

T.I.P. (Technical Information Package)

Number: 104

Subject: Cab Dolly

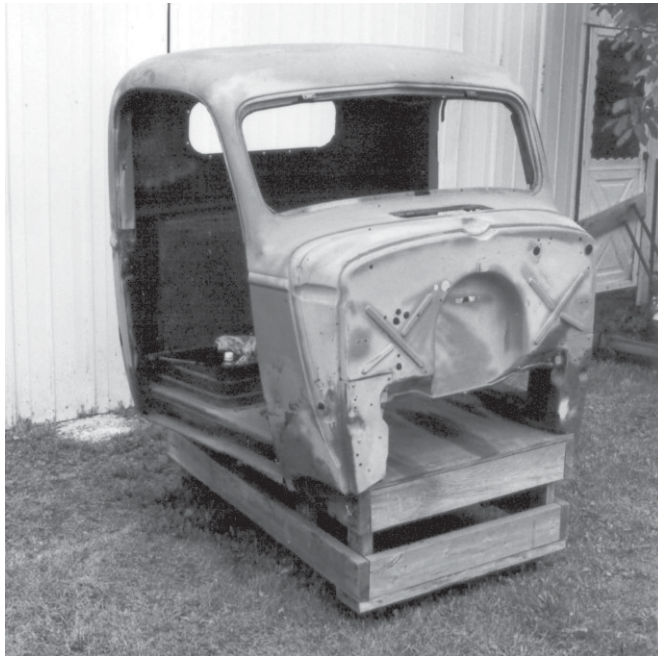
Model Year(s) Effected: Late 1930's—Mid 1940's

Model(s) Effected: Chevrolet® and GMC® Trucks

All information, illustrations and specifications are based on the best information available at the time of publication. The author cannot guarantee the accuracy of the information contained in this publication. Corrections are welcomed, and can be submitted to randy74@charter.net.

NOTE: This cab dolly was designed to be used with a late 1930's—mid 1940's Chevrolet® and GMC® trucks, but with modification, it may be adapted for use in other applications.

This cab dolly can be useful to support and move the cab while it is removed from the frame. It also provides a stable work platform for repairing the cab.



A410001A

Figure 1: Front View

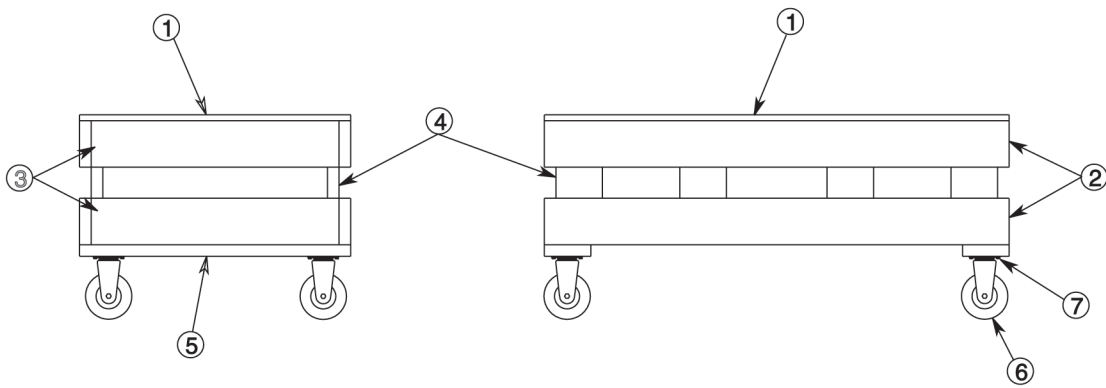
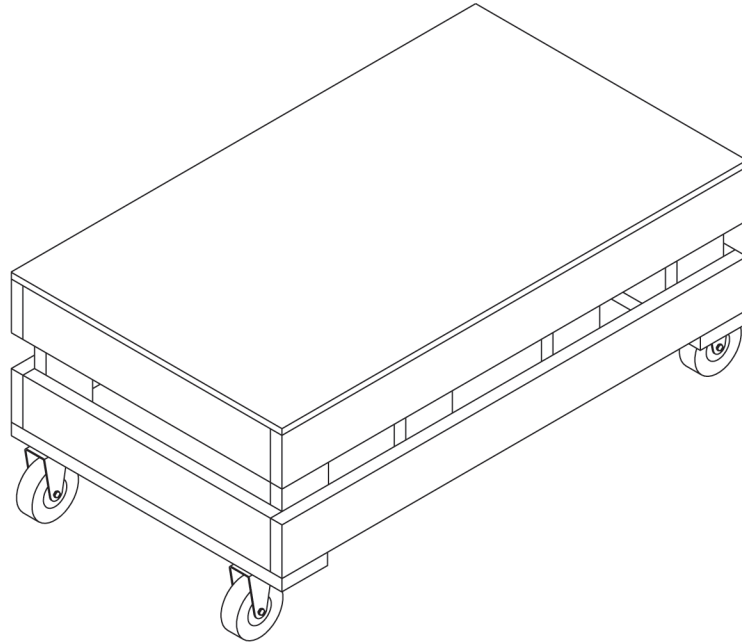


A410003A

Figure 2: Side/Rear View

Chevrolet is a registered trademark of the Chevrolet Motor Division of the General Motors Corporation.

GMC is a registered trademark of the GMC Truck Division of the General Motors Corporation.

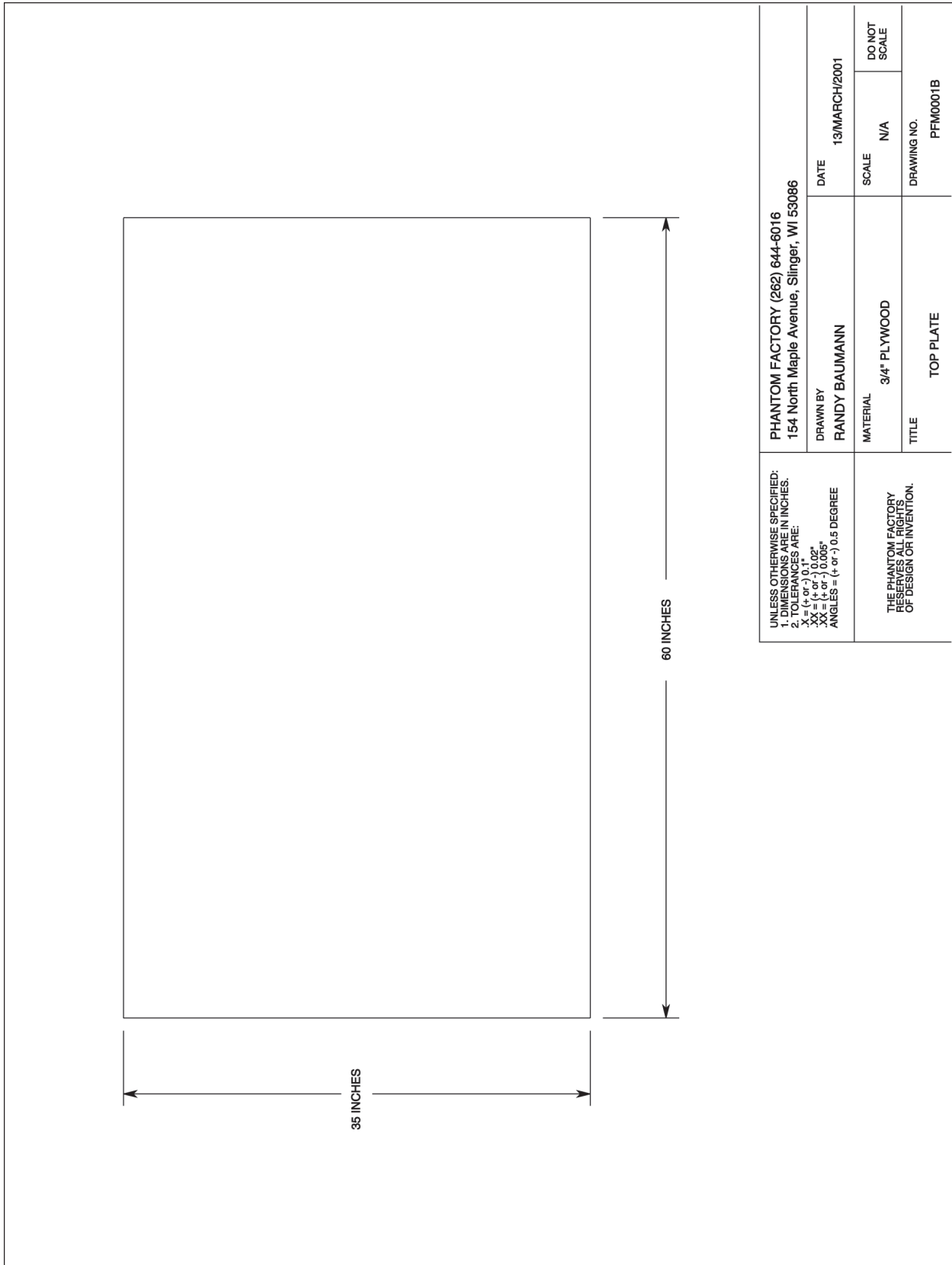


ASSEMBLE ALL PARTS USING NAILS, OR IF DESIRED BOLTS AND NUTS.
 PAINT OR FINISH AS DESIRED

ITEM	PART DESCRIPTION	PART No.	QTY.
1	TOP PLATE	PFM0001B	1
2	SIDE BOARD	PFM0001C	4
3	END BOARD	PFM0001D	4
4	SUPPORT BOARD	PFM0001E	8
5	BOTTOM BOARD	PFM0001F	2
6	6 INCH SWIVEL CASTERS	--	4
7	MISCELLANEOUS HARDWARE	--	A/R

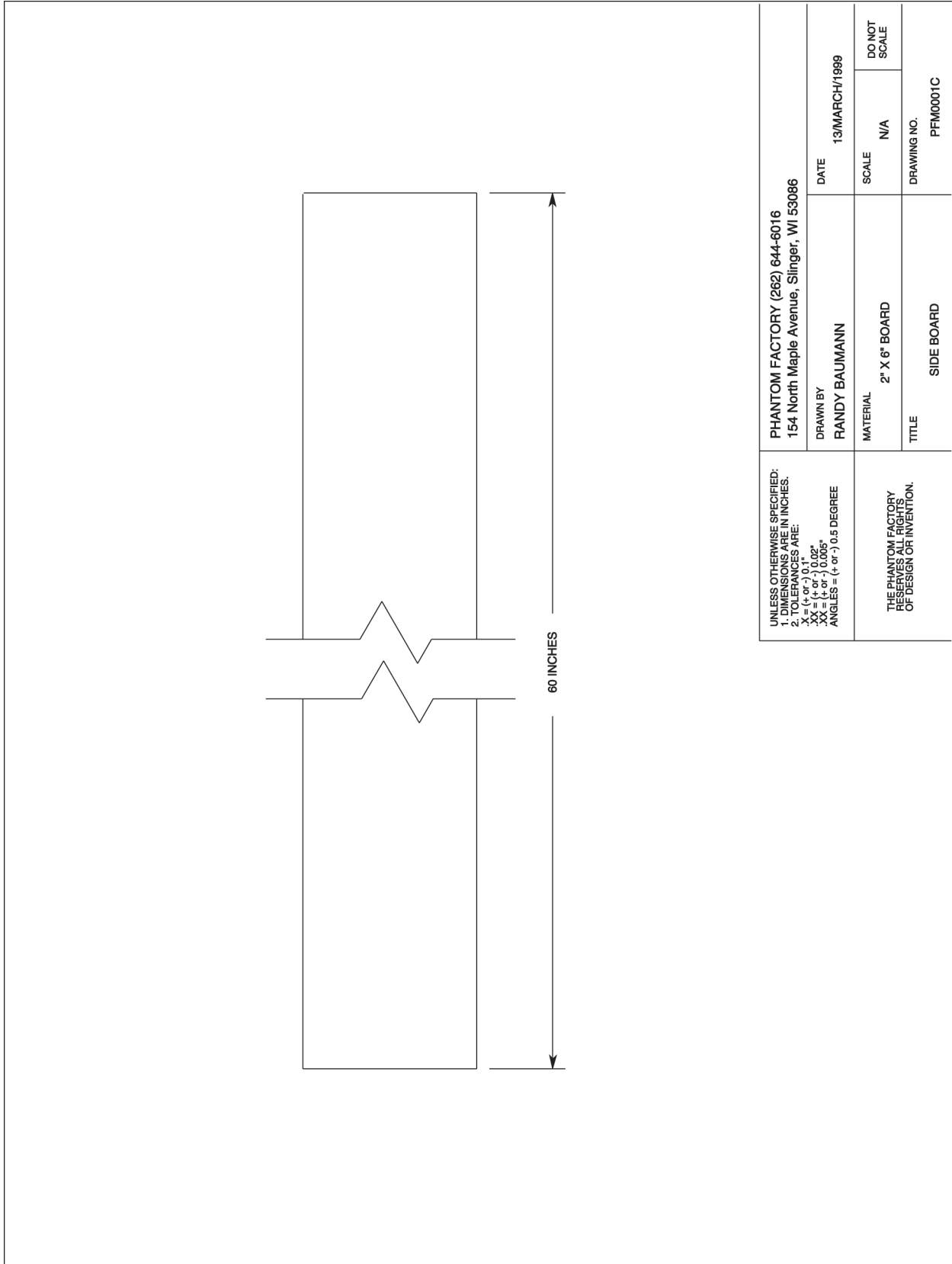
Figure 3: Assembly Drawing

CABDOLLY



PFM0001B

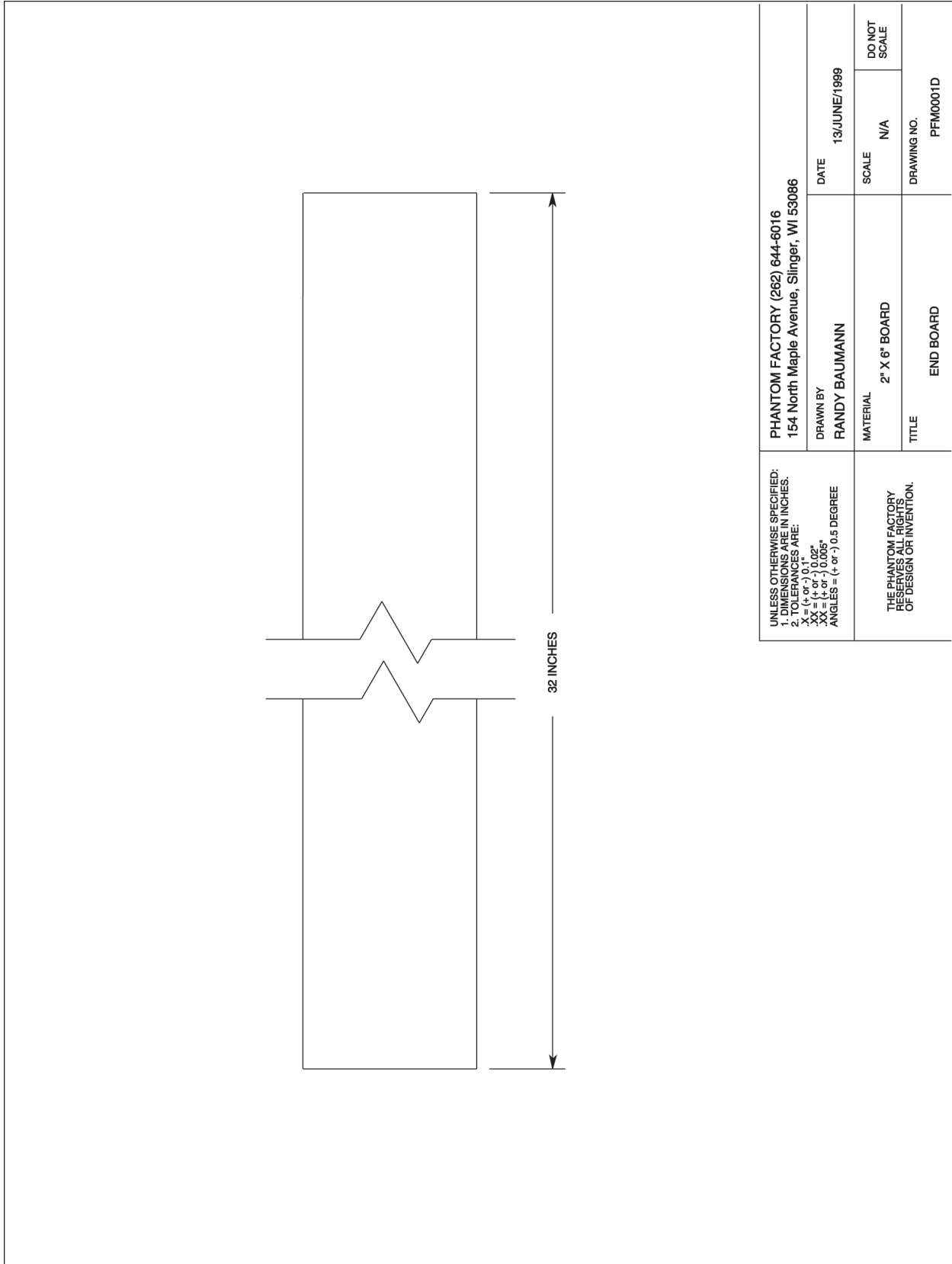
Figure 4: Top Plate



UNLESS OTHERWISE SPECIFIED: 1. DIMENSIONS ARE IN INCHES. 2. TOLERANCES ARE: X = (+ or -) 0.1 .XX = (+ or -) 0.02" .XX = (+ or -) 0.005" ANGLES = (+ or -) 0.5 DEGREE	PHANTOM FACTORY (262) 644-6016 154 North Maple Avenue, Slinger, WI 53086		DATE	13/MARCH/1999	
	DRAWN BY RANDY BAUMANN		SCALE	N/A	
THE PHANTOM FACTORY RESERVES ALL RIGHTS OF DESIGN OR INVENTION.	MATERIAL 2" X 6" BOARD		DO NOT SCALE		DRAWING NO. PFM0001C
	TITLE SIDE BOARD				

PFM0001C

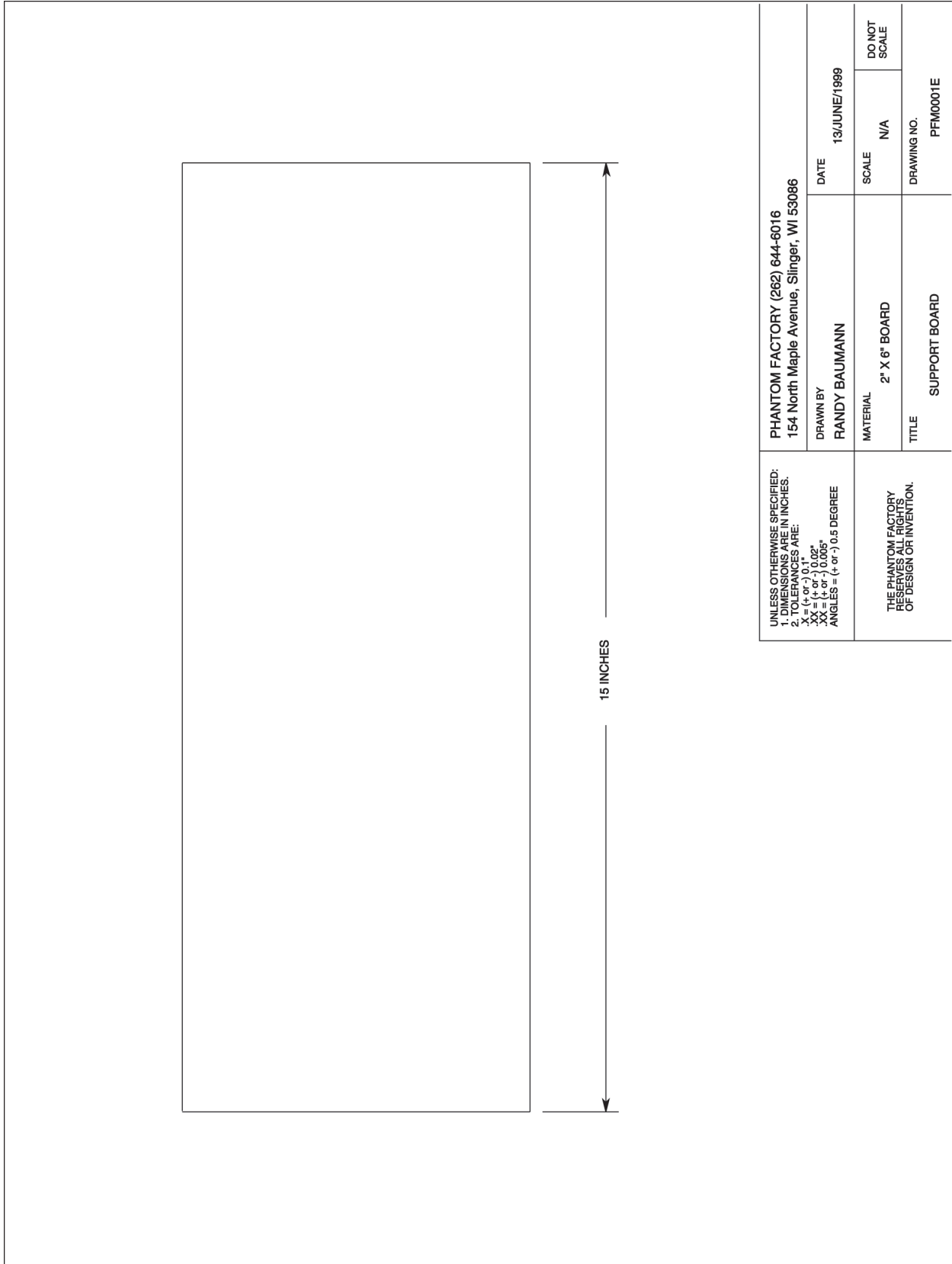
Figure 5: Side Board



UNLESS OTHERWISE SPECIFIED: 1. DIMENSIONS ARE IN INCHES. 2. TOLERANCES ARE: X = (+ or -) 0.1 .XX = (+ or -) 0.02" .XX = (+ or -) 0.005" ANGLES = (+ or -) 0.5 DEGREE	PHANTOM FACTORY (262) 644-6016 154 North Maple Avenue, Slinger, WI 53086		DATE	13/JUNE/1999	
	DRAWN BY RANDY BAUMANN		SCALE	N/A	
THE PHANTOM FACTORY RESERVES ALL RIGHTS OF DESIGN OR INVENTION.	MATERIAL 2" X 6" BOARD		DRAWING NO.		PFM0001D
	TITLE END BOARD				

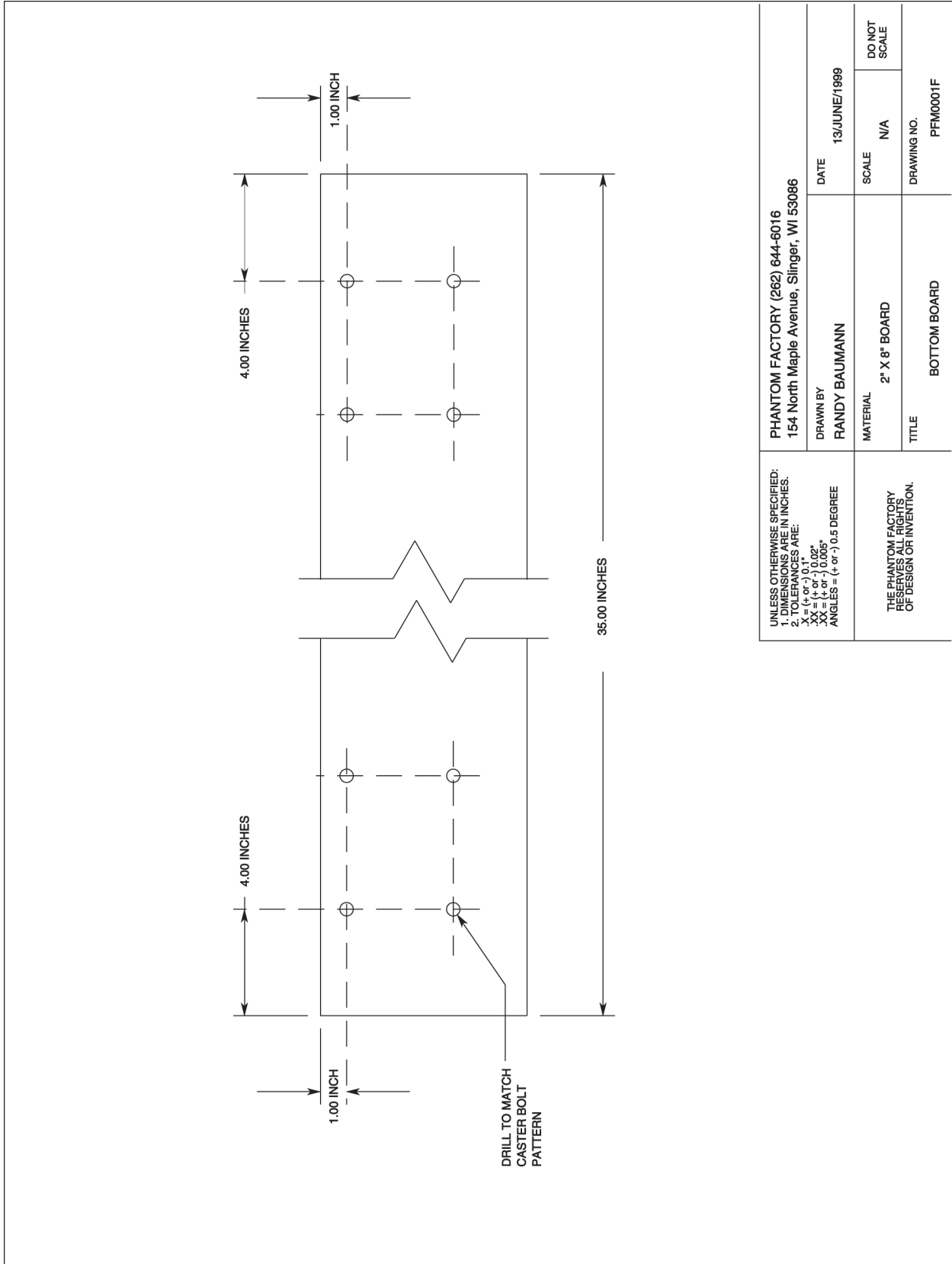
PFM0001D

Figure 6: End Board



PFM0001E

Figure 6: Support Board



PFM0001F

Figure 7: Bottom Board