



CHASSIS and BODY PARTS CATALOG

CHEVROLET

CORVETTE

EFFECTIVE JUNE, 1975

NOTE: This Thumb Index is for your convenience. How Index operates: bend book backwards to locate black block appearing on the first page of each group section. These blocks are in the same relative position on this Group Index.

1953-75 CORVETTE PARTS CATALOG

PRINTED IN ITS ENTIRETY
EFFECTIVE JUNE, 1975

PARTS ORDERS TO BE PLACED BY CHEVROLET DEALERS WITH GENERAL MOTORS PARTS DIVISION

WAREHOUSES CONVENIENTLY LOCATED AT THE FOLLOWING POINTS:

*Atlanta, Georgia	*Denver, Colo.	Louisville, Ky.	Omaha, Nebr.
*Baltimore, Md.	*Detroit, Mich.	▲Martinsburg, W. Va.	Philadelphia, Pa.
*Boston, Mass.	*#▲Flint, Mich.	Milwaukee, Wis.	Pittsburgh, Pa.
Buffalo, N.Y.	Houston, Texas	*Minneapolis, Minn.	*Portland, Oregon
*Chicago, Ill.	Indianapolis, Ind.	*Newark, N.J.	Richmond, Virginia
*Cincinnati, Ohio	*Jacksonville, Fla.	New Orleans, La.	▲*St. Louis, Mo.
Cleveland, Ohio	Kansas City, Mo.	*Oakland, Cal.	*Santa Fe Springs, Calif.
*Dallas, Texas	New York, N.Y.	Oklahoma City, Okla.	

*Master Warehouses

▲ Major Supply Depots.

Factory Warehouse.

All illustrations and specifications contained in this literature are based on the latest production information available at the time of publication approval. Chevrolet Motor Division reserves the right to make changes at any time without notice in colors, materials, equipment, specifications and models, and also to discontinue models.

The prices shown in this catalog, under the heading "List Prices" are suggested prices only.

GENERAL MOTORS PARTS DIVISION

GENERAL MOTORS CORPORATION
FLINT, MICHIGAN 48504

GM PARTS DIVISION, GENERAL MOTORS CORPORATION —CHEVROLET—14

INDEX

ALPHABETICAL
INDEX

ILLUSTRATION
INDEX

0.000
ENGINE—
CLUTCH

1.000
COOLANT—GRILLE—
OIL SYSTEM

2.000
CHASSIS—
ELECTRICAL SYSTEM

3.000
FUEL—EXHAUST—
CARBURETION

4.000
TRANSMISSION—
BRAKES

5.000
BRAKES—REAR
AXLE AND DRIVE

6.000
FRONT AXLE—
STEERING

7.000
FRAME—SPRINGS—
BUMPER

8.000
SHEET METAL
HEATER

9.000
BODY MTG.—AIR
COND.—INSTR.

10.000
WINDSHIELD
DOORS—CONTROLS

11.000
REAR GLASS
SEAT AND ADJUSTER

12.000
METAL TRIM—CLIPS
AND PANELS

13.000
BODY WIRING
FLDG. TOP TRIM

14.000
FLDG. TOP PARTS
INTERIOR TRIM

15.000
REAR TRIM—MATS
YARDAGE

ABBREVIATIONS

Abs.	Absorber	Custom	Custom Air Conditioner
A.C.	Automatic Choke	Cyl.	Cylinder
	Carburetor	2 cyc.	2 Cycle
A.C. Gen.	Alternating Current Generator	4 cyc.	4 Cycle
Acc.	Accessory		
Accel.	Accelerator	Dbl.	Double
A/Cl.	Air Cleaner	Defl.	Deflector
Adj.	Adjustable	Def.	Defroster
	Adjusting	Dev.	Developed
A.I.R.	Air Injection Reactor	Diaph.	Diaphragm
Air Equip.	Air Over Hydraulic Brake and Air Brake	Dia.	Diameter
Air/S	Air Suspension	Diff.	Differential
A.M.	Air Meter	Distr.	Distributor
Amp.	Ampere	Div.	Division
A.O.H.B.	Air Over Hydraulic Brake	Dr.	Door
A.R.	As Required	Drld.	Drilled
Assy.	Assembly	D-D,	
A.T.	All Automatic Transmissions	Dubl-Duti	Forward Control Chassis
Aux.	Auxiliary		
		Econ.	Economy
B-A	Bel Air	Emerg.	Emergency
Batt.	Battery	Eng.	Engine
Bind.	Binding	Equip.	Equipment
Blk.	Black	Escn.	Escutcheon
Brg.	Bearing	Exc.	Except
Brk.	Brake	Exch.	Exchange
Brkt.	Bracket	Exh.	Exhaust
Bpr.	Bumper	Expan.	Expansion
B.S.	Bucket Seats	Ext.	External
Bshg.	Bushing	Extn.	Extension
		E.E.C.	Evaporative Emission Control
		E.E.S.	Evaporative Emission System
C.A.C.	Car Air Conditioning (All Weather, 4 Season, Deluxe)	E.H.D.	Extra Heavy Duty
Cad.	Cadmiun		
C/Shaft	Camshaft	Fcg.	Facing
Carb.	Carburetor	F.C.	Forward Control
Carr.	Carrier	FFC	Flat Face Cowl
C.C.	Comfort and Convenience Equip.	F.I.	Fuel Injection
Ch.	Chassis	Fill.	Fillister
Chnl.	Channel	Flwhl.	Flywheel
Chr.	Chrome	Fltn.	Fleetline
Ck/C	Crankcase	Flex.	Flexible
Ck/Shaft	Crankshaft	Fig.	Flange
cl.	Clutch	Fldg.	Folding
C.T.C.	Continental Tire Carrier	F.M.	Fuel Meter
C'bore	Counterbore	Frgd.	Forged
C/Deluxe	Custom Deluxe Air Conditioner	Frt.	Front
C.O.E.	Cab Over Engine	4BC	4 Barrel Carburetor
Comb.	Combination	4WD	Four Wheel Drive
Comm.	Commercial		
Comp.	Compressor	Gal.	Gallon
Compt.	Compartment	Garn.	Garnish
Compr.	Compression	Gen.	Generator
Conn.	Connecting	Gov.	Governor
Conv.	Convertible	Gskt.	Gasket
CPE.	Coupe		
Cplg.	Coupling	H.D.	Heavy Duty
Ctr./S.	Countershaft	H/Per.	High Performance
C'sunk	Countersunk	Hex.	Hexagon
C.S.	Custom Sport Truck	Hdle.	Handle
Ctr.	Center	Hd.	Head
Cush.	Cushion	Hdng.	Headlining
		Hdip.	Headlamp
		H.D. A/CL.	Heavy Duty Air Cleaner

ABBREVIATIONS (Cont'd.)

H.D. Susp.	Heavy Duty Suspension
H.L.	High Lift
Hsg.	Housing
H.T.	Truck Hydrantic Transmission
Htr.	Heater
Hvy.	Heavy
Hy.	Hyatt
Hyd.	Hydraulic
ID	Inside Diameter
Ident.	Identification
Ign.	Ignition
Imit.	Imitation
Incl.	Includes
Ind.	Indicator
Inl.	Inlet
Instr.	Instrument
Ins.	Insulator
Int.	Internal Intake
Inter.	Intermediate
K/Pin	King Pin
Lea.	Leather
L.	Left
LCF	Low Cab Forward
L.C.I.	Low Cut-in
L.D.	Light Duty
L.H.	Left Hand
Lg.	Long
L.P. Gas	Liquid Petroleum Gas
Lwr.	Lower
Max.	Maximum
Mkd.	Marked
Mas.	Master
Matl.	Material
Mech.	Mechanical
Med.	Medium
Mbr.	Member
Min.	Minimum
Mfld.	Manifold
Mldg.	Moulding
Mtg.	Mounting
Mtr. Rod	Metering Rod
NB2.	Exhaust Emission Control (Calif. Only)
ND	New Departure
NL	Not Listed
No.	Number
NP	New Process
N.R.E.	Noise Reduction Exhaust
NSS	Not Serviced Separately
O.B.A.C.	Oil Bath Air Cleaner
O.C.	Oil Cooler
O.D.	Outside Diameter
O/D	Overdrive
OL	Overall Length
Oper.	Operating
Opg.	Opening
Ornam.	Ornament
OS	Oversize
O.S.R.V.	Outside Rear View

Pack	Packing
P.R.W.	Panoramic Rear Window
Pnl.	Panel
Pass.	Passenger
Park	Parkerized
P.B.	Power Brake
PDL	Pick-Up Delivery (El Camino)
P.G.	Powerglide
P/R	Pressure Regulator
P/S	Power Steering
Pit.	Pitman
Pkg.	Package
Pl.	Plain
Pltfm.	Platform
Press.	Pressure
Prop.	Propeller
Pt.	Part
P.T.	Powermatic Transmission or Allison Automatic
P/Trac.	Positraction
Qt.	Quart
Qtr.	Quarter
R.	Right
Rad.	Radiator
Rd.	Round
Recir.	Recirculating
Rect.	Rectangular
Reg.	Regulator
Reg. Prod.	Regular Production
Ret.	Retainer
R.H.	Right Hand
Rkr.	Rocker
Rnft.	Reinforcement
Roch.	Rochester
Rbr.	Rubber
Run/Bd.	Running Board
Rr.	Rear
R.S.	Rally Sport
SBC	School Bus Chassis
Sch. Bus Ch.	
Sed.	Sedan
SDL	Sedan Delivery
Serv.	Service
Sgl.	Single
Shk./Abs.	Shock Absorber
Shldr.	Shoulder
Slted.	Slotted
Spd.	Speed
Spec.	Special
Sp. H/Per.	Special High Performance
Speedo	Speedometer
Spg.	Spring
Sq.	Square
St. Steel	Stainless Steel
Staty.	Stationary
STA. WAG.	Station Wagon
Std.	Standard
Stmpd.	Stamped
Strg.	Steering
SUB	Suburban Carryall
Supt.	Support
Syncro	Synchronizing

ABBREVIATIONS (Cont'd.)

T.	Teeth	U/Pan	Underpan
Tach.	Tachometer	Upr.	Upper
TDM.	Tandem	Util.	Utility
Tel. W.	Telescopic Wheel		
Temp.	Temperature	Vac.	Vacuum
Ter.	Terminal	Vent.	Ventilator
T.G.	Turboglide		
T.H.	Turbo, Hydramatic	W.G.T.	Warner Gear Transmission
Thd.	Thread	W/	With
Therm.	Thermostat	W/A.C.	Automatic Choke
T. Ign.	Transistor Ignition	W/O	Without Carburetor
T.W.	Tilt Wheel	W/Pump	Water Pump
Trans.	Transmission	WB.	Wheelbase
2/B.C.	Two Barrel Carburetor	W/Cord.	Weathercord
3/2B.C.	Triple Two Barrel Carburetor	Whlhse.	Wheelhouse
Trf.	Transfer	Wind.	Window
Turbo.	Turbocharger	W/S	Windshield
		W/Strip	Weatherstrip
U-joint	Universal Joint	W/W	Windshield Washer
US	Undersize		
Univ.	Universal		

ALPHABETICAL INDEX

A

ABSORBER ASSY., Steering Shock Absorber	6.865
ABSORBER UNIT, Shock	7.345
ACTUATOR ASSY., Concealed Headlamp Control Drive	2.760
ACTUATOR ASSY., Heater Vacuum Actuating	8.850
ACTUATOR ASSY., Manifold Vacuum	3.145
ACTUATOR ASSY., Transmission Parking Brake	4.290
ACTUATOR ASSY., Transmission Parking Lock	4.220
ACTUATOR ASSY., Windshield Washer Access Door	10.130
ACTUATOR, Air Conditioning Vacuum Control	9.280
ACTUATOR, Air Flow	9.786
ACTUATOR, Cowl	9.789
ADAPTER, Air Flow	9.786
ADAPTER, Air Injection Reactor	3.675
ADAPTER ASSY., Air Cond. Evap. Air Distributor	9.262
ADAPTER ASSY., Crankcase	1.745
ADAPTER ASSY., Oil Filter	1.840
ADAPTER ASSY., Steering Gear Hydraulic	6.550
ADAPTER, Carburetor and Fuel Injection	3.890
ADAPTER, Engine Intake (exhaust manifold in group 3.601)	3.265
ADAPTER, Fittings Oil Pipe (Also See Group 8.963)	1.531
ADAPTER, Mast Jacket	6.521
ADAPTER, Speedometer	4.329
ADJUSTER ASSY., Front Seat	11.561
ADJUSTER ASSY., Steering Gear Housing End Cover Worm Bearing	6.830
ADJUSTER, Pitman Shaft	6.822
AMMETER, Electrical Output (see group 9.748 for tell tale windows)	2.515
AMPLIFIER, Ignition Pulse (Transistorized)	2.383
ANTI, Accelerator	3.451
ANTI, Radiator	1.175
ARM, Air Flow	9.786
ARM ASSY., Rear Axle Control	5.382
ARM ASSY., Windshield Wiper Motor Aux.	10.151
ARM ASSY., Windshield Wiper	10.147
ARM ASSY., Windshield Wiper	10.150
ARMATURE ASSY., Windshield Wiper	10.150
ARMATURE, Concealed Headlamp Control Drive	2.760
ARMATURE, Starting Motor	2.043
ARMATURE UNIT, Front Door Window	10.783
ARM, Carburetor Pump	3.845
ARM, Carburetor Throttle	3.762
ARM, Generator Brush	2.291
ARM, Pitman	6.859
ARM, Steering Knuckle Upper and Lower Control	6.168
ARM UNIT, Steering Knuckle	6.103
ARM, Valve Rocker, with Adjusting Screw and Nut	0.333
ARRESTOR, Crankcase	1.745

B

BAFFLE, A/C Electric Temperature and Blower Motor Control	9.275
BAFFLE, Air Conditioning Evaporator By-Pass	9.198
BAFFLE, Air Conditioning Evaporator	9.210
BAFFLE, Air Flow	9.786
BAFFLE, Carburetor and Fuel Meter Fuel Inlet	3.740
BAFFLE, Carburetor to Manifold	3.726
BAFFLE, Carburetor Idle Vapor Vent.	3.852
BAFFLE, Crankcase Ventilator Tube	1.750
BAFFLE, Manifold	3.602
BAFFLE, Oil Pan Upper	1.430
BAFFLE, Radiator Grille	1.272
BAFFLE, Rear Quarter Side Inner	12.941

BAFFLE, Transmission Case	4.105
BAG ASSY., Corvette Top Roof Outer	12.810
BAIL, Fuel Pump	3.903
BAIL, Main Cylinder Filler	4.651
BALANCER, Crankshaft	0.659
BALL, Air Conditioning Compressor (Internal)	9.172
BALL, Carburetor Pump Inlet Valve	3.826
BALL, Carburetor Pump Outlet Valve	3.825
BALL, Gas Tank Filler Neck Compartment	12.945
BALL, Gearshift Detent	4.311
BALL, Steering Gear	6.844
BALL, Trailer	7.068
BALL, Valve Push Rod Adjusting	0.429
BAND ASSY., Transmission Brake	4.251
BAR, Bumper Face Rear	7.831A
BAR, Bumper Face Front	7.831
BAR, Carburetor Throttle	3.762
BAR, License Plate	7.800
BAR, Radiator Grille	1.268
BAR UNIT, Front and Rear Bumper Shock	7.840
BASE ASSY., Air Cleaner Oil	3.406
BEARING, Air Conditioning Compressor (Internal)	9.172
BEARING, Air Conditioning Compressor Pulley	9.181
BEARING, Air Injection Reactor Pump	3.665
BEARING ASSY., Directional Signal Lamp (See Group 9.748 tell tale windows)	2.895
BEARING ASSY., Distributor Mainshaft	2.375
BEARING ASSY., Drive Pinion-Front	5.447
BEARING ASSY., Front Wheel Inner	6.311
BEARING ASSY., Front Wheel Outer	6.313
BEARING ASSY., Generator Commutator or Rotor Slip Ring End Frame	2.298
BEARING ASSY., Idler Pulley	4.850
BEARING ASSY., Low Sun Gear and Clutch	4.162
BEARING ASSY., Mast Jacket	6.521
BEARING ASSY., Planet Carrier	4.176
BEARING ASSY., Rear Axle 'U' Joint	5.428
BEARING ASSY., Rear Wheel	5.855
BEARING ASSY., Steering Idler and Third Arm Shaft	6.181
BEARING ASSY., Steering Shaft U-Joint	6.525
BEARING ASSY., Drive Pinion Rear	5.484
BEARING, Camshaft (Center and Rear Intermediate)	0.546
BEARING, Camshaft (Front or No. 1)	0.539
BEARING, Camshaft No. 2 (Front Intermediate)	0.543
BEARING, Camshaft Rear	0.549
BEARING, Camshaft Thrust	0.533
BEARING, Clutch throwout with Collar	0.799
BEARING, Concealed Headlamp Control Drive	2.760
BEARING, Concealed Headlamp Control Opening Cover	2.765
BEARING, Crankshaft Clutch Pilot	0.649
BEARING, Differential Side	5.536
BEARING, Front Door Ventilator	10.661
BEARING, Generator Drive End	2.306
BEARING, Idler Arm	1.060
BEARING, King Pin Thrust	6.210
BEARING, Oil Pump	4.203
BEARING, Pitman Shaft	6.786
BEARING, Steering Worm Thrust	6.835
BEARING, Transmission Main Drive Gear (Ball)	4.355
BEARING, Transmission Main Shaft Front Pilot to Main Drive Gear	4.352
BEARING, Transmission Main Shaft Rear	4.408
BEARING, Transmission Reverse Idler Gear Thrust	4.437
BEARING, Transmission Shaft and 2nd Speed Gear Thrust	4.398
BEARING UNIT, Connecting Rod (1 Upper and 1 Lower)	0.616
BEARING UNIT, Crankshaft Center (1 Upper and 1 Lower)	0.101
BEARING UNIT, Crankshaft Front (1 Upper and 1 Lower)	0.096
BEARING UNIT, Crankshaft Front Intermediate (1 Upper and 1 Lower)	0.099

ALPHABETICAL INDEX

BEARING UNIT, Crankshaft Rear (1 Upper and 1 Lower).....	0.106	BOLT, Differential Carrier Cap.....	5.506
BEARING UNIT, Crankshaft Rear Intermediate (1 Upper and 1 Lower).....	0.103	BOLT, Door Hinge to Hinge Pillar.....	10.463
BEARING UNIT, Transmission Rear Unit.....	4.187	BOLT, Door Window Regulator Manual or Electric.....	10.792
BEARING UNIT, Transmission Sun Gear and Parts.....	4.159	BOLT, Engine (Attaches to frame side rails)...	7.011
BEARING, Universal Joint Yoke Trunnion.....	5.566	BOLT, Engine Mounting (Small Attaching).....	0.002
BEARING, Vacuum Power Brake Cylinder Piston.....	4.924	BOLT, Flange Plate.....	5.002
BELLOWS, Windshield Washer.....	10.153	BOLT, Flywheel to Crankshaft.....	0.669
BELT ASSY., Seat and Shoulder.....	14.875	BOLT, Flywheel.....	0.679
BELT, Fan, Gen. and Accessory Drive.....	1.066	BOLT, Folding Top Compartment Lid.....	12.242A
BELT, Steering Gear Hydraulic Pump Drive.....	6.660	BOLT, Folding Top Compartment.....	12.170
BEZEL, Antenna.....	9.647	BOLT, Folding Top Front Roof Rail.....	14.080
BEZEL ASSY., Air Cond. Evap. Air Distributor.....	9.262	BOLT, Front and Rear Bumper Shock.....	7.840
BEZEL ASSY., Rear Compartment Floor.....	12.981	BOLT, Front or Rear Bumper Bar Mounting and Attaching.....	7.874
BEZEL, Door Outside Handle.....	10.536	BOLT, Front Door Window.....	10.783
BEZEL, Emergency and Safety.....	2.575	BOLT, Front Fender Moulding.....	8.133
BEZEL, Fiber Optic Conductor.....	2.583	BOLT, Fuel Tank Strap.....	3.023
BEZEL, Gas Tank Filler Neck Compartment.....	12.945	BOLT, Generator (See 2.317 for Brace).....	2.277
BEZEL, Headlamp (rim or door).....	2.728	BOLT, Generator Through.....	2.316
BEZEL, Heater.....	8.852	BOLT, Generator.....	2.313
BEZEL, Hood (Also See Group 1.303).....	8.055	BOLT, Hardtop.....	13.346A
BEZEL, Ignition Lock.....	2.198	BOLT, Harmonic Balancer and Crankshaft Pulley.....	0.662
BEZEL, Instrument.....	9.743	BOLT, Hood Upper Lock Plate.....	8.085
BEZEL, License Plate.....	7.800	BOLT, Hub or Drum (Front and Rear Wheel)...	5.812
BEZEL, Lighting Switch Rod.....	2.487	BOLT, Low Sun Gear and Clutch.....	4.162
BEZEL, Muffler Tail.....	3.705	BOLT, Main Cylinder Outlet Fitting.....	4.661
BEZEL, Radio Instrument Panel.....	10.256	BOLT, Manifold (also see groups 3.288 manifold to carb., 3.613 manifold to exh. pipe, and 8.981).....	3.275
BEZEL, Rear Compartment Lid and Rear End Panel.....	12.182	BOLT, Manifold.....	3.602
BEZEL, Tail and Stop Lamp.....	2.689	BOLT, Oil.....	1.652
BINDING, Corvette Luggage Compartment and Wheelhouse Carpet.....	15.294	BOLT, Oil Filter.....	1.840
BLADDER ASSY., Fuel.....	3.001	BOLT, Oil Pan Attaching, with Lockwasher...	1.428
BLADE ASSY., Fan.....	1.064	BOLT, Oil Pan Pump Suction.....	4.197
BLADE, Windshield Wiper.....	10.146	BOLT, Oil Pump.....	4.203
BLOCK ASSEMBLY, Cylinder.....	0.033	BOLT, Parking Brake Lever Anchor.....	5.158
BLOCK ASSY., Battery to Starter Switch, with Terminals (Insulated).....	2.342	BOLT, Parking Brake.....	4.765
BOARD ASSY., Windshield Wiper.....	10.150	BOLT, Quarter Window Reveal Midg.....	11.032
BOARD UNIT, Windshield Washer.....	10.153	BOLT, Rear Axle 'U' Joint.....	5.428
BODY ASSEMBLY (Painted and trimmed with all hardware, less instruments supplied during production year).....	10.001	BOLT, Rear Axle Control Arm.....	5.383
BODY ASSY., Air Conditioning less Clutch.....	9.170	BOLT, Rear Axle Shaft Bearing.....	5.816
BODY ASSY., Carburetor Air Valve.....	3.757	BOLT, Rear Axle.....	5.387
BODY ASSY., Carburetor Float.....	3.734	BOLT, Rear Spring.....	7.529
BODY ASSY., Carburetor.....	3.729	BOLT, (Rebuilt by General Motors), Transmission.....	4.115
BODY ASSY., Rear View.....	10.185	BOLT, Shock Absorber.....	7.380
BODY ASSY., Transmission Main Valve.....	4.216	BOLT, Spring Center (Front and Rear).....	7.506
BODY ASSY., Transmission.....	4.256	BOLT, Stabilizer.....	7.240
BODY, Instrument.....	9.743	BOLT, Starting Motor (Internal).....	2.077
BODY, Oil Filter.....	1.837	BOLT, Starting Motor to Engine Attaching.....	2.042
BODY, Vacuum Power Brake Cylinder.....	4.922	BOLT, Steering Column Lock Bolt.....	6.500
BOLT, Air Conditioning Compressor Mounting.....	9.171	BOLT, Steering Column.....	6.760
BOLT, Air Injection Reactor Pump Mounting.....	3.655	BOLT, Steering Gear to Frame.....	6.509
BOLT ASSY., Clutch Release Lever.....	0.873	BOLT, Steering Gear Hydraulic Pump Mounting.....	6.606
BOLT ASSY., Rear Door and Quarter Moulding.....	12.118A	BOLT, Steering Idler Third Arm.....	6.186
BOLT ASSY., Seat Back.....	11.381	BOLT, Steering Knuckle Arm.....	6.104
BOLT, Back Window Glass Reveal Moulding.....	11.209	BOLT, Steering Knuckle Lower Control Arm Attaching.....	6.172
BOLT, Battery Hanger Clamp.....	2.334	BOLT, Steering Knuckle Lower Control Arm Pivot.....	6.174
BOLT, Belt Assy. and Strap Unit.....	14.875A	BOLT, Steering Knuckle Upper Control Arm..	6.178
BOLT, Brake Connector.....	4.671	BOLT, Steering Shaft U-Joint.....	6.525
BOLT, Brake Cyl. and Pedal Shaft (Also see group 0.847 for pedal shaft bracket).....	4.648	BOLT, Steering Shock Absorber.....	6.865
BOLT, Brake Shoe Anchor Pin.....	5.056	BOLT, Trans.....	4.115A
BOLT, Camshaft Sprocket.....	0.738	BOLT, Transmission Case.....	4.104
BOLT, Carburetor Body.....	3.741	BOLT, Transmission Main Valve Body.....	4.217
BOLT, Clutch Cover and Pressure Plate.....	0.862	BOLT, Transmission Rear Main Bearing.....	4.319
BOLT, Clutch Pedal Adjusting.....	0.841	BOLT UNIT, Battery Cable.....	2.343
BOLT, Clutch Pressure Plate.....	0.864	BOLT, Valve Rocker Cover and Support (Also See Group 0.366).....	0.413
BOLT, Concealed Headlamp Control Drive.....	2.760	BOLT, Wheel Brake (Also see Group 4.667)...	4.665
BOLT, Connecting Rod Bearing Cap.....	0.623	BOLT, Wheel Carrier.....	7.632
BOLT, Connecting Rod Clamp.....	0.609	BOLT, Windshield Washer Access Door.....	10.130
BOLT, Coolant Pump.....	1.073	BOLT, Windshield Wiper.....	10.150
BOLT, Crankcase Front End.....	0.206	BOLT, 'U' Joint Trunnion and Yoke.....	5.586
BOLT, Crankshaft Bearing Cap.....	0.056	BONDING STRIP, Body Rear End (plastic laminate).....	12.986
BOLT, Cylinder Head.....	0.293	BONDING STRIP, Front Fender.....	8.141
BOLT, Differential and Planet.....	5.510	BONDING STRIP, Radiator.....	1.263
		BONDING STRIP, Rear Compartment Floor.....	12.981
		BOOSTER ASSY., Vacuum Power Brake.....	4.901

ALPHABETICAL INDEX

BOOSTER UNIT, Trans. Oil Control.....	4.265	BRACKET, Clutch (For COVERS See Group	0.829
BOOT, Accelerator Rod Linkage.....	3.469	4.630).....	0.846
BOOT, Auto.....	8.820	BRACKET, Clutch Pedal Pull Back Spring.....	0.852
BOOT, Belt Assy. and Strap Unit.....	14.875A	BRACKET, Clutch Pedal, Intermediate (See	0.852
BOOT, Clutch Fork.....	0.797	Group 4.648 for brake).....	2.760
BOOT, Instrument Case.....	9.744	BRACKET, Concealed Headlamp Control	2.765
BOOT, Lever Hand (Floor Mounted).....	4.015	Drive.....	2.755
BOOT, Main Cylinder (Rubber).....	4.659	BRACKET, Concealed Headlamp Control	12.804A
BOOT, Tachometer.....	9.750	Opening Cover.....	12.810
BOOT, Wheel Cylinder.....	4.670	BRACKET, Concealed Headlamp Motor.....	9.789
BOOT, Windshield Washer Access Door.....	10.130	BRACKET, Corvette Front Top Panel.....	1.762
BOW ASSY., Roof.....	12.952	BRACKET, Corvette Top Roof Outer.....	7.039
BOW, Folding Top-Rear.....	14.340	BRACKET, Cowl.....	5.500
BOWL, Carburetor and Fuel Injection.....	3.890	BRACKET, Crankcase Ventilator-Outer.....	2.393
BOWL, Carburetor Float.....	3.734	BRACKET, Crossmember.....	11.927
BOX, Instrument Panel Compartment.....	10.260	BRACKET, Differential Carrier Mounting.....	10.569
BRACE, Air Conditioning Compressor		BRACKET, Distributor with Bracket and	10.716
Mounting.....	9.171	Lead.....	2.575
BRACE, Air Injection Reactor Pump		BRACKET, Dome Lamp.....	0.029
Mounting.....	3.655	BRACKET, Door Lock.....	12.980
BRACE ASSY., Instrument Panel to Dash.....	10.230	BRACKET, Door Window.....	14.050
BRACE ASSY., Rear Compartment Floor.....	12.981	BRACKET, Door Window.....	14.310
BRACE, Bumper Guard Mounting.....	7.829	BRACKET, Front and Rear Bumper.....	7.869
BRACE, Cowl Side.....	12.804	BRACKET, Front Body Hinge.....	12.840
BRACE, Crossmember.....	7.039	BRACKET, Front Door Window.....	10.783
BRACE, Front Body Hinge.....	12.840	BRACKET, Front Fender.....	8.141
BRACE, Front Frame to Bumper Attaching		BRACKET, Front Frame to Bumper Attaching	7.836
(Also See Group 7.869).....	7.836	(Also See Group 7.869).....	11.561
BRACE, Generator (Bracket listed in Group		BRACKET, Front Seat.....	3.314
2.277).....	2.317	BRACKET, Fuel or Air Meter.....	3.162
BRACE, Radiator Grille.....	1.267	BRACKET, Fuel Feed Pipe.....	4.010
BRACE, Rear Frame to Bumper Attaching		BRACKET, Generator (See 2.317 for Brace)...	2.277
(Also See Group 7.869).....	7.836A	BRACKET, Hardtop.....	13.346A
BRACE, Seat Separator.....	10.240	BRACKET, Headlamp Beam Adjusting.....	2.737
BRACE, Starting Motor to Engine Attaching ..	2.042	BRACKET, Heater (See Group 1.166 for	8.846
BRACE, Steering Column.....	6.760	Clamps).....	8.857
BRACE, Steering Gear Hydraulic Pump		BRACKET, Heater.....	8.866
Mounting.....	6.606	BRACKET, Hot Water.....	8.845
BRACKET, Accelerator Pull Back.....	3.459	BRACKET, Hydraulic Steering Cylinder.....	6.575
BRACKET, Accelerator.....	3.454	BRACKET, Hydraulic Steering Pump Hose.....	6.672
BRACKET, Air Cond. Evap. Air Distributor.....	9.262	BRACKET, Ignition Coil Mounting.....	2.183
BRACKET, Air Conditioning Compressor		BRACKET, Ignition Pulse (Transistorized).....	2.383
Mounting.....	9.171	BRACKET, Ignition Switch Warning and	2.195
BRACKET, Air Conditioning Evaporator By-		Theft Alarm.....	9.744
Pass Valve.....	9.199	BRACKET, Instrument Case.....	10.260
BRACKET, Air Conditioning Evaporator By-		BRACKET, Instrument Panel Compartment....	7.800
Pass.....	9.198	BRACKET, License Plate.....	3.602
BRACKET, Air Conditioning Refrigerant.....	9.190	BRACKET, Manifold.....	6.518
BRACKET, Air Conditioning Refrigerant.....	9.196	BRACKET, Mast (Also see group 6.803).....	3.706
BRACKET, Air Duct Intake (Outside Air).....	9.784	BRACKET, Muffler Tail Pipe.....	3.704
BRACKET, Air Flow Control with Tube.....	9.787	BRACKET, Muffler.....	1.803
BRACKET, Air Flow.....	9.786	BRACKET, Oil Pressure.....	4.785
BRACKET, Air Injection Reactor Pump		BRACKET, Parking Brake Cable.....	1.287
Mounting.....	3.655	BRACKET, Radiator and Grille Filler.....	1.270
BRACKET, Air Injection Reactor.....	3.670	BRACKET, Radiator Core.....	1.277
BRACKET ASSY., Battery Cable.....	2.343	BRACKET, Radiator Fan.....	1.267
BRACKET ASSY., Brake Pedal.....	4.634	BRACKET, Radiator.....	1.219
BRACKET ASSY., Brake Press Ind.....	4.874	BRACKET, Radio and Stereo Mounting.....	9.667
BRACKET ASSY., Carburetor.....	3.755	BRACKET, Rear Axle Control Arm.....	5.380
BRACKET ASSY., Engine (Attaches to frame		BRACKET, Rear Axle Rebound.....	5.390
side rails).....	7.011	BRACKET, Rear Axle Tie Rod.....	5.418
BRACKET ASSY., Front Body Hinge.....	12.840	BRACKET, Rear Brake Pressure Regulator.....	4.690
BRACKET ASSY., Gearshift Hand Lever.....	4.010	BRACKET, Rear Compartment Floor.....	12.981
BRACKET ASSY., Hood Panel.....	8.015	BRACKET, Rear Quarter Trim.....	15.100
BRACKET ASSY., Hood Upper Lock Plate.....	8.085	BRACKET, Rear View Mirror.....	10.186
BRACKET ASSY., Lock Parts, Folding and		BRACKET, Rear Window.....	9.778
Hardtop.....	14.080A	BRACKET, Seat Back Lock.....	11.390
BRACKET ASSY., Rear Compartment Floor....	12.981	BRACKET, Seat Headrest.....	11.376
BRACKET ASSY., Steering Idler Third Arm....	6.186	BRACKET, Seat Separator.....	10.240
BRACKET, Automatic Choke Control.....	3.750	BRACKET, Shock Absorber Frame.....	7.395
BRACKET, Back-Up.....	2.698	BRACKET, Shock Absorber.....	7.380
BRACKET, Belt Assy. and Strap Unit.....	14.875A	BRACKET, Spare Wheel Strap.....	7.751
BRACKET, Body Sill Moulding.....	8.309	BRACKET, Speedometer and Odometer	9.761
BRACKET, Body.....	7.330	(Miles).....	7.242
BRACKET, Brake Flange Front.....	5.001	BRACKET, Stabilizer Shaft.....	6.760
BRACKET, Brake Flange Rear.....	5.001A	BRACKET, Steering Column.....	
BRACKET, Brake Hose or Pipe.....	4.681		
BRACKET, Carburetor and Fuel Injection.....	3.890		
BRACKET, Carburetor and Fuel Meter Intake			
(with Seat and Gasket).....	3.814		
BRACKET, Carburetor Choke Tube.....	3.733		
BRACKET, Carburetor Throttle Return Check			
BRACKET, Carburetor Vacuum.....	3.444		
	3.765		

ALPHABETICAL INDEX

BRACKET, Steering Gear Hydraulic Pump Mounting.....	6.806	BUSHING, Concealed Headlamp Control Opening Cover.....	2.765
BRACKET, Steering Shock Absorber.....	6.865	BUSHING, Distributor Housing.....	2.363
BRACKET, Stop Lamp.....	2.447	BUSHING, Distributor Terminal.....	2.401
BRACKET, Transmission Control Lock Cable.....	4.070	BUSHING, Door Hinge.....	10.464
BRACKET, Transmission Control Safety.....	4.054	BUSHING, Door Window Regulator Manual or Electric.....	10.792
BRACKET, Transmission Control Switch.....	4.060	BUSHING, Exhaust Manifold.....	3.647
BRACKET, Transmission Gearshift Control Cable.....	4.047	BUSHING, Folding Top Compartment.....	12.170
BRACKET, Transmission Gearshift Shaft or Tube (Lower).....	4.030	BUSHING, Folding Top Motor and Pump.....	14.482
BRACKET, Transmission Mounting.....	4.083	BUSHING, Folding Top Side Roof Rail.....	14.160
BRACKET, Transmission Parking Brake.....	4.290	BUSHING, Folding Top-Rear.....	14.340
BRACKET, Transmission Parking Lock.....	4.220	BUSHING, Forward Cone Freewheel.....	4.168
BRACKET, Windshield Garnish Moulding.....	10.056	BUSHING, Front Door Window Glass Lower Sash.....	10.685
BRACKET, Windshield Reveal Moulding.....	10.096	BUSHING, Gas Tank Filler Neck Compartment.....	12.945
BRACKET, Windshield Washer Access Door.....	10.130	BUSHING, Gearshift Control Hand Lever.....	4.008
BRACKET, Windshield Washer.....	10.153	BUSHING, Gearshift Rod to Lever.....	4.037
BRACKET, Windshield Wiper.....	10.150	BUSHING, Generator (See 2.317 for Brace).....	2.277
BRACKET, Windshield Wiper.....	10.154	BUSHING, Heater.....	8.852
BRACKET, Windshield Wiper.....	10.163	BUSHING, Low Sun Gear and Clutch.....	4.162
BREAKER ASSY., Lighting.....	2.485	BUSHING, Oil Pressure.....	1.803
BREAKER, Headlamp, with Wire.....	2.750	BUSHING, Oil Pump.....	4.203
BREATHER ASSY., Air Cleaner.....	3.410	BUSHING, Pitman Shaft.....	6.786
BRIDGE, Generator (Current Regulator Listed in Group 2.500).....	2.319	BUSHING, Planet Carrier.....	4.176
BRUSH.....	2.051	BUSHING, Rear Compartment Floor.....	12.981
BRUSH ASSY., Horn Button and Blowing Ring.....	2.819	BUSHING, Rear Spring Eye.....	7.504
BRUSH ASSY., Windshield Wiper.....	10.150	BUSHING, Rear Spring.....	7.524
BRUSH, Concealed Headlamp Control Drive.....	2.760	BUSHING, Rear View Mirror.....	10.186
BRUSH, Distributor Cap Retainer.....	2.368	BUSHING, Side Door Window.....	11.007
BRUSH, Front Door Window.....	10.783	BUSHING, Side Seat Hinge Arm.....	11.375
BRUSH, Generator.....	2.285	BUSHING, Stabilizer Shaft.....	7.243
BUMPER ASSY., Bumper Face Rear.....	7.831A	BUSHING, Starting Motor End.....	2.083
BUMPER ASSY., Mast (Also see group 6.803).....	6.518	BUSHING, Steering Knuckle King Pin.....	6.021
BUMPER ASSY., Windshield Washer Access Door.....	10.130	BUSHING, Steering Knuckle Lower Control Arm Shaft.....	6.170
BUMPER, Back Window Glass Reveal Moulding.....	11.209	BUSHING, Steering Knuckle Upper Control Arm.....	6.164
BUMPER, Bumper Sheet Metal.....	7.833	BUSHING, Throttle Control Rod.....	3.425
BUMPER, Bumper.....	7.865	BUSHING, Transmission Case.....	4.104
BUMPER, Clutch (For COVERS See Group 4.630).....	0.829	BUSHING, Transmission Clutch.....	4.169
BUMPER, Directional Signal Lamp (See Group 9.748 tell tale windows).....	2.895	BUSHING, Transmission Control Safety.....	4.054
BUMPER, Door Window Glass Roller.....	10.726	BUSHING, Transmission Front Servo.....	4.226
BUMPER, Door Window Regulator Manual or Electric.....	10.792	BUSHING, Transmission Planet.....	4.161
BUMPER, Door Window.....	10.716	BUSHING, Transmission Rear Main Bearing.....	4.319
BUMPER, Floor (less rear compartment floor pan).....	12.980	BUSHING, Windshield Reveal.....	10.093
BUMPER, Folding Top Compartment.....	12.170	BUSHING, Windshield Washer Access Door.....	10.130
BUMPER, Gas Tank Filler Neck Compartment.....	12.945	BUSHING, Windshield Wiper.....	10.163
BUMPER, Hardtop.....	13.346A	BUTTON, Distributor.....	2.381
BUMPER, Hood.....	8.024	BUTTON, Door Handle Push Button.....	10.529
BUMPER, License Plate.....	7.800	BUTTON, Filter Seat Belt, Check Doors and Low Fuel Warning Lights.....	9.765
BUMPER, Lock Parts, Folding and Hardtop.....	14.080A	BUTTON, Gearshift Control (Hand).....	4.006
BUMPER, Rear Axle.....	5.395	BUTTON, Horn Blowing.....	2.820
BUMPER, Rear Compartment Floor.....	12.981	BUTTON, Seat Back Lock.....	11.390
BUMPER, Rear Spring.....	7.535	BUZZER ASSY., Headlamp Warning.....	2.461
BUMPER, Seat Back Lock.....	11.390	BUZZER ASSY., Ignition Switch Warning and Theft Alarm.....	2.195
BUMPER, Seat Back.....	11.381	BUZZER ASSY., Lighting.....	2.485
BUMPER, Seat Separator.....	10.242	BUZZER ASSY., Speed Indicator.....	9.762
BUMPER, Side Door.....	10.587	BUZZER, Belt Assy. and Strap Unit.....	14.875A
BUMPER, Steering Knuckle Upper and Lower Control Arm.....	6.176		
BUMPER, Tilt or Tel. Steering Column.....	6.514		
BUMPER, Vacuum Power Brake Cylinder Air Valve.....	4.918		
BUSHING, Air Conditioning Compressor (Internal).....	9.172		
BUSHING ASSY., Rear Axle Control Arm.....	5.381		
BUSHING ASSY., Rear Axle.....	5.417		
BUSHING, Brake Pedal.....	4.626		
BUSHING, Bumper.....	7.865		
BUSHING, Carburetor Throttle.....	3.762		
BUSHING, Carburetor.....	3.729		
BUSHING, Clutch Pedal (see group 4.626 for brake pedal bushing).....	0.831		
BUSHING, Clutch Pedal Intermediate Lever Shaft Ball.....	0.851		

C

CABLE ASSY., Antenna.....	9.647
CABLE ASSY., Air Flow Control with Tube.....	9.787
CABLE ASSY., Belt Assy. and Strap Unit.....	14.875A
CABLE ASSY., Carburetor to Accelerator Lever.....	3.430
CABLE ASSY., Directional Signal Lamp (See Group 9.748 tell tale windows).....	2.895
CABLE ASSY., Folding Top Compartment Lid.....	12.242A
CABLE ASSY., Folding Top Compartment.....	12.170
CABLE ASSY., Folding Top Trim Hold Down.....	14.102
CABLE ASSY., Fuel Injection Distributor.....	3.340
CABLE ASSY., Hood Lock Release.....	8.075
CABLE ASSY., Speed Indicator.....	9.762
CABLE ASSY., Transmission Control Lock Cable.....	4.070

ALPHABETICAL INDEX

CABLE ASSY., Transmission Gearshift Control Cable	4.047	CARRIER ASSY., Direction Signal Lamp (Cancelling)	2.896
CABLE, Battery to Starter Switch, with Terminals (Insulated)	2.342	CARRIER ASSY., Horn Button and Blowing Ring	2.819
CABLE, Battery Ground, with Terminal	2.341	CARRIER ASSY., Instrument	9.743
CABLE, Gearshift Control (Hand)	4.006	CARRIER ASSY., Transmission Planet	4.175
CABLE, Parking Brake	4.779	CARRIER, Carburetor Air Valve	3.757
CABLE UNIT, Air Flow Control with Tube	9.787	CARRIER UNIT, Luggage Deck Lid	12.815
CABLE UNIT, Fuel Injection Distributor	3.340	CARTRIDGE UNIT, Tape Player	9.670
CAGE, Differential Clutch (Positraction)	5.511	CASE, Air Conditioning Evaporator Core Housing	9.211
CAM, Air Flow	9.786	CASE, Air Flow	9.786
CAM ASSY., Front Door Glass Lower Sash Channel	10.687	CASE ASSY., Heater	8.857
CAM, Carburetor and Fuel Injection Fast Idle	3.766	CASE ASSY., Instrument	9.743
CAM, Carburetor Pump	3.842	CASE ASSY., Wheel Carrier Lock	7.675
CAM CONVERSION UNIT, Direction Signal Lamp (Cancelling)	2.896	CASE, Differential and Planet	5.510
CAM, Direction Signal Lamp (Cancelling)	2.896	CASE, Heater	8.854
CAM, Distributor	2.381	CASE, Instrument Panel Compartment Door ..	10.266
CAM, Fuel Tank	3.107	CASE, Rear Window	9.778
CAM, Gearshift Detent	4.311	CASE, Transmission	4.103
CAM, Rear Axle	5.417	CASE UNIT, Transmission	4.103
CAMSHAFT	0.519	CATCH, Gas Tank Filler Neck Compartment ..	12.945
CAM, Steering Knuckle Lower Control Arm Attaching	6.172	CATCH, Hood Lock-Lower	8.080
CAM, Windshield Washer	10.153	CATCH, Seat Back Lock	11.390
CANISTER ASSY., Fuel Tank Evaporative Control	3.130	CHAIN, Camshaft Timing	0.724
CAPACITOR ASSY., Radio Noise Suppression	9.663	CHANNEL ASSY., Door Window Regulator Manual or Electric	10.792
CAPACITOR ASSY., Rear Window	9.778	CHANNEL, Back Window Glass (rubber)	11.207
CAPACITOR, Distributor with Bracket and Lead	2.393	CHANNEL, Front Door Ventilator Glass (with tee shaft)	10.655
CAPACITOR, Generator (Current Regulator Listed in Group 2.500)	2.319	CHANNEL, Front Door Window Glass Lower Sash	10.685
CAPACITOR, Ignition Pulse (Transistorized) ..	2.383	CHANNEL, Quarter Window Glass Rubber	11.015
CAPACITOR, Radio	9.654	CHANNEL, Windshield Glass (rubber)	10.092
CAP, Air Conditioning Compressor Oil Test ..	9.177	CIRCUIT BREAKER	13.095
CAP, Air Conditioning Evaporator By-Pass	9.198	CIRCUIT, Instrument Case	9.744
CAP, Antenna	9.647	CLAMP, Air Cond. Evap. Air Distributor	9.262
CAP ASSY., Horn Blowing	2.820	CLAMP, Air Conditioning Evaporator Core Housing	9.211
CAP ASSY., Steering Gear Hydraulic Pump	6.635	CLAMP, Air Conditioning Evaporator Expansion Valve	9.214
CAP, Back Window Glass Reveal	11.208	CLAMP, Air Conditioning Hose	9.242
CAP, Carburetor Float	3.734	CLAMP, Air Conditioning Refrigerant Line (Fitting Pkgs. Include O Rings and Hose Clamps)	9.222
CAP, Coolant Pump	1.073	CLAMP, Air Conditioning Refrigerant	9.196
CAP, Coolant Recovery	1.240	CLAMP, Air Flow Control with Tube	9.787
CAP, Corvette Top Roof Outer	12.810	CLAMP, Air Flow	9.786
CAP, Crankshaft Center Bearing. See Group 0.095 for Model Application	0.100	CLAMP, Air Injection Reactor	3.680
CAP, Crankshaft Front Bearing	0.095	CLAMP ASSY., Carburetor and Fuel Injection	3.890
CAP, Crankshaft Front Intermediate Bearing. See Group 0.095 for Model Application ..	0.098	CLAMP, Battery Top	2.335
CAP, Crankshaft Rear Bearing	0.105	CLAMP, Carburetor Air Valve	3.757
CAP, Crankshaft Rear Intermediate Bearing. See Group 0.095 for Model Application ..	0.102	CLAMP, Carburetor Throttle Return Check	3.444
CAP, Distributor	2.367	CLAMP, Crankcase Ventilator Tube	1.750
CAP, Door Outside Handle Push Button and Lock Cylinder	10.552	CLAMP, Distributor Housing	2.363
CAP, Door Window Regulator Manual or Electric	10.792	CLAMP, Distributor	2.362
CAP, Fuel Tank Evaporative Control	3.130	CLAMP, Fuel Injector Metering	3.332
CAP, Fuel Tank Filler, with Gasket	3.028	CLAMP, Heater	8.854
CAP, Garnish Moulding	11.133	CLAMP, Hose, with Nut and Bolt	1.166
CAP, Luggage Deck Lid	12.815	CLAMP, Hydraulic Steering Pump Hose	6.672
CAP, Main Cylinder Filler	4.651	CLAMP, Lock Parts, Folding and Hardtop	14.080A
CAP, Oil Filler	1.758	CLAMP, Manifold	3.273
CAP, Radiator Filler, with Gasket	1.203	CLAMP, Mast Jacket	6.521
CAP, Rear Axle 'U' Joint	5.428	CLAMP, Muffler Exhaust Pipe and Tail Pipe ..	3.708
CAP, Rear Axle	5.417	CLAMP, Parking Brake Alarm	4.589
CAP, Roof Drip	12.075	CLAMP, Radiator	1.219
CAP, Steering Knuckle Lower Control Arm Shaft	6.170	CLAMP, Steering Connecting (With Internal Parts)	6.870
CAP UNIT, Starting Motor	2.104	CLAMP, Steering Connecting Rod	6.886
CAP, Valve Spring	0.309	CLAMP, Steering Gear Ball Return Guide	6.843
CAP, Windshield Washer	10.153	CLAMP, Throttle Control Rod	3.425
CAP, Windshield Wiper Motor Aux.	10.151	CLAMP, Tie Rod End	6.234
CAP, Windshield Wiper	10.154	CLAMP UNIT, Muffler Exhaust Pipe and Tail Pipe	3.708
CARBURETORS	3.725	CLAMP, Vacuum Power Brake Cylinder	4.930
CARPET, Front Floor	15.286	CLEANER, Carburetor Air	3.402
CARPET MATERIAL, Front Floor	15.286	CLEANER, Engine Concentrate	1.850
CARPET MATERIAL	15.512	CLEVIS, Gearshift Rod to Lever	4.037
CARRIER ASSY., Differential, with Cap	5.505	CLEVIS, Main Cylinder Adjusting	4.662
		CLEVIS, Parking Brake	4.765
		CLEVIS, Throttle Control Rod	3.425
		CLIP, Air Conditioning Evaporator Expansion Valve	9.214

ALPHABETICAL INDEX

CLIP, Air Conditioning Hose.....	9.242	COMPARTMENT ASSY., Rear Compartment	
CLIP, Air Flow.....	9.786	Floor.....	12.981
CLIP, Ash Receiver Mounting.....	12.016	COMPARTMENT, Rear Compartment Floor....	12.981
CLIP, Back Window Glass Reveal Moulding..	11.209	COMPASS UNIT, Auto.....	8.873
CLIP, Belt Assy. and Strap Unit.....	14.875A	COMPENSATOR KIT, Carburetor Idle Air	
CLIP, Belt Moulding.....	12.118	Compensator.....	3.820
CLIP, Body Wiring, Electrical Equipment		CONDENSER, Air Conditioning Refrigerant....	9.190
Wiring (See Group 2.480 for Chassis		CONDENSER, Distributor with Bracket and	
Wiring Harness and Extension).....	13.090	Lead.....	2.393
CLIP, Brake Shoe Anchor Pin.....	5.056	CONDENSER, Generator (Current Regulator	
CLIP, Carburetor and Fuel Injection Choke....	3.752	Listed in Group 2.500).....	2.319
CLIP, Carburetor and Fuel Meter Intake		CONDUCTOR, Instrument Case Face.....	9.748
(with Seat and Gasket).....	3.814	CONDUCTOR, Lighting Monitor.....	2.580
CLIP, Chassis Wiring Harness.....	2.559	CONDUCTOR, Windshield Wiper.....	10.154
CLIP, Clock.....	9.772	CONDUCTOR, Windshield Wiper.....	10.163
CLIP, Cluster Gauge.....	9.735	CONDUIT, Front and Rear Door.....	10.778
CLIP, Corvette Top Roof Outer.....	12.810	CONE, Front Wheel Outer Bearing (See	
CLIP, Crankcase Ventilator-Outer.....	1.762	Group 6.313 Bearing Assy.).....	6.315
CLIP, Direction Signal Lamp.....	2.892	CONE, Fuel Injector Air.....	3.335
CLIP, Distributor Contact Point Support		CONNECTION BODY, Electrical.....	2.530
Clamp.....	2.387	CONNECTOR, Air Injection Reactor.....	3.680
CLIP, Distributor Spark Advance Trans.		CONNECTOR, Fittings Valve Rocker Arm	
Electric Control (Also see Group 4.075)..	2.408	Shaft Oil (Also see Group 8.963).....	1.531A
CLIP, Door Inside Locking Rod.....	10.565	CONNECTOR AND TERMINAL ASSY., Body	
CLIP, Door Lock Remote Control Connecting.	10.506	Wiring.....	13.100
CLIP, Door Weatherstrip.....	10.695	CONNECTOR, Air Conditioning Control.....	9.281
CLIP, Electric Window Lift Parts.....	10.777	CONNECTOR, Air Conditioning Evaporator	
CLIP, Emergency and Safety.....	2.575	By-Pass.....	9.198
CLIP, Fldg. Top, Bow Binding End.....	13.342	CONNECTOR, Air Flow.....	9.786
CLIP, Folding and Hard Top Front Roof Rail..	14.060	CONNECTOR, Carburetor Vacuum.....	3.765
CLIP, Front Door Trim Binding Strip		CONNECTOR, Carburetor.....	3.755
Replacement.....	14.683	CONNECTOR, Clock.....	9.772
CLIP, Front Door Ventilator.....	10.661	CONNECTOR, Concealed Headlamp Control	
CLIP, Front Fender and Skirt.....	8.154	Opening Cover.....	2.765
CLIP, Front Seat Side Trim.....	14.818	CONNECTOR, Coolant Pump By-Pass.....	1.097
CLIP, Fuel Feed Pipe.....	3.162	CONNECTOR, Crankcase.....	1.745
CLIP, Fuel Tank.....	3.107	CONNECTOR, Distributor Spark Advance	
CLIP, Headlamp Dimmer.....	2.459	Trans. Electric Control (Also see Group	
CLIP, Heater (See Group 1.166 for Clamps)...	8.846	4.075).....	2.408
CLIP, Heater and Evaporator.....	8.855	CONNECTOR, Distributor Terminal.....	2.400
CLIP, Hydraulic Brake.....	4.686	CONNECTOR, Electrical.....	2.530
CLIP, Ignition Switch Warning and Theft		CONNECTOR, Flexible-Fuel or Oil Lines.....	3.163
Alarm.....	2.195	CONNECTOR, Headlamp Washer.....	2.780
CLIP, Instrument Case.....	9.744	CONNECTOR, Horn Button and Blowing	
CLIP, Instrument Panel.....	14.655	Ring.....	2.819
CLIP, Parking Brake.....	4.765	CONNECTOR, Hydraulic Brake.....	4.686
CLIP, Rear Compartment Floor.....	12.981	CONNECTOR, Oil Filter Fitting.....	1.855
CLIP, Scalp Vinyl Roof Panel Cover.....	12.080	CONNECTOR, Parking Brake Cable.....	4.785
CLIP, Seat Back Lock.....	11.390	CONNECTOR, Trans. Oil Control.....	4.265
CLIP, Spark Plug Wire.....	2.251	CONNECTOR, Transmission Oil.....	4.128
CLIP, Spark Plug Wire.....	2.257	CONNECTOR, Transmission Smog Control....	4.075
CLIP, Speedometer without Casing.....	4.342	CONNECTOR, Windshield Wiper Pipe.....	10.155
CLIP, Speedometer Drive Gear.....	4.345	CONSOLE ASSY., Rear Compartment Floor....	12.981
CLIP, Throttle Control Rod.....	3.425	CONTACT, Horn Button and Blowing Ring....	2.819
CLIP, Transmission Control Lock Cable.....	4.070	CONTACT, Starting Motor Solenoid (Switch	
CLIP, Transmission Oil.....	4.128	Parts).....	2.102
CLIP, Transmission Smog Control.....	4.075	CONTACT UNIT, Directional Signal Lamp	
CLIP, Transmission Throttle Valve Control....	4.052	(See Group 9.748 tell tale windows).....	2.895
CLIP, Vacuum.....	4.205	CONTAINER, Belt Assy. and Strap Unit.....	14.875A
CLIP, Wheel Hub Cap Lock.....	5.864	CONTROL ASSY., Air Conditioning	
CLIP, Windshield Garnish Moulding.....	10.056	Instrument Panel.....	9.273
CLIP, Windshield Reveal Moulding.....	10.096	CONTROL ASSY., Carburetor.....	3.755
CLIP, Windshield Washer Access Door.....	10.130	CONTROL ASSY., Directional Signal Lamp	
CLIP, Windshield Wiper Pipe.....	10.155	(See Group 9.748 tell tale windows).....	2.895
CLIP, Windshield Wiper.....	10.154	CONTROL ASSY., Folding Top Compartment	
CLOCK, Clock.....	9.772	Lid.....	12.242A
CLUTCH ASSY., Clutch Pressure with Cover..	0.859	CONTROL ASSY., Heater.....	8.849
CLUTCH ASSY., Engine Air Fan.....	1.050	CONTROL ASSY., Transmission Gearshift.....	4.004
CLUTCH ASSY., Transmission 2nd-3rd and		CONTROL ASSY., Windshield Washer	
3rd-4th Speeds.....	4.380	Access Door.....	10.130
CLUTCH ASSY., Transmission.....	4.164	CONTROL, Distributor Vacuum.....	2.410
COIL, Air Conditioning Compressor Clutch		CONTROL, Door Inside Locking Rod.....	10.559
Actuating.....	9.186	CONTROL, Door Lock Remote.....	10.500
COIL ASSY., Headlamp Washer.....	2.780	CONTROL UNIT, Ignition Switch Warning	
COIL ASSY., Starting Motor Field.....	2.049	and Theft Alarm.....	2.195
COIL ASSY., Windshield Washer.....	10.153	CONTROL UNIT, Windshield Wiper.....	10.150
COIL ASSY., Windshield Wiper.....	10.150	CONTROL, Windshield Wiper.....	10.163
COIL, Ignition.....	2.170	CONVERTER ASSY. (Rebuilt for General	
COIL UNIT, Generator Field.....	2.310	Motors), Transmission.....	4.115
COLLAR, Generator Drive End.....	2.307	CONVERTER ASSY., (Rebuilt by General	
COLLAR, Starting Motor Thrust.....	2.063	Motors), Transmission.....	4.115
COLLAR, Steering Column.....	6.758	CONVERTER ASSY., Catalytic.....	3.685
COLUMN ASSY., Mast (Also see group		COOLER, Transmission Oil.....	4.128
6.803).....	6.518	CORD ASSY., Engine Heater.....	1.152

ALPHABETICAL INDEX

CORE, Air Conditioning Compressor Oil Test.....	9.177	COVER, Wheel and Tire Compartment.....	7.629
CORE, Air Conditioning Evaporator By-Pass.....	9.198	COVER, Wheel Carrier Lock.....	7.679
CORE ASSY., Air Conditioning Evaporator.....	9.210	COVER, Wheel.....	5.858
CORE, Heater.....	8.854	COVER, Windshield Washer.....	10.153
CORE, Radiator.....	1.219	COVER, Windshield Wiper Motor Aux.....	10.151
COUPLING ASSY., Steering Shaft U-Joint.....	6.525	CO, Windshield Washer.....	10.153
COUPLING, Distributor Vacuum Control.....	2.420	CRANK, Seat Back Lock.....	11.390
COUPLING, Fuel Injection Distributor.....	3.340	CRANKSHAFT.....	0.646
COUPLING, Tachometer.....	9.750	CUP, Direction Control Switch.....	2.906
COUPLING UNIT, Steering Shaft U-Joint.....	6.525	CUP, Distributor Lubricating.....	2.364
COVER, Accelerator.....	3.451	CUP, Main Cylinder Piston.....	4.654
COVER, Air Cleaner.....	3.410	CUP, Steering Worm Thrust.....	6.835
COVER, Air Cleaner.....	3.417	CUP, Wheel Cylinder Piston (also see group 4.665).....	4.667
COVER, Air Conditioning Compressor (Internal).....	9.172	CUSHION ASSY., Rear Axle Control Arm.....	5.380
COVER, Air Duct.....	9.782	CUSHION, Body Mounting.....	9.023
COVER, Ash Receiver.....	12.009	CUSHION, Bumper.....	7.865
COVER ASSY., Air Conditioning Evaporator Core Housing.....	9.211	CUSHION, Differential Carrier Mounting.....	5.500
COVER ASSY., Battery.....	2.345	CUSHION, Door Window.....	10.716
COVER ASSY., Bumper Impact Bar.....	7.832	CUSHION, Electrical Output (See Group 2.319 for Breaker).....	2.500
COVER ASSY., Carburetor (with Leather and Shaft).....	3.838	CUSHION, Radiator Core.....	1.270
COVER ASSY., Carburetor Idle Air Compensator.....	3.820	CUSHION, Rear Spring.....	7.545
COVER ASSY., Cowl Side.....	12.804	CUSHION, Seat Bottom, with Frame, Springs, and Padding (less trim cover).....	11.419A
COVER ASSY., Front Seat Back Head Restraint.....	14.924	CUSHION UNIT, Side Seat Back with Frame, Springs, and Padding (less trim cover).....	11.373A
COVER ASSY., Hardtop.....	13.346A	CUSHION, Windshield Washer Access Door.....	10.130
COVER ASSY., Oil Pump.....	4.203	CUSHION, Windshield Wiper Motor Aux.....	10.151
COVER ASSY., Radio Instrument Panel.....	10.256	CYLINDER ASSY., Air Conditioning less Clutch.....	9.170
COVER ASSY., Rear Compartment Floor.....	12.981	CYLINDER ASSY., Ignition Switch.....	2.188
COVER ASSY., Steering Gear Housing (Also see group 6.518).....	6.807	CYLINDER ASSY., Steering Gear Hydraulic.....	6.576
COVER ASSY., Transmission Oil.....	4.224	CYLINDER ASSY., Vacuum Power Brake.....	4.901
COVER ASSY., Wheelhouse Panel.....	15.099	CYLINDER ASSY., Wheel Brake (Also see Group 4.667).....	4.665
COVER, Automatic Choke Control.....	3.750	CYLINDER ASSY., Wheel Carrier Lock.....	7.680
COVER, Axle Housing with Filler Plug.....	5.398	CYLINDER ASSY.....	4.650
COVER, Back Window Glass Reveal Moulding.....	11.209	CYLINDER, Instrument Panel Compartment Door.....	10.266
COVER, Belt Assy. and Strap Unit.....	14.875A	CYLINDER UNIT, Door Lock Outside Locking Handle.....	10.550
COVER, Brake and Clutch Pedal.....	4.630	CYLINDER UNIT, Ignition Switch.....	2.188
COVER, Brake Adjusting Hole.....	5.117		
COVER, Brake Cyl. and Pedal Shaft (Also see group 0.847 for pedal shaft bracket).....	4.648	D	
COVER, Bumper Sheet Metal.....	7.833	DAMPER ASSY., Transmission Main Valve.....	4.216
COVER, Carburetor Power.....	3.858	DECAL, Gas Tank Filler Neck Compartment.....	12.945
COVER, Clutch.....	0.861	DECAL, Hood (Also See Group 1.303).....	8.055
COVER, Cowl Side.....	12.804	DECLINE, Hydraulic Brake.....	4.683
COVER, Crankcase Front End.....	0.206	DEFLECTOR, Air Cond. Evap. Air Distributor.....	9.262
COVER, Dash Panel.....	15.280	DEFLECTOR, Air Flow.....	9.786
COVER, Direction Control Switch.....	2.906	DEFLECTOR, Front Hub or Drum Oil.....	6.323
COVER, Distributor Cap Retainer.....	2.368	DEFLECTOR, Heater.....	8.852
COVER, Engine Intake (exhaust manifold in group 3.601).....	3.265	DEFLECTOR, Propeller Shaft Pinion.....	5.545
COVER, Flywheel.....	0.679	DEFLECTOR, Rear Axle Universal Joint.....	5.425
COVER, Front Door, Upper.....	10.450	DELAYER ASSY., Carburetor and Fuel Injection Choke.....	3.752
COVER, Front Panel Access Hole.....	10.355	DESICCANT, Air Conditioning Refrigerant (w/Dehydrator).....	9.195
COVER, Fuel Meter Control.....	3.318	DIAL, Transmission Control Selector.....	4.020
COVER, Fuel Meter.....	3.322	DIAPHRAGM ASSY., Carburetor (with Leather and Shaft).....	3.838
COVER, Fuel Tank.....	3.015	DIAPHRAGM ASSY., Carburetor Governor.....	3.870
COVER, Gas Tank Filler Neck Compartment.....	12.945	DIAPHRAGM ASSY., Carburetor Throttle.....	3.758
COVER, Gearshift Hand Lever.....	4.010	DIAPHRAGM ASSY., Carburetor.....	3.755
COVER, Heater.....	8.854	DIAPHRAGM UNIT, Fuel and Vacuum Pump Repair.....	3.925
COVER, Idler Arm.....	1.060	DIAPHRAGM, Fuel Meter Enrichment.....	3.320
COVER, Instrument Panel.....	14.655	DIAPHRAGM, Fuel Pump Bowl and Mounting.....	3.904
COVER, King Pin Oil.....	6.225	DIAPHRAGM, Fuel Pump Pulsator.....	3.910
COVER KIT, Hydraulic Steering Valve.....	6.554	DIAPHRAGM, Vacuum Power Brake Cylinder.....	4.922
COVER, Lock Parts, Folding and Hardtop.....	14.080A	DIFFUSER, Air Cleaner.....	3.410
COVER, Main Cylinder Filler.....	4.651	DIODE, Generator (Current Regulator Listed in Group 2.500).....	2.319
COVER, Manifold.....	3.602	DIODE, Ignition Pulse (Transistorized).....	2.383
COVER, Mast (Also see group 6.803).....	6.518	DISC, Concealed Headlamp Control Drive.....	2.760
COVER, Oil Pump.....	1.723	DISC, Front and Rear Wheel Brake.....	5.809
COVER, Rear Compartment Floor.....	12.981	DISC, Vacuum Power Brake Cylinder Reaction.....	4.934
COVER, Rear View Mirror, Inside.....	10.187		
COVER, Reverse Servo.....	4.241		
COVER, Seat Back Lock.....	11.390		
COVER, Servo.....	4.212		
COVER, Steering Column Lock Bolt.....	6.500		
COVER, Transmission Case.....	4.105		
COVER, Transmission.....	4.256		
COVER, Valve Push Rod.....	0.439		
COVER, Valve Rocker Arm.....	0.386		

ALPHABETICAL INDEX

<p>DISC, with Facing, Clutch..... 0.886</p> <p>DISTRIBUTOR, Ignition..... 2.361</p> <p>DIVERTER ASSY., Front Panel Access Hole... 10.355</p> <p>DOOR, Air Flow..... 9.786</p> <p>DOOR ASSY., Instrument Panel Compartment..... 10.261</p> <p>DOOR ASSY., Rear Compartment Floor..... 12.981</p> <p>DOOR, Cowl..... 9.789</p> <p>DOOR, Front (Less Paint, Trim and Hardware)..... 10.351</p> <p>DOOR, Gas Tank Filler Neck Compartment... 12.945</p> <p>DOOR, Parking Lamp..... 2.593</p> <p>DOOR, Rear Compartment Floor..... 12.981</p> <p>DOWEL, Flywheel and Clutch Housing to Cylinder Block..... 0.685</p> <p>DOWEL, Flywheel to Crankshaft..... 0.669</p> <p>DRIVE ASSY., Starting Motor..... 2.086</p> <p>DRUM ASSY., Front and Rear Wheel Brake... 5.809</p> <p>DRUM ASSY., Planet Reverse..... 4.190</p> <p>DRUM, Transmission Clutch..... 4.169</p> <p>DUCT, Air Cleaner..... 3.417</p> <p>DUCT, Air Flow..... 9.786</p> <p>DUCT ASSY., Air Cond. Evap. Air Distributor. 9.262</p> <p>DUCT, Defroster..... 9.779</p> <p>DUCT, Rear Window..... 9.778</p>	<p>EXHAUST EMISSION CONTROL UNIT, Distributor Spark Advance Trans. Electric Control (Also see Group 4.075).. 2.408</p> <p>EXPANSION PLUGS, Cylinder Block (Also see 8.970)..... 0.034</p> <p>EXTENSION ASSY., Corvette Rocker (plastic- laminated)..... 12.934</p> <p>EXTENSION ASSY., Muffler Tail..... 3.705</p> <p>EXTENSION ASSY., Transmission Rear Main Bearing..... 4.317</p> <p>EXTENSION, Accelerator..... 3.454</p> <p>EXTENSION, Air Injection Reactor..... 3.675</p> <p>EXTENSION, Body Back Lower (Rear End)..... 12.966</p> <p>EXTENSION, Chassis Wiring (Segmented)..... 2.480</p> <p>EXTENSION, Corvette Rocker (plastic- laminated)..... 12.934</p> <p>EXTENSION, Engine to Muffler Exhaust..... 3.609</p> <p>EXTENSION, Flywheel..... 0.679</p> <p>EXTENSION, Front Body Hinge..... 12.840</p> <p>EXTENSION, Front Fender Skirt..... 8.155</p> <p>EXTENSION, Front Fender..... 8.131</p> <p>EXTENSION, Front Fender..... 8.153</p> <p>EXTENSION, Front Frame to Bumper Attaching (Also See Group 7.869)..... 7.836</p> <p>EXTENSION, Gearshift Hand Lever..... 4.010</p> <p>EXTENSION, Instrument Panel to Dash..... 10.230</p> <p>EXTENSION, Mast (Also see group 6.803)..... 6.518</p> <p>EXTENSION, Radiator and Grille Filler..... 1.287</p> <p>EXTENSION, Radiator Fan..... 1.277</p> <p>EXTENSION, Radiator..... 1.263</p> <p>EXTENSION, Rear Quarter Trim..... 15.100</p> <p>EXTENSION, Side Door..... 10.587</p> <p>EXTENSION, Steering Wheel Hub..... 6.512</p> <p>EXTENSION, Tire Valve..... 5.875</p> <p>EXTENSION, Transmission Rear Main Bearing..... 4.317</p> <p>EXTENSION, Windshield Washer Access Door..... 10.130</p> <p>EXTENSION, Windshield Wiper..... 10.154</p> <p>EXTINGUISHER..... 9.990</p> <p>EYELET, Front Door Trim Binding Strip Replacement..... 14.683</p> <p>EYELET, Front Door..... 14.685</p> <p>EYELET, Instrument Panel to Dash..... 10.230</p> <p>EYELET, Instrument Panel..... 14.655</p> <p>EYELET, Wheelhouse Panel..... 15.099</p>
E	
<p>ELBOW, Air Conditioning Evaporator Air Inlet..... 9.218</p> <p>ELBOW, Air Injection Reactor..... 3.680</p> <p>ELBOW, Coolant Pump By-Pass..... 1.097</p> <p>ELBOW, Flexible-Fuel or Oil Lines..... 3.163</p> <p>ELBOW, Fuel Injector..... 3.330</p> <p>ELBOW, Oil Pressure..... 1.803</p> <p>ELBOW, Vacuum Power Brake Cylinder..... 4.931</p> <p>ELEMENT, Air Cleaner..... 3.410</p> <p>ELEMENT, Air Conditioning Vacuum Control. 9.280</p> <p>ELEMENT, Carburetor and Fuel Injection..... 3.890</p> <p>ELEMENT, Cigarette Lighter..... 9.709</p> <p>ELEMENT, Hydraulic Steering Pump..... 6.630</p> <p>ELEMENT, Oil Filter..... 1.836</p> <p>EMBLEM, Front Fender (Also see Group 17.507)..... 8.147</p> <p>EMBLEM, Hood (Also See Group 1.303)..... 8.055</p> <p>EMBLEM, License Plate..... 7.800</p> <p>EMBLEM, Radiator Grille (Also see Group 8.055)..... 1.303</p> <p>EMBLEM, Rear Compartment Lid and Rear End Panel..... 12.182</p> <p>EMBLEM UNIT, Gas Tank Filler Neck Compartment..... 12.945</p> <p>EMBLEM, Valve Rocker Arm..... 0.386</p> <p>EMBLEM, Wheel Cover Appearance..... 5.871</p> <p>END ASSY., Concealed Headlamp Opening Cover..... 2.770</p> <p>END ASSY., Tie Rod..... 6.233</p> <p>END, Carburetor to Accelerator Lever..... 3.430</p> <p>END, Door Window Reveal Moulding..... 10.708</p> <p>EQUALIZER, Parking Brake..... 4.765</p> <p>ESCUTCHEON, Ash Tray..... 12.048</p> <p>ESCUTCHEON, Back Window Glass Reveal Moulding..... 11.209</p> <p>ESCUTCHEON, Belt Assy. and Strap Unit..... 14.875A</p> <p>ESCUTCHEON, Door Outside Handle..... 10.536</p> <p>ESCUTCHEON, Door Window Regulator Handle..... 10.805</p> <p>ESCUTCHEON, Hardtop..... 13.346A</p> <p>ESCUTCHEON, Ignition Switch Warning and Theft Alarm..... 2.195</p> <p>ESCUTCHEON, Instrument Panel Compartment Door Lock..... 10.267</p> <p>ESCUTCHEON, Rear Compartment Floor..... 12.981</p> <p>ESCUTCHEON, Rear Compartment Lid Lock.. 12.249</p> <p>ESCUTCHEON, Seat Back with Springs (less Cushion)..... 11.373</p> <p>ESCUTCHEON, Seat Back Lock..... 11.390</p> <p>ESCUTCHEON, Seat Headrest..... 11.376</p> <p>ESCUTCHEON, Seat Separator..... 10.242</p> <p>ESCUTCHEON, Windshield Wiper Transmission..... 10.160</p>	<p style="text-align: center; padding: 10px 0;">F</p> <p>FAN, Air Injection Reactor Pump..... 3.665</p> <p>FAN ASSY., Air Conditioning Evaporator Blower Motor..... 9.216</p> <p>FAN ASSY., Rear Window..... 9.778</p> <p>FAN ASSY., Roof Ventilation..... 12.811</p> <p>FAN, Generator..... 2.274</p> <p>FAN, Heater..... 8.857</p> <p>FASTENER ASSY., Windshield Reveal Moulding..... 10.096</p> <p>FASTENER, Cowl..... 9.789</p> <p>FASTENER, Dash Panel..... 15.280</p> <p>FASTENER, Door Weatherstrip..... 10.695</p> <p>FASTENER, Folding and Hard Top Front Roof Rail..... 14.060</p> <p>FASTENER, Front Door..... 14.685</p> <p>FASTENER, Gearshift Control Hand Lever..... 4.008</p> <p>FASTENER, Radiator Core..... 1.270</p> <p>FASTENER, Transmission Control Switch..... 4.060</p> <p>FASTENER, Windshield Garnish Moulding.... 10.056</p> <p>FELT, Air Flow..... 9.786</p> <p>FELT, Front Wheel Bearing..... 6.326</p> <p>FERRULE, Hardtop..... 13.346A</p> <p>FERRULE, Ignition Lock..... 2.198</p> <p>FERRULE, Lighting Switch Rod..... 2.487</p> <p>FERRULE, Rear Compartment Lid Lock..... 12.247</p> <p>FILLER ASSY., Corvette Top Roof Outer..... 12.810</p> <p>FILLER, Body Rear End (plastic laminated).... 12.986</p> <p>FILLER, Bumper and Grille..... 7.828</p> <p>FILLER, Bumper Face Rear..... 7.831A</p> <p>FILLER, Bumper Sheet Metal..... 7.833</p> <p>FILLER, Door Window Regulator Manual or Electric..... 10.792</p>

ALPHABETICAL INDEX

FILLER, Front Fender.....	8.153
FILTER ASSY., Carburetor and Fuel Injection	3.890
FILTER ASSY., Concealed Headlamp Control Drive.....	2.760
FILTER ASSY., Oil Pan Pump Suction.....	4.197
FILTER, Carburetor and Fuel Meter Fuel Inlet.....	3.740
FILTER, Fuel Tank Evaporative Control.....	3.130
FILTER, Hydraulic Steering Pump.....	6.630
FILTER KIT, Carburetor and Fuel Injection.....	3.890
FILTER NUT, Windshield Washer.....	10.153
FILTER UNIT, Oil (See group 3.163 for flexible pipes).....	1.835
FILTER, Vacuum Power Brake Cylinder Air....	4.913
FILTER, Windshield Wiper.....	10.154
FITTING ASSY., Air Conditioning Compressor Suction and Discharge.....	9.226
FITTING ASSY., Air Suspension Level Control.....	7.447
FITTING ASSY., Manifold Vacuum Take-Off (also see group 8.963).....	3.278
FITTING ASSY., Steering Gear Hydraulic Valve Hose.....	6.673
FITTING ASSY., Vacuum Power Brake Cylinder.....	4.931
FITTING, Carburetor and Fuel Meter Fuel Inlet.....	3.740
FITTING, Carburetor Pump.....	3.842
FITTING, Oil Pressure (See group 9.748 for tell tale windows).....	1.800
FITTING PKG., Air Conditioning Refrigerant Line (Fitting Pkgs. Include O Rings and Hose Clamps).....	9.222
FITTING, Speedometer Driven Gear.....	4.338
FITTING, Steering Knuckle, Upper and Lower Control Arm.....	6.166
FLAG, Emergency and Safety.....	2.575
FLAG, Wheel and Tire, Emergency Equipment.....	8.821
FLANGE, Air Cleaner Oil.....	3.406
FLANGE ASSY., Low Sun Gear and Clutch.....	4.162
FLANGE ASSY., Rear Wheel.....	5.806
FLANGE, Back-Up.....	2.697
FLANGE, Exhaust Pipe Packing.....	3.810
FLANGE, Muffler Tail.....	3.705
FLANGE, Oil Pan Drain.....	1.453
FLANGE, Propeller Shaft Pinion.....	5.545
FLANGE, Rear Axle Universal Joint.....	5.425
FLANGE, Rear Quarter Side Outer (Outer panel only).....	12.940
FLANGE, Steering Shaft U-Joint.....	6.525
FLANGE, Transmission Oil.....	4.195
FLARE ASSY., Emergency and Safety.....	2.575
FLARE, Wheel and Tire, Emergency Equipment.....	8.821
FLASHER ASSY., Emergency and Safety.....	2.575
FLASHER, Direction Signal Lamp.....	2.892
FLOAT, Carburetor and Fuel Meter.....	3.745
FLUID, Hydraulic Brake.....	4.683
FLYWHEEL, with Ring Gear.....	0.666
FORK ASSY., Clutch Release.....	0.795
FORK, Gearshift.....	4.303
FORK, Seat Back Lock.....	11.390
FORK, Transmission Main.....	4.403
FRAME ASSY., Air Cleaner Intake Valve.....	3.415
FRAME ASSY., License Plate.....	7.800
FRAME ASSY., Seat Bottom, with Springs (less cushion).....	11.419
FRAME ASSY., Windshield Side.....	12.808
FRAME ASSY., Windshield Upper & Lower.....	12.807
FRAME ASSY.....	7.003
FRAME, Back Window (Safety).....	11.204
FRAME, Back Window Inner.....	12.964
FRAME, Cowl.....	9.789
FRAME, Front Door Window Glass Lower Sash.....	10.685
FRAME, Generator Commutator End, with Bushing.....	2.297
FRAME, Generator Drive End.....	2.305
FRAME, Instrument Panel Compartment.....	10.260
FRAME, Starting Motor Commutator End, with Pins.....	2.067
FRAME, Windshield Side.....	12.808
FREEZE, Radiator.....	1.175

FUSE ASSY., Air Conditioning Compressor (Internal).....	9.172
---	-------

G

GASKET, A/C Electric Temperature and Blower Motor Control.....	9.275
GASKET, Air Injection Reactor.....	3.680
GASKET, Air Cleaner.....	3.403
GASKET, Air Cleaner.....	3.417
GASKET, Air Conditioning Compressor Oil Test.....	9.177
GASKET, Air Conditioning Compressor Pressure Relief.....	9.178
GASKET, Air Conditioning Evaporator Blower Motor.....	9.216
GASKET, Air Conditioning Evaporator Core Housing.....	9.211
GASKET, Air Conditioning Evaporator Expansion Valve.....	9.214
GASKET, Air Duct.....	9.782
GASKET, Antenna.....	9.647
GASKET, Automatic Choke Control.....	3.750
GASKET, Axle Filler and Drain.....	5.400
GASKET, Axle Housing to Differential Carrier (paper).....	5.508
GASKET, Axle Housing Cover (Cork).....	5.399
GASKET, Back-Up.....	2.697
GASKET, Brake Cyl. and Pedal Shaft (Also see group 0.847 for pedal shaft bracket).....	4.648
GASKET, Carburetor and Fuel Injection.....	3.890
GASKET, Carburetor and Fuel Meter Fuel Inlet.....	3.740
GASKET, Carburetor to Manifold.....	3.726
GASKET, Carburetor Float Bowl to Cover (or Air Horn).....	3.738
GASKET, Carburetor Idle Air Compensator....	3.820
GASKET, Coolant Outlet.....	1.154
GASKET, Coolant Pump Assembly (to Block).....	1.079
GASKET, Cowl Ventilator.....	10.331
GASKET, Crankcase Front End Cover.....	0.207
GASKET, Crankcase.....	1.745
GASKET, Cylinder Head.....	0.289
GASKET, Distributor Housing.....	2.363
GASKET, Distributor.....	2.362
GASKET, Door Handle Push Button.....	12.195
GASKET, Door Outside Handle Ferrule.....	10.537
GASKET, Emergency and Safety.....	2.575
GASKET, Engine Front Mounting Plate.....	0.005
GASKET, Exhaust Pipe.....	3.611
GASKET, Flange Plate.....	5.002
GASKET, Front Door, Upper.....	10.450
GASKET, Front Panel Access Hole.....	10.355
GASKET, Fuel Injection.....	3.750A
GASKET, Fuel Injection Distributor.....	3.340
GASKET, Fuel Injector Air.....	3.335
GASKET, Fuel Injector Metering.....	3.332
GASKET, Fuel Meter Control.....	3.318
GASKET, Fuel Meter Gear and Fuel Injection.....	3.308
GASKET, Fuel Pump Bowl and Mounting.....	3.904
GASKET, Fuel Tank Filler Neck.....	3.008
GASKET, Fuel Tank Gauge.....	3.112
GASKET, Fuse & Junction.....	2.483
GASKET, Generator Drive End.....	2.307
GASKET, Headlamp Body to Fender.....	2.722
GASKET, Heater.....	8.857
GASKET, Hydraulic Modulator.....	4.208
GASKET, Hydraulic Steering Valve.....	6.554
GASKET, Ignition Pulse (Transistorized).....	2.383
GASKET, Ignition Switch Warning and Theft Alarm.....	2.195
GASKET, Instrument Case.....	9.749
GASKET KIT, Carburetor.....	3.724
GASKET, Lock Parts, Folding and Hardtop.....	14.080A
GASKET, Main Cylinder Filler.....	4.651
GASKET, Main Cylinder Head, Outlet.....	4.652
GASKET, Main Cylinder Outlet Fitting.....	4.661
GASKET, Manifold (1 center, 2 end gaskets and 1 exh. pipe packing).....	3.270
GASKET, Oil Filler.....	1.758

ALPHABETICAL INDEX

GASKET, Oil Filter.....	1.844	GEAR UNIT, Differential Side with Pinion.....	5.527
GASKET, Oil Pan Drain Screw.....	1.456	GEAR UNIT, Distributor.....	2.374
GASKET, Oil Pan Pump Suction.....	4.197	GEAR UNIT, Transmission.....	4.256
GASKET, Oil Pump Cover.....	1.724	GEAR, Windshield Wiper Motor Aux.....	10.151
GASKET, Oil Pump.....	4.203	GENERATOR (less pulley).....	2.275
GASKET, Parking Lamp Lens.....	2.590	GLASS, A/C Sight Glass.....	9.202
GASKET, Rear Compartment Lid Lock.....	12.249	GLASS, Back Window (Safety).....	11.204
GASKET, Rear License Lamp Lens.....	2.707	GLASS, Front Door Ventilator (safety).....	10.658
GASKET, Rear View Mirror.....	10.186	GLASS, Front Door Window (Safety).....	10.681
GASKET, Rear Window.....	9.778	GLASS, Quarter Window (safety).....	11.011
GASKET, Reverse Servo.....	4.241	GLASS, Windshield (Safety).....	10.027
GASKET, Servo.....	4.212	GOVERNOR ASSY., Transmission.....	4.256
GASKET, Spark Plug Seat.....	2.271	GREASE, Air Injection Reactor Pump.....	3.665
GASKET, Starting Motor.....	2.104	GREASE CAP, Wheel Bearing.....	6.330
GASKET, Steering Gear Housing Side Cover.....	6.809	GREASE CAP, Wheel.....	5.858
GASKET, Tail Lamp Lens.....	2.684	GRILLE ASSY., Radiator (Mouldings in group 1.268).....	1.266
GASKET, Tail Lamp.....	2.660	GRILLE ASSY., Roof Ventilation.....	12.811
GASKET, Thermostat Housing.....	1.252	GRILLE, Cowl Ventilator.....	12.800
GASKET, Trans. Oil Control.....	4.265	GRILLE, Cowl.....	9.789
GASKET, Transmission Case Cover.....	4.109	GRILLE, Defroster.....	9.779
GASKET, Transmission Front Servo.....	4.226	GRILLE, Hood (Also See Group 1.303).....	8.055
GASKET, Transmission Low and Drive Valve.....	4.265	GRILLE, Rear Window.....	9.778
GASKET, Transmission Main Drive Gear Bearing Retainer.....	4.358	GRILLE, Roof Ventilation.....	12.811
GASKET, Transmission Main Valve Body.....	4.217	GROMMET.....	9.775
GASKET, Transmission Oil Pan.....	4.196	GROMMET, A/C Electric Temperature and Blower Motor Control.....	9.275
GASKET, Transmission Oil.....	4.128	GROMMET, Air Conditioning Evaporator Core Housing.....	9.211
GASKET, Transmission Rear Bearing Retainer.....	4.318	GROMMET ASSY., Concealed Headlamp Control Drive.....	2.760
GASKET, Transmission.....	4.256	GROMMET, Back-Up.....	2.697
GASKET UNIT, Cylinder Head.....	0.289	GROMMET, Chassis Wiring (Segmented).....	2.480
GASKET UNIT, Door Outside Handle Ferrule.....	10.537	GROMMET, Concealed Headlamp Control Opening Cover.....	2.765
GASKET UNIT, Engine or Tune Up.....	0.010	GROMMET, Crankcase.....	1.745
GASKET UNIT, Manifold (1 center, 2 end gaskets and 1 exh. pipe packing).....	3.270	GROMMET, Distributor w/Weight Plate.....	2.372
GASKET UNIT, Oil Pan.....	1.429	GROMMET, Distributor Terminal.....	2.401
GASKET UNIT, Transmission.....	4.005	GROMMET, Door Lock Remote Control Connecting.....	10.506
GASKET, Vacuum Power Brake Cylinder.....	4.931	GROMMET, Folding Top Compartment.....	12.170
GASKET, Vacuum.....	4.205	GROMMET, Folding Top Motor and Pump.....	14.482
GASKET, Valve Push Rod Cover.....	0.443	GROMMET, Front Floor.....	15.300
GASKET, Valve Rocker Cover.....	0.423	GROMMET, Fuel Meter Control.....	3.318
GASKET, Venturi Cluster.....	3.790	GROMMET, Hood Catch Cod Tube.....	8.077
GASKET, Wheel Hub and Drum Oil Deflector, Front and Rear.....	5.819	GROMMET, Hydraulic Steering Cylinder Piston Rod.....	6.581
GASKET, Windshield Washer.....	10.153	GROMMET, Instrument Panel Compartment Door.....	10.262
GASKET, Windshield Wiper Motor Mounting Parts.....	10.152	GROMMET, Oil Pan Pump Suction.....	4.197
GASKET, Windshield Wiper Transmission.....	10.160	GROMMET, Rear View Mirror, Inside.....	10.187
GATE, Control Shaft or Tube.....	4.027	GROMMET, Rear View Mirror.....	10.186
GAUGE ASSY., Electrical Output (see group 9.7413 for tell tale windows).....	2.515	GROMMET, Shock Absorber Arm, Double Acting (See Gr. 7.388).....	7.377
GAUGE ASSY., Transmission Oil Filler.....	4.133	GROMMET, Shock Absorber Link, Double Acting.....	7.388
GAUGE, Coolant Temperature (Dash Unit).....	1.148	GROMMET, Shock Absorber, Air Lift.....	7.346
GAUGE, Coolant Temperature (Engine Unit).....	1.150	GROMMET, Spark Plug Wire.....	2.251
GAUGE, Fuel (Instrument Panel).....	3.108	GROMMET, Stabilizer Link.....	7.244
GAUGE, Fuel Tank.....	3.107	GROMMET, Starting Motor Solenoid (Switch Parts).....	2.102
GAUGE, Oil Level.....	1.516	GROMMET, Transmission Gearshift Shaft or Tube (Lower).....	4.030
GAUGE, Oil Pressure.....	1.803	GROMMET, Vacuum Power Brake Check.....	4.955
GAUGE, Transmission Oil Filler.....	4.133	GROMMET, Valve Rocker Arm.....	0.386
GEAR ASSY., Ring and Pinion (not sold separately).....	5.529	GROMMET, Windshield Washer Access Door.....	10.130
GEAR ASSY., Steering.....	6.508	GROMMET, Windshield Wiper Motor Mounting Parts.....	10.152
GEAR ASSY., Transmission Reverse Idler (w/ Bushings).....	4.430	GROMMET, Windshield Wiper.....	10.150
GEAR, Camshaft Timing.....	0.736	GROUND PLATE, Antenna.....	9.647
GEAR, Concealed Headlamp Control Drive.....	2.760	GROUND STRAP, Antenna.....	9.647
GEAR, Differential Pinion.....	5.526	GUARD ASSY., Bumper and Grille.....	7.828
GEAR, Differential Side.....	5.528	GUARD, Engine Intake (exhaust manifold in group 3.601).....	3.265
GEAR, Front Door Window.....	10.783	GUARD, Steering Gear Hydraulic Pump.....	6.655
GEAR, Fuel Injection Distributor.....	3.340	GUIDE, Accelerator Control Cable.....	3.483
GEAR, Speedometer Drive.....	4.343	GUIDE, Accelerator Pedal to Lever.....	3.431
GEAR, Tachometer.....	9.750	GUIDE, Ash Receiver Mounting.....	12.016
GEAR, Transmission Countershaft.....	4.421	GUIDE, Back Window (Safety).....	11.204
GEAR, Transmission Main Drive (Clutch).....	4.351	GUIDE, Belt Assy. and Strap Unit.....	14.875A
GEAR, Transmission Planet.....	4.175	GUIDE, Cowl.....	9.789
GEAR, Transmission Rear Unit.....	4.187	GUIDE, Differential Clutch (Positraction).....	5.511
GEAR, Transmission Reverse Idler (w/ bushings).....	4.430	GUIDE, Door Window.....	10.728
GEAR, Transmission Speedometer Driven Gears (only).....	4.337		
GEAR, Transmission Sun Gear and Parts.....	4.159		
GEAR, Transmission 1st and Reverse Sliding.....	4.417		
GEAR, Transmission 2nd Speed.....	4.395		
GEAR, Transmission 3rd Speed.....	4.415		

ALPHABETICAL INDEX

GUIDE, Folding Top Compartment Lid	12.2424	HOOK, Coat.....	15.388
GUIDE, Folding Top Roof Rail.....	14.090	HORN ASSY., Carburetor Air.....	3.730
GUIDE, Fuel Tank Strap.....	3.023	HORN ASSY., Horn.....	2.810
GUIDE, Hood Catch Cord Tube.....	8.077	HORN ASSY., Ignition Switch Warning and Theft Alarm.....	2.195
GUIDE, Hood Lock Release.....	8.075	HORN UNIT, Horn.....	2.810
GUIDE, Inlet and Exhaust Valve Stem.....	0.283	HOSE, Air Cleaner.....	3.417
GUIDE, Manual Valve.....	4.218	HOSE, Air Conditioning Freon System.....	9.225
GUIDE, Parking Brake Apply.....	4.591	HOSE, Air Conditioning Refrigerant Line (Fitting Pkgs. Include O Rings and Hose Clamps).....	9.222
GUIDE, Parking Brake Cable.....	4.785	HOSE, Air Flow.....	9.786
GUIDE, Steering Gear Ball Return.....	6.842	HOSE, Air Injection Reactor.....	3.675
GUIDE, Tilt or Tel. Steering Column.....	6.514	HOSE ASSEMBLY, Hydraulic Brake.....	4.680
GUIDE, Valve Push Rod.....	0.439	HOSE ASSY., Air Conditioning Control.....	9.281
GUSSET ASSY., Front Body Hinge.....	12.840	HOSE ASSY., Flexible-Fuel or Oil Lines.....	3.163
GUSSET, Crossmember.....	7.039	HOSE ASSY., Heater Vacuum Actuating.....	8.850
GUTTER, Cowl Side.....	12.804	HOSE, Automatic Choke Control.....	3.750
		HOSE, Concealed Headlamp Control Opening Cover.....	2.765
		HOSE, Coolant Pump By-Pass.....	1.097
		HOSE, Crankcase Ventilator-Outer.....	1.762
		HOSE, Defroster.....	9.779
		HOSE, Distributor Vacuum Control.....	2.420
		HOSE, Fuel Injector.....	3.330
		HOSE, Fuel Tank Evaporative Control.....	3.130
		HOSE, Fuel Tank Filler.....	3.003
		HOSE, Heater (See Group 1.166 for Clamps)	8.846
		HOSE, Oil Pressure.....	1.803
		HOSE, Radiator Inlet.....	1.159
		HOSE, Radiator Outlet.....	1.173
		HOSE, Rear Quarter Ventilator and Back Window Drain.....	10.997
		HOSE, Roof Ventilation.....	12.811
		HOSE, Steering Gear Pressure.....	6.670
		HOSE, Steering Gear Return.....	6.671
		HOSE, Vacuum.....	4.205
		HOUSING, Air Conditioning Compressor Shaft.....	9.175
		HOUSING, Air Conditioning Refrigerant (w/ Dehydrator).....	9.195
		HOUSING, Air Flow Control with Tube.....	9.787
		HOUSING, Air Flow.....	9.786
		HOUSING ASSY., Wheel Brake Rear Caliper.....	4.665B
		HOUSING ASSY., Brake Cyl. and Pedal Shaft (Also see group 0.847 for pedal shaft bracket).....	4.648
		HOUSING ASSY., Carburetor (with Leather and Shaft).....	3.838
		HOUSING ASSY., Cigarette Lighter.....	9.709
		HOUSING ASSY., Corvette Top Roof Outer....	12.810
		HOUSING ASSY., Door Outside Locking (less cylinder).....	10.527
		HOUSING ASSY., Front Door Window.....	10.783
		HOUSING ASSY., Gas Tank Filler Neck Compartment.....	12.945
		HOUSING ASSY., Mast (Also see group 6.803).....	6.518
		HOUSING ASSY., Parking Lamp.....	2.586
		HOUSING ASSY., Steering Gear Hydraulic Pump.....	6.608
		HOUSING ASSY., Tail and Stop Lamp.....	2.680
		HOUSING, Automatic Choke Control.....	3.750
		HOUSING, Carburetor Power.....	3.858
		HOUSING, Concealed Headlamp Control Drive.....	2.760
		HOUSING, Concealed Headlamp Opening Cover.....	2.770
		HOUSING, Direction Control Switch.....	2.906
		HOUSING, Distributor.....	2.362
		HOUSING, Dome Lamp.....	11.927
		HOUSING, Door Dovetail Bumper Wedge.....	10.584
		HOUSING, Door Handle Push Button.....	10.529
		HOUSING, Door Outside Handle Push Button and Lock Cylinder.....	10.552
		HOUSING, Flywheel and Clutch.....	0.683
		HOUSING, Folding Top Front Roof Rail.....	14.080
		HOUSING, Gearshift Hand Lever.....	4.010
		HOUSING, Heater.....	8.852
		HOUSING, Instrument Case.....	9.746
		HOUSING, Radiator (Mouldings in group 1.268).....	1.266
		HOUSING, Radio Speaker.....	9.665
		HOUSING, Rear Compartment Lid Lock.....	12.249

H

HAMMER ASSY., Wheel and Tire, Emergency Equipment.....	8.821
HANDLE ASSY., Door Inside Locking Rod.....	10.559
HANDLE ASSY., Front Door Trim Finish.....	14.691
HANDLE ASSY., Rear Compartment Floor.....	12.981
HANDLE, Auto.....	8.820
HANDLE, Door Lock Inside.....	10.512
HANDLE, Door Outside Locking (less cylinder).....	10.527
HANDLE, Door Ventilator Regulator.....	10.664
HANDLE, Door Window Regulator.....	10.797
HANDLE, Front Seat Adjuster.....	11.588
HANDLE, Gearshift Control (Hand).....	4.006
HANDLE, Parking Brake.....	4.592
HANDLE, Quarter Window Regular.....	11.044
HANDLE, Rear Compartment Floor.....	12.981
HANGER, Muffler.....	3.704
HANGER, Rear Spring Front and Rear.....	7.112
HARNESS, Air Conditioning Compressor (Internal).....	9.172
HARNESS ASSY., Air Conditioning, Electrical.....	9.276
HARNESS ASSY., Chassis Wiring (Segmented).....	2.480
HARNESS ASSY., Ignition Switch Warning and Theft Alarm.....	2.195
HARNESS ASSY., Seat and Shoulder.....	14.875
HARNESS, Body Wiring, Electrical Equipment Wiring (See Group 2.480 for Chassis Wiring Harness and Extension) ..	13.090
HARNESS, Heater.....	8.852
HARNESS, Ignition Pulse (Transistorized).....	2.383
HARNESS, Starting, Ignition.....	2.525
HARNESS UNIT, Seat and Shoulder.....	14.875
HARNESS UNIT, Trailer.....	7.068
HEAD, Air Conditioning Compressor (External).....	9.174
HEAD ASSY., Speedometer and Odometer (Miles).....	9.761
HEAD, Cylinder.....	0.269
HEADER, Folding Top Front Roof.....	14.050
HEADLAMP ASSY., Complete with Sealed Beam.....	2.725
HEAD RESTRAINT ASSY., Front Seat Back Head Restraint.....	14.924
HEATER INSTALLATION UNIT, Hot Water....	8.845
HEATER UNIT, Engine Heater.....	1.152
HEAT SINK ASSY., Generator (Current Regulator Listed in Group 2.500).....	2.319
HINGE ASSY., Rear Compartment Floor.....	12.981
HINGE, Fldg. Top Frame Riveted.....	13.365
HINGE, Front Door, Upper.....	10.450
HINGE, Gas Tank Filler Neck Compartment...	12.945
HINGE, Hood Panel.....	8.015
HINGE, Rear Compartment.....	12.184
HINGE, Side Seat Hinge Arm.....	11.375
HITCH UNIT, Trailer.....	7.068
HOLDER, Front Door Ventilator.....	10.661
HOLDER, Front Door Window.....	10.783
HOLDER, Fuel Injector Metering.....	3.332
HOLDER, Starting Motor Brush.....	2.052
HOLDER UNIT, Carburetor Metering.....	3.806
HOLDER UNIT, Generator Brush.....	2.291

ALPHABETICAL INDEX

HOUSING, Starting Motor Drive, with Bushing	2.085
HOUSING, Steering Gear.....	6.803
HOUSING, Transmission Clutch.....	4.169
HOUSING, Transmission Gearshift Shaft or Tube (Lower).....	4.030
HOUSING UNIT, Thermostat.....	1.251
HOUSING, Wheel Brake Front Caliper.....	4.665A
HOUSING, Windshield Wiper.....	10.154
HUB ASSY., Steering Wheel Hub.....	6.512
HUB CAP, Wheel.....	5.858
HUB, Front Wheel.....	6.307
HUB, Transmission.....	4.164
HUB, Wheel Cover Appearance.....	5.871
Hydraulic Brake Main.....	4.650

I

INFLATER ASSY., Tire.....	5.880
INLET ASSY., Air Conditioning Refrigerant (w/Dehydrator).....	9.195
INLET ASSY., Defroster.....	9.779
INSERT ASSY., Windshield Wiper.....	10.146
INSERT, Brake Connector.....	4.671
INSERT, Carburetor Float.....	3.734
INSERT, Concealed Headlamp Control Opening Cover.....	2.765
INSERT, Concealed Headlamp Motor.....	2.755
INSERT, Cylinder Head.....	0.293
INSERT, Folding Top Roof Rail.....	14.090
INSERT, Instrument Panel.....	14.655
INSERT, Lighting Monitor.....	2.584
INSERT, Main Cylinder Outlet Fitting.....	4.661
INSERT, Rear Quarter Trim.....	15.100
INSERT, Seat Cushion and Trim.....	14.804
INSERT, Transmission Gearshift Hand Lever (Floor Mounted).....	4.017
INSULATION ASSY., Floor (less rear compartment floor pan).....	12.980
INSULATION, Air Conditioning Evaporator Expansion.....	9.213
INSULATION, Floor (less rear compartment floor pan).....	12.980
INSULATION, Starting Motor Field.....	2.049
INSULATOR, Air Conditioning Evaporator Expansion.....	9.213
INSULATOR, Body Mounting.....	9.023
INSULATOR, Brake Caliper.....	4.668
INSULATOR, Carburetor to Manifold.....	3.726
INSULATOR, Concealed Headlamp Opening Cover.....	2.770
INSULATOR, Dash Panel.....	15.280
INSULATOR, Electrical Output (see group 9.748 for tell tale windows).....	2.515
INSULATOR, Floor (less rear compartment floor pan).....	12.980
INSULATOR, Front and Rear Bumper Shock..	7.840
INSULATOR, Generator.....	2.313
INSULATOR, Hood Panel.....	8.021
INSULATOR, Horn Button and Blowing Ring.	2.819
INSULATOR, Hot Water.....	8.845
INSULATOR, Ignition Pulse (Transistorized)...	2.383
INSULATOR, Instrument Case.....	9.749
INSULATOR, Muffler.....	3.704
INSULATOR, Radiator Core.....	1.270
INSULATOR, Valve Rocker Cover and Support (Also See Group 0.366).....	0.413
INTERLOCK, Control Shaft or Tube.....	4.027
INTERLOCK, Gearshift.....	4.307

J

JACK, Auto.....	8.820
JACKET, Mast (Also see group 6.803).....	6.518
JAR, Windshield Wiper.....	10.154
JET, Carburetor Metering Rod, with Gasket...	3.792

K

KEY, Air Conditioning Compressor Clutch Actuating.....	9.188
KEY BLANK, Rear Compartment Lock Handle.....	12.251
KEY, Door Lock Outside Locking Handle.....	10.550
KEY, Hydraulic Steering Adapter.....	6.560
KEY, Ignition-Door-Compartment-Trunk-Gas Tank Cap-Tire Locks.....	2.187
KEY, Instrument Panel Compartment Door.....	10.266
KEY, Speedometer Adapter.....	4.330
KEY, Transmission Synchronizing.....	4.384
KEY, Valve Stem.....	0.310
KIT, Back Window (Safety).....	11.204
KIT, Crankcase.....	1.745
KIT, Electrical.....	2.530
KIT, Fuel and Vacuum Pump Repair.....	3.925
KIT, Fuel Meter.....	3.322
KIT, Hydraulic Steering (Small Parts) (see Groups 6.551 for adapter kits and 6.609, 6.610, 6.612, 6.614 for pump kits).....	6.507
KIT, Quarter Window (safety).....	11.011
KIT, Steering Gear Hydraulic Pump.....	6.609
KIT, Transmission Gearshift.....	4.004
KIT, Windshield (Safety).....	10.027
KIT, Windshield Wiper.....	10.150
KNOB, Air Cond. Evap. Air Distributor.....	9.262
KNOB, Air Flow Control with Tube.....	9.787
KNOB ASSY., Rear Window.....	9.778
KNOB ASSY., Seat Back Lock.....	11.390
KNOB, Cigarette Lighter.....	9.709
KNOB, Clock.....	9.772
KNOB, Direction Signal Lamp.....	2.897
KNOB, Door Inside Locking Rod.....	10.559
KNOB, Door Lock Inside.....	10.512
KNOB, Door Ventilator Regulator.....	10.664
KNOB, Emergency and Safety.....	2.575
KNOB, Front Seat Adjuster.....	11.588
KNOB, Gearshift Control (Hand).....	4.006
KNOB, Heater.....	8.852
KNOB, Radio Control.....	9.649
KNOB, Speed Indicator.....	9.762
KNOB, Speedometer and Odometer (Miles)....	9.761
KNOB, Tilt or Tel. Steering Column.....	6.514
KNOB, Windshield Wiper Control.....	10.164
KNUCKLE ASSY., Steering.....	6.020

L

LAMP ASSY., Back-Up.....	2.697
LAMP ASSY., Emergency and Safety.....	2.575
LAMP ASSY., Parking.....	2.585
LAMP ASSY., Rear License, Complete with Bulb.....	2.700
LAMP ASSY., Tail and Stop (see group 2.689 for reflex reflector).....	2.679
LAMP UNIT, Safety Light.....	9.773
LEAD ASSY., Distributor Spark Advance Trans. Electric Control (Also see Group 4.075).....	2.408
LEAD ASSY., Transmission Smog Control.....	4.075
LEAD, Distributor Terminal.....	2.400
LEAD, Starting Motor Brush.....	2.055
LEAF, Rear Spring.....	7.505
LENS, Back-Up.....	2.697
LENS, Dome Lamp.....	11.928
LENS, Fiber Optic Conductor.....	2.583
LENS, Instrument Case Face.....	9.748
LENS, Instrument Panel Compartment, Seat Separator Compartment and Courtesy....	10.275
LENS, Parking Lamp.....	2.589
LENS, Rear License Lamp.....	2.709
LENS, Rear View Mirror.....	10.186
LENS, Tail Lamp (Also see 2.899 for Additional Lens).....	2.682
LETTER UNIT, Hood (Also See Group 1.303)	8.055
LETTER UNIT, Rear Compartment Lid and Rear End Panel.....	12.182

ALPHABETICAL INDEX

LEVEL INDICATOR, Windshield Wiper	10.154	LOCK, Transmission Main Drive Gear	
LEVER, Accelerator	3.454	Bearing	4.356
LEVER, Air Cond. Evap. Air Distributor	9.262	LOGIC ASSY.	13.095
LEVER ASSY., Carburetor Power	3.858	LOUVER, Front Fender (Also see Group	
LEVER ASSY., Parking Brake Apply	4.591	17.507)	8.147
LEVER ASSY., Steering Idler	6.895	LUBRICANT, Hypoid Gear	5.535
LEVER ASSY., Transmission Detent	4.279	LUBRICATOR UNIT, Distributor Lubricating..	2.364
LEVER ASSY., Transmission Gearshift Shaft		LUG, Headlamp Lens and Sealed Beam	
or Tube (Lower)	4.030	Retaining	2.736
LEVER ASSY., Transmission Gearshift	4.004		
LEVER ASSY., Transmission Throttle Valve...	4.278	M	
LEVER, Back-Up	2.698	MAGNET UNIT, Transmission Case	4.105
LEVER, Brake Shoe Automatic Adjusting	5.103	MAGNET, Windshield Wiper	10.150
LEVER, Carburetor and Fuel Injection Choke.	3.752	MANIFOLD, Engine Exhaust (intake manifold	
LEVER, Carburetor and Fuel Injection Fast		in group 3.265)	3.601
Idle	3.766	MANIFOLD, Engine Intake (exhaust manifold	
LEVER, Carburetor Pump	3.842	in group 3.601)	3.265
LEVER, Carburetor Throttle	3.762	MAT ASSY., Dash Panel	15.280
LEVER, Clutch Pedal, Intermediate (See		MATERIAL, Folding Top-Rear	14.340
Group 4.648 for brake)	0.852	MAT, Front Floor	15.286
LEVER, Clutch Release	0.874	MAT, Rear Compartment	15.222
LEVER, Direction Signal Lamp	2.897	MEMBER ASSY., Engine (Attaches to frame	
LEVER, Directional Signal Lamp (See Group		side rails)	7.011
9.748 tell tale windows)	2.895	MEMBER ASSY., Front Frame to Bumper	
LEVER, Emergency and Safety	2.575	Attaching (Also See Group 7.869)	7.836
LEVER, Folding Top-Rear	14.340	MEMBER ASSY., Rear Axle Control Arm	5.380
LEVER, Gearshift Control (Hand)	4.006	MEMBER, Frame Cross, Intermediate (See	
LEVER, Manual Valve	4.218	Group 7.011 for Engine and	
LEVER, Parking Brake Cross Shaft and Idler.	4.792	Transmission Support Cross Member)	7.012
LEVER, Parking Brake Shoe	5.149	MEMBER, Frame Cross, Rear	7.014
LEVER, Reverse Brake Band	4.246	MEMBER, Transmission Mounting	4.081
LEVER, Seat Back Lock	11.390	METER ASSY., Fuel Tank	3.107
LEVER SHAFT ASSY., Shifter	4.302	MIRROR ASSY., Rear View	10.185
LEVER, Starting Motor Drive Shaft	2.108	MIRROR UNIT, Rear View	10.185
LEVER, Tilt or Tel. Steering Column	6.514	MODULATOR UNIT, Vacuum	4.205
LEVER, Transmission Gearshift Shaft or		MODULATOR, Vacuum	4.205
Tube (Lower)	4.030	MODULE, Ignition Pulse (Transistorized)	2.383
LEVER, Transmission Mounted Gearshift		MOTOR ASSY., Air Conditioning Evaporator	
(External)	4.045	Blower Motor	9.216
LEVER, Transmission Throttle Valve Control		MOTOR ASSY., Concealed Headlamp	
(T.V.)	4.050	Control Drive	2.760
LEVER, Vacuum Power Brake Cylinder		MOTOR ASSY., Front Door Window	10.783
Reaction	4.934	MOTOR ASSY., Starter	2.041
LID ASSY., Folding Top Compartment	12.170	MOTOR, Heater and Evaporator	8.855
LIMITER, Carburetor and Fuel Injection Idle		MOTOR, Rear Window	9.778
Adjusting Screw	3.823	MOTOR UNIT, Roof Ventilation	12.811
LINER, Front Panel Access Hole	10.355	MOTOR, Windshield Wiper	10.150
LINER, Horn Button and Blowing Ring	2.819	MOULDING ASSY., Corvette Side Door	12.112
LINER, Spring Leaf	7.495	MOULDING ASSY., Roof Drip	12.075
LINK, Air Flow	9.786	MOULDING, Back Window Garnish	11.120
LINK ASSY., Fuel Meter Enrichment	3.320	MOULDING, Back Window Glass Reveal	11.208
LINK, Brake Shoe Automatic Adjusting Lever	5.105	MOULDING, Body Sill	8.304
LINK, Carburetor and Fuel Injection Choke....	3.752	MOULDING, Corvette Top Roof Outer	12.810
LINK, Carburetor Air Meter Fast Idle Cam	3.768	MOULDING, Door Window Glass	10.710
LINK, Carburetor Pump Connector	3.843	MOULDING, Front Door Ventilator Glass	
LINK, Carburetor	3.755	(with tee shaft)	10.655
LINK, Concealed Headlamp Control Opening		MOULDING, Front Door Window Reveal	10.707
Cover	2.765	MOULDING, Front Fender (See Group 8.147	
LINK, Folding Top Side Roof Rail Control	14.140	for Front Fender Mouldings which	
LINK, Folding Top-Rear	14.340	include Series Designations)	8.132
LINK, Stabilizer	7.240	MOULDING, Front Seat Side Trim	14.818
LINK UNIT, Reverse Brake Band	4.246	MOULDING, Hardtop	13.346A
LINK, Wheel Cyl. to Brake Shoe Thrust	4.675	MOULDING, Headlamp (rim or door)	2.728
LOCK ASSY., Back Window Glass (rubber)	11.207	MOULDING, Instrument Panel	10.252
LOCK ASSY., Corvette Top Roof Outer	12.810	MOULDING, Manifold	3.602
LOCK ASSY., Folding Top Compartment Lid..	12.242A	MOULDING, Quarter Window Reveal	11.031
LOCK ASSY., Hood Lock-Upper	8.083	MOULDING, Radiator Grille	1.268
LOCK ASSY., Ignition Switch	2.188	MOULDING, Rear Compartment Lid and	
LOCK ASSY., Lock Parts, Folding and		Rear End Panel	12.182
Hardtop	14.080A	MOULDING, Roof Drip	12.075
LOCK ASSY., Rear Compartment Lid	12.242	MOULDING, Side Roof Rail and Body Lock	
LOCK ASSY., Seat Back Lock	11.390	Pillar	10.721
LOCK, Camshaft Sprocket	0.738	MOULDING UNIT, Hood Top-Side, Front	8.015A
LOCK, Corvette Top Roof Outer	12.810	MOULDING, Windshield Garnish	10.051
LOCK, Crankcase Front End	0.206	MOULDING, Windshield Reveal	10.093
LOCK, Exhaust Manifold Bolt	3.604	MOUNTING ASSY., Transmission Mounting ..	4.081
LOCK, Front Door	10.470	MOUNTING, Engine (also see group 4.081) ..	0.027
LOCK, Gearshift	4.307	MUFFLER, Air Conditioning Compressor	
LOCK, Muffler Exhaust Pipe and Tail Pipe	3.708	Suction and Discharge	9.226
LOCKNUT, Steering Gear Housing End		MUFFLER, Engine Exhaust	3.701
Cover Worm Bearing	6.830		
LOCK, Rear Axle 'U' Joint	5.428		
LOCK RING, 'U' Joint Trunnion and Yoke	5.586		
LOCK, Transmission Control Idler Attaching..	4.042		

ALPHABETICAL INDEX

MUFFLER PKG., Air Conditioning Refrigerant Line (Fitting Pkgs. Include O Rings and Hose Clamps)..... 9.222

N

NECK ASSY., Fuel Tank Filler..... 3.003
 NEEDLE, Carburetor Pump Outlet Valve..... 3.825
 NEEDLE UNIT, Carburetor and Fuel Injection Idle Adjusting..... 3.822
 NEEDLE UNIT, Carburetor and Fuel Meter Intake (with Seat and Gasket)..... 3.814
 NIPPLE, Air Suspension Level Control..... 7.447
 NIPPLE, Fuel Tank Filler..... 3.003
 NIPPLE, Heater..... 8.866
 NIPPLE, Rear Quarter Ventilator and Back Window Drain..... 10.997
 NIPPLE, Spark Plug Wire..... 2.258
 NOZZLE ASSY., Headlamp Washer..... 2.780
 NOZZLE ASSY., Windshield Wiper..... 10.156
 NOZZLE, Carburetor..... 3.774
 NOZZLE, Fuel Injector Metering..... 3.332
 NUMERAL, Hood (Also See Group 1.303)..... 8.055
 NUT, A/C Electric Temperature and Blower Motor Control..... 9.275
 NUT, Air Cond. Evap. Air Distributor..... 9.262
 NUT, Air Conditioning Compressor Pulley..... 9.181
 NUT, Air Duct..... 9.782
 NUT, Air Flow Control with Tube..... 9.787
 NUT, Air Injection Reactor Pump Mounting... 3.655
 NUT ASSY., Door Arm Rest and Trim Pad..... 14.688
 NUT ASSY., Instrument Panel Compartment Door..... 10.262
 NUT ASSY., Lighting Switch, with Knob..... 2.486
 NUT ASSY., Luggage Deck Lid..... 12.815
 NUT ASSY., Radiator Grille..... 1.267
 NUT ASSY., Rear Door and Quarter Moulding..... 12.118A
 NUT ASSY., Rear Compartment Lid and Rear End Panel..... 12.182
 NUT ASSY., Wheel Cover Appearance..... 5.871
 NUT, Back Window Glass Reveal Moulding... 11.209
 NUT, Body Rear End (plastic laminate)..... 12.986
 NUT, Body Sill Moulding..... 8.309
 NUT, Brake Band Adjusting..... 4.253
 NUT, Brake Shoe Adjusting Screw..... 5.111
 NUT, Carburetor and Fuel Meter Fuel Inlet... 3.740
 NUT, Carburetor and Fuel Meter Intake (with Seat and Gasket)..... 3.814
 NUT, Carburetor Throttle..... 3.762
 NUT, Clock..... 9.772
 NUT, Clutch Fork Push Rod..... 0.793
 NUT, Clutch Release Lever..... 0.873
 NUT, Connecting Rod Bearing Cap Bolt..... 0.626
 NUT, Corvette Top Roof Outer..... 12.810
 NUT, Cowl Belt..... 12.110
 NUT, Differential Bearing Adjusting..... 5.537
 NUT, Distributor Terminal..... 2.401
 NUT, Dome Lamp..... 11.927
 NUT, Door Window Regulator Manual or Electric..... 10.792
 NUT, Door Window..... 10.716
 NUT, Door Window..... 10.728
 NUT, Electrical Output (See Group 2.319 for Breaker)..... 2.500
 NUT, Emergency and Safety..... 2.575
 NUT, Exhaust Pipe Support..... 3.616
 NUT, Exhaust Pipe..... 3.613
 NUT, Fittings Oil Pipe (Also See Group 8.963)..... 1.531
 NUT, Folding Top Compartment Lid Lock..... 12.237A
 NUT, Folding Top Front Roof..... 14.050
 NUT, Folding Top Side Roof Rail..... 14.157
 NUT, Front and Rear Bumper Shock..... 7.840
 NUT, Front Door Ventilator..... 10.670
 NUT, Front Fender (Also see Group 17.507).. 8.147
 NUT, Fuel Injector..... 3.330
 NUT, Fuel Meter Control..... 3.318
 NUT, Gas Tank Filler Neck Compartment..... 12.945
 NUT, Gearshift Rod to Lever..... 4.037
 NUT, Generator Armature..... 2.280

NUT, Hardtop..... 13.346A
 NUT, Headlamp Beam Adjusting..... 2.737
 NUT, Headlamp Lens and Sealed Beam Retaining..... 2.736
 NUT, Headlamp Moulding..... 2.729
 NUT, Heater..... 8.857
 NUT, Hood Lock Release..... 8.075
 NUT, Hub Front and Rear..... 5.813
 NUT, Hydraulic Steering Cylinder..... 6.575
 NUT, Ignition Lock..... 2.198
 NUT, Ignition Switch Warning and Theft Alarm..... 2.195
 NUT, Instrument Panel Compartment, Seat Separator Compartment and Courtesy.... 10.275
 NUT, Instrument..... 9.743
 NUT KIT, Air Conditioning less Clutch..... 9.170
 NUT, License Plate..... 7.800
 NUT, Luggage Deck Lid..... 12.815
 NUT, Pitman Arm..... 6.861
 NUT, Propeller Shaft Pinion Flange..... 5.595
 NUT, Radiator Grille and Engine Baffle Attaching..... 1.276
 NUT, Radio and Stereo Mounting..... 9.667
 NUT, Radio Noise Suppression..... 9.663
 NUT, Rear Axle Control Arm..... 5.383
 NUT, Rear Axle..... 5.829
 NUT, Rear Compartment Emblem..... 12.246
 NUT, Rear Compartment Floor..... 12.981
 NUT, Rear Compartment..... 12.184
 NUT, Rear Spring..... 7.516
 NUT, Rear Window..... 9.778
 NUT, Seat Back with Springs (less Cushion).. 11.373
 NUT, Shock Absorber Frame..... 7.395
 NUT, Shock Absorber..... 7.347
 NUT, Speedometer and Odometer (Miles)..... 9.761
 NUT, Stabilizer Link..... 7.238
 NUT, Starting Motor..... 2.104
 NUT, Steering Gear Ball..... 6.841
 NUT, Steering Gear Hydraulic Pump..... 6.655
 NUT, Steering Gear Worm Bearing..... 6.832
 NUT, Steering Knuckle Lower Control Arm Attaching..... 6.172
 NUT, Steering Knuckle Lower Control Arm Pivot..... 6.174
 NUT, Steering Knuckle Spindle..... 6.022
 NUT, Steering Knuckle Upper Control Arm... 6.178
 NUT, Steering Shaft U-Joint..... 6.525
 NUT, Stop Lamp..... 2.447
 NUT, Sunshade..... 10.219
 NUT, Tail Lamp..... 2.660
 NUT, Trans..... 4.115A
 NUT, Transmission Gearshift Hand Lever (Floor Mounted)..... 4.017
 NUT, Transmission Main Drive Gear Bearing. 4.356
 NUT, Transmission Main Valve Body..... 4.217
 NUT, Trim Body Center Pillar (With Metal Inner Panel)..... 14.730
 NUT, Vacuum Power Brake..... 4.901
 NUT, Valve Push Rod Adjusting..... 0.429
 NUT, Windshield Washer Access Door..... 10.130
 NUT, Windshield Wiper..... 10.163

O

OCTANE ADJUSTMENT UNIT, Distributor Spark Advance Trans. Electric Control (Also see Group 4.075)..... 2.408
 OIL, Engine Concentrate..... 1.850
 OIL, Steering Gear Hydraulic..... 6.605
 ORDINATOR ASSY., Windshield Washer..... 10.153
 ORNAMENT, Front Fender (Also see Group 17.507)..... 8.147
 ORNAMENT, Hood (Also See Group 1.303)... 8.055
 ORNAMENT, Wheel Cover Appearance..... 5.871
 OUTLET ASSY., Air Cond. Evap. Air Distributor..... 9.262
 OUTLET, Coolant..... 1.153
 OUTLET, Cowl..... 9.789

ALPHABETICAL INDEX

P

<p>PACKING, Automatic Choke Control..... 3.750</p> <p>PACKING, Exhaust Pipe..... 3.611</p> <p>PACKING, Fuel Injection..... 3.750A</p> <p>PACKING, Mast Jacket..... 6.521</p> <p>PAD ASSY., Front Floor..... 15.300</p> <p>PAD ASSY., Front Seat Cushion (rubber)..... 14.890</p> <p>PAD, Brake and Clutch Pedal..... 4.630</p> <p>PAD, Door Lock Remote Control Connecting..... 10.506</p> <p>PAD, Front Door Glass Lower Sash Channel.. 10.687</p> <p>PAD, Front Seat Back Head Restraint..... 14.924</p> <p>PAD, Front Seat Back..... 14.802</p> <p>PAD, Instrument Panel..... 14.655</p> <p>PAD, Rear Quarter Trim..... 15.100</p> <p>PAD, Side Door..... 10.587</p> <p>PAN ASSY., Oil..... 1.426</p> <p>PANEL, Air Cond. Evap. Air Distributor..... 9.262</p> <p>PANEL ASSY., Back Window Inner..... 12.964</p> <p>PANEL ASSY., Corvette Top Roof Outer..... 12.810</p> <p>PANEL ASSY., Folding Top Front Roof..... 14.050</p> <p>PANEL ASSY., Front Door..... 14.685</p> <p>PANEL ASSY., Hardtop..... 13.346A</p> <p>PANEL ASSY., Rear Quarter Trim..... 15.100</p> <p>PANEL ASSY., Rear Roof Panel Headlining.... 14.640E</p> <p>PANEL ASSY., Seat Back..... 11.358</p> <p>PANEL, Body Back Lower (Rear End)..... 12.966</p> <p>PANEL, Body Rear End (plastic laminate)..... 12.986</p> <p>PANEL CONVERSION UNIT, Hood Top..... 8.000</p> <p>PANEL, Corvette Rocker (plastic-laminate).... 12.934</p> <p>PANEL, Corvette Top Roof Outer..... 12.810</p> <p>PANEL, Cowl and Dash..... 12.803</p> <p>PANEL, Cowl Side..... 12.804</p> <p>PANEL, Cowl Trim..... 14.630</p> <p>PANEL, Cowl Ventilator..... 12.800</p> <p>PANEL, Cowl..... 9.789</p> <p>PANEL, Folding Top Compartment..... 12.170</p> <p>PANEL, Front (Less Paint, Trim and Hardware)..... 10.351</p> <p>PANEL, Front Compartment Rear..... 15.103</p> <p>PANEL, Front..... 8.130</p> <p>PANEL, Instrument Panel to Dash..... 10.230</p> <p>PANEL, Radiator..... 1.263</p> <p>PANEL, Rear Body Lock Pillar..... 12.942</p> <p>PANEL, Rear Compartment Floor..... 12.981</p> <p>PANEL, Rear Quarter Side Outer (Outer panel only)..... 12.940</p> <p>PANEL, Rear Roof Panel Headlining..... 14.640E</p> <p>PANEL, Tail and Stop Lamp..... 2.680</p> <p>PANEL, Windshield Washer Access Door..... 10.130</p> <p>PAN, Transmission Oil..... 4.195</p> <p>PAN UNIT, Oil..... 1.426</p> <p>PAWL, Directional Signal Lamp (See Group 9.748 tell tale windows)..... 2.895</p> <p>PAWL, Door Handle Push Button..... 10.529</p> <p>PAWL, Door Outside Lock Handle Cylinder.... 10.551</p> <p>PAWL, Parking Brake Lever Release..... 4.595</p> <p>PAWL, Transmission Parking Brake..... 4.294</p> <p>PAWL, Transmission Parking Lock..... 4.220</p> <p>PAWL, Windshield Washer..... 10.153</p> <p>PAWL, Windshield Wiper Motor Aux..... 10.151</p> <p>PEDAL, Accelerator..... 3.451</p> <p>PEDAL ASSY., Brake..... 4.625</p> <p>PEDAL, Clutch..... 0.830</p> <p>PEDAL, Headlamp Dimmer..... 2.459</p> <p>PILLAR ASSY., Front Body Hinge..... 12.840</p> <p>PILLAR ASSY., Rear Body Lock Pillar..... 12.942</p> <p>PILLAR, Front Body Hinge..... 12.840</p> <p>PILLAR, Rear Body Lock Pillar..... 12.942</p> <p>PIN, Accelerator Pedal..... 3.452</p> <p>PIN, Air Conditioning Compressor Mounting.. 9.171</p> <p>PIN, Air Conditioning Compressor Pressure Relief..... 9.178</p> <p>PIN, Air Flow..... 9.786</p> <p>PIN, Brake Shoe Anchor..... 5.055</p> <p>PIN, Brake Shoe..... 5.041</p> <p>PIN, Camshaft Sprocket..... 0.738</p> <p>PIN, Carburetor and Fuel Injection Choke..... 3.752</p> <p>PIN, Carburetor and Fuel Meter Float Lever... 3.747</p> <p>PIN, Carburetor Throttle Return Check..... 3.440</p> <p>PIN, Carburetor Throttle..... 3.762</p> <p>PIN, Clutch Fork Push Rod..... 0.793</p> <p>PIN, Clutch Release Lever..... 0.875</p>	<p>PIN, Concealed Headlamp Control Opening Cover..... 2.765</p> <p>PIN, Control Shaft or Tube..... 4.027</p> <p>PIN, Corvette Top Roof Outer..... 12.810</p> <p>PIN, Cowl..... 9.789</p> <p>PIN, Crankcase Front End..... 0.206</p> <p>PIN, Crankshaft Bearing Cap..... 0.107</p> <p>PIN, Cylinder Head..... 0.293</p> <p>PIN, Distributor Gear..... 2.379</p> <p>PIN, Door Dovetail Bumper Wedge..... 10.584</p> <p>PIN, Door Hinge..... 10.466</p> <p>PIN, Door Inside Locking Rod..... 10.565</p> <p>PIN, Folding Top Clevis..... 14.478</p> <p>PIN, Front Door, Upper..... 10.450</p> <p>PIN, Front or Rear..... 5.803</p> <p>PIN, Fuel Injection Distributor..... 3.340</p> <p>PIN, Gas Tank Filler Neck Compartment..... 12.945</p> <p>PIN, Gearshift Control Hand Lever..... 4.008</p> <p>PIN, Gearshift Detent..... 4.311</p> <p>PIN, Gearshift..... 4.307</p> <p>PIN, Hood Lock-Lower..... 8.080</p> <p>PIN, Hood Upper Lock Plate..... 8.085</p> <p>PINION UNIT, Transmission Planet..... 4.175</p> <p>PIN, King..... 6.203</p> <p>PIN, King Pin Lock..... 6.216</p> <p>PIN, Lock Parts, Folding and Hardtop..... 14.080A</p> <p>PIN, Luggage Deck Lid..... 12.815</p> <p>PIN, Main Cylinder Adjusting..... 4.662</p> <p>PIN, Main Valve..... 4.216</p> <p>PIN, Manifold Heat Control Valve..... 3.641</p> <p>PIN, Oil Pump Shaft..... 1.639</p> <p>PIN, Oil Pump..... 4.203</p> <p>PIN, Parking Brake Lever Release..... 4.595</p> <p>PIN, Parking Brake Lever..... 4.606</p> <p>PIN, Piston..... 0.636</p> <p>PIN, Rear Spring..... 7.529</p> <p>PIN, Reverse Servo..... 4.241</p> <p>PIN, Starting Motor Brush..... 2.052</p> <p>PIN, Starting Motor Drive Shaft..... 2.108</p> <p>PIN, Steering Gear Hydraulic Pump..... 6.608</p> <p>PIN, Tilt or Tel. Steering Column..... 6.514</p> <p>PIN, Trans..... 4.115A</p> <p>PIN, Transmission Control Safety..... 4.054</p> <p>PIN, Transmission Front Servo..... 4.226</p> <p>PIN, Transmission Gearshift Control Cable.... 4.047</p> <p>PIN, Transmission Low and Drive Valve..... 4.265</p> <p>PIN, Transmission Parking Lock..... 4.220</p> <p>PIN, Transmission Reverse Idler Shaft..... 4.435</p> <p>PIN, Transmission Throttle Valve Operating Parts..... 4.275</p> <p>PIN, Transmission..... 4.256</p> <p>PIN, Trans. Oil Control..... 4.265</p> <p>PIN UNIT, Brake Shoe Hold Down..... 5.043</p> <p>PIPE, Air Injection Reactor..... 3.675</p> <p>PIPE ASM., Catalytic..... 3.685</p> <p>PIPE ASSY., Automatic Choke Control..... 3.750</p> <p>PIPE ASSY., Flexible-Fuel or Oil Lines..... 3.163</p> <p>PIPE ASSY., Fuel Injector..... 3.330</p> <p>PIPE ASSY., Hydraulic Brake..... 4.685</p> <p>PIPE ASSY., Hydraulic Steering (Refer to Grp. 6.670)..... 6.677</p> <p>PIPE ASSY., Oil Pan Pump Suction..... 4.197</p> <p>PIPE ASSY., Oil Pressure..... 1.803</p> <p>PIPE ASSY., Transmission Oil..... 4.128</p> <p>PIPE ASSY., Vacuum..... 4.205</p> <p>PIPE, Carburetor and Fuel Meter Fuel Inlet... 3.740</p> <p>PIPE, Crankcase Ventilator-Outer..... 1.762</p> <p>PIPE, Exhaust Crossover..... 3.609</p> <p>PIPE, Exhaust Manifold..... 3.647</p> <p>PIPE, Oil..... 1.519</p> <p>PIPE, Steering Gear Pressure..... 6.670</p> <p>PIPE, Transmission Case..... 4.104</p> <p>PIPE, Transmission Oil..... 4.248</p> <p>PISTON, Air Conditioning Compressor (Internal)..... 9.172</p> <p>PISTON, Air Conditioning Evaporator By-Pass..... 9.198</p> <p>PISTON ASSEMBLY, with Pin..... 0.629</p> <p>PISTON ASSY., Brake Caliper..... 4.668</p> <p>PISTON ASSY., Windshield Washer..... 10.153</p> <p>PISTON, Brake Main Cylinder..... 4.653</p> <p>PISTON, Carburetor and Fuel Injection Choke..... 3.752</p> <p>PISTON, Carburetor Power..... 3.858</p>
--	--

ALPHABETICAL INDEX

PISTON, Low Servo	4.228	PLATE, Heater	8.857
PISTON, Reverse Servo	4.241	PLATE, Hood (Also See Group 1.303).....	8.055
PISTON, Transmission Clutch	4.166	PLATE, Hot Water	8.845
PISTON, Vacuum Power Brake Cylinder.....	4.922	PLATE, Ignition Switch Warning and Theft	
PIVOT, Brake Shoe Automatic Adjusting	5.103	Alarm	2.195
PIVOT, Concealed Headlamp Control		PLATE, Instrument Case	9.744
Opening Cover	2.765	PLATE, Instrument Panel	10.252
PLASTIGAGE, Crankshaft Bearing	0.093	PLATE, Instrument	9.743
PLATE, Accelerator	3.451	PLATE, Lever Hand (Floor Mounted).....	4.015
PLATE, Air Cond. Evap. Air Distributor.....	9.262	PLATE, Lock Parts, Folding and Hardtop	14.080A
PLATE, Air Conditioning Compressor Clutch		PLATE, Luggage Deck Lid	12.815
Actuating	9.188	PLATE, Oil Pump	4.203
PLATE, Air Conditioning Evaporator Core		PLATE, Planet Carrier	4.176
Housing	9.211	PLATE, Radiator (Mouldings in group 1.268)	1.266
PLATE, Air Conditioning, Electrical	9.276	PLATE, Rear Axle Control Arm.....	5.381
PLATE, Air Flow	9.786	PLATE, Rear Axle Rebound.....	5.390
PLATE ASSY., with Facing, Clutch	0.886	PLATE, Rear Body Lock Pillar	12.942
PLATE ASSY., Belt Assy. and Strap Unit.....	14.875A	PLATE, Rear Compartment Floor.....	12.981
PLATE ASSY., Brake Flange Front.....	5.001	PLATE, Rear Compartment Lid and Rear End	
PLATE ASSY., Brake Flange Rear.....	5.001A	Panel	12.182
PLATE ASSY., Clutch Pressure with Cover	0.859	PLATE, Rear Compartment Lid Lock	12.237
PLATE ASSY., Front Body Hinge	12.840	PLATE, Rear Shock Absorber Axle Anchor....	7.370
PLATE ASSY., Hood Lock-Lower.....	8.080	PLATE, Rear Spring U Bolt (See group	
PLATE ASSY., Hood Lock-Upper.....	8.083	5.403)	7.518
PLATE ASSY., Hood Panel	8.021	PLATE, Side Door Sill	11.175
PLATE ASSY., Radiator Core	1.270	PLATE, Stabilizer Link.....	7.245
PLATE ASSY., Rear View Mirror.....	10.186	PLATE, Steering Column Lock Bolt.....	6.500
PLATE ASSY., Rear Window	9.778	PLATE, Steering Column	6.758
PLATE, Automatic Choke Control	3.750	PLATE, Steering Gear Hydraulic Pump	6.609
PLATE, Back Window (Safety)	11.204	PLATE, Steering Gear Hydraulic Pump	6.612
PLATE, Brake and Clutch Pedal	4.630	PLATE, Tilt or Tel. Steering Column.....	6.514
PLATE, Brake Flange Rear	5.001A	PLATE, Transmission Synchronizing	4.384
PLATE, Brake Shoe Guide	5.045	PLATE, Trans. Oil Control.....	4.265
PLATE, Carburetor Air Valve	3.757	PLATE, Transmission Clutch Drive and	
PLATE, Carburetor Float	3.734	Driven	4.163
PLATE, Carburetor Power	3.858	PLATE, Transmission Control Selector.....	4.020
PLATE, Clutch (For COVERS See Group		PLATE, Transmission Gearshift Control	
4.630)	0.829	Cable	4.047
PLATE, Clutch Pedal Pull Back Spring	0.846	PLATE, Transmission Gearshift Hand Lever	
PLATE, Clutch Pressure	0.863	(Floor Mounted)	4.017
PLATE, Control Shaft or Tube	4.027	PLATE, Transmission	4.215
PLATE, Coolant Pump Back	1.113	PLATE, Vacuum Power Brake Cylinder	
PLATE, Corvette Top Roof Inner.....	12.810A	Reaction	4.934
PLATE, Corvette Rocker (plastic-laminate)	12.934	PLATE, Vacuum Power Brake Cylinder.....	4.922
PLATE, Cowl	9.789	PLATE, Windshield Washer Access Door.....	10.130
PLATE, Differential Clutch (Positraction)	5.511	PLATE, Windshield Wiper Motor Mounting	
PLATE, Directional Signal Lamp (See Group		Parts	10.152
9.748 tell tale windows)	2.895	PLATE, Windshield Wiper	10.150
PLATE, Distributor Breaker	2.385	PLENUM, Rear Quarter Side Inner.....	12.941
PLATE, Distributor Weight and Cam, with		PLUG, Air Injection Reactor	3.680
Stop	2.390	PLUG, Air Injection Reactor	3.670
PLATE, Dome Lamp	11.927	PLUG, Automatic Choke Control	3.750
PLATE, Door Arm Rest Trim.....	14.690	PLUG, Axle Filler and Drain	5.400
PLATE, Door Dovetail Bumper Wedge	10.584	PLUG, Battery	2.345
PLATE, Door Lock Inside Handle Escutcheon		PLUG, Belt Assy. and Strap Unit.....	14.875A
(Trim Protector).....	10.515	PLUG, Camshaft Bearing Hole, cup type (in	
PLATE, Door Lock Striker	10.571	cylinder block).....	0.553
PLATE, Door Window Regulator Handle	10.805	PLUG, Carburetor and Fuel Meter Float	
PLATE, Door Window Regulator Manual or		Lever.....	3.747
Electric	10.792	PLUG, Carburetor Nozzle Passage	3.775
PLATE, Electric Window Lift Parts.....	10.777	PLUG, Carburetor Pump Outlet Valve.....	3.825
PLATE, Floor (less rear compartment floor		PLUG, Clutch (For COVERS See Group	
pan)	12.980	4.630)	0.829
PLATE, Folding Top Compartment Lid Lock... 12.237A		PLUG, Concealed Headlamp Control Drive	2.760
PLATE, Folding Top Compartment.....	12.170	PLUG, Concealed Headlamp Opening Cover..	2.770
PLATE, Folding Top Roof Rail	14.090	PLUG, Corvette Rocker (plastic-laminate)	12.934
PLATE, Front Door Trim Finish	14.691	PLUG, Engine Intake (exhaust manifold in	
PLATE, Front Door	14.685	group 3.601).....	3.265
PLATE, Front Fender (Also see Group		PLUG, Fittings Oil Pipe (Also See Group	
17.507).....	8.147	8.963)	1.531
PLATE, Front Fender (See Group 8.147 for		PLUG, Floor (less rear compartment floor	
Front Fender Mouldings which include		pan)	12.980
Series Designations).....	8.132	PLUG, Front Door Ventilator	10.661
PLATE, Front Fender	8.153	PLUG, Front Door Window	10.783
PLATE, Fuel Injection	3.750A	PLUG, Gearshift Control Hand Lever.....	4.008
PLATE, Fuel Pump Mounting	3.901	PLUG, Generator Oil	2.301
PLATE, Gearshift Control Hand Lever.....	4.008	PLUG, Hood Lock Release.....	8.075
PLATE, Gearshift Hand Lever	4.010	PLUG, Hydraulic Steering Adapter	6.560
PLATE, Gearshift Lever Selector and		PLUG, Hydraulic Steering Cylinder Piston	
Indicator	4.022	Rod	6.581
PLATE, Generator Drive End	2.307	PLUG, Knuckle Expansion	6.223
PLATE, Hardtop	13.346A	PLUG, Oil Pan Drain	1.453
PLATE, Headlamp Dimmer	2.459	PLUG, Rear Compartment Floor.....	12.981
PLATE, Heater	8.852	PLUG, Spark	2.270

ALPHABETICAL INDEX

PLUG, Steering Connecting Rod End.....	6.881	REINFORCEMENT ASSY., Belt Assy. and Strap Unit.....	14.875A
PLUG, Tail and Stop Lamp.....	2.694	REINFORCEMENT ASSY., Bumper and Grille	7.828
PLUG, Tail Lamp.....	2.688	REINFORCEMENT ASSY., Bumper Face	
PLUG, Tie Rod.....	6.255	Front.....	7.831
PLUG, Trans. Oil Control.....	4.265	REINFORCEMENT ASSY., Crossmember.....	7.039
PLUG, Transmission Case.....	4.105	REINFORCEMENT ASSY., Horn.....	2.812
PLUG, Transmission Main with Gear.....	4.172	REINFORCEMENT ASSY., Radiator	
PLUG, Transmission Main Valve.....	4.216	(Mouldings in group 1.268).....	1.266
PLUG, Transmission Parking Brake.....	4.294	REINFORCEMENT ASSY., Rear Compartment	
PLUG, Transmission.....	4.256	Floor.....	12.981
PLUG, Valve Rocker Shaft.....	0.356	REINFORCEMENT ASSY., Rear Compartment	12.184
PLUG, Weatherstrip, Door Opening.....	10.694A	REINFORCEMENT ASSY., Windshield	
PLUG, Wheel Cylinder.....	4.666	Washer.....	10.153
PLUNGER ASSY., Vacuum Power Brake Cylinder Air Valve.....	4.918	REINFORCEMENT ASSY., Windshield Wiper	
PLUNGER, Carburetor (with Leather and Shaft).....	3.838	Motor Mounting Parts.....	10.152
PLUNGER, Starting Motor Drive Shift.....	2.113	REINFORCEMENT, Battery Top.....	2.335
PLUNGER, Vacuum.....	4.205	REINFORCEMENT, Belt Assy. and Strap Unit	14.875A
POCKET ASSY., Instrument Panel.....	14.655	REINFORCEMENT, Body Rear End (plastic laminate).....	12.986
POINTER, Timing.....	0.219	REINFORCEMENT, Body Sill Moulding.....	8.309
POINT UNIT, Distributor (Consists of Breaker Arm and Support).....	2.384	REINFORCEMENT, Brake Pedal.....	4.634
POLE PIECE, Distributor, w/Weight Plate.....	2.372	REINFORCEMENT, Corvette Front Top Panel	12.804A
POLE PIECE, Starting Motor (Internal).....	2.077	REINFORCEMENT, Corvette Top Roof Outer..	12.810
POPPEY ASSY., Vacuum Power Brake Cylinder Poppet Valve.....	4.928	REINFORCEMENT, Door Lock Remote.....	10.500
PRIMER, Back Window (Safety).....	11.204	REINFORCEMENT, Door Outside Locking (less cylinder).....	10.527
PROTECTOR, Folding Top-Rear.....	14.340	REINFORCEMENT, Fan and Water Pump.....	1.062
PROTECTOR, Main Cylinder Piston.....	4.654	REINFORCEMENT, Front Body Hinge.....	12.840
PROTECTOR, Spark Plug Wire.....	2.258	REINFORCEMENT, Front Fender (Also see Group 17.507).....	8.147
PULLEY, Air Conditioning Compressor Drive..	9.180	REINFORCEMENT, Front Fender Skirt.....	8.155
PULLEY, Air Injection Reactor.....	3.650	REINFORCEMENT, Front Fender.....	8.141
PULLEY, Crankshaft.....	0.659	REINFORCEMENT, Fuel Tank Strap.....	3.023
PULLEY, Fan and Water Pump.....	1.062	REINFORCEMENT, Hardtop.....	13.346A
PULLEY, Generator.....	2.274	REINFORCEMENT, Hood Lock-Lower.....	8.080
PULLEY, Parking Brake Cable.....	4.790	REINFORCEMENT, Hydraulic Steering Cylinder.....	6.575
PULLEY, Steering Gear Hydraulic Pump.....	6.655	REINFORCEMENT, Instrument Panel to Dash	10.230
PUMP ASSEMBLY, Oil.....	1.652	REINFORCEMENT, Mast Jacket.....	6.521
PUMP ASSY., Air Injection Reactor Pump.....	3.660	REINFORCEMENT, Radiator and Grille Filler.	1.287
PUMP ASSY., Fuel, with Gasket.....	3.900	REINFORCEMENT, Radiator Fan.....	1.277
PUMP ASSY., Steering Gear Hydraulic.....	6.605	REINFORCEMENT, Radiator.....	1.263
PUMP ASSY., Transmission Oil Supply.....	4.200	REINFORCEMENT, Rear Body Lock Pillar.....	12.942
PUMP ASSY., Transmission Oil.....	4.224	REINFORCEMENT, Rear Compartment Floor..	12.981
PUMP ASSY., Windshield Washer.....	10.153	REINFORCEMENT, Rear Frame to Bumper Attaching (Also See Group 7.869).....	7.836A
PUMP UNIT, Air Conditioning Compressor (Internal).....	9.172	REINFORCEMENT, Rear Roof Panel	
PUMP UNIT, Air Injection Reactor Pump.....	3.660	Headlining.....	14.640E
PUMP UNIT, Engine Coolant.....	1.069	REINFORCEMENT, Rear Window.....	9.778
PUMP UNIT, Oil.....	1.652	REINFORCEMENT, Seat Separator.....	10.240
PURGE VALVE, Fuel Tank Evaporative Control.....	3.130	REINFORCEMENT, Steering Shaft U-Joint.....	6.525
		REINFORCEMENT, Tail and Stop Lamp Mtg..	2.662
		REINFORCEMENT, Valve Rocker Cover and Support (Also See Group 0.366).....	0.413
		REINFORCEMENT, Windshield Washer Access Door.....	10.130
		REINFORCEMENT, Windshield Wiper Transmission.....	10.160
		RELAY ASSY., Air Conditioning Electrical.....	9.277
		RELAY ASSY., Air Conditioning Evaporator Blower.....	9.215
		RELAY ASSY., Carburetor Throttle Return Check.....	3.440
		RELAY ASSY., Distributor Spark Advance Trans. Electric Control (Also see Group 4.075).....	2.408
		RELAY ASSY., Front Door Window.....	10.783
		RELAY ASSY., Starting Motor.....	2.127
		RELAY ASSY., Transmission Smog Control....	4.075
		RELAY ASSY., Windshield Washer Access Door.....	10.130
		RELAY ASSY., Windshield Wiper.....	10.150
		RELAY ASSY.....	13.095
		RELAY, Concealed Headlamp Motor.....	2.755
		RELAY, Ignition Switch Warning and Theft Alarm.....	2.195
		RELAY, Matched Horn.....	2.815
		REPAIR KIT, Rear Axle 'U' Joint.....	5.428
		REPAIR KIT, Universal.....	5.548
		REPAIR KITS.....	3.725
		REPAIR UNIT, Hydraulic Brake Main Cylinder.....	4.649
		REPAIR UNIT, Vacuum Power.....	4.898

R

RACE, Air Conditioning Compressor (Internal).....	9.172
RACE, Forward Cone Freewheel.....	4.168
RACE, Mast Jacket.....	6.521
RACK ASSY., Luggage Deck Lid.....	12.815
RACK, Ignition Switch Warning and Theft Alarm.....	2.195
RACK, Steering Column Lock Bolt.....	6.500
RAIL ASSY., Folding Top-Rear.....	14.340
RAIL, Door Window Regulator Manual or Electric.....	10.792
RAIL, Folding Top Side Roof-Center.....	14.170
RAIL, Folding Top Side Roof-Front.....	14.100
RATCHET AND SPRING PACKAGE, Windshield Washer.....	10.153
RECEIVER ASSY., Air Conditioning Refrigerant (w/Dehydrator).....	9.195
RECEIVER ASSY., Radio Primary.....	9.650
REFLECTOR, Cigarette Lighter.....	9.709
REFLECTOR, Dome Lamp.....	11.927
REFLEX ASSY., Tail and Stop Lamp.....	2.689
REGULATOR, Electrical Output (See Group 2.319 for Breaker).....	2.500
REGULATOR, Front Door Ventilator.....	10.661
REGULATOR, Front Door Window.....	10.783
REINFORCEMENT, Antenna.....	9.647

ALPHABETICAL INDEX

REPAIR UNIT, Wheel Brake (Also see Group 4.667).....	4.665	RETAINER, Gearshift.....	4.307
REPAIR UNIT, Wheel Cylinder Piston (also see group 4.665).....	4.667	RETAINER, Generator Commutator or Rotor Slip Ring End Frame.....	2.298
RESERVOIR ASSY., Steering Gear Hydraulic Pump.....	6.635	RETAINER, Generator Drive End.....	2.307
RESERVOIR ASSY., Windshield Wiper.....	10.154	RETAINER, Hardtop.....	13.346A
RESERVOIR, Windshield Washer.....	10.153	RETAINER, Harness Assy.....	2.482
RESISTOR ASSY., A/C Electric Temperature and Blower Motor Control.....	9.275	RETAINER, Headlamp Control.....	2.775
RESISTOR ASSY., Heater and Evaporator.....	8.855	RETAINER, Heater.....	8.866
RESISTOR, Ignition Coil.....	2.173	RETAINER, Hood (Also See Group 1.303).....	8.055
RESISTOR, Ignition Pulse (Transistorized).....	2.383	RETAINER, Hood Panel.....	8.021
REST ASSY., Front Door Arm.....	14.686	RETAINER, Hood Upper Lock Plate.....	8.085
RESTRICTOR, Fuel Tank Evaporative Control	3.130	RETAINER, Horn Button and Blowing Ring.....	2.819
RESTRICTOR, Fuel Tank Filler.....	3.003	RETAINER, Ignition Pulse (Transistorized).....	2.383
RETAINER ASSY., Front Fender Skirt.....	8.155	RETAINER, Ignition Switch Warning and Theft Alarm.....	2.195
RETAINER ASSY., Windshield Reveal Moulding.....	10.096	RETAINER, Instrument Face Glass.....	9.747
RETAINER, Air Cleaner Intake Valve.....	3.415	RETAINER, Instrument Panel Compartment Door Lock.....	10.267
RETAINER, Air Cleaner.....	3.410	RETAINER, Lever Hand (Floor Mounted).....	4.015
RETAINER, Air Conditioning Compressor (Internal).....	9.172	RETAINER, Low Servo.....	4.228
RETAINER, Air Conditioning Compressor Shaft.....	9.175	RETAINER, Main Cylinder Adjusting.....	4.662
RETAINER, Air Conditioning Evaporator Air Distributor Outlet.....	9.264	RETAINER, Main Cylinder Return.....	4.655
RETAINER, Air Conditioning Evaporator Bypass.....	9.198	RETAINER, Manual Valve.....	4.218
RETAINER, Air Duct.....	9.782	RETAINER, Mast Jacket.....	6.521
RETAINER, Air Flow Control with Tube.....	9.787	RETAINER, Muffler.....	3.704
RETAINER, Ash Receiver.....	12.009	RETAINER, Oil Pump Shaft.....	1.639
RETAINER, Automatic Choke Control.....	3.750	RETAINER, Oil Pump.....	1.609
RETAINER, Belt Assy. and Strap Unit.....	14.875A	RETAINER, Parking Brake Cable.....	4.785
RETAINER, Back Window Glass Reveal Moulding.....	11.209	RETAINER, Parking Brake Lever Anchor.....	5.158
RETAINER, Battery Top.....	2.335	RETAINER, Piston Pin.....	0.639
RETAINER, Belt Assy. and Strap Unit.....	14.875A	RETAINER, Quarter Window Reveal Mldg.....	11.032
RETAINER, Body Sill Moulding.....	8.309	RETAINER, Radiator Grille and Engine Baffle Attaching.....	1.276
RETAINER, Brake Pedal.....	4.634	RETAINER, Radiator Grille Moulding.....	1.269
RETAINER, Bumper.....	7.865	RETAINER, Radiator.....	1.219
RETAINER, Carburetor and Fuel Injection Choke.....	3.752	RETAINER, Rear Axle Bumper.....	5.394
RETAINER, Carburetor Idle Vapor Vent.....	3.852	RETAINER, Rear Axle Control Arm.....	5.381
RETAINER, Carburetor Pump Inlet Valve.....	3.826	RETAINER, Rear Axle Shaft Bearing.....	5.816
RETAINER, Carburetor Pump.....	3.841	RETAINER, Rear Compartment Lid Lock.....	12.249
RETAINER, Carburetor Throttle.....	3.762	RETAINER, Rear Quarter Side Inner.....	12.941
RETAINER, Chassis Wiring Harness.....	2.559	RETAINER, Rear Quarter Trim.....	15.100
RETAINER, Cigarette Lighter.....	9.709	RETAINER, Rear Spring.....	7.545
RETAINER, Clutch (For COVERS See Group 4.630).....	0.829	RETAINER, Rear View Mirror.....	10.186
RETAINER, Clutch and Brake Pedal Shaft- (Also see groups 4.634 and 4.648).....	0.837	RETAINER, Scalp Vinyl Roof Panel Cover.....	12.080
RETAINER, Clutch Pedal Pull Back.....	0.844	RETAINER, Shock Absorber Bushing (Double Acting).....	7.389
RETAINER, Concealed Headlamp Control Drive.....	2.760	RETAINER, Side Roof Rail and Body Lock Pillar.....	10.721
RETAINER, Control Shaft or Tube.....	4.027	RETAINER, Spark Plug Wire.....	2.251
RETAINER, Corvette Top Roof Outer.....	12.810	RETAINER, Speedometer Driven Gear.....	4.338
RETAINER, Door Safety Lock.....	10.551A	RETAINER, Stabilizer Link.....	7.245
RETAINER, Distributor Contact Point Support Clamp.....	2.387	RETAINER, Stabilizer Shaft.....	7.242
RETAINER, Distributor Housing.....	2.363	RETAINER, Steering Gear Hydraulic Valve.....	6.552
RETAINER, Distributor Lubricating.....	2.364	RETAINER, Steering Knuckle Lower Control Arm Shaft.....	6.170
RETAINER, Distributor Mainshaft.....	2.375	RETAINER, Steering Knuckle Upper Control Arm.....	6.163
RETAINER, Door Handle Push Button.....	10.529	RETAINER, Steering Wheel.....	6.515
RETAINER, Door Lock Inside.....	10.512	RETAINER, Transmission.....	4.164
RETAINER, Door Outside Lock Handle Cylinder.....	10.551	RETAINER, Tail Lamp.....	2.660
RETAINER, Exhaust Pipe Support.....	3.616	RETAINER, Throttle Control Rod.....	3.425
RETAINER, Floor (less rear compartment floor pan).....	12.980	RETAINER, Tilt or Tel. Steering Column.....	6.514
RETAINER, Folding and Hard Top Front Roof Rail.....	14.060	RETAINER, Trans.....	4.115A
RETAINER, Folding Top-Rear.....	14.340	RETAINER, Transmission Control Lock Cable.....	4.070
RETAINER, Front and Rear Bumper Shock.....	7.840	RETAINER, Transmission Control Selector.....	4.020
RETAINER, Front Fender (Also see Group 17.507).....	8.147	RETAINER, Transmission Forward Cone Freewheel.....	4.167
RETAINER, Front Fender Moulding.....	8.133	RETAINER, Transmission Front Servo.....	4.233
RETAINER, Fuel Pump Bowl and Mounting.....	3.904	RETAINER, Transmission Main Drive Gear Bearing.....	4.356
RETAINER, Garnish Moulding.....	11.133	RETAINER, Transmission Mounting.....	4.083
RETAINER, Gearshift Lever Selector and Indicator.....	4.022	RETAINER, Transmission Rear Main Bearing.....	4.317
RETAINER, Gearshift Rod to Lever.....	4.037	RETAINER, Transmission Rear Servo.....	4.247
RETAINER, Gearshift Shaft or Tube Lever.....	4.032	RETAINER, Transmission Synchronizing.....	4.383
		RETAINER UNIT, Lock Tumbler.....	10.553A
		RETAINER UNIT, Rear Compartment Lid Lock.....	12.249
		RETAINER, Vacuum Power Brake Cylinder Air Valve.....	4.918
		RETAINER, Vacuum Power Brake Cylinder Air.....	4.913
		RETAINER, Vacuum Power Brake Cylinder Poppet Valve.....	4.928

ALPHABETICAL INDEX

RETAINER, Vacuum Power Brake Cylinder Reaction.....	4.934	RING, Vacuum Power Brake Cylinder Relay Valve.....	4.935
RETAINER, Vacuum Power Brake Cylinder Relay Valve.....	4.935	RING, Wheel Cover Appearance.....	5.871
RETAINER, Vacuum Power Brake Cylinder.....	4.911	RING, Wheel Cylinder.....	4.666
RETAINER, Vacuum Power Brake Cylinder.....	4.922	RING, Windshield Washer.....	10.153
RETAINER, Vacuum.....	4.205	RING, Windshield Wiper Motor Aux.....	10.151
RETAINER, Wheel Cover Appearance.....	5.871	RIVET, Folding Top-Rear.....	14.340
RETAINER, Window Regulator Handle Escutcheon Plate.....	10.806	RIVET, Front and Rear Bumper Shock.....	7.840
RETAINER, Windshield Garnish Moulding.....	10.056	RIVET, Front Door Ventilator.....	10.669
RETAINER, Windshield Glass (rubber).....	10.092	RIVET, Radiator Grille Moulding.....	1.269
RETAINER, Windshield Reveal.....	10.093	RIVET, Rear Compartment Floor.....	12.981
RETAINER, Windshield Wiper Transmission..	10.160	RIVET, Windshield Washer Access Door.....	10.130
RING, Air Conditioning Compressor (Internal).....	9.172	ROD, Accelerator Pedal to Lever.....	3.431
RING, Air Conditioning Compressor Pulley.....	9.181	ROD, Air Flow Control with Tube.....	9.787
RING, Air Conditioning Compressor Shaft.....	9.175	ROD AND MAST ASSY., Antenna.....	9.647
RING, Air Conditioning Refrigerant (w/ Dehydrator).....	9.195	ROD ASSEMBLY, Connecting, Less Dipper ...	0.603
RING, Carburetor and Fuel Meter Fuel Inlet..	3.740	ROD ASSY., Cowl.....	9.789
RING, Carburetor Pump.....	3.842	ROD ASSY., Ignition Switch Warning and Theft Alarm.....	2.195
RING, Concealed Headlamp Control Drive.....	2.760	ROD ASSY., Radiator Grille Baffle.....	1.274
RING, Control Shaft or Tube.....	4.027	ROD ASSY., Steering Column Lock Bolt.....	6.500
RING, Differential Clutch (Positraction).....	5.511	ROD ASSY., Steering Connecting (With Internal Parts).....	6.870
RING, Directional Signal Lamp (See Group 9.748 tell tale windows).....	2.895	ROD ASSY., Vacuum Power Brake Cylinder Piston.....	4.924
RING, Door Handle Push Button.....	10.529	ROD ASSY., Windshield Wiper.....	10.147
RING, Door Handle Push Button.....	12.195	ROD, Back-Up.....	2.698
RING, Exhaust Pipe.....	3.611	ROD, Bumper.....	7.865
RING GEAR, Flywheel.....	0.673	ROD, Carburetor and Fuel Injection Choke.....	3.752
RING, Gear Shifter Shaft and Fork (Yoke).....	4.312	ROD, Carburetor to Accelerator Lever.....	3.430
RING, Headlamp.....	2.726	ROD, Carburetor Air Meter Fast Idle Cam.....	3.768
RING, Horn Button and Blowing Ring.....	2.819	ROD, Carburetor Air Valve.....	3.757
RING, Hydraulic Pump Drive Shaft Outer Bearing Retaining.....	6.616	ROD, Carburetor Metering.....	3.806
RING, Hydraulic Steering Cylinder Piston Rod.....	6.581	ROD, Carburetor Pump Connector.....	3.843
RING, Ignition Switch.....	2.188	ROD, Carburetor Throttle.....	3.762
RING, King Pin Oil.....	6.225	ROD, Carburetor.....	3.755
RING, Low Servo.....	4.228	ROD, Clutch Fork Release.....	0.787
RING, Low Sun Gear and Clutch.....	4.162	ROD, Clutch Pedal.....	0.854
RING, Main Cylinder Stop.....	4.656	ROD, Concealed Headlamp Control Opening Cover.....	2.765
RING, Manual Valve.....	4.218	ROD, Corvette Front Top Panel.....	12.804A
RING, Mast Jacket.....	6.521	ROD, Door Inside Lock to Knob.....	10.563
RING, Parking Brake Lever Anchor.....	5.158	ROD, Door Lock Remote Control Connecting.	10.506
RING, Planet Carrier.....	4.176	ROD, Folding Top-Rear.....	14.340
RING, Radiator Fan.....	1.277	ROD, Front Fender.....	8.141
RING, Rear Axle 'U' Joint.....	5.428	ROD, Front Frame to Bumper Attaching (Also See Group 7.869).....	7.836
RING, Rear Axle Shaft Bearing.....	5.816	ROD, Fuel Meter Enrichment.....	3.320
RING, Rear Compartment Floor.....	12.981	ROD, Fuel Pump.....	3.935
RING, Reverse Brake Band.....	4.246	ROD, Gearshift Control (Hand).....	4.006
RING, Reverse Servo.....	4.241	ROD, Lighting Switch, with Knob.....	2.486
RING, Sealed Beam Retaining.....	2.731	ROD, Low Servo.....	4.228
RING, Speedometer Driven Gear.....	4.338	ROD, Main Cylinder Push.....	4.658
RING, Starting Motor Thrust.....	2.063	ROD, Mast (Also see group 6.803).....	6.518
RING, Stator.....	4.117	ROD, Radiator and Grille Filler.....	1.287
RING, Steering Gear Hydraulic Pump.....	6.609	ROD, Rear Frame to Bumper Attaching (Also See Group 7.869).....	7.836A
RING, Steering Idler and Third Arm Shaft.....	6.181	ROD, Seat Back Lock.....	11.390
RING, Transmission.....	4.164	ROD, Steering Connecting (With Internal Parts).....	6.870
RING, Transmission Forward Cone Freewheel.....	4.167	ROD, Tilt or Tel. Steering Column.....	6.514
RING, Transmission Front Servo Piston Parts	4.229	ROD, Transmission Control Safety.....	4.054
RING, Transmission Front Servo.....	4.226	ROD, Transmission Gearshift.....	4.035
RING, Transmission Input.....	4.123	ROD, Transmission Throttle Valve Control (T.V.).....	4.050
RING, Transmission Low and Drive Valve.....	4.265	ROD, Vacuum Power Brake Cylinder Air.....	4.913
RING, Transmission Main with Gear.....	4.172	ROD, Valve Push.....	0.426
RING, Transmission Main Drive Gear Bearing.....	4.376	ROD, Windshield Washer Access Door.....	10.130
RING, Transmission Main Valve.....	4.216	ROD, Windshield Wiper.....	10.163
RING, Transmission Parking Lock.....	4.220	ROLLER ASSY., Door Window.....	10.728
RING, Transmission Rear Bearing and Mainshaft.....	4.412	ROLLER ASSY., Transmission Forward Cone Freewheel.....	4.167
RING, Transmission Rear Servo.....	4.242	ROLLER ASSY., Transmission Reverse Shifter Crank.....	4.293
RING, Transmission Reverse Idler Shaft.....	4.435	ROLLER, Gear Shifter Shaft and Fork (Yoke)..	4.312
RING, Transmission Synchronizing.....	4.383	ROLLER, Heater.....	8.852
RING, Transmission Synchronizing.....	4.384	ROLLER, Planet Carrier.....	4.176
RING, Transmission.....	4.164	ROLLER, Transmission Countershaft Gear.....	4.422
RING, Transmission.....	4.256	ROLLER, Transmission Main Shaft Front Pilot to Main Drive Gear.....	4.352
RING UNIT, Piston (Service Sets).....	0.643	ROLLER, Transmission Reverse Idler Gear.....	4.431
RING UNIT, Transmission.....	4.005	ROLLER UNIT, Transmission Rear Ring Gear.	4.180
RING, Vacuum Power Brake Cylinder Air Valve.....	4.918	ROLLER, Universal Joint Yoke Trunnion.....	5.566
RING, Vacuum Power Brake Cylinder Piston..	4.924	ROTATOR ASSY., Valve Spring.....	0.309

ALPHABETICAL INDEX

ROTOR ASSY., Generator.....	2.279
ROTOR, Coolant Pump.....	1.109
ROTOR, Distributor.....	2.382
ROTOR KIT, Steering Gear Hydraulic Pump...	6.610
RUN ASSY., Corvette Door Window Glass.....	10.701

S

SASH ASSY., Front Door Ventilator Glass (with tee shaft).....	10.655
SASH ASSY., Front Door Window Glass Lower Sash.....	10.685
SCREEN, Air Cleaner.....	3.410
SCREEN, Air Cleaner.....	3.417
SCREEN, Air Conditioning Compressor (Internal).....	9.172
SCREEN, Air Conditioning Refrigerant (w/ Dehydrator).....	9.195
SCREEN ASSY., Oil Pan Pump Suction.....	4.197
SCREEN ASSY., Rear Quarter Side Inner.....	12.941
SCREEN ASSY., Transmission Case.....	4.105
SCREEN ASSY., Transmission Low and Drive Valve.....	4.265
SCREEN ASSY., Transmission Oil.....	4.248
SCREEN, Carburetor and Fuel Meter Fuel Inlet.....	3.740
SCREEN, Oil Pump Intake.....	1.656
SCREEN, Radio Instrument Panel.....	10.256
SCREW, Air Cond. Evap. Air Distributor.....	9.262
SCREW, Air Conditioning Compressor Oil Test.....	9.177
SCREW, Air Conditioning Refrigerant (w/ Dehydrator).....	9.195
SCREW, Air Injection Reactor Pump.....	3.665
SCREW AND WASHER ASSY., Air Conditioning Evaporator Expansion Valve.....	9.214
SCREW ASSY., Air Conditioning Evaporator By-Pass.....	9.198
SCREW ASSY., Flywheel.....	0.679
SCREW ASSY., Front Fender (Also see Group 17.507).....	8.147
SCREW ASSY., Fuel Tank Gauge.....	3.112
SCREW ASSY., Steering Gear Ball Return Guide.....	6.843
SCREW ASSY., Venturi Cluster.....	3.790
SCREW, Automatic Choke Control.....	3.750
SCREW, Axle Filler and Drain.....	5.400
SCREW, Back-Up.....	2.697
SCREW, Battery Cable.....	2.343
SCREW, Body Sill Moulding.....	8.309
SCREW, Brake Band Adjusting.....	4.253
SCREW, Brake Caliper.....	4.668
SCREW, Brake Cyl. and Pedal Shaft (Also see group 0.847 for pedal shaft bracket).....	4.648
SCREW, Brake Shoe Adjusting.....	5.110
SCREW, Carburetor (with Leather and Shaft)	3.838
SCREW, Carburetor and Fuel Injection Choke.....	3.752
SCREW, Carburetor and Fuel Injection Fast Idle Cam.....	3.767
SCREW, Carburetor and Fuel Injection Fast Idle.....	3.766
SCREW, Carburetor and Fuel Injection Idle Adjusting.....	3.822
SCREW, Carburetor and Fuel Meter Fuel Inlet.....	3.740
SCREW, Carburetor and Fuel Meter Intake (with Seat and Gasket).....	3.814
SCREW, Carburetor Air Valve.....	3.757
SCREW, Carburetor Air.....	3.730
SCREW, Carburetor Body.....	3.741
SCREW, Carburetor Choke.....	3.751
SCREW, Carburetor Idle Air Compensator.....	3.820
SCREW, Carburetor Idle Vapor Vent.....	3.852
SCREW, Carburetor Power.....	3.858
SCREW, Carburetor Pump.....	3.841
SCREW, Carburetor Pump.....	3.842
SCREW, Carburetor Throttle Valve and Throttle Lever Adjusting.....	3.761

SCREW, Carburetor Throttle.....	3.762
SCREW, Carburetor.....	3.755
SCREW, Concealed Headlamp Control Drive.....	2.760
SCREW, Concealed Headlamp Control Opening Cover.....	2.765
SCREW, Concealed Headlamp Opening Cover.....	2.770
SCREW, Control Shaft or Tube.....	4.027
SCREW, Corvette Body Rear Panel.....	12.121
SCREW, Direction Control Switch.....	2.906
SCREW, Directional Signal Lamp (See Group 9.748 tell tale windows).....	2.895
SCREW, Dist. Vac. Control.....	2.414
SCREW, Distributor with Bracket and Lead ...	2.393
SCREW, Distributor Cap Retainer.....	2.368
SCREW, Distributor Contact Point Support Clamp.....	2.387
SCREW, Distributor.....	2.382
SCREW, Door Handle Push Button.....	10.529
SCREW, Door Hinge to Hinge Pillar.....	10.463
SCREW, Door Lock Striker to Pillar.....	10.570
SCREW, Door Lock.....	10.474
SCREW, Electrical Output (See Group 2.319 for Breaker).....	2.500
SCREW, Emergency and Safety.....	2.575
SCREW, Fldg. Top Frame Riveted.....	13.365
SCREW, Folding Top Front Roof.....	14.050
SCREW, Folding Top Side Roof Rail Control Link.....	14.155
SCREW, Folding Top-Rear.....	14.340
SCREW, Front Body Hinge.....	12.840
SCREW, Front Door Trim Finish.....	14.691
SCREW, Front Door Window.....	10.783
SCREW, Front Door.....	14.685
SCREW, Front Fender and Skirt.....	8.143
SCREW, Front Seat.....	11.561
SCREW, Fuel or Air Meter.....	3.314
SCREW, Fuel Injector Air.....	3.335
SCREW, Fuel Injector Metering.....	3.332
SCREW, Fuel Meter Float Bowl.....	3.737
SCREW, Fuel Meter Vent (External).....	3.328
SCREW, Fuel Meter.....	3.322
SCREW, Fuel Pump Mounting.....	3.901
SCREW, Fuel Tank Evaporative Control.....	3.130
SCREW, Fuel Tank Filler, with Gasket.....	3.028
SCREW, Gas Tank Filler Neck Compartment.....	12.945
SCREW, Gearshift Hand Lever Housing.....	4.012
SCREW, Generator (Current Regulator Listed in Group 2.500).....	2.319
SCREW, Generator Brush.....	2.291
SCREW, Generator Drive End.....	2.307
SCREW, Hardtop.....	13.346A
SCREW, Headlamp Beam Adjusting.....	2.737
SCREW, Headlamp Control.....	2.775
SCREW, Headlamp Lens and Sealed Beam Retaining.....	2.736
SCREW, Headlamp Moulding.....	2.729
SCREW, Hood.....	8.024
SCREW, Horn Blowing.....	2.820
SCREW, Horn Button and Blowing Ring.....	2.819
SCREW, Ignition Coil Mounting.....	2.183
SCREW, Ignition Pulse (Transistorized).....	2.383
SCREW, Ignition Switch.....	2.188
SCREW, Instrument Panel Compartment Door.....	10.262
SCREW, Instrument Panel Compartment, Seat Separator Compartment and Courtesy.....	10.275
SCREW, Lock Parts, Folding and Hardtop.....	14.080A
SCREW, Low Sun Gear and Clutch.....	4.162
SCREW, Luggage Deck Lid.....	12.815
SCREW, Main Cylinder Stop.....	4.656
SCREW, Mast (Also see group 6.803).....	6.518
SCREW, Oil.....	1.652
SCREW, Oil Pan Attaching, with Lockwasher.....	1.428
SCREW, Oil Pan Drain.....	1.453
SCREW, Oil Pump.....	4.203
SCREW, Parking Lamp Door or Lens.....	2.594
SCREW, Pinion Shaft Lock.....	5.518
SCREW, Planet Carrier.....	4.176
SCREW, Rear Compartment Lid.....	12.242
SCREW, Rear Door and Quarter Moulding.....	12.118A
SCREW, Rear License Lamp.....	2.708
SCREW, Rear View Mirror.....	10.186

ALPHABETICAL INDEX

SCREW, Rear Window.....	9.778	SEAL, Hood (Also See Group 1.303).....	8.055
SCREW, Ring Gear.....	5.531	SEAL, Hot Water.....	8.845
SCREW, Roof Drip.....	12.075	SEAL, Hydraulic Steering Cylinder Piston Rod.....	6.581
SCREW, Roof Ventilation.....	12.811	SEAL, Ignition Coil Mounting.....	2.183
SCREW, Seat Back Lock.....	11.390	SEAL, Instrument Case.....	9.749
SCREW, Side Seat Hinge Arm.....	11.375	SEAL KIT, Air Conditioning less Clutch.....	9.170
SCREW, Starting Motor (Internal).....	2.077	SEAL KIT, Fuel Injection.....	3.304
SCREW, Starting Motor to Engine Attaching.....	2.042	SEAL, Lever Hand (Floor Mounted).....	4.015
SCREW, Starting Motor Brush.....	2.052	SEAL, Lighting Monitor.....	2.584
SCREW, Steering Column Lock Bolt.....	6.500	SEAL, Manual Valve.....	4.218
SCREW, Steering Column.....	6.760	SEAL, Oil Pan Pump Suction.....	4.197
SCREW, Steering Shaft U-Joint.....	6.525	SEAL, Oil Pan.....	1.429
SCREW, Sunshade.....	10.219	SEAL, Oil Pump.....	4.203
SCREW, Tail Lamp.....	2.688	SEAL, Parking Brake Lever.....	4.612
SCREW, Tilt or Tel. Steering Column.....	6.514	SEAL, Propeller Shaft Universal Joint Trunion.....	5.560
SCREW, Transmission Front Servo.....	4.226	SEAL, Radiator and Grille Filler.....	1.287
SCREW, Transmission Oil.....	4.195	SEAL, Radiator Core.....	1.270
SCREW, Transmission.....	4.256	SEAL, Radiator Grille Baffle.....	1.274
SCREW, Trim Body Center Pillar (With Metal Inner Panel).....	14.730	SEAL, Rear Compartment Floor.....	12.981
SCREW, Valve Push Rod Adjusting.....	0.429	SEAL, Rear Compartment Lid and Rear End Panel.....	12.182
SCREW, Wheel Cover Appearance.....	5.871	SEAL, Rear Window.....	9.778
SCREW, Windshield Reveal Moulding.....	10.096	SEAL RING, A/C Sight Glass.....	9.202
SCREW, Windshield Upper & Lower.....	12.807	SEAL RING, Air Conditioning Evaporator Expansion Valve.....	9.214
SCREW, Windshield Washer.....	10.153	SEAL RING, Air Conditioning Freon System.....	9.220
SCREW, Windshield Wiper.....	10.150	SEAL RING, Air Conditioning Refrigerant.....	9.196
SEAL, Accelerator Rod Linkage.....	3.469	SEAL, Servo.....	4.212
SEAL, Air Cleaner Oil.....	3.406	SEAL, SHIELD, Rear Axle Shaft Bearing or Hub.....	5.822
SEAL, Air Cleaner.....	3.417	SEAL, Speedometer Driven Gear.....	4.338
SEAL, Air Cond. Evap. Air Distributor.....	9.262	SEAL, Steering Column.....	6.758
SEAL, Air Conditioning Compressor (Internal).....	9.172	SEAL, Steering Connecting Rod.....	6.886
SEAL, Air Conditioning Compressor Shaft.....	9.175	SEAL, Steering Gear Hydraulic Cylinder.....	6.584
SEAL, Air Conditioning Evaporator By-Pass ..	9.198	SEAL, Steering Gear Hydraulic Pump Drive Shaft.....	6.617
SEAL, Air Conditioning Evaporator Core Housing.....	9.211	SEAL, Steering Gear Hydraulic Pump.....	6.609
SEAL, Air Duct.....	9.782	SEAL, Steering Gear Hydraulic Pump.....	6.635
SEAL, Air Flow.....	9.786	SEAL, Steering Gear Hydraulic Valve Hose and Fitting 'O' Ring.....	6.674
SEAL, Air Injection Reactor Pump.....	3.665	SEAL, Steering Gear Hydraulic Valve.....	6.552
SEAL ASSY., Corvette Door Window Glass.....	10.701	SEAL, Steering Gear.....	6.806
SEAL ASSY., Door Window Glass.....	10.710	SEAL, Steering Idler.....	6.898
SEAL ASSY., Front Wheel Bearing.....	6.326	SEAL, Steering Knuckle, Upper and Lower Control Arm.....	6.166
SEAL ASSY., Fuel Injection Distributor.....	3.340	SEAL, Steering Shaft U-Joint.....	6.525
SEAL ASSY., Pitman Shaft.....	6.855	SEAL, Thermostat Housing.....	1.252
SEAL ASSY., Rear Axle 'U' Joint.....	5.430	SEAL, Tie Rod Socket.....	6.242
SEAL ASSY., Transmission Rear Bearing Retainer.....	4.318	SEAL, Trans.....	4.115A
SEAL, Brake Cable.....	4.784	SEAL, Transmission Front Servo.....	4.226
SEAL, Bumper Sheet Metal.....	7.833	SEAL, Transmission Gearshift Control Cable.....	4.047
SEAL, Camshaft Bearing Hole, cup type (in cylinder block).....	0.553	SEAL, Transmission Gearshift Hand Lever (Floor Mounted).....	4.017
SEAL, Carburetor and Fuel Injection Choke.....	3.752	SEAL, Transmission Internal Selector Shaft ..	4.313
SEAL, Carburetor Float.....	3.734	SEAL, Transmission Main Drive Gear Bearing.....	4.354
SEAL, Clutch (For COVERS See Group 4.630).....	0.829	SEAL, Transmission Main Valve.....	4.216
SEAL, Control Shaft or Tube.....	4.027	SEAL, Transmission Oil Filler.....	4.133
SEAL, Coolant Pump.....	1.123	SEAL, Transmission Parking Lock.....	4.220
SEAL, Cowl Side.....	12.804	SEAL, Transmission Rear Bearing Retainer ..	4.318
SEAL, Crankcase Front End Cover.....	0.213	SEAL, Transmission Rear Servo.....	4.242
SEAL, Crankshaft Rear Bearing and Cap Oil..	0.137	SEAL, Transmission Throttle Valve Operating Parts.....	4.275
SEAL, Distributor Lubricating.....	2.364	SEAL, Transmission Throttle Valve.....	4.278
SEAL, Distributor Mainshaft.....	2.375	SEAL UNIT, Transmission Clutch.....	4.166
SEAL, Door Dovetail Bumper Wedge.....	10.584	SEAL UNIT, Transmission.....	4.005
SEAL, Door Handle Push Button.....	10.529	SEAL, Vacuum Power Brake Cylinder Air Valve.....	4.918
SEAL, Door Window Regulator Handle.....	10.805	SEAL, Vacuum Power Brake Cylinder.....	4.922
SEAL, Drive Pinion.....	5.469	SEAL, Vacuum Power Brake.....	4.910
SEALED BEAM, Headlamp.....	2.727	SEAL, Vacuum.....	4.205
SEALER, Corvette Top Roof Outer.....	12.810	SEAL, Valve Spring Cap.....	0.308
SEAL, Folding Top Motor and Pump.....	14.482	SEAL, Wheel Cylinder Piston (also see group 4.665).....	4.667
SEAL, Front Door Ventilator Handle Escutcheon.....	10.665	SEAL, Windshield Glass (rubber).....	10.092
SEAL, Front Door Window Glass Lower Sash.....	10.685	SEAL, Windshield Washer Access Door.....	10.130
SEAL, Front Door.....	10.470	SEAT, Air Conditioning Compressor (Internal).....	9.172
SEAL, Front Fender and Skirt.....	8.154	SEAT ASSY., Folding Top Compartment Lid Lock.....	12.237A
SEAL, Fuel Injector.....	3.330	SEAT ASSY., Folding Top Compartment Lid ..	12.242A
SEAL, Fuel Meter.....	3.322	SEAT ASSY, Front.....	14.896
SEAL, Fuel Pump Bowl and Mounting.....	3.904		
SEAL, Fuel Tank Filler Neck.....	3.008		
SEAL, Gear Shaft.....	6.519		
SEAL, Generator Commutator or Rotor Slip Ring End Frame.....	2.298		
SEAL, Headlamp Control.....	2.775		
SEAL, Heater.....	8.854		

ALPHABETICAL INDEX

SEAT, Clutch Pedal Intermediate Lever Shaft		SHAFT, Valve Rocker Arm, with Plug (see	
Ball	0.851	group 1.531 for Fittings)	0.353
SEAT, Hood Upper Lock Plate	8.085	SHAFT, Windshield Wiper Motor Aux.	10.151
SEAT, Hydraulic Steering Adapter	6.560	SHELL, Air Conditioning Refrigerant (w/	
SEAT, Hydraulic Steering Cylinder Piston		Dehydrator)	9.195
Rod	6.581	SHELL ASSY., Air Conditioning less Clutch...	9.170
SEAT, Mast Jacket	6.521	SHELL ASSY., Vacuum Power Brake	
SEAT, Steering Connecting Rod	6.874	Cylinder	4.906
SEAT, Steering Gear Hydraulic Valve Hose...	6.673	SHIELD ASSY., Floor (less rear compartment	
SEAT, Transmission	4.164	floor pan)	12.980
SECTOR, Ignition Switch Warning and Theft		SHIELD, Back-Up	2.698
Alarm	2.195	SHIELD, Battery	2.333
SENDER, Oil Pressure (See group 9.748 for		SHIELD, Carburetor Idle Vapor Vent.	3.852
tell tale windows)	1.800	SHIELD, Catalytic	3.685
SENDER UNIT, Fuel Tank	3.107	SHIELD, Direction Control Switch	2.906
SEPARATOR ASSY., Fuel Tank Evaporative		SHIELD, Door Lock Remote	10.500
Control	3.120	SHIELD, Electric Window Lift Parts	10.777
SHACKLE UNIT, Rear Spring	7.523	SHIELD, Engine Intake (exhaust manifold in	
SHAFT, Air Flow	9.786	group 3.601)	3.265
SHAFT ASSEMBLY with Casing	4.342A	SHIELD, Engine Mounting	0.029
SHAFT ASSY., with Casing	4.342A	SHIELD, Flange Plate	5.002
SHAFT ASSY., With Casing	4.342A	SHIELD, Floor (less rear compartment floor	
SHAFT ASSY., A/C Electric Temperature		pan)	12.980
and Blower Motor Control	9.275	SHIELD, Front Door	10.470
SHAFT ASSY., Air Conditioning less Clutch...	9.170	SHIELD, Front Fender and Skirt	8.154
SHAFT ASSY., Coolant Pump, with Bearing...	1.105	SHIELD, Fuel Tank	3.015
SHAFT ASSY., Fuel Injection Distributor	3.340	SHIELD, Headlamp	2.726
SHAFT ASSY., Gear Shifter	4.309	SHIELD, Hood (Also See Group 1.303)	8.055
SHAFT ASSY., Speedometer and Odometer		SHIELD, Ignition Switch Warning and Theft	
(Miles)	9.761	Alarm	2.195
SHAFT ASSY., Speedometer without Casing	4.342	SHIELD, Instrument Case	9.749
SHAFT ASSY., Steering Gear, with Worm	6.524	SHIELD, Manifold	3.602
SHAFT ASSY., Steering Knuckle Lower		SHIELD, Muffler Tail	3.705
Control Arm	6.169	SHIELD, Radio Noise Suppression	9.663
SHAFT ASSY., Tachometer	9.750	SHIELD, Radiator and Grille Filler	1.287
SHAFT ASSY., Transmission Main with Gear	4.172	SHIELD, Rear Compartment Floor	12.981
SHAFT ASSY., Transmission Planet	4.161	SHIELD, Rear Quarter Ventilator and Back	
SHAFT, Axle	5.420	Window Drain	10.997
SHAFT, Brake Pedal	4.634	SHIELD, Rear Window	9.778
SHAFT, Carburetor and Fuel Injection Choke	3.752	SHIELD, Seat	14.928
SHAFT, Carburetor and Fuel Meter	3.745	SHIELD, Spark Plug Wire	2.251
SHAFT, Clutch Pedal, Intermediate (See		SHIELD, Starting Motor	2.104
Group 4.648 for brake)	0.852	SHIELD, Tilt or Tel. Steering Column	6.514
SHAFT, Differential Pinion	5.517	SHIELD, Transmission Control Safety	4.054
SHAFT, Distributor w/Weight Plate	2.372	SHIELD UNIT, Distributor with Bracket and	
SHAFT, Front Door Window	10.783	Lead	2.393
SHAFT, Fuel Meter Enrichment	3.320	SHIELD, Valve Spring Cap	0.308
SHAFT, Gear Shifter	4.309	SHIELD, Wheelhouse	12.944
SHAFT, Gearshift Control	4.025	SHIELD, Windshield Wiper Motor Aux.	10.151
SHAFT, Gearshift Detent	4.311	SHIELD, Windshield Wiper	10.154
SHAFT, Ignition Switch Warning and Theft		SHIM, Air Conditioning Compressor	
Alarm	2.195	Mounting	9.171
SHAFT KIT, Steering Gear Hydraulic Valve	6.551	SHIM, Body Mounting	9.023
SHAFT, Oil Pump Shaft	1.639	SHIM, Bumper Sheet Metal	7.833
SHAFT, Rear Propeller (Shaft attaches to		SHIM, Bumper	7.865
rear axle)	5.544A	SHIM, Corvette Top Roof Outer	12.810
SHAFT, Rear Axle Control Arm	5.381	SHIM, Differential Bearing Adjusting	5.537
SHAFT, Rear Compartment Lock Handle	12.252	SHIM, Differential Clutch (Positraction)	5.511
SHAFT, Rear Propeller (Shaft attaches to		SHIM, Distributor Gear	2.379
rear axle)	5.441	SHIM, Engine Mounting (Small Attaching)	0.002
SHAFT, Stabilizer	7.241	SHIM, Folding Top-Rear	14.340
SHAFT, Starting Motor Drive Shaft	2.108	SHIM, Frame Cross, Front	7.010
SHAFT, Steering Gear Hydraulic Pump Drive	6.614	SHIM, Front Door, Upper	10.450
SHAFT, Steering Gear Pitman	6.850	SHIM, Fuel Injection Distributor	3.340
SHAFT, Transmission Counter	4.428	SHIM, Hood Moulding and Hinge	8.016
SHAFT, Transmission Input	4.123	SHIM, Hood Panel	8.015
SHAFT, Transmission Main	4.403	SHIM, Horn	2.810
SHAFT, Transmission Parking Brake	4.294	SHIM, King Pin Thrust Bearing	6.214
SHAFT, Transmission Parking Lock	4.220	SHIM, Pinion Shaft Bearing	5.460
SHAFT, Transmission Planet	4.175	SHIM, Radiator Core	1.270
SHAFT, Transmission Reverse Idler Gear	4.433	SHIM, Rear Axle Control Arm	5.380
SHAFT, Transmission Throttle Valve Control		SHIM, Rear Compartment	12.184
(T.V.)	4.050	SHIM, Rear View Mirror	10.186
SHAFT, Transmission Throttle Valve		SHIM, Rear Wheel	5.855
Operating Parts	4.275	SHIM, Seat Back Lock	11.390
SHAFT, Transmission	4.256	SHIM, Seat Back	11.381
SHAFT UNIT, Carburetor Choke	3.751	SHIM, Steering Knuckle Upper Control Arm..	6.178
SHAFT UNIT, Speedometer without Casing ...	4.342	SHIM UNIT, Crankshaft Bearing Cap	0.153
SHAFT UNIT, Steering Gear Pitman	6.850	SHIM UNIT, Steering Gear Lash Adjuster	6.828
SHAFT UNIT, Steering Knuckle Lower		SHIM UNIT, Transmission Case	4.104
Control Arm	6.169	SHIM, Valve	0.303
SHAFT UNIT, Steering Knuckle Upper		SHIM, Windshield Washer Access Door	10.130
Control Arm	6.164	SHOE, Air Injection Reactor Pump	3.665
SHAFT UNIT, Valve Rocker	0.352	SHOE, Tilt or Tel. Steering Column	6.514

ALPHABETICAL INDEX

SHOE UNIT, Brake, with Facing, Metallic.....	5.017A	SPACER, Concealed Headlamp Control	
SHOE UNIT, Brake, with Facing, Non-Metallic.....	5.017	Opening Cover.....	2.765
SHROUD, Gearshift Hand Lever.....	4.010	SPACER, Concealed Headlamp Opening	
SHROUD, Heater.....	8.854	Cover.....	2.770
SHROUD, Mast (Also see group 6.803).....	6.518	SPACER, Control Shaft or Tube.....	4.027
SHROUD, Radiator Fan.....	1.277	SPACER, Coolant.....	1.153
SILENCER ASSY., Air Injection Reactor.....	3.672	SPACER, Corvette Top Roof Outer.....	12.810
SILENCER, Vacuum Power Brake Cylinder		SPACER, Differential Bearing Adjusting.....	5.537
Air.....	4.913	SPACER, Distributor Housing.....	2.363
SILL, Corvette Rocker (plastic-laminate).....	12.934	SPACER, Door Dovetail Bumper Wedge.....	10.584
SKIRT, Front Fender.....	8.153	SPACER, Engine Mounting (Small Attaching)	0.002
SLEEVE, Air Conditioning Compressor		SPACER, Exhaust Manifold.....	3.647
(Internal).....	9.172	SPACER, Fan.....	1.064
SLEEVE, Clock.....	9.772	SPACER, Folding Top Compartment Lid	
SLEEVE, Concealed Headlamp Control Drive.	2.760	Lock.....	12.237A
SLEEVE, Concealed Headlamp Control		SPACER, Folding Top Compartment.....	12.170
Opening Cover.....	2.765	SPACER, Front and Rear Bumper Shock.....	7.840
SLEEVE, Corvette Top Roof Inner.....	12.810A	SPACER, Gearshift Control Hand Lever.....	4.008
SLEEVE, Distributor Breaker.....	2.385	SPACER, Generator (Bracket listed in Group	
SLEEVE, Front Axle Tie Rod.....	6.232	2.277).....	2.317
SLEEVE, Fuel Meter.....	3.322	SPACER, Generator (See 2.317 for Brace).....	2.277
SLEEVE, Gearshift Control Hand Lever.....	4.008	SPACER, Generator.....	2.274
SLEEVE, Gearshift.....	4.307	SPACER, Hardtop.....	13.346A
SLEEVE, Generator (See 2.317 for Brace).....	2.277	SPACER, Harmonic Balancer and Crankshaft	
SLEEVE, Hydraulic Steering Adapter.....	6.560	Pulley.....	0.662
SLEEVE, Ignition Switch.....	2.188	SPACER, Hydraulic Steering Cylinder Piston	
SLEEVE, Instrument Case Face.....	9.748	Rod.....	6.581
SLEEVE, Manifold.....	3.273	SPACER, Hydraulic Steering Valve.....	6.554
SLEEVE, Mast Jacket.....	6.521	SPACER, Idler Arm.....	1.060
SLEEVE, Oil Pump Shaft.....	1.639	SPACER, Low Sun Gear and Clutch.....	4.162
SLEEVE, Servo.....	4.212	SPACER, Manifold Vacuum.....	3.145
SLEEVE, Speedometer Driven Gear.....	4.338	SPACER, Mast Jacket.....	6.521
SLEEVE, Throttle Control Rod.....	3.425	SPACER, Muffler.....	3.704
SLEEVE, Transmission 1st Reverse Gear.....	4.419	SPACER, Parking Brake Cable.....	4.790
SLINGER, Generator Drive End.....	2.307	SPACER, Parking Brake Cross Shaft and	
SLINGER, Transmission Main Drive Gear		Idler.....	4.792
Bearing.....	4.374	SPACER, Pinion Shaft Bearing.....	5.453
SOCKET ASSY., Back-Up.....	2.697	SPACER, Planet Carrier.....	4.176
SOCKET ASSY., Dome Lamp.....	11.927	SPACER, Radio Control.....	9.649
SOCKET ASSY., Emergency and Safety.....	2.575	SPACER, Radiator Grille.....	1.267
SOCKET ASSY., Parking Lamp.....	2.596	SPACER, Rear Axle Shaft Bearing.....	5.816
SOCKET ASSY., Rear License Lamp.....	2.714	SPACER, Rear Compartment.....	12.184
SOCKET, Brake Shoe Adjusting Screw.....	5.111	SPACER, Rear Spring.....	7.535
SOCKET, Filter Seat Belt, Check Doors and		SPACER, Rear Window.....	9.778
Low Fuel Warning Lights.....	9.765	SPACER, Seat Back Lock.....	11.390
SOCKET, Instrument Case.....	9.744	SPACER, Side Seat Back, Side Panels.....	11.368
SOCKET, Tail and Stop Lamp.....	2.694	SPACER, Stabilizer.....	7.240
SOLENOID ASSY., Air Cleaner Intake Valve...	3.415	SPACER, Starting Motor to Engine Attaching	2.042
SOLENOID ASSY., Distributor Spark		SPACER, Steering Shaft U-Joint.....	6.525
Advance Trans. Electric Control (Also		SPACER, Tilt or Tel. Steering Column.....	6.514
see Group 4.075).....	2.408	SPACER, Transmission Counter Gear	
SOLENOID ASSY., Fuel or Air Meter.....	3.314	Bearing.....	4.423
SOLENOID ASSY., Trans. Oil Control.....	4.265	SPACER, Transmission Main Shaft Front	
SOLENOID ASSY., Transmission Smog		Pilot to Main Drive Gear.....	4.352
Control.....	4.075	SPACER, Transmission Main Shaft Front	
SOLENOID, Carburetor Throttle Return		Pilot to Main Drive Gear.....	4.353
Check.....	3.440	SPACER, Transmission Mounting Support.....	4.085
SOLENOID VALVE, Windshield Washer		SPACER UNIT, Trans. Oil Control.....	4.265
Access Door.....	10.130	SPACER, Universal Joint Yoke Trunnion.....	5.566
SPACER, Air Cond. Evap. Air Distributor.....	9.262	SPACER, Windshield (Safety).....	10.027
SPACER, Air Conditioning Compressor		SPACER, Windshield Garnish Moulding.....	10.056
Pulley.....	9.181	SPACER, Windshield Reveal Moulding.....	10.096
SPACER, Air Conditioning Evaporator		SPACER, Windshield Upper & Lower.....	12.807
Blower.....	9.215	SPACER, Windshield Wiper.....	10.159
SPACER, Air Flow.....	9.786	SPEAKER, Radio Primary.....	9.650
SPACER, Air Injection Reactor Pump		SPHERE UNIT, Tilt or Tel. Steering Column...	6.514
Mounting.....	3.655	SPINDLE, Rear Wheel.....	5.806
SPACER, Air Injection Reactor.....	3.650	SPRAG ASSY., Transmission Forward Cone	
SPACER, Back Window (Safety).....	11.204	Freewheel.....	4.167
SPACER, Battery.....	2.333	SPRAG ASSY., Transmission Rear Ring Gear.	4.180
SPACER, Belt Assy. and Strap Unit.....	14.875A	SPRING, Accelerator Pull Back.....	3.459
SPACER, Body Mounting.....	9.023	SPRING, A/C Electric Temperature and	
SPACER, Bumper and Grille.....	7.828	Blower Motor Control.....	9.275
SPACER, Carburetor and Fuel Injection		SPRING, Air Flow.....	9.786
Choke.....	3.752	SPRING, Air Injection Reactor Pump.....	3.665
SPACER, Carburetor and Fuel Injection Fast		SPRING ASSY., Front.....	7.412
Idle Cam.....	3.767	SPRING ASSY., Rear.....	7.503
SPACER, Carburetor and Fuel Injection Fast		SPRING, Auto.....	8.820
Idle.....	3.766	SPRING, Brake Drum.....	5.810
SPACER, Carburetor and Fuel Meter Fuel		SPRING, Brake Hose or Pipe.....	4.681
Inlet.....	3.740	SPRING, Brake Pedal Return.....	4.639
SPACER, Carburetor Throttle.....	3.762	SPRING, Brake Pull Back.....	4.760
		SPRING, Brake Shoe Automatic Adjusting	
		Lever.....	5.107

ALPHABETICAL INDEX

SPRING, Brake Shoe.....	5.026	SPRING, Steering Gear Hydraulic Valve.....	6.552
SPRING, Carburetor and Fuel Injection Choke.....	3.752	SPRING, Steering Shaft U-Joint.....	6.525
SPRING, Carburetor and Fuel Injection Fast Idle.....	3.766	SPRING, Tilt or Tel. Steering Column.....	6.514
SPRING, Carburetor and Fuel Injection Idle Adjusting Screw.....	3.823	SPRING, Transmission.....	4.164
SPRING, Carburetor and Fuel Meter Float Lever.....	3.747	SPRING, Transmission Front Servo.....	4.233
SPRING, Carburetor and Fuel Meter Fuel Inlet.....	3.740	SPRING, Transmission Gearshift Control Cable.....	4.047
SPRING, Carburetor Air Valve.....	3.757	SPRING, Transmission Main Valve.....	4.216
SPRING, Carburetor Choke.....	3.753	SPRING, Transmission Parking Brake.....	4.295
SPRING, Carburetor Metering Rod.....	3.810	SPRING, Transmission Parking Lock.....	4.220
SPRING, Carburetor Power Piston.....	3.859	SPRING, Transmission Synchronizing.....	4.413
SPRING, Carburetor Pump Outlet Valve.....	3.825	SPRING, Transmission Throttle Valve Control.....	4.052
SPRING, Carburetor Pump.....	3.841	SPRING, Transmission 1st Reverse Gear.....	4.419
SPRING, Carburetor Throttle Valve and Throttle Lever Adjusting.....	3.761	SPRING, Transmission.....	4.164
SPRING, Clutch and Brake Pedal Shaft-(Also see groups 4.634 and 4.648).....	0.837	SPRING, Transmission.....	4.256
SPRING, Clutch Fork.....	0.796	SPRING UNIT, Lock Tumbler.....	10.553A
SPRING, Clutch Pedal Intermediate Lever Shaft Ball.....	0.851	SPRING UNIT, Clutch Pedal Pull Back Spring.....	0.846
SPRING, Clutch Pedal Pull Back.....	0.844	SPRING UNIT, Rear Compartment Lid Lock...	12.249
SPRING, Clutch Pressure Lever Retainer.....	0.878	SPRING, Vacuum Power Brake Cylinder Air Valve.....	4.918
SPRING, Clutch Pressure Plate.....	0.864	SPRING, Vacuum Power Brake Cylinder Air... Piston.....	4.913
SPRING, Clutch Pressure.....	0.865	SPRING, Vacuum.....	4.924
SPRING, Concealed Headlamp Control Drive. SPRING, Concealed Headlamp Control Opening Cover.....	2.760	SPRING, Valve Rocker Shaft.....	4.205
SPRING, Control Shaft or Tube.....	4.027	SPRING, Valve.....	0.376
SPRING, Cowl.....	9.789	SPRING WASHER, Windshield Washer Access Door.....	0.303
SPRING, Differential Clutch (Positraction).....	5.511	SPRING, Wheel Cylinder Piston.....	10.130
SPRING, Direction Signal Lamp (Cancelling).. SPRING, Direction Signal Lamp (Detent).....	2.896	SPRING, Windshield Washer.....	4.669
SPRING, Distributor Breaker.....	2.385	SPRING, Windshield Wiper Motor Aux.....	10.151
SPRING, Distributor Cap Retainer.....	2.368	SPRING, Windshield Wiper.....	10.150
SPRING, Distributor Contact Point Support Clamp.....	2.387	SPROCKET, Camshaft Timing.....	0.736
SPRING, Distributor Weight.....	2.389	SPROCKET, Crankshaft Timing (Steel).....	0.728
SPRING, Door Handle Push Button.....	10.529	SQUEAK, Accelerator.....	3.451
SPRING, Filter Seat Belt, Check Doors and Low Fuel Warning Lights.....	9.765	Starting Motor.....	2.051
SPRING, Folding Top Compartment Lid.....	12.242A	STATOR ASSY., Generator Field.....	2.310
SPRING, Front Door Window.....	10.783	STEM ASSY., Tire Valve.....	5.875
SPRING, Front Seat Adjuster.....	11.581	STOP, Concealed Headlamp Control Opening Cover.....	2.765
SPRING, Fuel Meter Enrichment.....	3.320	STOP, Door Window.....	10.716
SPRING, Fuel Meter.....	3.322	STOP, Folding Top-Rear.....	14.340
SPRING, Fuel Pump Rocker Arm.....	3.927	STOP, Headlamp Control.....	2.775
SPRING, Fuel Tank Evaporative Control.....	3.130	STOP, Windshield Washer Access Door.....	10.130
SPRING, Gas Tank Filler Neck Compartment. SPRING, Gearshift Control Hand Lever.....	12.945	STRAINER, Carburetor and Fuel Meter Fuel Inlet.....	3.740
SPRING, Gearshift Detent.....	4.008	STRAINER, Fuel Tank Gauge.....	3.110
SPRING, Gearshift Detent.....	4.311	STRAP, Air Cond. Evap. Air Distributor.....	9.262
SPRING, Gearshift Rod to Lever.....	4.037	STRAP, Air Conditioning Hose.....	9.242
SPRING, Generator (Current Regulator Listed in Group 2.500).....	2.319	STRAP ASSY., Cowl.....	9.789
SPRING, Headlamp Beam Adjusting.....	2.737	STRAP ASSY., Rear Compartment Floor.....	12.981
SPRING, Hood Upper Lock Plate.....	8.085	STRAP ASSY., Wheel and Tire Compartment STRAP ASSY., Wheel Carrier (See Group 7.629).....	7.778
SPRING, Horn Button and Blowing Ring.....	2.819	STRAP, Battery Ground, with Terminal.....	2.341
SPRING, Hydraulic Steering Adapter.....	6.560	STRAP, Chassis Wiring Harness.....	2.559
SPRING, Hydraulic Steering Cylinder Piston Rod.....	6.581	STRAP, Fuel Tank.....	3.022
SPRING, Ignition Switch Warning and Theft Alarm.....	2.195	STRAP, Lighting.....	2.485
SPRING, Instrument Panel.....	14.655	STRAP, Manifold.....	3.602
SPRING, Lock Parts, Folding and Hardtop.....	14.080A	STRAP, Mast (Also see group 6.803).....	6.518
SPRING, Low Brake Band.....	4.233	STRAP, Radio Noise Suppression.....	9.663
SPRING, Main Cylinder Return.....	4.655	STRAP, Radiator.....	1.219
SPRING, Main Valve.....	4.216	STRAP, Rear Axle Rebound.....	5.390
SPRING, Manifold Heat Control Valve.....	3.841	STRAP UNIT, Seat and Shoulder.....	14.875
SPRING, Manual Valve.....	4.218	STRAP, 'U' Joint Trunnion and Yoke.....	5.586
SPRING, Mast Jacket.....	6.521	STRIKER, Door Lock.....	10.569
SPRING, Oil Pump.....	1.609	STRIKER, Folding Top Compartment Lid Lock.....	12.237A
SPRING, Parking Brake Release.....	4.597	STRIKER, Folding Top Roof Rail.....	14.090
SPRING, Parking Brake Shoe Lever.....	5.151	STRIKER, Instrument Panel and Seat Separator Compartment Lock.....	10.268
SPRING, Rear Compartment Lid Lock.....	12.249	STRIKER, Rear Compartment Floor.....	12.981
SPRING, Reverse Brake Band.....	4.246	STRIKER, Rear View Mirror.....	10.186
SPRING, Seat Back Lock.....	11.390	STRIKER, Stop Lamp.....	2.447
SPRING, Starting Motor Brush.....	2.053	STRIP, Corvette Top Roof Outer.....	12.810
SPRING, Starting Motor Drive Shaft.....	2.108	STRIP, Front Body Hinge.....	12.840
SPRING, Steering Column Lock Bolt.....	6.500	STRIP, Rear Body Lock Pillar.....	12.942
SPRING, Steering Connecting Rod.....	6.876	STRIP, Rear Compartment Floor.....	12.981
SPRING, Steering Gear Hydraulic Pump.....	6.612	STRIP, Roof Drip.....	12.075
		STRIP, Windshield Glass (rubber).....	10.092
		STRUT ASSY., Rear Axle.....	5.415
		STRUT, Clutch Release Lever.....	0.875

ALPHABETICAL INDEX

STRUT, Parking Brake Shoe Lever.....	5.150	SUPPORT, Concealed Headlamp Control	
STRUT, Transmission Brake.....	4.251	Opening Cover.....	2.765
STUD, Accelerator Intermediate.....	3.463	SUPPORT, Corvette Front Top Panel.....	12.804A
STUD, Accelerator Pedal.....	3.452	SUPPORT, Corvette Top Roof Outer.....	12.810
STUD, Air Cleaner.....	3.403	SUPPORT, Cowl.....	9.789
STUD, Air Cleaner.....	3.417	SUPPORT, Door Handle Push Button.....	10.529
STUD, Air Injection Reactor Pump Mounting.	3.655	SUPPORT, Door Outside Handle Push	
STUD, Battery Hanger Clamp.....	2.334	Button and Lock Cylinder.....	10.552
STUD, Clutch Fork.....	0.796	SUPPORT, Exhaust Pipe Support.....	3.616
STUD, Clutch Pedal Intermediate Lever		SUPPORT, Floor (less rear compartment	
Shaft Ball.....	0.851	floor pan).....	12.980
STUD, Concealed Headlamp Control		SUPPORT, Folding Top.....	14.310
Opening Cover.....	2.765	SUPPORT, Front Body Hinge.....	12.840
STUD, Coolant Pump.....	1.073	SUPPORT, Front Door Ventilator.....	10.661
STUD, Corvette Body Rear Panel.....	12.121	SUPPORT, Front Fender.....	8.141
STUD, Crankshaft Bearing Cap.....	0.056	SUPPORT, Front Frame to Bumper Attaching	
STUD, Cylinder Head.....	0.293	(Also See Group 7.869).....	7.836
STUD, Door Handle Push Button.....	10.529	SUPPORT, Fuel Tank.....	3.015
STUD, Door Window.....	10.728	SUPPORT, Gearshift Hand Lever.....	4.010
STUD, Engine Air Fan.....	1.050	SUPPORT, Generator (See 2.317 for Brace)...	2.277
STUD, Engine Mounting (Small Attaching)....	0.002	SUPPORT, Hood Panel.....	8.015
STUD, Exhaust Pipe.....	3.613	SUPPORT, Instrument Panel Compartment,	
STUD, Folding Top Front Roof Rail.....	14.080	Seat Separator Compartment and	
STUD, Front Door Ventilator.....	10.670	Courtesy.....	10.275
STUD, Front Fender Moulding.....	8.133	SUPPORT, Luggage Deck Lid.....	12.815
STUD, Fuel Injector Air.....	3.335	SUPPORT, Muffler Tail Pipe.....	3.706
STUD, Gearshift.....	4.307	SUPPORT, Parking Lamp Attaching.....	2.587
STUD, Generator.....	2.313	SUPPORT, Radio Noise Suppression.....	9.663
STUD, Hydraulic Steering Cylinder Piston		SUPPORT, Radiator Fan.....	1.277
Rod.....	6.581	SUPPORT, Radiator Grille.....	1.267
STUD, Idler Arm.....	1.060	SUPPORT, Rear Axle Control Arm.....	5.380
STUD, Inlet Manifold to Carburetor (Also see		SUPPORT, Rear Body Lock Pillar.....	12.942
Groups 3.275 and 8.981).....	3.288	SUPPORT, Rear Bumper Impact Bar Cover.....	7.875
STUD, Manifold (also see groups 3.288		SUPPORT, Rear Compartment Floor.....	12.981
manifold to carb., 3.613 manifold to		SUPPORT, Rear View Mirror, Inside.....	10.187
exh. pipe, and 8.981).....	3.275	SUPPORT, Seat Separator.....	10.240
STUD, Manifold Vacuum Take-Off (also see		SUPPORT, Spark Plug Wire.....	2.251
group 8.963).....	3.278	SUPPORT, Steering Column.....	6.760
STUD, Oil.....	1.652	SUPPORT, Steering Gear Hydraulic Pump	
STUD, Rear Axle Tie Rod.....	5.418	Mounting.....	6.606
STUD, Starting Motor Drive Shaft.....	2.108	SUPPORT, Steering Knuckle.....	6.023
STUD, Starting Motor Solenoid (Switch		SUPPORT, Sunshade.....	10.219
Parts).....	2.102	SUPPORT, Transmission Mounting.....	4.081
STUD, Steering Connecting Rod.....	6.874	SUPPORT UNIT, Concealed Headlamp	
STUD, Steering Gear Hydraulic Pump		Control Opening Cover.....	2.765
Mounting.....	6.606	SUPPORT UNIT, Starting Motor Brush.....	2.052
STUD, Steering Idler and Third Arm Shaft....	6.181	SUPPORT, Vacuum Power Brake Cylinder....	4.922
STUD, Throttle Control Rod.....	3.425	SUPPORT, Valve Rocker Arm Shaft.....	0.349
STUD, Transmission Control Idler.....	4.040	SWITCH, Air Conditioning Vacuum Control...	9.280
STUD, Transmission Throttle Valve Control...	4.052	SWITCH ASSY., A/C Electric Temperature	
STUD UNIT, Steering Knuckle Lower Control		and Blower Motor Control.....	9.275
Arm Pivot.....	6.174	SWITCH ASSY., Air Conditioning	
STUD UNIT, Steering Knuckle Upper Control		Compressor (Internal).....	9.172
Arm.....	6.164	SWITCH ASSY., Air Conditioning Evaporator	
STUD, Valve Push Rod Adjusting.....	0.429	By-Pass.....	9.198
STUD, Windshield Washer Access Door.....	10.130	SWITCH ASSY., Air Injection Reactor.....	3.870
SUB BODY, Headlamp.....	2.726	SWITCH ASSY., Brake Press Ind.....	4.874
SUNSHADE ASSEMBLY.....	10.203	SWITCH ASSY., Concealed Headlamp Motor	2.755
SUPPORT, Accelerator Pedal.....	3.452	SWITCH ASSY., Coolant Temperature	
SUPPORT, Air Conditioning Compressor		(Engine Unit).....	1.150
Mounting.....	9.171	SWITCH ASSY., Directional Signal Lamp	
SUPPORT, Air Conditioning Evaporator By-		(See Group 9.748 tell tale windows).....	2.895
Pass Valve.....	9.199	SWITCH ASSY., Distributor Spark Advance	
SUPPORT, Air Conditioning Refrigerant.....	9.196	Trans. Electric Control (Also see Group	
SUPPORT, Air Flow.....	9.786	4.075).....	2.408
SUPPORT ASSY., Accelerator.....	3.454	SWITCH ASSY., Emergency and Safety.....	2.575
SUPPORT ASSY., Corvette Top Roof Outer.....	12.810	SWITCH ASSY., Heater.....	8.852
SUPPORT ASSY., Direction Control Switch....	2.906	SWITCH ASSY., Hydraulic Brake.....	4.686
SUPPORT ASSY., Folding Top Compartment.	12.170	SWITCH ASSY., Ignition Switch Warning	
SUPPORT ASSY., Fuel Tank Evaporative		and Theft Alarm.....	2.195
Control.....	3.130	SWITCH ASSY., Ignition Switch.....	2.188
SUPPORT ASSY., Low Sun Gear and Clutch..	4.162	SWITCH ASSY., Instrument Panel	
SUPPORT ASSY., Mast (Also see group		Compartment, Seat Separator	
6.803).....	6.518	Compartment and Courtesy.....	10.275
SUPPORT ASSY., Radiator Core.....	1.270	SWITCH ASSY., Parking Brake Alarm.....	4.589
SUPPORT ASSY., Radiator.....	1.219	SWITCH ASSY., Rear Window.....	9.778
SUPPORT ASSY., Rear Axle Tie Rod.....	5.418	SWITCH ASSY., Starting Motor (on motor) ...	2.100
SUPPORT ASSY., Rear Window.....	9.778	SWITCH ASSY., Stop Lamp.....	2.447
SUPPORT ASSY., Tilt or Tel. Steering		SWITCH ASSY., Transmission Control	
Column.....	6.514	Safety.....	4.054
SUPPORT ASSY., Vacuum Power Brake		SWITCH ASSY., Transmission Smog Control.	4.075
Cylinder.....	4.930	SWITCH ASSY., Transmission Throttle	
SUPPORT, Body Rear End (plastic laminate)..	12.986	Control (Electric).....	4.057
SUPPORT, Brake Flange Front.....	5.001	SWITCH ASSY., Windshield Wiper.....	10.163

ALPHABETICAL INDEX

SWITCH ASSY.....	13.095
SWITCH, Back-Up.....	2.698
SWITCH, Dome Lamp Door Jamb.....	11.950
SWITCH, Electric Window Lift Parts.....	10.777
SWITCH, Filter Seat Belt, Check Doors and Low Fuel Warning Lights.....	9.765
SWITCH, Fuel or Air Meter.....	3.314
SWITCH, Headlamp Dimmer.....	2.459
SWITCH, Lighting.....	2.485
SWITCH, Safety Light.....	9.773
SWITCH UNIT, Air Conditioning Compressor (Internal).....	9.172
SWITCH UNIT, Horn.....	2.810
SWITCH UNIT, Ignition Switch Warning and Theft Alarm.....	2.195
SWITCH, Windshield Wiper.....	10.150
SWIVEL, Clutch Fork Release.....	0.787
SWIVEL, Gearshift Rod to Lever.....	4.037
SWIVEL, Throttle Control Rod.....	3.425
SWIVEL, Transmission Control Safety.....	4.054
SWIVEL, Transmission Throttle Valve Control.....	4.052
SYNCHRONIZER, Transmission 2nd-3rd and 3rd-4th Speeds.....	4.380

T

TACHOMETER ASSY., Tachometer.....	9.750
TANK ASSY., Concealed Headlamp Control Drive.....	2.760
TANK ASSY., Radiator.....	1.219
TANK, Coolant Recovery.....	1.240
TANK, Fuel.....	3.001
TAPE, Back Window Glass (rubber).....	11.207
TAPPET, Valve (or Lifter).....	0.459
TEE, Air Conditioning Control.....	9.281
TEE, Air Injection Reactor.....	3.680
TEE ASSY., Air Suspension Level Control.....	7.447
TEE ASSY., Manifold Vacuum Take-Off (also see group 8.963).....	3.278
TEE ASSY., Vacuum Power Brake Cylinder....	4.931
TEE ASSY., Vacuum.....	4.205
TEE, Carburetor.....	3.755
TEE, Crankcase.....	1.745
TEE, Distributor Vacuum Control.....	2.420
TEE, Flexible-Fuel or Oil Lines.....	3.163
TEE, Vacuum.....	4.205
TEE, Windshield Wiper Pipe.....	10.155
TERMINAL, Cluster Gauge.....	9.735
TERMINAL, Concealed Headlamp Control Opening Cover.....	2.765
TERMINAL, Electrical.....	2.530
TERMINAL, Generator.....	2.313
TERMINAL, Spark Plug Wire.....	2.257
TERMINAL UNIT, Generator (Current Regulator Listed in Group 2.500).....	2.319
THERMOSTAT ASSY., Automatic Choke Control.....	3.750
THERMOSTAT, Exhaust Manifold Heat Control Valve.....	3.640
THERMOSTAT, Radiator and Hot Water Heater.....	1.246
TIMER, Filter Seat Belt, Check Doors and Low Fuel Warning Lights.....	9.765
TOP ASSY., Folding.....	13.346
TOP ASSY., Hardtop.....	13.346A
TOP BINDING, on Binding.....	15.534
TRANSISTOR, Ignition Pulse (Transistorized)	2.383
TRANSISTOR, Voltage Regulator Output.....	2.510
TRANSMISSION ASSY. (less hand brake).....	4.003
TRANSMISSION, Windshield Wiper.....	10.159
TRAY ASSEMBLY, Ash.....	12.030
TRAY, Floor (less rear compartment floor pan).....	12.980
TRAY, Instrument Panel Compartment.....	10.260
TRAY, Spare Tire Cover.....	12.579
TRIM ASSEMBLY, Bucket Seat Back (Driver or Passenger).....	14.800
TRIM ASSY., CENTER ROOF Panel Headlining.....	14.640B
TRIM ASSY., Front Roof Panel Headlining.....	14.640A

TRIM ASSY., Folding Top Cover.....	13.347
TRIM ASSY., Front Door.....	14.885
TRIM ASSY., Front Seat Cushion (Driver or Passenger).....	14.880
TRIM ASSY., Headlining.....	14.640
TRIM ASSY., Lower Headlining.....	14.640D
TRIM ASSY., Rear Roof Panel Headlining.....	14.640E
TRIM ASSY., Roof Panel (Exterior).....	13.250
TRIM ASSY., Upper Headlining.....	14.640C
TUBE, Air Cleaner.....	3.417
TUBE, Air Conditioning Compressor (Internal).....	9.172
TUBE, Air Conditioning Evaporator Air Inlet..	9.218
TUBE, Air Conditioning Evaporator Core Housing.....	9.211
TUBE, Air Conditioning Refrigerant (w/ Dehydrator).....	9.195
TUBE, Air Conditioning Refrigerant.....	9.196
TUBE, Air Injection Reactor.....	3.675
TUBE ASSY., Air Conditioning Freon System	9.220
TUBE ASSY., Crankcase.....	1.745
TUBE ASSY., Gearshift Control.....	4.025
TUBE ASSY., Gearshift Hand Lever.....	4.010
TUBE ASSY., Mast (Also see group 6.803)....	6.518
TUBE ASSY., Transmission Oil Filler.....	4.133
TUBE, Carburetor and Fuel Meter Fuel Inlet..	3.740
TUBE, Crankcase Ventilator-Outer.....	1.762
TUBE, Exhaust Manifold Choke Heat.....	3.603
TUBE, Fuel Injector.....	3.330
TUBE, Oil Level.....	1.516
TUBE, Radiator Outlet.....	1.173
TUBE, Transmission Main Valve.....	4.216
TUBING, Hydraulic Brake.....	4.685
TUMBLER UNIT, Door Lock Cylinder.....	10.553
TUMBLER UNIT, Rear Compartment Lid Lock.....	12.249

U

U BOLT, Rear Spring.....	7.516
UNDERPAN, Flywheel.....	0.679
UNIT, Brake Shoe Adjusting.....	5.110
UNIT, Brake Shoe.....	5.026

V

VALVE, Air Cleaner Intake Valve.....	3.415
VALVE, Air Conditioning Compressor (Internal).....	9.172
VALVE, Air Duct.....	9.782
VALVE, Air Flow.....	9.786
VALVE ASSY., Air Conditioning Compressor Pressure Relief.....	9.178
VALVE ASSY., Air Conditioning Evaporator By-Pass.....	9.198
VALVE ASSY., Air Conditioning Evaporator Expansion.....	9.213
VALVE ASSY., Air Injection Reactor.....	3.670
VALVE ASSY., Carburetor Pump Inlet Valve..	3.826
VALVE ASSY., Concealed Headlamp Control Drive.....	2.760
VALVE ASSY., Cowl.....	9.789
VALVE ASSY., Defroster.....	9.779
VALVE ASSY., Exhaust Manifold.....	3.647
VALVE ASSY., Fuel Tank Filler.....	3.003
VALVE ASSY., Heater Vacuum Actuating.....	8.850
VALVE ASSY., Heater Water Temp.....	9.795
VALVE ASSY., Heater.....	8.857
VALVE ASSY., Oil Filter.....	1.837
VALVE ASSY., Rear Brake Pressure Regulator.....	4.690
VALVE ASSY., Steering Gear Hydraulic Pump Control.....	6.624
VALVE ASSY., Steering Gear Hydraulic.....	6.550
VALVE ASSY., Vacuum Power Brake Check..	4.955
VALVE ASSY., Windshield Washer Access Door.....	10.130
VALVE ASSY., Windshield Washer.....	10.153

ALPHABETICAL INDEX

VALVE ASSY., Windshield Wiper.....	10.163	WASHER, Front Door Ventilator.....	10.670
VALVE BODY, Windshield Washer.....	10.153	WASHER, Front Door Window.....	10.783
VALVE, Carburetor and Fuel Injection Fast Idle.....	3.766	WASHER, Front Fender (Also see Group 17.507).....	8.147
VALVE, Carburetor Air Valve.....	3.757	WASHER, Front Fender and Skirt.....	8.143
VALVE, Carburetor Choke.....	3.751	WASHER, Fuel Injection Distributor.....	3.340
VALVE, Carburetor Idle Vapor Vent.....	3.852	WASHER, Fuel Meter Control.....	3.318
VALVE, Carburetor Throttle.....	3.758	WASHER, Gear Shifter Shaft and Fork (Yoke).....	4.312
VALVE, Crankcase.....	1.745	WASHER, Gearshift Control Hand Lever.....	4.008
VALVE, Early Fuel Evaporation Vacuum Control.....	3.140	WASHER, Gearshift Hand Lever Housing.....	4.012
VALVE, Exhaust.....	0.297	WASHER, Gearshift Lever Selector and Indicator.....	4.022
VALVE, Headlamp Washer.....	2.780	WASHER, Gearshift Rod to Lever.....	4.037
VALVE, Inlet.....	0.296	WASHER, Generator (See 2.317 for Brace)....	2.277
VALVE, Main Cylinder.....	4.657	WASHER, Generator Armature.....	2.280
VALVE, Oil Pump.....	1.609	WASHER, Generator Brush.....	2.291
VALVE, Trans. Oil Control.....	4.265	WASHER, Generator Drive End.....	2.307
VALVE, Transmission Main Valve.....	4.216	WASHER, Generator.....	2.313
VALVE, Transmission Oil Supply.....	4.200	WASHER, Hardtop.....	13.346A
VALVE, Transmission.....	4.256	WASHER, Harmonic Balancer and Crankshaft Pulley.....	0.662
VALVE UNIT, Carburetor Power.....	3.858	WASHER, Hydraulic Steering Cylinder Piston Rod.....	6.581
VALVE UNIT, Oil Pump.....	4.203	WASHER, Hydraulic Steering Valve.....	6.554
VALVE UNIT, Vacuum Power Brake Cylinder Relay Valve.....	4.935	WASHER, Ignition Switch Warning and Theft Alarm.....	2.195
VALVE, Vacuum.....	4.205	WASHER, Inlet Manifold to Carburetor (Also see Groups 3.275 and 8.981).....	3.288
VALVE, Wheel Cylinder.....	4.666	WASHER, Lock Parts, Folding and Hardtop... 14.080A	
VALVE, Windshield Wiper.....	10.150	WASHER, Low Servo.....	4.228
VANE, Air Injection Reactor Pump.....	3.665	WASHER, Low Sun Gear and Clutch.....	4.162
VANE KIT, Steering Gear Hydraulic Pump.....	6.610	WASHER, Luggage Deck Lid.....	12.815
VENT. ASSY., Transmission Case.....	4.104	WASHER, Main Cylinder (Rubber).....	4.659
VENTILATOR ASSY., Front Door (less glass).....	10.650	WASHER, Mast Jacket.....	6.521
VENTILATOR, Crankcase.....	1.745	WASHER, Parking Brake Lever Anchor.....	5.158
VENTILATOR, Rear Axle.....	5.387	WASHER, Parking Brake Lever.....	4.881
W			
WARMER UNIT, Battery.....	2.345	WASHER, Parking Brake.....	4.765
WARMER UNIT, Hot Water.....	8.845	WASHER, Pinion Shaft Bearing.....	5.453
WASHER, Air Cond. Evap. Air Distributor.....	9.262	WASHER, Planet Carrier.....	4.176
WASHER, Automatic Choke Control.....	3.750	WASHER, Planet Reverse.....	4.190
WASHER, Battery.....	2.345	WASHER, Propeller Shaft Pinion Flange.....	5.595
WASHER, Belt Assy. and Strap Unit.....	14.875A	WASHER, Radio Control.....	9.649
WASHER, Brake Connector.....	4.671	WASHER, Radiator Core.....	1.270
WASHER, Brake Shoe Adjusting.....	5.110	WASHER, Rear Axle.....	5.387
WASHER, Brake Shoe Anchor Pin.....	5.056	WASHER, Rear Axle.....	5.830
WASHER, Bumper.....	7.865	WASHER, Reverse Servo.....	4.241
WASHER, Carburetor Throttle Valve and Throttle Lever Adjusting.....	3.761	WASHER, Seat Back.....	11.381
WASHER, Carburetor Throttle.....	3.762	WASHER, Shock Absorber.....	7.347
WASHER, Clutch Fork Push Rod.....	0.793	WASHER, Side Door Window.....	11.007
WASHER, Clutch Pedal Intermediate Lever Shaft Ball.....	0.851	WASHER, Spare Tire Cover.....	12.579
WASHER, Concealed Headlamp Control Drive.....	2.760	WASHER, Starting Motor Solenoid (Switch Parts).....	2.102
WASHER, Concealed Headlamp Control Opening Cover.....	2.765	WASHER, Starting Motor Thrust.....	2.063
WASHER, Control Shaft or Tube.....	4.027	WASHER, Steering Column Lock Bolt.....	6.500
WASHER, Corvette Top Roof Outer.....	12.810	WASHER, Steering Gear Hydraulic Pump.....	6.655
WASHER, Crankcase.....	1.745	WASHER, Steering Gear Hydraulic Valve.....	6.552
WASHER, Cylinder Head.....	0.293	WASHER, Steering Idler.....	6.897
WASHER, Differential Carrier Mounting.....	5.500	WASHER, Steering Knuckle Lower Control Arm Attaching.....	6.172
WASHER, Differential Pinion Thrust.....	5.542	WASHER, Steering Knuckle Spindle.....	6.321
WASHER, Differential Side Gear Thrust.....	5.543	WASHER, Steering Shaft U-Joint.....	6.525
WASHER, Distributor Breaker.....	2.385	WASHER, Steering Wheel.....	6.515
WASHER, Distributor Gear.....	2.379	WASHER, Tachometer.....	9.750
WASHER, Distributor Lubricating.....	2.364	WASHER, Throttle Control Rod.....	3.426
WASHER, Door Handle Push Button.....	10.529	WASHER, Transmission.....	4.164
WASHER, Door Lock.....	10.569	WASHER, Trans. Oil Control.....	4.265
WASHER, Door Opening and Windshield Pillar.....	10.694	WASHER, Transmission Clutch.....	4.169
WASHER, Door Window Regulator Manual or Electric.....	10.792	WASHER, Transmission Counter Gear Bearing.....	4.423
WASHER, Door Window.....	10.716	WASHER, Transmission Main Drive Gear Bearing.....	4.376
WASHER, Door Window.....	10.728	WASHER, Transmission Planet.....	4.175
WASHER, Exhaust Pipe.....	3.613	WASHER, Transmission Reverse Idler Gear Thrust.....	4.437
WASHER, Fittings Valve Rocker Arm Shaft Oil (Also see Group 8.963).....	1.531A	WASHER, Transmission Shaft and 2nd Speed Gear Thrust.....	4.398
WASHER, Fldg. Top Frame Riveted.....	13.365	WASHER, Transmission Throttle Valve.....	4.278
WASHER, Folding Top Side Rail Center.....	14.190	WASHER, Transmission 1st Reverse Gear.....	4.419
WASHER, Folding Top Side Roof Rail.....	14.162	WASHER, Transmission.....	4.164
WASHER, Front Body Hinge.....	12.840	WASHER, Transmission.....	4.256
		WASHER, Windshield Reveal.....	10.093
		WASHER, Windshield Washer Access Door..	10.130
		WASHER, Windshield Wiper Motor Aux.....	10.151

ALPHABETICAL INDEX

WASHER, Windshield Wiper.....	10.150
WEATHERSTRIP ASSY., Corvette Top Roof Outer.....	12.810
WEATHERSTRIP ASSY., Folding Top Side Roof Rail-Rear.....	14.260
WEATHERSTRIP, Back Window Glass (rubber).....	11.207
WEATHERSTRIP, Cowl Ventilator.....	10.331
WEATHERSTRIP, Cowl Ventilator.....	12.800
WEATHERSTRIP, Door Opening and Windshield Pillar.....	10.694
WEATHERSTRIP, Folding and Hard Top Front Roof Rail.....	14.060
WEATHERSTRIP, Folding Top Cover (on side belt rail).....	13.352
WEATHERSTRIP, Folding Top Side Rail Center.....	14.190
WEATHERSTRIP, Folding Top Side Roof Rail-Front.....	14.120
WEATHERSTRIP, Folding Top Side Roof Rail-Rear.....	14.260
WEATHERSTRIP, Folding Top-Rear.....	14.340
WEATHERSTRIP, Front Door Ventilator.....	10.652
WEATHERSTRIP, Hardtop.....	13.346A
WEATHERSTRIP, Hood Ledge (Cowl).....	12.801
WEATHERSTRIP, Rear Compartment Lid.....	12.269
WEATHERSTRIP, Windshield Glass (rubber)..	10.092
WEDGE, Back Window Glass (rubber).....	11.207
WEDGE, Directional Signal Lamp (See Group 9.748 tell tale windows).....	2.895
WEDGE, Door Dovetail Bumper Wedge.....	10.584
WEDGE, Door Opening and Windshield Pillar.....	10.694
WEDGE, Tilt or Tel. Steering Column.....	6.514
WEIGHT ASSY., Transmission.....	4.256
WEIGHT, Distributor.....	2.388
WEIGHT, Wheel Balance.....	5.805
WHEEL ASSY., Steering.....	6.513
WHEEL, Front or Rear.....	5.803
WICK, Generator Oil.....	2.301
WINDOW ASSY., Rear.....	13.389
WINDOW, Instrument Case Face.....	9.748
WIRE, Air Flow Control with Tube.....	9.787
WIRE ASSY., Air Conditioning, Electrical.....	9.276
WIRE ASSY., Body Wiring, Electrical Equipment Wiring (See Group 2.480 for Chassis Wiring Harness and Extension)..	13.090
WIRE ASSY., Carburetor Throttle Return Check.....	3.440
WIRE ASSY., Ignition Coil.....	2.171
WIRE ASSY., Ignition Switch Warning and Theft Alarm.....	2.195
WIRE ASSY., Parking.....	2.585
WIRE ASSY., Rear Window.....	9.778
WIRE ASSY., Spark Plug, w/Terminals, (Single Wire Replacement).....	2.240
WIRE ASSY., Transmission Control Safety.....	4.054
WIRE ASSY., Transmission Smog Control.....	4.075
WIRE ASSY., Windshield Wiper.....	10.150
WIRE, Carburetor Governor.....	3.870
WIRE, Electrical.....	2.530
WIRE UNIT, Spark Plug.....	2.239
WORM, Concealed Headlamp Control Drive..	2.760
WRENCH, Spark Plug.....	2.273
WRENCH, Wheel and Tire, Emergency Equipment.....	8.821

Y

YOKE ASSY., Rear Axle Universal Joint.....	5.425
YOKE ASSY., Steering Gear, with Worm.....	6.524
YOKE, Universal Joint and Transfer Case.....	5.555

GROUP 0.000
ENGINE — CLUTCH

ENGINE—CLUTCH

		0.002 BOLT—SHIM—SPACER—STUD, Engine Mounting (Small Attaching)			
65	Corvette w/Sp. H/Per. (396, 427)	9418633 A.R.	.26	frt. mtg. brkt. upper (2/8"—16 x 4 1/2" hex. hd.)—(8.900)	
66-67	Corvette w/H.D. Brake	3774468	2	.33 special hex. (7/16"—20 x 3)	
72	Corvette	399803	2	.39 engine mtg. to eng. bracket (hex. 7/16"—14 x 4 7/16")—(6.509)	
74-76	Corvette	331246 A.R.	.10	front mtg. (2/8"—16 x 15/16")	
66-74	Corvette w/C.A.C. (427, 454) ...	3910756	2	1.13 SHIM , front mtg.	
55-62	Corvette	3700333	2	.31 SPACER , frt. mtg. bolt (tube) (5/8" O.D. x 2 5/16" O.L.)	
55-57	Corvette w/P.G. (8 cyl.)	3729379	1	.17 STUD , trans. hsg. plug (7/16"—14—20 x 1 7/16" O.L.)	

		0.005 GASKET, Engine Front Mounting Plate			
53-55	Corvette	3703488	1	.27 (2 3/8" camhole)	

		0.010 GASKET UNIT, Engine or Tune Up			
<i>NOTE 1 The above Engine Small Parts Gasket Units together with Oil Pan Gasket Unit (Group 1.429) and Cylinder Head Gasket Unit (Group 0.289) provide all necessary Gaskets for complete engine overhaul.</i>					
59-75	Corvette (283, 327, 350)	3970634	1	5.05 engine	
65-73	Corvette (396, 427, 454)	328726	1	5.10 w/seal	

		0.027 MOUNTING, Engine (also see group 4.081)			
53-62	Corvette	3700332	2	3.95 front lower (Ident. No. 3700332)	
53-62	Corvette	3703873	2	4.00 front upper (Ident. No. 3703873)	
63	Corvette	3870182	1	4.10 (orange strip)—(4.081)	
63-72	Corvette	3990916	2	14.85 MOUNTING UNIT (Note 1)	
73-75	Corvette	6258154	2	14.85 MOUNTING UNIT	

NOTE 1 When using this unit on models with 327-350-427 engines, it is necessary to rework the spark plug wire shields per the instruction sheet included within the unit.

		0.029 BRACKET—SHIELD, Engine Mounting			
56-62	Corvette (8 cyl.)	3786779	1	4.26 between water pump and engine	
63-66	Corvette	3820369 L.H.	.78	rr. mtg. frame upper, left	
63-66	Corvette	3820370 R.H.	.78	rr. mtg. frame upper, right	
63-67	Corvette	3820372	1	2.35 trans. supt. mtg.	
68-76	Corvette (exc. T.H.)	3913882	1	2.45 engine rear	
63-75	Corvette	3819305 L.H.	4.66	BRACKET ASSY. , frt. mtg. frame, left	
63-75	Corvette	3819306 R.H.	4.27	BRACKET ASSY. , frt. mtg. frame, right	
68-69	Corvette w/H/Per., Sp. H/Per. (427) (exc. 3 x 2 B/C)			SHIELD , left side, mounting heat	
70-71	Corvette,				
72-74	Corvette (454)	3980706	2	1.38 mounting heat	

		0.033 BLOCK ASSEMBLY, Cylinder			
<i>NOTE CAUTION Combination not appearing below should be checked in the Engine Series Number and Suffix Chart in front of catalog to determine if the combination was available in production. If not available, no attempt should be made to make the installation.</i>					

PARTIAL ENGINE

NOTE. Includes block, crankshaft, camshaft, timing gears, pistons and connecting rods. Bolts on front end plate may have to be cut off flush when installing on 6 cyl. pass. jobs.

57-60	Corvette (283) (exc. F.I. w/H.L. Cam),				
61	Corvette (283) (exc. F.I.)	3970164	1	525.00	
<i>NOTE 1 On 1957 models it is mandatory to use two-3830711 Gaskets to seal water holes and prevent coolant leakage.</i>					
<i>NOTE 2 It may be necessary to transfer bearing cap bolts for oil pan baffle attachment.</i>					
<i>NOTE 3 It may be necessary to either transfer five bearing cap bolts or bearing cap studs.</i>					
62-65	Corvette (Sp. H/Per., F.I., w/Mech. Lifters) (327)	3970166	1	595.00	(Note 6)
<i>NOTE 6 On 1963 models it may be necessary to either transfer five bearing cap bolts or bearing cap studs. Also use 1969 inlet manifold gasket unit.</i>					
62-67	Corvette (327) (exc. Sp. H/Per., F.I.)	3970156	1	575.00	
65	Corvette (H/Per., Sp. H/Per. w/Hyd. lifters) (327),				
66-67	Corvette w/Sp. H/Per. (327) ...	3970158	1	595.00	
66-69	Corvette (427) (exc. H.D. Sp. H/Per.)	3958669	1	750.00	
66-69	Corvette w/Sp. H/Per. (427) ...	3970695	1	800.00	
67-68	Corvette w/H.D. (427),				
69	Corvette w/H.D. (427) (1st design)	3974228	1	875.00	(Note 7)

ENGINE—CLUTCH

0.033 BLOCK ASSEMBLY, Cylinder (Con't)

69	Corvette w/H.D. (427) (2nd design)	3970699	1	875.00	(Note 7)
<i>NOTE 7 Partial engines 3974228 (1st design) and 3970699 (2nd design) are not interchangeable. Partial engine 3970699 has floating piston design and is used with open chamber cylinder head.</i>					
68	Corvette w/Sp. H/Per. (327)	3933044	1	595.00	
68	Corvette (327) (exc. Sp. H/Per.)	3970654	1	575.00	
69-70	Corvette w/H/Per. (350)	3970653	1	800.00	
69-70	Corvette (350) (exc. H/Per., Sp. H/Per.)	3970655	1	661.00	
70	Corvette (454) (exc. H.D.)	3981818	1	850.00	
70	Corvette Sp. H/Per. (350)	3966921	1	800.00	
71-72	Corvette (350) (exc. Sp. H/Per.)	3997466	1	661.00	
71-72	Corvette w/Sp. H/Per. (350)	3997472	1	978.00	
71	Corvette w/Sp. H/Per. (454)	3997548	1	1006.00	
71-72	Corvette w/H/Per. (454)	6272185	1	891.00	
73	Corvette (350) (exc. Sp. H/Per.)				
74-75	Corvette (350) (exc. NB2, Sp. H/Per.)				
75-76	Corvette (350) (exc. Sp. H/Per.)	6259426	1	661.00	
73	Corvette (454)	6259224	1	891.00	
73-76	Corvette w/Sp. H/Per (350)	6259513	1	978.00	
74-75	Corvette w/NB2 (350) (exc. Sp. H/Per.)	344487	1	575.00	
74	Corvette (454)	345016	1	891.00	

FITTED CYLINDER BLOCK (Includes, Pistons, Pins, Rings and Bearings)

58-61	Corvette (283) (exc. F.I. w/H.L. Cam)	3970128	1	340.00	
62-66	Corvette (327) (exc. F.I., H/Per., Sp. H/Per.)				
67	Corvette (327) (exc. H/Per., Sp. H/Per., F.I.)	3970134	1	375.00	
62-67	Corvette w/Sp. H/Per., F.I. (327)	3970136	1	385.00	
65	Corvette w/Sp. H/Per. (396)	3981811	1	450.00	
66-68	Corvette (427) (exc. Sp. H/Per.)				
69	Corvette (427) (exc. Sp. H/Per., H.D.)	3970683	1	485.00	(Note 7)
66-69	Corvette w/Sp. H/Per. (427)	3970685	1	520.00	(Note 7)
<i>NOTE 7 When using on 1968 and past models, it is necessary to remove the two dowel pins from front of case when transferring front end cover from replaced engine.</i>					
67-68	Corvette w/H.D. (427)	3974227	1	505.00	
68	Corvette w/Sp. H/Per. (327)	3931636	1	385.00	
68	Corvette (327) (exc. Sp. H/Per.)	3970644	1	375.00	
69	Corvette w/H.D. (427)	3958656	1	505.00	
69-70	Corvette w/H/Per. (350)	3970643	1	500.00	
69-70	Corvette (350) (exc. H/Per., Sp. H/Per.)	3970645	1	431.00	
70	Corvette w/Sp. H/Per. (350)	3966920	1	520.00	
70	Corvette H/Per. (454)	3981808	1	505.00	(Note 8)
<i>NOTE 8 Transfer brg. cap studs from replaced engine.</i>					
71	Corvette w/Sp. H/Per. (454)	3997547	1	650.00	
71	Corvette w/H/Per. (454)	3997486	1	505.00	
71-72	Corvette (350) (exc. Sp. H/Per.)	3997426	1	431.00	
71-76	Corvette w/Sp. H/Per. (350)	3997428	1	598.00	
72	Corvette w/H/Per. (454)	6272178	1	633.00	
73	Corvette (454)	6259223	1	581.00	
73-76	Corvette (350) (exc. Sp. H/Per.)	6259425	1	375.00	
74	Corvette (454)	345014	1	581.00	

0.034 EXPANSION PLUGS, Cylinder Block (Also see 8.970)

53-73	Corvette	838538	1	.17	water jacket hole (1 ⁵ / ₈ " O.D. cup type)
53-55	Corvette (6 cyl.)	3835121	A.R.	.26	frt. and rr. (2 in.)
53-55	Corvette (6 cyl.)	3835577	A.R.	.11	oil press. pipe-in block (1 ⁹ / ₃₂ " O.D.-cup shape)
53-55	Corvette (6 cyl.)	3704158	1	.20	(2 ¹ / ₈ " dia.)—(0.553)
55-60	Corvette (8 cyl.)	3701638	6	.11	oil pressure and tappet (cup shape) (1 ¹ / ₂ "—(1.531)
55-68	Corvette (8 cyl.) (exc. 396, 427)	3738306	A.R.	.43	(square socket water jacket hole) (1 ¹ / ₄ "
58-74	Corvette (396, 427, 454) (exc. AL. Cyl. and Case)	3743389	11	.22	water jacket hole (cup type-1 ³ / ₄ " O.D.)
65	Corvette (396)	444776	9	.15	oil gallery (1 ¹ / ₁₆ " O.L. x 7 ¹ / ₁₆ " O.D.)—(8.971)
65-69	Corvette (396, 427),				
70-74	Corvette (454) (exc. H.D.)	3864810	4	.20	cyl. head and water jacket hole (cast iron heads)

0.034 EXPANSION PLUGS, Cylinder Block (Also see 8.970) (Con't)

69	Corvette w/AL. Cyl. and Case (427)	3959137	12	1.05	water jacket hole (1 ¹ / ₄ ")
75	Corvette (350)	3826504	1	.88	water jacket

0.056 BOLT—STUD, Crankshaft Bearing Cap

53-55	Corvette (6 cyl.)	839126	4	.29	rear (1 ¹ / ₂ "— 13 x 2 ³ / ₈ ")
53-55	Corvette (6 cyl.)	3835857	2	.47	frt. and rear inter. (9 ⁵ / ₁₆ "— 12 x 3)
55-61	Corvette (265, 283)	3836341	A.R.	.29	(7 ¹ / ₁₆ "-14 x 2 ²³ / ₆₄ "-300-M steel) (plain finish)
62	Corvette (283, 327) (exc. Sp. H/Per., F.I.),				
63-65	Corvette (exc. 409),				
66-68	Corvette (exc. 396, 427)	3872781	A.R.	.26	(7 ¹ / ₁₆ "— 14 x 3 ⁹ / ₃₂ ")
65-69	Corvette w/Sp. H/Per. (396, 427),				
66-69	Corvette w/H/Per. (427)				inboard,
67-69	Corvette (396, 427) (exc. AL. Cyl. and Case),				
70-74	Corvette (454) (exc. H.D.)	3909834	A.R.	.31	cap (3 ¹¹ / ₃₂ " long x 1 ³ / ₁₆ " thread length)
65-69	Corvette w/Sp. H/Per. (396, 427),				
67-70	Corvette w/H.D. (427),				
71	Corvette w/Sp. H/Per. (454)	3859927	10	.26	outboard (2 ²⁹ / ₆₄ " long x 5 ³ / ₆₄ " thread)
69-75	Corvette (350) (exc. Sp. H/Per.)	3932480	10	.26	(7 ¹ / ₁₆ "-14 x 3 ¹¹ / ₃₂ ")
69	Corvette w/AL. Cyl. and Case (427)	3952321	6	1.07	inboard (1 ¹ / ₂ "— 13 x 4 ¹ / ₄ ")
69	Corvette w/AL. Cyl. and Case (427)	3952323	10	.58	outboard (1 ¹ / ₂ "— 13 x 3 ¹ / ₁₆ ")
70-74	Corvette (350)	3877669	6	.29	short (2 ¹ / ₁₆ " O.L.) (raised cross on top of head)— (0.293)
60-61	Corvette w/H.L. Cam.	3769769	5	1.17	STUD (7 ¹ / ₁₆ "-14-3 ³ / ₈ "-16 x 5)
62-65	Corvette w/Sp. H/Per., F.I. (327)	3872718	A.R.	1.13	STUD (7 ¹ / ₁₆ "— 14— 2 ³ / ₈ "— 16 x 5 ¹ / ₄ ")
65-66	Corvette (396, 427),				
72-74	Corvette (454)				STUD (1 ¹ / ₂ "— 13— 2 ³ / ₈ "— 16 x 5 ¹ / ₈ "),
67-69	Corvette (427)	3902885	4	2.02	inboard crankshaft bearing cap
69-75	Corvette w/Sp. H/Per. (350)	3960312	A.R.	1.74	STUD (2 ³ / ₈ "— 16 x 7 ¹ / ₁₆ "— 14 x 5 ³ / ₈ ")
69	Corvette w/AL. Cyl. and Case (427)	3952322	4	1.97	STUD, inboard

0.093 PLASTIGAGE, Crankshaft Bearing

53-73	Corvette	1390274	A.R.	5.65	(green package-type PG-1) (12 pieces)
-------	--------------------	---------	------	------	---

0.095 CAP, Crankshaft Front Bearing

55-62	Corvette (8 cyl.),				
63-69	Corvette (exc. 396, 409, 427)	3970194	1	5.40	(blue stripe)
65-69	Corvette (396, 427) (exc. Sp. H/Per.),				
67-69	Corvette (427) (exc. Sp. H/Per., H.D., AL. Cyl. and Case),				
70-74	Corvette w/H/Per. (454)	3877462	4	5.15	(7 ¹ / ₁₆ " O.L. x 1 ³ / ₃₂ " wide) (two 1 ⁷ / ₃₂ " holes)
65-69	Corvette w/Sp. H/Per. (396, 427),				
67-69	Corvette w/H.D., AL. Cyl. and Case (427),				
70-71	Corvette w/Sp. H/Per. (454)	3877470	4	7.05	(No. 1, 2, 3, 4)
69-70	Corvette (350),				
71-76	Corvette w/Sp. H/Per. (350)	3956686	3	9.05	(4 bolt cap) (No. 2, 3, 4)
69-70	Corvette (350),				
71-75	Corvette w/Sp. H/Per. (350)				No. 1,
71-76	Corvette (350) (exc. Sp. H/Per.)	3956688	A.R.	8.40	No. 1, 2, 3, 4
73	Corvette w/Sp. H/Per. (350)	3973312	A.R.	5.30	No. 1, 2, 3, 4

0.096 BEARING UNIT, Crankshaft Front (1 Upper and 1 Lower)

See chart for Model Application

NOTE See Dealer Price Schedule (P&A 26) for applicable prices.

CRANKSHAFT MAIN BEARING CHART

		Position	STD.	.001 U.S.	.002 U.S.	.010 U.S.	.020 U.S.	.030 U.S.
54-55	Corvette (6 cyl.)	Front	3728971	—	—	—	—	—
55-56	Corvette (8 cyl.) (exc. dual 4BC)	All (exc. Rear)	3715024	—	—	—	—	—
55-61	Corvette (8 cyl.)	Rear	3730189	3730190	3730191	3730192	3730193	1
57-65	Corvette (283, 327)							
66-67	Corvette (283, 327) (exc. Sp. H/Per.)	Front	3876116	3876117	3876118	3876119	3876120	—
57	Corvette (8 cyl.)							
58-67	Corvette (283) (exc. H.L. Cam)							
62-67	Corvette (327)	All (exc. Front and Rear)	—	—	—	—	—	—
66-67	Corvette w/Sp. H/Per. (327)	Front	3876116	3876117	3832932 ^(*)	3832933 ^(*)	3876120	—
62-67	Corvette (327)	Rear	3779460 ^(*)	3779461 ^(*)	3779462 ^(*)	3779463 ^(*)	3779464 ^(*)	—
65-73	Corvette (396, 427, 454)	All (exc. Rear)	347013	347014	3885378	347016	347017	—
65-74	Corvette (396, 427, 454)	Rear	347018	347019	347020	347021	347022	—
68-75	Corvette (350)	All (exc. Rear)	3912038	3912039	3912040	3912041	3912042	—
68-75	Corvette (350)	Rear	3912030	3912032	3912033	3912035	3912036	—

		Position	STD.	.001 U.S.	.002 U.S.	.009 U.S.	.020 U.S.	.030 U.S.
57	Corvette (283)							
58-61	Corvette w/H.L. Cam (283)							
62-65	Corvette (327)	All (exc. Front, Rear)	—	—	—	—	—	—
66-67	Corvette w/Sp. H/Per. (327)	Front	—	—	—	3876070 ^(*)	—	—
57-65	Corvette (283, 327)							
67-68	Corvette (327)	Rear	—	—	—	3876071 ^(*)	—	—
57-66	Corvette (283, 327)							
67	Corvette (327)	Rear	—	—	—	3876071 ^(*)	—	—
68-73	Corvette (350)	All (exc. Rear)	—	—	—	3912037	—	—
68-75	Corvette (350)	Rear	—	—	—	3912034	—	—

NOTE Bearings having no supplementary note are Durex 100.

^(*) Aluminum M-400.

^(*) Aluminum M-420.

0.098 CAP, Crankshaft Front Intermediate Bearing. See Group 0.095 for Model Application

0.099 BEARING UNIT, Crankshaft Front Intermediate (1 Upper and 1 Lower)

See chart following Group 0.096 for Model Application

NOTE: See Dealer Price Schedule for applicable prices.

0.100 CAP, Crankshaft Center Bearing. See Group 0.095 for Model Application

0.101 BEARING UNIT, Crankshaft Center (1 Upper and 1 Lower)

See chart following Group 0.096 for Model Application

NOTE: See Dealer Price Schedule for applicable prices.

0.102 CAP, Crankshaft Rear Intermediate Bearing. See Group 0.095 for Model Application

ENGINE—CLUTCH

0.103 BEARING UNIT, Crankshaft Rear Intermediate (1 Upper and 1 Lower)

See chart following Group 0.096 for Model Application

NOTE: See Dealer Price Schedule for applicable prices.

0.105 CAP, Crankshaft Rear Bearing

59-67	Corvette (283, 327)	3911052	1	5.60	(Note 1)
	<i>NOTE 1. When using in place of 3759260 it is necessary to discard oil pump atch. bolt 3754998 and use bolt 3892678.</i>				
65-69	Corvette (396, 427) (exc. Sp. H/Per., H.D., AL. Cyl. and Case),				
65-69	Corvette w/Sp. H/Per. (396, 427),				
67-69	Corvette w/H.D. (427),				
70-74	Corvette (454)	3877464	1	5.30	
68-76	Corvette (327, 350)	3911007	1	4.93	

0.106 BEARING UNIT, Crankshaft Rear (1 Upper and 1 Lower)

See chart following Group 0.096 for Model Application

NOTE: See Dealer Price Schedule for applicable prices.

0.107 PIN, Crankshaft Bearing Cap

55-75	Corvette (8 cyl.)	3836903	A.R.	.10	rear cap (1/4" O.D. x 5/8" O.L.)— (0.738)
--------------	-------------------------	----------------	------	-----	---

0.137 SEAL, Crankshaft Rear Bearing and Cap Oil

53-55	Corvette (6 cyl.)	3835774	2	.43	(graphite impregnated -6 ¹³ / ₁₆ " long)
55-58	Corvette (8 cyl.) (exc. 348)	9772826	2	.34	(4 ³ / ₄ " O.L.)
59-68	Corvette (283, 327, 350),				
69-75	Corvette (350)	3958001	2	1.25	rear, oil
65-69	Corvette (396, 427, 454),				
70-74	Corvette (454)	3962863	2	1.25	(Note 1)

NOTE: 1 Upper and lower seal must be replaced simultaneously.

0.153 SHIM UNIT, Crankshaft Bearing Cap

53	Corvette w/P.G.,				
54-55	Corvette (6 cyl.)	3703652	A.R.	1.81	rear (.030 thick-laminated)
55-68	Corvette (exc. 396, 427),				
75-76	Corvette (350)				#1 cap,
75-76	Corvette (350) (exc. Sp. H/Per.) .	3911010	A.R.	1.74	#2-3-4 cap
58-72	Corvette (283, 327, 350),				
75	Corvette (350)	3911011	A.R.	1.74	rear cap (2 ⁹ / ₁₆ " O.L.)
65-72	Corvette (396, 427, 454)	3877476	A.R.	1.74	rear
65-72	Corvette (396, 427, 454)	3877468	A.R.	1.74	front and intermediate
69-72	Corvette (350),				
75-76	Corvette (350) (w/Sp. H/Per.) .	3956690	A.R.	1.74	#2-3-4 cap (Note 1)

NOTE 1. Used only with, four bolt brg. cap.

0.206 COVER— BOLT— LOCK— PIN, Crankcase Front End

53-55	Corvette (6 cyl.)	838869	1	5.75	w/oil seal
55-61	Corvette (8 cyl.),				
62-65	Corvette (exc. F.I., Sp. H/Per.),				
66-67	Corvette (327) (exc. Sp. H/Per.) .	3928971	1	5.00	w/oil seal (double timing mark brkt.)
62-68	Corvette w/Sp. H/Per. F.I. (327)	3923290	1	5.35	COVER ASSY.
68	Corvette (327) (exc. Sp. H/Per) .	3917618	1	5.35	COVER ASSY.
65-69	Corvette (396, 427),				
70-74	Corvette (454)	330850	1	6.60	COVER ASSY.
69-74	Corvette (350)	3991433	1	5.80	COVER ASSY.
53-55	Corvette (6 cyl.)	3770308	8	.17	BOLT, w/washer, cover attaching (1/4"— 20 x 5/16")
53-55	Corvette (6 cyl.)	3770309	A.R.	.15	BOLT (1/4"— 20 x 5/8")
62	Corvette (283, 327)	3817006	10	.11	BOLT (1/4"—20 x 7/16" ext. lockwasher)— (0.679)
53-55	Corvette (6 cyl.)	3835842	1	.22	LOCK, frt. cover bolt
55-73	Corvette (8 cyl.)	3836903	2	.10	PIN, dowel (1/8" x 5/8")— (0.738)

0.207 GASKET, Crankcase Front End Cover

53-55	Corvette (6 cyl.)	838206	1	.18	(12 attach. holes)
55-75	Corvette (8 cyl.) (exc. 396, 427, 454)	3799620	1	.24	(attach. 2 dowel holes)
65-68	Corvette (396, 427)	3860096	1	.31	(10 holes)
69-74	Corvette (427, 454)	3935449	1	.38	

ENGINE—CLUTCH

0.213 SEAL, Crankcase Front End Cover

53-75	Corvette (exc. 396, 427, 454) . . .	3980267	1	3.10	(2 ⁷ / ₁₆ " O.D.-stamped 3980267)
65-74	Corvette (396, 427, 454)	3860095	1	2.13	(3" O.D.-stamped 3860095)

0.219 POINTER, Timing

69-75	Corvette w/Sp. H/Per. (350) . . .	3991436	1	.48	
69-75	Corvette (350) (exc. Sp. H/Per.) . .	3991435	1	.48	
65-69	Corvette (396, 427),				
71-74	Corvette (454)	3992073	1	.43	

0.269 HEAD, Cylinder

53-55	Corvette (235)	3836954	1	100.25	w/valve guides (Ident. No. 3836848) (also see Notes 1 thru 3)
-------	--------------------------	---------	---	--------	---

NOTE 1 838539 Seat must be used on jobs w/o hydraulic valve lifters.

NOTE 2 When used on 1953 Corvette, valve rocker cover 3836242 and gasket 3708646 or 3708648 must be used. Install (2) 9411925 valve rocker cover shaft support bolts.

NOTE 3 Part No. 838539 is not required if replaced head has spring seats which can be transferred.

NOTE 4 Used with 3850089 valve rocker cover unit.

56-60	Corvette,				
61	Corvette (exc. F.I.),				
62-64	Corvette (327) (exc. H/Per., F.I., Sp. H/Per.)	3817680	2	89.30	right and left (Ident. No. 3795896) (Note 5)

NOTE 5 When using 3817680 on 1957-1958 models it will also be necessary to use cyl. head gasket 3830711.

61	Corvette w/F.I.,				
62-63	Corvette w/H/Per., Sp. H/Per., F.I. (327),				
64	Corvette w/H/Per. (327),				
65-68	Corvette (327) (exc. Sp. H/Per., F.I.),				
69-70	Corvette (350) (exc. H/Per., Sp. H/Per.)	3958603	2	89.30	w/studs
64-68	Corvette w/Sp. H/Per., F.I. (327),				
69	Corvette w/H/Per. (350),				
70	Corvette w/H/Per., Spec. H/Per. (350)	3987376	2	97.05	guide and studs
65-69	Corvette (396, 427) (exc. Sp. H/Per., H.D., AL. Cyl. and Case)	3931062	2	101.75	w/valve guide (Note 6)
65-69	Corvette w/Sp. H/Per. (396, 427)	3919839	2	114.00	w/valve guide (cast iron head) (Note 6)

NOTE 6 When using on models prior to 1968 use pipe plug 444667 or 444746 to plug water temp. switch hole.

67-69	Corvette w/H.D., Sp. H/Per. (427)	3919838	2	277.25	w/valve guide (aluminum head)
69	Corvette w/H.D., AL. Cyl. and Case (427)	3946072	2	277.25	w/valve guide
70	Corvette (454) (exc. H.D.)	3964286	2	117.00	w/guide and cyl. valve
70-71	Corvette w/H.D., Sp. H/Per. (454)	3981070	1		w/valve guide (aluminum head)
71-72	Corvette w/Sp. H/Per. (350) . . .	6272068	2	89.30	w/stud
71-72	Corvette (454) (exc. Sp. H/Per.) . .	3999240	2	117.00	w/valve guide
71	Corvette w/Sp. H/Per. (454) . . .	3994025	2	117.00	w/valve guide
73	Corvette (454)	353047	2	117.00	w/guide
73	Corvette w/Sp. H/Per (350)	6259515	2	89.30	
74	Corvette (454)	352625	2	117.00	w/guide
71-75	Corvette (350) (exc. Sp. H/Per.) . .	6260856	2	103.00	w/stud
74-75	Corvette w/Sp. H/Per. (350) . . .	6260858	2	103.00	w/stud and guide

0.283 GUIDE, Inlet and Exhaust Valve Stem

53-55	Corvette (6 cyl.)	3708168	6	1.25	inlet (3 ⁹ / ₁₆ " I.D. x 9 ⁹ / ₁₆ " O.D.) (Note 1)
53-55	Corvette (6 cyl.)	3688761	6	1.28	exhaust (2 ⁷ / ₁₆ " length-straight sides) (Note 1)

NOTE 1 To obtain proper valve stem clearance, guides must be finished with .343 hand reamer after installation in cylinder head.

0.289 GASKET UNIT— GASKET, Cylinder Head

55-56	Corvette (8 cyl.)	3711846	1	8.50	(Note 1)
-------	-----------------------------	---------	---	------	--------------------

NOTE 1 Consists of gaskets for cylinder heads, rocker covers, intake and exhaust manifolds, carburetor, distributor, air cleaner and water outlet.

57-68	Corvette (283, 327)	3931606	1	9.15	
65	Corvette w/Sp. H/Per. (396)	3878694	1	11.20	(Note 2)

NOTE 2 Consists of 12 gaskets, 16 seals, 2 exhaust pipe packings.

66	Corvette (427),				
67-72	Corvette (427, 454) (exc. Sp. H/Per., H.D.)	6259322	1	14.20	
67	Corvette w/H.D. (427),				

ENGINE—CLUTCH

0.289 GASKET UNIT— GASKET, Cylinder Head (Con't)

68-71	Corvette w/Sp. H/Per. (427, 454)	6259319	1	13.80	(alum. head)
68-69	Corvette w/H.D. (427)	3974218	1	19.75	
69-71	Corvette (327, 350)	3957998	1	9.40	
73	Corvette (454)	338381	1	15.80	
73	Corvette (350)	6258831	1	12.65	
74	Corvette (350)	345196	1	12.65	
75-76	Corvette (350)	356804	1	12.65	
53-55	Corvette (6 cyl.)	3701296	1	3.24	GASKET
55-75	Corvette (265, 283, 327, 350) ..	3830711	2	1.68	GASKET
65	Corvette w/Sp. H/Per. (396),				
66-70	Corvette (427, 454) (exc. H.D.),				
71-72	Corvette w/H/Per. (454),				
73-74	Corvette (454)	330860	2	1.51	Gasket (22 1/2" O.L.)
67	Corvette w/H.D. (427)	3887179	2	5.45	GASKET
68-69	Corvette w/H.D. (427)	3969865	2	6.75	GASKET
68-69	Corvette w/Sp. H/Per. (427),				
71	Corvette w/Sp. H/Per. (454) ...	3921940	2	4.54	GASKET (Al. Cyl. Head)

0.293 BOLT— INSERT— PIN— STUD— WASHER, Cylinder Head

53-55	Corvette (6 cyl.)	3835811	A.R.	.58	long (12/32"— 13 x 4 1/2"—raised circle on Hd.)
53-55	Corvette (6 cyl.)	3835812	A.R.	.43	short (12/32"— 13 x 3 5/32"—raised circle on Hd.)
55-75	Corvette (265, 283, 327, 350) ..	3704796	16	.20	short (7/16"—14 x 1 3/4")
55-75	Corvette (265, 283, 327, 350) ..	3734594	A.R.	.20	long (1/16"—14 x 3 3/4") (circle on top of head)
59-75	Corvette (265, 283, 327, 350) ..	3767468	4	.20	medium (7/16"— 14 x 3) (circle on top of head) (Note 1)
<i>NOTE 1 Use with cylinder head with cast-in oil trough on outer edge.</i>					
65-74	Corvette (396, 427, 454) (exc. AL. Cyl. and Case)	3877668	24	.37	long (4 1/2" O.L.) (raised cross on top of head)
65-74	Corvette (396, 427, 454),				
75	Corvette w/Sp. H/Per. (350) ...	3877669	6	.29	short (2 1/16" O.L.) (raised cross on top of head)
69	Corvette w/Al. Cyl. and Case (427)	3952330	24	.48	long (7/16"— 14 x 4 9/16")
69	Corvette w/Al. Cyl. and Case (427)	3952331	8	.43	short (7/16"— 14 x 2 1/2")
69-70	Corvette w/Al. Cyl. and Case (427, 454)	452720	32	.56	INSERT (7/16"— 14 x 7/8")— (8.914)
65-74	Corvette (396, 427, 454)	3894327	4	.15	PIN, special (1/2" I.D. x 5/8" diameter)
75	Corvette (350)	585927	4	.15	PIN (5/16" x 9/16")
69	Corvette w/H.D., Al. Cyl. and Case (427),				
71	Corvette w/Sp. H/Per. (454) ...	3946079	4	.64	STUD (7/16"— 14— 20 x 2 5/8")
66-68	Corvette w/Sp. H/Per., H.D., AL. Cyl. and Case (427),				
71	Corvette w/Sp. H/Per. (454) ...	3899696	32	.30	WASHER, cylinder head (aluminum) special (29/64")

ENGINE—CLUTCH

0.296 VALVE, Inlet

Refer to following Chart for Model Application

NOTE See Dealer Price Schedule (P&A 26) for applicable prices.

	STD.	.003 O.S.	.015 O.S.	.030 O.S.
53-55 Corvette (6 cyl.)	3815082	—	—	—
55-56 Corvette (8 cyl.) (exc. dual 4BC),				
57-59 Corvette (8 cyl.) (exc. H.L. Cam, 348),				
60-61 Corvette (283) (exc. H.L. Cam),				
62-64 Corvette (283, 327) (exc. H/Per., Sp. H/Per., F.I.) .	3989083	3995684	3995685	3995686
56 Corvette w/dual 4BC,				
57-59 Corvette w/H.L. Cam (283),				
60-61 Corvette (dual 4BC w/H.L. Cam),				
60 Corvette (F.I. w/H.L. Cam) 3774695(?)	—	—	—	—
<i>(?) Identified by swirl polish under head and thin necked stem.</i>				
61 Corvette w/F.I.,				
62-63 Corvette w/H/Per., Sp. H/Per., F.I.,				
64 Corvette w/H/Per.,				
65-68 Corvette (327) (exc. Sp. H/Per., F.I.),				
69-75 Corvette (350) (exc. H/Per., Sp. H/Per.)	3989085	3995681	3995682	3995683
64-68 Corvette w/Sp. H/Per., F.I. (327),				
70-75 Corvette w/Sp. H/Per. (350)	3849814	3849815	3849816	3849817
65-68 Corvette w/Sp. H/Per., H.D. (396, 427),				
69 Corvette w/Sp. H/Per. (427),				
69 Corvette w/H.D. (427) (1st design) (396, 427)	3864808	3876813	3876814	3876815
65-69 Corvette (396, 427) (exc. Sp. H/Per., H.D., Al. Cyl. and Case),				
70 Corvette (454) (exc. H.D.),				
71 Corvette w/H/Per. (454) .	6263754	6263767	6263768	3931096
69-70 Corvette w/H/Per. (350) .	3942556	3849815	3849816	3942559
69-70 Corvette w/H.D. (427) (2nd design),				
69 Corvette w/Al. Cyl. and Case (427),				
71 Corvette w/Sp. H/Per. (454)	3969815	3969816	3969817	3969818
72 Corvette w/H/Per. (454),				
73-74 Corvette (454)	6263754	6263767	6263768	6263769

ENGINE—CLUTCH

0.297 VALVE, Exhaust

Refer to following Chart for Model Application

NOTE See Dealer Price Schedule (P&A 26) for applicable prices.

	STD.	.003 O.S.	.015 O.S.	.030 O.S.
53-55 Corvette (6 cyl.)				
55-57 Corvette (265) (exc. F.I., H.L. Cam)				
58-69 Corvette (283, 307) (exc. dual 4BC, H.L. Cam)				
62-70 Corvette (327, 350) (exc. H/Per., Sp. H/Per., F.I.)				
72-76 Corvette (350) (exc. Sp. H/Per.)	3989084	3995602	6263775	6263776
56-63 Corvette w/H.L. Cam (265, 283, 327)	3779486	—	—	—
64-68 Corvette w/Sp. H/Per., F.I. (327)				
70-72 Corvette w/Sp. H/Per. (350)	3849818	3850040	3850041	3850042
65-69 Corvette w/Sp. H/Per. (396, 427) (exc. aluminum heads)	3860002	3863185	6263735	3863187
65-69 Corvette (396, 427) (exc. Sp. H/Per., H.D., AL. Cyl. and Case)				
70 Corvette (454) (exc. H.D.)				
71-72 Corvette w/H/Per. (454)				
73-74 Corvette (454)	3931006	3931097	3931098	3931099
67-69 Corvette (427 Sp. H/Per. w/aluminum heads)				
69 Corvette w/H.D. (427) (1st design)	3879619	3879903	3879904	3879905
69 Corvette w/H.D. (427) (2nd design)				
69 Corvette w/AL. Cyl. and Case (427)				
71 Corvette w/Sp. H/Per. (454)	3946077	3947872	3947873	3947874
68-70 Corvette w/H/Per. (350)				
73-75 Corvette w/Sp. H/Per. (350)	3937750	3940912	3940913	3940914
76 Corvette (350) (exc. H/Per.)	329275	—	—	—

0.303 SPRING— SHIM, Valve

53-55 Corvette (6 cyl.)	3836132	12	.47	inlet and exhaust, inner (2 ¹⁴ ” free length) (pink or white)
53-55 Corvette (6 cyl.)	3836133	12	.96	inlet and exhaust, outer (2 ⁷ / ₃₂ ” free length) (pink or white)
55-66 Corvette (8 cyl.) (exc. 396, 427)	3735381	A.R.	1.25	inlet and exhaust, w/damper (2 yellow stripes plus maroon, aluminum, dk. green, black, blue and white, or tan stripe)
67-72 Corvette (283, 327, 350)				
73-75 Corvette w/Sp. H/Per. (350)				w/damper inlet and exhaust
73-75 Corvette (350) (exc. Sp. H/Per.)	3911068	A.R.	1.20	inlet
67-69 Corvette w/H.D., Al. Cyl. and Case (427)	3916184	16	2.85	w/damper
73-75 Corvette (350) (exc. Sp. H/Per.)	6263796	8	1.30	w/damper, exhaust valve
73-74 Corvette (454)	353075	16	1.95	w/damper
65 Corvette w/Sp. H/Per. (396)				
66-72 Corvette (427, 454) (exc. H.D.)	3970627	16	2.10	SPRING UNIT (Note 1)
<i>NOTE 1 When using 3970627 it is necessary to discard the valve spring cap and valve stem oil seal which were used with 1st design spring.</i>				
55-74 Corvette (8 cyl.) (exc. H.L. Cam, 396, 427, 454)	3731058	16	.11	SHIM (⁶⁵ / ₆₄ ” I.D. x 1 ¹⁵ / ₆₄ ” O.D. x 1/2” thick) (Note 2)
<i>NOTE 2: To be used in place of valve stem oil shield when removed at customers request.</i>				
65 Corvette w/Sp. H/Per. (396)	3864904	16	.11	SHIM (⁴⁵ / ₆₄ ” I.D. x 1 ³ / ₆₄ ” thick)
66-74 Corvette (427, 454)	3875916	16	.12	SHIM , spring (⁴⁵ / ₆₄ ” I.D. x 1 ³¹ / ₆₄ ” O.D. x 1/64” thick)
67-69 Corvette w/H.D., Al. Cyl. and Case (427)	3891521	16	.27	SHIM , spring

ENGINE—CLUTCH

0.308 SEAL— SHIELD, Valve Spring Cap

53-75	Corvette (exc. 396, 427, 454) . . .	3835333	A.R.	.16	"O" ring, inlet and exhaust
65-69	Corvette (396, 427) (exc. H.D.) (1st design)				valve stem oil, inlet and exhaust (Note 1), . . .
73-74	Corvette (454)	3866612	A.R.	.21	exhaust valve
	<i>NOTE 1 For 2nd design application see 3964264 CAP ASSY. group 0.309.</i>				
71-74	Corvette (454)	352698	1	4.95	SEAL UNIT , valve stem oil inlet
55-61	Corvette (8 cyl.),				
63-75	Corvette (exc. 396, 427, 454) . . .	3836755	A.R.	.17	SHIELD (cup shape-7/8" I.D. x 1 3/8" O.D.) . . .

0.309 CAP— ROTATOR ASSY., Valve Spring

55-62	Corvette (283, 327),				
63-66	Corvette (exc. 396, 427)	3729363	A.R.	.37	inlet and exhaust (1 3/16" O.D.-stamped "H") . . .
65-69	Corvette (427) (exc. H.D.) (1st design)	3859909	16	.37	inlet and exhaust (1 13/32" O.D.) (stamped "T") (Note 1)
	<i>NOTE 1 For 2nd design application see 3964264 CAP ASSY., group 0.309.</i>				
65	Corvette w/Sp. H/Per. (396),				
73-74	Corvette (454)	3864900	16	.37	(stamped "O")
67-75	Corvette (327, 350)	3896934	A.R.	.37	valve spring cap ("A" stamped on top of the surface, inlet) (1 13/32" O.D.)
67-69	Corvette w/H.D., Al. Cyl. and Case (427)	3879613	16	1.65	valve spring
71-72	Corvette (454)	3999199	8	.40	inlet valve spring (.41 high)
69-72	Corvette (427, 454) (exc. H.D.) (2nd design)	3964264	16	.44	CAP ASSY. , w/deflector (Note 2)
73-75	Corvette (350)	6263794	8	2.70	ROTATOR ASSY. , exhaust valve
73-74	Corvette (454)	330848	8	3.00	ROTATOR ASSY. , exh. valve
	<i>NOTE 2 1st design vehicle required a cap and seal while 2nd design vehicle requires 3964264 CAP ASSY.</i>				

0.310 KEY, Valve Stem

53-69	Corvette (exc. 396, 427),				
70	Corvette (350) (exc. H/Per., Sp. H/Per.),				
71-75	Corvette (350) (exc. Sp. H/Per.) . . .	838029	A.R.	.06	("U" shape)
65-74	Corvette (396, 427, 454)	3947880	32	.11	(green)
69-75	Corvette w/H/Per., Sp. H/Per. (350)	3947770	32	.11	(purple)

0.333 ARM, Valve Rocker, with Adjusting Screw and Nut

53-55	Corvette (6 cyl.)	3837031	3	2.74	exhaust, L. (Ident. No. "7") (dab of blue paint) (Ident. No. 3837027 or 3764487) . . .
53-55	Corvette (6 cyl.)	3837032	3	2.74	exhaust, R. (Ident. No. "8") (dab of blue paint) (Ident. No. 3837028 or 3764488) . . .
53-55	Corvette (6 cyl.)	3837029	3	2.74	inlet, L. (Ident. No. "5") (dab of blue paint) (Ident. No. 3837025 or 3764485)
53-55	Corvette (6 cyl.)	3837030	3	2.74	inlet, R. (Ident. No. "6") (dab of blue paint) (Ident. No. 3837026 or 3764486)
55-69	Corvette (8 cyl.) (exc. 396, 427),				
70-75	Corvette (350)	3974290	16	2.25	
69-70	Corvette w/H.D. (427, 454) (2nd design),				
69	Corvette w/AL. Cyl. and Case (427),				
71	Corvette w/Sp. H/Per. (454) . . .	3959182	16	3.25	(stamped "H")
68-69	Corvette (427) (exc. Sp. H/Per., H.D., AL. Cyl. and Case),				
70	Corvette (454) (exc. H.D.),				
71-72	Corvette w/H/Per. (454)				inlet and exhaust
65-69	Corvette w/Sp. H/Per. (396, 427),				
67-68	Corvette w/H.D. (427),				
69	Corvette w/H.D. (427) (1st design),				
73-74	Corvette (454)	6258611	16	3.04	ARM UNIT , w/ball and nut

0.349 SUPPORT, Valve Rocker Arm Shaft

53-55	Corvette (6 cyl.)	3783230	6	1.20	(Ident. No. 3783230 or 3836114)
--------------	-----------------------------	----------------	---	------	---

0.352 SHAFT UNIT, Valve Rocker

NOTE 1 Contains (1) frt. and (1) rear valve rocker shaft, (1) L.H. and (1) R.H. inlet valve rocker arm assy., (2) insulators, (2) springs and (2) washers.

0.353 SHAFT, Valve Rocker Arm, with Plug (see group 1.531 for Fittings)

53-55	Corvette (6 cyl.)	3836138	2	3.94	(2 grooves on plug end) (Note 1)
--------------	-----------------------------	----------------	---	------	--

NOTE 1 When used on models prior to 1954, four 9411925 Bolts and two 3835659 Studs are required.

0.356 PLUG, Valve Rocker Shaft

0.376 SPRING, Valve Rocker Shaft

53-55	Corvette (6 cyl.)	3835508	4	.10	(2 ⁵ / ₁₆ " free length)
53-55	Corvette (6 cyl.)	837253	4	.15	(7 ⁷ / ₁₆ " free length)

0.386 COVER— EMBLEM— GROMMET, Valve Rocker Arm

56-59	Corvette w/dual 4BC, F.I.	3726086	2	10.00	cast aluminum (10 ³ / ₆₄ " outer hole spacing)
56-59	Corvette w/4BC	3728443	2	4.80	steel (10 ³ / ₆₄ "-outer hole spacing)
59-61	Corvette (exc. 4BC),				
62-67	Corvette w/Sp. H/Per., F.I. (327)	3767493		8.55	COVER UNIT (8 ¹³ / ₁₆ " outer hole spacing)
59-61	Corvette w/4BC,				
62-67	Corvette (327) (exc. Sp. H/Per., F.I.)	3910298	2	6.70	COVER ASSY., right or left
65	Corvette w/Sp. H/Per. (396),				
66	Corvette w/Sp. H/Per. (427),				
67	Corvette (427) (exc. Sp. H/Per., A.I.R.),				
71-74	Corvette (454)	338262	R.H.	10.40	COVER ASSY.
65	Corvette w/Sp. H/Per. (396),				
66	Corvette (427)	3877635	L.H.	8.30	COVER ASSY.
66	Corvette (427) (exc. Sp. H/Per.)	3893232	R.H.	8.80	COVER ASSY.
66	Corvette w/Sp. H/Per. (427),				
67	Corvette w/Sp. H/Per. (396, 427)	3908923	L.H.	19.15	COVER ASSY. (chrome) (aluminum head)
66	Corvette w/Sp. H/Per. (427),				
67	Corvette w/Sp. H/Per. (427) (exc. A.I.R.),				
68-69	Corvette (427),				
70	Corvette (454)	325174	R.H.	18.15	COVER ASSY. (chrome)
67	Corvette w/Sp. H/Per., A.I.R. (427)	3902390	R.H.	19.15	COVER ASSY. (chrome plate) (w/aluminum head)
67	Corvette w/A.I.R. (427) (exc. Sp. H/Per. w/aluminum head)	3902392	R.H.	8.05	COVER ASSY.
67	Corvette (427) (exc. Sp. H/Per. w/aluminum head)	3908929	L.H.	8.50	COVER ASSY.
68-70	Corvette (427, 454)	325169	L.H.	18.15	COVER ASSY. (chrome)
68	Corvette w/Sp. H/Per. (327)	3923226	2	15.05	COVER ASSY. (chrome)
68	Corvette (327) (exc. Sp. H/Per.),				
69-73	Corvette (350) (exc. H/Per., Sp. H/Per.)	6272227	2	9.50	COVER ASSY., right or left
69	Corvette w/H/Per. (350),				
70-75	Corvette w/H/Per., Sp. H/Per. (350)	3965541	L.H.	17.50	COVER ASSY., w/oil filler cap
69-75	Corvette w/H/Per., Sp. H/Per. (350)	3965542	R.H.	17.50	COVER ASSY.
71-72	Corvette (454)	338261	L.H.	10.70	COVER ASSY.
73-74	Corvette (454)	330891	LH	10.00	COVER ASSY., left
74	Corvette (350) (exc. Sp. H/Per.)	340267	L.H.	8.40	COVER ASSY., left
74-75	Corvette (350) (exc. Sp. H/Per.)	340268	R.H.	8.40	COVER ASSY., right
75	Corvette (350) (exc. Sp. H/Per.)	355965	L.H.	9.40	COVER ASSY., left
69-75	Corvette w/H/Per., Sp. H/Per. (350)	3946860	1	.60	EMBLEM, cover, right side
65-69	Corvette,				
72	Corvette w/H/Per. (454)	3894337	1	.10	GROMMET, cover to A/Cl. (1 ¹⁵ / ₁₆ " I.D. x 1 ⁷ / ₃₂ " O.D.) (Note 2, 3)— (1.745)

NOTE 2 May be used with or without closed vent.

NOTE 3 When using on closed vent. equipped vehicles, it will be necessary to remove center from grommet to permit assembling of fresh air connector into side of cover.

0.413 BOLT— INSULATOR— REINFORCEMENT, Valve Rocker Cover and Support (Also See Group 0.366)

54-75	Corvette	180016	1		(1 ¹ / ₄ "-20 x 1 ¹ / ₂ "— (8.900)
53	Corvette	839083	2	.11	INSULATOR (rubber-1 ¹ / ₂ " I.D. x 7 ⁷ / ₈ " O.D.)
54-75	Corvette	3877670	A.R.	.11	REINFORCEMENT (1 ¹ / ₂ " O.L.) (Note 1)

NOTE 1 Use with Bolt 180016.

0.423 GASKET, Valve Rocker Cover

53	Corvette	3694248	1	1.29	(cork- ³ / ₁₆ " thick)
53	Corvette	3696781	1	1.45	(cork-1 ¹ / ₄ " thick)
54-55	Corvette (6 cyl.)	3708646	1	1.24	(cork- ⁵ / ₃₂ " thick)
54-55	Corvette (6 cyl.)	3708648	1	1.45	(cork-1 ¹ / ₄ " thick)
55-75	Corvette (8 cyl.) (exc. 396, 427, 454)	3933964	2	1.18	

ENGINE—CLUTCH

0.423 GASKET, Valve Rocker Cover (Con't)

65-74 Corvette (396, 427, 454) **3860315** 2 1.06 (21³¹/₃₂" O.L. x 6¹¹/₁₆" wide) (6 tabs)

0.426 ROD, Valve Push

53-55 Corvette (6 cyl.) **3836261** 12 1.20 (10⁵/₈" long)

55-75 Corvette (8 cyl.) (exc. 396, 427, 454) **3796243** A.R. 1.97 (7²⁵/₃₂" O.L.) (blue stripe) (Note 1, 2, 3)

NOTE 1 May also be used on all past model 283 cu. in. high performance engines if improved durability is required.

NOTE 2 May have one black stripe at each end.

NOTE 3 Color marked end to be at valve rocker arm.

65-66 Corvette (396, 427),

67 Corvette (396, 427) (exc. Sp. H/Per.),

67-70 Corvette w/Sp. H/Per. (427),

70-72 Corvette (454) (exc. H.D.) **3946067** 8 1.55 inlet (8⁷/₃₂" O.L.)

65-66 Corvette (396, 427),

67 Corvette (396, 427) (2nd design) (exc. Sp. H/Per.),

67-69 Corvette w/Sp. H/Per. (427),

70-72 Corvette (454) **3946069** 8 1.55 exhaust (9³/₁₆" O.L.) (Note 4)

67 Corvette (396, 427) (1st design) (exc. Sp. H/Per.),

73-74 Corvette (454) **346282** 8 1.20 exhaust (9³/₁₆" O.L.) (Note 4)

67 Corvette (396, 427) (1st design) (exc. Sp. H/Per.),

73-74 Corvette (454) **3904376** 8 1.20 inlet (8⁷/₃₂" O.L.) (Note 4)

69 Corvette w/H.D., Al. Cyl. and Case (427) **3942415** 8 1.92 exhaust

69 Corvette w/H.D., Al. Cyl. and Case (427) **3942416** 8 1.92 inlet

NOTE 4 1st design engines will be built prior to 9-1-66 and will be identified on the engine stamp pad by T08 plus the day built.

0.429 BALL—NUT—SCREW—STUD, Valve Push Rod Adjusting

55-69 Corvette (8 cyl.) (exc. 396, 427),

73 Corvette (350) **3744340** A.R. .29 (1³/₁₆" dia.)

65-73 Corvette (396, 427, 454) **3899622** 16 .41 (8¹/₆₄" dia.) valve rocker arm

70-75 Corvette (350) **3959142** A.R. .34 (1³/₁₆" dia.)

74 Corvette (454) **5232762** 16 .37 valve rocker arm

55-62 Corvette (8 cyl.),

63-75 Corvette (exc. 396, 427, 454) **3744341** 16 .20 **NUT**, valve rocker arm (3⁵/₈"—24) (5¹/₈" across the flats x 1¹/₂" thk.)

65-74 Corvette (396, 427, 454) **3896648** 16 .20 **NUT**, valve rocker arm (hex. lk. 7⁷/₈"—20 cad.)

53-55 Corvette (6 cyl.) **837385** 12 .17 **SCREW** (7⁷/₁₆"—20 x 1⁵/₃₂"—ball end)

55-56 Corvette (8 cyl.) (exc. dual 4BC) **3713065** 16 .26 **STUD**, valve rocker arm ball (.003 O.S.—3³/₈"—24 x 2⁵/₈")

57-62 Corvette (8 cyl.),

63-69 Corvette (exc. 396, 427),

70-74 Corvette (350) (exc. Sp. H/Per.) **3814692** 16 .48 **STUD**, valve rocker arm ball (.003 O.S.—light blue paint)

57-62 Corvette (8 cyl.),

63-69 Corvette (exc. 396, 427),

70-72 Corvette (350) (exc. Sp. H/Per.) **3815892** 16 .48 **STUD**, valve rocker arm ball (.013 O.S.—blue paint)

65-74 Corvette (396, 427, 454) **3921912** 16 .53 **STUD**, valve rocker arm ball (Note 1)

NOTE 1 When using 3921912 in place of 3904396 on aluminum head, it is mandatory to install 452716 helicoil.

70-75 Corvette w/Sp. H/Per. (350) **3973416** 16 .48 **STUD**, valve rocker arm ball

0.439 COVER—GUIDE, Valve Push Rod

53-55 Corvette (6 cyl.) **3701541** 1 3.17 (5⁵/₈" x 27-dimple in center)

65-66 Corvette (396, 427),

67 Corvette (396, 427) (2nd design) (exc. Sp. H/Per.),

67 Corvette w/Sp. H/Per. (427),

68-72 Corvette (427, 454) (exc. H.D.) **3860038** 8 .65 **GUIDE** (2 holes and 2 "U" slots) (Note 1)

67 Corvette (396, 427) (1st design) (exc. Sp. H/Per.),

73-74 Corvette (454) **3904378** 8 .59 **GUIDE** (3³/₁₆" push rod slot 3³/₃₂" thick) (Note 1)

NOTE 1 1st design engines will be built prior to 9-1-66 and will be identified on the engine stamp pad by T08 plus the day built.

67 Corvette w/H.D. (427) **3879620** 8 2.24 **GUIDE**

70-75 Corvette w/Sp. H/Per. (350) **3973418** 8 .58 **GUIDE**

ENGINE—CLUTCH

0.443 GASKET, Valve Push Rod Cover					
53-55	Corvette (6 cyl.)	3701542	1	1.06	(5 ⁵ / ₈ " x 27— w/lobe on bottom)
0.459 TAPPET, Valve (or Lifter)					
53-55	Corvette (6 cyl.)	3836342	12	3.05	mechanical type, single groove around body
55-56	Corvette (8 cyl.)	5231315	16	2.13	mechanical type (two piece body-hole in body-2 grooves)
55-65	Corvette w/hydraulic lifter (8 cyl.) (exc. 396),				
66	Corvette (396, 427),				
66-69	Corvette (327, 350),				
70-75	Corvette (350) (exc. Sp. H/Per.)	5232670	16	3.74	
57-58	Corvette w/H.L. Cam (exc. A.T.),				
59-65	Corvette w/H.L. Cam,				
70-72	Corvette w/Sp. H/Per. (350)	5231585	16	2.77	mechanical type (two piece body-2 holes in body-single groove around body)
65-69	Corvette w/Sp. H/Per., H.D. (396, 427),				
71	Corvette w/Sp. H/Per. (454)	5232695	16	2.95	mechanical type (2" O.L. x 27 ⁷ / ₃₂ " O.D.)
67-69	Corvette (396, 427) (exc. Sp. H/Per.),				
70-74	Corvette (454) (exc. H.D.)	5232700	16	4.22	
73-75	Corvette w/Sp. H/Per. (350)	5232720	16	4.15	
0.519 CAMSHAFT					
<i>NOTE Engine Camshaft Break-in Oil 1050004, Group 1.850, should be used when installing new camshafts.</i>					
57-66	Corvette (exc. H.L. Cam, 396, 427),				
67-75	Corvette (327, 350) (exc. H/Per., Sp. H/Per.)	3896929	1	44.30	standard (Ident. No.3896930)
57-61	Corvette w/H.L. Cam (283),				
62-63	Corvette w/F.I., Sp. H/Per.	3736097	1	44.30	special performance (Ident. No.3736098)
64-65	Corvette (Sp. H/Per., F.I. w/Mech. lifters),				
70-72	Corvette w/Sp. H/Per. (350)	3972178	1	44.30	
65-68	Corvette (Sp. H/Per. w/Hyd. lifters) (327)	3863151	1	51.00	(Ident. No. 3863152)
65-69	Corvette w/Sp. H/Per. (396, 427),				
71	Corvette w/Sp. H/Per. (454)	3863143	1	56.50	(Ident. No. 3863143)
65-66	Corvette w/H.D. (396, 427),				
67-69	Corvette w/H.D. (427)	3925535	1	77.35	chain driven
66-68	Corvette (427) (exc. Sp. H/Per. H.D.),				
69	Corvette (427) (exc. Sp. H/Per., H.D., AL. Cyl. and Case),				
70-72	Corvette (454) (exc. H.D., Sp. H/Per.)	3883986	1	56.50	
69-70	Corvette w/H/Per. (350),				
73-75	Corvette w/Sp. H/Per. (350)	3896962	1	44.30	
69-70	Corvette w/Al. Cyl. and Case (427)	3959180	1	70.20	
73-74	Corvette (454)	353040	1	49.20	
0.533 BEARING, Camshaft Thrust					
53-55	Corvette (6 cyl.)	3707916	1	1.62	w/spacing ring (flat on 2 sides)
0.539 BEARING, Camshaft (Front or No. 1)					
53-55	Corvette (6 cyl.)	3723580	1	1.81	(2 ⁹ / ₆₄ " I.D. x 2 ⁹ / ₃₂ " O.D.) (stamped GM)
55-75	Corvette (8 cyl.) (exc. 396, 427, 454)	3723584	1	2.25	precision type (stamped 1)
65-74	Corvette (396, 427, 454)	3967808	1	2.30	(stamped 1)
0.543 BEARING, Camshaft No. 2 (Front Intermediate)					
53-55	Corvette (6 cyl.)	3723581	1	1.81	(2 ⁹ / ₆₄ " I.D. x 2 ¹³ / ₆₄ " O.D.) (stamped GM 2)
55-75	Corvette (8 cyl.) (exc. 396, 427, 454)	3723585	1	2.25	precision type (stamped 2)
65-74	Corvette (396, 427, 454)	3967810	1	2.30	(stamped 2)
0.546 BEARING, Camshaft (Center and Rear Intermediate)					
53-55	Corvette (6 cyl.)	3723582	1	1.81	(2 ¹ / ₆₄ " I.D. x 2 ¹¹ / ₆₄ " O.D.) (stamped GM 3)
55-75	Corvette (8 cyl.) (exc. 396, 427, 454)	3723586 A.R.		2.25	precision type (stamped 3 and 4)
65-74	Corvette (396, 427, 454)	3967809	2	2.30	(stamped 3 and 4)

ENGINE—CLUTCH

0.549 BEARING, Camshaft Rear

53-55	Corvette (6 cyl.)	3747841	1	1.81	(1 ⁵ / ₆₄ " I.D. x 2 ⁷ / ₆₄ " O.D.)
55-63	Corvette (8 cyl.) (exc. 396)	3723587	1	2.25	precision type (stamped 5)
64-75	Corvette (327, 350)	3723585	1	2.25	precision type (stamped 2)—(0.543)
65-66	Corvette (396, 427)	3876863	1	1.92	precision type (stamped 2)
67-74	Corvette (396, 427, 454)	3967810	2	2.30	(stamped 2)—(0.543)

0.553 PLUG— SEAL, Camshaft Bearing Hole, cup type (in cylinder block)

53-55	Corvette (6 cyl.),				
57	Corvette (8 cyl.) (2nd design),				
58	Corvette,				
60-71	Corvette (exc. 396, 427, 454)	3704158	1	.20	(2 ¹ / ₈ " dia.)
65-74	Corvette (396, 427, 454) (exc. AL. Cyl. and Case)	3859926	1	.20	steel (2 ⁷ / ₃₂ " dia. x 1/4" thk.)
69	Corvette w/AL. Cyl. and Case (427)	3952319	1	.46	steel (2 ²¹ / ₃₂ " dia.)
72-75	Corvette (350)	3997752	1	.11	
69	Corvette w/AL. Cyl. and Case	3783948	1	.63	SEAL, plug

0.603 ROD ASSEMBLY, Connecting, Less Dipper

53-55	Corvette (6 cyl.)	3836669	6	10.85	insert bearing type (forged 3836410)
55-61	Corvette (265, 283)	3703525	8	11.90	insert bearing type (forged 3703527)
62-67	Corvette (283, 327)	3864881	8	12.65	
65-69	Corvette (396, 427) (exc. Sp. H/Per., H.D., AL. Cyl. and Case),				
70-74	Corvette (454) (exc. H.D., Sp. H/Per.)	3933174	8	12.25	(orange)
65-69	Corvette w/Sp. H/Per. (396, 427)	3856240	8	22.00	(ident. rib on con. rod cap) (blue)
67-68	Corvette w/H.D. (427)	3909846	8	39.25	(pink)
68-75	Corvette (327, 350) (exc. H/Per., Sp. H/Per.)	3916396	8	11.70	(Note 1)

NOTE 1 Some early 1968 (327) models used 1967 engines built to 1968 spec. Refer to Note 4 Group 0.033.

69	Corvette w/H/Per. (350),				
70-75	Corvette w/H/Per., Sp. H/Per. (350)	3973386	8	36.00	
69	Corvette w/Sp. H/Per. (350)	3946841	8	36.00	
69	Corvette w/H.D., AL. Cyl. and Case (427)	3969804	8	57.25	
71	Corvette w/Sp. H/Per. (454)	3963552	8	32.00	

0.609 BOLT, Connecting Rod Clamp

53-55	Corvette (6 cyl.)	345428	6	.17	(³ / ₈ "— 24 x 1 ³ / ₃₂ ")
-------	-------------------	--------	---	-----	---

0.616 BEARING UNIT, Connecting Rod (1 Upper and 1 Lower)

Refer to chart for Model Application

NOTE See Dealer Price Schedule (P&A 26) for applicable prices.

CONNECTING ROD BEARING UNIT CHART

MODEL USAGE	STD.	.001 U.S.	.002 U.S.	.010 U.S.	.020 U.S.	.030 U.S.
53-55 Corvette (6 cyl.)	3704856	3704857	3704858	3704859	3704860	—
55-61 Corvette (8 cyl.) (exc. Dual 4BC, F.I. w/H.L. Cam)	347118	3715041	3715046	3715048	3715047	—
56-57 Corvette,						
58-61 Corvette w/H.L. Cam (283),						
62-67 Corvette (327)	3711828 ⁽¹⁾	3715045	3715046	3715048 ⁽¹⁾	3715047 ⁽¹⁾	—
65-73 Corvette (396, 427, 454)	3876091	347003	3876093	3876094	347006	—
68-76 Corvette (327, 350)	3910555 ^(2, 3)	3910556 ^(2, 3)	3910557 ^(2, 3)	3910558 ^(2, 3)	3910559 ^(2, 3)	—
74 Corvette (454)	347002	347003	347004	3876094	347006	—

⁽¹⁾ Aluminum M-420.

⁽²⁾ Aluminum M-400.

⁽³⁾ Some early 1968 (327) models use 1967 engines, built to 1968 spec. Refer to Note 4 in Group 0.033.

0.623 BOLT, Connecting Rod Bearing Cap

53-55	Corvette (6 cyl.)	3836670	12	.55	(³ / ₈ "— 24 x 2 ¹ / ₄ ")
55-66	Corvette (8 cyl.) (exc. 396, 427),				
67-68	Corvette (exc. 396, 427)	3892670 A.R.		.64	(1 ¹ / ₃₂ "— 24 x 1 ⁷ / ₈ ")

ENGINE—CLUTCH

0.623 BOLT, Connecting Rod Bearing Cap (Con't)

65-69	Corvette (396, 427) (exc. H.D., AL. Cyl. and Case),				
70-74	Corvette (454) (exc. H.D., Sp. H/Per.)	3862720	16	.55	(³ / ₈ "— 24 x 2 ¹ / ₈ ") (knurled shank)
68-75	Corvette (327, 350)	3916399	16	.55	(³ / ₈ "— 24 x 1 ⁵⁹ / ₆₄ ")
71	Corvette w/Sp. H/Per. (454)	3981092	1	.55	

0.626 NUT, Connecting Rod Bearing Cap Bolt

55-67	Corvette (8 cyl.) (exc. Sp. H/Per., F.I., 396, 427)	3815280	16	.22	(¹ / ₁₆ "— 24) (type EA) (phosphate coated and soaped)
63-75	Corvette	3865766	A.R.	.11	(³ / ₈ "— 24 x ³ / ₈ " thick) (hex nut) (both ends flat) (Note 1)
	<i>NOTE 1 Also used with bolts not requiring cotter pins.</i>				
71	Corvette w/Sp. H/Per. (454)	3942410	16	.22	(⁷ / ₁₆ "— 20 x ⁷ / ₁₆ " thick)

ENGINE—CLUTCH

0.629 PISTON ASSEMBLY, with Pin

*NOTE Individual piston assemblies are available for warranty purposes and for replacement of pistons damaged when making repairs to engine assemblies. When ordering such parts it is necessary that you specify on your order the reason the parts are required and also that the following note appears on your order. Do not ship unit package quantity.
NOTE See Dealer Price Schedule for applicable prices.*

PISTON CHART

	STD.	.001 O.S.	.010 O.S.	.020 O.S.	.030 O.S.	.040 O.S.	.060 O.S.
53 Corvette w/P.G. (aluminum),							
53-55 Corvette (6 cyl.)	3707453	—	—	3707454	3707455	—	—
55-56 Corvette (265)	3732021	—	—	—	—	—	—
57-61 Corvette (283) (exc. F.I. w/H.L. Cam)	3860407	—	—	—	—	—	—
57-60 Corvette (F.I. w/H.L. Cam) (L.H.)	3746289	—	—	—	—	—	—
57-60 Corvette (F.I. w/H.L. Cam) (R.H.)	3746290	—	—	—	—	—	—
61 Corvette w/F.I. (L.H.)	3769731	—	—	—	—	—	—
61 Corvette w/F.I. (R.H.)	3769732	—	—	—	—	—	—
62-68 Corvette (327) (exc. Sp. H/Per., F.I.)	3799491	3799492	—	—	3799494	—	—
62-68 Corvette w/Sp. H/Per., F.I. (327)	3871208	3871210	—	—	3850139	—	—
65 Corvette w/Sp. H/Per. (396)	3878231	3875905	—	—	3875906	—	3875907
66-67 Corvette w/Sp. H/Per. (327)	3871208	3871210	—	—	3850139	—	—
66-69 Corvette (427) (L.H.) (exc. Sp. H/Per. H.D., AL. Cyl. and Case)	3888327	3888329	—	—	3888333	—	—
66-69 Corvette (427) (R.H.) (exc. Sp. H/Per., H.D., AL. Cyl. and Case)	3888328	3888330	—	3888332	3888334	—	—
66-69 Corvette w/Sp. H/Per. (427)	3888342	3888343	—	—	3888344	—	3888345
66-68 Corvette w/H.D. (427)	3909857	3909858	—	—	3909859	—	3909860
69 Corvette w/H.D. (427)	3959105	3959106	—	—	3959107	—	—
69 Corvette w/Al. Cyl. and Case (427)	3959105	3959106	—	—	—	—	—
69-70 Corvette w/H/Per. (350)	3942541	3942542	—	—	3942543	—	—
69-70 Corvette (350) (exc. H/Per., Sp. H/Per.)	3911020	3911021	—	3911022	3911023	—	—
69 Corvette w/Sp. H/Per. (350)	—	—	—	3959452	—	—	—
70 Corvette w/Sp. H/Per. (350)	3989048	3989049	—	—	3989051	—	—
70 Corvette (454) (exc. H.D.) L.H.	3976015	3976019	—	3976023	3976027	—	—
70 Corvette (454) (exc. H.D.) R.H.	3976016	3976020	—	3976024	3976028	—	—
72 Corvette (350) (exc. Sp. H/Per.)	3991488	3991489	—	—	3991491	—	—
71-73 Corvette w/Sp. H/Per. (350)	336754	3991485	—	3991486	336757	—	—
72 Corvette (454) (exc. Sp. H/Per.)	353058	3993875	—	3993876	3993877	—	—
71 Corvette w/Sp. H/Per. (454)	6262976	6262977	—	6262978	6262979	—	—
73 Corvette (454)	353058	353059	—	—	353061	—	—
73-75 Corvette (350) (exc. Sp. H/Per.)	6271097	6271098	—	—	329238	—	—
74 Corvette (454)	340206	340207	—	—	340208	—	—
74-75 Corvette w/Sp. H/Per. (350)	336754	336755	—	—	336757	—	—

ENGINE—CLUTCH

0.636 PIN, Piston

NOTE See Dealer Price Schedule (P&A 26) for applicable prices.

	STD.	.015-O.S.	.003-O.S.	.005-O.S.	.010-O.S.	Length
53-55 Corvette (6 cyl.)	5116189	—	—	—	—	3 ¹⁶ / ₆₄ 3

0.639 RETAINER, Piston Pin

67-69 Corvette w/H.D., AL. Cyl. and Case (427)	3942423	16	.58			
69 Corvette w/4-Spd., Sp. H/Per. (350)	3946848	16	.20			

0.643 RING UNIT, Piston (Service Sets)

NOTE See Dealer Price Schedule for applicable prices.

Original Equipment Type (complete set for one engine per container unless otherwise noted)

	STD.	.020 O.S.	.030 O.S.	.040 O.S.	.060 O.S.	
53-63 Corvette (235)	3899496 ⁽¹⁾	—	326350 ⁽¹⁾	—	—	1
57-58 Corvette (exc. F.I. w/H.L. Cam),						
59-61 Corvette (exc. H.L. Cam)	—	3892388 ⁽¹⁾	328503 ⁽⁶⁾	—	—	1
57-61 Corvette (F.I. w/H.L. Cam),						
59-61 Corvette (dual 4BC w/H.L. Cam)	—	—	328503 ⁽⁶⁾	—	—	1
65 Corvette w/Sp. H/Per. (396)	328521 ⁽⁶⁾	—	328526	—	3885032	1
66-69 Corvette (427) (exc. H.D., AL. Cyl. and Case),						
70-72 Corvette (454) (exc. H.D.)	328536 ⁽⁶⁾	3888309 ⁽¹⁾	328541	—	—	1
67-68 Corvette w/H.D. (427)	3993828	—	3993830	—	3993831	1
69 Corvette w/H.D., AL. Cyl. and Case (427)	3993828	—	3993830	—	—	1
73-74 Corvette (454)	328536 ⁽⁶⁾	—	328541	—	—	1
62-67 Corvette (327),						
68-75 Corvette (327, 350)	328506 ⁽⁶⁾	—	328516 ⁽⁶⁾	—	—	1

Special Replacement Type (complete set for one engine per container unless otherwise noted)

	STD.	.020 O.S.	.030 O.S.	.040 O.S.	
55-57 Corvette (265)	3724998 ^(2, 5, 9)	—	—	—	1
57-67 Corvette (283)	—	—	—	—	1
57-61 Corvette (283)	326400 ⁽⁶⁾	—	—	—	1
62-67 Corvette (327)	328506 ⁽⁶⁾	—	—	—	1
62-67 Corvette (327) (exc. Sp. H/Per.)	—	—	328516 ⁽⁶⁾	—	1

⁽¹⁾ These are Molybdenum premium rings.

⁽²⁾ This part is eligible for wholesale compensation.

⁽⁵⁾ Not to be used on 396 Sp. H/Per. engines.

⁽⁶⁾ These Ring Units contain 3/32 compression rings.

⁽⁹⁾ Individual Cylinder Replacement Unit Only.

⁽⁹⁾ Cromflex Ring Set having chrome-plated oil rings, top compression ring, and chrome-plated rail for middle compression ring.

0.646 CRANKSHAFT

53 Corvette w/P.G.,					
54-55 Corvette (6 cyl.)	3701486	1	108.65	(Ident. No. 3701488) (Note 1)	
57-61 Corvette (8 cyl.)	3889303	1	135.50	(Note 1)	
62-67 Corvette (327) (exc. Sp. H/Per., F.I.)	3889304	1	135.50	(Ident. No. 3782680) (Note 1)	
62-67 Corvette w/Sp. H/Per., F.I. (327)	3838495	1	165.00	(Ident. No. 2680)	
65 Corvette (396)	3882841	1	177.00	(Note 1)	
66-69 Corvette w/Sp. H/Per. (427)	3882842	1	185.00		
66-68 Corvette (427) (exc. Sp. H/Per., H.D.),					
69 Corvette (427) (exc. Sp. H/Per., H.D., AL. Cyl. and Case)	3882849	1	154.00	(Note 1)	

ENGINE—CLUTCH

0.646 CRANKSHAFT (Con't)

67	Corvette w/H.D. (427)	3879621	1	185.00	
68-69	Corvette w/H.D. (427)	3967811	1	185.00	(Note 1)
68	Corvette (327) (exc. Sp. H/Per.) .	3930809	1	135.50	(Note 1, 2)
<i>NOTE 2 Some early 1968 (327) models use 1967 engines, built to 1968 spec. Refer to Note 2 in Group 0.033.</i>					
68	Corvette w/Sp. H/Per. (327) ...	3914681	1	165.00	
69-75	Corvette (350) (exc. H/Per., Sp. H/Per.)	3932444	1	135.50	(Note 1)
69-75	Corvette w/H/Per., Sp. H/Per. (350)	3941184	1	213.00	(Note 1, 3)
70	Corvette (454) (exc. H.D., A.T.) ..	3975945	1	154.00	
70	Corvette w/A.T. (454)	3967463	1	177.00	(Note 1)
71-72	Corvette w/H/Per. (454)	3993878	1	213.00	
71	Corvette w/Sp. H/Per. (454) ...	3963523	1	230.00	
73-74	Corvette (454)	3967414	1	177.00	

NOTE 1 When used on A.T. it will be necessary to remove the pilot bearing.

NOTE 3 Must be used with Piston and Pin Assy., 3942541 or 3942542 or 3942543.

0.649 BEARING, Crankshaft Clutch Pilot

53-75	Corvette	3752487	1	1.09	(bush type— ¹⁹ / ₃₂ " I.D. ¹³ / ₃₂ " O.D. x ³ / ₄ ")
-------	----------------	---------	---	------	--

0.659 BALANCER— PULLEY, Crankshaft

NOTE In some cases double groove pulleys may be used in place of single groove pulleys.

53-55	Corvette (6 cyl.)	3704338	1	26.50	(weight ⁷ / ₄ " O.D.— pulley "V" ³ / ₈ ") (Note 1)
-------	-------------------------	---------	---	-------	--

NOTE 1 Assemblies are solidly bolted for driving balancer onto crankshaft when special driving tool is not available. Bolts must be removed after balancer is assembled to engine.

57-61	Corvette,				
62-65	Corvette (forged crankshaft w/8 cyl.) (exc. Sp. H/Per., F.I., 396)	3896904	1	24.50	
62-68	Corvette w/F.I., Sp. H/Per. (327)	3817173	1	41.35	w/o pulley (hub 8" O.D.) (Note 2)
<i>NOTE 2 When using this part use 3883206 key.</i>					
65-69	Corvette (396, 427) (exc. Sp. H/Per., H.D., AL. Cyl. and Case)	3860008	1	41.35	
65-69	Corvette w/Sp. H/Per. (396, 427)	3860010	1	41.35	w/o pulley (8 O.D.)
66	Corvette (4BC w/forged crankshaft) (283, 327) (exc. Sp. H/Per.),				
67	Corvette (327) (exc. Sp. H/Per.) .	3896903	1	24.50	w/o pulley
67-69	Corvette w/H.D., AL. Cyl. and Case (427)	3879623	1	37.50	
68	Corvette (327) (exc. Sp. H/Per.) .	3914684	1	24.50	
69-75	Corvette w/H/Per., Sp. H/Per. (350)	6272224	1	41.35	
69-71	Corvette (350) (exc. H/Per., Sp. H/Per.)	6272222	1	24.50	
70	Corvette (454) (exc. H.D.),				
71-72	Corvette w/H/Per. (454)	3963529	1	41.35	
71	Corvette w/Sp. H/Per. (454) ...	3963530	1	41.35	
72-75	Corvette (350) (exc. Sp. H/Per.) .	6272221	1	24.50	
73-74	Corvette (454)	330849	1	24.50	
55-57	Corvette (8 cyl.) (exc. C.A.C., dual 4BC, F.I.),				
66-67	Corvette (327) (exc. C.A.C., Sp. H/Per., A.I.R.)	3755820	1	6.05	PULLEY (stamped 3755820)
56-57	Corvette w/F.I., dual 4BC,				
58	Corvette	3742991	1	5.25	PULLEY (stamped 3742991)
63-66	Corvette (exc. H/Per., Sp. H/Per., F.I., C.A.C.),				
68	Corvette (1st design) (exc. C.A.C., H/Per., Sp. H/Per.)	3744043	1	4.95	PULLEY (double-6 ⁵ / ₈ " O.D.— painted black) (stamped 3744043)
63-65	Corvette w/P/S (exc. Sp. H/Per.),				
66	Corvette w/P/S (H/Per.), Sp. H/Per.) (327, 427),				
67	Corvette w/P/S (427) Sp. H/Per. (327) (exc. H/Per.),				
67-68	Corvette w/P/S (327) (Sp. H/Per.) w/C.A.C.,				
69-71	Corvette w/P/S (350 H/Per. w/C.A.C.),				
70-71	Corvette (350) (exc. H/Per., Sp. H/Per.),				
72-74	Corvette (P/S w/C.A.C.) (350) ..	3751232	1	5.25	PULLEY, front (stamped 3751232)
58-61	Corvette,				

ENGINE—CLUTCH

0.659 BALANCER— PULLEY, Crankshaft (Con't)					
62	Corvette (exc. Sp. H/Per., F.I.)	3756328	1	5.25	PULLEY (stamped 3756328)
62-65	Corvette w/Sp. H/Per., F.I. (exc. 396),				
66-68	Corvette w/Sp. H/Per. (327) (exc. P/S),				
69-73	Corvette w/H/Per., Sp. H/Per. (350) (exc. C.A.C., H.D. 4-Spd.),				
74-76	Corvette (350) (exc. C.A.C.)	3858533	1	4.95	PULLEY (double-6 ³ / ₄ " O.D.) (stamped 3766987)
65-66	Corvette w/Air Cond. (Sp. H/Per. w/P/S) (327)	3827843	1	5.01	PULLEY
64-66	Corvette (exc. Sp. H/Per., F.I., 427),				
66-68	Corvette (P/S w/C.A.C.) (327 Sp. H/Per.),				
67-68	Corvette w/C.A.C. (327) (1st design) (exc. Sp. H/Per.),				
68	Corvette (2nd design) (exc. C.A.C., H/Per., Sp. H/Per.),				
69-70	Corvette (350) (exc. P/S, C.A.C., H/Per., Sp. H/Per.)	3850838	1	5.25	PULLEY (7 ²¹ / ₆₄ " O.D.)
65-66	Corvette w/C.A.C. (396, 427),				
67	Corvette w/C.A.C. (427) (exc. 3 x 2 H/Per.),				
69	Corvette w/H.D. (427) (2nd design),				
71	Corvette w/Sp. H/Per. (454)	3863108	1	19.50	PULLEY (2 grooves) (cast)
68-69	Corvette w/C.A.C. (2nd design) (exc. 427),				
70-74	Corvette w/C.A.C. (350) (exc. H.D. 4-Spd.)	3911013	1	5.25	PULLEY, crankshaft (7 ⁴⁷ / ₆₄ " O.D.)
68-69	Corvette w/Sp. H/Per., H.D. (427) (1st design),				
68-69	Corvette w/H/Per. (427) (exc. 3 x 2),				
70-73	Corvette (454) (exc. H.D., Sp. H/Per.),				
74	Corvette (454) (exc. C.A.C.)	3921923	1	5.25	PULLEY (2 groove)
70-72	Corvette (H.D. 4-Spd. w/Sp. H/Per.) (350)	3929697	1	19.50	PULLEY (2 groove) (stamped 3929697)
74	Corvette w/CAC (454)	338098	1	7.85	PULLEY, crankshaft
75-76	Corvette w/C.A.C. (exc. P/S)	346300	1	5.40	PULLEY, crankshaft
75-76	Corvette w/P/S	346290	1	6.50	PULLEY, crankshaft front
0.662 BOLT— SPACER— WASHER, Harmonic Balancer and Crankshaft Pulley					
62-68	Corvette w/Sp. H/Per., F.I. (327)	3815933	1	.58	(⁷ / ₁₆ "— 20 x 2 ¹ / ₄ ")
56	Corvette w/dual 4BC,				
57-62	Corvette	3734984	1	.20	SPACER, balancer (1 ³ / ₄ " O.D. x 1 ¹ / ₄ " I.D.)
62-68	Corvette w/Sp. H/Per., F.I. (327)				
69	Corvette w/H/Per., Sp. H/Per. (350),				
70-76	Corvette (350)	3739422	1	.43	WASHER, balancer
65-74	Corvette (396, 427, 454) (exc. Alum. Cyl. and Case)	3864814	1	.58	WASHER, balancer
69-70	Corvette w/Alum. Cyl. and Case	3975990	1	.64	WASHER, balancer
0.666 FLYWHEEL, with Ring Gear					
55-62	Corvette (8 cyl.) (2nd design) (exc. P.G.)	3986390	1	54.50	w/10" coil and diaphragm spring clutch (11 ⁵ / ₈ " bolt circle) (cast 3729004)
55	Corvette (8 cyl.) (1st design) (exc. P.G.),				
66-69	Corvette (396, 427) (exc. A.T.),				
69	Corvette (350) (exc. Sp. H/Per., A.T.),				
70	Corvette (exc. A.T., H.D., 4-Spd., Sp. H/Per.),				
71-76	Corvette (350) (exc. A.T.)	3998281	1	62.75	
55-61	Corvette w/P.G. (8 cyl.)	3781966	1	28.50	(2 ¹⁵ / ₃₂ " ctr. hole) (Note 1, 2)
<i>NOTE 1 This part is also used as a replacement part with (T.G.) conversion unit 3832566.</i>					
<i>NOTE 2 It is necessary to use shorter (⁴/₆₄" O.L.) mounting bolt 3727207 with this flywheel assy.</i>					
62	Corvette w/P.G. (327),				
63-68	Corvette w/P.G. (exc. 396, 427)	3789821	1	24.75	spoke type (6-2" dia. holes around ctr.)
63-68	Corvette (283, 327) (exc. A.T., H.D. Clutch)	3973452	1	54.50	solid type (cast 3791021)

ENGINE—CLUTCH

0.666 FLYWHEEL, with Ring Gear (Con't)

68	Corvette w/T.H. (2nd design),				
68	Corvette w/T.H. (1st design),				
69	Corvette w/T.H., Sp. H/Per., H.D. (427),				
69	Corvette w/T.H. 400 (exc. Sp. H/Per., H.D.),				
71-72	Corvette w/A.T. (350),				
70	Corvette w/A.T. (350) (exc. H/Per., Sp. H/Per.),				
73-74	Corvette w/A.T. (350) (exc. Sp. H/Per.),				
73-75	Corvette T.H. (w/Sp. H/Per.) (350)	336763	1	29.50	
66	Corvette w/P.G. (427)	3868806	1	28.50	(2 ¹⁵ / ₃₂ " ctr. hole)
65	Corvette w/Sp. H/Per. (396),				
67-69	Corvette w/H.D., AL. Cyl. and Case (427),				
70	Corvette (H.D. 4-Spd. w/Sp. H/Per.) (350),				
71-72	Corvette w/H.D. 4-Spd. (350) ...	3991406	1	64.50	
70	Corvette w/Sp. H/Per. (350) (exc. 4-Spd.)	3973453	1		
67	Corvette w/P.G. (427)	3899668	1	28.50	(2 ¹ / ₆₄ " ctr. hole)
69	Corvette w/dual plate clutch (427)	3955151	1	99.75	
70-74	Corvette w/H/Per. (454) (exc. A.T.)	3993827	1	54.50	
70-74	Corvette (A.T. w/H/Per.) (454) ...	3992069	1	36.85	
71	Corvette w/Sp. H/Per. (454) (exc. A.T.)	3992094	1	64.50	(used w/dual plate clutch)
71	Corvette (A.T. w/Sp. H/Per.) (454)	336717	1	36.85	
75	Corvette w/A.T. (350) (exc. Sp. H/Per.)	3991403	1	24.75	
76	Corvette w/A.T. (350) (exc. H/Per.)	340296	1	21.95	

0.669 BOLT— DOWEL, Flywheel to Crankshaft

53-76	Corvette (exc. A.T.)	839756	6	.11	(7/ ₁₆ "— 20 x 1)
55-60	Corvette w/P.G., H.T. (8 cyl.) ...	3701686	6	.15	(7/ ₁₆ "— 20 x ²⁷ / ₃₂ "— 290M steel)
61-76	Corvette w/A.T.	3727207	6	.19	(7/ ₁₆ "— 20 x ⁴⁵ / ₆₄ "— 290M steel)
53-62	Corvette (6 cyl.),				
66-68	Corvette w/C.A.C. (427) (exc. Sp. H/Per.)	606535	3	.17	DOWEL (3/ ₈ " dia. x ²¹ / ₃₂ " long) compressor support
55-61	Corvette (8 cyl.),				
70-74	Corvette (454)	3701679	1	.15	DOWEL, flywheel (7/ ₁₆ " dia. x 7/ ₈ " long)

0.673 RING GEAR, Flywheel

66-69	Corvette (427) (exc. H.D.),				
68	Corvette w/T.H. 400 (327),				
69-74	Corvette (350) (exc. 4-Spd.),				
71-74	Corvette (454),				
75	Corvette (350)	3991408	1	5.90	

0.679 UNDERPAN— BOLT— COVER— EXTENSION— SCREW ASSY., Flywheel

55-62	Corvette (8 cyl.) (exc. A.T.)	3704923	1	3.41	clutch (15 ¹ / ₂ " O.L.) (Note 1)
62-67	Corvette w/P.G.	3789959	1	3.65	transmission (17 ⁵¹ / ₆₄ " O.L.)
67	Corvette w/H/Per. (427) (exc. 3 x 2)	3831527	1	7.90	transmission converter (Note 2)

NOTE 2 This part is also used as a replacement part with Rebuilt trans. assy. 3832565 (P.G.) and (T.G.) conversion unit 3832566.

68-69	Corvette w/T.H. 400	3888810	1	3.26	trans. converter
70-74	Corvette w/T.H. 400	3952661	1	4.47	trans. converter
75-76	Corvette w/A.T. (350)	344249	1	4.18	trans. converter
53-55	Corvette (6 cyl.),				
53-75	Corvette (8 cyl.)	3817006 A.R.		.11	BOLT, w/washer (1/ ₄ "— 20 x 7/ ₁₆ ")
63-66	Corvette (283, 327),				
65-66	Corvette w/Sp. H/Per. (396, 427),				
67-69	Corvette w/H.D., AL. Cyl. and Case (427),				
70-72	Corvette w/H.D. 4-Spd. (350) ...	3788422	1	2.44	COVER, clutch housing
66-69	Corvette (350, 427) (exc. A.T., H.D., AL. Cyl. and Case),				

ENGINE—CLUTCH

**0.679 UNDERPAN— BOLT— COVER— EXTENSION— SCREW ASSY., Flywheel
(Con't)**

70-73	Corvette (350) (exc. A.T., H.D. 4-Spd.)					
70-74	Corvette (454) (exc. A.T., H.D.)	3843943	1	2.80	COVER , clutch housing (contains large 27/8" dia. round hole)	
75	Corvette (350) (exc. A.T.)	340252	1	2.44	COVER , clutch housing	
55-62	Corvette (8 cyl.)	3734908	1	1.61	EXTENSION , clutch housing flywheel w/two indented throughs on surface (Note 1)	
62-68	Corvette w/P.G. <i>NOTE 1 Trim excess metal to fit as necessary.</i>	3924780	A.R.	.15	SCREW ASSY. , w/washer (5/16"— 18 x 7/8")	

0.683 HOUSING, Flywheel and Clutch

55-59	Corvette	3755343	1	37.50	clutch (Ident. No. 3733365)	
60-62	Corvette	3785644	1	60.60	HOUSING ASSY. , clutch (aluminum) (Ident. No. 3779553)	
63	Corvette	3788419	1	29.00	HOUSING ASSY. , clutch (Ident. No. 3788421)	
64-68	Corvette (327, 396),					
66	Corvette w/Sp. H/Per. (427),					
67-69	Corvette w/H.D., AL. Cyl. and Case (427)	3858403	1	28.05	HOUSING ASSY. , clutch (Ident. No. 3840383)	
66-75	Corvette (350, 427, 454)	3899621	1	34.55	HOUSING ASSY. , clutch	

0.685 DOWEL, Flywheel and Clutch Housing to Cylinder Block

53-62	Corvette (6 cyl.)	3696828	2	.11	(27/64" x 7/8")	
70-75	Corvette	3712745	2	.46	(21/32" x 1 1/4")	

0.724 CHAIN, Camshaft Timing

55-66	Corvette (8 cyl.) (exc. 396, 427)	3704150	1	10.30	early link type	
65-66	Corvette (396, 427),					
67-69	Corvette w/Sp. H/Per., H.D., AL. Cyl. and Case (427),					
71	Corvette w/Sp. H/Per. (454)	3860036	1	10.30	link type	
67-75	Corvette (327, 350)	346261	1	10.30	early link type	
67-69	Corvette (396, 427) (exc. Sp. H/Per., H.D., AL. Cyl. and Case),					
70-74	Corvette (454) (exc. H.D., Sp. H/Per.)	3902428	1	10.30	link type	

0.728 SPROCKET, Crankshaft Timing (Steel)

55-66	Corvette (8 cyl.) (exc. 396, 427)	3759980	1	4.39	SPROCKET (18 teeth 27/8" O.D.) (early link type)	
65-66	Corvette (396, 427),					
67-69	Corvette w/Sp. H/Per., H.D., AL. Cyl. and Case (396, 427),					
71	Corvette w/Sp. H/Per. (454)	3860035	1	5.45	SPROCKET (19 teeth— 3 1/32" O.D.)	
67-75	Corvette (327, 350)	3896959	1	4.39	SPROCKET (18 teeth— 27/8" O.D.) (early link type)	
67-69	Corvette (396, 427) (exc. Sp. H/Per., H.D., AL. Cyl. and Case),					
70	Corvette (454) (exc. H.D.),					
71-74	Corvette w/H/Per. (454)	3902422	1	4.39	SPROCKET (19 teeth) (3 1/2" O.D.)	

0.736 GEAR— SPROCKET, Camshaft Timing

53-55	Corvette (6 cyl.)	3835473	1	12.10	aluminum (cast 3835473)	
55-66	Corvette (8 cyl.) (exc. 396, 427)	3865964	1	6.95	SPROCKET (cast 3704214-36 teeth) (iron) (early link type)	
65-66	Corvette (396, 427),					
67-69	Corvette w/Sp. H/Per., H.D., AL. Cyl. and Case (427),					
71	Corvette w/Sp. H/Per. (454)	330815	1	7.55	SPROCKET (nylon) (38 teeth)	
67-75	Corvette (327, 350)	340235	1	7.75	SPROCKET (36 teeth)	
67-69	Corvette (427) (exc. Sp. H/Per., H.D., AL. Cyl. and Case),					
70	Corvette (454) (exc. H.D.),					
71-72	Corvette w/H/Per. (454),					
73-74	Corvette (454)	330814	1	6.70	SPROCKET (38 teeth)	

0.738 BOLT— LOCK— PIN, Camshaft Sprocket

55-62	Corvette (8 cyl.)	9408991	3	.11	self locking (5/16"— 18 x 3/4" type A-A)— (8.900)	
--------------	-------------------	----------------	---	-----	---	--

ENGINE—CLUTCH

0.738 BOLT— LOCK— PIN, Camshaft Sprocket (Con't)

69	Corvette w/AL. Cyl. and Case (427)	3952320	1	.35	LOCK, rear bearing plug
55-75	Corvette (8 cyl.)	3836903	1	.10	PIN, dowel (1/4" x 5/8") (solid)

0.787 ROD— SWIVEL, Clutch Fork Release

55	Corvette (8 cyl.)	3726573	1	.98	fork release (7 O.L.)
57-62	Corvette	3739045	1	1.10	fork push (9 ¹³ / ₁₆ " O.L.)
64-66	Corvette (exc. 396, 427)	3844209	1	1.45	fork push (10 ⁹ / ₁₆ " O.L.)
65-66	Corvette (396, 427),				
67-76	Corvette	3872960	1	1.80	fork push (8 ³⁷ / ₆₄ " O.L.)
57-62	Corvette	3764588	1	.36	SWIVEL, fork push rod (1 ¹ / ₄ " O.L.) (3/8"— 32 thds.) (Note 1)

NOTE 1 When using 3764588 it will be necessary to use 3749084 clip.

63-76	Corvette	3813225	1	.90	SWIVEL, pedal push rod (1 ⁹ / ₃₂ " O.L. w/ ²⁵ / ₆₄ " dia. hole), clutch fork push rod
-------	----------------	---------	---	-----	--

0.793 NUT— PIN— WASHER, Clutch Fork Push Rod

55-56	Corvette	3726572	1	1.28	adj. (3/8"— 16 x 3 ¹³ / ₁₆ " lg.-hex.)
64-76	Corvette	3738054	1	.15	PIN, push rod to fork (1 ¹ / ₂ " O.L.)
58-62	Corvette	3834580	1	.15	WASHER (1 ¹ / ₃₂ " (1 ¹ / ₁₆ " O.D. x 3/16" thk.)— (4.881)

0.795 FORK ASSY., Clutch Release

55-62	Corvette	3739043	1	7.20	(stamped type) (Note 1)
-------	----------------	---------	---	------	-------------------------------

NOTE 1 When using on 1955-56 models it is necessary to use 3739045 Push Rod (0.787), 3764588 Swivel (0.787), 3738054 Pin (0.787), Cotter Pin and Spring.

63	Corvette	3820008	1	7.65	
64-75	Corvette	3887177	1	7.20	

0.796 STUD— SPRING, Clutch Fork

55-65	Corvette	3729000	1	.95	(1 ² / ₁₆ "— 16 stud w/ ²¹ / ₃₂ " dia. ball)
66-75	Corvette	3887159	1	.78	
57-65	Corvette,				
66	Corvette w/Sp. H/Per. (427) ...	3737456	1	.26	SPRING, retaining (4 ¹ / ₁₆ " dev. length)

0.797 BOOT, Clutch Fork

63-76	Corvette	3993851	1	.70	
-------	----------------	---------	---	-----	--

0.799 BEARING, Clutch throwout with Collar

55	Corvette (8 cyl.) (1st design) ...	908092	1	14.74	ball bearing type (1 ⁷ / ₈ " long)
55-63	Corvette (8 cyl.) (2nd design) ...	908120	1	11.52	ball bearing type (1 ¹ / ₄ " long)
64-76	Corvette	908093	1	12.58	(1 ⁷ / ₃₂ " O.L.)

0.829 BUMPER— BRACKET— PLATE— PLUG— RETAINER— SEAL, Clutch (For COVERS See Group 4.630)

55-73	Corvette	340688	1	.19	clutch pedal
75-76	Corvette exc. Power Brake	1380966	1	.13	clutch pedal
55-62	Corvette	3709581	1	.39	BRACKET, bumper
59-62	Corvette	3757619	1	1.23	BRACKET, pedal push rod
63-67	Corvette	3877244	1	.15	PLATE, pedal push rod seal anchor (Note 1)

NOTE 1 When using 3857543 seal in place of 3819156 seal up to 1965, it will be necessary to replace 3825188 anchor plate with 3877244 plate.

For attachment, use 3877244 plate as template and drill necessary mounting holes.

63-66	Corvette	4751839	1	.11	PLUG, pedal push rod hole (in dash panel)— (10.587)
63-65	Corvette	3792551	1	.19	RETAINER, pedal push rod dash seal
63-67	Corvette	3857543	1	.60	SEAL, pedal push rod (Note 2)

NOTE 2 When using in place of 3819156 seal up to 1965, it will be necessary to replace 3825188 anchor plate with 3877244 plate.

For attachment use 3877244 plate as template and drill necessary mounting holes.

68-76	Corvette	3915689	1	.99	SEAL, pedal push rod dash
-------	----------------	---------	---	-----	---------------------------------

0.830 PEDAL, Clutch

59-62	Corvette	3757615	1	7.45	
63-66	Corvette	3832855	1	7.40	
67	Corvette	3904880	1	9.80	
68-76	Corvette	3960621	1	6.65	

0.831 BUSHING, Clutch Pedal (see group 4.626 for brake pedal bushing)

55	Corvette (8 cyl.)				
63-75	Corvette	1247439	2	.10	(5/8" dia. pedal shaft)— (4.626)

0.837 RETAINER— SPRING, Clutch and Brake Pedal Shaft— (Also see groups 4.634 and 4.648)

63-73	Corvette	3828428	1	.20	shaft— (4.634)
-------	----------------	---------	---	-----	----------------------

ENGINE—CLUTCH

0.837		RETAINER— SPRING, Clutch and Brake Pedal Shaft— (Also see groups 4.634 and 4.648) (Con't)			
55-56	Corvette (8 cyl.)	371704 A.R.	.10	SPRING, clutch pedal and fork push rod, push rod anti-rattle— (4.037)	
0.841		BOLT, Clutch Pedal Adjusting			
55-62	Corvette	3716807	1	.26	push rod (1/4"— 20 x 1 3/8"— 260M steel)
0.844		SPRING— RETAINER, Clutch Pedal Pull Back			
55-62	Corvette	3744159	1	1.48	(9 1/8" free length— 18 coils)
57-62	Corvette,				
64-75	Corvette	3784619	1	.15	retaining (3 in. free length)
63	Corvette	3813227	1	.20	retaining (8 13/32" free length— 20 coils) push rod
63-67	Corvette	3813226	1	.52	pedal return (6 7/64" free length— 32 coils)
68-76	Corvette	3921656	1	.26	pedal return
55-62	Corvette	3736895	1	4.40	SPRING UNIT, w/lever (Note 1)
NOTE 1 Includes (1) lever assy., (1) spring and (1) plate.					
63-66	Corvette	3832859	1	.17	RETAINER, return spring
0.846		BRACKET— PLATE— SPRING UNIT, Clutch Pedal Pull Back Spring			
55-62	Corvette	3723786	1	.84	(2 1/4" long x 1 5/32" wide)
55-62	Corvette	3720152 A.R.		.20	front and rear (3/16" dia. wire)
55-62	Corvette	3764732	1		PLATE (with 35/64" and 17/64" holes)
55-62	Corvette	3736895	1	4.40	SPRING UNIT, w/lever— (0.844)
0.851		BUSHING— SEAT— SPRING— STUD— WASHER, Clutch Pedal Intermediate Lever Shaft Ball			
55-62	Corvette	3716811	1	.74	(3/8" I.D. x 7/8" O.D.)
63-76	Corvette	3743349 A.R.		.17	SEAT, stud (7/8" dia.)
63-76	Corvette	3750696	1	.12	SPRING, frame stud seat, retaining (1" O.D.)
63-72	Corvette	3866568	1	1.05	STUD, to engine
63-71	Corvette	3898610	1	.75	STUD, to frame (3/8"— 24 x 1 13/16" O.L.)
72-76	Corvette	3935289	1	1.10	STUD, to frame
73-76	Corvette	3752863	1	1.80	STUD, to engine
63-76	Corvette	3743360	1	.17	WASHER, stud dust seal, L.H. to frame (felt 9/16" x 9/32" x 1 3/8" O.D.)
63-64	Corvette,				
74-75	Corvette	3743355	1	.12	WASHER, stud dust seat, to engine (felt— 1/2" I.D. x 1 O.D.)
63-76	Corvette	3756326	1	.12	WASHER, stud to frame (91/64" x 9/16")
0.852		LEVER— BRACKET— SHAFT, Clutch Pedal, Intermediate (See Group 4.648 for brake)			
63-66	Corvette (exc. 396, 427)	3832857	1	13.85	w/shaft
65-66	Corvette (396, 327)	3872962	1	13.55	w/shaft
67-76	Corvette	3888279	1	13.20	w/shaft
55-62	Corvette	3723603	1	3.95	BRACKET, engine
55-62	Corvette	3723607	1	3.95	BRACKET, shaft frame
63-75	Corvette	3814217	1	1.30	BRACKET, shaft frame
63-66	Corvette (exc. 396, 427)	3819152	1	2.95	BRACKET, push rod pedal lever
65-66	Corvette (396, 427)	3872963	1	2.75	BRACKET, push rod pedal lever
55-62	Corvette	3732881	1	19.75	SHAFT, w/lever (shaft 8 7/8" O.L.)
0.854		ROD, Clutch Pedal			
55-58	Corvette	3723597	1	2.70	pedal push (18 O.L.)
59-62	Corvette	3757618	1	2.00	pedal push
63-65	Corvette (exc. 396),				
66-67	Corvette	3888213	1	1.80	pedal push
68-76	Corvette	3921654	1	1.95	pedal push
0.859		PLATE ASSY.— CLUTCH ASSY., Clutch Pressure with Cover			
55	Corvette	3999253	1	54.25	(diaphragm type) (11") (cast 3748721)
56	Corvette	3729002	1	54.00	(coil spring type) (1402 stamped on cover) (10 1/2" clutch)
57-62	Corvette	3816144	1	54.75	(coil spring type) (1589 stamped on cover)
63-64	Corvette,				
65-67	Corvette (327, 396)	3841673	1	56.75	(diaphragm spring type) (cast 3793480) (10 1/2")
66-69	Corvette (350, 427) (exc. H.D., Sp. H/Per., AL. Cyl. and Case),				
66-69	Corvette w/Sp. H/Per. (427) (exc. H.D. Clutch),				
70-74	Corvette (454) (exc. H.D., Sp. H/Per.),				
70-75	Corvette (350) (exc. H.D. 4-Spd.)	3884598	1	63.50	(11" O.D.) (bent finger) (Belleville spring)

ENGINE—CLUTCH

0.859 PLATE ASSY.— CLUTCH ASSY., Clutch Pressure with Cover (Con't)

67-69	Corvette w/H.D., AL. Cyl. and Case (427),				
70-72	Corvette w/H.D. 4-Spd. (350) . . .	6273958	1	91.50	(10.4" O.D.) (single plate design) (Note 1) . . .
	<i>NOTE 1 Component parts not serviceable.</i>				
69	Corvette w/H.D. Clutch, Sp. H/Per. (427),				
71	Corvette w/Sp. H/Per. (454) . . .	231254	1	89.75	CLUTCH ASSY. (10.5" O.D.) (dual plate design) (Note 2)
	<i>NOTE 2: This Assy. consists of a cover, dual pressure plate assy. (rear driven plate assy. not included).</i>				

0.861 COVER, Clutch

63-65	Corvette (327),				
66-68	Corvette (327) (exc. Sp. H/Per.) .	3793478	1	22.00	diaphragm spring type (12 ³¹ / ₆₄ " O.D.)
65	Corvette (396),				
66-68	Corvette w/Sp. H/Per. (327) . . .	3841675	1	19.45	diaphragm spring type (12 ³¹ / ₆₄ " O.D.)
66-68	Corvette (427) (exc. Sp. H/Per.),				
69	Corvette (396, 427) (exc. H.D. Clutch, Sp. H/Per., H.D., AL. Cyl. and Case),				
69-75	Corvette (350),				
70	Corvette (454) (exc. H.D.),				
71-73	Corvette w/H/Per. (454)	3860361	1	19.60	diaphragm spring type (11" O.D.)
66-67	Corvette w/Sp. H/Per. (427),				
69	Corvette w/Sp. H/Per. (427) (exc. H.D. Clutch)	3884626	1	17.40	

0.862 BOLT, Clutch Cover and Pressure Plate

53-69	Corvette,				
73	Corvette	838653	A.R.	.11	(⁵ / ₈ "— 16 x 1)
54-72	Corvette	3962058	A.R.	.20	retrac. spring (⁵ / ₁₆ "— 18 x ²⁹ / ₃₂ " hex.)— (0.864)

0.863 PLATE, Clutch Pressure

63-68	Corvette (327),				
65	Corvette (396)	3793480	1	31.25	(cast 3703480) (10 ¹ / ₂ ")
66-68	Corvette (427) (exc. H.D.),				
69-70	Corvette (350),				
69-70	Corvette (396, 427, 454) (exc. H.D., Al. Cyl. and Case, H.D. Clutch),				
71-73	Corvette w/H/Per. (454),				
71-75	Corvette (350) (exc. H.D. 4-Spd.)	3884630	1	29.75	(cast 3860363)
69-70	Corvette w/H.D. Clutch (427, 454)	3955148	1	58.25	(Note 1)
	<i>NOTE 1 Used only with dual plate design.</i>				

0.864 BOLT— SPRING, Clutch Pressure Plate

55	Corvette (8 cyl.),				
64-72	Corvette	3962058	A.R.	.20	retrac. spring (⁵ / ₁₆ "— 18 x ²⁹ / ₃₂ " hex.)
69-70	Corvette w/H.D. Clutch (427, 454)	3955150	3	.20	front plate to drive straps (⁵ / ₁₆ "— 24 x ³ / ₄ ")
62-75	Corvette	3788605	3	.12	SPRING , retracting (1 ⁹ / ₃₂ " dia. at wide end w/ ⁵ / ₁₆ " ctr. hole) (Note 1)
	<i>NOTE 1 Replace only in sets of three.</i>				

0.865 SPRING, Clutch Pressure

57-61	Corvette	3837099	A.R.	.65	(painted red, 312 lbs.)
55-61	Corvette (8 cyl.)	3837087	A.R.	.59	painted orange

0.873 BOLT ASSY.— NUT, Clutch Release Lever

55-62	Corvette (8 cyl.)	3981870	3	1.23	w/nut, lever adj. eye
55-62	Corvette (8 cyl.)	418252	3	.35	NUT , release lever adj. (1 ¹ / ₁₆ " hex. ⁹ / ₈ "-24 thd.)

0.874 LEVER, Clutch Release

55-56	Corvette	3736502	3	1.25	(⁷ / ₈ " x 3 ⁵ / ₈ " x 1 ¹ / ₂ ")
-------	--------------------	----------------	---	------	--

0.875 PIN— STRUT, Clutch Release Lever

55-62	Corvette (8 cyl.)	328571	3	.11	(1 ³ / ₁₆ " long x ⁵ / ₁₆ " O.D.)
55-62	Corvette (8 cyl.)	3837095	3	.17	STRUT (¹ / ₈ " x ⁵ / ₈ " x 1 ¹ / ₂ ")

0.878 SPRING, Clutch Pressure Lever Retainer

55-62	Corvette (8 cyl.)	403051	3	.35	anti-rattle (painted blue)
-------	-----------------------------	---------------	---	-----	--------------------------------------

ENGINE—CLUTCH

0.886		DISC— PLATE ASSY., with Facing, Clutch				
55	Corvette	6259177	1	42.25	(11") steel backed facing (hub painted white)	
57-62	Corvette	3889346	1	36.65	woven (10") (lavender paint on oil slinger)	
56	Corvette,					
63-68	Corvette	3927128	1	36.65	woven (10 ¹³ / ₃₂ ")	
66-68	Corvette (427) (exc. H.D.),					
69-70	Corvette (427, 454) (exc. H.D., H.D. Clutch),					
69-70	Corvette (350) (exc. Sp. H/Per.),					
70	Corvette w/Sp. H/Per. (350) (exc. H.D. 4-Spd.)	3908960	1	36.65	woven (11")	
67-69	Corvette w/H.D., AL. Cyl. and Case (427),					
70-71	Corvette (H.D. 4-Spd. w/Sp. H/Per.) (350)	3886059	1	89.00	PLATE ASSY., driven 10.4") (10 tooth spline) (single plate design)	
69	Corvette (H.D. Clutch w/Sp. H/Per.) (427)	3959176	2	54.60	PLATE ASSY., driven (10" O.D.) (10 tooth spline) (dual plate design) (Note 1)	
71	Corvette w/Sp. H/Per. (454)	3993815	2	50.25	PLATE ASSY., driven (10" O.D.) (26 tooth spline) (dual plate design) (Note 1)	
71-72	Corvette w/Sp. H/Per. (350) (exc. H.D. 4-Spd.)	3989030	1	38.50	PLATE ASSY., driven (11" O.D.) (26 tooth spline) (black paint mark)	
71-72	Corvette (H.D. 4-Spd. w/Sp. H/Per.) (350)	3991428	1	62.75	PLATE ASSY., driven (10.4" O.D.) (26 tooth spline)	
71-72	Corvette (350) (exc. Sp. H/Per., H.D. 4-Spd.),					
71-72	Corvette w/H/Per. (454),					
73-75	Corvette	336720	1	38.50	PLATE ASSY.	

NOTE 1: One required front driven, one required rear driven.

GROUP 1.000
COOLANT — GRILLE
OIL SYSTEMS

COOLANT—GRILLE—OIL SYSTEM

1.050 CLUTCH ASSY.—STUD, Engine Air Fan

60-67	Corvette (exc. 427)				
68	Corvette w/H/Per. (427) (1st design) (exc. C.A.C., 3/2BC),				
68	Corvette w/Sp. H/Per (427) (1st design),				
68-69	Corvette w/H.D. (427, 454),				
68-69	Corvette (exc. C.A.C., H/Per. 427),				
70	Corvette (350) (exc. H/Per., Sp. H/Per., C.A.C.)	3916141	1	33.85	(stamped CK)
66-67	Corvette (427),				
68	Corvette w/C.A.C. (427) (exc. 3/2BC)	3857531	1	33.85	(stamped CT)
68-69	Corvette w/H/Per. (427) (2nd design) (exc. 3/2BC),				
68-69	Corvette w/Sp. H/Per. (427) (2nd design),				
68-69	Corvette w/C.A.C. (exc. 427 w/4BC),				
69	Corvette w/H/Per., Sp. H/Per. (350),				
69	Corvette w/A.T., H.D. (427),				
70	Corvette (350, 454) (exc. H.D.)	3937771	1	33.85	fan blade
71-73	Corvette,				
74-76	Corvette (exc. C.A.C.)	343720	1	33.70	fan blade
74	Corvette w/C.A.C.	342714	1	39.75	fan blade
75-76	Corvette w/C.A.C.	343721	1	39.75	fan blade
55-69	Corvette	3959570	4		STUD, fan blade clutch to water pump pulley hub ($\frac{5}{16}$ "— 18— 24 x $1\frac{9}{16}$ ")— (3.288)
69-76	Corvette	3964274	4	.48	STUD, fan blade clutch ($\frac{5}{16}$ "— 18— 24 x $1\frac{9}{16}$ ")

1.060 BEARING— COVER— SPACER— STUD, Idler Arm

62-66	Corvette w/Sp. H/Per., F.I. (exc. C.A.C.),				
68-69	Corvette w/C.A.C., 4BC (427),				
70-73	Corvette w/C.A.C. (454)	908076	1	5.02	water pump and fan idler pulley— (4.850)
68	Corvette	3935578	1	1.00	COVER, lower baffle acc. hole
68-74	Corvette w/C.A.C. (427, 454) (exc. P/S, 3/2BC)	3925594	1	.70	SPACER, water pump and fan idler
69-74	Corvette w/C.A.C. (427, 454) (exc. 3/2BC)	3952335	1	1.40	SPACER, water pump and fan idler pulley
62-65	Corvette w/Sp. H/Per., F.I. (exc. C.A.C.)	3793288	1	1.85	STUD, water pump (lwr. L.H. hole) ($\frac{3}{8}$ "— 16— 16 x $4\frac{1}{8}$ ")

1.062 PULLEY— REINFORCEMENT, Fan and Water Pump

NOTE In some cases double groove pulleys may be used in place of single groove pulleys.

55-56	Corvette (8 cyl.),				
57	Corvette (8 cyl.) (exc. dual 4 BC, C.A.C., F.I.),				
66	Corvette (327) (exc. H/Per., C.A.C., A.I.R.),				
67	Corvette (327) (exc. Air Cond. A.I.R., Sp. H/Per)	3905995	1	6.60	(Note 1)
66	Corvette (327) (exc. Sp. H/Per., C.A.C., A.I.R.),				
58	Corvette (late models),				
59-62	Corvette (1st design)	3724816	1	8.25	front (3724816 stamped on pulley)
62	Corvette (2nd design),				
63-68	Corvette w/Sp. H/Per., F.I., (327) (1st design) (exc. C.A.C.)	3770245	1	9.75	double ($7\frac{1}{8}$ " O.D.) (stamped 3770245)
63	Corvette w/C.A.C.	3905989	1	5.70	double ($5\frac{3}{4}$ " O.D.)
63-65	Corvette w/Sp. H/Per., F.I. (exc. C.A.C., P.S.)	3829192	1		idler ($3\frac{3}{4}$ " O.D.)
64-68	Corvette w/C.A.C. (exc. Sp. H/Per.),				
66-68	Corvette w/Sp. H/Per. (P.S. w/C.A.C.) (327),				
68	Corvette (327) (exc. Sp. H/Per., C.A.C.),				
69-70	Corvette (350) (exc. C.A.C., H/Per., Sp. H/Per.),				

1.062 PULLEY— REINFORCEMENT, Fan and Water Pump (Con't)

70	Corvette (350) (exc. H/Per., Sp. H/Per., C.A.C.)	3995643	1	6.30	
64-65	Corvette (C.A.C. w/Sp. H/Per.) (327),				
66-68	Corvette (C.A.C. w/Sp. H/Per.) (327) (exc. P.S.),				
68	Corvette (427) (1st design) (exc. T.H., C.A.C.),				
68	Corvette w/Sp. H/Per. (327) (2nd design) (exc. C.A.C.),				
68-69	Corvette w/H.D. (427),				
69-70	Corvette w/H/Per., Sp. H/Per. (350) (exc. C.A.C.)	3995641	1	6.60	double (6 ⁹ / ₃₂ " O.D.) (stamped 3848904) ...
66-68	Corvette w/A.I.R. (327 w/Sp. H/Per., 427) (exc. C.A.C.)	3765427	1	8.25	front (7 ¹ / ₈ " O.D.)
66-68	Corvette (A.I.R. w/C.A.C.) w/Sp. H/Per. (327) (exc. P.S.),				
68	Corvette (427) (1st design) (exc. T.H.),				
68	Corvette (2nd design) (exc. 427),				
67	Corvette (327) (exc. C.A.C., A.I.R., Sp. H/Per.),				
68	Corvette w/H.D. (427),				
70	Corvette w/Sp. H/Per. (350)	3883235	1	5.95	front (dia. 5 ⁷ / ₈ ")
66-67	Corvette (A.I.R. w/C.A.C.) (327) (exc. Sp. H/Per.),				
66-67	Corvette w/Sp. H/Per. (C.A.C. w/P/S) (327),				
68	Corvette (327) (1st design) (exc. Sp. H/Per.),	3883234	1	6.30	front (dia. 6 ⁵ / ₁₆ ")
68-70	Corvette w/C.A.C. (exc. 454)	3995642	1	5.95	double (stamped 3876846)
71-75	Corvette (350)	3991425	1	5.95	front
71-74	Corvette w/C.A.C. (350)	3991424	1	6.30	
75	Corvette w/C.A.C.	346299	1	7.80	
57	Corvette w/dual 4BC, F.I.,				
58	Corvette (early models),				
65	Corvette (P/S w/Sp. H/Per.) (327) (exc. C.A.C.)	3827846	1	6.35	PULLEY ASSY., w/reinforcement
63-65	Corvette, w/Sp. H/Per., F.I. (exc. C.A.C., P.S.)	3829191	1	23.40	PULLEY ASSY., idler (Note 2)
65	Corvette (396),				
66-67	Corvette (427) (exc. C.A.C.)	3906656	1	8.60	PULLEY ASSY., water pump and fan
66-68	Corvette w/C.A.C. (427) (exc. 3 x 2),				
68	Corvette (T.H. w/H/Per. 427) (exc. 3 x 2),				
68-69	Corvette w/H/Per., Sp. H/Per. (427) (2nd design),				
70	Corvette (454) (exc. H.D.)	3995644	1	9.20	PULLEY ASSY., water pump and fan (three pulleys)
63-65	Corvette (exc. Sp. H/Per., F.I., C.A.C.),				
66-68	Corvette w/A.I.R. (327) (exc. Air Cond., Sp. H/Per.)	3900434	1	6.30	PULLEY ASSY. water pump and fan
68	Corvette w/C.A.C., 4/B.C. (427)	3925592	1	23.90	PULLEY ASSY., w/pump and fan
69-74	Corvette (C.A.C. w/427, 454) (exc. 3/2BC)	3952332	1	33.00	PULLEY ASSY., water pump and fan belt idler
71-73	Corvette (454),				
74	Corvette (454) (exc. C.A.C.)	3992071	1	10.15	PULLEY ASSY.
71-75	Corvette (350) (exc. C.A.C.)	3991423	1	5.70	PULLEY ASSY., water pump and fan
74	Corvette w/C.A.C. (454)	336097	1	12.65	PULLEY ASSY., water pump and fan
58-61	Corvette,				
67-68	Corvette (327) (exc. C.A.C., Sp. H/Per.)	3720616	1	.78	REINFORCEMENT (cup shape- ¹ / ₄ " deep-3 ¹ / ₂ " O.D. x ⁵ / ₈ " I.D. w/four ¹¹ / ₃₂ " holes) (Note 3)

NOTE 1: When using 3905995, on some models, it may be necessary to use reinforcement 3720616.

NOTE 2: Consists of pulley and arm assy. w/bearing.

NOTE 3: Pumps having fan and pulley hub pressed to .348 dim. must use this reinforcement when replacing pump with pressed dim. of .288.

1.064 BLADE ASSY.— SPACER, Fan

NOTE Original equipment fans may be replaced by fans with additional blades, higher strength material or composite bolt circles.

COOLANT—GRILLE—OIL SYSTEM

1.064 BLADE ASSY.— SPACER, Fan (Con't)

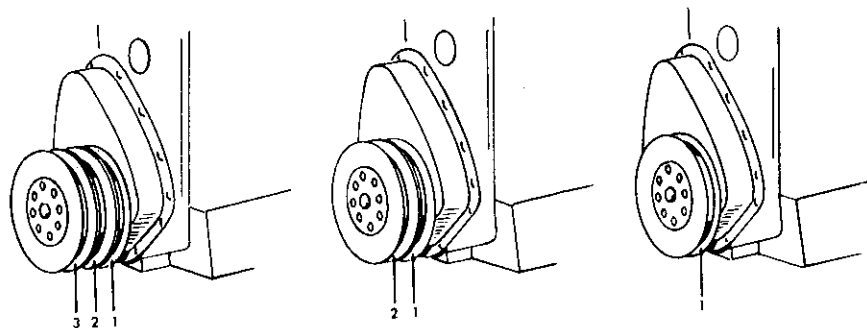
53-55	Corvette (6 cyl.)	1344087	1	5.90	
63-64	Corvette w/C.A.C. (1st design),				
66-68	Corvette w/C.A.C. (327) (2nd design)	3931002	1	13.80	(18" dia., 7 blades— 4 bolt circle)
60	Corvette w/Fan Drive Equip.,				
61-67	Corvette (exc. C.A.C., 396, 427)	3770529	1	12.55	(17½" dia., 5 blades— 3 bolt circle— 2¾" hub hole)
64-66	Corvette w/C.A.C. (1st design)	3853943	1	11.80	(18" dia., 7 blades— 4 bolt circle)
65	Corvette w/Sp. H/Per. (396)	3872792	1	10.20	(17" dia., 5 blades)
66-67	Corvette (427),				
68-70	Corvette (exc. C.A.C.),				
69	Corvette (C.A.C. w/H/Per.) (350, 427) (exc. 3/2BC),				
70	Corvette w/C.A.C. (350)	3955182	1	12.05	(17½" dia., 7 blades)
70	Corvette w/C.A.C. (454)	3993889	1	12.95	(17½" dia., 7 blades)
71-73	Corvette w/C.A.C. (350)	3991427	1	16.70	
71-75	Corvette (exc. C.A.C.)	3991420	1	11.45	
71-73	Corvette w/C.A.C. (454)	3992095	1	16.70	
74-75	Corvette w/C.A.C.	342715	1	18.70	
60	Corvette	3814241	1	1.58	SPACER (2¾" O.D. x 2" thk.)
68	Corvette (427) (exc. C.A.C.),				
69	Corvette w/H.D. (427),	3740523	1	.75	SPACER (2½/64" O.D. x 1/8" thick)

1.066 BELT, Fan, Gen. and Accessory Drive

NOTE See Dealer Price Schedule (P&A 26) for applicable prices.

Belt No.	Length	Belt No.	Length	Belt No.	Length
¾" WIDE		9433734	41"		
9433714	30½"	3953778	43¼"	3952336	31⅞"
9433716	30¾"	9433741	44½"	9433738	43¼"
9433717	32½"	9433748	47½"	3999272	45¾"
3935420	32½"	3932330	52¼"	9433751	49½"
9433720	33½"	9433759	53	9433752	50"
3837810	34¾"	9433761	54	9433757	52½"
9433723	35⅞"	9433762	55	3845654	53½"
9433725	36½"	3917208	56	9433766	57"
9433728	37½"	9433766	56½"	9433769	58
3915962	38				

*NOTE: Code letters shown under the heading "Driven Pulleys" indicate the pulleys which the belt drives. Codes are as follows, W -Water Pump and Fan, G -Generator, P -Power Steering Pump, A -Air Susp. Comp., C -Air Cond. Comp., I -Idler, X -Air Injection Reactor, F -Fan.
* 15/32" Wide*



(6 cylinder) Drive Pulley, (Crankshaft) Groove No. 1, (1, 2 or 3 pulley systems)

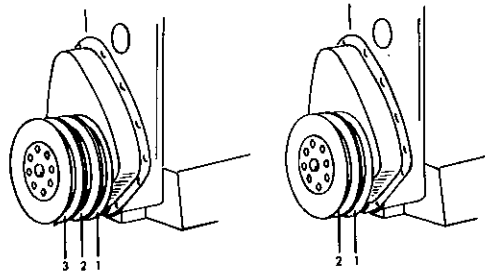
.....	Dimensions	Driven Pulleys		
53-55 Corvette	(15/32— 41)	G, W	9433734	1

COOLANT—GRILLE—OIL SYSTEM

1.066 BELT, Fan, Gen. and Accessory Drive (Con't)

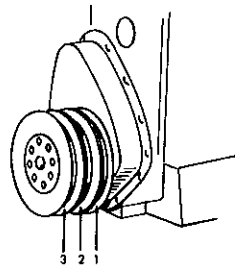
(8 cylinder) Drive Pulley (Crankshaft) Groove No. 1 (1, 2, or 3 pulley systems) (Illustration is same as (6 cyl.)

	Dimensions	Driven Pulleys		
58-57	Corvette w/dual 4BC, F.I.,			
66-67	Corvette (C.A.C. w/P/S) w/Sp. H/Per. (327).			
66-67	Corvette w/C.A.C. (427) (exc. Tri carb., P/S)	$\frac{3}{8}$ — 54)	G, W	9433761 1
58	Corvette (F.I. w/H.L. Cam) (2nd design),			
59	Corvette (F.I. w/H.L. Cam) (1st design)	$\frac{3}{8}$ — 56 $\frac{1}{2}$)	G, W	9433766 1
58-62	Corvette (exc. H.L. Cam),			
64-65	Corvette (exc. Sp. H/Per., F.I., C.A.C.)	$\frac{3}{8}$ — 55 $\frac{1}{2}$)	G, W	9433764 1
58	Corvette (1st design),			
62	Corvette w/H.L. Cam	$\frac{3}{8}$ — 54 $\frac{1}{2}$)	F, G	9433762 1
63	Corvette w/C.A.C.	$\frac{3}{8}$ — 58)	G, W	9433769 1
65	Corvette (C.A.C. w/Sp. H/Per. 327)	$\frac{15}{32}$ — 57 $\frac{1}{2}$)	G, W	9785155 1
64	Corvette w/C.A.C. (exc. Sp. H/Per.)		G, W	
65	Corvette w/C.A.C. (327) (exc. Sp. H/Per.),			
66-67	Corvette (327) (exc. Sp. H/Per.)	$\frac{3}{8}$ — 53)	F, G	9433759 1
63-65	Corvette w/H/Per., Sp. H/Per., F.I. (exc. 396)	$\frac{3}{8}$ — 37 $\frac{1}{2}$)	F, W	9433728 1
64	Corvette (C.A.C. w/Sp. H/Per.),			
65	Corvette (C.A.C. w/Sp. H/Per.) (327),			
66-67	Corvette (C.A.C. w/Sp. H/Per.) (327) (exc. P/S)	$\frac{3}{8}$ — 52 $\frac{1}{4}$)	G, W	3932330 1
65	Corvette w/Sp. H/Per. (396) (exc. P/S),			
66	Corvette w/Sp. H/Per. (427)	$\frac{3}{8}$ — 56)	G, W	3917208 1
65	Corvette (396),			
66	Corvette (427) (exc. C.A.C.),			
67	Corvette w/Sp. H/Per. (427),			
67	Corvette w/Sp. H/Per. (327) (exc. C.A.C., P/S)	$\frac{3}{8}$ — 34 $\frac{3}{8}$)	F, W	3837810 1
66-67	Corvette (C.A.C. w/H/Per.) (427)	$\frac{15}{32}$ — 32 $\frac{1}{2}$)	W	9433717 1
66	Corvette (C.A.C. w/A.I.R.) w/Sp. H/Per. (327) (exc. P/S)		X	
66	Corvette (P/S w/C.A.C.) w/H/Per. (427)	$\frac{3}{8}$ — 30 $\frac{3}{4}$)	G	9433716 1
66-67	Corvette w/A.I.R. (327) (exc. Air Cond., Sp. H/Per.)	$\frac{3}{4}$ — 47 $\frac{1}{2}$)	X, F	9433748 1
66-67	Corvette (A.I.R. w/Sp. H/Per.) (327) (exc. Air Cond.)	$\frac{3}{8}$ — 33 $\frac{1}{2}$)	X, F	9433720 1



(8 cylinder) Drive Pulley, (Crankshaft) Groove No. 2 (2, or 3 pulley systems)

	Dimensions	Driven Pulleys		
66 Corvette w/Sp. H/Per. (327)	(³ / ₈ — 54)	G, W	9433761	1
63 Corvette (exc. H.L. Cam)	(³ / ₈ — 55 ¹ / ₂)	G, W	9433764	1
63 Corvette w/C.A.C.,				
64-65 Corvette (C.A.C.) (exc. 327 w/Hyd. lifters),				
66-67 Corvette w/Air Cond. (327)	(¹⁵ / ₃₂ — 57)	W, C	3946065	1
62 Corvette w/H.L. Cam	(³ / ₈ — 38)	I, W	3915962	1
65 Corvette w/Sp. H/Per. (396),				
66 Corvette w/Sp. H/Per. (327) (exc. C.A.C., P/S),				
66 Corvette (427) (exc. C.A.C.)	(³ / ₈ — 34 ³ / ₈)	I, W	9433722	1
63 Corvette w/H.L. Cam,				
64-65 Corvette w/Sp. H/Per., F.I. (exc. 396, C.A.C.)	(³ / ₈ — 54 ¹ / ₂)	G, W	9433762	1
65 Corvette w/P/S (396),				
66-67 Corvette w/P/S (427) (exc. C.A.C.),				
66-67 Corvette (P/S w/Sp. H/Per.) (327) (exc. C.A.C.)	(45 ¹ / ₈)	P, W	9433743	1
66-67 Corvette (427) (exc. P/S, C.A.C.)	(³ / ₈ — 56)	G, F	3917208	1



(8 cylinder) Drive Pulley (Crankshaft) Groove No. 3 (3 pulley systems)

	Dimensions	Driven Pulleys		
63-65 Corvette w/P/S (1st design)	(⁹ / ₁₆ — 34 ¹ / ₂)	P	3837810	1

COOLANT—GRILLE—OIL SYSTEM

1.066 BELT, Fan, Gen. and Accessory Drive (Con't)

65	Corvette w/P/S (396),					
66-67	Corvette w/P.S. (427) (exc. C.A.C.)	(³ / ₈ — 31 ⁵ / ₈)	P, G	9433716	1	
65	Corvette w/P/S (2nd design) (exc. 396),					
66-67	Corvette w/P/S (327) (exc. Sp. H/Per.),					
66-67	Corvette (P/S w/C.A.C.) w/Sp. H/Per. (327)	(¹⁵ / ₃₂ — 36 ¹ / ₂)	P	9433725	1	
66-67	Corvette (C.A.C. w/H/Per.) (427) (exc. A.I.R.)	(¹⁵ / ₃₂ — 45 ¹ / ₂)	C, F	9433743	1	
66-67	Corvette (A.I.R. w/C.A.C.) w/H/Per. (427)	(¹⁵ / ₃₂ — 52 ¹ / ₂)	C, X, F	9433757	1	
66-67	Corvette (P/S w/C.A.C.) (427),					
67	Corvette (A.I.R. w/C.A.C.) w/Sp. H/Per. (327) (exc. P/S)	(³ / ₈ — 30 ³ / ₄)	X, F	9433716	1	
66	Corvette (P/S w/C.A.C.) (427)	(³ / ₈ — 43 ¹ / ₄)	P, F	3953778	1	
66	Corvette w/A.I.R. (427) (exc. Sp. H/Per., C.A.C.)	(³ / ₈ — 33 ¹ / ₂)	X, F	9433720	1	
66-67	Corvette (A.I.R. w/C.A.C.) (327) (exc. Sp. H/Per.),					
66-67	Corvette (A.I.R. w/C.A.C.) (P/S w/Sp. H/Per.) (327)	(³ / ₈ — 32 ³ / ₄)	X, F	3935420	1	

1967 FAN BELT CHART

NOTE See charts at beginning of group for belt dimensions and prices.

CORVETTE

Generator	Water Pump	Power Steering Pump	Air Conditioning Compressor	Air Injection Reactor Pump
327 9433759		3927158	3888404	(exc. C.A.C.) 9433748 (w/C.A.C.) 3935420
327 Sp. H/Per. (exc. C.A.C., P/S) 9433722		(exc. C.A.C.) 9433632		(w/C.A.C.) (exc. P/S) 9433716 (exc. C.A.C.) 9433720
P/S 9433761 C.A.C. (exc. P/S) 3932330 427 H/Per.	9433722	(w/C.A.C.) 9433725	9783071	(C.A.C. w/P/S)
(exc. P/S, C.A.C.) 3917208 C.A.C. (exc. P/S) 9433761		(exc. C.A.C.) 9433716		
(exc. P/S, C.A.C.) 3917208 C.A.C. (exc. P/S) 9433761	(exc. C.A.C.) 9433722	(Gen. to Pump)		(exc. C.A.C.) 9433720
P/S (exc. C.A.C.) 9433716 P/S w/C.A.C. 9433716	(w/C.A.C.) 9433717	(exc. C.A.C.) 9433632	9433743	(w/C.A.C.) 9433716
427 Sp. H/Per. (exc. P/S) 3917208 9433716	P/S 9433722	(w/C.A.C.) 9433716 (Gen. to Pump) (w/C.A.C.) 3953778		
		9433716 (Gen. to Pump) 9433632	9433632	9433720

COOLANT—GRILLE—OIL SYSTEM

1968 FAN BELT CHART

CORVETTE

Generator	Water Pump	Power Steering Pump	Air Conditioning Compressor	Air Injection Reactor Pump
327 9433759	3927158 ^(?) 9433723	9433725	3946065	(w/C.A.C.) 3935420 (exc. C.A.C.) 9433720
327 Sp. H/Per. C.A.C. (exc. P/S) 3932330 (C.A.C. w/P/S) 9433761 (exc. C.A.C., P/S) 9433759 427 H/Per. (exc. C.A.C., P/S) 9433762 C.A.C. (exc. P/S) 9433761	9433722 3935420 ^(*) (w/C.A.C.) 9433720 (exc. C.A.C.) (T.H.) 3935420	(w/C.A.C.) 9433725 (exc. C.A.C.) 9433743 (w/C.A.C.) 9433738 (exc. C.A.C.) 9433741	3946065 9433751	(exc. C.A.C.) 9433720 (w/C.A.C.) 9433720 (w/C.A.C.) 9433751 (exc. C.A.C.) 9433716
P/S (exc. C.A.C.) 9433716 (P/S w/C.A.C.) 9433716 427 Sp. H/Per. w/P/S 9433716 (exc. P/S) 9433762	9433717 3935420 ^(?)	9433741		9433716

^(?) 1st design.
^(*) 2nd design.

1969 FAN BELT CHART

CORVETTE

Generator	Water Pump	Power Steering Pump	Air Conditioning Compressor	Air Injection Reactor Pump
350 (exc. H/Per., Sp. H/Per.) (exc. C.A.C.) 9433761 (w/C.A.C.) 9433759 350 H/Per. 9433759 ^(?)	(exc. C.A.C.) 9433723 (exc. C.A.C.) (P/S) 3935420 3935420 ^(?)	9433725 (w/C.A.C.) 9433725 (exc. C.A.C.) 9433738	9433769 9433769	9433720 9433720

^(?) Also used on Sp. H/Per.

427 H/Per. (exc. C.A.C., P/S) 9433762 w/P/S (exc. C.A.C.) 9433716 (C.A.C. w/P/S) 9433716 427 Sp. H/Per. (exc. P/S) 9433762 (w/P/S) 9433716	3952336 (w/C.A.C.) 3925595 3952336	9433738 9433738	9433752	(exc. C.A.C.) 9433716 9433716 3952336 ^(?)
---	--	------------------------	---------	--

^(?) H.D. Operation.

COOLANT—GRILLE—OIL SYSTEM**1970 FAN BELT CHART****CORVETTE****FAN AND GENERATOR**

Usage	Part Number	Width—Length
(350) (exc. H/Per., Sp. H/Per., C.A.C.), (C.A.C. w/H/Per.) (350)	9433761	$1\frac{15}{32}$ "— $54\frac{1}{2}$ "
w/H/Per. (350) (exc. C.A.C.), w/Sp. H/Per. (350)	3932330	$\frac{3}{8}$ "— $52\frac{1}{4}$ "
(454) (exc. P/S)	3845654	$1\frac{15}{32}$ "— $53\frac{1}{2}$ "
w/P/S (454)	9433714	$\frac{3}{8}$ "— $30\frac{1}{2}$ "

POWER STEERING PUMP

(350) (exc. H/Per., Sp. H/Per.), (C.A.C. w/H/Per.) (350)	9433725	$\frac{3}{8}$ "—36"
w/H/Per. (350) (exc. C.A.C.), w/Sp. H/Per. (350), (454)	9433738	$1\frac{15}{32}$ "— $43\frac{1}{4}$ "

AIR COND. COMPRESSOR

(350)	9433769	$1\frac{15}{32}$ "—58"
(454)	3999272	$1\frac{15}{32}$ "— $46\frac{1}{4}$ "

WATER PUMP AND FAN

(350) (exc. H/Per., Sp. H/Per.)	9433723	$\frac{3}{8}$ "— $35\frac{1}{8}$ "
w/H/Per., Sp. H/Per. (350)	3935420	$\frac{3}{8}$ "— $32\frac{1}{2}$ "
(454)	3952336	$1\frac{15}{32}$ "— $31\frac{1}{8}$ "

A.I.R. PUMP

w/Sp. H/Per. (350)	3935420	$\frac{3}{8}$ "— $32\frac{1}{2}$ "
--------------------	---------	------------------------------------

COOLANT—GRILLE—OIL SYSTEM

1971-72 FAN BELT CHART

FAN AND GENERATOR

Usage	Part Number	Width— Length
350, 454 w/C.A.C.	9433761	$1\frac{15}{32}$ "— $54\frac{1}{2}$ "
350 (exc. C.A.C.)	3932330	$\frac{3}{8}$ "— $52\frac{1}{8}$ "
454 w/H/Per. (exc. C.A.C.)	3845654	$1\frac{15}{32}$ "— $53\frac{1}{2}$ "
454 w/P/S	9433714	$\frac{3}{8}$ "— $30\frac{1}{2}$ "
454 w/Sp. H/Per. (exc. P/S)	9433762	$1\frac{15}{32}$ "— 55 "

POWER STEERING PUMP

350, 454 w/C.A.C.	9433725	$\frac{3}{8}$ "— 36 "
350, 454 (exc. C.A.C.)	9433738	$1\frac{15}{32}$ "— $43\frac{1}{4}$ "

AIR COND. COMPRESSOR

350	9433769	$1\frac{15}{32}$ "— 58 "
454	3999272	$1\frac{15}{32}$ "— $45\frac{3}{4}$ "

WATER PUMP AND FAN

350	3935420	$\frac{3}{8}$ "— $32\frac{1}{2}$ "
454	3952336	$1\frac{15}{32}$ "— $31\frac{7}{8}$ "

A.I.R. PUMP

350	3935420	$\frac{3}{8}$ "— $32\frac{1}{2}$ "
454	9433716	$\frac{3}{8}$ "— $30\frac{3}{4}$ "

1973 FAN BELT CHART

FAN AND GENERATOR

Usage	Part Number	Width— Length
*350 (exc. C.A.C.)	326088	$\frac{3}{8}$ "— $52\frac{3}{4}$ "
*350 w/C.A.C.	326089	$\frac{3}{8}$ "— $54\frac{1}{4}$ "
*454 (exc. P/S)	9433761	$1\frac{15}{32}$ "— $54\frac{1}{2}$ "
*454 w/P/S	326092	$\frac{3}{8}$ "— $30\frac{21}{32}$ "

POWER STEERING PUMP

*350 w/C.A.C.	326083	$\frac{3}{8}$ "— $36\frac{1}{4}$ "
*350 (exc. C.A.C.), *454	9433740	$1\frac{15}{32}$ "— 44 "

AIR COND. COMPRESSOR

350	9433769	$1\frac{15}{32}$ "— 58 "
*454	326094	$1\frac{15}{32}$ "— $49\frac{3}{4}$ "

WATER PUMP AND FAN

350 (exc. C.A.C., P/S)	3935420	$\frac{3}{8}$ "— $32\frac{1}{2}$ "
454	3952336	$1\frac{15}{32}$ "— $31\frac{7}{8}$ "

COOLANT—GRILLE—OIL SYSTEM

1.066 BELT, Fan, Gen. and Accessory Drive (Con't)

A.I.R. PUMP

*454 (exc. C.A.C.) *350	9433714 9433718	$\frac{3}{8}$ "—30 $\frac{1}{2}$ " $\frac{3}{8}$ "—32 $\frac{1}{2}$ "
----------------------------	--------------------	--

**1974 FAN BELT CHART
FAN AND GENERATOR**

Usage	Part Number	Width— Length
454 (exc. C.A.C., P/S)	9433761	$\frac{15}{32}$ "—54 $\frac{1}{2}$ "
350 (exc. C.A.C.)	326088	$\frac{3}{8}$ "—52 $\frac{3}{4}$ "
350 w/C.A.C.	326089	$\frac{3}{8}$ "—54 $\frac{1}{4}$ "
w/C.A.C. (454) (exc. P/S)	9433760	$\frac{15}{32}$ "—54"
454 w/P/S	326092	$\frac{3}{8}$ "—30 $\frac{21}{32}$ "

POWER STEERING PUMP

350 w/C.A.C.	326083	$\frac{3}{8}$ "—36 $\frac{1}{4}$ "
350, 454 (exc. C.A.C.)	9433740	$\frac{15}{32}$ "—44"
454 w/C.A.C.	9433739	$\frac{15}{32}$ "—43 $\frac{1}{2}$ "

AIR COND. COMPRESSOR

454	9433751	$\frac{15}{32}$ "—49 $\frac{1}{2}$ "
350	9433770	$\frac{15}{32}$ "—59"

WATER PUMP AND FAN

350 (exc. C.A.C., P/S)	9433718	$\frac{15}{32}$ "—33"
454(*)	3952336	$\frac{15}{32}$ "—31 $\frac{7}{8}$ "

A.I.R. PUMP

350 w/C.A.C.	9433719	$\frac{15}{32}$ "—33 $\frac{1}{2}$ "
350 (exc. C.A.C.)	9433718	$\frac{15}{32}$ "—33"
454	9433714	$\frac{15}{32}$ "—31"

NOTE 1: Crankshaft pulley must be pulled to install belt.

1975 FAN BELT CHART

FAN AND GENERATOR

Usage	Part Number	Width— Length
350 (exc. C.A.C.)	9433758	$\frac{15}{32}$ "—53"
350 w/C.A.C.	9433760	$\frac{15}{32}$ "—54"

POWER STEERING PUMP

350	9433725	$\frac{3}{8}$ "—36"
-----	---------	---------------------

AIR COND. COMPRESSOR

350	9433770	$\frac{15}{32}$ "—59"
-----	---------	-----------------------

COOLANT—GRILLE—OIL SYSTEM

1.066 BELT, Fan, Gen. and Accessory Drive (Con't)

WATER PUMP AND FAN

350 (exc. C.A.C.)	9433718	¹⁵ / ₃₂ "— 33"
-------------------	---------	--------------------------------------

A.I.R. PUMP

350 (exc. C.A.C.)	9433718	¹⁵ / ₃₂ "— 33"
350 w/C.A.C.	9433719	¹⁵ / ₃₂ "— 33 ¹ / ₂ "

1.069 PUMP UNIT, Engine Coolant

55-70	Corvette (exc. 396, 427, 454) . . .	3998206	1	26.30	(Note 1)
55-70	Corvette (exc. 396, 427, 454) . . .	3998207	1	26.30	(Note 1)
<i>NOTE 1: Use old pump as guide by checking distance from hub to pump body. Part number 3998206 has a distance of 1/4", 3998207 has a distance of 3/8". Above pumps do not have adjustable hubs.</i>					
65-69	Corvette (396, 427),				
70	Corvette (454) (exc. H.D.)	3990993	1	39.15	
66-70	Corvette w/H.D. (427)	3977630	1	48.25	
71-75	Corvette (350)	6258551	1	23.75	
71-74	Corvette (454)	6260822	1	44.75	

1.073 CAP— BOLT— STUD, Coolant Pump

64-70	Corvette	1191141	1	.37	heater hose pipe
65-67	Corvette w/C.A.C.,				
68-69	Corvette w/C.A.C., H/Per. (396),				
70-73	Corvette w/C.A.C. (454)	3779940	1	.11	BOLT , attach. lower hole— (7.874)
66-68	Corvette (427) (exc. A.I.R.)	3759755	R.H.	.17	STUD , upper, R.H., pump attaching (⁵ / ₁₆ "— 24 x ³ / ₈ "— 16 x 2 ⁹ / ₁₆ ")
66	Corvette w/Sp. H/Per. (327)	9418649	1	.23	STUD , water outlet (³ / ₈ "— 16 x 2 ⁷ / ₈ ")— (8.900)
66	Corvette w/A.I.R. (396, 427),				
67	Corvette w/A.I.R.,				
68-69	Corvette (327, 350, 427),				
70	Corvette w/Sp. H/Per. (350),				
70-71	Corvette w/P/S (454),				
72	Corvette,				
73-74	Corvette (350)	3877646	L.H.	2.30	STUD , upper L.H.
69-71	Corvette (327, 350)	3932368	1	.15	STUD , water outlet (³ / ₈ "— 16 x 1 ¹² / ₁₆ ")

1.079 GASKET, Coolant Pump Assembly (to Block)

55-67	Corvette (8 cyl.) (exc. 396, 427),				
69-75	Corvette (327, 350)	3754587	1	.16	left or right (¹³ / ₃₂ " large I.D.) (cork) (Note 1)
<i>NOTE 1 When using as L.H. gasket trim off 1/2" dia. hole.</i>					
65-74	Corvette (396, 427, 454)	3860039	2	.16	(1 ⁷ / ₁₆ " I.D. x two ¹³ / ₃₂ " holes at ends)

1.097 CONNECTOR— ELBOW— HOSE, Coolant Pump By-Pass

65-68	Corvette (396, 427) (exc. A.I.R.)	3921915	2	.40	thermostat by-pass hose to inlet manifold and water pump (1 ³⁹ / ₆₄ " O.L. x ⁴⁹ / ₆₄ " O.D.)
66-67	Corvette w/A.I.R. (427),				
68	Corvette w/H.D. (427)	3921916	1	1.50	thermostat by-pass hose at water pump, inlet manifold
63-67	Corvette w/Sp. H/Per., F.I. (327)	3829819	1	4.75	ELBOW , thermostat by-pass (at water pump)
66	Corvette w/C.A.C. (427) (exc. Sp. H/Per.)	3757235	1	3.90	ELBOW
63	Corvette w/Sp. H/Per., F.I.	3794094	1	1.07	HOSE , thermostat by-pass— (8.846)
65	Corvette (396),				
66-67	Corvette (427) (exc. A.I.R.),				
68-69	Corvette (427) (exc. H.D.),				
70-74	Corvette (454)	1485552		2.75	HOSE , thermostat by-pass (cut as reqd.)
66-67	Corvette w/A.I.R. (427),				
68	Corvette w/H.D. (427)	3882829	1	1.15	HOSE , thermostat by-pass

1.105 SHAFT ASSY., Coolant Pump, with Bearing

65-70	Corvette (396, 427, 454)	907738	1	12.06	(4 ⁶¹ / ₆₄ " long)
--------------	------------------------------------	---------------	---	-------	--

1.109 ROTOR, Coolant Pump

65-67	Corvette (396, 427)	3863197	1	3.34	(3 ⁵⁵ / ₆₄ " O.D.) (stamped 3863197)
--------------	-------------------------------	----------------	---	------	--

COOLANT—GRILLE—OIL SYSTEM

1.113 PLATE, Coolant Pump Back

70 Corvette w/H.D. (454) **3975929** 1 2.22

1.123 SEAL, Coolant Pump

53-55 Corvette (6 cyl.),
55-64 Corvette,
65-70 Corvette (exc. 396, 427, 454) . . . **3927156** 1 1.24 water pump

1.148 GAUGE, Coolant Temperature (Dash Unit)

(For 1962-63 models also see groups 9.743, 9.746, 9.747 and 9.748)

59-62 Corvette **1514185** 1 8.77 (less case, face plate and lens) ("V" shaped pointer)
63 Corvette **6400616** 1 24.50 (less case, face plate and lens)
64 Corvette **6401290** 1 24.50 (less case, face plate and lens)
65-67 Corvette **6402594** 1 16.51 thermo. and resistor
68-74 Corvette **6490857** 1 10.32 therm.
75 Corvette **8992298** 1 10.03 coolant temp.

1.150 GAUGE— SWITCH ASSY., Coolant Temperature (Engine Unit)

56-74 Corvette **546702** 1 4.30
70-72 Corvette **6489785** 1 6.02 **SWITCH ASSY.**
73-74 Corvette **6490453** 1 5.16 **SWITCH ASSY.**
74 Corvette **3030200** 1 7.95 **SWITCH ASSY., thermo. vac.**

1.152 CORD ASSY.— HEATER UNIT, Engine Heater

70 Corvette **732591** 1 3.31
71-72 Corvette w/eng. heater (exc. 454),
73-75 Corvette (350) (exc. Sp. H/Per.) . . . **994161** 1 8.75 **HEATER UNIT**
71-74 Corvette w/eng. heater (454) . . . **994162** 1 8.75 **HEATER UNIT**

1.153 OUTLET— SPACER, Coolant

55-61 Corvette w/4BC,
62-65 Corvette (exc. F.I., Sp. H/Per.),
65 Corvette (396),
66 Corvette w/A.I.R. (427),
66-68 Corvette w/Sp. H/Per. (327) . . . **3827369** 1 6.10 cast iron (cast 3827369)
56-60 Corvette w/dual 4BC, F.I.,
62 Corvette w/F.I., Sp. H/Per. **3837223** 1 2.03 cast aluminum (cast 3837223)
63-65 Corvette w/Sp. H/Per., F.I. (327) **3827370** 1 2.51 (cast 3827370)
66-70 Corvette (327, 350) (exc. Sp. H/Per.),
71-75 Corvette **336790** 1 2.37 water
65-67 Corvette w/A.I.R. (396, 427) . . . **3874434** 1 .80 **SPACER** (1²⁷/₃₂" I.D.)

1.154 GASKET, Coolant Outlet

53-75 Corvette **3701777** 1 .16 (2 holes 1⁹/₁₆" I.D.)

1.159 HOSE, Radiator Inlet

NOTE. "INLET" hose is used between top of radiator and engine coolant outlet. "OUTLET" hoses (group 1.173) are used between bottom of radiator and cylinder block.

NOTE Some hoses have been replaced with hoses of a different length or configuration. This replacement hose, in many instances will require cutting, using old part as guide.

55-61 Corvette (8 cyl.) (exc. dual 4BC),
61-62 Corvette (2nd design) (exc. H.L. Cam) **3788191** 1 3.25 (1¹/₂" I.D.) (moulded 3788191)
58-61 Corvette w/F.I., H/P **3777482** 1 3.50 (1¹/₂" I.D.) (moulded 3777482)
63-65 Corvette (exc. F.I., Sp. H/Per., C.A.C.) **3827366** 1 3.75 (1¹/₂" I.D.) (moulded 3827366)
63-65 Corvette w/F.I., Sp. H/Per. (exc. 396) **3827368** 1 3.25 (1¹/₂" I.D.) (moulded 3827368)
65 Corvette (396) (1st design) **3873842** 1 5.25 (1¹/₂" I.D.) (moulded 3873842)
65 Corvette (396) (2nd design) **3879680** 1 4.50 (1³⁹/₆₄" I.D.) (moulded 3879680)
66 Corvette w/A.I.R. (427) **3906616** 1 3.50 (1¹/₂" I.D.) (moulded 3906616)
66-67 Corvette (427) (exc. A.I.R.),
68 Corvette w/H.D. (427) **3906615** 1 3.05 (1¹/₂" I.D.) (moulded 3906615)
66-67 Corvette (327) (exc. Sp. H/Per.) . . . **3887154** 1 4.25 (1⁹/₆₄" I.D.) (moulded 3887154)
66-67 Corvette w/Sp. H/Per. (327) . . . **3887156** 1 4.25 (1⁹/₁₆" I.D.) (moulded 3887156)
68 Corvette (427) **3947866** 1 3.50 (1¹/₂" I.D.) (moulded 3947866)
68-70 Corvette w/3-Spd. (exc. H/Per., C.A.C., 427),
68 Corvette w/Sp. H/Per. (327),
71-72 Corvette w/4-Spd. (350) (exc. Sp. H/Per., C.A.C.) **3935466** 1 3.50 (1¹/₂" I.D.) (moulded 3935466)
68 Corvette w/C.A.C. (exc. 427, T.H.),

COOLANT—GRILLE—OIL SYSTEM

1.159 HOSE, Radiator Inlet (Con't)					
68	Corvette w/T.H. (exc. 427)	3917670	1	4.50	(1½" I.D.) (moulded 3917670)
69-70	Corvette w/T.H. (exc. 427, 454),				
69	Corvette w/C.A.C. (exc. T.H. 427),				
70	Corvette w/C.A.C. (350) (exc. H/Per., A.T.),				
70	Corvette w/H/Per. (350),				
71-72	Corvette w/C.A.C. (350),				
71-72	Corvette w/Sp. H/Per. (350) (exc. H.D. 4-Spd.),				
71-72	Corvette w/A.T. (350),				
73-75	Corvette (350)	3946852	1	3.35	(1½" I.D.) (moulded 3946852)
69	Corvette w/H/Per. (427) (exc. 3 x 2),				
69	Corvette w/Sp. H/Per. (427),				
70-72	Corvette (454) (exc. H.D. Rad.)	3967433	1	4.75	(moulded 3967433)
69	Corvette w/H.D. 4-Spd., H.D. (427),				
70	Corvette (Sp. H/Per. w/H.D. 4-Spd.) (350),				
70-71	Corvette w/H.D. Rad.	3946011	1	3.50	(1½" I.D.) (moulded 3946011)
69-70	Corvette w/Sp. H/Per. (350) (exc. H.D.)	3959554	1	2.69	(1½" I.D.) (moulded 3959554)
70-72	Corvette (C.A.C. w/H/Per.) (454)	3905149	1	2.54	rad. outlet tube front hose
71-72	Corvette (H.D. 4-Spd. w/Sp. H/Per.) (350)	3997761	1	4.50	inlet
73-74	Corvette (454)	331876	1	4.50	(1½" I.D.) (moulded 331876)
76	Corvette	368685	1		inlet

1.166 CLAMP, Hose, with Nut and Bolt					
53-70	Corvette	3692864	A.R.	.17	universal (expansion 1½" to 2¾" O.D.)
53-74	Corvette	1470029	A.R.	.67	worm adj. type (for 1³⁄₁₆" dia. hose)
53-74	Corvette	2494772	A.R.	.60	miniature worm drive type (1¼" x 5⁄₈" dia. range)
53-76	Corvette	2468878	A.R.	.67	worm adj. type (1³⁄₈" x 2¼" I.D. range)
53-74	Corvette	3749810	A.R.	.68	adjustable strap type (1" to 6")
70-74	Corvette w/C.A.C.	1470030	2	.67	htr. to valve and heater to water pump (1¹⁄₁₆" x 1¼" I.D.)
70-71	Corvette w/C.A.C.	2471945	1	.67	blower and evaporator drain tube clamp

1.173 HOSE— TUBE, Radiator Outlet

NOTE "Outlet" hoses are used between bottom of radiator and cyl. block. "Inlet" hose (group 1.159) is used between top of radiator and eng. coolant outlet.

NOTE Some hoses have been replaced with hoses of a different length or configuration. This replacement hose, in many instances will require cutting, using old part as guide.

53-55	Corvette (6 cyl.)	3692230	1	2.75	(1½" I.D.) (moulded 3706088)
55-62	Corvette (8 cyl.)	3754505	1	4.25	(1¾" I.D.) (moulded 3754505)
63-65	Corvette (exc. 396)	3832170	1	4.95	(1¾" I.D.) (moulded 3832170)
65	Corvette (396)	3876782	1	5.25	(1¾" I.D.) (moulded 3876782)
66-67	Corvette (327),				
68	Corvette (exc. 427, C.A.C., T.H.),				
69	Corvette w/3-Spd. (350) (exc. C.A.C.),				
70	Corvette (350) (exc. H/Per., Sp. H/Per., C.A.C.),				
71-72	Corvette w/4-Spd. (350) (exc. C.A.C.)	3917669	1	6.95	(1¾" I.D.) (moulded 3917669)
66-67	Corvette (427),				
68	Corvette w/H.D. (427)	3882826	1	5.25	(1¾" I.D.) (moulded 3882826)
68	Corvette (427)	3921908	1	5.75	(1¾" I.D.) (moulded 3921908)
68	Corvette w/C.A.C. (exc. 427)	3917671	1	5.75	(1¾" I.D.) (moulded 3917671)
69	Corvette w/T.H. (exc. 427, 454),				
69	Corvette w/C.A.C. (exc. 427),				
69-70	Corvette w/H/Per., Sp. H/Per. (350),				
70-72	Corvette w/C.A.C. (350) (exc. H/Per., A.T.),				
71-72	Corvette w/A.T. (350)	3946854	1	6.25	(1¾" I.D.) (moulded 3946854)
69	Corvette w/H.D. (427) (exc. A.T.),				
70-71	Corvette w/H.D. Rad.	3946012	1	6.25	(1¾" I.D.) (moulded 3946012)
69	Corvette (427) (exc. H.D.),				
69	Corvette w/A.T.,				
70-71	Corvette (454) (exc. H.D. Rad., C.A.C.),				
70-71	Corvette w/A.T. (454),				

COOLANT—GRILLE—OIL SYSTEM

1.173 HOSE— TUBE, Radiator Outlet (Con't)

73	Corvette (454) (exc. C.A.C.),				
74	Corvette (454)	3947868	1	4.95	(1 ⁷ / ₈ " I.D.) (moulded 3947868)
70-73	Corvette w/C.A.C. (454)	3969929	1	2.50	rear
73	Corvette w/C.A.C. (454)	3905149	1	2.54	front (1 ³ / ₄ " I.D.) (moulded 3905149)
73-76	Corvette	355347	1	4.50	outlet
70-73	Corvette w/C.A.C. (454)	3969930	1	5.10	TUBE, hose

1.175 ANTI— FREEZE, Radiator

53-74	Corvette	1050028	A.R.	GA/7.30	1 gal. can (Ethylene Glycol)— (8.800)
53-74	Corvette	1050029	A.R.	DR/N.L.	55 gal. drum (Ethylene Glycol)— (8.800)

1.203 CAP, Radiator Filler, with Gasket

53-55	Corvette (6 cyl.)	850796	1	2.10	pressure type (5 ¹ / ₂ lb.) (RC-2)
55-61	Corvette (8 cyl.) (1st design) (exc. F.I.)	850795	1	2.10	pressure type (7 lb.) (RC-1)
58-59	Corvette w/F.I.	850800	1	2.10	pressure type (13 lb.)
60-63	Corvette (2nd design),				
64-67	Corvette (1st design) (exc. Air Cond. 427)	6410206	1	4.40	supply tank filler (RC-22) (13 lb.) (Note 1) ..

NOTE 1 This cap is to be used with aluminum radiators.

64-65	Corvette w/Air Cond.,				
66	Corvette (2nd design) (exc. 427),				
68-72	Corvette	861050	1	2.10	
73-75	Corvette	6410665	1	2.77	

1.219 CORE— BRACKET— CLAMP— RETAINER— STRAP— SUPPORT ASSY.— TANK ASSY., Radiator

NOTE: For drain cocks see Std. Parts Group 8.951.

NOTE In some cases standard radiators are replaced by heavy duty radiators and radiators with oil coolers can be used in place of ones without oil coolers.

61-62	Corvette	3150916	1	122.75	(aluminum) (stmpd. 3150916) (Note 1)
-------	----------------	----------------	---	--------	--

NOTE 1 Top radiator tank not an intergral part of this core— See 3151016 for Tank Assy.

63-72	Corvette (exc. 396, 427, 454, A.T., H.D.)	3155316	1	142.00	w/o oil cooler, w/o finger guard (core 19" wide)
-------	--	----------------	---	--------	---

65	Corvette (396),				
67-69	Corvette w/H.D. (427),				
70-71	Corvette w/H.D. Rad.,				
70-72	Corvette (H.D. 4-Spd. w/Sp. H/Per.) (350)	3007436	1	176.60	w/o oil cooler, w/o finger guard (core 21" wide) (Note 2)

NOTE 2 It may be necessary to replace the radiator inlet hose with part 3879680.

66-67	Corvette (427) (exc. 3 x 2),				
68	Corvette (exc. H.D.)	3008566	1	190.85	w/oil cooler, w/o finger guard
69-72	Corvette w/T.H. (exc. 427, 454),				
72	Corvette w/Sp. H/Per. (350) (exc. H.D. 4-Spd.)	3018802	1	250.40	w/oil cooler (core 26" wide)
69	Corvette (427),				
70-72	Corvette (454) (exc. H.D.)	3019190	1	260.45	w/oil cooler (core 27 ¹ / ₂ " wide)
73	Corvette	3027967	1	181.75	
74	Corvette (exc. C.A.C.)	3030132	1	275.50	
75	Corvette (exc. C.A.C.)	3030684	1	276.30	
74-75	Corvette w/C.A.C.	3030199	1	316.40	
63	Corvette	3824800	1	4.05	BRACKET, supply tank

64-66	Corvette (exc. 427),				
67-68	Corvette (327) (exc. C.A.C., T.H.),				
69-70	Corvette w/3, H.D. 4-Spd. (exc. C.A.C., H/Per. 350),				
71-72	Corvette (exc. A.T., C.A.C., Sp. H/Per. 350)	3843431	1	1.03	BRACKET ASSY., supply tank
69-72	Corvette w/C.A.C. (427, 454) (exc. 3/2BC)	3956046	1	1.81	BRACKET ASSY., supply tank frt.
69-72	Corvette w/C.A.C. (427, 454) (exc. 3/2BC)	3956047	1	2.35	BRACKET ASSY., supply tank rear

63	Corvette,				
64-66	Corvette (exc. 427),				
67-68	Corvette (327) (exc. C.A.C., T.H.),				
69-70	Corvette w/3, H.D. 4-Spd. (exc. C.A.C., H/Per. 350),				
71-72	Corvette (exc. A.T., C.A.C., Sp. H/Per. 350)	3843432	1	.37	CLAMP, supply tank (Note 4)

NOTE 4: When used in place of 3825093 on 1963 models 2-3843432 clamps and 1-3843431 Bracket should be used.

69-72	Corvette w/C.A.C. (427, 454) (exc. 3/2BC)	3956045	2	.50	CLAMP, supply tank
-------	--	----------------	---	-----	---------------------------------

COOLANT—GRILLE—OIL SYSTEM

1.219 CORE— BRACKET— CLAMP— RETAINER— STRAP— SUPPORT ASSY.— TANK ASSY., Radiator (Con't)

63-66	Corvette (exc. 427)	3816659	3	.28	RETAINER, supply tank to hose— (2.559) . .
61-62	Corvette	3786794	1	.48	STRAP, supply tank (Note 3)
61-62	Corvette (2nd design)	3786788	1	3.50	SUPPORT ASSY., supply tank (Note 3)
61-62	Corvette (2nd design)	3151016	1	17.70	TANK ASSY., supply (Note 3)
63-67	Corvette (exc. 427)	3155416	1	17.70	TANK ASSY., supply
68	Corvette (exc. C.A.C.),				
69	Corvette (exc. T.H. 400, C.A.C.),				
70	Corvette w/3, H.D. 4-Spd. (exc. C.A.C., H/Per. 350),				
71-72	Corvette (exc. C.A.C., A.T., Sp. H/Per. 350)	3016340	1	17.90	TANK ASSY., rad. supply
69-72	Corvette (C.A.C. w/427, 454) (exc. 3/2BC)	3019249	1	74.00	TANK ASSY., supply

NOTE 3 Used in conjunction with second design core 3150916.

1.240 TANK— CAP, Coolant Recovery

73	Corvette	334762	1	3.35	
74-76	Corvette	339185	1	2.71	
73	Corvette	1497193	1		CAP, tank
74-75	Corvette	1601187	1	.38	CAP, tank

1.246 THERMOSTAT, Radiator and Hot Water Heater

53-59	Corvette	3156260	1	4.88	160 degrees (poppet pellet type)
53-62	Corvette	3156279	1	4.88	170 degrees (poppet pellet type)
53-64	Corvette,				
65-69	Corvette (exc. A.I.R.),				
70-74	Corvette	3156280	1	4.88	170 degrees (poppet pellet type)
66-69	Corvette w/A.I.R. (8 cyl.)	3028626	1	4.88	195 degrees
75	Corvette	3030056	1	4.50	

1.251 HOUSING UNIT, Thermostat

53-55	Corvette (6 cyl.)	3741032	1	3.80	w/bushing (w/3774186 pump)
-------	-------------------	---------	---	------	--------------------------------------

1.252 GASKET— SEAL, Thermostat Housing

53-55	Corvette (6 cyl.)	838297	1	.11	housing to head
64-65	Corvette	3772202	1	.27	SEAL (1 ¹¹ / ₃₂ " I.D. x 2 ¹ / ₈ " O.D.)

1.263 PANEL— BONDING STRIP— EXTENSION— REINFORCEMENT, Radiator

NOTE. For upper side panels see group 8.153 front fender extension panel.

58-62	Corvette	3784864	1	75.00	front bottom (plastic laminate) (Note 1)
58-62	Corvette	3751469	1	29.95	front bottom left (plastic laminate) (Note 1)
58-62	Corvette	3751470	1	29.95	front bottom right (plastic laminate) (Note 1)
NOTE 1 It will be necessary to rework fender opening section on 1962 models.					
58-62	Corvette	3751471	1	59.95	front bottom center (plastic laminate)
58-62	Corvette	3787739	1	35.00	front top center (plastic laminate)
63-67	Corvette	3831931	1	12.50	grille upper (plastic laminate) (Note 2)
NOTE 2 When used on early des. mdl's. it may be necessary to drill the attaching holes 3/8" dia.					
63-67	Corvette	3831932	1	19.95	grille lower (plastic laminate)
68-69	Corvette	3941932	1	19.95	grille lower
70-72	Corvette	3995085	1	19.95	grille lower
73-76	Corvette	327641	1	19.95	grille lower
63-67	Corvette	3797481	1	5.00	BONDING STRIP, frt. fender upper to rad. grille upper panel
63-67	Corvette	3859043	1	12.50	BONDING STRIP, frt. fdr. upper reinf. at rad. panel
63-67	Corvette	3914068	1	38.80	BONDING STRIP (w/reinf.) frt. fdr. upper panel
58-62	Corvette	3786256	1	17.50	EXTENSION, front top center panel
68-72	Corvette	3938095	1	6.75	REINFORCEMENT, frt. fdr., upper panel frt.

1.266 GRILLE ASSY.— HOUSING— PLATE— REINFORCEMENT ASSY., Radiator (Mouldings in group 1.268)

61	Corvette	3779660	1	31.85	aluminum
62	Corvette	3799730	1	32.30	aluminum (black anodized)
63-64	Corvette	3848941	1	54.55	
65-67	Corvette	3875746	1	39.85	(Note 1)
NOTE 1 3875746 together with 3897389 support (2 req.) may be used in place of 3869148.					
68-69	Corvette	3966553	1	8.10	outer, left
68-69	Corvette	3966554	1	8.10	outer, right
68-69	Corvette	3966555	1	6.45	center
70-72	Corvette	3966772	1	7.20	center
73	Corvette	331835	L.H.	11.75	outer
73	Corvette	331836	R.H.	11.75	outer
73	Corvette	331834	1	15.55	center

COOLANT—GRILLE—OIL SYSTEM

1.266 GRILLE ASSY.— HOUSING— PLATE— REINFORCEMENT ASSY., Radiator (Mouldings in group 1.268) (Con't)

74	Corvette	342275	L.H.	11.75	outer left
74	Corvette	342276	R.H.	11.75	outer right
74	Corvette	342277	1	15.55	center
75-76	Corvette	345487	L.H.	10.60	outer left
75-76	Corvette	345488	R.H.	10.60	outer right
70-72	Corvette	5964683	L.H.	59.95	HOUSING, park lamp with grille— (2.586)
70-72	Corvette	5964684	R.H.	59.95	HOUSING, park lamp with grille— (2.586)
53-60	Corvette	3706430	8	.18	PLATE, vert. mldg. anchor (2 ³ / ₈ " long x 5/ ₈ " wide)
63-65	Corvette,				
67	Corvette w/H.D. (427)	3830917	1	.47	REINFORCEMENT ASSY., grille lower panel
66	Corvette (327),				
67	Corvette (exc. H.D. 427)	3886883	1	.37	REINFORCEMENT ASSY., grille lower panel

1.267 SUPPORT— BRACKET— BRACE— NUT ASSY.— SPACER, Radiator Grille

63-64	Corvette	3830161	L.H.	1.10	outer upper, L.H.
63-64	Corvette	3830162	R.H.	.53	outer upper, R.H.
63-64	Corvette	3831928	3	.30	grille center, inter. outer lower (Note 1)
<i>NOTE 1 Cut as required.</i>					
65	Corvette	3860567	A.R.	.65	grille inter. and ctr.
65	Corvette	3860569	2	.44	grille outer
65-67	Corvette	3897389	2	.44	grille
68-69	Corvette (1st design)	3930351	L.H.	.29	outer grille lower left (approx. 3")
68-69	Corvette (1st design)	3930352	R.H.	.29	outer grille lower right (approx. 3")
68-69	Corvette (1st design)	3930353	L.H.	.17	outer grille upper, left (approx. 2")
68-69	Corvette (1st design)	3930354	R.H.	.17	outer grille upper, right (approx. 2")
70-72	Corvette	3963133	L.H.	.58	grille center L.H.
70-72	Corvette	3963134	R.H.	.58	grille center R.H.
68	Corvette		R.H.		SUPPORT ASSY., center grille,
68-69	Corvette	3953039	L.H.	2.66	outer grille inner
68	Corvette		L.H.		SUPPORT ASSY., outer grille inner,
68	Corvette		R.H.		center grille, right,
69	Corvette	3953040	R.H.	2.66	outer grille inner
69	Corvette (2nd design)	3953037	L.H.	1.50	SUPPORT ASSY., left, outer grille outer (approx. 9")
69	Corvette (2nd design)	3953038	R.H.	1.50	SUPPORT ASSY., right, outer grille outer (approx. 9")
63-64	Corvette	3831933	2	.13	BRACKET, grille mounting
65-67	Corvette	3860570	4	.10	BRACKET, grille mounting
69-70	Corvette (exc. A.T., 454),				
71-72	Corvette (350) (exc. H.D. 4-Spd., C.A.C., A.T., Sp. H/Per.)	3963192	1	1.07	BRACKET, support seal
70-72	Corvette	3976359	L.H.	.39	BRACKET, outer grille L.H.
70-72	Corvette	3976360	R.H.	.26	BRACKET, outer grille R.H.
70-72	Corvette	3974009	L.H.	.39	BRACKET, rad. grille L.H.
70-72	Corvette	3974010	R.H.	.39	BRACKET, rad. grille R.H.
75-76	Corvette	347917	L.H.	.60	BRACKET, rad. grille inner L.H.
75-76	Corvette	347918	R.H.	.60	BRACKET, rad. grille inner R.H.
75-76	Corvette	345485	L.H.	2.66	BRACKET, rad. grille outer L.H.
75-76	Corvette	345486	R.H.	2.66	BRACKET, rad. grille outer R.H.
73-74	Corvette	331859	L.H.	.58	BRACE, grille outer
73-74	Corvette	331860	R.H.	.58	BRACE, grille outer
64-66	Corvette	3831934	2	.10	NUT ASSY., center support— (10.262)
74-75	Corvette	3982098	4	.11	NUT ASSY., rad. grille lower panel (1/4"— 20 x 1/2")— (2.688)
62	Corvette	3709917	1	.10	SPACER, horizontal bar (1/2" I.D. x 1 ⁵ / ₁₆ " O.L.)— (6.581)

1.268 MOULDING— BAR, Radiator Grille

58-60	Corvette	3799993	1	33.00	frame assy., lower
58-62	Corvette	3799991	1	22.00	frame assy., upper
58-62	Corvette	3740209	L.H.	7.55	body front top panel front, L.H.
58-62	Corvette	3740210	R.H.	7.55	body front top panel front, R.H.
58-62	Corvette	3740211	L.H.	7.55	body front bottom panel front, L.H.
58-62	Corvette	3740212	R.H.	7.55	body front bottom panel front, R.H.
63-64	Corvette	3797233	L.H.	2.83	grille side, left
63-64	Corvette	3797235	1	10.05	grille center
65	Corvette	3860578	1	7.50	grille center lower
68-69	Corvette	3915847	L.H.	8.40	left, outer grille
68-69	Corvette	3915848	R.H.	8.40	right, outer grille
63-64	Corvette	3830150	1	4.60	BAR, grille center (No. 1 and 2)
63-64	Corvette				BAR, grille outer, left (No. 1),

COOLANT—GRILLE—OIL SYSTEM

1.268		MOULDING— BAR, Radiator Grille (Con't)			
65	Corvette	3830151	L.H.	1.75	grille outer, left (No. 1, 2 and 3) (Note 2) . . .
63-64	Corvette				BAR , grille outer, right (No. 1),
65	Corvette	3830152	R.H.	1.75	grille outer, right (No. 1, No. 2 and No. 3) (Note 2)
<i>NOTE 2 Cut as required.</i>					
63-64	Corvette	3830153	L.H.	1.75	BAR , grille outer, left (No. 2)
63-64	Corvette	3830154	R.H.	1.75	BAR , grille outer, right (No. 2)
63-65	Corvette	3830155	1	7.50	BAR , grille (No. 3)
63-64	Corvette	3830156	1	7.50	BAR , grille (No. 4)
63-64	Corvette	3830157	1	7.50	BAR , grille (No. 5)
63-64	Corvette	3830158	1	7.50	BAR , grille (No. 6)
1.269		RETAINER— RIVET, Radiator Grille Moulding			
63-64	Corvette	3797236	5	.10	
53-71	Corvette	9418482	A.R.	.10	RIVET (1/8" x 5/16") (Aluminum)—(8.967) . . .
1.270		SUPPORT ASSY.— BRACKET— CUSHION— FASTENER— INSULATOR— PLATE ASSY.— SEAL— SHIM— WASHER, Radiator Core			
<i>NOTE 1 It may be necessary to remove bracket assy. to provide clearance and to drill a 1" hole in bottom of assy. to provide for drain (using old support assy. as a guide).</i>					
63-65	Corvette (exc. C.A.C., 396)	3858963	1	41.70	(Note 2)
<i>NOTE 2 When rad. support asm. 3858963 is used in place of 3874760, bracket asm. 3797221 must also be used.</i>					
65	Corvette (396)	3873736	1	42.80	
66-67	Corvette (327)	3894595	1	40.75	
66-67	Corvette (427)	3894597	1	40.75	
68	Corvette (exc. H.D. 427)	3938995	1	40.10	rad.
68	Corvette w/H.D. (427)	3938090	1	43.40	rad.
69	Corvette (exc. C.A.C., T.H. 400, 427),				
70	Corvette w/3-Spd. (exc. C.A.C., H/Per. 350, 454),				
71-72	Corvette w/4-Spd. (350) (exc. C.A.C., Sp. H/Per.)	3966591	1	42.80	
69	Corvette w/T.H. 400 (exc. H/Per., Sp. H/Per., H.D., 427),				
69	Corvette w/C.A.C. (exc. T.H. 400, 427 H/Per.),				
70	Corvette w/C.A.C. (350) (exc. H/Per., A.T.),				
70	Corvette w/H/Per. (350),				
70-72	Corvette w/A.T. (exc. 454),				
70-72	Corvette w/Sp. H/Per. (350) (exc. H.D. 4-Spd.),				
71-72	Corvette w/C.A.C. (350) (exc. A.T.)	3966594	1	42.80	
69	Corvette w/H.D. (427),				
70-72	Corvette (H.D. 4-Spd. w/Sp. H/Per.) (350),				
70-71	Corvette w/H.D. Rad.	3966597	1	49.75	
69	Corvette w/H/Per., Sp. H/Per. (427),				
70-72	Corvette (454) (exc. H.D. Rad.),				
73-76	Corvette	339176	1	40.20	(Note 5)
<i>NOTE 5: It may be necessary to add two 1/4" holes for attaching upper rad. fan shroud.</i>					
61-62	Corvette	3786782	1	2.75	BRACKET , rad. support upper
73-76	Corvette	327642	2	1.12	BRACKET , rad. supt. mtg. intermediate
63-65	Corvette (1st design) (exc. 396)	3797221	1	.85	BRACKET ASSY. , rad. support upper (rounded edges)
65	Corvette (396)	3873748	1	1.12	BRACKET ASSY. , rad. support upper
65	Corvette (2nd design) (exc. 396)	3874765	1	.70	BRACKET ASSY. , upper (flat edges)
66-68	Corvette (427) (exc. H.D.)	3886878	R.H.	1.59	BRACKET ASSY. , upper R.H.
66-68	Corvette (427) (exc. H.D.)	3886877	L.H.	1.59	BRACKET ASSY. , upper L.H.
66-67	Corvette (327)	3880085	1	1.92	BRACKET ASSY. , upper
68	Corvette (exc. 427)	3914351	1	1.18	BRACKET ASSY. , rad. upper support
69	Corvette (exc. H/Per., Sp. H/Per. 427),				
70	Corvette (350) (exc. C.A.C., A.T., Perf. Susp.),				
71-72	Corvette (exc. C.A.C., A.T., H/Per. 454),				
71-72	Corvette (Perf. Susp. w/Sp. H/Per.) (350),				
71	Corvette w/H.D. Rad. (exc. Sp. H/Per. 454)	3966657	1	1.29	BRACKET ASSY. , upper support

COOLANT—GRILLE—OIL SYSTEM

**1.270 SUPPORT ASSY.— BRACKET— CUSHION— FASTENER— INSULATOR—
PLATE ASSY.— SEAL— SHIM— WASHER, Radiator Core (Con't)**

53-62	Corvette	367314	A.R.	.26	CUSHION, rad. supt. (1 1/2" x 4 x 3/16" thick)
63-72	Corvette	3797412	1	.18	CUSHION, upper
69-72	Corvette (350) (exc. A.T., C.A.C.)	3692752	4	.06	FASTENER, rad. support side seal ret.— (15.280)
69-76	Corvette	3966532	A.R.	.15	FASTENER, rad. support seal
66-67	Corvette (427) (exc. H.D.),				
68	Corvette,				
69	Corvette w/C.A.C., T.H. 400, H/Per., Sp. H/Per. (427)				INSULATOR, lower support bracket,
70	Corvette w/C.A.C. (350) (exc. H/Per., A.T.),				
70	Corvette w/H/Per. (350),				
70-72	Corvette (454) (exc. H.D.),				
70-72	Corvette w/A.T. (350),				
71-72	Corvette w/C.A.C. (350) (exc. A.T.),				
73-76	Corvette	3886891	4	.34	rad. support
69-70	Corvette w/C.A.C. (350) (exc. H/Per., A.T.),				
69-72	Corvette w/A.T. (350),				
70	Corvette w/H/Per. (350),				
71-72	Corvette w/C.A.C. (350) (exc. A.T.)	3952974	R.H.	2.65	PLATE ASSY., right side
69	Corvette w/H/Per. Sp. H/Per. (427) (exc. C.A.C.),				
70-72	Corvette (454) (exc. H.D. Rad.),				
73-76	Corvette	3952976	R.H.	1.78	PLATE ASSY., right side
69	Corvette w/C.A.C., H/Per., Sp. H/Per. (427),				
69-72	Corvette w/A.T. (350),				
70	Corvette w/H/Per. (350, 454),				
70	Corvette w/C.A.C. (350) (exc. H/Per., A.T.),				
71-72	Corvette (454) (exc. H.D. Rad.),				
71-72	Corvette w/C.A.C. (350) (exc. A.T.),				
73-76	Corvette	3952977	L.H.	1.78	PLATE ASSY., left side
67	Corvette w/C.A.C. (427) (exc. Tri Carb.)	3938105	1	.32	SEAL, rad.
70-71	Corvette (H.D. 4-Spd. w/Sp. H/Per.) (350),				
70-71	Corvette (454) (exc. H.D. Rad.),				
72	Corvette (454)	6263548	1	7.10	SEAL, rad. supt. to hood
75	Corvette (exc. C.A.C.)	347910	1	7.10	SEAL, rad. support upper
69-73	Corvette	3952926	4	.10	SHIM, rad. support lower
70-72	Corvette	1347774	2	.12	WASHER, rad. lower support— (12.981)

1.272 BAFFLE, Radiator Grille

58-62	Corvette	3740282	1	11.75	lower (plastic laminate)
68-69	Corvette (exc. 427)	3930127	1	1.68	upper
68-69	Corvette (427)	3930128	1	2.20	upper
68-70	Corvette	3919755	1	6.70	lower

1.274 SEAL— ROD ASSY., Radiator Grille Baffle

68-70	Corvette	3919753	1	.54	lwr. baffle front
68-70	Corvette	3919754	1	.32	lower baffle rear
68	Corvette w/C.A.C. 4BC	3938105	1	.32	front shroud (w/plastic shroud)
69	Corvette w/H.D. (427)	3958894	1	5.70	rad. supt. to hood
68-69	Corvette (exc. C.A.C., A.T., 427),				
70	Corvette (350) (exc. C.A.C., A.T., H/Per.),				
71-72	Corvette (350) (exc. C.A.C., A.T.)	3919756	1	.54	front shroud
68	Corvette w/H/Per., Sp. H/Per. (427) (exc. C.A.C.),				
68-69	Corvette w/C.A.C. (exc. 427),				
68-71	Corvette w/A.T. (exc. 427, 454)	3919763	1	.32	front shroud (w/metal shroud)
68-69	Corvette,				
70	Corvette w/3-Spd. (350) (exc. C.A.C.),				
71-72	Corvette (350) (exc. C.A.C., A.T., Sp. H/Per.)	3919772	1	1.35	side shroud
68-69	Corvette (exc. 427, 454),				
70-71	Corvette (350) (exc. H.D. 4-Spd.)	3919739	1	1.20	upper baffle
68	Corvette (427) (exc. H.D.)	3919740	1	1.20	upper baffle

COOLANT—GRILLE—OIL SYSTEM

1.274 SEAL—ROD ASSY., Radiator Grille Baffle (Con't)

68-69	Corvette w/H.D. (427)	3934169	1	2.45	upper baffle
66-67	Corvette w/C.A.C.,				
68	Corvette	3889476	1	1.00	rad. support lower
66-67	Corvette w/C.A.C.	3901941	1	1.95	rad. support upper
68-69	Corvette	3919756	1	.54	rad. support to frt. c/mbr.
68	Corvette (exc. 427)	3938105	2	.32	supt. to rad. upper
68	Corvette (exc. 427)	3921594	2	1.00	supt. to rad. side
68-69	Corvette (exc. H.D. 4-Spd., 427)	3966387	1	5.70	rad. supt. to hood
69	Corvette (427) (exc. H.D., A.T., C.A.C.),				
70-71	Corvette				SEAL , upper, lower side R.H. and L.H. rad. support,
72	Corvette (454)				upr.
73-74	Corvette (454) (exc. C.A.C.),				
73-74	Corvette (350)				rad. fan shrd. lwr. side rad. supt. upr. lwr. side,
75-76	Corvette	334786	A.R.	1.58	rad. supt. upper (cut to size and add holes as reqd.)
70-71	Corvette (350) (exc. H.D. 4-Spd.),				
72-75	Corvette	331871	1	5.65	SEAL ASSY. , rad. supt. to hood
63-65	Corvette,				
67	Corvette w/H.D. (427)	3830915	L.H.	1.70	ROD ASSY. , headlamp opening body inner end brace, L.H.
63-65	Corvette,				
67	Corvette w/H.D. (427)	3830916	R.H.	1.70	ROD ASSY. , headlamp opening body inner end brace, R.H.
66-67	Corvette (exc. H.D. 427)	3886882	R.H.	1.65	ROD ASSY. , headlamp opening body inner end brace R.H.
66-67	Corvette (exc. H.D. 427)	3886881	L.H.	1.65	ROD ASSY. , headlamp opening body inner end brace L.H.

1.276 NUT—RETAINER, Radiator Grille and Engine Baffle Attaching

68-76	Corvette w/C.A.C.	3915336	4	.20	rad. shroud
68-72	Corvette	3932907	1	5.30	RETAINER , rad. grille lower panel seal

1.277 SHROUD—BRACKET—EXTENSION—REINFORCEMENT—RING—SUPPORT, Radiator Fan

55-62	Corvette	3770284	1	14.00	upper (round)
55-62	Corvette	3770287	L.H.	3.31	lower left
55-62	Corvette	3770288	R.H.	4.25	lower right
63-65	Corvette (exc. 396)	3829723	1	18.25	(complete)
65	Corvette (396)	3872995	L.H.	18.95	left (plastic) (round)
65	Corvette (396)	3872996	R.H.	18.95	right (plastic) (round)
66-68	Corvette (427),				
68	Corvette w/C.A.C., T.H. (exc. 427),				
68	Corvette w/A.T. (exc. C.A.C.),				
70	Corvette w/A.T. (350),				
70	Corvette w/3-Spd. (350) (exc. H/Per., 454),				
71	Corvette w/A.T. (350) (exc. C.A.C.)	3938940	1	42.00	(plastic)
66-67	Corvette (327)	3886885	L.H.	16.50	left (plastic)
66-67	Corvette (327)	3886886	R.H.	16.50	right (plastic)
66-67	Corvette (327)	3888268	1	12.50	upper (plastic)
68-69	Corvette (exc. C.A.C., A.T., 427),				
70	Corvette w/3-Spd. (350) (exc. H/Per., C.A.C.),				
71-72	Corvette (350) (exc. A.T., C.A.C., Sp. H/Per.)	3938943	1	19.95	(metal)
69	Corvette w/C.A.C. (exc. 427 H/Per.),				
70-72	Corvette w/A.T. (350),				
70	Corvette w/C.A.C. (350) (exc. H/Per., A.T.),				
70	Corvette w/H/Per. (350),				
70	Corvette (4-Spd. w/Sp. H/Per.) (350) (exc. H.D. 4-Spd.),				
71-72	Corvette w/C.A.C. (350) (exc. A.T.),				
71-72	Corvette w/Sp. H/Per. (350) (exc. H.D., 4-Spd.),				
71	Corvette w/H.D. Rad.	3956109	1	43.50	(plastic)
69	Corvette w/C.A.C., H/Per., Sp. H/Per. (427),				

COOLANT—GRILLE—OIL SYSTEM

1.277 SHROUD— BRACKET— EXTENSION— REINFORCEMENT— RING— SUPPORT, Radiator Fan (Con't)

70-72	Corvette (454) (exc. C.A.C., H.D. Rad.)	3956119	1	43.50	(plastic)
73-75	Corvette	339175	1	13.95	(Note 2)
<i>NOTE 2: It may be necessary to add two holes for attaching to upper shroud mounting bracket, and relocate upper mounting bracket forward and drill two new holes for attaching bracket.</i>					
68	Corvette	3935570	1	.45	BRACKET, shroud support
70-72	Corvette (350) (exc. Sp. H/Per., C.A.C., A.T.)	3974661	L.H.	5.10	BRACKET, shroud, L.H.
70-72	Corvette (350) (exc. C.A.C., A.T.)	3974662	R.H.	7.35	BRACKET, shroud, R.H.
69-76	Corvette	339177	L.H.	1.75	BRACKET, fan shroud upper supt.
69-76	Corvette	339178	R.H.	1.75	BRACKET, fan shroud upper supt.
66-67	Corvette (427)	3886868	1	3.40	BRACKET ASSY., support to fan shroud
68-69	Corvette	3919751	1	.95	BRACKET ASSY., upper baffle support
68	Corvette w/C.A.C. (exc. 427 H/Per.)	3942740	1	28.50	EXTENSION, shroud upper (Note 1)
68	Corvette w/C.A.C. (exc. 427 H/Per.)	3942743	1	22.70	EXTENSION, shroud lower (Note 1)
<i>NOTE 1 Use with plastic shroud.</i>					
70	Corvette (4-Spd. w/Sp. H/Per.) (350) (exc. H.D. 4-Spd.)				
70	Corvette w/C.A.C. (350) (exc. H/Per., A.T.)				
70-71	Corvette w/H/Per. (350)				
70-72	Corvette w/A.T. (350)				
71-72	Corvette w/Sp. H/Per. (350) (exc. H.D. Rad.)				
71-72	Corvette w/C.A.C. (350) (exc. A.T.)				
71	Corvette w/H.D. Rad.	3956118	1	28.75	EXTENSION, shroud
70-72	Corvette (454) (exc. C.A.C., H.D. Rad.)	3956089	1	30.50	EXTENSION ASSY., shroud
70-72	Corvette w/C.A.C. (454)				
73-74	Corvette (454)	336152	1	13.50	EXTENSION ASSY., shroud
73-75	Corvette (350)	331870	1	28.75	EXTENSION ASSY., shroud
68-69	Corvette	3919746	2	.16	REINFORCEMENT, side shrd. lower support
66-67	Corvette w/C.A.C. (427)				
68	Corvette (427) (exc. H.D.)	3887428	1	10.10	RING, shroud
68-71	Corvette (exc. H.D. 427)				
72	Corvette (350)	3919745	2	3.20	SUPPORT, side shrd. lower
68-69	Corvette (exc. H.D. 427)	3919752	1	.67	SUPPORT, shroud upper

1.287 EXTENSION— BRACKET— REINFORCEMENT— ROD— SHIELD— SEAL, Radiator and Grille Filler

68-72	Corvette	3974013	1	11.40	rad. grille lower panel
73-76	Corvette	327895	1	10.20	rad. grille lower panel
73-74	Corvette w/C.A.C. (454)	336178	1	2.34	grille lower panel extension, extension
64-67	Corvette	3846937	L.H.	.87	BRACKET, underbody splash shield, L.H.
68-76	Corvette	3976514	2	.15	BRACKET, underbody splash shield
69-72	Corvette	3840474	2	1.21	BRACKET ASSY., underbody splash shield— (8.857)
73-74	Corvette w/C.A.C. (454)	336177	2	.78	REINFORCEMENT, lower panel ext.
65	Corvette	3866468	1	.90	ROD
66-67	Corvette	3897387	1	.84	ROD, rad. grille support
69-72	Corvette	3974016	1	1.08	ROD, support to front fender upper (Note 3)
73-76	Corvette	331841	1	1.08	ROD, rad. supt. to frt. fender upr.
<i>NOTE 3 Shim as required.</i>					
64-68	Corvette	3846935	L.H.	1.08	SHIELD, underbody splash, L.H.
64-68	Corvette	3922440	R.H.	1.92	SHIELD, underbody splash, R.H.
68-70	Corvette	3958019	A.R.	2.35	SHIELD, underbody insulation (Note 1)
<i>NOTE 1 On 1969 model, when using 3958019 in place of 3958074 cut as required.</i>					
68	Corvette,				
69	Corvette (exc. C.A.C.)	3963112	1	1.65	SHIELD, right, underbody splash (Note 2)
<i>NOTE 2 When using 3963112 in place of 3947978 cut as required for exhaust pipe clearance.</i>					
69-76	Corvette	6263551	L.H.	1.71	SHIELD, left underbody splash
70-72	Corvette,				
73-76	Corvette (exc. C.A.C.)	6263552	R.H.	1.71	SHIELD, right underbody splash
69-76	Corvette w/C.A.C.	6263554	R.H.	3.14	SHIELD ASSY., underbody splash
68-72	Corvette	3932904	1	.67	SEAL, grille lower panel

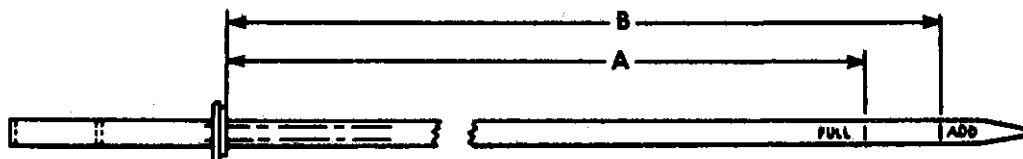
1.303 EMBLEM, Radiator Grille (Also see Group 8.055)

65-66	Corvette	3872929	1	4.25	body front
67	Corvette	3894544	1	4.25	body front
68-72	Corvette	3912706	1	4.25	crossed flags
73-74	Corvette	6259672	1	6.05	EMBLEM UNIT, body front w/nuts

COOLANT—GRILLE—OIL SYSTEM

1.303 EMBLEM, Radiator Grille (Also see Group 8.055) (Con't)				
75	Corvette	358738	1	7.95 EMBLEM UNIT, body front
1.426 PAN ASSY.— PAN UNIT, Oil				
56	Corvette	3794060	1	35.15
57-62	Corvette	3789629	1	31.60 (5 qt. cap.) (18" holes)
63-65	Corvette (exc. F.I., Sp. H/Per., w/mech. lifters),			
66-68	Corvette (327),			
69	Corvette (350) (exc. Sp. H/Per.),			
70-72	Corvette (350) (exc. Sp. H/Per.),			
72	Corvette w/Sp. H/Per. (350) (exc. Hvy. Duty 4-Spd.),			
73-75	Corvette (350)	3820000	1	36.25
63-65	Corvette (F.I., Sp. H/Per., w/mech. lifters) (exc. 396),			
69-71	Corvette w/Sp. H/Per. (350),			
72	Corvette (H.D. 4-Spd. w/Sp. H/Per.) (350)	3956670	1	37.25
65-74	Corvette (396, 427, 454)	3977591	1	39.75 PAN UNIT
1.428 BOLT— SCREW, Oil Pan Attaching, with Lockwasher				
53-73	Corvette	180075	4	(⁵ / ₁₆ "— 18 x ⁵ / ₈ ")— (8.900)
66-72	Corvette (396, 427)	3856691	1	.05 SCREW, w/lockwasher (¹ / ₄ "— 20 x ⁵ / ₈ ") front center hole
1.429 GASKET UNIT— SEAL, Oil Pan				
53-55	Corvette (6 cyl.)	604338	1	1.75 (left and right gaskets and seals)
55-56	Corvette (8 cyl.)	3730460	1	3.95 (2 L.H. and 1 R.H. gasket, 3 exh. manifold gaskets, 1 frt. and rear seal and 1 exh. pipe packing)
56-67	Corvette (265, 283, 327)			(left and right sides only),
68-75	Corvette (327, 350)	3931599	1	1.60 side
57-74	Corvette (8 cyl.) (exc. 396, 427, 454)	3931597	1	4.15 (includes side gaskets, seals and packing) (Note 1)
<i>NOTE 1 When using on H/Per. (327) models, use (2) 3767556 exhaust pipe packing.</i>				
65-70	Corvette (396, 427, 454),			
74	Corvette (454)	3958614	1	4.40
65-73	Corvette (396, 427, 454)	3931593	1	3.60 side
75	Corvette	359936	1	4.55
55-68	Corvette (8 cyl.) (exc. 396, 427),			
69-74	Corvette (350),			
75	Corvette	3887151	1	.58 Seal, front
55-74	Corvette (8 cyl.) (exc. 396, 427, 454),			
75	Corvette	3887152	1	.77 SEAL, rear
65-70	Corvette (396, 427, 454),			
72-74	Corvette (454)	3909800	1	1.10 SEAL, front
65-74	Corvette (396, 427, 454)	3955115	1	1.10 SEAL, rear
1.430 BAFFLE, Oil Pan Upper				
60-61	Corvette (4BC, F.I., w/H.L. Cam),			
62-65	Corvette w/F.I., Sp. H/Per. w/Mech. Lifters,			
69	Corvette w/Sp. H/Per. (350)	3769768	1	1.60
65-74	Corvette (396, 427, 454)	3967854	1	2.18
70-72	Corvette (Sp. H/Per. w/4-Spd.) (350) (exc. H.D. 4-Spd.),			
73-75	Corvette w/Sp. H/Per. (350)	3989075	1	2.93
1.453 FLANGE— PLUG— SCREW, Oil Pan Drain				
53-57	Corvette,			
62-65	Corvette (exc. 396),			
66-67	Corvette w/P.G.,			
70	Corvette w/Sp. H/Per. (350),			
71	Corvette w/4-Spd. (350),			
71-74	Corvette (454)	3723008	1	.31 (¹³ / ₈ " x ⁷ / ₈ " w/ ¹ / ₂ "— 20 hole in ctr.)
53-70	Corvette w/magnetic drain plug	3866776	1	1.23 PLUG (¹ / ₂ "— 20)
53-75	Corvette	3923420	A.R.	.33 SCREW (Non-Magnetic) (¹ / ₂ "— 20 x ¹³ / ₁₆ ")
1.456 GASKET, Oil Pan Drain Screw				
53-75	Corvette	3921989	A.R.	.18 (nylon ¹ / ₂ " I.D. x ²⁹ / ₃₂ " O.D.)

1.516 GAUGE— TUBE, Oil Level



OIL GAUGE STICK IDENTIFICATION

		Dimensions			
		A	B		
53-55	Corvette (6 cyl.)	13 ⁵ / ₁₆	13 ¹³ / ₁₆	3701556	1
55	Corvette (8 cyl.)	17 ¹³ / ₁₆	19 ³ / ₆₄	3717868	1
56-57	Corvette	19 ²¹ / ₆₄	20 ⁷ / ₁₆	3722959	1
58-64	Corvette	19 ³ / ₁₆	20	3846810	1
65-66	Corvette w/Sp. H/Per., F.I. (exc. 427)				
65-74	Corvette (327, 350) (exc. F.I.)	20 ⁵ / ₃₂	20 ⁵⁹ / ₆₄	3862730	1
65-74	Corvette (396, 427, 454)	23 ¹⁹ / ₆₄	24	3981088 ⁽¹⁾	1
75-76	Corvette	17 ⁵ / ₁₆	18 ³ / ₁₆	3951576	1

NOTE 1 Must be used with tube 3981089 only.

TUBE, Oil Level

53-55	Corvette (6 cyl.)	3828073	1	.43	
56	Corvette (1st design)	3718206	1	1.38	(14 1/2" O.L.) w/clamp (oil pan mtd.)
56-68	Corvette (2nd design) (exc. 396, 427)				
69-70	Corvette (327, 350)				
73-74	Corvette (350)				
75-76	Corvette	3951600	1	.58	lower
56	Corvette (2nd design)				
57-64	Corvette	3732488	1	.58	upper (8 1/2" O.L.) (curved)
65-74	Corvette (327, 350)	3865664	1	.70	upper
65-74	Corvette (396, 427, 454)	3981089	1	4.79	(Note 1)
75-76	Corvette	3876870	1	.58	upper

NOTE 1 When using 3981089 in place of 3870324, 3981088 gauge must be used.

1.519 PIPE, Oil

NOTE 1. Bulk copper tubing in coils listed in Group 8.964, fittings in Group 8.963.

NOTE 2. See Group 1.531 for rocker arm oil pipe and connector.

NOTE 3. For all other models with Oil Pressure Gauge cut from pipe listed in Group 8.964.

1.531 ADAPTER— NUT— PLUG, Fittings Oil Pipe (Also See Group 8.963)

OIL PIPE

68-72	Corvette	3906194	1	.17	oil press. gauge hose conn. at eng.
70-72	Corvette (427, 454)	3909520	1	.11	NUT, oil pressure gauge hose connector
53-61	Corvette (6 cyl.)	3835577	A.R.	.11	PLUG, block main oil gallery frt. hole— (0.034)
55-75	Corvette (8 cyl.) (exc. 396, 427, 454)	3701638	A.R.	.11	PLUG, oil pressure and tappet gallery, cyl. and case oil gallery hole at frt. end and oil filter cavity (1/2" dia.— cup shape)

1.531A CONNECTOR— WASHER, Fittings Valve Rocker Arm Shaft Oil (Also see Group 8.963)

53-58	Corvette (6 cyl.)	3836566	1	2.51	w/pipe (no center pin)
-------	-------------------	---------	---	------	------------------------

COOLANT—GRILLE—OIL SYSTEM

1.531A CONNECTOR— WASHER, Fittings Valve Rocker Arm Shaft Oil (Also see Group 8.963) (Con't)

53-62 Corvette (6 cyl.) **839270** 2 .10 **WASHER** (1¹³/₁₆" I.D. x 1⁵/₁₆" O.D.)

1.609 RETAINER— SPRING— VALVE, Oil Pump

53-63 Corvette,
65-74 Corvette (396, 427, 454) **3701564** 1 .06 pressure regulator, valve spring (7⁷/₁₆" O.D.)
55-61 Corvette (8 cyl.) **3835896** 1 .15 **SPRING**, pressure reg. valve (6⁵/₁₆" O.D. x 2¹¹/₁₆" O.L.)

62 Corvette (283, 327),
63 Corvette (1st design),
65 Corvette (exc. F.I., Sp. H/Per. w/Mech. Lifters),
66-72 Corvette (327, 350) (exc. Sp. H/Per.),
73-75 Corvette (350) **3814903 A.R.** .15 **SPRING**, pressure regulator valve (21 coils— 2⁷/₃₂" free length)

63-64 Corvette (2nd design),
65 Corvette (F.I., Sp. H/Per. w/Mech. Lifters) (exc. 396),
69-72 Corvette w/Sp. H/Per. (350) ... **3848911** 1 .35 **SPRING**, pressure regulator valve (21 coils) (stripe of white)

65 Corvette (396),
66-69 Corvette w/Sp. H/Per., H.D., AL. Cyl. and Case (427),
71 Corvette w/Sp. H/Per. (454) ... **3876866** 1 .15 **SPRING**, pressure regulator valve (24 coils, 5⁵/₁₆" O.D. x 2⁷/₁₆" free length) (Stripe of Lt. Green)

66-74 Corvette (396, 427, 454) (exc. Sp. H/Per., 3/2BC, H.D., AL. Cyl. and Case) **3860378** 1 .15 **SPRING**, pressure regulator valve (2⁷/₆₄" O.D. x 2¹/₂" free length)

53-70 Corvette (exc. 396, 427, 454),
73-75 Corvette (350) **3702366** 1 .54 **VALVE**, pressure regulator (1¹/₃₂" I.D. x 7⁷/₁₆" O.D. x 1³/₁₆" 16" O.L.)

65-74 Corvette (396, 427, 454) **3860377** 1 .59 **VALVE**, pressure regulator (1⁴⁹/₆₄" O.L. x 7⁷/₁₆" O.D.)

1.639 PIN— RETAINER— SHAFT— SLEEVE, Oil Pump Shaft

55-59 Corvette (8 cyl.) **142485** 1 .06 groove (1¹/₈" x 5⁵/₈")— (8.940)

65 Corvette w/Sp. H/Per. (396),
66-71 Corvette w/Sp. H/Per., H.D., AL. Cyl. and Case (427, 454) **3877674** 1 .10 dist. to oil pump inter. sleeve retainer
All All **838839** 1 .05 **PIN**, special groove

59-74 Corvette (8 cyl.) (exc. 396, 427, 454),
65-74 Corvette (396, 427, 454) (exc. Sp. H/Per., H.D.) **3764554** 1 .10 **RETAINER**, dist. to pump inter. shaft (Note 1)

58-59 Corvette (283) **3739826** 1 2.63 **SHAFT**, dist. to pump, w/sleeve— (2.372) ..

59-69 Corvette (283, 307, 327, 350),
73 Corvette (350) **3998287** 1 2.56 **SHAFT**, dist. to pump inter.— (2.372) (Note 1)

65-69 Corvette (396, 427) (exc. Sp. H/Per., H.D. Al. Cyl. and Case),
70-71 Corvette (454) (exc. Sp. H/Per.) . **3998289** 1 2.09 **SHAFT UNIT**, w/retainer, dist. to oil pump inter.— (2.372)

65-70 Corvette w/Sp. H/Per., H.D. (396, 427),
71 Corvette w/Sp. H/Per. (454) ... **3865886** 1 3.35 **SHAFT UNIT**, w/retainer, dist. to oil pump inter.— (2.372)

58-59 Corvette (8 cyl.),
65-71 Corvette w/Sp. H/Per., H.D., AL. Cyl. and Case (396, 427, 454) **3877672** 1 .95 **SLEEVE**, dist. to oil pump inter. shaft

NOTE 1 For use with pump having retainer ring groove.

1.652 PUMP ASSEMBLY— PUMP UNIT— BOLT— SCREW— STUD, Oil

59-63 Corvette (1st design),
65 Corvette (327) (exc. F.I., Sp. H/Per. w/Mech. Lifters),
66-69 Corvette (327, 350),
70-72 Corvette (350) (exc. Sp. H/Per.),
73-75 Corvette (350) **3764547** 1 19.75

63-64 Corvette (2nd design),
65 Corvette w/F.I., Sp. H/Per. w/Mech. Lifters (327),

COOLANT—GRILLE—OIL SYSTEM

1.652 PUMP ASSEMBLY— PUMP UNIT— BOLT— SCREW— STUD, Oil (Con't)

70-72	Corvette w/Sp. H/Per. (350) . . .	3848907	1	23.75	
65	Corvette w/Sp. H/Per. (396, 427),				
66-69	Corvette w/Sp. H/Per. (427),				
71	Corvette w/Sp. H/Per. (454) . . .	3904826	1	23.10	(w/mechanical cam) w/o screen
66	Corvette (427) (exc. Sp. H/Per., H.D.),				
67-71	Corvette (396, 427, 454) (exc. 3/2BC, Sp. H/Per., H.D., AL. Cyl. and Case),				
72-74	Corvette (454)	3904827	1	20.10	
67-69	Corvette w/H.D. (427),				
71	Corvette w/Sp. H/Per. (454) . . .	3964259	1	27.00	w/screen
69	Corvette w/AL. Cyl. and Case (427)	3969670	1	29.10	w/screen
55-58	Corvette (8 cyl.)	3755420	1	25.30	PUMP UNIT (cast 3704180 on cover) (Note 1)

NOTE 1 Includes pump assy., screen assy., intermediate shaft and retainer. When installing on models with (348) engine discard the intermediate shaft and use old shaft.

55-62	Corvette (8 cyl.)	3754998	1	.22	BOLT (7/16" — 14 x 2 3/16" — hex. lock)
67-75	Corvette (327, 350)	3892678	1	.20	BOLT , pump and screen (7/16" — 14 x 2)
53-62	Corvette (6 cyl.)	838172	1	.17	SCREW (7/16" — 14 x 1 3/8" O.L. — hex. hd.)
65-74	Corvette (396, 427, 454)	3866604	1	.63	STUD , pump and screen assy. (3 13/64" O.L.)

1.656 SCREEN, Oil Pump Intake

55-57	Corvette (8 cyl.)	3754942	1	2.24	(2" O.L.) w/suction pipe
58-62	Corvette	3764113	1	2.13	(Note 1)
<i>NOTE 1 For use with pump having retainer ring groove.</i>					
63-75	Corvette (327, 350)	3830080	1	2.13	(yellow stain on pipe near screen)
65-66	Corvette (396, 427)	3860366	1	2.13	
67-69	Corvette (427) (exc. H.D.),				
70-74	Corvette (454)	3955282	1	2.24	

1.723 COVER, Oil Pump

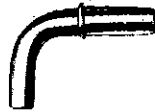
55-59	Corvette (8 cyl.),				
63	Corvette (1st design),				
65	Corvette (327) (exc. F.I., Sp. H/Per. w/Mech. lifters),				
66-69	Corvette (327),				
69	Corvette w/H/Per. (350),				
70-75	Corvette (350) (exc. Sp. H/Per.) . . .	3836980	1	4.77	
63	Corvette,				
64-65	Corvette (exc. 396),				
69-72	Corvette w/Sp. H/Per. (350) . . .	3848909	1	4.95	
65-68	Corvette (396, 427) (exc. H/Per.)	3906627	1	4.77	
67-74	Corvette (396, 427, 454) (exc. Sp. H/Per., 3/2BC, H.D., AL. Cyl. and Case)	3906628	1	4.77	

1.724 GASKET, Oil Pump Cover

53-62	Corvette (6 cyl.)	838451	1	.11	(3 9/16" x 2 5/8" overall)
--------------	-----------------------------	---------------	---	-----	--------------------------------------

COOLANT—GRILLE—OIL SYSTEM

1.745 CONNECTOR— ADAPTER ASSY.— ARRESTOR— GASKET— GROMMET— KIT— TEE— TUBE ASSY.— VALVE— VENTILATOR— WASHER, Crankcase



C



F



I



J



K



O

CONNECTORS (refer to illustration)

Part No.	Type	Dev. Length	Part No.	Type	Dev. Length
—	I	1 15/16	3856955	C	5 15/32
3829150	F	1 1/8	3859374	J	1 1/4
3849985	K	1 5/8	3868842	O	1 5/8
580826	K	1 13/16	3923260	O	3 1/4

62	Corvette w/closed vent (8 cyl.) . . .	5646190	1	1.32	ADAPTER ASSY. , vent valve (CV-214)
64-66	Corvette w/closed vent, A.I.R. (exc. F.I.),				
67-68	Corvette (327, 427) (exc. 3/2BC),				
69	Corvette,				
71-72	Corvette	3849856	1	.58	ARRESTOR , flame
64-65	Corvette w/F.I.,				
67	Corvette w/3/2BC (427)	3857476	1	1.07	ARRESTOR , flame c/case vent
53-71	Corvette	5646136	A.R.	.10	GASKET , vent. valve adapter bolt, vent. tube, hose adapter washer (CV-313) (15/64" I.D. x 5/32" O.D. x 1/16" thk.)
61-62	Corvette w/closed vent. (8 cyl.),				
64-66	Corvette (8 cyl.) (exc. 396, 427, A.I.R.),				
67	Corvette (283, 327)	3855582	1	.11	GASKET , vent. tube extension to manifold (1 17/64" I.D., 1 31/64" O.D.)
63	Corvette (8 cyl.)	3831671	1	.31	GROMMET , vent. hose connector (Note 1)
	<i>NOTE 1 Grommet 3831671 replaced grommet 3715628 and retainer 3727693.</i>				
65-67	Corvette (396, 427) (exc. Sp. H/Per.)				GROMMET , vent. valve,
66-67	Corvette w/Sp. H/Per. (427),				vent. pipe, vent. valve,
68-70	Corvette (427, 454)				(23/32" I.D. x 7/16" O.D.)
71-74	Corvette (454)	3989347	1	.20	GROMMET (15/16" I.D. x 1 7/32" O.D.)
65-71	Corvette	3894337	A.R.	.10	GROMMET , c/case vent.,
68-69	Corvette (exc. 396, 427)				
70-71	Corvette (350) (exc. H/Per., Sp. H/Per.),				
75	Corvette (350) (exc. H/Per.)	3989344	A.R.	.20	c/case vent. hose R.H. (23/32" I.D. x 1 7/32" O.D.)
69	Corvette (350),				
70-71	Corvette w/H/Per., Sp. H/Per. (350),				
71-72	Corvette,				
75-76	Corvette w/H/Per. (350)	3989348	A.R.	.31	GROMMET , c/case vent. hose
70-74	Corvette (350),				
75	Corvette (350) (exc. H/Per.)	3989350	A.R.	.31	GROMMET (23/32" I.D. x 1 3/16" O.D.)
58-62	Corvette (exc. F.I.)	6421987	1	8.45	KIT , positive vent. (CV-1)
58-60	Corvette (exc. F.I.)	6419926	1	4.27	KIT (use w/5645938)
70-71	Corvette w/E.E.C. (350)				TEE , c/case vent. hose,
73	Corvette (exc. Sp. H/Per.)	3970076	1	.90	evap. emission hose
64-67	Corvette	3989020	1	.54	TEE ASSY. , c/case vent. hose (5/8" — 18 pipe thds. one 3/8" hose)

COOLANT—GRILLE—OIL SYSTEM

1.745 CONNECTOR— ADAPTER ASSY.— ARRESTOR— GASKET— GROMMET— KIT— TEE— TUBE ASSY.— VALVE— VENTILATOR— WASHER, Crankcase (Con't)

64-65	Corvette w/P.G., All Weather Air Cond. (8 cyl.)	336015	1	.74	TEE ASSY., vac. inlet manifold (³ / ₈ "— 18 thds. and two ¹ / ₄ " hose take-offs)— (3.278)
55-62	Corvette (8 cyl.)	3711724	1	1.07	TUBE ASSY., filler w/bracket (6 ¹³ / ₃₂ " long)
63	Corvette (exc. Sp. H/Per., F.I.)	3828367	1	4.35	TUBE ASSY., filler
63	Corvette w/Sp. H/Per.	3834118	1	4.11	TUBE ASSY., filler (chrome)
63	Corvette w/F.I.	3834119	1	3.89	TUBE ASSY., filler (chrome)
64-65	Corvette w/Sp. H/Per., F.I. (327)	3846102	1	3.73	TUBE ASSY., filler
64-65	Corvette (exc. Sp. H/Per., F.I.)	3846123	1	3.63	TUBE ASSY., filler
66-67	Corvette (327) (exc. Sp. H/Per.)	3888356	1	2.74	TUBE ASSY., oil filler
66-67	Corvette w/Sp. H/Per. (327)	3888362	1	5.05	TUBE ASSY., oil filler (chrome)
68	Corvette (exc. 396, 427)	3923234	1	2.66	TUBE ASSY., oil filler
61-62	Corvette w/closed vent. (283)	6421785	1	2.00	VALVE, ventilator metering
62	Corvette w/closed vent. (8 cyl.) (exc. 283),				
63-64	Corvette (327) (1st design) (exc. 3/2BC)	6421934	1	2.08	VALVE ASSY., vent. (CV-590)
63-64	Corvette (427) (1st design) (exc. 3/2BC),				
66-67	Corvette (427) (1st design) (exc. 3/2BC),				
66-68	Corvette w/Sp. H/Per. (427) (2nd design),				
69-72	Corvette (8 cyl.) (exc. H.D. 427, 454, Sp. H/Per. 350)	6423695	1	2.08	VALVE ASSY., vent. (CV-736C)
66	Corvette (327)	6422721	1	2.90	VALVE ASSY., vent. (CV-726C)
68-70	Corvette w/H.D. (427),				
70-73	Corvette w/Sp. H/Per. (350)	6484525	1	2.00	VALVE ASSY., vent. (CV-746C)
73	Corvette (exc. Sp. H/Per.)	6487532	1	2.00	VALVE ASSY., c/case vent.
74-75	Corvette w/Sp. H/Per. (350)	6487945	1	2.33	VALVE ASSY., c/case vent.
74-75	Corvette (exc. Sp. H/Per.)	6487779	1	2.33	VALVE ASSY., c/case vent.
55-67	Corvette (265, 283, 327)	3728502	1	4.15	VENTILATOR (mtd. inside of engine— 5 ³ / ₄ " lg.)
59-67	Corvette	382105	1	.11	WASHER, vent. tube bracket (²⁵ / ₆₄ " I.D. x ³ / ₄ " O.D.)— (4.037)

1.750 BAFFLE— CLAMP, Crankcase Ventilator Tube

53-62	Corvette (6 cyl.)	3702766	1	.22	
53-73	Corvette	1470029 A.R.		.67	CLAMP, vent. hose worm adj. type (for ¹³ / ₁₆ " dia. hose)

1.758 CAP— GASKET, Oil Filler

53-55	Corvette (6 cyl.),				
65-67	Corvette (396, 427),				
69-74	Corvette (350),				
75	Corvette (exc. Sp. H/Per.)	3835665	1	.78	w/gasket (on r/arm cover) (plain finish)
55	Corvette (8 cyl.)	6419440	1	2.11	(air breather type FB8)
<i>NOTE 1 Vent. holes can be added for normal road operation as required or painted cap 1552233 can be used for this application to control oil consumption.</i>					
66	Corvette (327) (exc. Sp. H/Per.),				
63-65	Corvette (exc. 396)	3828373	1	1.50	(chrome)
71-74	Corvette (454)	3980273	1	.65	
66-67	Corvette w/Sp. H/Per. (327)	3882864	1	1.25	CAP ASSY.
67-68	Corvette	3881834	1	.95	CAP ASSY.
68-70	Corvette (427, 454),				
69-75	Corvette w/H/Per., Sp. H/Per. (350)	3851735	1	1.25	CAP ASSY. (chrome)
63-65	Corvette	3723688	1	.11	GASKET (1 ¹ / ₁₆ " I.D. x 1 ¹¹ / ₁₆ " O.D.-cork)

1.762 TUBE— BRACKET— CLIP— HOSE— PIPE, Crankcase Ventilator— Outer

56-58	Corvette (8 cyl.) (exc. T.G.,),				
59	Corvette (1st design)	3749684	1	3.85	w/elbow extension (26 dev. length)
59-60	Corvette (2nd design),				
61-62	Corvette (283, 327) (exc. closed vent.)	3776635	1	3.93	(Note 1)
<i>NOTE 1 It may be necessary to cut 6¹/₂" from lower end to tube assy.</i>					
64-65	Corvette (exc. Sp. H/Per., F.I.)	3846110	1	6.70	vent. to air cleaner
64-67	Corvette w/Sp. H/Per. (327)	3849733	1	6.25	vent. to air cleaner
66-67	Corvette (327) (exc. Sp. H/Per.)	3902402	1	4.96	vent. to air cleaner
64-69	Corvette	3877445	1	.11	CLIP (1 ¹ / ₁₆ ")
67	Corvette w/Sp. H/Per. (427)	3902350	1	1.71	HOSE, vent to A/CL
68-72	Corvette (exc. 427, 454)	3932336	1	2.13	HOSE, c/case vent. A/CL to rocker cvr. (Note 2)

COOLANT—GRILLE—OIL SYSTEM

1.762 TUBE— BRACKET— CLIP— HOSE— PIPE, Crankcase Ventilator— Outer (Con't)

NOTE 2 It may be necessary to cut 1" from 1 1/8" end.

68	Corvette w/3/2BC, Sp. H/Per. (427)	3880362	1	2.18	HOSE , c/case vent to A/CL
68-72	Corvette (427, 454) (exc. 3/2BC, Sp. H/Per., H.D.)	3916380	1	1.71	HOSE , c/case vent. to A/CL
73-75	Corvette	3905067	1	3.75	HOSE , c/case vent. to a/cl.— (3.675)
73-75	Corvette (350)	330534	1	2.03	PIPE , c/case vent.
73-74	Corvette (454)	330523	1	2.03	PIPE , c/case vent.
76	Corvette	3970072	1	.70	PIPE , c/case vent.

1.800 FITTING— SENDER, Oil Pressure (See group 9.748 for tell tale windows)

68-72	Corvette	6461492	1	2.61	oil pressure gauge adapter
73-75	Corvette	6462137	1	22.92	SENDER , oil pressure

1.803 GAUGE— BRACKET— BUSHING— ELBOW— HOSE— PIPE ASSY., Oil Pressure

65-67	Corvette w/Sp. H/Per., F.I. (exc. Hyd. lifters)	5654626	1	14.95	(0 to 80 lbs.)
65	Corvette (exc. Sp. H/Per., F.I.)				
65-67	Corvette w/Hyd. lifters	5654906	1	16.80	(0 to 60 lbs.)
68-73	Corvette	6462928	1	17.86	
74	Corvette	6464081	1	11.68	
75	Corvette	6464285	1	10.20	w/resistor
70-72	Corvette (454)	3954228	1	.20	BRACKET , gauge pipe
74-75	Corvette (350)	6258296	1	2.03	BUSHING , oil pressure sender ext.
69-72	Corvette (396, 427, 454) (exc. Sp. H/Per., H.D.)	3954219	1	1.18	ELBOW , switch
69-71	Corvette w/Sp. H/Per., H.D. (427, 454)	3954220	1	2.59	ELBOW , switch
68-72	Corvette,				
73	Corvette (350)	6258269	1	3.06	ELBOW , sender
73	Corvette (350)	3906192	1	1.30	HOSE (5/64" I.D. x 1/8" O.D. w/3/16" — 24 int. thread nut, ea. end) (black nylon)
70-72	Corvette (454)	3961560	1	2.23	PIPE ASSY. , gauge

1.835 FILTER UNIT, Oil (See group 3.163 for flexible pipes)

56-67	Corvette (8 cyl.)	5574538	1	13.57	(AC type PM-16) (1 qt. cap)
--------------	-------------------------	----------------	---	-------	-----------------------------------

IMPORTANT By-pass plug over front lower case connection must be driven in 5/8" when full flow oil filter is used. Must be flush when by-pass type or no filter is used.

1.836 ELEMENT, Oil Filter

55	Corvette (8 cyl.)	5572288	1	3.84	(AC-P-115) type SC-353 (1 qt. cap.)
56-57	Corvette (8 cyl.)	5573976	1	4.05	(AC-PF-131) (1 qt. cap.)
58-67	Corvette (8 cyl.)	5574540	1	3.98	(AC-PF-141) (PM-16-1) (1 qt. cap) (fleet pack) (replaceable element)
68-75	Corvette	6438261	1	5.39	(AC type PF-25) (one piece throw-away) (1 pint cap) (Note 1)

NOTE 1 Some 1968 models used 1967 engines, refer to Note No. 4 in Group 0.033.

55	Corvette (8 cyl.)	5576139	1	2.45	ELEMENT ASSY. (fleet pack) (type 12-115) (Note 2)
-----------	-------------------------	----------------	---	------	--

NOTE 2 Consists of 12 single elements 5572288.

58-67	Corvette (8 cyl.)	5576054	1	3.17	ELEMENT ASSY. (fleet pack) (type 12-141) (Note 3)
--------------	-------------------------	----------------	---	------	--

NOTE 3 Consists of 12 single elements 5574540.

1.837 VALVE ASSY.— BODY, Oil Filter

56-67	Corvette (8 cyl.)	5573979	1	2.59	by pass (1 qt. cap)
69-70	Corvette w/AL. Cyl. and Case (427)	5575416	1	1.57	by pass
56-67	Corvette (8 cyl.)	5574535	1	7.09	BODY , w/stud (1 qt. cap)

1.840 ADAPTER ASSY.— BOLT, Oil Filter

68-75	Corvette (8 cyl.) (exc. Alum. Cyl. and Case)	3952301	1	2.90	w/valve (Note 1, 2 and 3)
68	Corvette (8 cyl.)	3933126	2	.12	BOLT , filter adapter (5/16" — 18 x 1 1/4")
69-75	Corvette (8 cyl.)	3951644	2	.17	BOLT , adapter, fldg. hex. head (5/16" — 18 x 1 1/4")

NOTE 1 Some early 1968 models used 1967 engines, refer to Note No. 4 in Group 0.033.

NOTE 2 When using 3952301 in place of 3916238 it is necessary to discard the attaching screws and use two 180080 screws.

NOTE 3 For alum. cyl. and case, see group 1.855.

COOLANT—GRILLE—OIL SYSTEM

1.844 GASKET, Oil Filter

56-59	Corvette (8 cyl.)	799303	1	.08	bolt (copper— ¹⁹ / ₃₂ " I.D. x ¹⁹ / ₁₆ " O.D.)— (4.661)
58-67	Corvette (8 cyl.)	5573980	1	.22	body or cavity cover

1.850 OIL— CLEANER, Engine Concentrate

53-75	Corvette	1051396	A.R.	2.12	camshaft break-in (1 pint can) ("E.O.S.")— (8.800)
53-75	Corvette	1051397	A.R.	2.92	camshaft break-in (32 oz. can) ("E.O.S.")— (8.800)
53-75	Corvette	1050002	A.R.	2.00	CLEANER , carb., combustion chamber and crankcase (16 oz. can) ("cleans")— (8.800)
53-75	Corvette	1050003	A.R.	4.50	CLEANER , carb. combustion chamber and crankcase (38 oz. can) ("cleans")— (8.800)
53-75	Corvette	1050690	1	2.75	CLEANER , top eng. (19 oz., aerosol container)— (8.800)
53-75	Corvette	1050728	1	2.55	CLEANER , top engine (24 oz. can)— (8.800)

1.855 CONNECTOR, Oil Filter Fitting

69	Corvette w/AL. Cyl. and Case (427)	3853870	1	.73	element to engine
----	---------------------------------------	---------	---	-----	-------------------

**GROUP 2.000
CHASSIS —
ELECTRICAL
SYSTEM**

CHASSIS ELECTRICAL SYSTEM

2.041 MOTOR ASSY., Starter

62	Corvette w/P.G. (327),				
63-67	Corvette (327),				
68	Corvette (exc. 427)	1108361	1	105.50	w/switch (stamped 1107320-1108361) . . .
65	Corvette (H.D. 4-Spd. w/Sp. H/Per.) (396),				
66-68	Corvette (427) (exc. H.D.),				
69	Corvette (exc. 427),				
69	Corvette (T.H. w/H.D.) (427),				
70-72	Corvette w/3-Spd., 4-Spd. (350) (exc. H.D. 4-Spd.),				
70-74	Corvette (454) (exc. A.T.),				
74-75	Corvette (350) (exc. A.T.)	1108400	1	115.25	w/switch (stamped 1108338-8418- 1108400)
65	Corvette (H.D. & 4-Spd. w/Sp. H/Per.) (396),				
66-68	Corvette w/H.D. (427),				
69	Corvette w/H.D. (427) (exc. T.H.),				
69	Corvette w/H.D. 4-Spd.,				
70-72	Corvette w/H.D. 4-Spd.	1108381	1	81.80	w/switch (stamped 1108351-1108381) . . .
70-75	Corvette w/A.T.	1108429	1	101.00	w/switch (stamped 1108427-29-30)

2.042 BOLT— BRACE— SCREW— SPACER, Starting Motor to Engine Attaching

66-68	Corvette w/H.D. 427 (exc. H.D. 4-Spd.),				
69	Corvette (350) (exc. Sp. H/Per.),				
73-76	Corvette (exc. A.T.)	3733289	2	.37	attach ($\frac{3}{8}$ " — 16 x $3\frac{5}{8}$ ")
62	Corvette w/P.G. (327),				
63-69	Corvette (exc. 396, 427 H.D. Clutch, T.H.),				
70-72	Corvette (350),				
73-75	Corvette w/A.T.	1366043	A.R.	.59	at inboard hole ($\frac{3}{8}$ " x $4\frac{21}{32}$ ")
62	Corvette w/P.G. (327),				
65-66	Corvette (exc. 427),				
69-70	Corvette w/H.D. (427, 454),				
70	Corvette (H.D. 4-Spd. w/Sp. H/Per.) (350),				
71-72	Corvette (350)	1366042	1	.26	attach. ($\frac{3}{8}$ " x $1\frac{27}{32}$ ")
62	Corvette w/P.G. (327),				
63-69	Corvette (283, 327, 350),				
68-69	Corvette (exc. 427, T.H.),				
70-72	Corvette (H.D. 4-Spd. w/Sp. H/Per.) (350)	354353	1	.95	BRACE
66-67	Corvette (427) (exc. H.D. 4-Spd.),				
68-69	Corvette (427)	3864972	1	.26	BRACE
65-67	Corvette w/Sp. H/Per. (396, 427),				
67-69	Corvette w/H.D. (427) (exc. T.H.)	3866768	1	1.50	BRACE
70-74	Corvette (454)	3965588	1	.20	BRACE
70-72	Corvette (350) (exc. H.D. 4-Spd.),				
73-76	Corvette (350)	3965589	1	.53	BRACE
67-69	Corvette (427) (exc. H/Per., H.D. 4-Spd.)	3932398	1	1.10	BRACE
73-75	Corvette	3973388	1	.10	SCREW , w/lockwasher str. mtr. brace to cyl. and case
62	Corvette w/P.G. (327),				
63	Corvette (exc. P.G.)	3819824	1	.39	SPACER

2.043 ARMATURE, Starting Motor

57-61	Corvette (8 cyl.)				
61-62	Corvette (327) (exc. P.G.),				
62	Corvette (283),				
63-65	Corvette (exc. 396)		1		(w/1107660-7664-7694-7687-7688
66-67	Corvette (exc. 396, 427 H.D. Clutch)	1955937	1	27.20	7273-7274-7315-7320-7336-7353-7369- 7370-7374-7383-7497-7889-7890-7891- 7892-7895 (Exchange Item— Note 1)
65-68	Corvette w/Sp. H/Per. (396, 427),				
69	Corvette w/H.D. (427),				
70-72	Corvette (Sp. H/Per. w/H.D. 4- Spd.) (350)	1940824	1	29.55	w/1107712-7286-7289-7342-7352-8351- 8381 (Exchange Item— Note 1)
66-68	Corvette (427) (exc. Sp. H/Per.),				
70-71	Corvette (454) (exc. A.T.),				

CHASSIS ELECTRICAL SYSTEM

2.043 ARMATURE, Starting Motor (Con't)

72-75	Corvette (exc. A.T., H.D. 4-Spd.)	1965724	1	29.70	w/1107365-8385-8400-18 (Exchange Item— Note 1)
69	Corvette (exc. H.D. 427),				
70-72	Corvette w/3-Spd., 4-Spd. (350) (exc. H.D. 4-Spd.)	1966228	1	27.45	w/1107372-8338-8350-8357 thru 8382 (Exchange Item— Note 1)
70-71	Corvette w/A.T. (350)	1971568	1	27.50	w/1108427 (Exchange Item— Note 1)
71-75	Corvette w/A.T.	1970548	1	28.35	w/1108429-30

NOTE 1 List price shown does not include exchange charge. Refer to Dealer Parts Price Schedule for exchange price.

2.049 COIL ASSY.— INSULATION, Starting Motor Field

57-61	Corvette	1967968	1	10.10	consists of 4 coils (w/1107237-7247-7259-7260-7273-7399-7400-7496-7497-7652-7660-7664-7888-89)
62-69	Corvette (327),				
66	Corvette (427) (exc. Sp. H/Per.),				
70-72	Corvette (350) (exc. H.D. 4-Spd.),				
73-74	Corvette (350) (exc. 4-Spd.)	1877291	1	10.70	(3 coils) w/1107233-42-7320-8338-61-8427-30
62-69	Corvette (327),				
66	Corvette (427) (exc. Sp. H/Per.),				
70-72	Corvette (350) (exc. H.D. 4-Spd.),				
73-75	Corvette (350) (exc. 4-Spd.)	1935131	1	3.71	shunt (one coil) w/1107233-42-7320-8338-61
65-69	Corvette (396, 427),				
70-75	Corvette (350, 454)	1877306	1	12.85	(4 coils) (w/1107352-65-1108351-1108400-18-1108429-30)
70-75	Corvette w/A.T.	1927853	4	.10	INSULATION (w/11084279-29-30)

2.051 BRUSH— Starting Motor

55-63	Corvette (12 volt),				
64-75	Corvette	1906945	4	.36	(stamped 945) (¹³ / ₆₄ " hole)

2.052 HOLDER— PIN— SCREW— SUPPORT UNIT, Starting Motor Brush

55-75	Corvette (12 volt)	1926618	2	.67	(insulated)
55-75	Corvette	1940477	2	1.01	(ground)
70-75	Corvette (350) (exc. H.D. 4-Spd.)	1938058	2	.09	PIN, holder (w/1108338-1108427)
70-72	Corvette (Sp. H/Per. w/H.D. 4-Spd.) (350),				
70-72	Corvette (454),				
73-75	Corvette (350) (exc. 4-Spd.)	1966923	2	.09	PIN, support (w/1108351-81-1108400-29-30)
56-69	Corvette (12 volt)	448015	4	.06	SCREW (tapping— ³ / ₁₆ "— 32 x ⁵ / ₈ ")— (8.977)
55-75	Corvette	1928015	2	1.09	SUPPORT UNIT, holder (Note 1)

NOTE 1 Consists of 1 ea. support, lead, pin and 2 ea. screws, nuts, washers.

2.053 SPRING, Starting Motor Brush

55-75	Corvette (12 volt)	1926622	2	.25	(hair pin type— ¹ / ₂ " wide)
-------	--------------------	---------	---	-----	---

2.055 LEAD, Starting Motor Brush

55-75	Corvette	1960864	2	.21	ground (2 terminals— 2 ³ / ₈ " long)
-------	----------	---------	---	-----	--

2.063 COLLAR— RING— WASHER, Starting Motor Thrust

55-75	Corvette (12 volt)	1927849	1	.61	(¹⁵ / ₃₂ " I.D. x ¹¹ / ₁₆ " O.D. x ³ / ₁₆ " wide)
55-75	Corvette (12 volt)	1927848	1	.07	RING, pinion stop retainer (lock type— ⁷ / ₁₆ " I.D.)
53-55	Corvette (6 volt)	1928023	1	.07	WASHER, drive end (steel— ¹ / ₂ " I.D. x ³ / ₄ " O.D. x ¹ / ₁₆ "
53-75	Corvette	818265	1	.08	WASHER, comm. end (leather— ⁹ / ₁₆ " I.D. x ¹ / ₁₆ " O.D.)
55-75	Corvette (12 volt)	1927850	1	.13	WASHER, drive end (¹⁵ / ₃₂ " I.D. x ¹¹ / ₁₆ " O.D.) (⁷ / ₆₄ " thk.)

2.067 FRAME, Starting Motor Commutator End, with Pins

55-63	Corvette (12 volt),				
64-75	Corvette	1928966	1	3.67	w/bushing (4 ¹ / ₄ " O.D.)

2.077 SCREW— BOLT— POLE PIECE, Starting Motor (Internal)

60-75	Corvette	1949653	1	.03	field lead (No.10-32 x ³ / ₈ ")
50-75	Corvette	1970489	4	.11	shaft lever (⁹ / ₈ "— 24 x ¹¹ / ₁₆ " O.L.)
55-75	Corvette (12 volt)	1941111	1	.61	BOLT, through (¹ / ₄ "— 20 x ⁵ / ₈ " w/ ⁵ / ₈ " ext.)
66-69	Corvette (427) (exc. Sp. H/Per.),				
70-75	Corvette	1939970	1	.43	BOLT, through

CHASSIS ELECTRICAL SYSTEM

2.077 SCREW— BOLT— POLE PIECE, Starting Motor (Internal) (Con't)

Not required in this group. See

	group 2.316	809763	2	.45	BOLT (2.316)
70-74	Corvette w/A.T. (454),				
75	Corvette	810601	4	1.44	POLE PIECE

2.083 BUSHING, Starting Motor End

53-55	Corvette (6 volt)	1839345	1	.34	drive end (1/2" I.D. x 9/16" O.D. x 25/32" long)
55-69	Corvette (12 volt),				
70-75	Corvette (exc. A.T.)	1923907	1	.32	drive end (16/32" I.D. x 33/64" O.D. 23/32" long)
70-75	Corvette w/A.T.	1932190	1	.26	drive end

2.085 HOUSING, Starting Motor Drive, with Bushing

57-62	Corvette (8 cyl.)	1970297	1	16.20	w/1107664-688-7712-7889-7233-7273-7274-7286-7315-7369-7497-1108355-60-8368-8372-8385
62	Corvette w/P.G. (327),				
63-69	Corvette (exc. 396, 427, H.D. clutch),				
65-66	Corvette w/Sp. H/Per. (396, 427),				
68-69	Corvette w/H.D. (427),				
70-72	Corvette w/H.D. 4-Spd.	1968122	1	12.20	w/1107237-7242-7247-7259-7260-7320-7352-7399-7496-8351-61-65-67-81-8420 w/1107365-7385-8338-8382-8418,
66-69	Corvette (427) (exc. Sp. H/Per.)				
70-72	Corvette w/3-Spd., 4-Spd. (350) (exc. H.D. 4-Spd.),				
70-72	Corvette (454) (exc. A.T.),				
73-75	Corvette (exc. A.T.)	1969309	1	20.00	w/1108338-8400
70-75	Corvette w/A.T.	801188	1	12.15	w/1108427-29-30

2.086 DRIVE ASSY., Starting Motor

53-55	Corvette (6 volt)	1873789	1	20.00	(stamped "O") (Exchange Item— Note 1)
55-56	Corvette (12 volt)	1946221	1	13.50	46-49-70-74-75-77 (Exchange Item— Note 1)
57-62	Corvette (8 cyl.),				
63-75	Corvette	1954842	1	13.10	w/1107219-7233-7237-7242-7247-7259-7260-7273-7274-7286-7289-7315-7320-7366-7342-7352-7353-7365-7369-7370-7374-7388-7496-7497-7664-7687-7688-7694-7712-7889-8332-8351-8355-8411-27-29-1107365-7372-8337-8-60-66-81-8400-18-27-29-30 (Exchange Item Note 1)

NOTE 1 List price shown does not include exchange charge. Refer to Dealer Parts Price Schedule for exchange price.

2.100 SWITCH ASSY., Starting Motor (on motor)

53-55	Corvette (6 volt)	1114310	1	25.35	solenoid (less plunger and link)
55-56	Corvette (12 volt)	1119789	1	24.05	solenoid (w/1912448 boot)
57-71	Corvette,				
73-74	Corvette (350)	1114356	1	15.75	solenoid (stamped 1107365-7388-7497-7712-8338-51-8418-27-30-1114356-4339)
75	Corvette	1114396	1	16.65	solenoid (w/1108775-76)
72-74	Corvette (454)	1114367	1	19.70	solenoid w/1108400-8429

2.102 CONTACT— GROMMET— STUD— WASHER, Starting Motor Solenoid (Switch Parts)

57-75	Corvette	1956226	1	1.33	w/push rod
58-75	Corvette	1935645	1	.11	switch (w/1107664-7652-7674-7677-7687-7712-8810)
62-69	Corvette (327),				
70-72	Corvette (350) (exc. H.D. 4-Spd.),				
73-74	Corvette (454) (exc. A.T.)	1966391	1	.12	GROMMET, field frame (7/16" I.D. x 3/4" O.D. w/slot and ident. recesses) (w/1107233-7242-7274-7315-7320-7336-7687-7688-8338-8427)
64-69	Corvette (396, 427),				
70-72	Corvette (454) (exc. A.T.),				
70-72	Corvette (H.D. 4-Spd. w/Sp. H/Per.) (350),				
73-75	Corvette (exc. A.T.)	1965047	1	.21	GROMMET, field frame
70-75	Corvette w/A.T.	1846097	1	.17	GROMMET, field frame (w/1108429-30)
55-64	Corvette (12 volt)	1927344	1	.33	STUD, switch terminal (copper— 3/8" — 16 x 13/16")

CHASSIS ELECTRICAL SYSTEM

2.102 CONTACT— GROMMET— STUD— WASHER, Starting Motor Solenoid (Switch Parts) (Con't)

55-73	Corvette (12 volt)	1923935	2	.10	WASHER, switch cover and terminal stud. (nylon— ³ / ₁₆ " I.D. x ⁷ / ₁₆ " O.D.)
74	Corvette (454)	1956015	2		WASHER, sol. switch cover atch. screw
74-76	Corvette (exc. 454)	3961507 A.R.		.05	WASHER, sol. screw cover

2.104 NUT— CAP UNIT— SHIELD— GASKET, Starting Motor

68-74	Corvette (427, 454)	3943648	1	1.12	solenoid shield (barrel— ¹ / ₄ "— 20)
71-74	Corvette (454)	6258043	1	1.60	CAP UNIT, starter mtr. solenoid
64-76	Corvette (exc. 396, 427, 454)	3959552	1	.48	SHIELD, solenoid splash
68-74	Corvette (427, 454)	3943647	1	2.83	SHIELD, solenoid (stainless steel)
73-75	Corvette (350)	1966034	1	.25	GASKET, solenoid switch cover

2.108 LEVER— PIN— SHAFT— STUD— SPRING, Starting Motor Drive Shaft

55-56	Corvette (12 volt)	1927468	1	3.64	(elongated hole and 2 tapped holes)
57-69	Corvette,				
70-75	Corvette (exc. A.T.)	1951567	1	2.13	(³ / ₁₇ " between end holes)
70-75	Corvette w/A.T.	801433	1	2.34	shaft
57-60	Corvette	456652	1	.06	PIN, lever (hollow— ³ / ₁₆ " dia. x ¹³ / ₁₆ " long)— (8.939)
62	Corvette w/P.G. (327),				
63-67	Corvette (exc. 396, 427),				
65-67	Corvette w/Sp. H/Per. (396, 427),				
68-69	Corvette (exc. 427),				
70-72	Corvette (Sp. H/Per. w/H.D. 4- Spd.) (350),				
70-75	Corvette w/A.T.	1945804	1	.13	SHAFT, lever
57-62	Corvette (12 volt),				
66-71	Corvette,				
72-75	Corvette (exc. A.T.)	1932197	1	.17	STUD, lever (⁵ / ₁₆ "— 18 x ¹ / ₁₆ " O.L.)
69-75	Corvette	1960244	1	.36	STUD, solenoid term.
57-63	Corvette (8 cyl.)	1951002	1	.47	SPRING, lever assist (¹ / ₂ " I.D. tapered to ²⁹ / ₃₂ " I.D.— 6 ¹ / ₂ " coils)
57-75	Corvette	1958679	1	.69	SPRING, plunger

2.113 PLUNGER, Starting Motor Drive Shift

57-75	Corvette	1941113	1	4.81	PLUNGER, w/link
-------	----------	---------	---	------	-----------------

2.127 RELAY ASSY., Starting Motor

53-55	Corvette (6 volt),				
55	Corvette (12 volt),				
56-61	Corvette w/P.G.	1116904	1	9.65	

2.170 COIL, Ignition

53-55	Corvette (6 volt)	1115380	1	15.50	(normal weather operation) (emboss. 380-6- V)
55-67	Corvette w/12 volt (exc. T. Ign.)	1115202	1	16.25	w/1.8 OHM wire (stamped 202-12-V)
64-71	Corvette	1115207	1	19.10	(embossed 176-12-V) (1.8 OHM wire)
67-74	Corvette	1115238	1	16.40	w/1.3 OHM wire (stamped 238-BR)
75	Corvette	1875894	1	27.80	w/1112883-2888-2959

2.171 WIRE ASSY., Ignition Coil

65-66	Corvette w/Sp. H/Per. (396),				
66-69	Corvette w/H.D. (427),				
70-71	Corvette (454),				
73-74	Corvette (454)	8912485	1	1.65	to distributor (high tension) (5 ¹ / ₂ " O.L.)
72	Corvette,				
73-74	Corvette (exc. 454)	2979565	1	2.76	to distributor (high tension) (16 ¹ / ₁₆ " O.L.)

2.173 RESISTOR, Ignition Coil

63-64	Corvette (2nd design) (exc. Sp. H/Per., F.I.),				
65	Corvette,				
66-67	Corvette (exc. T. Ign.)	1957154	1	3.09	primary (blue stripe) (1.8 ohms)
55-62	Corvette (12 volt),				
63	Corvette (1st design) (exc. Sp. H/Per., F.I.),				
63-64	Corvette w/Sp. H/Per., F.I.	1931385	1	4.73	primary (black dot) (.03 ohms)

2.183 BRACKET— SEAL— SCREW, Ignition Coil Mounting

55	Corvette (8 cyl.),				
60	Corvette	1909326	1	.62	
60-61	Corvette,				
62	Corvette w/F.I.,				

CHASSIS ELECTRICAL SYSTEM

2.183 BRACKET— SEAL— SCREW, Ignition Coil Mounting (Con't)

64	Corvette w/T. Ign.	1929496	1	.65	w/Screw
58-62	Corvette (exc. F.I.),				
63-68	Corvette (exc. 396, 427)	3826072	1	1.12	spark plug wire
67-68	Corvette (427),				
69	Corvette w/T. Ign. (427),				
70-72	Corvette (454)	1970344	1	.62	
68	Corvette,				
69	Corvette (exc. T. Ign., H/Per., 427),				
70-72	Corvette (350)	1966876	1	.98	
73-74	Corvette	1846538	1	.84	
75	Corvette	1875962	1	2.51	SEAL, under ign. coil
75	Corvette	1875961	1	.20	SCREW, w/washer, ign. coil attach.

2.187 KEY, Ignition— Door— Compartment— Trunk— Gas Tank Cap— Tire Locks

53-66	Corvette	3694624	A.R.	.15	
67	Corvette	7033454	A.R.	.15	octagon hd., ignition and door lock
67	Corvette	7033455	A.R.	.15	round hd. inst. pln., frt. and rear compt.
68	Corvette	7034680	A.R.	.15	hexagon hd., uncoded
68	Corvette	7034702	A.R.	.15	round hd.
69	Corvette,				
73	Corvette	7025019	A.R.	.30	oval hd., uncoded
69	Corvette,				
73	Corvette	7025014	A.R.	.30	square hd., uncoded
70	Corvette,				
74	Corvette	7025288	A.R.	.30	oval head, uncoded
70	Corvette,				
74	Corvette	7025282	A.R.	.30	square head, uncoded
71	Corvette,				
75	Corvette	7027275	1	.25	square hd. (blank)
71	Corvette,				
75	Corvette	7027281	1	.25	oval hd. (blank)
72	Corvette	7024229	A.R.	.30	square head, uncoded
72	Corvette	7024235	A.R.	.30	oval head, uncoded

2.188 CYLINDER ASSY.— CYLINDER UNIT— LOCK ASSY.— RING— SCREW— SLEEVE— SWITCH ASSY., Ignition Switch

NOTE. See group 10.553 for cylinder tumblers.

53-64	Corvette	3772085	1	1.76	less keys uncoded
65	Corvette	3869215	1	1.38	uncoded
66	Corvette	7031272	1	.96	uncoded
67	Corvette	7033216	1	.96	less tumblers, spring and retainer uncoded
68	Corvette	7023261	1	2.26	uncoded
69	Corvette	7025216	1	4.06	uncoded
70	Corvette	7042761	1	5.95	CYLINDER UNIT, uncoded ign. lock (Note 1)
71	Corvette	3990946	1	7.25	CYLINDER UNIT, uncoded ign. lock (Note 1)
72	Corvette	7044844	1	7.25	CYLINDER UNIT, uncoded ign. lock (Note 1)
73*	Corvette	7047678	1	6.85	CYLINDER UNIT, uncoded ign. lock (Note 1)

NOTE 1 Consist of (1) one each sleeve, adapter, cylinder assy., ring and washer.

74-75	Corvette	345083	1	7.05	LOCK ASSY., ign.
69	Corvette	7024780	1	.22	RING, cyl. anti-theft
69-75	Corvette	7806433	1	.31	SCREW, ign. switch
69	Corvette	7024624	1	1.07	SLEEVE, cyl.
55	Corvette (6 volt)	1116478	1	9.05	SWITCH ASSY., less cyl. and keys
55-57	Corvette (12 volt)	1116512	1	7.45	SWITCH ASSY., less cyl. and keys (stamped 512)
58-59	Corvette	1116547	1	7.35	SWITCH ASSY., less cyl. and keys (stamped 547)
60-62	Corvette	1116577	1	6.65	SWITCH ASSY., less cyl. and keys
63-64	Corvette	1116650	1	7.00	SWITCH ASSY., less cyl. and keys
65	Corvette	1116660	1	6.60	SWITCH ASSY., less cyl. and keys
66-67	Corvette	1116686	1	6.55	SWITCH ASSY.
68	Corvette	1116697	1	7.30	SWITCH ASSY.
69-75	Corvette (exc. T.W., Tel. W.)	1990098	1	6.15	SWITCH ASSY.
69-75	Corvette w/T.W., Tel. W.	1990099	1	6.90	SWITCH ASSY.

CHASSIS ELECTRICAL SYSTEM

2.195 RELAY—BUZZER ASSY.—BRACKET—CLIP—CONTROL UNIT—ESCUTCHEON—GASKET—HARNES ASSY.—HORN ASSY.—NUT—PLATE—RACK—RETAINER—ROD ASSY.—SECTOR—SHAFT—SHIELD—SPRING—SWITCH UNIT—SWITCH ASSY.—WASHER—WIRE ASSY., Ignition Switch Warning and Theft Alarm

68-71	Corvette w/anti-theft	1115878	1	4.14	(2.815)
68-71	Corvette	1115889	1	6.25	w/buzzer—(2.815)
72-76	Corvette	6262863	1	3.02	BUZZER ASSY. , ign. key lock
74-76	Corvette	6258257	1	3.11	BUZZER ASSY. , seat belt warning
68-72	Corvette w/anti-theft	3937680	1	.26	BRACKET , hood open warning switch
73-76	Corvette	336121	1	.26	BRACKET , anti-theft hood switch
68-76	Corvette w/anti-theft	3937670	1	.26	BRACKET , horn relay
74-76	Corvette	6258291	1	.20	BRACKET , anti-theft alarm switch adj.
68	Corvette w/anti-theft	3986825	1	.11	CLIP , horn flasher—(2.892)
69-75	Corvette w/T.W., Tel. W.	7804513	1	.72	CLIP , ign. key warning buzzer switch
69-75	Corvette (exc. T.W., Tel. W.)	7804419	1	.68	CLIP , ign. key warning buzzer switch
74	Corvette	6258297	1	30.95	CONTROL UNIT , vehicle security
75	Corvette	356183	1		CONTROL UNIT , vehicle security
70-71	Corvette	3897449	1	.78	ESCUTCHEON , anti-theft alarm system switch—(10.536)
72	Corvette	4587931	1	.21	GASKET , alarm system switch—(12.249)
68-71	Corvette w/anti-theft	8901749	1	32.55	HARNES ASSY. , alarm sys.
68-71	Corvette w/anti-theft	1999939	1	14.95	HORN ASSY. , vib. (hi note)—(2.810)
72-75	Corvette	3828546	1	.30	NUT , anti-theft horn mtg.—(11.373)
68-70	Corvette w/anti-theft	3937672	1	.30	PLATE , switch
69-71	Corvette (exc. T.W., Tel. W.)	7804761	1	1.15	PLATE , rack guide
69-74	Corvette w/T.W., Tel. W.	7804923	1	3.52	RACK , ign. switch actuator
75	Corvette w/T.W., Tel. W.	7818721	1	3.50	RACK , ign. switch actuator
69-75	Corvette w/T.W., Tel. W.	7804911	1	.54	RETAINER , ign. switch actuator sector
70-72	Corvette				RETAINER , anti-theft alarm system switch, anti-theft lock unit—(10.551)
72	Corvette	9728247	1	.53	
69-74	Corvette w/T.W., Tel. W.	7803646	1	3.28	ROD ASSY. , ign. switch actuator
69-75	Corvette (exc. T.W., Tel. W.)	7806118	1	4.00	ROD ASSY. , w/rack, ign. switch actuator
69-71	Corvette w/T.W., Tel. W.	7806114	1	4.77	ROD ASSY. , w/rack, ign. switch actuator
69-75	Corvette (exc. T.W., Tel. W.)	7812526	1	1.27	SECTOR , ign. switch actuator
69-75	Corvette w/T.W., Tel. W.	7805158	1	.59	SECTOR , ign. switch actuator
69	Corvette (exc. T.W., Tel. W.)	7804412	1	1.20	SHAFT , ign. switch actuator sector
69-71	Corvette w/T.W., Tel. W.	7804917	1	3.28	SHAFT , ign. switch sector door
72-75	Corvette w/T.W., Tel. W.	7809368	1	3.17	SHAFT , ign. switch sel. doors
74-76	Corvette	342230	1	4.80	SHIELD , anti-theft lock switch
69-75	Corvette (exc. T.W., Tel. W.)	7804410	1	.57	SPRING , ign. switch rack preload
69-75	Corvette w/T.W., Tel. W.	7804908	1	.54	SPRING , ign. switch rack preload
68-69	Corvette w/anti-theft	3937671	1	3.89	SWITCH UNIT , theft alarm lock
70-75	Corvette w/anti-theft	3986860	1	5.60	SWITCH ASSY. , theft alarm lock (B & S 605085)
69-75	Corvette w/T.W., Tel. W.	7811093	1	2.22	SWITCH ASSY. , strg. col. ign. key wrg. buzzer
69-75	Corvette (exc. T.W., Tel. W.)	7804414	1	2.46	SWITCH ASSY. , ign. key warning buzzer
74-76	Corvette	3951239	1	2.02	SWITCH ASSY. , anti-theft alarm protector—(2.755)
75-76	Corvette	6258295	1	.78	SWITCH ASSY. , anti-theft hood
75-76	Corvette	361061	1		TIMER , vehicle security cont. (New York only)
69-71	Corvette w/T.W., Tel. W.	7804910	1	.54	WASHER , ign. switch sector door shift
71-72	Corvette w/anti-theft	8901904	1	8.75	WIRE ASSY. , body wiring and anti-theft alarm

2.198 NUT—FERRULE—BEZEL, Ignition Lock

60-65	Corvette	3902185	1	.49	ignition and starting switch
66-67	Corvette	3879550	1	.45	ignition and starting switch
68	Corvette	3937619	1	.43	ignition and starting switch
58-62	Corvette	3747647	1	.90	FERRULE , chrome (1 I.D. x 1 ⁵ / ₈ " O.D.)
68	Corvette	3919046	1	.62	BEZEL , switch

2.239 WIRE UNIT, Spark Plug

63-65	Corvette w/F.I.	2987482	1	19.83	glass interbraid (Note 2)
65-69	Corvette (396, 427) (exc. radio),				
67-74	Corvette w/H.D. (427, 454)	8909665	1	17.76	(Note 4)
65-67	Corvette (Sp. H/Per. w/radio) (396, 427),				
67-68	Corvette w/radio (427) (exc. H.D.),				
70-71	Corvette w/H/Per., Sp. H/Per. (454)	8912284	1	31.35	glass interbraid (Note 2)
63-70	Corvette (283, 327, 350) (exc. F.I.),				

CHASSIS ELECTRICAL SYSTEM

2.239 WIRE UNIT, Spark Plug (Con't)

71-74 Corvette (350)	8912437	1	20.16	glass interbraid (90 deg. plug boot, straight dist. nipple) (Note 2)
75-76 Corvette	8908567	1	42.14	glass interbraid (Note 2)

NOTE 4. Unit includes 8 spark plug wires and 1 coil wire.
NOTE 2. Consists of 8 spark plug wires and 1 coil high tension wire with nipples and clips.

2.240 WIRE ASSY., Spark Plug, w/Terminals, (Single Wire Replacement)

53-71 Corvette	2979302	A.R.	3.23	glass interbraid (36 ¹ / ₄ " O.L.) (Note 1)
<i>NOTE 1. Universal length unit for all applications 36 inches and shorter.</i>				
55-62 Corvette				
63-70 Corvette (8 cyl.) (exc. 396, 427, 454)	2979303	A.R.	3.52	glass interbraid (54 ¹ / ₂ " long) (Note 2)
<i>NOTE 2. Universal length unit 37 to 53 inches as required.</i>				
65-69 Corvette w/AM/FM radio (396, 427) (exc. H.D.),				
70-71 Corvette (Sp. H/Per. w/AM/FM) (454)	6295124	A.R.	9.79	(Nos. 1-2-3-4 wires) (34" O.L.-glass interbraid, 135 degree boot) (shielded) ...
65-69 Corvette w/AM/FM radio (396, 427) (exc. H.D.),				
70-71 Corvette (Sp. H/Per. w/AM/FM) (454)	6295128	A.R.	9.12	(Nos. 5-6-7-8 wires) (25" O.L.-glass interbraid, 135 degree boot) (shielded) ...
65-67 Corvette (396, 427) (exc. AM/FM radio),				
68-69 Corvette (396, 427)				(Nos. 5-6-7-8 wires),
70-71 Corvette w/Sp. H/Per. (454) (exc. FM Radio)	2989404	A.R.	3.42	(Nos. 5-6-8 wires) (28" O.L.-glass interbraid, 135 degree boot)
65-67 Corvette w/Sp. H/Per. (396, 427) (exc. AM/FM radio),				
68-69 Corvette (396, 427),				
70-71 Corvette w/Sp. H/Per. (454) (exc. FM Radio)	2989400	A.R.	3.55	(Nos. 1-2-3-4 wires) (34" O.L.-glass interbraid, 135 degree boot)
70-71 Corvette (H/Per. w/AM/FM Radio) (454) (exc. H.D.)	8901498	1	9.50	(No. 1-2-3-4 wire) (34" O.L. glass interbraid)
70-71 Corvette (H/Per. w/AM/FM Radio) (454) (exc. H.D.)	8901502	1	8.52	(No. 5-6-7-8 wire) (25" O.L. glass interbraid)
70-71 Corvette w/H/Per. (454) (exc. AM/FM)	8903191	1	3.91	glass interbraid (32" O.L.)
71-74 Corvette (350)	8907292	A.R.	4.24	glass interbraid (50" O.L.)
72-74 Corvette (454)	8908299	A.R.	9.25	(No. 1-2-4) (35" O.L.)
73-74 Corvette (454)	8908133	A.R.	8.45	(No. 3-5-6-7-8) (29" O.L.)
75-76 Corvette	8914092	A.R.	5.14	WIRE , No. 5-6
75-76 Corvette	8914094	A.R.	5.89	WIRE , No. 1
75-76 Corvette	8914093	A.R.	5.76	WIRE , No. 4
75-76 Corvette	8914090	A.R.	6.29	WIRE , No. 2-3
75-76 Corvette	8914091	A.R.	5.01	WIRE , No. 8
75-76 Corvette	8914031	A.R.	4.87	WIRE , No. 7

2.251 SUPPORT— RETAINER— GROMMET— SHIELD— CLIP, Spark Plug Wire

NOTE For radio noise suppression parts see group 9.663 (radio).

56-67 Corvette (exc. 396, 427),				
66 Corvette (427) (exc. Sp. H/Per.) .	3728953	L.H.	1.35	ignition wire, lower
58-74 Corvette (283, 327, 350)	3744408	2	.19	side
65-69 Corvette (exc. 396, 427, 454),				
70-74 Corvette (exc. 454)	3864498	1	.46	lower, right side
70-76 Corvette (exc. 454)	3923971	L.H.	.73	ign. lower shield lower L.H.
68-71 Corvette (396, 427, 454)	3928902	R.H.	.33	frt.
75 Corvette	351693	1	.49	rear lwr. R.H. side
75-76 Corvette	354332	2	.76	side
75 Corvette	354417	L.H.	1.15	radio ign. shield
75 Corvette	354418	R.H.	1.15	radio ign. shield
64-68 Corvette,				
73-74 Corvette (350) (exc. NB-2)	2965950	A.R.	.24	RETAINER , spark plug wires
65 Corvette (396),				
66-71 Corvette w/Sp. H/Per. (427, 454),				
72-73 Corvette (454)	2977555	A.R.	.30	RETAINER , spark plug wires, rear side
74 Corvette (454)	8911429	2	2.25	RETAINER
56-57 Corvette	3707952	8	.13	GROMMET , side, control speed and cruise (3/32" hole 1/2" O.D.)
56-67 Corvette (exc. 396, 427),				
68-70 Corvette (exc. 427),				

CHASSIS ELECTRICAL SYSTEM

**2.251 SUPPORT— RETAINER— GROMMET— SHIELD— CLIP, Spark Plug Wire
(Con't)**

70-74	Corvette (exc. 454)	3719963 A.R.	.13	GROMMET, rear upper and lower (four 9/32" holes)
65-69	Corvette (350, 396, 427),			
70-74	Corvette	3869716 A.R.	.19	GROMMET, side
75-76	Corvette	351692 2	.25	GROMMET, splg. wire L.H. side
75	Corvette	351694 1	.25	GROMMET, splg. wire L.H. side
57-69	Corvette (8 cyl.) (exc. 396, 427),			
70-74	Corvette (exc. 454)	3917663 A.R.	.81	SHIELD, left rear and right front
57-67	Corvette (8 cyl.) (exc. 396, 427),			
68	Corvette (exc. 427),			
69-74	Corvette (exc. 454)	3917664 A.R.	.73	SHIELD, right rear (Note 1)
<i>NOTE 1 Not used on 1957 Corvette with radio equipment.</i>				
65	Corvette w/Sp. H/Per. (396),			
66-67	Corvette (396, 427)	3871266 8	1.10	SHIELD
68-71	Corvette (8 cyl.) (exc. 396, 427, 454, AM/FM Radio),			
72-76	Corvette (350)	3919807 1	.73	SHIELD, left front
73-74	Corvette (454)	336716 8	.33	SHIELD, heat
76	Corvette	351693 1	.49	SHIELD, rr. lwr. side (RH)
69-70	Corvette w/A.M./F.M. radio	3973609 1	4.80	SHIELD ASSY., radio ign. frt.
69-70	Corvette w/A.M./F.M. radio	3973610 1	4.00	SHIELD ASSY., radio ign. rear
58-71	Corvette (283, 327, 350),			
65-75	Corvette	3744409 2	.21	CLIP (9/32" wide-one 19/64" hole) splg. wire to oil pan
75-76	Corvette	8917143 1	2.25	CLIP, spark plug wire

2.257 TERMINAL— CLIP, Spark Plug Wire

53-55	Corvette (6 volt)	454631 A.R.	.07	(spade end-for 3/16" rod) (Packard 208-A)
53-55	Corvette (6 volt)	5284618 8	.08	CLIP, high tension (Packard 202)

2.258 NIPPLE— PROTECTOR, Spark Plug Wire

53-69	Corvette	5289527 A.R.	.11	distributor (plastic— 1 3/16" long)
53-69	Corvette (6 cyl.)	5297132 6	.42	PROTECTOR (bellows type) (Packard 286)

2.270 PLUG, Spark

RECOMMENDED SERVICE

57-59	Corvette,			
60	Corvette w/F.I.	1559494 A.R.	1.62	city type oper., AC-46 (14 MM) (Note 1)
57-59	Corvette,			
60	Corvette w/F.I.	5612390 A.R.	1.62	city type oper. (extended shield) AC-46S (14 MM) (Note 1)
58-59	Corvette	5612140 A.R.	1.62	continuous high speed AC-42-1 (14 MM) (Note 1)
53-55	Corvette,			
69-70	Corvette w/Sp. H/Per. (350)	5569992 A.R.	1.95	radio suppression type AC-R43 (14 MM) cold plug, H.D. operation,
56	Corvette			
69-75	Corvette (283) (exc. F.I.),			
62-68	Corvette (327)			standard plug,
58-59	Corvette	1559492 A.R.	1.62	town and country AC-44 (14 MM) (Note 1) cold plug, H.D. operation,
56	Corvette			
60	Corvette (283) (exc. F.I.),			
58-59	Corvette,			
62-68	Corvette (327) (exc. H/Per., Sp. H/Per., F.I.)	5612386 A.R.	1.62	town and country (extended shield) AC-44S (14 MM) (Note 1) cold plug, H.D. operation AC-43 (14 MM) (Note 1)
57-59	Corvette	5612002 A.R.	1.62	hot plug, continuous city oper. AC-45 (14 MM)
56-59	Corvette	1559493 A.R.	1.62	hot plug, continuous city oper. (extended shield) AC-45S (14 MM)
56-59	Corvette	5612371 A.R.	1.62	hot plug, city type dirving AC-43N (14 MM)
64-68	Corvette (396, 427)	5612241 A.R.	1.62	normal service (w/aluminum cyl. head only) AC-R43XL
66-69	Corvette (427)	5613312 8	1.95	(AC R-44)
69-70	Corvette (350) (exc. Sp. H/Per.)	5569993 A.R.	1.95	hotplug (AC-R43N)
69	Corvette w/H/Per., Sp. H/Per. (396, 427)	5612425 8	1.95	
70	Corvette (454) (exc. H.D.),			
71	Corvette w/Sp. H/Per. (350),			
71	Corvette (454) (exc. Sp. H/Per.)	5613354 8	1.95	(AC-R43T)
71	Corvette (350) (exc. Sp. H/Per.),			
72-74	Corvette	5613355 8	1.95	(AC-R44T)

CHASSIS ELECTRICAL SYSTEM

2.270 PLUG, Spark (Con't)

75	All	5613572	1	1.95	(AC-R44TX)
----	-----	---------	---	------	------------

When individual driving conditions warrant, different heat range plugs may be used by selecting higher type Nos. for hotter and lower type Nos. for colder plugs as necessary.
NOTE 1. May be used on previous models using 14MM plugs not equipped with boots.

2.271 GASKET, Spark Plug Seat

53-64	Corvette	5612328	A.R.	.02	(9/16" I.D. x 25/32" O.D.) (14 MM) (chrome) (w/retention dimple) (Note 1)
53-71	Corvette	1555475	A.R.	.02	(14 MM-chrome) (less retention dimple)

NOTE 1 Ream or remove internal projections when using on long reach plugs.

2.273 WRENCH, Spark Plug

53-72	Corvette	3708444	1	.82	(13/16" hex.— 4 1/4" length)
-------	----------	---------	---	-----	------------------------------

2.274 PULLEY— FAN— SPACER, Generator

NOTE In some cases double groove pulleys may be used in place of single groove pulleys.

	Fan	O.D.	Shaft Dia.	No.	Groove Width	Stamped		
56-57	Corvette w/dual 4BC (2nd design),							
57	Corvette w/F.I.	Yes	3 5/8	47/64	1	1/2	3711766	
58-62	Corvette (F.I. w/H.L. Cam),							
62	Corvette w/Sp. H/Per.	Yes	4	47/64	1	1/2	3711685	
58-61	Corvette (exc. F.I. w/H.L. Cam),							
63	Corvette (exc. Sp. H/Per., F.I., C.A.C.)	No	2 7/8	47/64	1	3/8	—	3792460
53-55	Corvette (6 volt),							
63	Corvette w/C.A.C.,							
68	Corvette w/61 amp. (exc. P/S),							
69-70	Corvette (350) (exc. H/Per., Sp. H/Per., C.A.C.),							
69-76	Corvette w/C.A.C. (350)	No	2 1/2	2 1/32	1	1/2	—	1949355(1)
<i>(1) NOTE When using 1949355 pulley, also use 1940994 fan and 3847707 belt.</i>								
63	Corvette w/37 amp. AC gen. (exc. F.I., H/Per., Air Cond.)	Yes	3	1 1/16	1	3/8	—	3830422
64-65	Corvette (exc. C.A.C., Sp. H/Per., F.I.)	No	2 13/16	43/64	1	3/8	—	3871241
64-65	Corvette (C.A.C. w/Sp. H/Per.) (327),							
66-68	Corvette (C.A.C. w/H/Per.) (427) (exc. P/S),							
69	Corvette (4/BC w/Sp. H/Per.) (427) (exc. P/S),							
70-72	Corvette (454) (exc. Sp. H/Per., P/S),							
73-74	Corvette w/C.A.C. (454) (exc. P/S)	No	3 3/64	43/64	1	1/2	—	3846180
65-66	Corvette w/C.A.C. (exc. Sp. H/Per., 427),							
66	Corvette P/S w/62 amp. (327 Sp. H/Per.),							
68	Corvette w/P/S (327 Sp. H/Per., C.A.C.)	Yes	2 21/32	43/64	1	3/8	—	3909817
65-67	Corvette (Sp. H/Per. w/Hyd. Lifters, P/S) (327) (exc. C.A.C.),							
65-66	Corvette w/Sp. H/Per. (396),							
66-68	Corvette (427) (exc. P/S),							
69	Corvette w/H.D. (427),							
71	Corvette w/Sp. H/Per. (454) (exc. P/S)	No	3 5/8	43/64	1	1/2	—	3829387
66-68	Corvette (exc. C.A.C., 427, Sp. H/Per.)	Yes	2 13/16	43/64	1	3/8	—	3909815
63-64	Corvette (F.I., Sp. H/Per.) (exc. C.A.C.),							
65	Corvette w/F.I., Sp. H/Per. (327) (exc. C.A.C., P/S),							
66	Corvette w/Sp. H/Per. (327) (exc. C.A.C., P/S),							
66	Corvette (Sp. H/Per. w/P/S) (427),							

CHASSIS ELECTRICAL SYSTEM

2.274 PULLEY— FAN— SPACER, Generator (Con't)

66-68	Corvette w/P/S (427) (exc. C.A.C., Sp. H/Per.),							
69-71	Corvette (P/S w/Sp. H/Per.) (427, 454)	No	3 ⁵ / ₈	4 ⁹ / ₆₄	1	1/2	—	3871242
66-68	Corvette (C.A.C. w/P/S) (427),							
69-72	Corvette (P/S w/H/Per.) (427, 454),							
73-74	Corvette w/C.A.C., P/S (454)	No	3 ³ / ₆₄	4 ⁹ / ₆₄	1	1/2	—	3883978
73-74	Corvette (454) w/P/S (exc. C.A.C.)	No	3 ³ / ₆₄	4 ⁹ / ₆₄	1	1/2	—	1867560
69-72	Corvette w/H/Per., Sp. H/Per. (350) (exc. C.A.C., T. Ign.),							
75	Corvette (exc. C.A.C.)	No	3 ³ / ₁₆	1 ¹ / ₁₆	1	1/2	—	1970831

73	Corvette (350) (exc. C.A.C.),							
73	Corvette (454) (exc. C.A.C., P/S)	3844100	1	6.85	PULLEY			
53-59	Corvette w/5" separate fan	1868400	1	1.90	FAN (12 blades)			
68-76	Corvette	800594	1	2.26	FAN			
63	Corvette w/C.A.C.	1877887	1	1.70	SPACER , fan babble			

2.275 GENERATOR (less pulley)

NOTE. Mountings on rebuilt generators are the same as those used on new generators. Refer to type numbers for similarity.

NOTE. For Generators acceptable for exchange credit see exchange section of the Dealer Price Schedule.

62-65	Corvette	1100694	1	102.25	52 amp. A.C. (Delcotron) (less pulley and fan) (Exchange Item— Note 1)
62-64	Corvette	1117765	1	220.50	62 amp. A.C. (Delcotron) (less pulley and fan) (Exchange Item— Note 1)
62-68	Corvette	1100842	1	87.45	42 amp. (Delcotron) (less pulley and fan) (Exchange Item— Note 1)
66-68	Corvette	1100849	1	94.00	61 amp. (Delcotron) (less pulley and fan)
69-75	Corvette	1100543	1	102.50	42 amp. (Delcotron)
69-75	Corvette	1100554	1	113.50	63 amp. (Delcotron)

GENERATOR (REBUILT FOR GENERAL MOTORS)

59-61	Corvette (F.I. w/H.L. Cam) (2nd design),				
62	Corvette w/Sp. H/Per., F.I.	1102195	1	36.10	35 amp. (solid mounts-dual ball bearing end frames)— (38-U) (Exchange Item— Note 1)

GENERATOR (REBUILT BY GENERAL MOTORS)

62-68	Corvette	1963778	1	49.65	(55 amp.) (Exchange Item— Note 1)
62-68	Corvette	1846935	1	44.40	(42 amp.) (Exchange Item— Note 1, 2)
66-68	Corvette	1846936	1	49.65	(61 amp.) (less pulley and fan) (Exchange Item Note 1)

NOTE 1 List price shown does not include exchange charge. Refer to Dealer Parts Price Schedule for exchange price.

NOTE 2 Replaces 37 amp. generator 1933776.

2.277 BRACKET— BOLT— BUSHING— SLEEVE— SPACER— SUPPORT— WASHER, Generator (See 2.317 for Brace)

62	Corvette (exc. Sp. H/Per., F.I.)	3725671	1	1.76	(1 ¹ / ₁₆ " high x 7" O.L.)
63	Corvette w/C.A.C.	3825461	1	4.50	
63-65	Corvette (exc. C.A.C., 396)	3860461	1	3.65	
65	Corvette	3863138	1	4.18	
66-74	Corvette (427, 454) (exc. P/S)	3882810	1	10.90	
66-74	Corvette w/P.S. (427, 454)	3878236	1	5.70	
72-74	Corvette (350),				
75-76	Corvette	3951337	1	5.45	
53-55	Corvette,				
58-62	Corvette (F.I. w/H.L. Cam, H/Per., Sp. H/Per.)	3746961	A.R.	.17	BOLT , bracket to gen. (hex. hd. 5/16"— 24 x 1 ⁵ / ₁₆ ")
72	Corvette (454)	3792380	1	.28	BOLT , gen. to bracket (5/8"— 16 x 3 ³ / ₄ ")— (6.606)
56-62	Corvette	3726026	A.R.	.15	BUSHING (1/2" I.D. x 1 ¹ / ₈ " O.D. x 2 ⁹ / ₃₂ " long)
56-57	Corvette,				
58-62	Corvette (exc. F.I. w/H.L. Cam, Sp. H/Per.)	3725275	A.R.	.11	SLEEVE , bracket bushing
63-65	Corvette (exc. C.A.C.),				
63	Corvette w/C.A.C.,				
65-67	Corvette (P.S. w/Sp. H/Per.) (327) (exc. C.A.C.),				

CHASSIS ELECTRICAL SYSTEM

2.277 BRACKET— BOLT— BUSHING— SLEEVE— SPACER— SUPPORT— WASHER, Generator (See 2.317 for Brace) (Con't)

65-67	Corvette (396, 427) (exc. P/S),				
66	Corvette (exc. 427),				
66	Corvette w/Sp. H/Per. (327) (exc. C.A.C., P/S),				
68-69	Corvette (427) (exc. P.S.),				
70-72	Corvette (454),				
73-74	Corvette (350),				
73-74	Corvette (454) (exc. P/S)	3825451	1	.12	SPACER, brkt.
65	Corvette w/Air Cond. (327),				
66-68	Corvette (327),				
69-71	Corvette (350)	3846565	1	1.20	SUPPORT, gen. mounting (on exh. man.) . . .
66-69	Corvette w/P.S. (427)	3878239	1	1.10	SUPPORT, bracket upper
66-74	Corvette w/P.S. (427, 454) (exc. H.D.)	3878240	1	.96	SUPPORT, bracket lower
70-74	Corvette w/P/S (454)	3986109	1	1.01	SUPPORT, bracket upper
53-62	Corvette	3682643	2	.05	WASHER (5/16")
All	Corvette	382105	2	.11	WASHER, gen. to bracket

2.279 ROTOR ASSY., Generator

62-68	Corvette w/1100600-0601- 0613-0615-0618-0620-0628- 0629-0633-0665-0668-0669- 0670-0693-0694-0695-0696- 0742-0750-94-95-96-0810 thru 0818-34 thru 0849	1958565	1	29.15	w/shaft
69-75	Corvette w/1100543-44-54- 0825-33-59-81-82-84-0900- 01-50	1846657	1	23.60	w/shaft

2.280 NUT— WASHER, Generator Armature

53-75	Corvette	1915172	1	.41	(5/8"— 20 thd. 1/4" thick)
53-72	Corvette	3947122	1	.53	(5/8" x 20 x 1 3/8")
53-75	Corvette	1941978	1	.07	WASHER, spring (wave) (drive end)

2.285 BRUSH, Generator

53-55	Corvette w/1100013-0018- 0028-0030-2059-2785-2786 (6 volt),				
58-59	Corvette w/1102059	1923295	2	.84	(w/lead— 1/5" x 15/16" x 1/4")
55-62	Corvette w/1100310-2020- 2005-2014-0321-26-2041-42- 43-83-84-88-96-97-2114-15- 2173-2174-2268 (12 volt)	1932506	2	.83	(w/lead— stamped 956)
62-64	Corvette w/1100600-0601- 0613-0615-0618-0628-0629- 0633-0665-0668-0669-0670	1958197	1	1.77	BRUSH UNIT
69-75	Corvette w/1100543-44-54- 0825-33-59-82-84-0900-01-50	801466	1	4.89	BRUSH UNIT, w/holder

2.291 ARM— HOLDER UNIT— SCREW— WASHER, Generator Brush

53-62	Corvette (exc. 1106981-6982, 45 amp.)	1944373	2	.53	
53-63	Corvette w/1102043-2059- 2096-2097-2114-2115-2173- 2174-2268	1925378	1	2.65	HOLDER UNIT, w/brush (ground)
53-63	Corvette w/1102043-2059- 2096-2097-2114-2115-2173- 2174-2268	1925379	1	2.58	HOLDER UNIT, w/brush (insulator
62-68	Corvette w/1100600-0601- 0613-0615-0618-0620-0628- 0629-0633-0665-0668-0669- 0670-0693-0694-0695-0696- 0697-0742-0750-0834 thru 0849	1964682	1	3.05	HOLDER UNIT, w/brush
69-75	Corvette w/1100543-44-54- 0825-33-59-82-84-0900-01-50	1876682	1	.07	SCREW, brush holder (ground)
69-75	Corvette (w/1100543-44-54- 0825-33-35-59-81-82-84- 0900-01-50)	1876681	2	.14	SCREW, brush holder (insul.)
69-70	Corvette w/1100543-54-0825- 33-59-82-84-0900-01-50	1970149	2	.11	WASHER, brush holder attach. (insul.)

2.297 FRAME, Generator Commutator End, with Bushing

53-57	Corvette (6 cyl.) (exc. P/S)	1933933	1	7.70	30 amp.
-------	--	---------	---	------	-----------------

CHASSIS ELECTRICAL SYSTEM

2.297 FRAME, Generator Commutator End, with Bushing (Con't)

59-62	Corvette w/1102173-2174-2268	1947303	1	7.05	(35 amp.)
62-69	Corvette w/1100615-0618-0620-0628-0629-0633-0665-0668-0669-0670-0693-0694-0695-0696-0697-750-0834-36-37-38-39-41-42-43-45-46-47	1852934	1	23.60	slip ring end
69	Corvette w/1100825-33-59-82,				
70-71	Corvette	1846523	1	6.90	slip ring end
72-75	Corvette	1852101	1	10.75	slip ring end

2.298 BEARING ASSY.— RETAINER— SEAL, Generator Commutator or Rotor Slip Ring End Frame

55-68	Corvette w/1102020-2025-2041-2043-2059-2084-2115-5947-6982-2173-2174-2268-5116-5123-5124-0693-94-95-96-97-950-1117754-65-82 (12 volt)	905429	1	4.08	rotor shaft end
62-75	Corvette	7451931	1	2.54	rotor slip ring end
55-62	Corvette w/1102020-25-41-43-59-84-2056-2115-5947-6982-2173-2174-5116-5123-5124-2274 (12 volt)	1929959	1	.09	RETAINER, brg. (rubber— ³ / ₃₂ " O.D. x 5 ¹ / ₄ " long)
69-75	Corvette w/1100543-44-54-0825-33-59-82-84-0900-01-50	1961323	1	.31	SEAL, slip ring end bearing

2.301 WICK— PLUG, Generator Oil

53-55	Corvette (6 volt)	1947350	1	.15	(felt ⁷ / ₃₂ " dia. x 3 ¹ / ₂ " long)— (2.364)
59-62	Corvette w/1102173-2174-2268	1948326	1	.16	PLUG

2.305 FRAME, Generator Drive End

62-68	Corvette w/1100600-0601-0613-0615-0618-0620-0628-0629-0633-0665-0668-0669-0670-0693-0694-0695-0696-0697-0742-0750-0834 thru 0849,				
69-75	Corvette	800135	1	7.55	
53-55	Corvette	1910404	1	8.55	FRAME UNIT (6 ¹ / ₈ " ctr. to ctr. attach. bolt holes) (Note 1)

NOTE 1. Consists of (1) each. frame, plate and gasket.

2.306 BEARING, Generator Drive End

53-68	Corvette (exc. w/1006976-6981-6982-6985-1117765) ..	905429	1	4.08	(2.298)
69-75	Corvette	907998	1	3.90	

2.307 PLATE— GASKET— WASHER— COLLAR— RETAINER— SLINGER— SCREW, Generator Drive End

53-69	Corvette (exc. w/1106981-6982)	1911263	1	.23	brg. ret. (¹³ / ₃₂ " I.D. x 2" O.D.)
62-75	Corvette	1971993	1	.61	brg. ret.
53-69	Corvette w/1100693-695-696-750-981-982-6982-0742-50-0834 thru 0849-1117765	1912008	1	.06	GASKET, brg. ret. plate, inner (¹³ / ₃₂ " I.D. x 2" O.D.)
53-69	Corvette w/1117765	809961	1	.08	WASHER, felt, outside (²⁹ / ₃₂ " I.D. x 1 ⁵ / ₁₆ " O.D.)
53-69	Corvette	809945	1	.07	WASHER, metal, spacer (¹¹ / ₁₆ " I.D. x ¹⁶ / ₁₆ " O.D. x ³ / ₃₂ " thk.)
69-75	Corvette	800832	1	.08	WASHER, ball brg. grease
58-61	Corvette (exc. w/1106985)	1858603	1	.46	COLLAR, metal, spacer (¹¹ / ₁₆ " I.D. x ²⁹ / ₃₂ " x ³ / ₄ ")
62-64	Corvette w/1100600-0601-0613-0615-0618-0620-0628-0629-0633-0665-0668-0669-0670	1843015	1	.43	COLLAR, brg. spacer (inside)

CHASSIS ELECTRICAL SYSTEM

**2.307 PLATE— GASKET— WASHER— COLLAR— RETAINER— SLINGER—
SCREW, Generator Drive End (Con't)**

62-75	Corvette w/1100543-4454- 0600-0601-613-615-618-620- 628-629-633-665-668-669- 693-694-695-696-697-742- 750-0825-26-33-834-836-837- 838 thru 849-859-881-882- 884-900-901-950	1959991	1	.28	COLLAR , brg. spacer (outside)
64-75	Corvette w/1100543-44-54- 0665-668-669-670-693-694- 695-696-697-742-750-0825- 26-33-0834-0849-0859-81-82- 84-0900-01-50	1963139	1	.79	COLLAR , brg. spacer (inside)
53-69	Corvette	819104	1	.06	RETAINER , felt washer (1" I.D. x 1 ⁹ / ₁₆ " O.D.)
62-68	Corvette w/1100628-33-65-68- 93-94-96-97-750	1947344	1	.11	SLINGER , ball bearing grease
53-64	Corvette	1914580	3	.04	SCREW , brg. retainer plate (No. 10— 32 x 7/ ₁₆ ")
62-75	Corvette w/1100543-44-54- 0665-668-669-670-693-694- 695-696-697-742-750-94-95- 96-0818-0825-33-0849-0859- 81-82-84-0900-01-50	1965104	3	.05	SCREW , brg. retainer plate attach.
69-70	Corvette	1851612	1	.07	SCREW , capac. lead attach.— (8.977)

2.310 COIL UNIT— STATOR ASSY., Generator Field

55-57	Corvette w/30 amp. (12 volt).				
58-62	Corvette w/1102043-2056-59- 1102096-97-2114-15-2173- 2174-2268	1922701	1	18.30	(stamped 1922701)
62-68	Corvette w/1100615-620-628- 629-668-669-670-693-695- 696-0834 thru 0842	1959381	1	21.45	STATOR ASSY.
65	Corvette w/1100697	1964122	1	27.50	STATOR ASSY.
66-68	Corvette w/1100742-750-796- 0843-45-46-47-48	1962025	1	20.70	STATOR ASSY.
69-75	Corvette w/1100544-54-0825- 82-84	1971639	1	21.30	STATOR ASSY.
69-75	Corvette w/1100543-0833-59- 0900-01-50-2353	1971986	1	21.10	STATOR ASSY.

2.313 STUD— BOLT— INSULATOR— TERMINAL— WASHER, Generator

53-62	Corvette w/1100013-0018- 0028-0030-0310-0321-0326- 2005-2025-2041-2042-2043- 2059-2083-2084-2088-2096- 2097-2114-2115-2173-2174- 2268-2785-2786	1923284	1	.46	armature terminal (7/ ₃₂ "— 24 x 1 ³⁵ / ₆₄ " O.L.) .
69-76	Corvette	3952222	1	.61	BOLT , gen. and fwd. lamp wrg. harn.
53-62	Corvette (exc. w/1106981- 6982)	1921362	1	.08	INSULATOR , terminal (plastic— 2 ¹ / ₃₂ " O.D. x 1/ ₄ " thk.)
64-68	Corvette w/1100668-670-693- 694-695-696-697-742-750- 0834 thru 0849	1959389	1	.08	INSULATOR , condenser terminal screw ...
62-68	Corvette w/1100615-618-620- 628-629-633-665-668-669- 670-693-694-695-696-697- 742-750-0834 thru 0849	1959832	1	.85	TERMINAL UNIT , battery
62-68	Corvette w/1100615-618-620- 628-629-633-665-668-669- 670-693-694-695-696-697- 742-750-0834 thru 0849	1959833	1	.85	TERMINAL UNIT , ground
69-70	Corvette,				
71-75	Corvette (350) (exc. C.A.C.)	1971704	1	1.94	TERMINAL UNIT , battery
71-75	Corvette w/C.A.C. (350),				
71-74	Corvette (454)	1846900	1	1.55	TERMINAL UNIT , battery
53-62	Corvette	1905125	1	.07	WASHER , steel, term. stud outside (1/ ₄ " I.D. x 3/ ₁₆ " O.D. x 1/ ₂ " thk.)
64-69	Corvette w/1100668-670-693- 694-695-696-697-742-750- 0834 thru 0849	1959523	1	.04	WASHER , condenser terminal insulator screw

CHASSIS ELECTRICAL SYSTEM

2.313 STUD— BOLT— INSULATOR— TERMINAL— WASHER, Generator (Con't)

68-71	Corvette w/1100543-44-54-0794-95-96-0813 thru 0818-0825-26-59-0834 thru 0848-82-84-0900-01-50	9419392	6	.05	WASHER , capacitor, gen. brush, diode junction term.— (8.926)
--------------	---	----------------	---	-----	--

2.316 BOLT, Generator Through

53-55	Corvette (6 volt)				(used w/7 ¹ / ₈ " generator),
58-62	Corvette w/1101059-2173-2268	809763	2	.45	(⁵ / ₁₆ "— 18 x 7 ⁵ / ₈ ")
62-75	Corvette w/1100543-44-54-0600-601-613-615-618-620-628-629-633-665-668-669-670-693-694-695-696-697-742-750-0825-33-0834-0849-0859-82-84-0900-01-50	1956975	4	.16	(³ / ₁₆ "— 24 x 2 ⁵ / ₆₄ ")

2.317 BRACE— SPACER, Generator (Bracket listed in Group 2.277)

NOTE Original equipment braces may be replaced by service braces which will require drilling of attaching hole and forming.
NOTE See Dealer Price Schedule (P & A 26) for applicable prices.

	Length	Slot	Offset	Shape	Part No.	Qty.	
53-55	Corvette w/spec. equip. (6 volt)	9 ¹³ / ₁₆	5 ⁷ / ₈	⁵ / ₈	Straight	3914929	1
55-56	Corvette (8 cyl.) (exc. 40 amp. L.C.I.),						
57	Corvette (8 cyl.) (exc. dual 4BC, 40-45 amp. L.C.I.)	14	4 ¹ / ₂	⁵ / ₈	Curved	3760364	1
58	Corvette (F.I. w/H.L. Cam) (2nd design),						
58	Corvette (exc. F.I. w/H.L. Cam),						
63	Corvette w/C.A.C. (exc. 62 amp.)	13	3 ¹ / ₄	¹ / ₂	Curved	3825463	1
63	Corvette (exc. C.A.C.)	12 ¹ / ₈	2 ²⁵ / ₃₂	⁹ / ₁₆	Curved	3825462	1
64-65	Corvette (Sp. H/Per. w/C.A.C.)	14 ³ / ₈	4 ¹⁹ / ₆₄	¹ / ₄	Curved	3846862	1
65-66	Corvette (P/S w/Sp. H/Per. w/hyd. lifters) (327) (exc. C.A.C.)	13	3	⁷ / ₃₂	Curved	3868882	1
66-67	Corvette w/Sp. H/Per. (327) (exc. P/S),						
70-74	Corvette (350)	12 ³¹ / ₃₂	4 ⁷ / ₆₄	¹⁷ / ₆₄	Curved	3881816	1
66-67	Corvette (427) (exc. P/S),						
68	Corvette w/H.D. (427)	13 ¹⁵ / ₃₂	3 ⁷ / ₆₄	3 ¹ / ₈	Curved	3882812	1
66-67	Corvette (327) (exc. Sp. H/Per.),						
66-67	Corvette w/Sp. H/Per. (P/S w/C.A.C.) (327),						
68-69	Corvette (exc. 427)	12 ²⁷ / ₆₄	3 ⁵ / ₃₂	¹⁷ / ₆₄	Curved	3826928	1
66-69	Corvette w/P/S (427)	10	—	3 ⁷ / ₁₆	Curved	3946000	1
68-69	Corvette (427) (exc. P/S, H.D.),						
70-74	Corvette (454) (exc. P/S)	12 ¹ / ₂	6 ⁵ / ₈	2 ¹⁹ / ₃₂	Curved	3919886	1
75	Corvette	11	3 ¹ / ₂	2	Curved	361491	1
69	Corvette (427)	3940943	1	.58	SPACER , gen. to cyl. hd. (2 ⁷ / ₈ " long)		

2.319 DIODE— BRIDGE— CAPACITOR— CONDENSER— HEAT SINK ASSY.— SCREW— SPRING— TERMINAL UNIT, Generator (Current Regulator Listed in Group 2.500)

62-68	Corvette w/1100615-618-620-628-629-633-665-668-669-670-693-694-695-696-697-742-750-0834 thru 0849	1852929	3	3.10	positive (42-52-61 amp.) (red)
62-68	Corvette w/1100615-618-620-628-629-633-665-668-669-670-693-694-695-696-697-742-750-0834 thru 0849	1959830	3	3.17	negative (42-52-61 amp.) (black)
69-75	Corvette w/1100543-44-54-0825-33-59-81-82-84-0900-01-50	1971528	1	2.96	negative (42-61-63 amp.)

CHASSIS ELECTRICAL SYSTEM

**2.319 DIODE— BRIDGE— CAPACITOR— CONDENSER— HEAT SINK ASSY.—
SCREW— SPRING— TERMINAL UNIT, Generator (Current Regulator
Listed in Group 2.500) (Con't)**

69-71	Corvette w/1100543-44-54- 0825-33-59-81-82-84-0900- 01-50	1867531	1	16.40	BRIDGE, diode (positive)
72-75	Corvette	1875627	1	13.65	BRIDGE, diode (positive)
69-70	Corvette w/1100825-33-59-81- 82,				
71-75	Corvette w/1100543-44-54- 0884-0900-0901-50	801824	1	2.59	CAPACITOR
62-69	Corvette w/1100615-618-620- 628-629-633-665-668-669- 670-693-694-695-696-697- 742-750-0834 thru 0849	1959455	1	1.34	CONDENSER
62-71	Corvette w/1100543-44-54- 0615-618-620-628-629-633- 665-668-669-670-693-694- 695-696-697-742-750-0825- 33-0834 thru 0849-59-82-84- 0900-01-50	1959828	1	16.80	HEAT SINK ASSY.
69-71	Corvette w/1100825-33-59-81- 82	1876668	1	.05	SCREW, diode— (8.913)
62-69	Corvette w/1100615-618-620- 628-629-633-665-669-670- 693-694-695-696-697-742- 750-0834 thru 0849	1960750	1	.06	SPRING, condenser retaining
62-69	Corvette	1959834	3	.37	TERMINAL UNIT, gen. junc.

2.333 SHIELD— SPACER, Battery

55-66	Corvette (12 volt) (exc. C.A.C., 396)	3831632	1	1.25	SHIELD (steel)
67	Corvette (exc. C.A.C.)	3900365	1	1.45	SHIELD
57-63	Corvette (exc. C.A.C.)	760689	4	.12	SPACER, retainer (rubber— 3/16" thk.)

2.334 BOLT— STUD, Battery Hanger Clamp

53-67	Corvette (exc. 396)	325053	A.R.	.80	(hook hd. 5/16"— 18 x 10 1/2" O.L.)
63-67	Corvette (exc. C.A.C., 396)	325192	2	1.26	STUD, retainer (5/16"— .18 x 10 1/4")

2.335 RETAINER— CLAMP— REINFORCEMENT, Battery Top

55-66	Corvette (12 volt) (exc. SBC, H.D. Bat.),				
57-63	Corvette,				
64-66	Corvette (exc. C.A.C., 396)	3710825	1	2.00	(13 9/16" O.L. x 7)
63-65	Corvette w/C.A.C.,				
65	Corvette w/Sp. H/Per. (396) ...	580517	1	.94	(8 1/2" O.L. x 4")
67	Corvette (exc. C.A.C.),				
68-76	Corvette	3919633	1	.33	CLAMP, hold down
68-76	Corvette	6270159	1	.50	CLAMP, battery
68-76	Corvette	3919636	R.H.	.73	REINFORCEMENT, hold down
68-75	Corvette	3880196	L.H.	.23	REINFORCEMENT, hold down— (14.690) ..

2.341 STRAP— CABLE, Battery Ground, with Terminal

63-64	Corvette w/C.A.C.	6296304	1	6.61	(18" O.L.) (Packard 5L-16)
62-64	Corvette (exc. C.A.C.),				
65-67	Corvette	8907354	1	5.58	CABLE (30 ctr. to ctr. holes)
68-69	Corvette (1st design)	6295070	1	8.85	CABLE (18" ctr. to ctr. holes)
69	Corvette (2nd design)	6297645	1	9.42	CABLE (16 1/2" ctr. to ctr. holes) (side terminal)
70-75	Corvette	8901981	1	10.46	CABLE (29 1/2" ctr. to ctr. holes)

STRAP, Engine Ground

56-62	Corvette	2968183	1	1.93	folding top ground, w/terminal (14 long) ...
68-76	Corvette	8901980	1	4.75	chas. grd. (13" ctr. to ctr. holes)

**2.342 CABLE— BLOCK ASSY., Battery to Starter Switch, with Terminals
(Insulated)**

55-61	Corvette (8 cyl.)	8907363	1	8.70	(29 1/2" ctr. to ctr. holes)
62	Corvette,				
66-67	Corvette (427)	6286182	1	6.15	(26" ctr. to ctr. holes)
63-67	Corvette w/C.A.C.,				
65	Corvette w/Sp. H/Per. (396) ...	8907375	1	15.55	(70" ctr. to ctr. holes)
63-65	Corvette (exc. C.A.C., 396),				
66-67	Corvette (exc. C.A.C., 427)	6291575	1	7.25	(26" ctr. to ctr. holes)
68-69	Corvette (1st design)	6295212	1	14.40	(85 ctr. to ctr. holes)
69	Corvette (2nd design),				

CHASSIS ELECTRICAL SYSTEM

2.342 CABLE— BLOCK ASSY., Battery to Starter Switch, with Terminals (Insulated) (Con't)

70-74	Corvette	8901982	1	19.19	(91" ctr. to ctr. holes)
75	Corvette	8916193	1		
74	All	340409	1	.33	BLOCK ASSY. , elec. wrng. jct.

2.343 BOLT UNIT— BRACKET ASSY.— SCREW, Battery Cable

53-69	Corvette	1846534	1	.20	w/nut for bolt type clamp
68-72	Corvette	3840474	6	1.21	BRACKET ASSY. , battery cable— (8.857)
69-70	Corvette	8900304	1	.99	SCREW , negative batt. cable (side term.)
69-72	Corvette	8905400	1	.51	SCREW , pos. batt. cable (side term.)

2.345 WASHER— COVER ASSY.— PLUG— WARMER UNIT, Battery

53-69	Corvette	378082	2	.05	pos. term. (1 ¹ / ₁₆ " I.D. x 1 ⁵ / ₁₆ " O.D. x 3 ³ / ₁₆ ")
68-75	Corvette	1876244	1	1.55	COVER ASSY. , batt. cap (Note 1)
55-74	Corvette	1876506	1	1.38	PLUG , battery filler

NOTE 1. Covers 3 filler holes.

2.361 DISTRIBUTOR, Ignition

57	Corvette (exc. F.I., H.D. Dist.)				
58-61	Corvette w/dual 4BC, H/Per.	1110891	1	83.00	w/dual points
58-61	Corvette (exc. dual 4BC, F.I.)	1111500	1	53.05	
62	Corvette w/Sp. H/Per.	1110985	1	114.00	
62-63	Corvette w/F.I.,				
64-65	Corvette w/F.I. (exc. T. Ign)	1111070	1	161.05	
62	Corvette (exc. Sp. H/Per., F.I.)				
63-64	Corvette (exc. F.I., T. Ign.)				
64-65	Corvette w/Sp. H/Per. (327)				
	(exc. T. Ign., Hyd. Lifters)	1111069	1	104.75	
65	Corvette (exc. Sp. H/Per., F.I.)	1111076	1	97.05	
65-67	Corvette (Sp. H/Per. w/Hyd. Lifters) (327) (exc. T. Ign.)	1111196	1	105.25	
65-67	Corvette (Sp. H/Per., w/Hyd. Lifters, T. Ign.) (327)	1111157	1	132.50	
66-68	Corvette (327),				
69-70	Corvette (350) (exc. H/Per., Sp. H/Per.)	1112020	1	107.00	
66-69	Corvette w/H/Per. (427) (exc. T. Ign.)	1111926	1	119.50	
66-68	Corvette w/T. Ign. (427) (exc. Sp. H/Per.)	1111294	1	131.75	
67-69	Corvette w/H.D. (427)	1111927	1	149.00	
68	Corvette (T. Ign. w/Sp. H/Per.) (327)	1111475	1	129.00	
65-69	Corvette w/Sp. H/Per. (396, 427)	1111928	1	150.25	
69	Corvette w/Sp. H/Per. (350) (exc. T. Ign.)	1111496	1	108.50	
69	Corvette w/T. Ign. (H/Per. w/4BC) (427)	1111958	1	144.50	
69	Corvette (H/Per. w/T. Ign.) (350),				
70	Corvette w/Sp. H/Per. (350)	1111491	1	150.25	
69	Corvette (T. Ign. w/Sp. H/Per.) (350)	1111971	1	120.25	
70	Corvette (454)	1111464	1	101.50	
68	Corvette w/Sp. H/Per. (327) (exc. T. Ign.),				
69	Corvette (350) (exc. T. Ign.),				
70	Corvette w/H/Per. (350)	1112021	1	118.25	
71	Corvette w/Sp. H/Per. (350)	1112038	1	151.50	
71-72	Corvette w/H/Per. (454)	1112051	1	116.50	
71	Corvette w/Sp. H/Per. (454) (exc. A.T.)	1112076	1	125.00	
71	Corvette (A.T. w/Sp. H/Per.) (454)	1112053	1	125.00	
72	Corvette w/Sp. H/Per. (350)	1112167	1	89.95	
71-72	Corvette (350) (exc. Sp. H/Per.)	1112050	1	111.75	
73-74	Corvette (454)	1112114	1	121.75	
73-74	Corvette w/Sp. H/Per. (350)	1112150	1	118.00	
73	Corvette (350) (exc. Sp. H/Per.),				
74	Corvette w/A.T. (350) (exc. Sp. H/Per.),				
74	Corvette w/4-Spd. (350) (exc. NB2, Sp. H/Per.)	1112247	1	112.50	
74	Corvette (4-Spd. w/NB2) (350) (exc. Sp. H/Per.)	1112544	1	119.00	

CHASSIS ELECTRICAL SYSTEM

2.361 DISTRIBUTOR, Ignition (Con't)

75	Corvette (350) (exc. Sp. H/Per., NB-2)	1112888	1	170.50	(H.E.I.)
75	Corvette w/NB-2 (350) (exc. Sp. H/Per.)	1112959	1	172.25	(H.E.I.)
75	Corvette w/Sp. H/Per. (350)	1112883	1	180.00	(H.E.I.)

2.362 HOUSING— CLAMP— GASKET, Distributor

58-61	Corvette	1966407	1	14.80	
62-74	Corvette	1851158	1	46.65	
75	Corvette	1876222	1	20.25	HOUSING
58-65	Corvette w/F.I.	1940639	1	9.25	CLAMP, w/nut and screw
58-65	Corvette w/F.I.	1940604	1	.12	GASKET, cover plate (four 3/16" holes)
58-65	Corvette w/F.I.	1941323	1	.12	GASKET, housing (w/1110914-15-90-1022-63-64-70)

2.363 BUSHING— CLAMP— GASKET— RETAINER— SPACER, Distributor Housing

55-61	Corvette (8 cyl.) (exc. F.I.)	1923250	2	.88	w/oil grooves (31/64" I.D. x 11/4" long)
62-65	Corvette w/F.I.	1938648	1	1.96	tach. drive shaft
55-57	Corvette (8 cyl.) (exc. distr. cont. gov.)				
69-63	Corvette w/F.I.				
68-75	Corvette	3704912	1	.48	CLAMP, mounting
55-75	Corvette (8 cyl.)	3932344	1	.11	GASKET, ign. timer dist. (1 13/16" O.D. x 1 9/32" I.D.)
57-65	Corvette w/F.I.	3745181	A.R.	.11	GASKET, mounting (1 9/32" I.D. x 1 13/16" O.D) (3/32" Slot)
60-69	Corvette	3770598	1	.11	RETAINER, ignition timer clamp
58-65	Corvette w/F.I.	3758933	1	2.83	SPACER, Mounting

2.364 LUBRICATOR UNIT— CUP— RETAINER— SEAL— WASHER, Distributor Lubricating

58-62	Corvette (8 cyl.) (exc. dual 4BC, H.L. Cam, H/Per.)				
63-74	Corvette	1852935	1	.57	
53-62	Corvette (6 cyl.)	1955293	1	.92	CUP, grease (1/8" pipe thread)
58-62	Corvette (8 cyl.) (exc. H.L. Cam, H/Per.)				
63-70	Corvette (8 cyl.)	1935621	1	.10	RETAINER, felt wick
71-74	Corvette	1963858	1	.33	RETAINER, felt wick
60-65	Corvette w/F.I.	1876413	1	1.66	SEAL, housing oil (1 O.D. x 1 9/16" thick)
63-75	Corvette (8 cyl.)	1950569	1	.09	SEAL, housing oil
58-75	Corvette (8 cyl.)	1951099	1	.08	WASHER, housing oil seal-under pole piece

2.367 CAP, Distributor

53-62	Corvette (6 cyl.)	1924248	1	4.15	(3 5/16" O.D. x 2 7/8" high)
55-57	Corvette (8 cyl.)				
58-61	Corvette w/dual 4BC, H/Per.	1917247	1	5.20	(4 O.D. x 3 high)
58-61	Corvette (8 cyl.) (exc. dual 4BC), 62				
63-74	Corvette (8 cyl.) (exc. F.I.)	1971244	1	6.55	w/latch (3 11/16" O.D.)
58-63	Corvette (F.I. w/H.L. Cam)				w/1110914-0990-1011,
62	Corvette w/Sp. H/Per.	1941551	1	14.00	w/1110985-0990
63-64	Corvette w/F.I.	1943047	1	6.65	w/1111035-063-064
75	Corvette	1875963	1	11.65	w/1112883-2888-2959

2.368 SPRING— BRUSH— COVER— SCREW, Distributor Cap Retainer

53-55	Corvette (6 cyl.)	1871838	2	.18	(1 7/8" O.L.)
75	Corvette	1875967	1	1.80	BRUSH, dist. cap. resistor (H.E.I.)
75	Corvette	1875980	1	3.09	COVER (w/1112883-2888-2959)
75	Corvette	1876153	1	.11	SCREW, dist. cap cover attach.

2.372 SHAFT— POLE PIECE— GROMMET, Distributor w/Weight Plate

58-59	Corvette (283) (1st design)	3739826	1	2.63	w/sleeve-intermediate, to oil pump
59-69	Corvette (283, 327, 350) (2nd design),				
73-74	Corvette (350)	3998287	1	2.56	intermediate, to oil pump (Note 1)
62-65	Corvette w/F.I. (1st design)	1956078	1	23.05	tach. drive (w/1110990-1022-63-64-70)
62-64	Corvette (1st design) (exc. F.I., T. Ign.)	1961402	1	14.90	w/automatic cam (w/1110984-85-1024-1062) (Note 2)

NOTE 2 3/16" drive pin hole. Also includes integral gear on center of shaft.

62-64	Corvette w/F.I. (exc. T. Ign.)	1961249	1	10.90	w/automatic cam (w/1110990-1111022-1063)
-------	--------------------------------	---------	---	-------	--

CHASSIS ELECTRICAL SYSTEM

2.372 SHAFT— POLE PIECE— GROMMET, Distributor w/Weight Plate (Con't)

64-65	Corvette (Sp. H/Per. w/Mech. Lifters) (2nd design) (exc. T. Ign.)	1964337	1	14.00	w/automatic cam (w/1111089)
65-66	Corvette (327) (exc. Sp. H/Per., F.I., A.I.R.),				
65-66	Corvette (Sp. H/Per. w/Hyd. Lifters) (327) (exc. T. Ign., A.I.R.)	1964925	1	14.85	main, w/automatic cam (w/1111076-1087)
65-66	Corvette (Sp. H/Per. w/Hyd. Lifters, T. Ign.) (327) (exc. A.I.R.)	1965299	1	15.55	main, w/cam (w/1111088)
65-66	Corvette w/Sp. H/Per. (396, 427)				
67	Corvette (Chain Drive End w/H.D.) (427)	1965902	1	16.20	main, w/cam (w/1111093-1240)
66-67	Corvette w/A.I.R. (327) (exc. Sp. H/Per., P.G.)	1966991	1	17.15	main, w/automatic cam (w/1111117)
66	Corvette (427) (exc. A.I.R., Sp. H/Per., T. Ign.)	1966992	1	17.60	main, w/automatic cam (w/1111141)
66	Corvette w/T. Ign. (427) (exc. Sp. H/Per., A.I.R.)	1966982	1	17.75	main, w/cam (w/1111142)
66-67	Corvette w/A.I.R. (Sp. H/Per. w/T. Ign.) (327)	1967236	1	17.30	main, w/cam (w/1111157)
66	Corvette (A.I.R. w/Sp. H. Per.) (327) (exc. T. Ign.),				
66	Corvette w/P.G. (327) (exc. A.I.R.)	1967241	1	17.60	main, w/auto. cam (w/1111153-56)
66-67	Corvette (A.I.R. w/Sp. H/Per.) (327) (exc. T. Ign.),				
66-68	Corvette w/P.G. (327) (exc. A.I.R.),				
69-71	Corvette (350) (exc. H/Per. Sp. H/Per.)	1968080	1	15.50	main, w/auto. cam (w/1111194-96-1490-2020-1111477)
67-68	Corvette w/4 BC (427) (exc. T. Ign.),				
69	Corvette w/H/Per. (427)	1968530	1	16.50	main, w/auto. cam (w/1111247-1293-1926)
67-68	Corvette (T. Ign. w/4BC) (427),				
69	Corvette w/T. Ign.	1968658	1	12.55	main, w/cam (w/1111248-1294-1954)
67-68	Corvette w/Sp. H/Per. (427)	1969058	1	15.40	main, w/cam (w/1111258-1296-1928)
68-69	Corvette w/H.D. (427)	1971037	1	12.75	main, w/cam (w/1111295-1927)
68	Corvette (T. Ign. w/Sp. H/Per.) (327)	1971142	1	14.35	main, w/cam (w/1111441)
68	Corvette w/Sp. H/Per. (327) (exc. T. Ign.)	1967003	1	14.35	(w/1111438)
69-70	Corvette w/H/Per. (350) (exc. T. Ign.)	800476	1	13.65	main, w/auto. cam (w/1111493-1112021)
69	Corvette H/Per. w/T. Ign. (exc. 350),				
70	Corvette w/Sp. H/Per. (350)	800473	1	13.40	main, w/auto. cam (w/1111491)
69	Corvette w/Sp. H/Per. (350)	801288	1	11.55	main, w/auto. cam (w/1111496)
70	Corvette (454)	1846045	1	14.75	main, w/auto. cam (w/1111464)
71	Corvette (350) (exc. Sp. H/Per.)	1851625	1	12.05	main, w/auto. cam (w/1112050)
71	Corvette w/Sp. H/Per. (350)	1851184	1	11.20	main, w/auto. cam (w/1112038)
71-72	Corvette (454) (exc. Sp. H/Per.)	1851184	1	12.15	main, w/auto. cam (w/1112051)
71	Corvette (Sp. H/Per. w/A.T.) (454)	1851221	1	11.45	main, w/auto. cam (w/1112053)
71	Corvette w/Sp. H/Per. (454) (exc. A.T.)	1851423	1	11.45	main, w/auto. cam (w/1112076)
66-69	Corvette (427) (exc. Sp. H/Per., H.D.),				
72	Corvette w/Sp. H/Per. (350)	1852764	1	12.25	main, w/auto. cam (w/1112101)
73	Corvette (350) (exc. Sp. H/Per.),				
74	Corvette w/A.T. (350) (exc. NB-2, Sp. H/Per.)	1870658	1	9.80	main, w/auto. cam (w/1112098)
73-74	Corvette (454)	1870672	1	12.65	main, w/auto. cam (w/1112114)
73-74	Corvette w/Sp. H/Per. (350)	1870718	1	13.80	main w/auto. cam (w/1112150)
74	Corvette (A.T. w/NB2) (350) (exc. Sp. H/Per.),				
74	Corvette w/4-Spd. (350) (exc. NB2, Sp. H/Per.)	1851624	1	23.25	(w/1112247)
74	Corvette (4-Spd. w/NB2) (350) (exc. Sp. H/Per.)	1876465	1	15.65	(w/1112544)
75	Corvette w/Sp. H/Per. (350)	830110	1	23.50	main (w/1112883) (H.E.I.)

CHASSIS ELECTRICAL SYSTEM

2.372 SHAFT— POLE PIECE— GROMMET, Distributor w/Weight Plate (Con't)					
75	Corvette (350) (exc. Sp. H/Per., NB-2)	830165	1	23.50	main (w/1112888) (H.E.I.)
75	Corvette w/NB-2 (350) (exc. Sp. H/Per.)	1891294	1	23.50	main (w/1112959) (H.E.I.)
70-74	Corvette (454) (exc. Sp. H/Per.)	3998289	1	2.09	SHAFT UNIT, w/retainer, dist. to oil pump inter.
65	Corvette w/Sp. H/Per. (396, 427),				
67-69	Corvette (427),				
71	Corvette w/Sp. H/Per. (454)	3865886	1	3.35	SHAFT UNIT, w/retainer, dist. to oil pump inter.
64-68	Corvette (Sp. H/Per. w/T. Ign.) (327) (exc. F.I.),				
66	Corvette w/T. Ign. (427) (exc. Sp. H/Per., A.I.R., T.H.),				
68	Corvette (427),				
69	Corvette (427) (exc. H/Per.),				
69	Corvette w/T. Ign.,				
70-71	Corvette w/Sp. H/Per. (350, 454)	1960779	1	26.10	POLE PIECE, w/plate (w/1111059-1060-1074-1086-88-93-98-1125-26-37-40-42-1111491-1927-28-1954-71-2038-53-76) (pick-up coil)
64-65	Corvette (F.I. w/T. Ign.)	1964276	1	25.15	POLE PIECE, w/plate (w/1111064) (pick-up coil)
65-66	Corvette (Sp. H/Per. w/Hyd. Lifters, T. Ign.) (327) (exc. A.I.R.),				
65	Corvette w/T. Ign. (396),				
67	Corvette (Chain Drive Cam w/H.D.) (427)	1964272	1	14.10	POLE PIECE, w/weight base (w/1111074-1088-1093-1098) (rotating)
67-68	Corvette (T. Ign. w/4BC) (427),				
71	Corvette w/Sp. H/Per. (454) (exc. A.T.)	1968660	1	14.30	POLE PIECE, w/weight base (w/1111248-1294-2076) (rotating)
67-69	Corvette w/Sp. H/Per. (427)	1969108	1	15.40	POLE PIECE, w/weight base (w/1111258-1296-1928) (rotating)
68	Corvette (T. Ign. w/Sp. H/Per.) (327),				
68-69	Corvette w/H.D. (427),				
69	Corvette (T. Ign. w/H/Per.) (350),				
70	Corvette w/Sp. H/Per. (350)	1967928	1	13.90	POLE PIECE, w/weight base (w/1111295-1441-1491-1927) (rotating)
69	Corvette w/T. Ign.				POLE PIECE, w/weight base (w/1111954),
71	Corvette w/Sp. H/Per. (350),				
71	Corvette (Sp. H/Per. w/A.T.) (454)	1964309	1	13.65	POLE PIECE (w/1112038-2053) (rotating)
75	Corvette	1875981	1	20.70	POLE PIECE, w/plate assy. (w/1112883-2888-2959)
64-65	Corvette w/T. Ign.,				
66-67	Corvette w/T. Ign. (427) (exc. Sp. H/Per., A.I.R., T.H.),				
67	Corvette (A.I.R.) (Sp. H/Per. w/T. Ign.) (396),				
67	Corvette w/T. Ign. (427) (exc. Sp. H/Per.),				
68	Corvette w/T. Ign. (427),				
69	Corvette (427) (exc. H/Per.),				
69	Corvette w/T. Ign.,				
70	Corvette w/Sp. H/Per. (350, 454)	1932023	1	.09	GROMMET, pole piece and plate— (2.401)
<i>NOTE 1. For use with pump having retainer ring groove.</i>					
2.374 GEAR UNIT, Distributor					
53-62	Corvette (6 cyl.)	1929578	1	4.05	w/pin (shank grooved at gear teeth) (1 ¹ / ₁₆ " long)
55-75	Corvette (8 cyl.)	1958599	1	5.35	
2.375 BEARING ASSY.— RETAINER— SEAL, Distributor Mainshaft					
57	Corvette w/F.I.	904753	1	7.02	w/snap ring
75	Corvette	830446	1	.25	RETAINER, pole piece
58-59	Corvette w/F.I.	1876413	1	1.66	SEAL, housing oil (1 O.D. x ¹⁹ / ₆₄ " thick)— (2.364)

CHASSIS ELECTRICAL SYSTEM

2.379 PIN— SHIM— WASHER, Distributor Gear

53-55	Corvette (6 cyl.)	1857502	1	.09	(³ / ₁₆ " dia. x ⁷ / ₈ " long)
56-57	Corvette,				
57-59	Corvette (F.I. w/H.L. Cam),				
60-65	Corvette w/F.I.	1927529	A.R.	.07	SHIM (¹ / ₂ " I.D. x 1 O.D. x .005" thick)
55-66	Corvette (8 cyl.),				
75	Corvette	1837617	1	.07	WASHER (¹ / ₂ " I.D. x 1 O.D. x ¹ / ₃₂ " thick) (under gear)
75	Corvette	1965864	1	.41	WASHER , tang-under gear

2.381 CAM— BUTTON, Distributor

64-65	Corvette w/F.I., Sp. H/Per. w/Mech. Lifters (exc. T. Ign.),				
67-68	Corvette w/4BC (427) (exc. T. Ign.)	1935632	1	7.35	w/1110874-1069-1070-1096-1169-1170- 1256-1297-1497-99
58-61	Corvette (F.I. w/H.L. Cam)	1957873	1	8.10	auto. and breaker (w/1110914)
62-64	Corvette (exc. F.I.),				
70-71	Corvette w/H/Per. (454)	1966686	1	7.00	w/weight plate (w/1110122-0907-0927- 0930-0948-0985-0987-1006-1016-1023- 1024-1062-1063-1075-1085-1152-1464- 1489-2051)
66-67	Corvette (A.I.R. w/P.G.) (327)	1966740	1	7.55	w/weight plate (w/1111117)
58-61	Corvette (8 cyl.) (exc. dual 4BC),				
65	Corvette (exc. Sp. H/Per., F.I.),				
65-66	Corvette (Sp. H/Per. w/Hyd. Lifters) (327) (exc. T. Ign., A.I.R.),				
66	Corvette w/P.G. (327) (exc. A.I.R.),				
66	Corvette (Sp. H/Per. w/A.I.R.) (327) (exc. T. Ign.),				
66	Corvette (396, 427) (exc. Sp. H/Per., T. Ign., T.H.),				
67-68	Corvette w/Sp. H/Per. (327) (exc. T. Ign.),				
67	Corvette w/P.G. (327) (exc. A.I.R.),				
68	Corvette (327) (exc. Sp. H/Per.),				
69	Corvette (350, 427) (exc. H.D., Sp. H/Per.),				
70	Corvette (350) (exc. Sp. H/Per.)	1967002	1	7.00	w/weight plate (w/1110920-0946-0947- 1111015-076-087-1111107-109-112- 141-150-153-156-191-1257-1481-1490- 93-1500-1925-26-2020-21)
69	Corvette w/Sp. H/Per. (350),				
70-71	Corvette w/Sp. H/Per. (350, 454) (exc. T. Ign.),				
71	Corvette (350) (exc. Sp. H/Per.),				
73-74	Corvette (454)	1963492	1	7.00	breaker (w/weight base) (w/1111496- 1957-2050-2114)
72	Corvette w/Sp. H/Per. (350)	1967002	1	7.00	w/weight plate (w/1112101)
73-74	Corvette w/Sp. H/Per. (350)	1851057	1	7.30	w/weight plate (w/1112150)
73-74	Corvette (350) (exc. Sp. H/Per.)	1870644	1	7.40	w/weight plate (w/1112098)
68	Corvette (427),				
69	Corvette (427) (exc. H/Per.),				
70	Corvette w/Sp. H/Per. (350),				
71-74	Corvette	1957329	2	.16	BUTTON , weight base (w/1111295-96- 1491-2038-50-51-53-76-2101)

2.382 ROTOR— SCREW, Distributor

53-55	Corvette (6 cyl.)	1924245	1	1.25	(¹ / ₁₆ " O.L. across top)
55-57	Corvette (8 cyl.),				
58-61	Corvette w/dual 4BC, H/Per.	1927393	1	1.50	(¹ / ₁₆ " O.L. across top)
58-61	Corvette (exc. dual 4BC),				
62-74	Corvette	1852722	1	2.31	
75	Corvette	1891080	1	3.65	ROTOR , w/1112883-2888-2959
75	Corvette	1875948	1	.11	SCREW , w/washer-rotor

**2.383 AMPLIFIER— BRACKET— CAPACITOR— DIODE— GASKET— HARNESS—
INSULATOR— MODULE— RESISTOR— RETAINER— TRANSISTOR—
SCREW, Ignition Pulse (Transistorized)**

64-69	Corvette w/T. Ign.,				
70-72	Corvette w/Sp. H/Per. (350, 454)	3955511	1	136.50	magnetic impulse

CHASSIS ELECTRICAL SYSTEM

2.383 AMPLIFIER— BRACKET— CAPACITOR— DIODE— GASKET— HARNESS— INSULATOR— MODULE— RESISTOR— RETAINER— TRANSISTOR— SCREW, Ignition Pulse (Transistorized) (Con't)

64	Corvette (Sp. H/Per. w/Air Cond. w/T. Ign.),				
64	Corvette (F.I. w/T. Ign.)	3853898	1	1.68	BRACKET, amplifier
64-72	Corvette w/T. Ign.	1960483	1	2.46	CAPACITOR (2.2 mfd.)
64-72	Corvette w/T. Ign.	1962104	1	.19	CAPACITOR (.005 mfd.)
64-72	Corvette w/T. Ign.	1960642	1	13.40	DIODE, zener
64-72	Corvette w/T. Ign.	1970226	1	1.27	GASKET, bottom plate
64-68	Corvette w/T. Ign.	6295077	1	20.90	HARNESS, amplifier
64-67	Corvette w/T. Ign.,				
68	Corvette	2986672	1	4.25	HARNESS, amplifier (5" O.L.)
69	Corvette w/T. Ign.,				
70-72	Corvette w/Sp. H/Per. (350, 454)	6297596	1	26.80	HARNESS, amp.
70-72	Corvette	800127	1	16.55	HARNESS, ign. impulse
75	Corvette	1876018	1	9.80	HARNESS, module to coil (w/1112883-2888-2959)
64-72	Corvette w/T. Ign.	1962715	1	.12	INSULATOR (Mica)
75	Corvette	1875990	1	53.10	MODULE (w/1112883-2888-2959)
64-72	Corvette w/T. Ign.	1960640	1	.17	RESISTOR (10 ohm)
64-72	Corvette w/T. Ign.	1963873	1	.45	RESISTOR (15 ohm)
64-72	Corvette w/T. Ign.	1965254	1	.16	RESISTOR (150 ohm)
64-72	Corvette w/T. Ign.	1960638	1	.51	RESISTOR (680 ohm)
64-72	Corvette w/T. Ign.	1960641	1	.19	RESISTOR (1500 ohm)
64-72	Corvette w/T. Ign.	1960639	1	.17	RESISTOR (1800 ohm)
65-66	Corvette w/Sp. H/Per. (396, 427)	3816659	3	.28	RETAINER, amplifier harness— (2.559)
66-72	Corvette w/T. Ign.	1960632	1	29.65	TRANSISTOR (2.505)
64-72	Corvette w/T. Ign.	1960643	1	7.00	TRANSISTOR, trigger
64-72	Corvette w/T. Ign.	1960584	1	10.20	TRANSISTOR, drive
75	Corvette	1891234	1	.21	SCREW, w/washer-vac. module

2.384 POINT UNIT, Distributor (Consists of Breaker Arm and Support)

55	Corvette (8 cyl.)	1938340	1	4.25	pre-assembled
58-65	Corvette (8 cyl.) (exc. dual 4BC),				
66-69	Corvette (8 cyl.) (exc. 427),				
70	Corvette (350) (exc. Sp. H/Per.)	1931988	1	4.90	pre-assembled (clip on type)
58-65	Corvette (8 cyl.) (exc. dual 4BC),				
66-67	Corvette (8 cyl.) (exc. 427)	1966289	1	4.90	pre-assembled (w/screw terminal)
56-57	Corvette w/dual 4BC, F.I.,				
58-61	Corvette w/dual 4BC, H/Per.	1938330	2	4.25	pre-assembled
66	Corvette (427) (exc. Sp. H/Per. A.I.R., T. Ign., T.H.),				
68	Corvette w/H/Per. (427) (exc. T. Ign.),				
69	Corvette w/H/Per. (427) (exc. 3/2BC),				
70	Corvette (454),				
71-74	Corvette	1966294	1	5.60	

2.385 PLATE— SLEEVE— SPRING— WASHER, Distributor Breaker

56	Corvette,				
57	Corvette (F.I. w/H.L. Cam),				
58-60	Corvette w/dual 4BC, H/Per.	1935507	1	4.73	w/1110872-79-89-91-0905-08
58-61	Corvette (8 cyl.) (exc. H.L. Cam, H/Per.),				
62	Corvette (8 cyl.) (exc. F.I., Sp. H/Per.),				
63-65	Corvette (8 cyl.),				
66	Corvette w/A.I.R. (327) (exc. P.G., T. Ign.),				
66	Corvette (427) (exc. Sp. H/Per., A.I.R., T. Ign., T.H.),				
67-68	Corvette (427) (exc. Sp. H/Per., T. Ign.)				w/1110874-0890-0907-15-20-27-30-46-47-48-84-87-1111006-15-16-23-24-62-63-69-70-73-75-85-94-96-100-07-09-12-14-16-17-19-20-32-41,
69	Corvette (H/Per. w/4BC) (350, 427)	1962141	1	3.33	w/1111481 thru 14-97-98-99-1111500-1925-26
62	Corvette w/Sp. H/Per.	1953752	1	4.83	w/1110985
70-74	Corvette	1876641	1	3.29	w/1111464-1490-93-2020-21-50-51-98-2114-2130-2150

CHASSIS ELECTRICAL SYSTEM

2.385 PLATE— SLEEVE— SPRING— WASHER, Distributor Breaker (Con't)

65	Corvette (exc. Mech. Lifters, F.I., 396),				
66-68	Corvette (327) (exc. A.I.R.),				
66	Corvette (427) (exc. Sp. H/Per., A.I.R., T.H.),				
67-68	Corvette w/P.G. (327),				
67-68	Corvette (427) (exc. Sp. H/Per., T. Ign.),				
69-74	Corvette	1961234	1	.21	SLEEVE, spring post (plastic— 1/4" O.D. x 3/16" O.L.)
58-61	Corvette (8 cyl.),				
62	Corvette (exc. Sp. H/Per., F.I.),				
63-65	Corvette (8 cyl.),				
66	Corvette w/A.I.R. (327) (exc. Sp. H/Per., P.G.),				
66	Corvette w/Sp. H/Per. (327),				
66	Corvette (427) (exc. Sp. H/Per., A.I.R., T.H.),				
67-68	Corvette w/P.G. (327),				
67-68	Corvette w/T. Ign. (Sp. H/Per. w/A.I.R.) (327),				
69-74	Corvette	1932024	1	.11	SPRING, plate retaining (w/1110874-1100890-0907-15-20-47-48-84-87-1111006-1015-16-23-59-60-62-63-64-69-70-85-86-87-88-96-107-09-12-14-16-17-19-20-15-26-32-37-38-39-41-42-1111346 thru 1111956-2020-21)
67	Corvette w/4BC (427) (exc. T. Ign.)	1882774	2	.48	SPRING, w/1111169-70-1247
64-69	Corvette w/T. Ign.,				
70-71	Corvette w/Sp. H/Per. (350, 454)	1961927	1	.80	WASHER, advance plate

2.387 CLIP— RETAINER— SCREW— SPRING, Distributor Contact Point Support Clamp

57-61	Corvette w/dual 4BC, H/Per.	1868992	2	.06	lock (w/1110891)
62-65	Corvette (8 cyl.)	1938376	1	.09	RETAINER, contact adjusting
53-61	Corvette	131954	1	.05	SCREW, support clamp (No. 8— 32 x 5/32"— 5/16" dia. sltd. hd.)— (8.907)
55-59	Corvette (8 cyl.)	451280	1	.10	SCREW, breaker lever (No. 8— 32 x 3/8" sltd. hex. hd.)— (8.900)
58-63	Corvette	9417096	1	.05	SCREW, breaker lever spring (No. 8— 32 x 1/2" O.L.)— (8.913)
58-65	Corvette	453418	2	.03	SCREW, contact attaching w/lock washer (No. 8— 32 x 5/16")— (8.906)
57-65	Corvette	1931995	1	.05	SPRING, contact adj. screw

2.388 WEIGHT, Distributor

56-57	Corvette,				
58-62	Corvette (8 cyl.) (exc. H.L. Cam, dual 4BC, 327),				
65-66	Corvette (exc. Sp. H/Per. w/Mech. Lifters, F.I.),				
65-66	Corvette w/Sp. H/Per. (396, 427),				
67-68	Corvette (327),				
70-74	Corvette	1881371	A.R.	.80	
55	Corvette (8 cyl.),				
64	Corvette w/T. Ign.,				
65	Corvette w/Sp. H/Per., F.I. (327),				
67-69	Corvette w/Sp. H/Per. (427)	1880902	2	.84	
58-61	Corvette (F.I. w/H.L. Cam),				
62	Corvette,				
63-64	Corvette (327)	1924737	1	.77	
66	Corvette w/A.I.R. (250) (exc. Sp. H/Per., P.G.),				
66	Corvette w/A.I.R. (Sp. H/Per. w/T. Ign.) (327),				
66	Corvette (427) (exc. Sp. H/Per., A.I.R., T.H.),				
68	Corvette w/H.D. (427),				
68	Corvette w/Sp. H/Per. (327)	1965843	2	.86	

2.389 SPRING, Distributor Weight

68-69	Corvette, (T. Ign w/H/Per.) (427)	1922426	2	.48	(1 1/16" free length) w/1111294
-------	-----------------------------------	---------	---	-----	---------------------------------

CHASSIS ELECTRICAL SYSTEM

2.389 SPRING, Distributor Weight (Con't)					
54-62	Corvette (6 cyl.)	1906766	2	.48	w/1110467 (⁴⁷ / ₆₄ " free length)
55	Corvette (8 cyl.)	1886508	2	.46	
56-57	Corvette w/4BC, dual 4BC,				
57-61	Corvette w/F.I. (exc. H.L. Cam)	1912189	2	.48	(³ / ₄ " free length)
58-64	Corvette (327) (exc. T. Ign.)	1943041	2	.48	(³ / ₄ " free length)
58-59	Corvette (F.I. w/H.L. Cam),				
60-61	Corvette (F.I. w/H.L. Cam, H/Per.)	1941964	2	.46	(⁴⁷ / ₆₄ " free length)
65	Corvette (exc. Sp. H/Per., F.I.),				
65-66	Corvette (Sp. H/Per. w/Hyd. Lifters) (exc. T. Ign., A.I.R.)	1884094	2	.42	(⁴⁹ / ₆₄ " free length)
64	Corvette,				
65	Corvette w/Sp. H/Per., F.I. (exc. T. Ign., Hyd. Lifters)	1883498	2	.48	(²³ / ₃₂ " free length)
66-67	Corvette w/A.I.R. (Sp. H/Per. w/T. Ign.) (327)	1941524	2	.46	(⁴⁷ / ₆₄ " free length)
64-65	Corvette w/T. Ign. (exc. Sp. H/Per. w/Hyd. Lifters)	1964346	2	.57	(⁴³ / ₆₄ " free length)
65-66	Corvette (Sp. H/Per. w/Hyd. Lifters, T. Ign.) (327) (exc. A.I.R.)	1964950	2	.48	(⁴⁵ / ₆₄ " free length)
65-66	Corvette w/Sp. H/Per. (396, 427),				
66	Corvette w/H/Per. (396),				
67	Corvette w/H.D. (427)	1965903	2	.47	(¹⁷ / ₃₂ " free length) (w/1111074-93-95-1240-1949)
66	Corvette (427) (exc. Sp. H/Per., T. Ign.)	1911484	2	.45	
66	Corvette w/T. Ign. (427) (exc. Sp. H/Per.)	1884929	2	.48	
66	Corvette w/P.G. (327),				
66	Corvette (A.I.R. w/Sp. H/Per.) (327) (exc. T. Ign.)	1923139	2	.42	
66	Corvette w/P.G. (327) (exc. A.I.R.),				
66-67	Corvette (327) (exc. T. Ign.),				
68	Corvette (327) (exc. Sp. H/Per.)				w/1111193-94-96,
69-70	Corvette (350) (exc. H/Per., Sp. H/Per.),				
69	Corvette w/3/2BC (427)	1951743	2	.48	w/1111490-2020
67-69	Corvette w/Sp. H/Per. (427)	1969107	2	.56	
68-69	Corvette w/H.D. (427)	1971039	2	.43	w/1111295-1927
68	Corvette w/Sp. H/Per. (327) (exc. T. Ign.)	1967643	1	.52	w/1111438-88-1957
68	Corvette (T. Ign. w/Sp. H/Per.) (327),				
71	Corvette w/Sp. H/Per. (454) (exc. A.T.)	1925574	2	.48	w/1111297-1441-2076
69	Corvette (H/Per. w/4BC) (427)	1882774	2	.48	w/1111169-70-1497-99-1925-26
69	Corvette (Sp. H/Per. w/T. Ign.) (350),				
70	Corvette w/Sp. H/Per. (350)	800474	2	.44	w/1111491
69	Corvette w/Sp. H/Per. (350) (exc. T. Ign.)	1970926	2	.42	w/1111496
69-70	Corvette w/H/Per. (350)	800477	2	.46	w/1111493-2021
70	Corvette (454)	1968543	2	.52	w/1111464
71	Corvette (350) (exc. Sp. H/Per.),				
73-74	Corvette (454)	1851764	2	.48	w/1112050-2114
71	Corvette w/Sp. H/Per. (350)	1851347	2	.46	w/1112038
71-72	Corvette (454) (exc. Sp. H/Per.)	1882956	2	.48	w/1112051
71	Corvette (Sp. H/Per. w/A.T.) (454)	1851348	2	.46	w/1112053
72	Corvette w/Sp. H/Per. (350)	1939480	2	.46	w/1112101
73-74	Corvette w/Sp. H/Per. (350)	1851056	2	.48	w/1112150
73-74	Corvette (350) (exc. Sp. H/Per.)	1870640	2	.46	w/1112098
2.390 PLATE, Distributor Weight and Cam, with Stop					
53-61	Corvette	1885557	2	.60	(has four ³ / ₁₆ " attach. holes)
2.393 CONDENSER— CAPACITOR— BRACKET— SCREW— SHIELD UNIT, Distributor with Bracket and Lead					
53-55	Corvette (6 cyl.),				
55-57	Corvette (8 cyl.),				
58-61	Corvette w/dual 4BC	1928111	1	1.71	spade type terminal

CHASSIS ELECTRICAL SYSTEM

2.393 CONDENSER— CAPACITOR— BRACKET— SCREW— SHIELD UNIT, Distributor with Bracket and Lead (Con't)

58-61	Corvette (exc. dual 4BC, H.L. Cam),				
62	Corvette (exc. F.I.),				
63-65	Corvette (8 cyl.) (exc. T. Ign.),				
66	Corvette w/A.I.R. (327) (exc. P.G., T. Ign.),				
66	Corvette (427) (exc. Sp. H/Per., A.I.R., T. Ign., T.H.),				
67-68	Corvette w/P.G. (327),				
67-68	Corvette (427) (exc. Sp. H/Per., T. Ign.),				
69-71	Corvette (8 cyl.) (exc. Sp. H/Per.),				
72-74	Corvette	1932004	1	1.71	
75	Corvette	1876154	1	2.67	CAPACITOR, dist.
58-61	Corvette (8 cyl.) (exc. H.L. Cam, H/Per.),				
62	Corvette (exc. Sp. H/Per., F.I.),				
63-65	Corvette (8 cyl.) (exc. T. Ign.),				
66	Corvette w/A.I.R. (327) (exc. P.G., T. Ign.),				
66	Corvette (427) (exc. Sp. H/Per., A.I.R., T. Ign., T.H.),				
67-68	Corvette w/P.G. (327),				
67-68	Corvette (427) (exc. Sp. H/Per., T. Ign.),				
69-71	Corvette (8 cyl.) (exc. Sp. H/Per.),				
72-75	Corvette	1869573	1	.08	BRACKET, condenser-capacitor
62	Corvette w/Sp. H/Per.	1944118	1	.08	BRACKET, condenser
70-71	Corvette (350) (exc. Sp. H/Per.),				
71-74	Corvette	1846215	2	.06	SCREW, w/lock washer, radio interference shield (w/1112020-21-50-51-98-2114-2130-2150)
75	Corvette	1876639	1	.10	SCREW, capacitor brkt.
70-74	Corvette	1846216	1	2.20	SHIELD UNIT, radio frequency interference (w/1112020-21-50-51-98-2114-2130-2150)

2.400 LEAD— CONNECTOR, Distributor Terminal

56-61	Corvette w/dual 4BC,				
57	Corvette (F.I. w/H.L. Cam)	1935585	1	.76	7 ⁵ / ₁₆ " long
56-61	Corvette	1865978	1	.47	breaker lever (3 ³ / ₄ " long)
58-60	Corvette (8 cyl.) (exc. dual 4BC, F.I.),				
58-60	Corvette w/4BC,				
62	Corvette (exc. Sp. H/Per., F.I.),*				
63-65	Corvette (8 cyl.) (exc. T. Ign.),				
66	Corvette w/A.I.R. (327) (exc. P.G., T. Ign.),				
66	Corvette (427) (exc. Sp. H/Per., A.I.R., T. Ign., T.H.),				
67-68	Corvette w/P.G. (327),				
67-68	Corvette (427) (exc. Sp. H/Per., T. Ign.),				
69-70	Corvette (exc. Sp. H/Per.),				
73-74	Corvette	1932002	1	.34	breaker plate ground (w/1110874-0890-0915-0946-0947-0948-0984-0987-1006-1015-16-22-23-24-62-63-60-70-73-75-76-85-87-96-100-109-114-117-120-132-141-149-150-1931-194-1961-249-1480 th f/40°&° j 10 110%K
58	Corvette w/4BC, F.I. (exc. H.L. Cam),				
59-61	Corvette (8 cyl.) (exc. dual 4BC, F.I.),				
62	Corvette (exc. Sp. H/Per., F.I.),				
63-65	Corvette (8 cyl.) (exc. F.I., T. Ign.),				
66	Corvette w/A.I.R. (327) (exc. P.G., T. Ign.),				
66	Corvette (427) (exc. Sp. H/Per., A.I.R., T. Ign., T.H.),				
67-68	Corvette w/P.G. (327),				

CHASSIS ELECTRICAL SYSTEM

2.400 LEAD— CONNECTOR, Distributor Terminal (Con't)

67-68	Corvette (427) (exc. Sp. H/Per., T. Ign.)				
69-70	Corvette (exc. Sp. H/Per.)	1942518	1	.72	primary (used w/1111490-93 for 1970)
58-61	Corvette w/F.I. (exc. H.L. Cam),				
63-65	Corvette w/F.I.	1950278	1	.70	
62	Corvette w/Sp. H/Per.	1953751	1	.51	dual contact connector
70-71	Corvette (350, 454) (exc. Sp. H/Per.)				
72	Corvette	1846199	1	.74	primary, w/1111464-2020-21-50-51-2130
73-74	Corvette	1875613	1	.79	primary, w/1112098-2114-2150
75	Corvette	1876155	1	.58	w/terminal, ground
64-69	Corvette w/T. Ign.,				
70-71	Corvette w/Sp. H/Per. (350)	2973782	1		CONNECTOR, male (2-way 1²¹/₃₂" O.L.)— (2.530)

2.401 BUSHING— GROMMET— NUT, Distributor Terminal

53-55	Corvette (6 cyl.)	1924370	1	.24	stud (outside)
58-62	Corvette (8 cyl.) (exc. dual 4BC),				
63-65	Corvette (8 cyl.) (exc. F.I.),				
66	Corvette w/A.I.R. (327) (exc. P.G., T. Ign.),				
66	Corvette (427) (exc. Sp. H/Per., A.I.R., T. Ign., T.H.),				
67-68	Corvette w/P.G. (327),				
67-68	Corvette (427) (exc. Sp. H/Per., T. Ign.),				
69-74	Corvette	1932023	1	.09	GROMMET, housing
63-65	Corvette w/F.I.,				
64-65	Corvette (F.I. w/T. Ign.)	1963928	1	2.47	GROMMET, lead
53-55	Corvette (6 cyl.)	1924372	1	.14	NUT, round

2.408 SWITCH ASSY.— CLIP— CONNECTOR— EXHAUST EMISSION CONTROL UNIT— LEAD ASSY.— OCTANE ADJUSTMENT UNIT— RELAY ASSY.— SOLENOID ASSY., Distributor Spark Advance Trans. Electric Control (Also see Group 4.075)

70-71	Corvette (exc. A.T.)	3961567	1	2.75	trans. control spark— (4.075)
70-71	Corvette w/A.T.	6462286	1	2.01	trans. control spark— (4.075)
72	Corvette w/A.T.	8627332	1	6.50	trans. control spark— (4.075)
72	Corvette (exc. A.T.)	3996286	1	2.75	trans. control spark— (4.075)
74	Corvette (454)	3030200	1	7.95	thermo vac.
70-72	Corvette	8623766	1	.19	CLIP, control switch wire lead— (4.075)
70-72	Corvette w/A.T.	8626597	1	2.69	CONNECTOR, trans. control switch— (4.075)
55-67	Corvette	3023803	1	11.75	EXHAUST EMISSION CONTROL UNIT
70-72	Corvette w/A.T.	8626426	1	1.56	LEAD ASSY., w/conn., trans. control switch— (4.075)
69-71	Corvette w/A.T. (300 H.P.) (350)	1851780	1	2.03	OCTANE ADJUSTMENT UNIT
70	Corvette	3961573	1	2.59	RELAY ASSY., trans. control spark— (4.075)
71	Corvette	3990842	1	2.28	RELAY ASSY., trans. cont. switch reversing— (4.075)
72	Corvette	3996297	1	3.35	RELAY ASSY., control vac. advance delay— (4.075)
73	Corvette	6270698	1	1.98	RELAY ASSY., trans. control spark delay— (4.075)
70	Corvette (350)	1114432	1	8.45	SOLENOID ASSY., spark control
70	Corvette w/H/Per. (454)	1114434	1	9.35	SOLENOID ASSY., spark control
72	Corvette (350)	1114451	1	9.85	SOLENOID ASSY., spark cont.
73-74	Corvette (454) (exc. A.T.)	1997411	1	9.20	SOLENOID ASSY., spark cont.
73-74	Corvette (350) (exc. A.T.)	1997410	1	8.60	SOLENOID ASSY., spark control
73-74	Corvette (350) w/A.T.	1997425	1	8.10	SOLENOID ASSY., thermo. override
73-74	Corvette (454) w/A.T.	1997413	1	8.25	SOLENOID ASSY., temp. cont. spark

2.410 CONTROL, Distributor Vacuum

53-55	Corvette (6 volt)	1925518	1	5.65	complete (stamped 076)
55-57	Corvette (8 cyl.)	1116104	1	6.55	w/1110874 (Note 2)
<i>NOTE 2. May be necessary to plug vacuum outlet on Corvette.</i>					
58-59	Corvette w/F.I. (exc. H.L. Cam),				
60-61	Corvette w/F.I. (exc. H.L. Cam)				w/1110915,
66-68	Corvette w/A.I.R. (327) (exc. Sp. H/Per., P.G.),				
66-67	Corvette (427) (exc. Sp. H/Per., A.I.R.)	1115355	1	3.62	w/1111100-12-17-40-41-42-53-94-1257-1481-1499-1949-50

CHASSIS ELECTRICAL SYSTEM

2.410 CONTROL, Distributor Vacuum (Con't)

59-61	Corvette (8 cyl.) (exc. dual 4BC, F.I.)				
62	Corvette (exc. Sp. H/Per., F.I.)				
63	Corvette (8 cyl.)				
64	Corvette (8 cyl.) (exc. Sp. H/Per., F.I.)				
65	Corvette (Sp. H/Per. w/T. Ign.) (396)				
69	Corvette w/Sp. H/Per. (427)				
69	Corvette w/T. Ign. (350)				
70	Corvette w/Sp. H/Per. (350)	1116163	1	3.37	w/1111491
64-67	Corvette w/Sp. H/Per., F.I. (327)	1116236	1	4.02	w/1111060-62-63-64-69-70-85-86-87-88-119-125-156-157-196
65	Corvette (327) (exc. Sp. H/Per., F.I.)				
69-70	Corvette (350) (exc. H/Per., Sp. H/Per.)	1115357	1	3.64	w/1111109-37-73-75-76-98-109-120-126-137-1482-88-89-90-2020
65-66	Corvette w/Sp. H/Per. (396, 427)				
67-68	Corvette w/4BC (427)				
69	Corvette w/H/Per. (350, 427)				
70	Corvette w/H/Per. (350)				
70	Corvette w/H/Per. (454)	1115360	1	3.62	w/1111093-1170-1247-48-1464-93-1926-1954-2021
67-69	Corvette (Chain Drive Cam w/H.D.) (427)	1115373	1	3.65	w/1111240-1295-1927
71-72	Corvette (350)	1973437	1	3.59	w/1112038-50
71	Corvette (454) (exc. Sp. H/Per.)				
72	Corvette (454)	1973436	1	3.59	w/1112051
71	Corvette w/Sp. H/Per. (454)	1973439	1	3.54	w/1112053-76
73-74	Corvette (350) (exc. Sp. H/Per.)	1973446	1	3.59	w/1112098
73-74	Corvette w/Sp. H/Per. (350)	1973448	1	3.65	w/1112150
73-74	Corvette (454)	1116212	1	4.00	w/1112114
75	Corvette	1973482	1	4.48	w/1112883-2959
75	Corvette	1973517	1	5.85	w/1112888

2.414 SCREW, Dist. Vac. Control

75	Corvette	1891239	2	.08	vac. control
----	----------	---------	---	-----	--------------

2.420 COUPLING— HOSE— TEE, Distributor Vacuum Control

53-55	Corvette (6 cyl.) (for 3/16" pipe)	1883027	1	.96	(3/8"— 24 int. x 5/8"— 18 ext. x 3/8" hex.)
53-70	Corvette	3982953	1	RL/.56	HOSE (5/32" I.D.)— (8.962)
69	Corvette (T.H. 400 w/H/Per.) w/3/2BC (427)	3752621	1	.20	TEE, spark control hose— (4.205)

2.447 SWITCH ASSY.— BRACKET— NUT— STRIKER, Stop Lamp

53-75	Corvette	3886906	1	1.95	(plunger type)
68	Corvette	1993446	1	8.40	(w/lever)
69-76	Corvette	3952897	1	.20	BRACKET, switch
66	Corvette	9420171	2	.05	NUT (1/2"— 20, type R-ZC)— (8.921)
69-75	Corvette (exc. P.B.)	3974794	1	.20	STRIKER, switch
69-76	Corvette w/P.B.	3974795	1	.26	STRIKER, switch
74-76	Corvette	3961556	1	1.75	CAPACITOR, stop lamp switch— (9.663)

2.459 SWITCH— CLIP— PEDAL— PLATE, Headlamp Dimmer

53-55	Corvette (6 volt)	1997008	1	4.65	3 overall length
55-62	Corvette	1997023	1	4.85	2 hole mounting flange (Note 1)
<i>NOTE 1. 1955-56 model initial installation also requires connector 2962449.</i>					
63-76	Corvette	1997043	1	2.94	
67	Corvette,				
72	Corvette	1361699	1	.17	CLIP, stop lamp switch
69-76	Corvette	3940687	1	.90	PEDAL, dimmer switch
63-74	Corvette	3915692	1	.26	PLATE, switch mounting
68-76	Corvette	3922387	1	.31	PLATE, dimmer pedal mounting
75-76	Corvette	344842	1	.26	PLATE, dimmer switch mtg.

2.461 BUZZER ASSY., Headlamp Warning

75-76	Corvette	364079	1		headlamp warning
-------	----------	--------	---	--	------------------

2.480 HARNESS ASSY.— EXTENSION— GROMMET, Chassis Wiring (Segmented)

58-62	Corvette	2980982	1	75.15	(cover 148 O.L.) (w/junction block) (forward lamp and instrument cluster)
58-62	Corvette	2970213	1	4.95	regulator to generator (cover 11 O.L.)

CHASSIS ELECTRICAL SYSTEM

2.480 HARNESS ASSY.— EXTENSION— GROMMET, Chassis Wiring (Segmented) (Con't)

63-65	Corvette	2983580	1	25.00	headlamp
68	Corvette w/electric window wiring	6295075	1	31.25	window regulator— (13.090)
69	Corvette w/electric window	6297547	1	49.50	window reg.— (13.090)
70-74	Corvette w/electric window	8901971	1	30.80	window regulator— (13.090)
75	Corvette w/electric window	8908478	1	49.80	window regulator— (13.090)

INSTRUMENT PANEL

63	Corvette	2983972	1	60.75	
65-66	Corvette	2988869	1	63.75	
67	Corvette	6291166	1	75.00	
68	Corvette	6295277	1	72.25	
69	Corvette w/C.A.C.	6297661	1	74.00	
69	Corvette (exc. C.A.C.)	6297660	1	79.25	(Note 1)

NOTE 1 When using 6297660 in place of 6297583, use connector on clutch safety switch lead of 6297583 in place of connector same lead on 6297660.

70	Corvette (exc. C.A.C.) (2nd design)	8901750	1	145.25	
70	Corvette w/C.A.C. (2nd design)	8901752	1	145.25	
71-72	Corvette (exc. C.A.C.)	8908174	1	182.00	
71	Corvette w/C.A.C.	8908126	1	87.60	
72	Corvette w/C.A.C.	8908175	1	182.00	
73	Corvette (exc. C.A.C.)	8908238	1	182.00	(Note 2)
73	Corvette w/C.A.C.	8908239	1	182.00	(Note 2)

NOTE 2: Used on vehicles having a nylon tube to oil gauge.

74	Corvette (exc. C.A.C.)	8908356	1	182.00	
74	Corvette w/C.A.C.	8908357	1	182.00	
75	Corvette w/A.T.	8908569	1	145.25	
75	Corvette (exc. A.T.)	8908570	1	145.25	

GENERATOR AND FORWARD LAMP

66	Corvette	6289375	1	33.25	
67	Corvette	6292088	1	46.75	
68	Corvette	6295258	1	114.00	
69	Corvette	6297568	1	85.60	
70-71	Corvette	8901918	1	91.15	(Note 1)

NOTE 1: Make jumper wire for R.H. horn.

72-73	Corvette	8908264	1	79.75	
74	Corvette	8908454	1	74.95	
75	Corvette	8908472	1	91.15	
64-66	Corvette	2987817	2	6.20	EXTENSION, headlamp harness
68-75	Corvette	3919057	2	.13	GROMMET

2.482 RETAINER, Harness Assy.

65-74	Corvette	3816659	3	.28	headlamp harness— (2.559)
-------	----------	---------	---	-----	---------------------------

2.485 SWITCH— BREAKER ASSY.— BUZZER ASSY.— STRAP, Lighting

53-55	Corvette (6 volt)	1995041	1	12.40	snap-on term., less fuse
55-57	Corvette (12 volt)	1995082	1	11.85	
58-62	Corvette	1995096	1	10.00	
63	Corvette	1995095	1	10.40	
64-67	Corvette	1995179	1	6.50	
68-76	Corvette	1995191			
75	Corvette	2474055	1	1.75	BREAKER ASSY., elec. wdo. reg. mtr. circ.
75	Corvette w/map lamp	344835	1	3.20	BUZZER ASSY.,hdlp. warning
68-76	Corvette	3928779	1	.11	STRAP, light switch ground

2.486 ROD— NUT ASSY., Lighting Switch, with Knob

61-62	Corvette	3782624	1	.78	
66	Corvette	3876490	1	1.45	
67	Corvette	3901626	1	1.05	
68-71	Corvette	3961512	1	.85	
72-76	Corvette	3986884	1	1.30	(w/graphic knob)
68-76	Corvette	3916710	1	.43	NUT ASSY., rod

2.487 FERRULE— BEZEL, Lighting Switch Rod

61-62	Corvette	1959820	1	.56	
63-66	Corvette	1960721	1	1.06	
58-62	Corvette	3820532	1	.41	BEZEL, aluminum
68-76	Corvette	3951226	1	.68	BEZEL, lights

CHASSIS ELECTRICAL SYSTEM

2.500 REGULATOR— CUSHION— NUT— SCREW, Electrical Output (See Group 2.319 for Breaker)

53-55	Corvette w/1100018-2785-2786-5002-5009 (6 volt)	1118827	1	27.25	40-45 amp. (stamped 872) (Exchange Item— Note 1)
55-59	Corvette (12 volt),				
60-61	Corvette (exc. F.I. w/H.L. Cam, H/Per.)	1119261	1	23.50	35 amp. (Exchange Item— Note 1, 2, 3)
59-61	Corvette (F.I. w/H.L. Cam, H/Per.),				
62	Corvette	1119305	1	24.95	35 amp. (w/1102115) (Exchange Item— Note 1)
63-64	Corvette,				
65-66	Corvette (Sp. H/Per. w/C.A.C.) (exc. 62 amp., T. Ign.)	1119515	1	21.20	
67-68	Corvette	1116378	1	48.90	(Exchange Item— Note 1)
65	Corvette (T. Ign. w/C.A.C.) (exc. 62 amp.)	1116378	1	48.90	(Exchange Item— Note 1)
69	Corvette w/1100825-33-59-82,				
70-75	Corvette w/1100543-44-54-0884-900-901-50	1116387	1	22.00	
63	Corvette (exc. 62 amp.)	3840533	3	.53	CUSHION , regulator mounting (w/1119512) (2 ¹ / ₄ " x 5 ⁵ / ₈ " x 3 ³ / ₄ "— rubber)
64-75	Corvette	3876130	A.R.	.15	NUT , w/grommet regulator (No. 10-24)
64-75	Corvette	3876129	A.R.	.10	SCREW , voltage and current reg.

NOTE 1 List price shown does not include exchange charge. Refer to Dealer Parts Price Schedule for exchange price.

NOTE 2 Also used w/1105947 low cut-in generator.

NOTE 3 When using on Models with 348 engine, it will be necessary to use 1944355 Grommet in lower attaching hole.

2.510 TRANSISTOR, Voltage Regulator Output

65-66	Corvette (T. Ign. w/C.A.C.) (exc. 62 amp., F.I.),				
67-72	Corvette w/T. Ign.	1960632	1	29.65	

2.515 AMMETER— GAUGE ASSY.— INSULATOR, Electrical Output (see group 9.748 for tell tale windows)

63	Corvette	1502578	1	20.39	
64	Corvette	1502876	1	19.39	
65-67	Corvette	1503035	1	8.31	
68-74	Corvette	6473859	1	14.21	GAUGE UNIT , ammeter
75	Corvette	6474266	1	11.24	GAUGE ASSY. , ammeter

2.525 HARNESS, Starting, Ignition

AMMETER TO STARTING SWITCH

58-62	Corvette (exc. P.G.)	2971440	1	13.25	
<i>NOTE 1 When using 2987814, part 2988863 (9.276) must also be used.</i>					
63-65	Corvette (exc. C.A.C., 396)	2983579	1	24.50	
65	Corvette w/Sp. H/Per. (396)	6287038	1	24.50	
66	Corvette	6289375	1	33.25	(2.480)
67	Corvette	6292088	1	46.75	(2.480)
68	Corvette	6295276	1	27.50	
69	Corvette	6297582	1	24.50	
70	Corvette w/A.T.	8901874	1	33.00	
70	Corvette (exc. A.T.)	8901875	1	34.25	
71	Corvette (exc. A.T.)	8901882	1	24.50	
71	Corvette w/A.T.	8901883	1	31.50	
72	Corvette w/A.T. (454)	8908125	1	35.70	
72	Corvette (454) (exc. A.T.)	8908124	1	34.00	
72	Corvette (350) (exc. A.T.)	8901983	1	32.25	
72	Corvette w/A.T. (350)	8901984	1	33.75	
73	Corvette w/A.T. (454)	8908247	1	35.70	(Note 1)
73	Corvette w/4-Spd. (350)	8908244	1	35.70	(Note 1)
73	Corvette w/A.T. (350)	8908245	1	35.70	(Note 1)
74	Corvette (350) (exc. A.T.)	8908342	1	35.70	
74	Corvette w/A.T. (350)	8908343	1	35.70	
74	Corvette (454) (exc. A.T.)	8908344	1	35.70	
74	Corvette w/A.T. (454)	8908345	1	35.70	
75	Corvette	8919837	1	75.25	

NOTE 1: Used on vehicles having a nylon tube to oil gauge.

NOTE 2: Used on vehicles having electric oil pressure gauge sending unit.

CHASSIS ELECTRICAL SYSTEM

2.530 TERMINAL— CONNECTOR— CONNECTION BODY— KIT— WIRE, Electrical

NOTE For illustration on terminals and connectors see Standard Parts Catalog (P&A 24).

65-67	Corvette	5640012	A.R.	.16	instr. cluster ground term.
67	Corvette w/T. Ign.	2965027	1	.07	ignition switch to ignition pulse amplifier harness (male) (used w/12 gauge wire)
68-75	Corvette	6481179	1	.55	speedo. and tach. ground
69-73	Corvette	6430312	1	.48	gas gauge (L.H. bend)
69-73	Corvette	6430313	1	.48	gas gauge (R.H. bend)
69-73	Corvette	6402973	1	.57	temp. gauge to ign.— (9.735)
69-73	Corvette	6402974	1	.57	temp. gauge sender— (9.735)
69-73	Corvette	6430852	1	.57	temp. gauge ground— (9.735)
69-73	Corvette	6473074	1	.57	amp. gauge to gen.— (9.735)
69-73	Corvette	6473075	1	.57	amp. gauge to batt.— (9.735)
70-75	Corvette	5640018	1	.14	(³⁹ / ₆₄ " O.L.)
75	Corvette w/C.A.C.	6402685	1	.48	blower mtr.
58-63	Corvette	2973871	1	.28	CONNECTOR, light switch, 56 series (7 female terminals)
63-64	Corvette	2977268	1	.21	CONNECTOR, ignition switch, 56 series lock type (5 female terminals)
65	Corvette w/Sp. H/Per. (396)	2984528	1	.23	CONNECTOR, ignition switch lead of instr. panel harness
67-76	Corvette w/elec. window	6288909	2	.23	CONNECTOR, window wiring harness
68-76	Corvette	3927320	1	.46	CONNECTOR, stop lamp switch capacitor
73-75	Corvette w/C.A.C.	2977253	1	.15	CONNECTOR, inst. panel wiring harness (1 female terminal)
74	Corvette	2984883	1	.21	CONNECTOR, seat lap belt wire (R.H.)
74-76	Corvette	8900826	1	.42	CONNECTOR, seat lap belt wire (L.H.)
All	All	2984570	A.R.	.50	CONNECTION BODY (4-contact)
75	Corvette	2984528	1	.23	CONNECTOR, seat sep. compt. lamp switch (56 series-1 male terminal)
All	All	2984958	A.R.	1.20	CONNECTION BODY (3-contact)
75	All	1684873	A.R.	N.L.	KIT, alum. wire term. repair
67	Corvette	8903488	A.R.	RL/12.80	WIRE, fusible (14 gauge) (50 ft. coil)

2.559 CLIP— RETAINER— STRAP, Chassis Wiring Harness

61-62	Corvette				body wiring harness
65-72	Corvette	3788712	A.R.	.10	headlamp, engine wiring, gen. and forward lamp
68-76	Corvette	3928767	1	.20	battery pos. to engine
68-72	Corvette	3927327	1	.15	window reg. wrg. harness clip, fuel tank mtr. wrg.
71-76	Corvette	3983946	A.R.	.10	wrg. harness to console, A/C wrg. harn.
73-75	Corvette w/Sp. H/Per. (350)	336402	4	.15	engine wiring harness
73-75	Corvette	3901794	A.R.	.21	instrument panel wiring harness to plenum, engine wiring harness to dash, gen. and fwd. lamp wiring harness to fdr. skirt
74-76	Corvette	3833476	1	.15	inst. pnl. wrg. harn. to park brake
75	Corvette	355930	1	.60	pos. cable to oil pan.
53-74	Corvette	3816659	A.R.	.28	RETAINER, adjustable (plastic push-in) (for 2" dia. cables)
73-75	Corvette	1239007	1	.11	STRAP, wiring harness

2.575 SWITCH ASSY.— BEZEL— BRACKET— CLIP— FLAG— FLARE ASSY.— FLASHER ASSY.— GASKET— KNOB— LAMP ASSY.— LEVER— NUT— SOCKET ASSY.— SCREW, Emergency and Safety

LAMP SOCKET REPLACEMENT

It is necessary to carefully check the parts catalogs for correct model application when replacing lamp socket assemblies. If incorrect sockets are used for replacement, the bulb filament will be in the wrong location with respect to the lens and/or reflector. As a result, the lamp may fail to meet the required lighting standards.

67-68	Corvette	5698520	1	18.95	dir. sig. and traffic hazard (Boyne)— (2.895)
69-75	Corvette (exc. T.W., Tel. W.)	1997969	1	15.20	dir. sig. and traffic hazard— (2.895)
69-75	Corvette w/T.W., Tel. W.	1997950	1	19.65	dir. signal and traffic hazard— (2.895)
68	Corvette	3927459	2	1.06	BEZEL, rr. qtr. side marker lamp
68-69	Corvette	1384230	4	.30	BRACKET, frt. fdr. & rear quarter side marker lamp
66	Corvette	2973342	2	.30	CLIP, lamp switch harness
53-75	Corvette	3891443	1	.77	FLAG, distress— (8.821)
53-75	Corvette	3891442	1	1.23	FLARE ASSY., distress— (8.821)
66-76	Corvette	491391	1	3.30	FLASHER ASSY., hazard lamp, anti-theft horn
68-69	Corvette	5960511	4	.17	GASKET, frt. fdr. and rr. qtr., side
64-66	Corvette	3929510	1	.54	KNOB, traffic hazard lamp switch control

CHASSIS ELECTRICAL SYSTEM

**2.575 SWITCH ASSY.— BEZEL— BRACKET— CLIP— FLAG— FLARE ASSY.—
FLASHER ASSY.— GASKET— KNOB— LAMP ASSY.— LEVER— NUT—
SOCKET ASSY.— SCREW, Emergency and Safety (Con't)**

67-72	Corvette (exc. T.W., Tel. W.),				
73-75	Corvette	411525	1	1.50	KNOB ASSY., traffic hazard warning
69-72	Corvette w/T.W., Tel. W.	411525	1	1.50	KNOB ASSY., traffic hazard warning
68	Corvette	916581	2	4.75	LAMP ASSY., frt. fdr. marker
68-69	Corvette	916632	2	4.75	LAMP ASSY., rr. qtr. marker
69	Corvette	911045	2	4.15	LAMP ASSY., frt. fdr. side marker (Note 5)
70-72	Corvette	3973639	L.H.	5.05	LAMP ASSY., frt. fender side marker
70-72	Corvette	3973640	R.H.	5.05	LAMP ASSY., frt. fender side marker
73-75	Corvette	331879	L.H.	5.05	LAMP ASSY., frt. fender side marker
73-75	Corvette	331880	R.H.	5.05	LAMP ASSY., frt. fender side marker
76	Corvette	362956	R.H.		LAMP ASSY., frt. fdr. side mkr.
76	Corvette	362955	L.H.		LAMP ASSY., frt. fdr. side mkr.
70-73	Corvette	3973653	L.H.	5.05	LAMP ASSY., rear quarter side marker
70-73	Corvette	3973654	R.H.	5.05	LAMP ASSY., rear quarter side marker
74-75	Corvette	336189	L.H.	5.05	LAMP ASSY., rear quarter side marker
74-75	Corvette	336190	R.H.	5.05	LAMP ASSY., rear quarter side marker
76	Corvette	362958	R.H.		LAMP ASSY., rr. qtr. side mkr.
76	Corvette	362957	L.H.		LAMP ASSY., rr. qtr. side mkr.
<i>NOTE 5 When using in place of 911052 remove the bezel and two studs and discard.</i>					
71-73	Corvette w/T.W., Tel. W.	7805348	1	.74	LEVER, strg. col. hazard switch
74-75	Corvette w/T.W., Tel. W.	7814336	1	.74	LEVER, strg. col. hazard switch
66	Corvette	3843744	1	.18	NUT, hazard lamp switch and harness
68-75	Corvette (Spt. Cpe.)	3927360	4	.12	NUT, frt. and rr. side marker refl. (8-18), roof center supt. w/mldg.
68-74	Corvette	6298886	A.R.	1.79	SOCKET ASSY., side marker lamp (Note 4)
67-73	Corvette (exc. T.W., Tel. W.)	9433331	1	.36	SCREW (ov. hd. cr. rec. mach. 6— 32 x 7/8")— (8.909)

NOTE 4. Cut away old side marker lamp socket and splice in new socket leads. Old socket is part of fwd. and rr. wrg. harness.

2.580 CONDUCTOR, Lighting Monitor

NOTE On Corvette models conductor is part of harness assy.

70	Corvette	8901511	1	3.65	w/s/w jar fluid level fiber optic
----	----------	---------	---	------	-----------------------------------

2.583 LENS— BEZEL, Fiber Optic Conductor

68-71	Corvette	6294185	1	4.65	t/lamp
68-71	Corvette	6294296	1	4.85	signal indicator
70-71	Corvette	5960555	2	.69	
70-71	Corvette	5969740	2	.63	park lamp
68-71	Corvette	3943642	1	2.75	BEZEL, hdlp. sig. indicator

2.584 SEAL— INSERT, Lighting Monitor

68-71	Corvette	1601794	4	.18	headlamp fiber optic conductor conn.
70-71	Corvette	5960542	A.R.	.40	INSERT, tail, stop and lic. lamp fiber optic conductor
70-71	Corvette	5959734	2	.40	INSERT, park lamp fiber optic conductor

2.585 LAMP ASSY.— WIRE ASSY., Parking

58-62	Corvette	898717	1	24.95	left
58-62	Corvette	898718	1	24.95	right
63-67	Corvette	910552	2	24.95	
68-69	Corvette	916765	2	24.95	
73-74	Corvette	925143	L.H.	24.95	park and dir. signal
73-74	Corvette	925144	R.H.	24.95	park and dir. signal
75-76	Corvette	912309	L.H.	24.95	
75-76	Corvette	912310	R.H.	24.95	
70-76	Corvette	8901617	2	2.81	WIRE ASSY., parking lamp

2.586 HOUSING ASSY., Parking Lamp

70-72	Corvette	5964683	L.H.	59.95	dir. signal, park. rad. grille outer lamp
70-72	Corvette	5964684	R.H.	59.95	dir. signal, park. rad. grille outer lamp

2.587 SUPPORT, Parking Lamp Attaching

63-67	Corvette	3819648	2	7.45	park and dir. sig. lamp
-------	----------	---------	---	------	-------------------------

2.589 LENS, Parking Lamp

53-62	Corvette	5936929	2	3.20	(molded F-57)
63-67	Corvette	5954440	2	1.75	(amber)
68-69	Corvette	5960993	2	3.20	park and direction signal lamp
70-71	Corvette	5962943	L.H.	3.90	park and dir. signal outer lamp housing
70-71	Corvette	5962944	R.H.	3.20	park and dir. signal outer lamp housing
72	Corvette	5965071	L.H.	3.20	dir. signal, park. rad. grille outer lamp hsg.
72	Corvette	5965072	R.H.	3.20	dir. signal, park. rad. grille outer lamp hsg.

CHASSIS ELECTRICAL SYSTEM

2.590 GASKET, Parking Lamp Lens	
68-69 Corvette	5960417 2 .58 parking and direction signal lamp lens . . .
70-72 Corvette	5962941 L.H. 2.10 park and dir. signal outer lamp housing . . .
70-72 Corvette	5962942 R.H. 2.10 park and dir. signal outer lamp housing . . .
2.593 DOOR, Parking Lamp	
53-62 Corvette	5933022 2 4.95 (2 ¹ / ₈ " I.D. x 2 ⁵ / ₈ " O.D.)
2.594 SCREW, Parking Lamp Door or Lens	
63-66 Corvette	5951981 A.R. .10 (No 8— 32 x ⁵ / ₈ ")
67 Corvette	5953438 4 .11 (No. 8— 32 x ⁵ / ₈ " cr. recess)
70-72 Corvette	5962877 3 .15 dir. signal, park rad. grille outer lamp housing
70-73 Corvette	5962814 3 back-up, tail, stop and dir. signal lamp
2.596 SOCKET ASSY., Parking Lamp	

LAMP SOCKET REPLACEMENT

It is necessary to carefully check the parts catalogs for correct model application when replacing lamp socket assemblies. If incorrect sockets are used for replacement, the bulb filament will be in the wrong location with respect to the lens and/or reflector. As a result, the lamp may fail to meet the required lighting standards.

69-74 Corvette	8914822 A.R. 3.61 (twist lock-socket) (gray-focal length ⁷ / ₈ ") . . .
69-74 Corvette	8914823 A.R. 3.61 (twist lock-socket) (cream-focal length 1 ¹ / ₄ ")
2.660 GASKET— NUT— RETAINER, Tail Lamp	
61-67 Corvette	5952101 A.R. 1.25 tail, stop and direction signal and back-up lamp
68-73 Corvette	5959850 A.R. 1.25 tail stop and direction signal lamp, back-up lamp
75-76 Corvette	347923 8 .11 NUT, tail and stop mtg. anchor
75-76 Corvette	347922 4 1.05 RETAINER, tail and stop lamp mtg. pnl.

2.662 REINFORCEMENT, Tail and Stop Lamp Mtg.

75-76 Corvette	347921 4 .48 mtg. panel
----------------	-----------------------------------

2.679 LAMP ASSY., Tail and Stop (see group 2.689 for reflex reflector)

61-62 Corvette	899631 1 22.25 L.H. w/direction signal (inboard)
61-62 Corvette	899632 1 22.25 R.H. w/direction signal (inboard)
63-67 Corvette	910554 1 19.70 R.H., outboard w/direction signal
63-67 Corvette	910553 1 27.50 L.H., outboard w/direction signal
63-67 Corvette (exc. back-up lamp)	910558 1 19.70 R.H., inboard w/direction signal
63-67 Corvette (exc. back-up lamp)	910557 1 19.70 L.H., inboard w/direction signal
68 Corvette	916253 4 28.35 tail, stop and dir. signal
68-69 Corvette	916543 2 28.35 tail, stop and dir. outer
70-71 Corvette (1st design)	910388 2 36.95 tail, stop and dir. outer (Note 1)
74 Corvette	897168 2 32.25
75-76 Corvette	897193 2 21.50 tail and stop

NOTE 1: Center portion of lens is conical shape.

2.680 HOUSING ASSY.— PANEL, Tail and Stop Lamp

71-73 Corvette	5960549 1 12.90
74 Corvette	345417 L.H. 6.35 PANEL, tail lamp mtg.
74 Corvette	345418 R.H. 6.35 PANEL, tail lamp mtg.
75-76 Corvette	347899 L.H. 8.05 PANEL, tail lamp mtg.
75-76 Corvette	347900 R.H. 8.05 PANEL, tail lamp mtg.

2.682 LENS, Tail Lamp (Also see 2.899 for Additional Lens)

58-60 Corvette	5948772 2 14.95 outer (guide-RIC-58)
61-67 Corvette	5954803 4 2.75
68-69 Corvette	5959851 4 14.10 LENS ASSY., tail and stop, w/direction signal
70-71 Corvette (1st design)	5960550 2 19.70 LENS ASSY., tail and stop w/dir. signal (Note 1)

NOTE 1 Center portion of lens is conical shape.

71-73 Corvette (2nd design)	5963342 2 19.25 LENS ASSY., tail and stop w/dir. signal (Note 2)
-----------------------------	--

NOTE 2 Center portion of lens is spherical shape.

2.684 GASKET, Tail Lamp Lens

58-67 Corvette	5948748 A.R. .48 inner (3 ³ / ₁₆ " O.D.) stop, direction and back up lamp
68-73 Corvette	5959849 A.R. 1.21 tail stop and dir. signal, back-up lamp

CHASSIS ELECTRICAL SYSTEM

2.688		SCREW— PLUG, Tail Lamp			
61	Corvette	3769871	4	.10	w/lockwasher (No. 10— 24 x 3/4") (lamp)
68-74	Corvette	4744981	2	.11	PLUG, tail and stop lamp grommet hole, hood lk. rel. cbl.
2.689		REFLEX ASSY.— BEZEL, Tail and Stop Lamp			
58-60	Corvette	5949740	2	3.95	BEZEL, reflex marker
2.694		SOCKET— PLUG, Tail and Stop Lamp			
58-62	Corvette	6293344	1	4.18	courtesy lamp (1 3/8" O.L.)
69-74	Corvette	8914822	A.R.	3.61	(twist lock-socket) (gray-focal length 7/8")— (2.596)
69-74	Corvette	8914823	A.R.	3.61	tail, stop and park. (color-cream) (Note 1)— (2.596)
<i>NOTE 1 8903202 & 8903203 are not interchangeable-because of FNVSS requirements-8903202 has focal length of .88-8903203 has a focal length of 1.24.</i>					
54-57	Corvette	2971074	1	.81	PLUG, double contact
2.697		LAMP ASSY.— FLANGE— GASKET— GROMMET— LENS— SCREW— SOCKET ASSY., Back-Up			

LAMP SOCKET REPLACEMENT

It is necessary to carefully check the parts catalogs for correct model application when replacing lamp socket assemblies. If incorrect sockets are used for replacement, the bulb filament will be in the wrong location with respect to the lens and/or reflector. As a result, the lamp may fail to meet the required lighting standards.

63-66	Corvette	910427	1	12.25	L.H.
63-66	Corvette	910428	1	12.25	R.H.
67	Corvette	911489	1	12.25	L.H.
67	Corvette	911490	1	12.25	R.H.
68	Corvette	916283	1	12.25	
69	Corvette	916782	2	13.15	
70-73	Corvette	917512	2	25.95	
74	Corvette	897169	2	21.95	
75	Corvette	912040	2	20.70	
68	Corvette	3919651	L.H.	2.69	FLANGE, L.H.
68	Corvette	3919652	R.H.	2.69	FLANGE, R.H.
68	Corvette	5958753	2	1.84	GASKET, lamp mounting
68	Corvette	5958755	2	.95	GASKET, lens
68	Corvette	6437746	2	.40	GROMMET, back-up lamp— (4.197)
63-66	Corvette	5948757	2	1.75	LENS (clear plastic-molded 5948757)
67	Corvette	5959241	1	3.00	LENS, L.H.
67	Corvette	5959242	1	3.00	LENS, R.H.
68	Corvette	5959873	2	3.00	LENS
69	Corvette	5960972	2	14.60	LENS, backing
70-71	Corvette	5961332	2	14.60	LENS, backing
72-73	Corvette	5964434	2	14.60	LENS, backing lamp
68-69	Corvette	9420489	4	.05	SCREW, lamp— (8.913)
70-71	Corvette	9419891	3	.05	SCREW, lens
69-71	Corvette	8904437	A.R.	3.40	SOCKET ASSY., back-up lamp
73-75	Corvette	8909518	2	3.61	SOCKET ASSY., backing lamp
2.698		SWITCH— BRACKET— LEVER— ROD— SHIELD, Back-Up			
63-65	Corvette w/3-Spd.	1993663	1	18.25	lamp
63-67	Corvette w/4-Spd.	1993666	1	11.45	lamp
65-67	Corvette w/P.G.	1993411	1	20.15	w/neutral safety lamp— (4.054)
66-67	Corvette w/3-Spd.	1993340	1	17.15	lamp
68-75	Corvette w/4-Spd.	1993430	1	12.25	SWITCH ASSY., backing
68-72	Corvette w/A.T.	3948538	1	4.25	SWITCH ASSY., neutral saf. and backing— (4.054)
68-71	Corvette (exc. T.H. 400 4-Spd.)	1993429	1	17.25	SWITCH ASSY., back-up lamp
63-64	Corvette w/Muncie 4-Spd.	3833287	1	1.15	BRACKET, switch mtg.
65-73	Corvette w/Muncie 4-Spd.	3864296	1	.98	BRACKET, switch mtg.
74-75	Corvette (4-Spd.)	6258268	1	2.35	BRACKET, switch control
63-67	Corvette w/Muncie 4-Spd.	3833286	1	1.15	ROD, switch control (4 23/32" O.L.)
66-67	Corvette (3-Spd., w/back-up lamps)	3878489	1	2.60	ROD, switch
68-74	Corvette w/4-Spd.	3923915	1	2.20	ROD, switch control
68-70	Corvette (exc. 4-Spd., A.T.)	3923914	1	1.40	ROD, switch control
75	Corvette w/4-Spd.	6258267	1	1.55	ROD, switch control
65-72	Corvette w/4-Spd.	3706355	1	.20	SHIELD, switch— (4.054)
2.700		LAMP ASSY., Rear License, Complete with Bulb			
63-67	Corvette	898005	1	14.95	
68-73	Corvette	911908	1	4.00	

CHASSIS ELECTRICAL SYSTEM

		2.700	LAMP ASSY., Rear License, Complete with Bulb		(Con't)
74	Corvette	899794	2	5.60	
75	Corvette	912116	1	4.00	
		2.707	GASKET, Rear License Lamp Lens		
61-67	Corvette	5951008	1	.63	
68-73	Corvette	5958277	1	.32	
		2.708	SCREW, Rear License Lamp		
61-67	Corvette	5951011	4	.10	lens
		2.709	LENS, Rear License Lamp		
61-67	Corvette	5951010	1	2.50	
68-73	Corvette	5957401	1	2.50	
		2.714	SOCKET ASSY., Rear License Lamp		
74	Corvette	6298886	2	1.79	
75	Corvette	8918527	1	3.47	
		2.722	GASKET, Headlamp Body to Fender		
53-57	Corvette	3722121	2	.41	rubber
		2.725	HEADLAMP ASSY., Complete with Sealed Beam		
58-62	Corvette	897185	1	39.95	left (dual— universal type) (less moulding) (Note 1)
<i>NOTE 1 When using in Corvette models part number 5949549 must also be used.</i>					
64-67	Corvette				head inner,
68-70	Corvette				R.H.
71-76	Corvette	5963837	R.H.	11.75	R.H., inner
68-76	Corvette	5963840	1	11.75	R.H., outer
68-76	Corvette	5963838	L.H.	11.75	L.H., inner
64-67	Corvette				head outer,
68-70	Corvette				L.H.,
71-75	Corvette	5963839	L.H.	11.75	L.H., outer
		2.726	SUB BODY— RING— SHIELD, Headlamp		
58-62	Corvette	5948835	1	19.95	left, w/tension springs (Note 1)
58-62	Corvette	5948836	1	19.95	right, w/tension springs (Note 1)
<i>NOTE 1 When using the above parts in place of 5948893-94 it will be necessary to also use lug unit 5949549.</i>					
53-55	Corvette (1st Ser.)	924535	2	4.25	RING, body inner mtg.
58-63	Corvette	5948825	A.R.	2.15	RING, left inner (L-1 on flange)
58-63	Corvette,				
68-73	Corvette	5963890	R.H.	2.15	RING, right outer mtg.
58-73	Corvette	5963889	L.H.	2.15	RING, hdlp. seal beam mtg., outer
58-73	Corvette	5963887	R.H.	2.15	RING, hdlp. seal beam mtg., inner
68-76	Corvette	5950506	1	3.70	RING UNIT, L.H., inner
74-76	Corvette	5950500	1	3.70	RING UNIT, R.H., inner
74-76	Corvette	5950507	1	3.70	RING UNIT, L.H., outer
74-76	Corvette	5950513	1	3.70	RING UNIT, R.H., outer
58-57	Corvette	5947771	2	3.90	RING UNIT, mtg. body inner
68-72	Corvette	3966560	1	2.37	SHIELD, right
68-72	Corvette	3966559	1	2.37	SHIELD, left
		2.727	SEALED BEAM, Headlamp		
53-55	Corvette (6 volt) (T-3 Improved Lighting)	5956006	2	5.27	glass reflector
55-57	Corvette (12 volt)	5962548	2	4.90	
58-76	Corvette	5964600	2	4.35	outer (double filament)
58-76	Corvette	5965416	2	4.35	inner
		2.728	MOULDING— BEZEL, Headlamp (rim or door)		
58-60	Corvette	3742509	2	9.50	chrome
61-62	Corvette	3779239	2	9.70	
63-67	Corvette	3845802	1	12.50	right
63-67	Corvette	3845801	1	12.50	left
68-76	Corvette	331817	L.H.	12.50	BEZEL
68-76	Corvette	331818	R.H.	12.50	BEZEL
		2.729	SCREW— NUT, Headlamp Moulding		
63-71	Corvette	3834926	A.R.	.10	headlamp assy., and mldg. attach (1/4" — 20 x 3/8")
64-65	Corvette	9420771	4	.09	NUT, moulding, upper ("J" shape)— (8.921)

CHASSIS ELECTRICAL SYSTEM

2.731 RING, Sealed Beam Retaining

53-55	Corvette (6 volt)	5952000	2	3.10	(one pc. construction) (chrome— $7\frac{3}{16}$ " O.D.— three attach. ears $1\frac{1}{16}$ " wide)
56-57	Corvette	5948399	2	3.70	w/reflector
58-76	Corvette	5954892	4	2.05	

2.736 SCREW— LUG— NUT, Headlamp Lens and Sealed Beam Retaining

58-76	Corvette	5959530	A.R.	.20	(cr. rec. hd. 8— $32 \times \frac{11}{32}$ "
58-62	Corvette	5949549	1	1.65	LUG, package
53-62	Corvette	3696396	A.R.	.15	NUT (No. 10-12-J type for ground)

2.737 SCREW— BRACKET— NUT— SPRING, Headlamp Beam Adjusting

53-72	Corvette	9432523	A.R.	.15	(special grooved sltd. hd.— $\frac{1}{4}$ "— $28 \times 1\frac{21}{32}$ "— (8.907)
73-75	Corvette	9434031	A.R.	.15	($\frac{1}{4}$ "— $28 \times 1\frac{21}{32}$ "— (8.907)
64-67	Corvette,				
68	Corvette (1st design)	5948813	8	.20	BRACKET (Note 1)
	<i>NOTE 1 1st design has curved type leg.</i>				
68-75	Corvette (2nd design)	5959752	8	.20	BRACKET (Note 2)
	<i>NOTE 2 2nd design has squared type leg.</i>				
63	Corvette	5949838	A.R.	.55	BRACKET KIT, headlamp, adj. attach. nuts and screws)
53-57	Corvette	5939769	4	.15	NUT, screw ($\frac{1}{4}$ "— 28) (nylon insert)
55-63	Corvette	5948814	A.R.	.20	SPRING
64-76	Corvette	5949989	4	.31	SPRING

2.750 BREAKER, Headlamp, with Wire

63-65	Corvette	4849850	1	3.11	BREAKER, circuit— (13.095)
-------	----------	---------	---	------	----------------------------

2.755 SWITCH ASSY.— BRACKET— INSERT— RELAY, Concealed Headlamp Motor

63-67	Corvette	3821864	2	2.24	limit
63-67	Corvette	5716297	1	7.60	actuator
69-75	Corvette	3951239	2	2.02	dr. open warning
68	Corvette (1st design) (exc. C.A.C.)	3926371	1	.48	BRACKET ($3\frac{1}{2}$ " long)
69-76	Corvette	3958714	1	.43	BRACKET, acc. door manual switch mtg.
70-71	Corvette	3966703	1	1.15	BRACKET, actuator relay mtg.
68-76	Corvette	3922497	2	.10	INSERT, housing actuator rr. link
68-76	Corvette	5638427	2	11.50	RELAY, actuator
	Not required in this group. See Group 10.150				
		1115858		11.15	RELAY ASSY.

2.760 MOTOR ASSY.— ACTUATOR ASSY.— ARMATURE— BEARING— BOLT— BRACKET— BRUSH— DISC— FILTER ASSY.— GEAR— GROMMET ASSY.— HOUSING— PLUG— RETAINER— RING— SCREW— SLEEVE— SPRING— TANK ASSY.— VALVE ASSY.— WASHER— WORM, Concealed Headlamp Control Drive

63-67	Corvette	5045374	1	90.15	right w/support
63-67	Corvette	5045375	1	90.15	left w/support
68-76	Corvette	5638541	L.H.	25.70	ACTUATOR ASSY., L.H.
68-76	Corvette	5638542	R.H.	25.70	ACTUATOR ASSY., R.H.
63-67	Corvette	4912258	2	10.70	ARMATURE, actuator
63-67	Corvette	4908628	4	.10	BOLT, actuator tie
63-67	Corvette	4904212	4	.05	BRACKET, motor brush plate mtg.— (10.783)
72	Corvette	3840474	2	1.21	BRACKET ASSY., headlamp and wsw. vac. pipe— (8.857)
63-67	Corvette	4918915	4	.48	BRUSH, actuator
63-67	Corvette	4912266	2	.28	DISC, actuator hand wheel (aluminum)
68-76	Corvette	5638432	1	1.12	FILTER ASSY., air (check valve type)
63-67	Corvette	4912262	2	3.27	GEAR, actuator drive
63-66	Corvette	4910180	2	.23	GROMMET ASSY., opening motor retainer spacer— (10.152)
63-67	Corvette	4912587	1	13.50	HOUSING, actuator, w/bracket, left
63-67	Corvette	4912586	1	13.05	HOUSING, actuator, w/bracket, right
63-66	Corvette	4232319	4	.22	PLUG, headlamp actuator thrust (nylon)— (10.661)
63-67	Corvette	3794287	2	.26	RETAINER, opening motor
63-67	Corvette	4912429	2	.05	RING, actuator disc, retaining
63-66	Corvette	4906744	2	.11	SCREW, actuator armature end play set— (10.150)
68-71	Corvette	3922498	2	.25	SLEEVE, housing actuator rr. link
63-66	Corvette	4913805	4	.18	SPRING, motor brush— (10.150)
68-76	Corvette	3935516	2	.26	SPRING, housing
68-72	Corvette	3966704	1	15.50	TANK ASSY., vacuum resv.

CHASSIS ELECTRICAL SYSTEM

2.760 MOTOR ASSY.— ACTUATOR ASSY.— ARMATURE— BEARING— BOLT— BRACKET— BRUSH— DISC— FILTER ASSY.— GEAR— GROMMET ASSY.— HOUSING— PLUG— RETAINER— RING— SCREW— SLEEVE— SPRING— TANK ASSY.— VALVE ASSY.— WASHER— WORM, Concealed Headlamp Control Drive (Con't)

68-76	Corvette	5638317	1	3.63	VALVE ASSY., actuator
68-76	Corvette	3926296	1	1.58	VALVE ASSY., resv. chk.
75-76	Corvette	3935573	1		VALVE, vac. check
63-67	Corvette	4238082	2	.10	WASHER, actuator Belleville
63-67	Corvette	4308259	2	.20	WASHER, actuator thrust plug
63-67	Corvette	4913817	2	12.65	WORM, shaft and gear

2.765 SUPPORT— BEARING— BRACKET— BUSHING— CONNECTOR— GROMMET— HOSE— INSERT— LINK— PIN— PIVOT— ROD— SCREW— SLEEVE— SPACER— SPRING— STOP— STUD— SUPPORT UNIT— TERMINAL— WASHER, Concealed Headlamp Control Opening Cover

63-67	Corvette	3825355	1	6.00	pivot, inner, left
63-67	Corvette	3825356	1	6.00	pivot, inner, right
63-67	Corvette	3825357	2	3.40	pivot outer
63-67	Corvette	3825940	4	2.40	BEARING, pivot support
68-75	Corvette	3915687	1	3.60	BEARING, opg. housing
68-74	Corvette	3915679	4	4.55	BEARING ASSY., opg. housing
75-76	Corvette	362995	4		BEARING, opening hsg.
68-76	Corvette	3922499	1	.81	BRACKET, housing actuator
64-67	Corvette	332536	2		BUSHING, support (5/8")— (4.626)
68-76	Corvette	3927674	2	.19	BUSHING, housing actuator link (1 3/4" O.L. 3/8" dia.)
68-76	Corvette	3915898	2	.19	BUSHING, housing actuator link (1/4" O.L.)
69-76	Corvette	3947949	2	1.00	CONNECTOR, vacuum hose (2-hose)
73	Corvette	1230352	1	.45	CONNECTOR, vacuum hose (1/8"— 27 x 1 1/32" O.L.) (threaded)
73	Corvette	3750685	2	.25	CONNECTOR, vac. hose (1/8"— 27 x 1 1/4" O.L.) (not threaded)
68-76	Corvette	3934269	1	.54	GROMMET, hdlp. and wsw. vac. hose
70-72	Corvette	3956299	1	.73	GROMMET, headlamp and w/s/w vac. hose
69-76	Corvette	3945335	1	1.55	HOSE (9/32" I.D.)
70-75	Corvette	3922497	4	.10	INSERT, hdlp. hsg. actuator rr. link
68-76	Corvette	3953041	2	11.15	LINK, housing rr.
68-76	Corvette	3953034	2	1.15	LINK, housing frt.
68-76	Corvette	3926433	2	1.15	PIN, housing actuator link clevis pivot
68-76	Corvette	3927672	2	.19	PIN, housing actuator rr. link (2 1/2" O.L.)
68-76	Corvette	3927676	2	.25	PIN, housing actuator link clevis
64-67	Corvette	3845789	1	6.95	PIVOT, housing outer, L.H.
64-67	Corvette	3845790	1	6.95	PIVOT, housing outer, R.H.
64-67	Corvette	3845791	1	10.00	PIVOT, housing inner, L.H.
64-67	Corvette	3845792	1	10.00	PIVOT, housing inner, R.H.
68-76	Corvette	3958887	2	3.20	ROD, actuator
68-76	Corvette	3926351	1	2.45	ROD ASSY., actuator supt. inboard L.H.
68-76	Corvette	3926352	1	2.45	ROD ASSY., actuator supt. inboard R.H.
68-76	Corvette	3926353	1	2.40	ROD ASSY., actuator supt. outboard L.H.
68-76	Corvette	3926354	1	2.40	ROD ASSY., actuator supt. outboard R.H.
68-76	Corvette	3918509	2	.94	SCREW, housing rr. link
68-76	Corvette	3915899	2	.60	SCREW, housing actuator link
70-76	Corvette	3922498	2	.25	SLEEVE, hdlp. actuator rr. link
70-75	Corvette	3988660	4	.38	SPACER, headlamp opening actuator support— (3.708)
68-76	Corvette	3926434	2	.33	SPRING, housing actuator link
68-76	Corvette	3926235	4	.33	STOP, housing brg.
63-67	Corvette	3825944	2	1.00	STUD, motor support
68-74	Corvette	6258533	L.H.	38.25	SUPPORT UNIT, opg. actuator L.H.
68-74	Corvette	6258534	R.H.	38.25	SUPPORT UNIT, headlamp actuator (right)
75-76	Corvette	347889	L.H.	31.50	SUPPORT UNIT, hdlp. opg. actu.
75-76	Corvette	347890	R.H.	31.50	SUPPORT UNIT, hdlp. opg. actu.
69-76	Corvette	3934265	4	1.40	TERMINAL, vac. hose to conn.
63-67	Corvette	6257691	4	.28	WASHER, pivot bearing seal retainer (2 1/4" O.D. 1 7/16" I.D. x 1/32" thk.)— (5.543)

2.770 END ASSY.— HOUSING— INSULATOR— PLUG— SCREW— SPACER, Concealed Headlamp Opening Cover

63-67	Corvette	3824829	1	10.65	outer, left
63-67	Corvette	3824830	1	10.65	outer, right
63-67	Corvette	3824833	1	10.65	inner, left
63-67	Corvette	3824834	1	10.65	inner, right
63	Corvette	3869033	1	46.50	HOUSING, left (complete)
63	Corvette	3869034	1	46.50	HOUSING, right (complete)
64-67	Corvette	3845787	1	25.25	HOUSING, left

CHASSIS ELECTRICAL SYSTEM

**2.770 END ASSY.— HOUSING— INSULATOR— PLUG— SCREW— SPACER,
Concealed Headlamp Opening Cover (Con't)**

64-67	Corvette	3845788	1	25.25	HOUSING, right
68	Corvette (2nd design),				
69-76	Corvette	3938115	L.H.	30.25	HOUSING ASSY., L.H.
68	Corvette (2nd design),				
69-76	Corvette	3938116	R.H.	30.25	HOUSING ASSY., R.H.
68	Corvette (1st design)	3932935	L.H.	29.75	HOUSING ASSY., left
68	Corvette (1st design)	3932936	R.H.	29.75	HOUSING ASSY., right
64-67	Corvette	3845799	4	.13	INSULATOR, housing
63-69	Corvette	4744981	4	.11	PLUG (15/16" plastic)
72	Corvette	133063	2		SCREW, housing (1/4"— 20 x 2)— (8.906)
63-67	Corvette	3825346	2	.72	SPACER, lamp housing

2.775 RETAINER— SCREW— SEAL— STOP, Headlamp Control

63-67	Corvette	3826150	4	.20	pivot bearing seal
63-67	Corvette	3827432	4	.23	SCREW, opening cover panel adjusting (1/2"— 28 x 7/8" nylon insert locking type)
63-67	Corvette	3826148	4	.05	SEAL, opening cover pivot bearing (felt— 3/4" x 1 1/2" x 3/8" thk.)
63-67	Corvette	3826291	2	5.20	STOP, opening cover
68-69	Corvette	3958749	2	1.60	STOP, opening cover
70-76	Corvette	3972301	L.H.	2.95	STOP, opening cover
70-76	Corvette	3972302	R.H.	2.95	STOP, opening cover

2.780 NOZZLE ASSY.— CONNECTOR— COIL ASSY.— VALVE, Headlamp Washer

69-71	Corvette	3957029	4	2.24	washer spray
70-71	Corvette	4919539	1	.11	CONNECTOR, washer hose— (10.155)
69-71	Corvette	4919674	1	8.85	COIL ASSY., headlamp washer solenoid— (10.153)
69	Corvette	4919503	1	1.42	VALVE, washer check
70-71	Corvette	4919991	1	1.42	VALVE, washer check
69-71	Corvette	4919676	1	5.90	VALVE, washer, solenoid

2.810 HORN ASSY.— HORN UNIT— SWITCH UNIT— SHIM, Horn

68-75	Corvette w/Horn Alarm System	1999939	1	14.95	vibration (hi note)
74-75	Corvette	9000062	1	18.65	aux. (low decibel) (New York City)
55-75	Corvette	9000239	1	11.70	HORN UNIT, vibration (high note) (stamped 9000239)
55-70	Corvette	9000011	1	11.70	HORN UNIT, vibrator high note
73-76	Corvette	9000236	1	12.70	HORN UNIT, vibrator low note
74-75	Corvette	345229	1	54.90	SWITCH UNIT, w/wire (L.B.) (New York City)
67-74	Corvette (Tel. W. w/T.W.)	3910765	1	.10	SHIM

NOTE On some models it will be necessary to use the mounting bracket from the replaced horn and enlarge the hose to 1 1/32" dia., also to rework trumpet by cutting 1/2" inch off end.

2.815 RELAY, Matched Horn

55-62	Corvette (12 volt)	1116781	1	4.75	
63-66	Corvette	1115824	1	4.10	
68-76	Corvette w/anti-theft	1115878	1	4.14	
66-71	Corvette	1115889	1	6.25	w/buzzer
72-73	Corvette	6273328	1	4.31	(horn)
74-76	Corvette	344813	1	3.85	(horn)

**2.819 CONTACT— BRUSH ASSY.— CARRIER ASSY.— CONNECTOR—
INSULATOR— LINER— RETAINER— RING— SCREW— SPRING, Horn
Button and Blowing Ring**

56-62	Corvette	761403	1	9.20	
64-66	Corvette (exc. Tel. W.)	5955202	1	.45	
65-67	Corvette w/Tel. W.	3863904	1	2.51	
67	Corvette (exc. Tel. W.)	3901330	1	3.04	
68	Corvette w/Tel. W.	3903568	1	2.33	
68	Corvette (exc. Tel. W.)	3913851	1	3.11	
69-75	Corvette (exc. T.W., Tel. W.)	3937897	1	3.28	
69-75	Corvette w/T.W., Tel. W.	3949103	1	3.34	upper
69-75	Corvette w/T.W., Tel. W.	3949105	1	5.45	lower
63-66	Corvette (exc. Tel. W.)	769609	1	2.63	CONTACT ASSY.
67-75	Corvette	3916047	1	1.08	CONTACT UNIT, w/eyelet and spring
63-66	Corvette (exc. Tel. W.)	770387	1	.90	BRUSH ASSY., contact
69	Corvette w/T.W., Tel. W.	7805529	1	4.00	CARRIER ASSY., contact
70-75	Corvette w/T.W., Tel. W.	7811996	1	3.88	CARRIER ASSY., strg. col. horn contact
53-62	Corvette	759037	1	.95	CONNECTOR (brush 17/32" O.L.)
53-61	Corvette	759230	1	.05	INSULATOR, connector (plastic— 1 1/16" O.L.)
62	Corvette	768233	1	.78	INSULATOR, horn blowing contact

CHASSIS ELECTRICAL SYSTEM

**2.819 CONTACT— BRUSH ASSY.— CARRIER ASSY.— CONNECTOR—
INSULATOR— LINER— RETAINER— RING— SCREW— SPRING, Horn
Button and Blowing Ring (Con't)**

68-70	Corvette,				
72	Corvette,				
73-75	Corvette w/T.W., Tel. W.	382117	1	.11	INSULATOR, contact
71	Corvette,				
73-76	Corvette (exc. T.W., Tel. W.)	409190	1	.11	INSULATOR, contact
65-66	Corvette w/Tl. W.	3874633	1	.15	LINER, button cap
70-75	Corvette w/T.W., Tel. W.	7808385	1	1.01	RETAINER, snap ring horn contact carrier .
69-75	Corvette w/T.W., Tel. W.	5697735	1	.72	RING, carrier locking
65-67	Corvette w/Tel. W.	3863910	1	.11	SCREW, contact assy. to hub
67-68	Corvette w/Tel. W.	3910764	3	.10	SCREW (8— 32 x 1 1/4") horn contact
69-75	Corvette w/T.W., Tel. W.	3949107	3	.10	SCREW, contact upper
72-76	Corvette	404234	1	.11	SPRING, horn contact

2.820 CAP ASSY.— BUTTON— SCREW, Horn Blowing

56-62	Corvette	760805	1	7.25	chrome
63-64	Corvette	3899365	1	7.70	
65-66	Corvette (exc. Tel. W.),				
67	Corvette	3899365	1	7.70	
68	Corvette,				
69-75	Corvette (exc. T.W., Tel. W.)	3957946	1	6.10	black
69-75	Corvette w/T.W., Tel. W.	3957952	1	6.10	black

2.892 FLASHER— CLIP, Direction Signal Lamp

53-55	Corvette (6 volt)	5947767	1	1.78	
55-60	Corvette	3713382	1	1.79	(2 bulb) (ZN232)
61-63	Corvette (exc. back-up lamp) ...	9771091	1	1.74	controls 3 bulbs only (AP373V) (Signal Stat. 143)
64-65	Corvette (exc. back-up lamp),				
67-69	Corvette	383637	1	1.79	(3 bulb) (Stat. Co. No. 145, Tung. Sol. No. 323)
64-66	Corvette w/back-up lamp,				
69-75	Corvette	491392	1	2.02	(2 bulb)
65-68	Corvette (1st design),				
68	Corvette w/horn alarm system ..	3986825	1	.11	CLIP, dir. sig. lamp flasher
68-75	Corvette (2nd design)	3943610	1	.10	CLIP, dir. sig. lamp and anti-theft flasher (Note 1)

NOTE 1 3943610 (2nd design) has larger mtg. hole than 3866440 (1st design).

**2.895 SWITCH ASSY.— BEARING ASSY.— BUMPER— CABLE ASSY.—
CONTACT UNIT— CONTROL ASSY.— LEVER— PAWL— PLATE— RING—
SCREW— WEDGE, Directional Signal Lamp (See Group 9.748 tell tale
windows)**

55-62	Corvette (12 volt)	5946173	1	11.25	w/wiring
63	Corvette	3824116	1	2.25	
64-66	Corvette (exc. T.W., Tel. W.)	910821	1	12.95	
67-68	Corvette	5698520	1	18.95	dir. sig. and traffic hazard (Boyne)
69-75	Corvette w/T.W., Tel. W.	1997950	1	19.65	dir. sig. and traffic hazard
69-75	Corvette (exc. T.W., Tel. W.)	1997969	1	15.20	dir. sig. and traffic hazard
64-66	Corvette	5955201	1	.85	BEARING ASSY., control switch— (6.521) .
65-66	Corvette	5954457	2	.10	BUMPER, control
63-64	Corvette	3777469	1	.70	CABLE ASSY., control switch
64-66	Corvette	5957066	1	.60	CONTACT UNIT, control switch contact ...
71-73	Corvette w/T.W., Tel. W.	7805348	1	.74	LEVER, strg. col. hazard switch— (2.575) ..
74-75	Corvette w/Tel. W.	7814336	1	.74	LEVER, hazard switch— (2.575)
63	Corvette	5951729	2	.15	PAWL, switch
64	Corvette (exc. Tel. W.)	5955189	1	1.30	PLATE, control switch
65-67	Corvette (exc. T.W., Tel. W.)	5957015	1	1.30	PLATE, control switch
65	Corvette w/Tel. W.	5957063	1	1.30	PLATE, actuating
63	Corvette	5954532	1	2.30	RING, control
65-66	Corvette	5956608	1	.15	RING, control ("O")
53-62	Corvette	897064	1	7.65	RING UNIT
53-62	Corvette	5944866	1	.10	SCREW, switch ring (12— 24 thd., 3/4" lg. shldr.)
64-67	Corvette (exc. T.W., Tel. W.)	3841575	1	.11	SCREW, control (10— 32 x 1/2")
67-68	Corvette	5699163	3	.29	SCREW
69	Corvette (exc. T.W., Tel. W.),				
70-75	Corvette	7809128	3	.31	SCREW, sig. switch mtg.

**2.896 CAM— CAM CONVERSION UNIT— CARRIER ASSY.— SPRING, Direction
Signal Lamp (Cancelling)**

63	Corvette	3826333	1	.35	plastic
64-66	Corvette (exc. Tel. W.)	3864365	1	.47	
65-66	Corvette w/Tel. W.	3863911	1	.88	

CHASSIS ELECTRICAL SYSTEM

2.896 CAM— CAM CONVERSION UNIT— CARRIER ASSY.— SPRING, Direction Signal Lamp (Cancelling) (Con't)

67-68	Corvette (exc. Tel. W.)	399292	1	.60	
67-68	Corvette w/Tel. W.	3901618	1	.96	
69-75	Corvette (exc. T.W., Tel. W.)	7812210	1	2.10	CAM CONVERSION UNIT, strg. col. turn signal cancelling
69	Corvette w/T.W., Tel. W.	7805529	1	4.00	CARRIER ASSY., w/cam, strg. col. horn contact— (2.819)
70-75	Corvette w/T.W., Tel. W.	7811996	1	3.88	CARRIER ASSY., w/cam, strg. col. horn contact— (2.819)
69-70	Corvette,				
75	Corvette	1964785	L.H.	.15	SPRING, cancelling
69-70	Corvette,				
75	Corvette	1964784	R.H.	.15	SPRING, cancelling
75	Corvette	1967685	1	.11	SPRING, lane change

2.897 LEVER— KNOB, Direction Signal Lamp

53-62	Corvette	3783302	1	.90	control
64-66	Corvette (exc. T.W.),				
67	Corvette	3854303	1	.52	control
67-68	Corvette (exc. Cruise Control)	3909580	1	.68	control
69-71	Corvette w/Tel. W., T.W.	3951240	1	.97	control
69-71	Corvette (exc. T.W., Tel. W.)	3961517	1	.63	control
63	Corvette	3783459	1	1.60	LEVER ASSY., control (w/knob)
73-75	Corvette (exc. T.W., Tel. W.)	3990858	1	1.35	LEVER ASSY., w/knob
72-75	Corvette w/T.W., Tel. W.	3996243	1	1.75	LEVER ASSY., w/knob
53-63	Corvette	3782965	1	.43	KNOB, control lever
64-67	Corvette,				
70-71	Corvette	3973060	1	.22	KNOB, control lever, T.W. release lever (black)
67-70	Corvette	3898283	1	.43	KNOB (black)

2.906 HOUSING— COVER— CUP— SCREW— SHIELD— SUPPORT ASSY., Direction Control Switch

67-68	Corvette (exc. T.W.)	7800465	1	3.46	
68	Corvette w/Tel. W.	7801052	1	4.00	
69-75	Corvette	7811172	1	17.30	HOUSING ASSY., turn signal
67-68	Corvette	3909549	1	.10	COVER, direction signal switch
67-68	Corvette	3909550	1	.10	COVER, direction signal control switch
68	Corvette (exc. Tel. W.)	7803301	1	1.74	COVER, sig. switch and horn wire
69-75	Corvette (exc. Tel. W., T.W.)	7806670	1	1.13	COVER, signal switch and horn wire
69-75	Corvette w/T.W., Tel. W.	7806901	1	1.74	COVER, sig. switch and horn wire
71-72	Corvette w/T.W., Tel. W.	7804558	1	1.25	COVER, strg. col. signal switch and horn wire protector
69-75	Corvette w/T.W., Tel. W.	7805987	1	23.75	COVER ASSY., w/lock
71-75	Corvette	7804413	1	.41	CUP, strg. col. turn signal switch housing thrust
69-75	Corvette (exc. Tel. W., T.W.)	7806867	4	.12	SCREW, signal switch hsg.
69-75	Corvette w/Tel. W., T.W.	7806057	1	2.51	SHIELD, signal lever opening
70-71	Corvette w/Tel., T.W.	7807635	1	15.85	SUPPORT ASSY., turn signal housing— (6.514)
69	Corvette w/Tel. W., T.W.	7807635	1	15.85	SUPPORT ASSY., turn sig. hsg.— (6.514)

2.910 SPRING, Direction Signal Lamp (Detent)

63	Corvette	5952433	1	.30	SPRING (1/4" wide x 2 ⁹ / ₁₆ " long)
63	Corvette	5950747	1	.15	SPRING, tension
69-70	Corvette	1967684	1	.10	SPRING

GROUP 3.000
FUEL EXHAUST —
CARBURETION



FUEL—EXHAUST—CARBURETION

3.001 TANK—BLADDER ASSY., Fuel

63-67	Corvette,				
68-69	Corvette w/3/2BC,				
68-69	Corvette w/H.D. (427),				
69	Corvette w/Sp. H/Per. (350),				
70	Corvette w/Sp. H/Per. (350,				
	454) (exc. E.E.C.)	3967746	1	45.00	(20 gal.) (Note 1)
68-69	Corvette w/4BC (327, 350, 427)				
	(exc. H.D., Sp. H/Per.),				
70	Corvette (350, 454) (exc. E.E.C.,				
	H.D., Sp. H/Per.)	3967741	1	45.00	(20 gal.) (Note 1)
70-72	Corvette w/E.E.C. (350, 454)				
	(exc. Sp. H/Per., H.D.),				
73-74	Corvette	3967749	1	47.50	(18 gal.)
70-72	Corvette (Sp. H/Per. w/E.E.C.)				
	(350, 454)	3967755	1	47.50	(18 gal.)
75-76	Corvette	348366	1	28.50	
75-76	Corvette	348378	1	211.00	BLADDER ASSY., fuel tank

NOTE 1 Use with gas cap 3974743.

3.003 NECK ASSY.— HOSE— NIPPLE— RESTRICTOR— VALVE ASSY., Fuel Tank Filler

57-62	Corvette (exc. 24 gal. tank)	3780528	1	4.77	upper
63-67	Corvette (Spt. Cpe.) (exc. 36 gal. tank)	3826413	1	4.37	
63-67	Corvette (Conv.),				
68-70	Corvette (exc. E.E.C.)	3923690	1	3.14	
70-71	Corvette w/E.E.C.,				
72-75	Corvette	6262261	1	3.68	
63-67	Corvette w/36 gal. tank	3829421	1	3.22	HOSE, filler neck
63-74	Corvette (exc. 36 gal. tank)	3849611	1	1.23	HOSE, filler neck drain (7/16")
65-67	Corvette (exc. 36 1/2 gal. tank),				
68-76	Corvette	3849610	1	.10	NIPPLE, filler neck drain hose
75-76	Corvette	3991301	1	.17	RESTRICTOR, fuel vent pipe hose
70-74	Corvette	3974741	1	2.18	VALVE ASSY., fuel tank press

3.008 SEAL— GASKET, Fuel Tank Filler Neck

63-67	Corvette (exc. 36 gal. tank)	3849612	1	3.65	
68-74	Corvette	3923649	1	2.97	
75	Corvette	351589	1	2.95	
63-67	Corvette w/36 gal. tank	3794263	1	.50	GASKET, filler neck
63-74	Corvette (exc. 36 gal. tank)	3826417	1	.11	GASKET, filler neck
75	Corvette	356963	1		GASKET, fuel tank fill. neck & mtr. mt. plate

3.015 SUPPORT— COVER— SHIELD, Fuel Tank

68-73	Corvette	3937806	1	8.20	
74	Corvette	339737	1	8.20	
75-76	Corvette	348034	1	5.45	
75-76	Corvette	351588	1	40.00	COVER, fuel tank
71-73	Corvette	3994333	1	3.25	SHIELD, fuel tank
74-75	Corvette	339717	1	3.25	SHIELD, fuel tank

3.022 STRAP, Fuel Tank

63-67	Corvette w/36 gal. tank	3828315	2	1.20	(44 ⁵⁹ / ₆₄ " dev. length) (Note 1)
	<i>NOTE 1 Necessary to trim 9 3/4" from hook end and rework.</i>				
68-74	Corvette	3994332	2	2.65	
75-76	Corvette	348039	2	2.65	

3.023 BOLT— GUIDE— REINFORCEMENT, Fuel Tank Strap

68-76	Corvette	3921688	2	.19	(3/8"— 16 x 1 3/4" 280M steel)
63-67	Corvette (exc. 36 gal. tank)	3819932	2	.36	GUIDE
63-67	Corvette w/36 gal. tank	3829879	1	7.80	REINFORCEMENT, strap underbody

3.028 CAP— SCREW, Fuel Tank Filler, with Gasket

53-62	Corvette (exc. 24 gal. tank)	3814436	1	1.65	vented
62	Corvette w/24 gal. tank	3914958	1	1.90	CAP ASSY. (vented)
63-69	Corvette	3952708	1	3.30	CAP ASSY. (vented)
70-74	Corvette	3994339	1	3.35	CAP ASSY. (non-vented)
75-76	Corvette	7470051	1	2.55	CAP ASSY. (not vented)
71-74	Corvette	3994340	1	3.40	CAP, locking
75-76	Corvette	356964 A.R.		.06	SCREW (1/4"— 28 x 5/8")

3.107 GAUGE— CAM— CLIP— METER ASSY.— SENDER UNIT, Fuel Tank

56-62	Corvette (exc. 24 gal. tank)	5642125	1	17.64	
63-67	Corvette w/36 gal. tank	5642798	1	20.73	tank unit
63-75	Corvette (exc. 36 gal. tank)	3774937	1	.22	CAM (2 ⁵ / ₈ " dia.)

FUEL—EXHAUST—CARBURETION

3.107 GAUGE— CAM— CLIP— METER ASSY.— SENDER UNIT, Fuel Tank (Con't)

70-72	Corvette	3927327	1	.15	CLIP, mtr. wiring— (2.559)
63-67	Corvette (exc. 36 gal. tank),				
65-67	Corvette (exc. 37½ gal. tank)	6428065	1	21.91	METER ASSY., w/gasket
68-74	Corvette	6428164	1	18.03	METER ASSY., w/gasket
75	Corvette	25000078	1	75.95	SENDER UNIT, w/meter

3.108 GAUGE, Fuel (Instrument Panel)

64	Corvette	5644966	1	28.38	
65-67	Corvette	6430263	1	11.58	
68-74	Corvette	6431617	1	10.96	
75	Corvette	6432035	1	11.07	

3.110 STRAINER, Fuel Tank Gauge

60-64	Corvette	3751491	1	.96	tank pipe (2¾" lg.) (¾" I.D.) (Note 1)
-------	----------	---------	---	-----	--

NOTE 1 Strainer to fit to O.D. of meter hose.

3.112 GASKET— SCREW ASSY., Fuel Tank Gauge

53-62	Corvette,				
63-67	Corvette w/36 gal. tank	1516395	1	.33	rubber
63-74	Corvette (exc. 36 gal. tank)	3825206	1	.27	
75	Corvette	3893116	1	.29	fuel meter
60-74	Corvette	3767804	5	.10	SCREW ASSY., w/washer (10— 32 x ½")

3.120 SEPARATOR ASSY., Fuel Tank Evaporative Control

70-74	Corvette	7028035	1	10.35	fuel vapor
-------	----------	---------	---	-------	------------

3.130 CANISTER ASSY.— CAP— FILTER— HOSE— SCREW— SPRING— SUPPORT ASSY.— PURGE VALVE— RESTRICTOR, Fuel Tank Evaporative Control

70	Corvette (exc. Sp. H/Per. 350, H.D., 454)	7036966	1		fuel vapor
70	Corvette w/Sp. H/Per. (350)	7036969	1	35.15	fuel vapor
71-72	Corvette	7030541	1		fuel vapor
73	Corvette	7030605	1	27.90	fuel vapor
74-76	Corvette	7028131	1	23.25	fuel vapor
70-76	Corvette	7028046	1	2.65	CAP, fuel vapor cannister drain
70-74	Corvette	7026014	1	1.10	FILTER, fuel vent and vapor cannister air inlet
72-74	Corvette	7021739	1	3.50	FILTER ASSY., w/drain cap, fuel vapor cannister
72	Corvette	3833103	1	.88	HOSE, fuel vapor cannister drain— (1.762)
72	Corvette	3960314	1	.11	SCREW, fuel vapor canister bracket— (1.276)
70	Corvette	7023987	1	.71	SPRING, purge valve
70-76	Corvette	3973069	1	3.34	SUPPORT ASSY., fuel vent cannister
70	Corvette	7041344	1	2.50	PURGE VALVE, repair unit fuel vapor
71-75	Corvette	3992372	1	.10	RESTRICTOR, fuel vent. pipe hose

3.140 VALVE, Early Fuel Evaporation Vacuum Control

75	Corvette	362668	1		SWITCH, exh. heat valve actuator vac. control
75-76	Corvette	3031386	1	9.35	SWITCH, exh. heat valve actuator vac. control

3.145 ACTUATOR ASSY.— SPACER, Manifold Vacuum

75-76	Corvette	1996532	1	11.00	w/rod
75-76	Corvette	357057	1	2.25	SPACER, #4 R.H. hole
75-76	Corvette	357056	1	2.35	SPACER, mfld. to vac. actuator brkt. bolt No. 5 R.H. hole

3.162 CLIP— BRACKET, Fuel Feed Pipe

68-69	Corvette (exc. 3/2BC, H.D. 427),				
70-74	Corvette	3923695	A.R.	.10	fuel feed and return pipe, fuel vapor pipe
71	Corvette (350)	3991412	1	.11	spark cont. pipe at No. 3 RH inl. manif. hole
74	Corvette w/A.T. (454)	3931078	2	.10	spark cont. pipe
74-75	Corvette	340817	A.R.	.10	rear brk. frt. pipe & fuel vapor pipe
75-76	Corvette	340815	5	.31	frt. brk. c/over pipe (¾" x 11/32")
75-76	Corvette	343450	2	.10	type #2 (blue)
69-72	Corvette w/Sp. H/Per. (350)	3959444	1	1.12	BRACKET, carb. fuel pipe

3.163 PIPE ASSY.— CONNECTOR— ELBOW— HOSE ASSY.— TEE, Flexible— Fuel or Oil Lines

63	Corvette w/Sp. H/Per., F.I.	3834123	1	3.40	fuel pump to fuel filter (chrome)
64-65	Corvette w/Sp. H/Per., F.I.,				

FUEL—EXHAUST—CARBURETION

3.163 PIPE ASSY.— CONNECTOR— ELBOW— HOSE ASSY.— TEE, Flexible— Fuel or Oil Lines (Con't)

66	Corvette w/Sp. H/Per. (327) . . .	3854796	1	3.15	fuel pump to fuel filter (chrome)
66	Corvette (327) (exc. Sp. H/Per.) . .	3882838	1		carb. gas (chrome)
66-68	Corvette w/Sp. H/Per. (327) . . .	3882837	1	3.25	carb. gas (chrome)
67	Corvette w/3/2BC (427)	3899690	2	.88	tee to carb. gas
64-65	Corvette	582093	1	.54	CONNECTOR, carb. gas hose at fuel filter, gas feed pipe
64-65	Corvette w/Sp. H/Per., F.I.,				
66	Corvette w/Sp. H/Per. (327) . . .	3855147	1	2.65	CONNECTOR, gas feed front hose
66-69	Corvette	538570	1	.98	ELBOW, gas feed (1/4"— 18 thds. 3/8" I.D.) . .
70-73	Corvette (454)	3954219	1	1.18	ELBOW, oil press— (1.803)
56-57	Corvette,				
58-62	Corvette (exc. F.I.)	3735951	1	3.85	HOSE ASSY., fuel pump end (3/8")
65-68	Corvette (427),				
69-70	Corvette w/Sp. H/Per. (350) . . .				TEE, fuel filter pipe to carb. gas pipe,
69	Corvette w/H.D. (427),				
72-73	Corvette w/Sp. H/Per. (350) . . .	545294	1	3.85	carb. fuel pipe

3.265 MANIFOLD— ADAPTER— COVER— GUARD— PLUG— SHIELD, Engine Intake (exhaust manifold in group 3.601)

57-64	Corvette w/4BC (283),				
62-64	Corvette (exc. H/Per., Sp. H/Per., F.I.)	3852568	1	51.25	
62-65	Corvette w/H/Per. (327)	3852569	1	58.00	
62-65	Corvette w/Sp. H/Per.	3852570	1	133.00	(Note 1)
64-65	Corvette w/F.I.	7017391	1	107.00	w/7017380
65	Corvette (exc. H/Per., Sp. H/Per., F.I.)	3870394	1	51.25	
66-67	Corvette w/H/Per. (427)				w/Holley carb.,
66-67	Corvette w/A.I.R. (427) (exc. 3/2BC)	3876818	1	72.00	
66	Corvette w/Sp. H/Per. (427) . . .	3947084	1	155.00	(Holley) (Note 1)
66-67	Corvette w/Sp. H/Per. (327) . . .	3893594	1	137.00	
66-67	Corvette (327) (exc. Sp. H/Per.) . .	3888886	1	54.00	(Holley or Carter)
67	Corvette (3/2BC w/Sp. H/Per.) . .	3904574	1	149.00	(Note 3)
67-69	Corvette w/H.D., AL. Cyl. and Case (427)	3947083	1	173.00	(Note 1, 3)
68	Corvette (327)	3931575	1	50.25	(Rochester) (Note 2)
68-69	Corvette (427) (exc. 3/2BC, H.D., AL. Cyl. and Case)	3957994	1	153.00	
68-69	Corvette (3/2BC w/Sp. H/Per.) (427)	3928514	1	162.00	
68-69	Corvette w/3/2BC (427) (exc. Sp. H/Per.)	3928515	1	162.00	
69	Corvette w/4BC (350) (exc. Sp. H/Per.),				
70	Corvette (350) (exc. Sp. H/Per.) . .	3987361	1	49.50	
69	Corvette w/Sp. H/Per. (350) . . .	3958627	1		
70	Corvette w/Sp. H/Per. (350) . . .	3972114	1	133.00	
70-71	Corvette (454) (exc. H.D.)	3977608	1		
71-72	Corvette (350) (exc. Sp. H/Per.) . .	340233	1	50.75	
71-72	Corvette w/Sp. H/Per. (350) . . .	3991004	1	126.00	
71	Corvette w/Sp. H/Per. (454) . . .	3977609	1	166.00	
72	Corvette (454)	6262901	1	77.00	
73	Corvette (350)	3997770	1		
73*	Corvette (454)	353068	1	77.00	
74	Corvette (454)	336788	1	77.00	
74	Corvette (350)	340260	1	50.75	
75	Corvette (350)	343756	1	63.00	
63-65	Corvette w/F.I.	3826810	1		ADAPTER, F.I. manifold to engine
63-65	Corvette w/F.I.	7017313	1	16.50	COVER
55-57	Corvette (8 cyl.) (exc. dual 4BC),				
58-66	Corvette (283, 327) (exc. F.I., dual 4BC, H/Per.),				
67	Corvette w/Sp. H/Per. (327),				
69-72	Corvette w/Sp. H/Per. (350) . . .	3758369	1	1.08	GUARD, manifold oil splash
62-65	Corvette w/H/Per. (327),				
66-68	Corvette (327) (exc. Sp. H/Per.) . .	3946830	1	1.35	GUARD, inlet manifold oil splash
68-70	Corvette (427, 454) (exc. H.D.),				
71-72	Corvette (454) (exc. Sp. H/Per.) . .	3919853	1	2.45	GUARD, manifold oil splash
69-72	Corvette (350) (exc. Sp. H/Per.) . .	3946830	1	1.35	GUARD, inlet manifold oil splash
73-74	Corvette (454)	353069	1	2.20	GUARD, manifold oil splash
73-75	Corvette (350)	6271071	1	1.40	GUARD, manifold oil splash
53-55	Corvette (6 cyl.)	107380	2	.11	PLUG, expansion, intake manifold 1 1/8" alum.)— (8.970)

FUEL—EXHAUST—CARBURETION

3.265 MANIFOLD— ADAPTER— COVER— GUARD— PLUG— SHIELD, Engine Intake (exhaust manifold in group 3.601) (Con't)

64	Corvette w/Sp. H/Per. (exc. C.A.C.)	445673	1		PLUG, inlet manifold vacuum— (8.971)
69	Corvette w/Sp. H/Per. (350)	3941142	1	.25	PLUG, inl. manifold oil filter tube hole
69	Corvette w/H.D., AL. cyl. and case (427)	3931093	1	8.40	SHIELD, heat inlet manifold

NOTE 1 It may be necessary to plug water by-pass hole in front of manifold with a 1/2 x 14 pipe plug. Also, this part has a carb. pad with ports and stud pattern for Holley Carb., when used in vehicles prior to 1964 the Carter AFB Carb. can be installed by drilling an extra hole in the opposite corners of the carb. throttle body flange to match the stud holes in manifold carb. pad. Use carb. gasket 3849825.

NOTE 2 It may be necessary to plug water temperature switch hole with a 1/2" — 14 pipe plug.

NOTE 3 It may be necessary to remove thermostat by-pass hose connector 3921915 and install connector 3921916.

3.270 GASKET UNIT— GASKET, Manifold (1 center, 2 end gaskets and 1 exh. pipe packing)

53-55	Corvette (6 cyl.)	3707045	1	1.58	
55-56	Corvette (8 cyl.) (exc. dual 4BC)	3711676	1	2.85	intake (Note 1)
55	Corvette (8 cyl.)	3711675	2	.89	exhaust (Note 2)
56	Corvette w/dual 4BC,				
57-62	Corvette (8 cyl.) (exc. F.I.),				
63-68	Corvette (283, 327) (exc. F.I.)	3931600	1	2.69	intake
60-64	Corvette w/F.I.	3772384	1	2.85	intake
65-69	Corvette w/Sp. H/Per. (396, 427),				
71	Corvette w/Sp. H/Per. (454)	3955527	1	3.75	inlet manifold
65-69	Corvette (396, 427) (exc. Sp. H/Per., H.D.),				
70-72	Corvette w/4BC (454) (exc. Sp. H/Per.)	3955526	1		inlet manifold
69	Corvette w/H.D. (427)	3955528	1	5.05	inlet manifold
69-72	Corvette (350)	3957985	1	2.92	inlet manifold
73*	Corvette (454)	6259316	1	2.92	inlet manifold
73	Corvette (350)	6258833	1	2.92	inlet manifold
74	Corvette (454)	6260996	1	2.92	inlet manifold
74	Corvette (350)	345195	1	2.92	inlet manifold
75	Corvette (350)	356801	1	3.48	inlet manifold
57-62	Corvette w/F.I.	3768235	4	.67	GASKET, intake manifold to adapter
63-65	Corvette w/F.I.	3832280	4	.61	GASKET, fuel injector assy.
63-65	Corvette w/F.I.	7017348	1	2.10	GASKET, intake manifold cover

3.273 CLAMP— SLEEVE, Manifold

53-55	Corvette (6 cyl.)	3835505	4	.26	center (2" O.L.)
53-55	Corvette (6 cyl.)	3835424	2	.29	end (1 1/2" O.L.)
53-55	Corvette (6 cyl.)	3835506	3	.20	SLEEVE, intake manifold to cyl. head (1 7/32" closed x 3/8" wide)

3.275 STUD— BOLT, Manifold (also see groups 3.288 manifold to carb., 3.613 manifold to exh. pipe, and 8.981)

53-71	Corvette,				
73-74	Corvette	344996	A.R.	.21	inlet mfd. to exh. mfd. (3/8" — 16 x 3 5/16")
53-71	Corvette,				
73-76	Corvette	483543	A.R.	.10	exh. mfd. ends to hd., intake manifold (3/8" — 16 — 16 x 2 3/16")
53-55	Corvette (6 cyl.)	3835487	2	.37	1 end threaded—other used to line up manifold (3/8" — 16 — 16 — 2 9/32")
53-55	Corvette (6 cyl.)	3798281	A.R.		inlet to exh. mfd. (3/8" — 16 — 24 x 3 13/16") — (3.288)
57-65	Corvette w/F.I.	7014731	1	.96	accel and throttle lever (5/16" — 18 thd. — 2 7/32" O.L.) (1/16" hex. nut machined on stud)
62-63	Corvette (8 cyl.) (exc. F.I.)				exh. man. at right frt. cent.,
63-64	Corvette w/F.I.				at left rr. cent. (3/8" — 16 — 16 x 3 1/2"),
65	Corvette w/F.I. (exc. Air Cond.)	3814568	1	.31	(integral hex. nut 3/8" front end)
64-66	Corvette w/Air Cond. (283, 327, 427)				exhaust— R.H. frt. hole,
70-76	Corvette w/C.A.C. (350)	3932448	1	.59	(3/8" — 16 x 4 3/32")
65-66	Corvette w/P.S. (396, 427),				
67	Corvette (427)	3774029	1	1.55	(5/16" — 18 — 3/16" — 16 x 2 9/16")
67-69	Corvette w/P.S. (427),				
70-74	Corvette w/P/S (454)	3928905	1	1.60	exh. manifold at left side front hole (3/16" — 16 — 5/16" — 18 x 2 5/32")
68	Corvette w/C.A.C. (427)				exh. manifold, front right,

3.275 STUD— BOLT, Manifold (also see groups 3.288 manifold to carb., 3.613 manifold to exh. pipe, and 8.981) (Con't)

69-75	Corvette (4BC w/H/Per.) w/C.A.C. (427, 454)	3928906	2	.30	exh. manifold, 1 and 3, R.H., hole
69-70	Corvette (A.T. w/H.D., AL. Cyl. and Case) (427),				3 and 4 holes L.H. side,
70	Corvette w/4BC (454) (exc. H.D.)	3959168	A.R.	.31	R.H. inlet manifold No. 3 hole ($\frac{3}{8}$ "— 16— $\frac{5}{16}$ "— 18 x $2\frac{1}{4}$ ")
55	Corvette (8 cyl.)	3836646	12	.22	BOLT ($\frac{3}{8}$ "— 16 x $1\frac{5}{8}$ "— 300M steel— circle on head) (exhaust manifold)
56-60	Corvette,				
63	Corvette w/Sp. H/Per.,				
64-71	Corvette (327, 350)	3733134	A.R.	.26	BOLT , at center holes ($\frac{3}{8}$ "— 16 x $2\frac{27}{32}$ ") (300M steel)
63-65	Corvette w/F.I.	7017235	6	.70	BOLT , manifold cover ($\frac{5}{16}$ "— 18 x $3\frac{15}{32}$ ") . .
64-68	Corvette w/Air Cond. (283, 327, 427),				
69	Corvette w/Air Cond. (exc. H/Per. 427),				
70-75	Corvette w/C.A.C. (350)	3841724	1	.43	BOLT ($\frac{3}{8}$ "— 16 x $3\frac{21}{32}$ ")
67-69	Corvette (427)		1		BOLT , exh. manifold ($\frac{3}{8}$ "— 16 x $1\frac{3}{16}$ "),
70-74	Corvette (454)	3909821	A.R.	.20	exh. manifold at end holes
69	Corvette w/Aluminum cyl. and case (427),				
73	Corvette (454)	3736035	8	.20	BOLT , exh. manifold at center holes ($\frac{3}{8}$ "— 16 x $1\frac{1}{4}$ ")
74	Corvette (350) w/C.A.C.	3733130	1	.22	BOLT , exh. manifold, No. 1 R.H. hole ($\frac{3}{8}$ "— 16 x $2\frac{1}{4}$ ")

3.278 FITTING ASSY.— STUD— TEE ASSY., Manifold Vacuum Take-Off (also see group 8.963)

70-72	Corvette (P.B. w/Sp. H/Per.) (350, 454) (exc. A.T.)	3973474	1		vac. inlet manifold— (7.447)
70-72	Corvette w/A.T. (350) (exc. P.B.)	3973472	1	1.43	vac. inlet manifold— (7.447)
70-72	Corvette w/A.T. (454) (exc. P.B.)	3986115	1	1.15	vac. inlet manifold— (7.447)
70-71	Corvette (A.T. w/P.B.) (454)	3986116	1	1.38	vac. inlet manifold— (7.447)
64-69	Corvette,				
73	Corvette w/A.T.,				
74	Corvette (454),				
74-75	Corvette (350) w/A.T.	336015	1	.74	inlet manifold vac.
73-75	Corvette (350) (exc. A.T.)	336013	1	.95	inlet manifold vac.
58-59	Corvette w/P.G.,				
62	Corvette (exc. F.I.)	3749170	1	.47	STUD , hollow ($\frac{5}{16}$ "— 18-24 x $2\frac{5}{32}$ " hose take-off)— (3.288)
64-68	Corvette	3891525	1		TEE ASSY. , vac. inlet manifold (one $\frac{3}{8}$ " hose take-off and one $\frac{1}{4}$ " hose take off $\frac{3}{8}$ "— 18 thds.— (7.447)
65-68	Corvette	3891526	1	.80	TEE ASSY. , vac. inlet manifold ($\frac{3}{8}$ "— 18 thd. and $\frac{3}{8}$ " hose take-off)— (7.447)

3.288 STUD— WASHER, Inlet Manifold to Carburetor (Also see Groups 3.275 and 8.981)

53-72	Corvette	3731702	A.R.	.31	left side front hole, adapter, right side, frt. ($\frac{3}{8}$ "— 16 x $1\frac{49}{64}$ "), speed cruise control reg. mtg. brkt.
55-72	Corvette	333959	A.R.	.17	($\frac{5}{16}$ "— 18— 24 x $1\frac{11}{16}$ ")
58-61	Corvette w/P.G.,				
62	Corvette (exc. F.I.)	3749170	1	.47	$\frac{5}{16}$ "— 18— 24 x $2\frac{5}{32}$ ") (drilled for vacuum take-off)
63	Corvette w/H/Per. (327)	3785098	1	.95	($\frac{5}{16}$ "— 18 -24 x $2\frac{5}{16}$ ")
70-72	Corvette w/Sp. H/Per., (350, 454)	3967475	4	.37	($\frac{5}{16}$ "— 18— 24 x $1\frac{7}{8}$ ")
56	Corvette	3719427	2	.10	WASHER , frt. mtg. stud ($1\frac{11}{32}$ " I.D. x $1\frac{11}{32}$ " O.D.)

3.304 SEAL KIT, Fuel Injection

57-65	Corvette	7017174	1	6.45	fuel meter (incl. dr. shaft)
-------	--------------------	---------	---	------	--

3.308 GASKET, Fuel Meter Gear and Fuel Injection

57-65	Corvette	7014104	1	.33	pump
-------	--------------------	---------	---	-----	----------------

3.314 SOLENOID ASSY.— BRACKET— SCREW— SWITCH, Fuel or Air Meter

64-65	Corvette	7017361	1	26.50	w/7017380
57-59	Corvette,				

FUEL—EXHAUST—CARBURETION

3.314 SOLENOID ASSY.— BRACKET— SCREW— SWITCH, Fuel or Air Meter (Con't)

64-65	Corvette	7038913 A.R.	.28	SCREW, air meter switch brkt., fuel meter passage cover, solenoid brkts. (10— 32 x 3/4") (w/7014520-4800-4960-7300-7380)— (3.730) (Note 1)
-------	----------	--------------	-----	--

NOTE 1 Used with Sand Cast F.I. Assy.

64-65	Corvette	7017379	1	2.83	SWITCH, solenoid cut-off
-------	----------	---------	---	------	--------------------------

3.318 COVER— GASKET— GROMMET— NUT— WASHER, Fuel Meter Control

57-65	Corvette	7014781	1	7.40	COVER, diaphragm
57-65	Corvette	7017084	1	.21	GASKET, diaphragm cover
57-65	Corvette	7014191	1	.39	NUT, diaphragm

3.320 DIAPHRAGM— LINK ASSY.— ROD— SHAFT— SPRING, Fuel Meter Enrichment

63-65	Corvette	7017303	1	5.20	
57-65	Corvette	7017306	1	49.95	LINK ASSY., axle and internal
63-65	Corvette	7017305	1	4.50	ROD, control
57-64	Corvette	7014512	1	.15	SPRING (w/7014360-4800-4900-4960-7200-7250-7300-7310-7320-7355-7360-7375)
64-65	Corvette	7017394	1	.43	SPRING (w/7017380)

NOTE 1 Used with Die Cast F.I. Assy.

3.322 COVER— SCREW— SEAL— SLEEVE— KIT— SPRING, Fuel Meter

63-65	Corvette	7017279	1	3.54	fuel valve (w/7017375-80)
57-59	Corvette	7038913	1	.28	SCREW, passage cover— (3.730)
57-65	Corvette w/F.I.	7014546	1	.45	SEAL, fuel valve cover "O" ring
58-65	Corvette	7017218	1	49.95	SLEEVE KIT (w/7014900-7200-7250-7300-7310-7320-7355-7360-7375-80) (Note 2, 3)

NOTE 2 Includes spill sleeve assy., spill plunger spring and O ring.

NOTE 3 Used with Die Cast F.I. Assy.

3.328 SCREW, Fuel Meter Vent (External)

57	Corvette w/H.L. Cam.				
59	Corvette,				
63-65	Corvette	7017041	1	1.12	vent cover

3.330 ELBOW— HOSE— NUT— PIPE ASSY.— SEAL— TUBE, Fuel Injector

58-65	Corvette	7014946	1	1.01	ELBOW, idle air gallery (rubber) (23" I.D. x 29/32" O.D.)
57-65	Corvette	7014368 A.R.			HOSE, nozzle air distributor (rubber-11/32" I.D. x 13/32" O.D. x 13/4" long) (w/7014520-4800-4900-4960-7200-7250-7300-7310-7320-7355-7360-7375-8380)
57-65	Corvette	3758062	1	RL/.31	HOSE, fuel meter bowl to int. manifold (7/32" I.D. x 15/32" O.D. x 1 5/8" long) (w/7014900-7200-7250-7355-7360-7375-7380)
63-64	Corvette	231027	1		HOSE, airmeter vent tube, airmeter to air cleaner
57-65	Corvette	7014108 A.R.		.23	NUT, nozzle pipe (1/4"— 28) (5/16" ext.)
63-65	Corvette	7017240	1	3.05	PIPE ASSY., F.M. to A.M. idle vacuum control (w/7017375-7380)
63-65	Corvette	3834125	1	6.30	PIPE ASSY., fuel filter to fuel meter (w/7017375-7380)
58-65	Corvette	7026716 A.R.		.57	SEAL, dist. line tube assy.— (3.734)
63-65	Corvette	7017291	1	.67	SEAL, F.M. to A.M. idle vacuum control pipe
63-65	Corvette	7017236	1	3.15	TUBE, control diaphragm vent (w/7017375-80)

3.332 NOZZLE— CLAMP— GASKET— HOLDER— SCREW, Fuel Injector Metering

63-65	Corvette	7017323 A.R.		17.75	code W17 and W18
63-65	Corvette	7017324 A.R.		17.75	coded X18 and X19
63-65	Corvette	7017325 A.R.		17.75	coded Y19 and Y20
57-65	Corvette	7014784	4	.15	GASKET, nozzle holder (w/7014520-4800-4900-4960-7200-7250-7300-7310-7320-7355-7360-7375-7380)
57-65	Corvette	7014787	8	.15	GASKET, metering nozzle (w/7014520-4800-4900-4960-7200-7250-7310-7320-7355-7360-7375-7380)
63-65	Corvette	7017244	4	3.90	HOLDER, nozzle (w/7017375-7380)

FUEL—EXHAUST—CARBURETION

3.335		CONE— GASKET— SCREW— STUD, Fuel Injector Air		
57-65	Corvette	7014053		GASKET , outlet ring (rubber-3 ²⁹ / ₃₂ " I.D.) (w/70 14520-4800-4900-4960-7200- 7250-7300-7310-7320-7355-7360)
63	Corvette	3831532	1	18.90 A/CL to A.M. hose
64-65	Corvette	3846118	1	18.90 A/CL to A.M. hose
83-85	Corvette	7029541	1	8.35 CONE , meter outlet
57-85	Corvette	7014016	1	.11 GASKET , air meter (3 ¹ / ₂ " I.D.— 3 ²⁹ / ₃₂ " square) (w/7014520-4800-4900-4960- 7250-7300-10-20-55-60-75-80)
83-85	Corvette	7017263	1	.34 GASKET , outlet (w/7017375-80)
63-69	Corvette	3959570	1	STUD , air meter (5 ¹ / ₁₆ "— 18— 24 x 1 ⁹ / ₁₆ "— (3.288)

3.340		SHAFT ASSY.— CABLE UNIT— CABLE ASSY.— COUPLING— GASKET— GEAR— PIN— SEAL ASSY.— SHIM— WASHER, Fuel Injection Distributor		
57-65	Corvette	6409648	1	13.55 F.M. pump flexible w/casing
57-63	Corvette (1st design)	1585719	1	4.08 CABLE UNIT , F.M. drive (w/o casing) (6 ²¹ / ₆₄ "
63-65	Corvette (3rd design)	6409698	1	7.03 CABLE ASSY. , F.M. drive (w/o casing) (Note 1)
<i>NOTE 1 The 2nd design part is no longer available.</i>				
57-65	Corvette	1939939	1	4.83 COUPLING , tachometer drive (w/1110914- 90-1022-63-64-70)
57-65	Corvette	1937979	1	.12 GASKET , lower hsg. oil seal (w/1110914- 15-90-1022-63-64-70)
57-65	Corvette	1938656	1	16.80 GEAR , drive shaft drive (w/1110914-15-90- 1022-63-64-70)
58-65	Corvette	1941237	1	17.80 GEAR , drive shaft drive (w/1110914-15-90- 1022-63-64-70)
57-65	Corvette	1862218	1	.09 PIN , drive shaft driven gear (w/1110914- 15-90-1022-63-64-70)
57-65	Corvette	1937986	A.R.	2.55 SEAL ASSY. , lower hsg. cross shaft-tach. end (w/1110914-90-1022-63-64-70)
57-65	Corvette	1913003	A.R.	.07 SHIM , tach, drive shaft gear (w/1110914- 15-90-1022-63-64-70)
57-64	Corvette	3947896	1	.13 WASHER , drive shaft driven gear (w/1110914-15-90-1022-63-64-70)

3.402		CLEANER, Carburetor Air		
<i>NOTE When using certain cleaners on non-closed vent systems, it will be necessary to pinch shut closed system tube.</i>				
55-61	Corvette w/4BC,			
62	Corvette (exc. F.I.)	5648423	1	45.00
64-65	Corvette w/Sp. H/Per.	6419921	1	75.75 w/silencer
66	Corvette w/A.I.R. (exc. H/Per., 427)	6422287	1	40.75 w/silencer (chrome)
66-67	Corvette (327) (exc. A.I.R.),			
67	Corvette w/A.I.R. (327)	6484498	1	56.50 w/silencer
66-67	Corvette w/H/Per. (427) (exc. A.I.R., 3/2BC),			
69-72	Corvette w/Sp. H/Per. (350)	6423907	1	42.75 w/silencer (chrome)
67	Corvette w/3/2BC (exc. A.I.R.),			
68-69	Corvette w/3/2BC	6423757	1	84.50 w/silencer
68-69	Corvette (exc. 3/2BC, H.D. 427, Sp. H/Per. 350)	6423272	1	44.75 w/silencer
70-72	Corvette (350, 454) (exc. Sp. H/Per.)	6485887	1	44.75 w/silencer
71	Corvette w/Sp. H/Per. (454)	6485239	1	44.25 w/silencer
73-74	Corvette	6487577	1	44.75 w/silencer
75	Corvette	8994027	1	46.60 w/silencer
75	Corvette Opt. K50	8995171	1	w/silencer

3.403		GASKET— STUD, Air Cleaner		
57	Corvette w/F.I.,			
63-65	Corvette w/F.I.	3741810	1	.17 to carb. (4 ⁷ / ₈ " I.D. x 5 ³ / ₈ " O.D.)
58-61	Corvette w/Carter 4BC, dual 4BC,			
64	Corvette (exc. Sp. H/Per.)			to carb.,
62-63	Corvette (exc. F.I.),			
65	Corvette (exc. H/Per., Sp./H/Per., F.I.)	1463468	A.R.	.16 (4 ¹ / ₄ " I.D. x 4 ⁵ / ₈ " O.D. x 1 ¹ / ₁₆ " thk.)
64-65	Corvette w/Sp./H/Per.,			
66	Corvette (8 cyl.),			
67-68	Corvette w/4BC (exc. A.I.R.),			
67-69	Corvette w/H.D. (427),			

3.403 GASKET— STUD, Air Cleaner (Con't)

70-71	Corvette (350, 454) (exc. H.D.),				
72-76	Corvette	3969843	1	.27	air cleaner and silencer
67-69	Corvette w/3/2BC (427)	3899698	3	.28	to carb.
64-65	Corvette w/Sp. H/Per. (327),				
69-75	Corvette	3785256	1	.54	STUD (1/4"- 20 x 2) (Note 1-2)

NOTE 1 This is a universal stud that must be cut to required length when servicing certain models. If the stud is not cut down, damage to the hood panel or carburetor can result when the hood is closed.
NOTE 2: It may be necessary to use (2) 1/4"- 20 nuts as shoulder.

65	Corvette (396),				
66-67	Corvette,				
69-72	Corvette w/Sp. H/Per. (350, 454)	3873852	1	.50	STUD (1/4"- 20-20 x 1 1/2")
68-69	Corvette w/3/2BC,				
74-75	Corvette	3785256	1	.54	STUD

3.406 BASE ASSY.— FLANGE— SEAL, Air Cleaner Oil

65-67	Corvette (396, 427),				
68	Corvette,				
69-72	Corvette w/Sp. H/Per. (350)	6422188	1	13.35	
66-67	Corvette (exc. 427)	6422931	1	16.70	(w/6421816-2286-3240-3907)
73-74	Corvette (350)	330525	1	6.40	FLANGE, a/cl seal
73-74	Corvette (454)	330527	1	6.40	FLANGE, a/cl seal
75-76	Corvette	354366	1	6.40	FLANGE, a/c seal
67-69	Corvette w/H.D. (427)	3934165	1	1.18	SEAL, a/cl. to hood

3.410 COVER— DIFFUSER— ELEMENT— RETAINER— SCREEN— BREATHER ASSY., Air Cleaner

65-66	Corvette (396)	6422356	1	10.35	w/silencer (w/6421816) (chrome)
66-68	Corvette (327, 427)		1		w/6421963-2286-7-3240-69-3520-3889-3907-8-9,
70-72	Corvette w/Sp. H/Per. (350)	6421832	1	19.90	w/6423907
67	Corvette w/3/2BC (exc. A.I.R.),				
68-69	Corvette w/3/2BC	6424009	1	18.25	
70-72	Corvette (350, 454) (exc. Sp. H/Per.)	6483843	1	23.70	COVER ASSY. (w/6485887)
67-69	Corvette w/H.D. (427)	6423906	1	8.70	DIFFUSER, air
63-65	Corvette w/F.I.	6418400	1	7.05	ELEMENT (w/6418094) (A163C)
63-66	Corvette (exc. F.I.)	6484339	1	5.62	ELEMENT (w/5649411-6418317-8842-9505-9506-9921) (A165C)
70-72	Corvette (350, 454) (exc. Sp. H/Per.),				
73-74	Corvette	6483645	1	6.77	ELEMENT (w/6485887)
75	Corvette	6484235	1	7.32	ELEMENT (w/8994027)
60-61	Corvette (exc. F.I.),				
62	Corvette	6484295	1	6.45	ELEMENT ASSY. (w/5645689-90-8423) (A98C) (Note 1)

NOTE 1 May be used on 1958-59 Corvette w/dual 4BC models if air cleaner 5645690 is also used.

65-67	Corvette (327, 396),				
68	Corvette (327)				ELEMENT ASSY. (w/6421213-14-16-63),
69	Corvette (exc. 3/2BC, H.D. 427),				
70-72	Corvette w/Sp. H/Per. (350, 454)	6421746	1	8.35	(w/6423272-3907-6485239)
67-68	Corvette (427)				ELEMENT ASSY. (w/6423757-58) (A273C),
69	Corvette w/3/2BC	6423688	1	6.57	w/6423757
67-69	Corvette w/H.D. (427)	3902394	1	11.75	RETAINER, carb. air int. screen
67-69	Corvette w/H.D. (427)	3902396	1	2.47	SCREEN, carb. air int.
73-75	Corvette	331847	1	2.61	SCREEN, carb. air cont. vlv.
63-65	Corvette	5649530	1	5.95	SCREEN ASSY. (w/5649411-6418317-8842-9505-9506-9921)
73-75	Corvette	6484966	1	1.93	BREATHER ASSY.

3.415 VALVE— RETAINER— FRAME ASSY.— SOLENOID ASSY., Air Cleaner Intake Valve

73-75	Corvette	3955226	1	4.35	air cont.
73-75	Corvette	3955227	1	.36	RETAINER, vlv.
73-75	Corvette	3975984	1	5.00	FRAME ASSY., vlv.
73-75	Corvette	1114427	1	14.25	SOLENOID ASSY., vlv.

3.417 COVER— HOSE— DUCT— GASKET— SEAL— SCREEN— STUD— TUBE, Air Cleaner

76*	Corvette	367135	1		COVER, carb. air heat stove
63-65	Corvette w/F.I.	3853879	1	2.35	cleaner to air meter
76*	Corvette	367137	1		HOSE, carb. air heat stove
67	Corvette w/H.D. (427)	3908129	1	22.80	DUCT, hood air intake

FUEL—EXHAUST—CARBURETION

3.417 COVER—HOSE—DUCT—GASKET—SEAL—SCREEN—STUD—TUBE, Air Cleaner (Con't)

73-75	Corvette	331833	1	1.25	GASKET, carb. air cont. valve carr.
75	Corvette (350)	343769	1	2.90	TUBE, carb. choke heat
73-75	Corvette	331848	1	7.40	SEAL, carb. air cont. valve
73-75	Corvette	3955231	1	5.45	SEAL, air cleaner to hood
73-75	Corvette	3959544	4	.06	STUD, incl. manif. oil sph. guard

3.425 SWIVEL—BUSHING—CLAMP—CLEVIS—CLIP—RETAINER—SLEEVE—STUD—WASHER, Throttle Control Rod

55-62	Corvette w/P.G. (8 cyl.)				carb. to accel. rod,
55-59	Corvette				bellcrank rod,
65-69	Corvette	3711199	A.R.	.27	carb. to accel. lever rod
56-66	Corvette (8 cyl.) (exc. dual 4BC)	3892880	1	.26	accel. control rod
56-61	Corvette w/dual 4BC	3729810	1	1.01	accel. rod to frt. accel. rod
54-55	Corvette (6 cyl.),				
56-72	Corvette	3794377	1	.15	BUSHING, accel. rod (⁵ / ₁₆ " I.D. x ¹ / ₂ " O.D.) ..
55-57	Corvette (8 cyl.)	3710620	2	.15	BUSHING, accel. pedal rod (nylon)
68-72	Corvette	3921617	1	.18	CLAMP, accel. control cable
53-55	Corvette (6 cyl.)	3703528	A.R.	.29	CLIP, carb. to accel. lever rod attach.
53-55	Corvette (6 cyl.)				CLIP, carb. to accel. rod attach.,
55-62	Corvette				accel. to control rod swivel,
65-69	Corvette	3700188	A.R.	.27	carb. to accel. lever rod., carb. to cont. lever, carb. to accel. lever rod swivel
58	Corvette w/P.G.				CLIP, cross shaft rod swivel,
65-69	Corvette	3711177	A.R.	.26	accel. control rod swivel
67	Corvette w/3/2BC,				
70-73	Corvette	6270583	A.R.		CLIP, ctr. to rear carb. rod
69-70	Corvette	6255773	A.R.	.18	CLIP, rod end auto. choke rod to carb.
71-75	Corvette	3989067	1	.11	CLIP, auto. choke rod
68-73	Corvette	403929	1	.06	RETAINER, cable to accel. pedal lever, accel. control cable
75-76	Corvette	1247872	1	.11	RETAINER, accel. control cable
53-69	Corvette	3866271	A.R.	.11	SLEEVE, accel. cont. rod (¹ / ₄ " I.D. x ³ / ₈ " O.L.) (nylon)
69	Corvette (350) (exc. H/Per.),				
69	Corvette w/H/Per. (427),				
70-73	Corvette	3924414	1	.21	STUD, accel. lever ball
70-76	Corvette	3718496	1	.10	WASHER, trans. cont. lk. cable

3.430 ROD—CABLE ASSY.—END, Carburetor to Accelerator Lever

55-65	Corvette, (exc. 396, F.I.)	3827696	1	1.05	accel. control
56-61	Corvette w/dual 4BC	3731410	1	1.75	throttle lever control (¹ / ₄ "— 28 x ⁷ / ₁₆ ") ...
63-65	Corvette w/F.I.	3828224	1	.90	accel. control
63-65	Corvette w/F.I.	7017241	1	2.55	accel. control lever to air meter
65-66	Corvette (396, 427)	3900278	1	2.45	accel. control
66-67	Corvette (327)	3880168	1	1.00	accel. cont.
67	Corvette w/4BC (427) (exc. P.G.)	3901988	1	2.70	accel. control
67	Corvette w/3/2BC (427) (exc. P.G.)	3901990	1	2.45	accel. control
68-72	Corvette (exc. 3/2BC),				
73	Corvette	336977	1	4.40	CABLE ASSY., accel. cont.
69	Corvette (H/Per., Sp. H/Per. w/3/2BC)	3973861	1	4.65	CABLE ASSY., accel. cont.
74	Corvette	340635	1	4.40	CABLE ASSY., accel. cont.
75	Corvette	1248093	1	4.40	CABLE ASSY., accel. cont.
56-62	Corvette w/dual 4BC	3731411	1	2.90	END (¹ / ₄ " O.L.)

3.431 ROD—GUIDE, Accelerator Pedal to Lever

63	Corvette	3830512	1	.95	accel. pedal
64-67	Corvette	3847956	1	1.20	accel. pedal
68-69	Corvette	3934092	1	2.30	accel. pedal (Note 1)
<i>NOTE 1: No pin above D slot.</i>					
69-75	Corvette	340692	1	2.10	ROD ASSY., accel. pedal
68-75	Corvette	3796374	A.R.	.16	GUIDE, accel. cont. cable

3.440 PIN—RELAY ASSY.—SOLENOID—WIRE ASSY., Carburetor Throttle Return Check

66-71	Corvette w/Roch. 4BC	9428787	1	.24	slotted, carb. valve & pump lever hinge— (8.940)
71-72	Corvette w/C.A.C.	3998204	1	2.45	RELAY ASSY., anti-dieseling blocking
68-70	Corvette	1114421	1	8.85	SOLENOID, carb. idle control
71-72	Corvette (350, 454)	1114444	1	13.70	SOLENOID, carb. idle control
72	Corvette w/Roch. 4BC	1997409	1	10.75	SOLENOID ASSY., carb.
73-74	Corvette (350)	1997409	1	10.75	SOLENOID ASSY., carb. idle cont.
73-74	Corvette (454)	1997417	1	11.30	SOLENOID ASSY., carb. idle stop

FUEL—EXHAUST—CARBURETION

3.440 PIN— RELAY ASSY.— SOLENOID— WIRE ASSY., Carburetor Throttle Return Check (Con't)

72	Corvette w/Holly 4BC	6273914	1	11.95	SOLENOID UNIT, carb. C.E.C. (w/3999263) (Holley 83R-32-A)
68-69	Corvette (4BC w/H/Per.) (4-Spd. w/C.A.C.) (427)	6297665	1	2.40	WIRE ASSY., carb. idle cont. sol.

3.444 BRACKET— CLAMP, Carburetor Throttle Return Check

68-69	Corvette (4BC w/H/Per.) w/C.A.C. (350, 427),				
69	Corvette (C.A.C. w/Sp. H/Per.) (350)	3940915	1	4.55	carb. idle control solenoid
69	Corvette (T.H. 400 w/H.D.) (427)	3967426	1	1.55	carb. idle control solenoid
71-72	Corvette w/Holley 4BC	3979663	1	2.00	carb. idle control solenoid (Holley 49R-1018) w/3986195-96-3989021, 3999263
68-69	Corvette (3/2BC w/H/Per.) w/C.A.C. (427),				
68-69	Corvette (Sp. H/Per. w/T.H. 400) (427)	3940916	1	5.40	BRACKET ASSY., carb. idle control solenoid
71-74	Corvette w/Roch. 4BC	7042682	1	1.50	BRACKET ASSY., carb. idle control solenoid (Rochester)
68-69	Corvette (C.A.C. w/H/Per.) w/4BC (350, 427),				
69	Corvette (A.T. w/H.D.) (427)	3940917	1	3.10	CLAMP, carb. idle control sol.
68-69	Corvette (3/2BC w/Sp. H/Per.) w/T.H. 400 (427),				
68-69	Corvette (3/2BC w/H/Per.) w/C.A.C. (427)	3940918	1	3.10	CLAMP, carb. idle control sol.

3.451 PEDAL— ANTI-SQUEAK— COVER— PLATE, Accelerator

NOTE 1 When using 3753794 it may be necessary to lengthen mounting holes, when using 3658481 on 1940 models remove bracket riveted to floor board.

55-57	Corvette	3711379	1	2.76	w/brkt. (rubber— 1 ³ / ₄ " x 9")
58-62	Corvette	3820328	1	2.79	(plastic 10 ³ / ₄ " O.L.) (moulded 3820328)
63-67	Corvette	2388493	1	2.65	
68-72	Corvette	3920296	1	1.58	
73-76	Corvette	6262207	1	3.05	
55-67	Corvette	3825201	1	.10	ANTI-SQUEAK
69-72	Corvette	3972621	1	.10	COVER, pedal support
68-72	Corvette	3923611	1	.90	PLATE, pedal trim
63-67	Corvette	3824827	1	.37	PLATE, pedal rod support mtg.
68-73	Corvette	3915747	1	.34	PLATE, pedal rod support mtg.
68-75	Corvette	3919767	1	.20	PLATE ASSY., accel. pedal mtg.
74-76	Corvette	340691	1	.20	PLATE ASSY., accel. pedal rod supt. mtg.

3.452 PIN— STUD— SUPPORT, Accelerator Pedal

63-67	Corvette	3741578	1	.58	
68-74	Corvette	3921677	1	.23	
75-76	Corvette	346324	1	.20	
58-62	Corvette	3748971	1	.32	STUD, ball (1/4"— 20 x 1 1/2") (Note 1)
<i>NOTE 1 If required use 120392 washer to obtain proper height.</i>					
68	Corvette	3921618	1	.56	SUPPORT, rod
69-75	Corvette	3972620	1	.74	SUPPORT, rod
63-67	Corvette	3825202	1	.89	SUPPORT ASSY., rod

3.454 BRACKET— EXTENSION— LEVER— SUPPORT ASSY., Accelerator

68-69	Corvette w/3/2BC	3921613	1	.74	accel. cont. cable
68-69	Corvette w/4BC (exc. H.D. 427, Sp. H/Per. 350),				
70-72	Corvette (350, 454) (exc. Sp. H/Per.),				
73	Corvette	3992386	1	2.00	BRACKET ASSY., accel. control cable
68-69	Corvette w/H.D. (427),				
69-72	Corvette w/Sp. H/Per. (350, 454)	3972627	1	3.10	BRACKET ASSY., accel. control cable
68-69	Corvette (C.A.C. w/H/Per.) w/4BC (427)	3940921	1	3.10	EXTENSION, accel. control lever
68-69	Corvette (3/2BC w/H/Per.) w/C.A.C. (427),				
69	Corvette (3/2BC w/Sp. H/Per.) w/T.H. 400 (427)	3940922	1	9.00	EXTENSION, accel. control lever
58	Corvette (exc. F.I. w/P.G.),				
59-62	Corvette	3748974	1	1.35	LEVER, control rod
63-64	Corvette w/F.I. (1st design)	7017242	1	13.70	LEVER, accel. control (w/7017375)

3.454 BRACKET— EXTENSION— LEVER— SUPPORT ASSY., Accelerator (Con't)

64-65	Corvette (exc. H/Per., 396)	3844175	1	1.20	LEVER, accel. control rod
65	Corvette w/Sp. H/Per. (396),				
66	Corvette w/H/Per. (427) (exc. P.G.),				
67	Corvette (3/2BC w/H/Per.) (427),				
67	Corvette (327)	3869750	1	1.68	LEVER, accel. control rod
68	Corvette (1st design)	3923664	1	3.80	LEVER, accel. pedal (Note 1)
	NOTE 1 3/16" dia. pin brazed above D slot on lever.				
68-69	Corvette (2nd design)	3934093	1	2.25	LEVER, accel. pedal (Note 2)
	NOTE 2 No pin above D slot.				
74	Corvette	340651	1	1.05	SUPPORT ASSY., accel. cont. cable
75-76	Corvette	352279	1	2.25	SUPPORT ASSY., accel. control cable

3.459 SPRING— BRACKET, Accelerator Pull Back

55-61	Corvette (8 cyl.) (exc. F.I.),				
62	Corvette	3722020	1	.63	(5 1/16" free length— 35" coils) (light green)
56-61	Corvette w/dual 4BC	3731413	1	.45	front (4 3/32" free length— 13 1/2" coils)
56-61	Corvette w/dual 4BC	3731414	1	.45	rear (2 35/64" free length— 31 1/2" coils)
62-63	Corvette w/Sp. H/Per.	3821966	1	.37	(6 1/4" free length) (white)
63-64	Corvette (exc. F.I., Sp. H/Per.),				
65-66	Corvette (327),				
67	Corvette (327) (exc. P.G.)	3830222	1	.60	(4 13/32" free length— 30" coils)
63-65	Corvette w/F.I.	3827005	1	.48	(2 63/64" min. working length)
66-67	Corvette (427) (exc. 3/2BC, P.G.)	3887422	1	.45	
67	Corvette w/P.G. (327)	3904245	1	.45	(lime)
68-69	Corvette,				
72	Corvette	3909982	1	.18	accel. pedal tension (black)
68-69	Corvette (exc. 3/2BC)	3921680	1	.61	(black)
68	Corvette w/3/2BC (1st design)	3937913	1	1.25	(3 5/32" free length— 10 coils) (yellow)
69	Corvette w/3/2BC	3972631	1	.45	(3 23/64" free length— 19 coils) (orange)
70-72	Corvette	3972624	1	.26	black
70-71	Corvette	6261798	1	.21	accel. pedal tension
73-76	Corvette	330122	1	.18	accel. pedal
73*	Corvette	6261811	1	.21	accel. pull back
74-76	Corvette	340637	1	.20	accel. pull back (outer)
74-76	Corvette	340638	1	.20	accel. pull back (inner)
56-61	Corvette w/dual 4BC	3729808	2	.45	BRACKET (one 1 3/32" dia. hole)
63-67	Corvette (exc. F.I.)	3824300	1	.88	BRACKET, spring (two 1 3/32" holes)
63-65	Corvette w/F.I.	3829877	1	.48	BRACKET, spring
65-66	Corvette w/Sp. H/Per. (396),				
66-68	Corvette (427)	3876720	1	.78	BRACKET, spring (3 1/16" center to center holes)
68-69	Corvette w/3/2BC	3960647	1	.26	BRACKET, spring

3.463 STUD, Accelerator Intermediate

53-67	Corvette (exc. 8 cyl.)	3997258	1	.72	accel. control lever (6/16" — 18 x 2 5/64" — 1/2")
57-62	Corvette w/F.I.	7014731	1	.96	(6/16" — 18 thd.-2 7/32" O.L.)— (3.275)

3.469 SEAL— BOOT, Accelerator Rod Linkage

53-55	Corvette	3695852	1	.11	(felt— 7/16" I.D. x 1 3/4" O.D. x 3/8" thick)
62	Corvette	3782356	1	.50	BOOT, tach. flexible shaft

3.483 GUIDE, Accelerator Control Cable

74-75	Corvette	3796374	1	.16	GUIDE, accel. control cable
-------	----------	---------	---	-----	-----------------------------

3.601 MANIFOLD, Engine Exhaust (intake manifold in group 3.265)

57-61	Corvette (283),				
62-63	Corvette (283, 327) (exc. H/Per., Sp. H/Per., F.I.)	3749965	L.H.	28.50	L.H. (cast 3749965)
57	Corvette (F.I. w/H.L. Cam),				
57	Corvette (283),				
58-61	Corvette,				
62-63	Corvette (exc. F.I., H/Per., Sp. H/Per.),				
64-65	Corvette (P.G. w/H/Per.) (327)	3817806	R.H.	28.50	R.H. (cast 3750556)
57	Corvette w/F.I. (exc. H.L. Cam),				
66-67	Corvette (327) (exc. A.I.R.),				
70-71	Corvette (350) (exc. Sp. H/Per.)				R.H.,
72	Corvette (350) (exc. Sp. H/Per.),				
74	Corvette w/A.T. (350) (exc. Sp. H/Per. NB-2)	336711	2	26.00	
75	Corvette	336711	2	26.00	
62-65	Corvette w/Sp. H/Per., F.I. (327),				

FUEL—EXHAUST—CARBURETION

3.601 MANIFOLD, Engine Exhaust (intake manifold in group 3.265) (Con't)

62-65	Corvette w/H/Per. (327) (exc. P.G.)				R.H.
63-65	Corvette w/F.I.	3814970	1	28.50	L.H. (cast 3797902)
62-63	Corvette w/H/Per., Sp. H/Per., F.I.	3797901	L.H.	28.50	L.H. (cast 3797901)
64	Corvette (283, 327) (exc. H/Per., Sp. H/Per., F.I.)				
65-66	Corvette (283, 327) (exc. A.I.R., H/Per., Sp. H/Per., F.I.)				
64-65	Corvette (P.G. w/H/Per.)				
67	Corvette (327) (exc. A.I.R.)				
70-71	Corvette (350) (exc. Sp. H/Per.)	3846559	L.H.	28.50	L.H.
64-65	Corvette w/H/Per., Sp. H/Per. (exc. P.G.)	3846563	L.H.	28.50	L.H.
65	Corvette w/Sp. H/Per. (396)				
66-69	Corvette (427)	3880833	L.H.	34.00	L.H.
66-67	Corvette w/A.I.R. (327)				
68	Corvette (327)				
69	Corvette (350)				
70-72	Corvette w/Sp. H/Per. (350)				R.H.
73-75	Corvette (350)				(L.H. & R.H. for 1973 only)
74-75	Corvette (350) (exc. Sp. H/Per. A.T.)				
74-75	Corvette (A.T. w/N8-2) (350) (exc. Sp. H/Per.)				
74-75	Corvette w/Sp. H/Per. (350)	3932461	2	28.50	
66-67	Corvette w/A.I.R. (327)				
68-69	Corvette (327, 350)				
70-71	Corvette w/Sp. H/Per. (350)	3872765	L.H.	28.50	L.H.
66-69	Corvette (427)				
70-74	Corvette (454)	3880834	R.H.	36.00	R.H.
70-71	Corvette (454) (exc. A.I.R., Sp. H/Per.)				
71	Corvette w/Sp. H/Per. (454)				
72-73	Corvette w/A.I.R. (454)				
74	Corvette (454)	3969923	L.H.	36.00	L.H.

3.602 COVER—BAFFLE—BOLT—BRACKET—MOULDING—SHIELD—STRAP, Manifold

65-67	Corvette w/side mtd. exh.	3872283	1	99.50	body sill exh. pipe heat shield L.H.
65-67	Corvette w/side mtd. exh.	3872284	1	99.50	body sill exh. pipe heat shield R.H.
69	Corvette w/side mtd. exh.	3948079	A.R.	.75	BOLT , heat shield rear mtd.
65-67	Corvette w/side mtd. exh.	3872263	1	.44	BRACKET , body sill exh. pipe heat shield L.H.
65-67	Corvette w/side mtd. exh.	3872264	1	.44	BRACKET , body sill exh. pipe heat shield R.H.
65-67	Corvette w/side mtd. exh.	3876556	2	1.85	BRACKET , body sill exh. pipe heat shield rear
69	Corvette w/side mtd. exh.	3966775	1	1.25	BRACKET , rear L.H.
69	Corvette w/side mtd. exh.	3966776	1	1.25	BRACKET , rear R.H.
69	Corvette w/side mtd. exh.	3948020	2	27.15	MOULDING , shield, center, outer, finned alum.
69	Corvette w/side mtd. exh.	3948021	L.H.	12.50	MOULDING , shield, front left, outer, alum.
69	Corvette w/side mtd. exh.	3948022	R.H.	12.50	MOULDING , shield, front, right, outer, alum.
69	Corvette w/side mtd. exh.	3948023	L.H.	9.95	MOULDING , shield, rear, left, outer, alum.
69	Corvette w/side mtd. exh.	3948024	R.H.	9.95	MOULDING , shield, rear, right, outer, alum.
63-66	Corvette w/H/Per. Sp. H/Per., F.I. (exc. side mtd. exh. P.G.)				
67	Corvette (exc. P.G., side mtd. exh)	3851673	L.H.	3.70	SHIELD , front L.H.
75	Corvette	356955	1	16.25	SHIELD , ctitc. conv. heat
69	Corvette w/side mtd. exh.	3972591	L.H.	100.00	SHIELD ASSY. , L.H.
69	Corvette w/side mtd. exh.	3972592	R.H.	100.00	SHIELD ASSY. , R.H.
69-76	Corvette	3958885	2	.70	SHIELD ASSY. , body sill heat
75	Corvette	356979	1	10.50	SHIELD ASSY. , rr. exhaust crossover pipe heat
75	Corvette w/4-Spd.	356951	1	16.25	SHIELD ASSY. , exhaust pipe heat
75-76	Corvette w/T.H. 400	356953	1	16.75	SHIELD ASSY. , exhaust pipe heat
69-74	Corvette (exc. side mtd. exh.)	3828291	2	.20	STRAP , exh. pipe heat shield

3.603 TUBE, Exhaust Manifold Choke Heat

57	Corvette (8 cyl.)	3747292	1	1.38	
58-61	Corvette (8 cyl.) (exc. F.I.)				
62-63	Corvette (exc. Sp. H/Per., F.I.)				
64-66	Corvette	3814026	1	1.38	

3.604 LOCK, Exhaust Manifold Bolt

56-62	Corvette,				
64-65	Corvette w/Air Cond. (8 cyl.) (exc. 396),				
66-75	Corvette (327, 350)	3880844	4	.10	end bolt
65-67	Corvette (396, 427)	3860351	4	.11	end bolt

3.609 EXTENSION, Engine to Muffler Exhaust

NOTE: Refer to Group 3.701 for chart containing 1953-75 exhaust and crossover pipes.

55-62	Corvette (8 cyl.)	3815513	L.H.	7.30	exhaust pipe, L.H. (low noise)
55-62	Corvette (8 cyl.)	3815514	R.H.	7.30	exhaust pipe, R.H. (low noise)
65-72	Corvette,				
74	Corvette (454)	3890689	A.R.	1.38	(1 ¹³ / ₃₂ " O.L. x 2 ¹ / ₂ " O.D.) (steel)
66-68	Corvette				
70-73	Corvette,				
74-75	Corvette (350)	3748781	A.R.	.38	(1 ¹³ / ₃₂ " O.L. x 2" O.D.) (steel)
75-76	Corvette	3890382	1	1.74	EXTENSION, exh. pipe

3.609 PIPE, Exhaust Crossover

75-76	Corvette	356947	1	62.75	PIPE, exh. crossover (frt.)
-------	----------	--------	---	-------	-----------------------------

3.610 FLANGE, Exhaust Pipe Packing

53-55	Corvette (6 cyl.)	3696988	1	1.13	exh. pipe to crossover pipe (2 ³ / ₁₆ " I.D.— cast 3696988)
57-61	Corvette (8 cyl.) (exc. H/Per.),				
62-63	Corvette (exc. F.I.),				
64-65	Corvette (exc. H/Per., Sp. H/Per., F.I.)				
66-67	Corvette w/P.G. (327) (exc. side mtd. exh.),				
69	Corvette (350) (exc. side mtd. exh.)				crossover pipe assy.,
70-75	Corvette (350)	3734402	A.R.	.48	front exh. pipe
64-71	Corvette	3915125	1	2.10	(2 ¹ / ₂ " w/3 holes)

3.611 PACKING— GASKET— RING, Exhaust Pipe

53-71	Corvette,				
72-74	Corvette (350)	6271611	2	.56	exh. frt. pipe
62-71	Corvette,				
72-74	Corvette (454)	6271612	2	.37	exh. frt. pipe
53-55	Corvette (6 cyl.),				
55-56	Corvette (8 cyl.) (exc. dual 4BC)	3711669	A.R.	.21	GASKET, flange (2" I.D.)
56-60	Corvette (exc. F.I.)				GASKET, exh. pipe (triangle type outlets),
61	Corvette w/F.I.,				
62-65	Corvette (exc. H/Per., Sp. H/Per., F.I.),				
66-72	Corvette (327, 350), 74 Corvette (350)				
74	Corvette (350)	3946828	A.R.	.27	exh. pipe to manifold spacer
62-66	Corvette w/H/Per., Sp. H/Per (327, 396, 427),				
67-69	Corvette (427),				
70-74	Corvette (454) (exc. H.D.)				GASKET, exh. manifold valve to manifold,
62-65	Corvette w/F.I.,				
63	Corvette w/H/Per., Sp. H/Per. (327)	3981068	A.R.	.27	exh. pipe to manifold spacer
76	Corvette	3731062	1	.58	RING, exh. pipe to manif. sealing

3.613 STUD— NUT— WASHER, Exhaust Pipe

53-74	Corvette	3760425	A.R.		exh. pipe and muffler, exh. crossover pipe to exh. manifold (3/8"— 16 x 16 x 2 ³ / ₁₆ ")— (3.275)
53-74	Corvette	3760426	A.R.		exh. pipe and muffler, exh. crossover pipe to exh. manifold (3/8" 16— 16 x 2 ¹ / ₈ ")— (3.275)
75	Corvette	344996	1	.21	exh. pipe R.H.
53-72	Corvette	838780	A.R.	.15	NUT, exhaust pipe and muffler (3/8"— 16 x 3/8" thick) (brass)
53-75	Corvette	3829086	A.R.	.11	NUT, exh. pipe to exh. manifold (3/8"— 16) (zinc plated anti-seize coated)
53-72	Corvette	3754153	A.R.	.10	WASHER, exh. pipe to exh. manifold (3/8" I D. x 3/4" O.D. x 1/8" thick)— (5.383)

3.616 NUT— RETAINER— SUPPORT, Exhaust Pipe Support

65-67	Corvette w/side mounted dual exh.				body sill exh. pipe heat shield cover and mldg. retainer,
67	Corvette w/side mtd. dual exh.	3880494 A.R.	.20		body sill exh. pipe shield cover brkt.
53-60	Corvette	3751443 A.R.	.33		RETAINER, clamp and insulator— (3.704) ..

3.640 THERMOSTAT, Exhaust Manifold Heat Control Valve

53-55	Corvette (6 cyl.)	838573	1	1.07	
-------	-----------------------------	--------	---	------	--

3.641 SPRING— PIN, Manifold Heat Control Valve

53-55	Corvette (6 cyl.)	602799	1	.48	rear, anti-rattle (1/4" wide stock— coiled) ...
57-60	Corvette (8 cyl.) (exc. F.I.),				
61-67	Corvette (exc. F.I.),				
68-74	Corvette	3746600	1	.22	anti-rattle
68-69	Corvette (427)	3942443	1	.17	valve weight stop
68-69	Corvette (427)	3942436	1	.17	PIN, valve thermostat stop

3.647 VALVE ASSY.— BUSHING— PIPE— SPACER, Exhaust Manifold

55	Corvette (8 cyl.)	3725981	1	6.95	w/thermostat
57-61	Corvette (8 cyl.) (exc. F.I., H/Per.),				
61	Corvette (exc. F.I.),				
62-65	Corvette (exc. H/Per., Sp. H/Per., F.I.),				
66-75	Corvette (327, 350)	3887024	1	8.45	
62-65	Corvette w/H/Per., Sp. H/Per.,				
66-68	Corvette (427),				
70-74	Corvette (454)	3887034	1	10.50	
69	Corvette (427)	3969903	1	9.20	
75	Corvette	355915	1	14.50	exh. heat
75	Corvette	343729	1		VALVE, exh. heat
74-75	Corvette (350)	362652	1	8.45	VALVE, exh. heat
66	Corvette (427),				
70-71	Corvette (454)	3848282	2	.20	BUSHING, valve shaft
66	Corvette w/A.I.R. (283, 327),				
67	Corvette (283, 327),				
70-71	Corvette (350),				
73-74	Corvette	3887032	2	.22	BUSHING, valve shaft
66	Corvette (283, 327) (exc. Sp. H/Per.)				
66	Corvette w/Sp. H/Per. (427)	3877484	4	.95	PIPE, center and end
62-65	Corvette w/F.I.	3877480 A.R.			PIPE ASSY.
66-69	Corvette w/H.D. (427)	3796797	1	3.17	SPACER, pipe to manifold
		3845304	1	4.65	SPACER, exh. pipe to manifold

3.650 PULLEY— SPACER, Air Injection Reactor

NOTE: See Group 1.066 for belt application.

66-67	Corvette (exc. 327 w/Air Cond.)	3880800	1	7.20	
68	Corvette (exc. 427),				
69	Corvette (350) (exc. H/Per.),				
70-72	Corvette w/Sp. H/Per. (350),				
72	Corvette (350) (exc. Sp. H/Per.),				
73-74	Corvette (350) (exc. C.A.C.)	3917234	1	5.45	
73-75	Corvette w/C.A.C. (350)	3927116	1	.84	
68-69	Corvette w/4BC (427),				
68-69	Corvette (3/2BC w/Sp. H/Per.) (427),				
70-72	Corvette (454)	3925522	1	4.03	pump (3 hole attachment)
69	Corvette w/H/Per. (350) (exc. C.A.C.),				
75	Corvette (350) (exc. C.A.C.)	3932458	1	1.63	
73-74	Corvette (454)	330552	1	1.73	air inj. pump.
68	Corvette (327) (exc. Sp. H/Per.),				
68	Corvette (C.A.C. w/Sp. H/Per.) (327),				
69	Corvette w/H/Per., Sp. H/Per. (350) (exc. C.A.C.),				
70	Corvette w/Sp. H/Per. (350)	3933184	1	6.05	SPACER, pump pulley (21/32" thick)
68	Corvette w/Sp. H/Per. (327) (exc. C.A.C.),				
71-72	Corvette w/Sp. H/Per. (350),				
73-74	Corvette (350)	3933185	1	5.45	SPACER, pump pulley (3/4" thick)
68	Corvette w/C.A.C. (327, 350) (exc. Sp. H/Per.),				
68	Corvette (P.S. w/C.A.C.) w/Sp. H/Per. (327)	3933186	1	5.20	SPACER, pump pulley (1/2" thick)

3.650 PULLEY— SPACER, Air Injection Reactor (Con't)

69	Corvette (350) (exc. H/Per., Sp. H/Per., C.A.C.)	3941122	1	5.65	SPACER, pump pulley (19/32 thick)
----	--	---------	---	------	-----------------------------------

3.655 BRACE— BOLT— BRACKET— NUT— SPACER— STUD, Air Injection Reactor Pump Mounting

68-69	Corvette (327, 350),				
70-71	Corvette w/Sp. H/Per. (350),				
72-75	Corvette (350)	3933093	1	.79	
68-74	Corvette (427, 454)	3921903	1	.74	
66-69	Corvette,				
70-71	Corvette w/Sp. H/Per. (350),				
72-75	Corvette	3877606	1	.26	BOLT, pump pivot (3/8"— 16 x 5 1/4")
66-67	Corvette (427)	3882831	1	11.75	BRACKET, pump
66-69	Corvette (327, 350),				
70-71	Corvette w/Sp. H/Per. (350),				
72-74	Corvette (350),				
75	Corvette	3923214	1	11.15	BRACKET, pump
68-74	Corvette (427, 454)	3919890	1	4.00	BRACKET, pump
66-69	Corvette	9422297	1	.16	NUT, pump— (8 917)
66-69	Corvette (283, 327),				
69	Corvette (Roch. 4BC w/H/Per.) (427),				
70-71	Corvette w/Sp. H/Per. (350),				
72-74	Corvette (350),				
75	Corvette	3877800 A.R.		.11	SPACER (13/32" I.D. x 2 1/32" O.D. x 1 1/2" long)
75	Corvette	357056	1	2.35	SPACER, manifold vac actr. #5 hole (R.H.)
75	Corvette	357057	1	2.25	SPACER, vac. actr. #4 hole (R.H.)

3.660 PUMP ASSY.— PUMP UNIT, Air Injection Reactor Pump

66-67	Corvette	7800308	1	61.45	
72-74	Corvette	7803948	1	53.75	
75	Corvette	7817575	1	54.55	
68-71	Corvette	7806686	1	55.10	PUMP UNIT

3.665 BEARING— FAN— GREASE— SCREW— SEAL— SHOE— SPRING— VANE, Air Injection Reactor Pump

66-67	Corvette	5696030	1	7.50	housing rot. rr.
68	Corvette,				
73-74	Corvette	7813409	1	2.26	FAN
66-67	Corvette	1050525	1	1.18	GREASE (2 oz. container)— (8 800)
66-67	Corvette	5697026	6	.72	SCREW, housing rot. end plate
66-67	Corvette	7801092	1	1.62	SEAL, rear housing
66-67	Corvette	5695846	6	1.06	SHOE, vane
66-67	Corvette	5695845	3	.68	SPRING, vane shoe
66-67	Corvette	5696594	1	11.05	VANE, w/bearing (symmetrical type)
66-67	Corvette	5696599	2	11.05	VANE, w/bearing (offset type)

3.670 VALVE ASSY.— BRACKET— SWITCH ASSY.— PLUG, Air Injection Reactor

66-67	Corvette	5354987 A.R.		3.66	check (L.H.)
66-67	Corvette	5354988	1	4.56	chk. (R.H.)
66-67	Corvette	5696639	1	2.39	pump relief
66-67	Corvette (327)	7033546	1	11.70	
66-67	Corvette (427)	7033547	1	11.70	fuel mixture control
68-75	Corvette	5361992	2	4.41	air inj. check
68	Corvette (327)	7036449	1	15.30	diverter (stamped 28469)
68	Corvette (427),				
69	Corvette w/H.D. (427)	7036447	1	15.30	diverter (stamped 28296)
68	Corvette (327) (exc. Sp./H/Per.)	7803286	1	2.51	pump relief
69	Corvette (427) (exc. H.D.)	7029298	1	15.30	diverter
69-71	Corvette (350),				
72	Corvette,				
73-74	Corvette (350)	7029199	1	15.30	relief diverter valve assy.
70-71	Corvette	7029297	1	15.30	air injector relief diverter valve assy.
72-73	Corvette (454)	7029190	1	15.25	diverter
74	Corvette (454)	7040361	1	12.30	diverter
75	Corvette	7040150	1	10.50	diverter
75	Corvette	4974265	1	4.40	VALVE, catalytic converter check
73	Corvette (350) (exc. Sp. H/Per., A.T.)	7040318	1	16.85	(E.G.R.)
73-74	Corvette w/Sp. H/Per. (350) (exc. A.T.)	7040299	1	16.85	(E.G.R.)
73	Corvette (454)	7047066	1	16.85	(E.G.R.)
73	Corvette w/A.T. (350) (exc. Sp. H/Per.)	7035172	1	16.85	(E.G.R.)

3.670 VALVE ASSY.— BRACKET— SWITCH ASSY.— PLUG, Air Injection Reactor (Con't)

73-74	Corvette (A.T. w/Sp. H/Per.) (350)	7047065	1	16.85	(E.G.R.)
74	Corvette w/A.T. (454) (exc. NB-2)	7049867	1	16.85	(E.G.R.)
74	Corvette (A.T. w/NB-2) (454)	7041425	1	16.85	(E.G.R.)
74	Corvette (A.T. w/NB-2) (350) (exc. Sp. H/Per.)	7040437	1	16.85	(E.G.R.)
74	Corvette (350) (exc. A.T., Sp. H/Per.)				
74	Corvette w/A.T. (350) (exc. NB-2, Sp. H/Per.)	7041409	1	16.85	(E.G.R.)
74	Corvette w/NB-2 (350) (exc. A.T., Sp. H/Per.)	7040599	1	16.85	(E.G.R.)
75	Corvette w/Sp. H/Per. (350) (exc. A.T.)	7043137	1		(E.G.R.)
75	Corvette M.T. 4-Spd.	17052669	1	17.05	VALVE, E.G.R.
75	Corvette H/Per. 4-Spd.	17052670	1	17.05	VALVE, E.G.R.
75	Corvette w/A.T. (exc. Sp. H/Per.)	17052671	1	18.05	(E.G.R.)
68	Corvette (327)	3923204	1	.59	BRACKET, diverter valve
74	Corvette	3030200	1	7.95	SWITCH ASSY. (E.G.R.) valve vac. cont.— (2.408)
75	Corvette	3031549	1	8.85	SWITCH, E.G.R. valve vac. control
66-68	Corvette (327, 427).				
69	Corvette w/H.D. (427)	7801659	1	.63	PLUG, pump pressure setting (black)

3.672 SILENCER ASSY., Air Injection Reactor

68	Corvette				air injector pump,
68	Corvette,				
69	Corvette w/H.D. (427)	1492575	1	2.07	by-pass valve, diverter valve, relief diverter valve (Note 1)

NOTE 1 It may be necessary to use Tube 7035403 for proper fit of muffler and valve.

3.675 HOSE— ADAPTER— PIPE— EXTENSION— TUBE, Air Injection Reactor

66-67	Corvette (327)	3884578	1	2.46	pump outlet (R.H.)
66	Corvette (327)	3884579	1	3.52	pump outlet (L.H.)
66-67	Corvette (327)	3905298	1	1.65	pump inlet
66	Corvette,				
67	Corvette (327)	3903366	1	2.29	fuel mixture cont. vlv. to chk. vlv.
66-67	Corvette (427)	3889356	1	2.29	pump outlet
66	Corvette (427)	3884655	1	1.76	pump inlet
66-67	Corvette (327)	3890404	1	1.76	fuel mixture cont. valve by-pass
67	Corvette w/Sp. H/Per. (427)	3909889	1	2.18	pump inlet
68	Corvette (exc. 427)	3911029	L.H.	2.98	pump to outlet (Note 1)
69	Corvette w/3/2BC	3951457	1	7.15	pump outlet, L.H.
71	Corvette w/Sp. H/Per. (454)	3989395	1	2.29	air injector diverter valve to L.H. check valve
73-75	Corvette	3905067	1	3.75	c/case vent/to A/Cl.
69	Corvette w/3/2BC	3955222	1	3.65	ADAPTER, div. valve
66-72	Corvette (427, 454)	3880887	8	.45	PIPE, exh. gas combustion
66-69	Corvette (327, 350),				
70-71	Corvette w/Sp. H/Per. (350),				
72	Corvette (350)	3877484	A.R.	.95	PIPE, exh. gas comb.
66	Corvette (exc. 427 H/Per.),				
67-69	Corvette (327, 350),				
70-71	Corvette w/Sp. H/Per. (350),				
72-75	Corvette (350)	333831	L.H.	8.55	PIPE ASSY., exh. gas combustion (L.H.)(Note 1)
66-67	Corvette (427)	3889348	1	10.80	PIPE ASSY., injection (R.H.)
66-69	Corvette (427, 454)	3889377	1	10.80	PIPE ASSY., injection (L.H.)
68	Corvette (exc. 427 H/Per.),				
66-68	Corvette (327),				
69	Corvette (350),				
70-71	Corvette w/Sp. H/Per. (350),				
72	Corvette,				
73-74	Corvette (350)	333832	R.H.	5.70	PIPE ASSY., air inj.
68-69	Corvette (427) (exc. H/Per.)	3917252	1	9.90	PIPE ASSY., injection (R.H.)
71	Corvette w/Sp. H/Per. (454),				
72	Corvette (454),				
73-74	Corvette (454)	333823	L.H.	8.40	PIPE ASSY., air inj.
71	Corvette w/Sp. H/Per. (454),				
72-74	Corvette (454)	333824	R.H.	7.90	PIPE ASSY., air inj.
73-75	Corvette (350)	3877484	8	.95	EXTENSION, air inj. pipe
73-74	Corvette (454)	3882805	8	.89	EXTENSION, air inj. pipe
75	Corvette	330516	1		EXTENSION, air inject. pipe
68	Corvette	7035403	1	.33	TUBE, diverter valve

FUEL—EXHAUST—CARBURETION

3.675 HOSE— ADAPTER— PIPE— EXTENSION— TUBE, Air Injection Reactor (Con't)

73-74 Corvette (454) **353043** 1 .82 TUBE, exh. gas rtn.
 NOTE 1 It may be necessary to cut or rework hose for proper fit.

3.680 CLAMP— CONNECTOR— ELBOW— PLUG— GASKET— TEE, Air Injection Reactor

73-74 Corvette (350) **353090** 1 1.29 (E.G.R.) valve
 73-74 Corvette (454) **353087** 1 1.29 (E.G.R.) valve
 72 Corvette (454) **3951346** 1 2.31 CONNECTOR, air inj. div. valve
 68 Corvette (327) **7801154** 1 .70 ELBOW, pump
 69 Corvette (exc. 427),
 70-71 Corvette w/Sp. H/Per. (350),
 72-75 Corvette (350) **3947728** 1 3.96 ELBOW, diverter valve mtg.
 73-74 Corvette (454) **3951346** 1 2.31 ELBOW, air inj. diverter vlv.
 73-74 Corvette (454) **9427697** 1 .12 PLUG (E.G.R.)
 73-74 Corvette (454) **353086** 1 .12 GASKET (E.G.R.) valve
 75 Corvette **343752** 1 .95 GASKET, E.G.R. valve
 68 Corvette,
 69 Corvette w/H/Per. 427,
 70-75 Corvette (350, 454) **3942534**A.R. .12 GASKET, diverter valve gasket
 74-75 Corvette **311141** 3 SCREW, air injector diverter valve elbow ...
 72 Corvette (454) **3760758** 1 .49 TEE, spark control pipe— (10.155)
 75-76 Corvette **6272766** 1 1.01 TEE, air inj. diverter valve

3.685 CONVERTER ASSY.— PIPE ASM.— SHIELD, Catalytic

75 Corvette **8998163** 1 161.25
 75 All 260 Conv. **8998244** 1 32.10 REPAIR KIT, catalytic conv. bottom pan ...
 75 Corvette **360452** 1 3.75 PIPE ASM., catalytic

3.701 MUFFLER, Engine Exhaust

1953-55 CORVETTE EXHAUST SYSTEM

NOTE: See Dealer Price Schedule (P&A 26) for Applicable Prices.

ENGINE	MUFFLER 3.701	EXHAUST PIPE 3.609	TAILPIPE 3.705
6 Cyl.		3706225 (L.H.)	
283	3815512 (R.H.)A 3815511 (L.H.)A 3813533 (L.H.)BC 3813534 (R.H.)BC	—	—

NOTE: Exhaust Pipes for 1955 (8 Cyl.) are no longer available.

A. Low noise.

B. w/exh. pipe ext.

C. Used for off road service or track use only.

1956 CORVETTE EXHAUST SYSTEM

NOTE: See Dealer Price Schedule (P&A 26) for Applicable Prices.

ENGINE	MUFFLER 3.701	EXHAUST PIPE 3.609	TAILPIPE 3.705
283	3815512 (R.H.)A 3815511 (L.H.)A 3813533 (L.H.)BC 3813534 (R.H.)BC		

A. Low noise.

B. w/exh. Pipe ext.

C. Used for off road service or track use only.

D. Incorporates 3 hole flange for attaching to exh. manifold.

E. Incorporates 2 hole flange for attaching to exh. manifold.

FUEL—EXHAUST—CARBURETION

1957 CORVETTE EXHAUST SYSTEM

NOTE: See Dealer Price Schedule (P&A 26) for Applicable Prices.

ENGINE	MUFFLER 3.701	EXHAUST PIPE 3.609	TAILPIPE 3.705
283	3815512 (R.H.)A 3815511 (L.H.)A 3813533 (L.H.)BCF 3813534 (R.H.)BCF	3798804 (L.H.)D 3798803 (R.H.)D 3735167 (L.H.)E 3735164 (R.H.)E	3752555 (L.H.) 3752556 (R.H.)

- A. Low noise.
- B. For off road service or track use only.
- C. w/F.I.
- D. Crossover
- E. Exc. F.I.
- F. w/exh. pipe ext.

1958-59 CORVETTE EXHAUST SYSTEM

NOTE: See Dealer Price Schedule (P&A 26) for Applicable Prices.

ENGINE	MUFFLER 3.701	EXHAUST PIPE 3.609	TAILPIPE 3.705
283	3815512 (R.H.)A 3815511 (L.H.)A 3813533 (L.H.)BCDH 3813534 (R.H.)BCDH	3798804 (L.H.)CDEF 3798803 (R.H.)CDEF 3735167 (L.H.)G 3735164 (R.H.)G	3752555 (L.H.) 3752556 (R.H.)

- A. Low noise.
- B. For off road service or track use only.
- C. w/F.I.
- D. (Dual 4BC w/H.L. Cam)
- E. Crossover
- F. When used with (dual 4BC w/H.L. Cam) part number 3798804 is the R.H. while 3798803 is the L.H.
- G. (Exc. F.I., dual 4BC w/H.L. Cam)
- H. w/exh. pipe ext.

1960-61 CORVETTE EXHAUST SYSTEM

NOTE: See Dealer Price Schedule (P&A 26) for Applicable Prices.

ENGINE	MUFFLER 3.701	EXHAUST PIPE 3.609	TAILPIPE 3.705
283	3813533 (L.H.)ABKE 3853534 (R.H.)ABKE 3815511 (L.H.)J 3815512 (R.H.)J	3798803 (R.H.)ABHI 3798804 (L.H.)ABHI 3735164 (R.H.)CD 3735167 (L.H.)CD	3752555 (L.H.)F 3752556 (R.H.)F 3796745 (L.H.)G 3796746 (R.H.)G

- A. w/F.I.
- B. (Dual/4BC w/H.L. Cam)
- C. Exc. F.I.
- D. (Exc. dual 4BC w/H.L. Cam)
- E. w/exh. pipe ext.
- F. 1960
- G. 1961
- H. Crossover
- I. When used with (dual 4BC w/H.L. Cam) in 1960 part number 3798804 is the R.H. while 3798803 is the L.H.
- J. Low noise.
- K. For off road service or track use only.

FUEL—EXHAUST—CARBURETION

1962 CORVETTE EXHAUST SYSTEM

NOTE: See Dealer Price Schedule (P&A 26) for Applicable Prices.

ENGINE	MUFFLER 3.701	EXHAUST PIPE 3.609	TAILPIPE 3.705
327 (exc. off road exh.)	3815511 (L.H.)F 3815512 (R.H.)F 3813534 (R.H.)ACE 3813533 (L.H.)ACE	3798803 (L.H.)AD 3798804 (R.H.)AD 3798789 (L.H.)A 3798790 (R.H.)A 3735164 (R.H.)B 3735167 (L.H.)B	3796745 (L.H.) 3796746 (R.H.)

- A. w/H/Per., Sp. H/Per., F.I.
- B. Exc. H/Per., Sp. H/Per., F.I.
- C. w/exh. pipe ext.
- D. Crossover
- E. For off road service or track use only.
- F. Low noise.

1963 CORVETTE EXHAUST SYSTEM

NOTE: See Dealer Price Schedule (P&A 26) for Applicable Prices.

ENGINE	MUFFLER 3.701	EXHAUST PIPE 3.609	TAILPIPE 3.705
327 (exc. off road exh.)	3943386 (R.H.)A 3943385 (L.H.)A 3846532 (R.H.)B 3846532 (R.H.)C 3846531 (L.H.)B 3846531 (L.H.)C	3819565 (frt. L.H.)A 3819566 (frt. R.H.)A 3830631 (rr. L.H.)A 3830632 (rr. R.H.)A 3822581 (frt. L.H.)B 3822581 (frt. L.H.)C 3822582 (frt. R.H.)B 3822582 (frt. R.H.)C 3830627 (rr. L.H.)B 3830627 (rr. L.H.)C 3830628 (rr. R.H.)B 3830628 (rr. R.H.)C	3819573
327 w/off road exh.	3845735 (L.H.)DE 3845736 (R.H.)DE	—	3819573

- A. w/H/Per., Sp. H/Per., F.I. (exc. P.G.)
- B. (H/Per. w/P.G.)
- C. (Exc. H/Per., Sp. H/Per., F.I.)
- D. w/exh. pipe.
- E. For off road service or track use only.

FUEL—EXHAUST—CARBURETION

1964 CORVETTE EXHAUST SYSTEM

NOTE: See Dealer Price Schedule (P&A 26) for Applicable Prices.

ENGINE	MUFFLER 3.701	EXHAUST PIPE 3.609	TAILPIPE 3.705
327 (exc. off road exh.)	3943386 (R.H.)A 3943385 (L.H.)A 3846532 (R.H.)B 3846532 (R.H.)C 3846531 (L.H.)B 3846531 (L.H.)C	3849861 (frt. L.H.)A 3849862 (frt. R.H.)A 3863497 (rr. L.H.)A 3863498 (rr. R.H.)A 3846533 (rr. L.H.)B 3846533 (rr. L.H.)C 3846534 (rr. R.H.)B 3846534 (rr. R.H.)C 3849865 (frt. L.H.)B 3849865 (frt. L.H.)C 3849866 (frt. R.H.)B 3849866 (frt. R.H.)C	3819573
327 w/off road exh.	3845735 (L.H.)DE 3845736 (R.H.)DE	—	3819573

- A. w/H/Per., Sp. H/Per., F.I. (exc. P.G.)
- B. (H/Per. w/P.G.)
- C. (Exc. H/Per., Sp. H/Per., F.I.)
- D. w/exh. pipe
- E. For off road service or track use only.

FUEL—EXHAUST—CARBURETION

1965 CORVETTE EXHAUST SYSTEM

NOTE: See Dealer Price Schedule (P&A 26) for Applicable Prices.

ENGINE	MUFFLER 3.701	EXHAUST PIPE 3.609	TAILPIPE 3.705
327 (exc. side mtd. exh., off road exh.)	3846531 (L.H.)C 3846531 (L.H.)E 3846532 (R.H.)C 3846532 (R.H.)E 3943385 (L.H.)B 3943386 (R.H.)B	3863498 (rr. R.H.)B 3863497 (rr. L.H.)B 3846534 (rr. R.H.)C 3846534 (rr. R.H.)E 3846533 (rr. L.H.)C 3846533 (rr. L.H.)E 3849861 (frt. L.H.)B 3849862 (frt. R.H.)B 3849865 (frt. L.H.)C 3849865 (frt. L.H.)E 3849866 (frt. R.H.)C 3849866 (frt. R.H.)E	3819573
327 w/side mtd. exh.	3872971 (L.H.)AF 3872972 (R.H.)AF	—	—
327 w/off road exh.	3845735 (L.H.)D 3845736 (R.H.)D	—	3819573
396 (exc. side mtd. exh., off road exh.)	3943385 (L.H.) 3943386 (R.H.)	3869583 (frt. L.H.) 334932 (frt. R.H.) 3863498 (rr. R.H.) 3863497 (rr. L.H.)	3819573
396 w/side mtd. exh.	3872969 (L.H.)AF 3872970 (R.H.)AF	—	—
396 w/off road exh.	3845735 (L.H.)D 3845736 (R.H.)D	—	3819573

- A. w/exh. and tailpipe
- B. H/Per., Sp. H/Per., F.I. (exc. P.G.)
- C. H/Per. w/P.G.
- D. w/exh. pipe
- E. Exc. H/Per., Sp. H/Per., F.I.
- F. For off road service or track use only.

FUEL—EXHAUST—CARBURETION

1966-1967 CORVETTE EXHAUST SYSTEM

NOTE: See Dealer Price Schedule (P&A 26) for Applicable Prices.

ENGINE	MUFFLER 3.701	EXHAUST PIPE 3.609	TAILPIPE 3.705
327 (exc. side mtd. exh., off road exh.)	3943386 (R.H.)B 3846531 (L.H.)C 3846532 (R.H.)C 3943385 (L.H.)B 3943386 (R.H.)B	334926 (frt. R.H.)B 3849865 (frt. L.H.)C 3849866 (frt. R.H.)C 3877209 (frt. L.H.)B 334926 (frt. R.H.)B 3846533 (rr. L.H.)C 3846534 (rr. R.H.)C 3863497 (rr. L.H.)B 3863498 (rr. R.H.)B	3819573
327 w/side mtd. exh.	3877215 (L.H.)AG 3877216 (R.H.)AG	—	—
327 w/off road exh.	3845735 (L.H.)D 3845736 (R.H.)D	3863497 (rr. L.H.) 3863498 (rr. R.H.)	3819573
427 (exc. side mtd. exh., off road exh.)	3943385 (L.H.)BE 3943386 (R.H.)BE 3846531 (L.H.)CF 3846532 (R.H.)CF	3869583 (L.H. frt.)B 334932 (frt. R.H.)B 3880401 (frt. L.H.)C 3880402 (frt. R.H.)C 3863497 (rr. L.H.) 3863498 (rr. R.H.)	3819573
427 w/side mtd. exh.	3872969 (L.H.)AG 3872970 (R.H.)AG	—	—
427 w/off road exh.	3845735 (L.H.)D 3845736 (R.H.)D	3863497 (rr. L.H.) 3863498 (rr. R.H.)	3819573

A. w/exh. and tailpipe.

B. Exc. P.G.

C. w/P.G.

D. w/exh. pipe

E. w/T.H.

F. Exc. T.H.

G. For off road service or track use only.

1968 CORVETTE EXHAUST SYSTEM

NOTE: See Dealer Price Schedule (P&A 26) for applicable prices.

ENGINE	MUFFLER 3.701	EXHAUST PIPE 3.609	TAILPIPE 3.705
327	3943385 (L.H.) A 3943386 (R.H.) A 3931803 (L.H.) BG 3931804 (R.H.) BG	334926 (R.H.) (front) C 3913895 (L.H.) (front) 334940 (R.H.) (front) D 3931829 (L.H.) (rear) 3931830 (R.H.) (rear) C 3931800 (R.H.) (rear) D	3952742
427	3943385 (L.H.) A 3943386 (R.H.) A 3931803 (L.H.) BG 3931804 (R.H.) BG	3880401 (L.H.) (front) 334932 (R.H.) (front) C 334940 (R.H.) (front) E 3921600 (R.H.) (front) F 3931829 (L.H.) (rear) 3931830 (R.H.) (rear) C 3931800 (R.H.) (rear) D	3952742

A. Exc. off road exhaust.

B. w/off road exhaust.

C. Exc. T.H.

D. w/T.H.

E. w/T.H. (exc. ABC w/H/Per.).

F. (T.H. w/H/Per.).

G. For off road service or track use only.

FUEL—EXHAUST—CARBURETION

1969 CORVETTE EXHAUST SYSTEM

NOTE: See Dealer Price Schedule (P&A 26) for applicable prices.

ENGINE	MUFFLER 3.701	EXHAUST PIPES 3.609	TAILPIPE 3.705
350 w/side mtd. exh.	3979479 (L.H.) A 3979478 (R.H.) A	—	—
350 (exc. side mtd. exh.)	3960601 (L.H.) 3960602 (R.H.)	334921 (L.H.) (front) B 334922 (R.H.) (front) B 334923 (L.H.) (front) C 334924 (R.H.) (front) C 3960603 (L.H.) (rear) 3960604 (R.H.) (rear) B 3960606 (R.H.) (rear) C	3952742
427 w/side mtd. exh.	3973871 (L.H.) A 3979480 (R.H.) A	—	—
427 (exc. side mtd. exh.)	3960601 (L.H.) 3960602 (R.H.)	3952729 (L.H.) (front) B 3952730 (R.H.) (front) B 3952731 (L.H.) (front) C 3952732 (R.H.) (front) C 3960603 (L.H.) (rear) 3960604 (R.H.) (rear) B 3960606 (R.H.) (rear) C	3952742

A. Muffler Assy. includes exh. and tailpipe.
 B. (exc. T.H. 400).
 C. w/T.H. 400.

1970-72 CORVETTE EXHAUST SYSTEM

NOTE: See Dealer Price Schedule (P&A 26) for Applicable Prices.

ENGINE	MUFFLER 3.701	EXHAUST PIPES 3.609	TAILPIPES 3.705
350 (exc. Sp. H/Per.)	3960601 (L.H.) 3960602 (R.H.)	334921 (frt. L.H.) A 334922 (frt. R.H.) A 334923 (frt. L.H.) B 334924 (frt. R.H.) B 3960603 (rr. L.H.) 3960604 (rr. R.H.) A 3960606 (rr. R.H.) B	3974659 (L.H.) 3974660 (R.H.)
350 (w/Sp. H/Per.)	3943386 (R.H.) 3943385 (L.H.)	334926 (frt. R.H.) 334925 (frt. L.H.) 3931829 (rr. L.H.) 3931830 (rr. R.H.)	3974659 (L.H.) 3974660 (R.H.)
454	3943385 (L.H.) 3943386 (R.H.)	334932 (frt. R.H.) A 334929 (frt. L.H.) 3921600 (frt. R.H.) B 3931829 (rr. L.H.) 3931830 (rr. R.H.) A 3931800 (rr. R.H.) B	3974659 (L.H.) 3974660 (R.H.)

A. Exc. T.H. 400.
 B. w/T.H. 400.

FUEL—EXHAUST—CARBURETION

1973 CORVETTE EXHAUST SYSTEM

ENGINE	MUFFLER 3.701	EXHAUST PIPES 3.609	TAILPIPES 3.705
350 (exc. Sp. H/Per.)	334993 (L.H.) 334994 (R.H.)	334921 (frt. L.H.) A 334922 (frt. R.H.) A 334923 (frt. L.H.) B 334924 (frt. R.H.) B 3960603 (rr. L.H.) 3960604 (rr. R.H.) A 3960606 (rr. R.H.) B	330997 (L.H.) 330998 (R.H.)
350 (w/Sp. H/Per.)	334995 (L.H.) 334996 (R.H.)	334925 (frt. L.H.) 334926 (frt. R.H.) A 334940 (frt. R.H.) B 3931829 (rr. L.H.) 3931830 (rr. R.H.) A 3931800 (rr. R.H.) B	330997 (L.H.) 330998 (R.H.)
454	334995 (L.H.) 334996 (R.H.)	334932 (frt. R.H.) A 334929 (frt. L.H.) 334936 (frt. R.H.) B 3931829 (rr. L.H.) 3931830 (rr. R.H.) A 3931800 (rr. R.H.) B	330997 (L.H.) 330998 (R.H.)

A. Exc. T.H. 400.
B. w/T.H. 400.

1974 CORVETTE EXHAUST SYSTEM

ENGINE	MUFFLER* 3.701	EXHAUST PIPES 3.609	RESONATOR W/PIPE 3.609
350 (exc. Sp. H/Per.)	340829 (L.H.) 340830 (R.H.)	334921 (frt. L.H.) A 334922 (frt. R.H.) A 334923 (frt. L.H.) B 334924 (frt. R.H.) B	340821 (L.H.) 340822 (R.H.) A 340824 (R.H.) B
350 (w/Sp. H/Per.)	340831 (L.H.) 340832 (R.H.)	334925 (frt. L.H.) 334926 (frt. R.H.) A 334940 (frt. R.H.) B	340825 (L.H.) 340826 (R.H.) A 340828 (R.H.) B
454	340831 (L.H.) 340832 (R.H.)	334929 (frt. L.H.) 334932 (frt. R.H.) A 334936 (frt. R.H.) B	340825 (L.H.) 340826 (R.H.) A 340828 (R.H.) B

A Exc. T.H. 400
B w/T.H. 400
* Includes Tailpipe

FUEL—EXHAUST—CARBURETION

1975 CORVETTE EXHAUST SYSTEM

ENGINE	MUFFLER* 3.701	EXHAUST PIPES 3.609
350	356971 (L.H.) 356972 (R.H.)	356949 (A) 356948 (B) 356947 (C) 356958 (D)

A w/T.H. 400
B Exc. T.H. 400
C Front
D Rear
*Includes pipe.

3.704 BRACKET— HANGER— INSULATOR— RETAINER— SPACER, Muffler

63	Corvette	3827497	1	.80	L.H., rear exh.
63	Corvette	3827498	1	.80	R.H., rear exh.
64-67	Corvette (exc. side mt. exh.)	3849775	1	1.55	L.H., rear exh.
64-67	Corvette (exc. side mt. exh.)	3849776	1	1.23	R.H. rear exh.
68-72	Corvette (exc. side mtd. exh.)	3913898	2	1.55	muffler and rear exh.
73	Corvette	330937	L.H.	1.55	muff. & rr. exh. pipe arm.
73	Corvette	330938	R.H.	1.55	muff. & rr. exh. pipe frm.
63	Corvette	3829335	2	4.95	HANGER
74	Corvette	339712	2	1.75	HANGER ASSY., tail pipe
75	Corvette	351509	L.H.	1.61	HANGER ASSY., exhaust converter
75	Corvette	351510	R.H.	1.61	HANGER ASSY., exhaust converter
75	Corvette	359961	L.H.	2.50	HANGER ASSY., tail pipe
65-67	Corvette w/side mtd. exh.	3863849	4	.80	INSULATOR, exh. and tail pipe
69	Corvette w/side mounted exh.	3949190	4	.43	INSULATOR, muffler and tail pipe
51-64	Corvette	3751443	A.R.	.33	RETAINER, tail pipe and exh. pipe (all locations)
65-67	Corvette w/side mtd. exh.	3863850	4	1.79	RETAINER, exh. and tail pipe
69	Corvette w/side mounted exh.	3949191	2	.48	RETAINER, muffler, exhaust and tailpipe
63	Corvette	3827495	2	.28	SPACER, muffler and rear exh. pipe mtg. insulator to muffler
75	Corvette	356956	1	5.95	HANGER, rear conv.

3.705 EXTENSION ASSY.— BEZEL— FLANGE— SHIELD, Muffler Tail

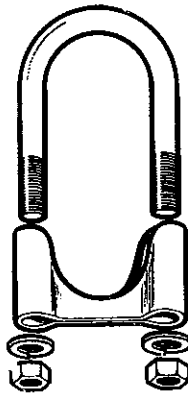
NOTE: Refer to Group 3.701 chart for 1953-73 tailpipes.

56-58	Corvette (1st design)	3740295	2	6.25	(19 ⁵ / ₈ " dev. length) (stamped 3740295)
58-60	Corvette (2nd design)	3762440	2	3.31	(19" dev. length) (stamped 3762440)
63	Corvette	3826941	L.H.	10.50	BEZEL (stainless steel)
63	Corvette	3826942	R.H.	10.50	BEZEL (stainless steel)
64-65	Corvette	3850505	L.H.	10.50	BEZEL
64-65	Corvette	3850506	R.H.	10.50	BEZEL
66-67	Corvette (exc. side exh.)	3892225	L.H.	8.60	BEZEL
66-67	Corvette (exc. side exh.)	3892226	R.H.	8.60	BEZEL
68-69	Corvette	3922495	L.H.	11.90	BEZEL
68-69	Corvette	3922496	R.H.	11.90	BEZEL
70-73	Corvette	3966543	L.H.	11.90	BEZEL
70-73	Corvette	3966544	R.H.	11.90	BEZEL
68-69	Corvette	3919649	L.H.	2.40	FLANGE, bezel mtg.
68-69	Corvette	3919650	R.H.	2.40	FLANGE, bezel mtg.
70-73	Corvette	3966547	L.H.	2.51	FLANGE, bezel mtg.
70-73	Corvette	3966548	R.H.	2.51	FLANGE, bezel mtg.
75	Corvette	356918	1	9.75	SHIELD, rear extension c/over pipe

3.706 BRACKET— SUPPORT, Muffler Tail Pipe

53-69	Corvette	3996543	A.R.	1.53	w/insulator (used w/1 ⁷ / ₈ " clamp and 1 ³ / ₄ " x 5 ¹ / ₂ " insul.)
61-62	Corvette	3799657	L.H.	1.60	tail pipe front
61-62	Corvette	3799658	R.H.	1.70	tail pipe front
61-62	Corvette	3784461	2	.75	tail pipe rear
61-62	Corvette	3799586	R.H.	1.75	tail pipe clamp

3.708 CLAMP UNIT— CLAMP— "U" BOLT— LOCK, Muffler Exhaust Pipe and Tail Pipe



ENCLOSED

ALL	w/1 1/2"	3837878
ALL	w/1 3/4"	2378615
ALL	w/1 7/8"	3754882
ALL	w/2"	3754883
ALL	w/2 1/4"	1240745
ALL	w/2 1/2"	2414398
ALL	w/3"	2378617
ALL	w/3 1/2"	2378618
ALL	w/4"	2378620

63	Corvette	3633481	1		CLAMP, front exh. pipe
64-65	Corvette (P.G. w/H/Per.),				
64-65	Corvette (exc. H/Per., Sp. H/Per., F.I., 396),				
66-67	Corvette w/P.G. (327) (exc. side mounted exh.),				
69	Corvette (exc. T.H. 400, side mtd. exh.),				
70-75	Corvette (350) (exc. A.T. Sp. H/Per.)	3853723	1	1.86	CLAMP, front exhaust pipe
64-65	Corvette w/Sp. H/Per., F.I. (exc. side mounted exh.),				
64-65	Corvette w/H/Per. (exc. P.G., side mtd. exh.),				
66-68	Corvette (exc. A.T., side mounted exh.),				
70-75	Corvette w/Sp. H/Per. (350) (exc. A.T.),				
70-74	Corvette (454) (exc. A.T.)	3853725	1	2.03	CLAMP, front exhaust pipe
68	Corvette w/T.H.,				
70-74	Corvette w/A.T. (454),				
74-75	Corvette (A.T., w/Sp. H/Per.) (350)	3921601	1	2.71	CLAMP, front
69-72	Corvette w/A.T. (exc. side mounted exh., 454),				
73-75	Corvette w/A.T. (350) (exc. Sp. H/Per.)	3952739	1	3.89	CLAMP, front exh. pipe
74	Corvette (350)	3633128	2	1.08	CLAMP, exh. pipe frt.
74	Corvette	1240745	2	1.21	CLAMP, w/bolt-tail pipe
75	Corvette	356988	1		CLAMP, exh. pipe
53-55	Corvette (6 cyl.)				"U" BOLT, muffler to tail pipe,
57-61	Corvette w/F.I.,				
58-61	Corvette (dual 4BC w/H.L. Cam),				
62	Corvette w/H/Per., Sp. H/Per., F.I.	2378615	A.R.	.79	crossover balance pipe clamp
63-65	Corvette w/H/Per., Sp. H/Per., F.I. (exc. side mtd. exh., P.G.),				
66-67	Corvette (exc. P.G., side mounted exh.),				
68	Corvette,				
70-75	Corvette w/Sp. H/Per. (350),				
70-74	Corvette (454)	3949198	2	.90	"U" BOLT, front exh. pipe clamp (5/16" — 18)
69	Corvette (exc. side mtd. exh.),				

3.708 CLAMP UNIT— CLAMP— "U" BOLT— LOCK, Muffler Exhaust Pipe and Tail Pipe (Con't)

70-71	Corvette (350) (exc. A.T. Sp. H/Per.),				
72-75	Corvette (350) (exc. Sp. H/Per.)	3952741	A.R.	.31	"U" BOLT, front exh. pipe clamp muffler tail pipe
68	Corvette w/T.H.,				
69-75	Corvette w/A.T. (exc. side mtd. exh.)	3937866	1	.22	LOCK, front exh. pipe clamp
3.724 GASKET KIT, Carburetor					
62-65	Corvette w/H/Per. (327)	1186708	1	3.08	3820580-6004-7324-3857176-62-5581-6580 (Carter 323-A)
62-65	Corvette (327) (exc. H/Per., Sp. H/Per.)	3774518	1	2.79	w/3788245-8246-3826003-6005, 3846246, 6247 (Carter 348)
64-66	Corvette w/Sp. H/Per.		1		w/3849804-3868826,
66-68	Corvette w/Sp. H/Per. (427)	3896609	1	4.59	w/3885067-6101-3916143-5-3923289
66	Corvette	3896610	1	3.81	w/3882835-4505-3890499-2341
67	Corvette w/Holley 4BC	3914106	1	4.32	w/3906631-3-5-7 (Holley 85G-2731)
67-69	Corvette w/3/2BC	3930826	1	2.02	center (w/3902355-9872-3940929-30) (Holley 856-2912)
67-69	Corvette w/3/2BC	3930825	2	1.68	front and rear (w/3902353)(Holley 856-2911)
67-69	Corvette w/H.D. (427)	3901071	1	3.48	w/3886091-3925519
69	Corvette w/Roch. 4BC	7036585	1	5.10	
69	Corvette (Holley 4BC w/Sp. H/Per.) (350)	3960394	1	4.59	w/3959164
69	Corvette (Holley 4BC w/H.D.) (427)	3962884	1	3.75	w/3955205-3967481-9902
70	Corvette (Holley 4BC w/Sp. H/Per.) (350) (exc. E.E.C.)	3979472	1	3.98	w/3972121
70	Corvette (Holley 4BC w/Sp. H/Per.) w/E.E.C. (350)	3979636	1	3.92	w/3972123
70	Corvette w/Roch. 4BC	7036814	1	7.00	
71-72	Corvette w/Holley 4BC	3979667	1	4.76	
71-72	Corvette w/Roch. 4BC	7041872	1	5.95	
73	Corvette	7046779	1	5.95	GASKET UNIT
74	Corvette	17050525	1	5.95	GASKET UNIT
75	Corvette	17051913	1	6.45	GASKET UNIT

3.725 CARBURETORS— REPAIR KITS

NOTE. A.C. denotes Automatic Choke.

NOTE. All 1966 thru 1971 Rochester Carb. with 4BC are "Quadra-Jets".

ROCHESTER CARBURETORS

CORVETTE

68-69	(4BC w/H/Per.) (427)	7016925	1		unit
68	(w/Sp. H/Per.) (327),				
69	(4BC w/H/Per.) (350),				
68	w/T.H. (327) (exc. Sp. H/Per.),				
69	(4BC w/T.H. 400) (exc. H/Per. 427)	7046904	1	112.00	unit
68	(327) (exc. Sp. H/Per., T.H.),				
69	w/4BC (350) (exc. H/Per. A.T.)	7016923	1	112.00	unit
70	w/4BC (350) (exc. H/Per.)	7047008	1	112.00	unit
70	w/4BC (454)	7046906	1	112.00	unit
70	(4BC w/H/Per.) (350)	7046905	1	112.00	unit
71	(4BC w/H/Per.) (454)	7047116	1	112.00	
71	w/4BC (350)	7046984	1	112.00	
72	(454)	7047219	1	94.30	unit
72	(350)	7046589	1	112.00	unit
73	Corvette w/A.T. (454)	7047316	1	112.00	unit
73	Corvette (454) (exc. A.T.)	7047315	1	112.00	unit
73	Corvette (350) (exc. Sp. H/Per.)	7047303	1	112.00	unit
73	Corvette w/Sp. H/Per. (350)	7047328	1	112.00	unit
74	Corvette (A.T. w/Sp. H/Per.) (350)	17050590	1	112.00	unit
74	Corvette w/Sp. H/Per. (350) (exc. A.T.)	17050591	1	112.00	unit
74	Corvette (454) (exc. A.T.)	7047401	1	112.00	unit
74	Corvette w/A.T. (454) (exc. NB-2)	7047403	1	112.00	unit

3.725 CARBURETORS— REPAIR KITS (Con't)

74	Corvette w/A.T. (350) (exc. Sp. H/Per., NB-2)	17050578	1	112.00	unit
74	Corvette (A.T. w/NB-2) (350) (exc. Sp. H/Per.)	17050580	1	112.00	unit
74	Corvette w/NB-2 (350) (exc. A.T., Sp. H/Per.)	17050581	1	112.00	unit
74	Corvette (350) (exc. A.T., Sp. H/Per., NB-2)	17050579	1	112.00	unit
74	Corvette (A.T. w/NB-2) (454)	7047405	1	112.00	unit
75	Corvette (A.T. w/4BC) Sp. H/Per. (350)	17052564	1	155.30	unit
75	Corvette (4BC w/Sp. H/Per.) (350) (exc. A.T.)	17052563	1	155.30	unit
75	Corvette (A.T. w/4BC) (350) (exc. Sp. H/Per.)	17052580	1	155.30	unit
75	Corvette w/4BC (350) (exc. A.T., Sp. H/Per.)	17052579	1	155.30	unit

ROCHESTER MAJOR REPAIR KIT

NOTE. Repair Kits consist of necessary parts to overhaul one carburetor -including jets, nozzles, intake needle and seat, pump lever, etc.

CORVETTE

68	(4BC w/H/Per.) (427) (exc. T.H.)	7016839	1	18.60	w/7028209
68	(4BC w/T.H.) w/H/Per. (427)	7039126	1	9.45	w/7028216
68	(327) (exc. Sp. H/Per.)	7016851	1	18.30	w/7028207-08-19
69	(4BC w/T.H. 400) (350) (exc. H/Per.)	7036562	1	18.15	w/7029202
69	w/4BC (350) (exc. T.H. 400 H/Per.)	7036563	1	18.05	w/7029203
69	(4BC w/H/Per.) (350)	7036564	1	18.05	w/7029207
69	(4BC w/H/Per.) (427) (exc. T.H. 400)	7036571	1	18.55	w/7029215
69	(4BC w/H/Per.) w/T.H. 400 (427)	7036572	1	18.90	w/7029204
70	w/4BC (454) (exc. A.T.)	7036813	1	22.60	w/7040205-0505-7000
70	w/4BC (350)	7036843	1	21.95	w/7040202-3-7-0502-3-7-7006-10
70	(4BC w/A.T.) (454)	7036860	1	22.60	w/7040204-0504-7000
71	w/4BC (350)	7041667	1	17.25	w/7041212-13-7120
71	(4BC w/H/Per.) (454)	7041871	1	20.00	w/7041204-5-7042216-17-7047116
72	w/4BC (454)	7041881	1	19.30	w/7042202-03
72	w/4BC (350)	7046777	1	20.00	w/7043200
73	Corvette w/A.T. (454)	7046778	1	20.00	w/7043201
73	Corvette (454) (exc. A.T.)	7046828	1	20.00	w/7043202-03-12-13
73	Corvette (350)	17050544	1	20.00	w/17050580-1
74	Corvette (350) (exc. Sp. H/Per.)	17050545	1	20.00	w/17050590-1
74	Corvette w/Sp. H/Per. (350)	17050563	1	20.00	w/7047403-5
74	Corvette w/A.T. (454)	7047403	1	112.00	CARBURETOR
74	Corvette w/A.T. (454)	17050564	1	20.00	w/7047401
75	Corvette	17051931	1	20.00	

ROCHESTER MINOR REPAIR KIT

NOTE. Repair Kits (Minor) consist of pump, needle and seat unit, air horn gasket, thermostat housing cover gasket, clip and gauge.

CORVETTE

68	(396, 427)	7039126	1	9.45	(Viton) w/7028209-16
68	(327)	7039133	1	9.45	(Viton) w/7028207-08-19
69	w/4BC (350)	7039149	1	9.45	(Viton) w/7029202-03-07
69	(4BC w/H/Per.) (427)	7039150	1	9.45	(Viton) w/7029204-15
70	w/4BC (350)	7039174	1	9.45	w/7040202-3-7-0502-3-7-7006-10
70	w/4BC (454)	7039171	1	9.45	w/7040204-5-0504-05-7000
71	w/4BC (350)	7039202	1	9.45	w/7041212-13-7047120
71-72	w/4BC (454)	7039222	1	9.45	w/7041204-5-2216-17-7047116
72	w/4BC (350)	7039223	1	9.45	w/7042202-03
73	Corvette	7039259	1	9.45	w/7043200-01-02-03-12-13
74	Corvette	7039268	1	9.45	
75	Corvette	7039272	1	12.50	

CARTER CARBURETORS

CORVETTE

62-63 w/H/Per., Sp. H/Per. (327).

FUEL—EXHAUST—CARBURETION

3.725 CARBURETORS— REPAIR KITS (Con't)

64-65	w/H/Per. (327)	3851761	1	73.80	assy. (AFB 3720-S-3721-S)
62-65	(exc. H/Per., Sp. H/Per., F.I., 396)	3846247	1	82.45	assy. (WCFB 3697-S)

CARTER MAJOR REPAIR KIT

NOTE. Repair Kits consist of necessary parts to overhaul one carburetor-including jets, nozzles, intake needle and seat, pump, lever, etc.

CORVETTE

62-65	(327) (exc. H/Per., Sp./H/Per.) ..	3833363	1	12.55	w/3788245-8246-3826003-6005- 3846246-6247 (No. 5071-N)
--------------	------------------------------------	----------------	----------	--------------	---

CARTER MINOR REPAIR KIT

NOTE. Repair kit (minor) consists of pump, needle and seat unit, air horn gasket, thermostat housing cover gasket, clip and gauge.

CORVETTE

62-65	(327) (exc. H/Per., Sp./H/Per.) ..	7039576	1	9.55	w/3756677-6678-3779179-9180- 3788245-8246-3826003-6005-3846246- 6247 (No. 900-132)
61	w/dual 4BC (409),				
62-63	w/H/Per., Sp./H/Per. (327) (exc. P.G.),				
64-65	w/H/Per. (327) (exc. P.G.)	3857360	A.R.	9.80	w/carb. 3851761-3815403-5404-9207- 3826004-3856580 (No. 900-136-141) ...
64-65	(P.G. w/H/Per.) (327)	3857359	1	9.80	w/carb. 3851762 (No. 900-140)

HOLLEY CARBURETORS

CORVETTE

64-65	w/Sp./H/Per. (327)	3849804	1	119.80	assy. (R-2818A) (Model 4150C)
66	w/H/Per. (427) (exc. A.I.R.)	3882835	1	125.00	assy. (R-3370A)
66	(exc. 427 H/Per.)	3890499	1	125.00	assy. (R-3605A)
66	(327) (exc. A.I.R.)	3884505	1	106.80	assy. (R-3367A)
66	w/Sp./H/Per. (427)	3886101	1	109.62	assy. (R-3247A)
67-69	w/3/2BC	3902353	2	58.05	assy. secondary (frt. and rear) (R-3659)
67	w/3/2BC (exc. P.G.)	3902355	1	105.00	assy. primary (center) (R-3660)
67	(327) (exc. A.I.R.)	3906631	1	134.34	assy. (R-3810A)
67	w/4BC (427) (exc. A.I.R.)	3906633	1	140.00	assy. (R-3811A)
67	(A.I.R. w/4BC) (427)	3906637	1	131.05	assy. (R-3815A)
67	w/A.I.R. (327)	3906635	1	131.05	ass. (R-3814A)
68-69	(3/2BCw/T.H.) (427)	3940930	1	115.00	assy., primary (R-4056-1A)
68-69	w/3/2/BC (427) (exc. T.H.)	3940929	1	89.90	assy., primary (R-4055-1A)
69	w/H.D. (427) (2nd design)	3955205	1	231.00	assy., primary (R-296-A)
69	w/Sp./H/Per. (350)	3959164	1	140.95	assy., (R-4346)
70	(4BC w/Sp. H/Per.) (350) (exc. E.E.C.)	3972121	1	140.00	assy. (R-4555A)
70	(4BC w/Sp. H/Per.) w/E.E.C. (350)	3972123	1	145.00	assy. (R-4489A)
71	4BC w/Sp. H/Per. (454) (exc. A.T.)	3986195	1	140.00	(R-4803A)
71	(4BC w/Sp. H/Per.) (350)	3989021	1	140.00	(R-4801A)
71	(4BC w/Sp. H/Per.) w/A.T. (454)	3986196	1	140.00	(R-4802A)
72	(350)	3999263	1	140.00	(R-6239A)

HOLLEY MAJOR REPAIR KIT

NOTE. Repair kits consist of necessary parts to overhaul one carburetor— including jets, nozzles, intake needle and seat, pump, lever, etc.

CORVETTE

64-65	w/Sp./H/Per.	3905846	1	15.30	w/3849804 (No. 85R-1472)
66	w/H/Per. (327, 427) (exc. A.I.R.)				w/3882835-4505,
66	w/A.I.R.	3905848	1	14.80	w/3890499-2341
67-69	w/3/2BC	3914110	2	9.50	front and rear (w/3902353) (85-R-2735) ...
67-69	w/3/2BC	3914113	1	9.85	center (w/3902355-9872, 3940929-30) (85-R-2738)
67	w/4BC	3914108	1	14.40	w/3906631-6633-6635-6637 (85-R-2733) ..
67	w/H.D. (427) (1st design)				w/3886091 (R-3418-A),
68-69	w/H.D. (427)	3901072	1	16.45	w/3925519 (85-R-2664), 3955205 (R-4296 A)
69	w/Sp./H/Per. (350)	3960396	1	20.85	w/3959164
69	(4BC w/H.D.) (427)	3962886	1	19.00	w/3955205-3967481-87 (85R-3197)
70	(4BC w/Sp. H/Per.) (350) (exc. E.E.C.)	3979474	1	22.65	w/3972121 (85R-3467)

FUEL—EXHAUST—CARBURETION

3.725 CARBURETORS— REPAIR KITS (Con't)

70	(4BC w/Sp. H/Per.) w/E.E.C. (350)	3979638	1	21.60	w/3972123 (85R-3712)
71	w/4BC	3979669	1	22.50	w/3986195-96-9021 (85R-3806)
72	w/4BC	6273916	1	24.70	w/3999263 (Holley 85R-5035)

HOLLEY MINOR REPAIR KIT

NOTE. Repair kit (minor) consists of pump, needle, and seat unit, air horn gasket, thermostat housing cover gasket, clip and gauge.

CORVETTE

65-66	w/Sp./H/Per. (396, 427)	3887801	1		w/3868826-3886101
66	w/H/Per. (327, 427) (exc. A.I.R.)		1		w/3882835-4505,
66	w/A.I.R.	7039604	1	10.25	w/3890499-2341
67-69	w/3/2BC	3914112	1		center (w/3902355-9872-3940929-30 (85-R-2737) (Note 1)

NOTE 1 No minor repair kit released for front or rear carbs. (3902353). Use gasket unit 3914109 and needle unit 3889775 for minor repair kit application.

67	w/4BC	3914107	1		w/3906631-6633-6635-6637 (85-R-2732)
67-69	w/H.D. (427)	7039687	1	22.05	w/3886091-3925519-3955205-3967481-87 (85-R-2665)
64-66	w/Sp./H/Per. (396, 427)				w/3868826-3886101-3849804 (85-R-1474)
69	w/Sp./H/Per. (350)				w/3959164,
70	(4BC w/Sp. H/Per.) (350) (exc. E.E.C.)	7039594	1	12.00	w/3972121 (85R-3466)
70	(4BC w/E.E.C.) w/Sp. H/Per. (350)	3979637	1	16.95	w/3972123 (85R-3711)
71	w/4BC	3979668	1	17.70	w/3986195-96-9021 (85G-3804)
72	w/4BC	6273915	1	17.75	w/3999263 (Holley 85R-5034)

REPAIR KIT— FUEL INJECTION

NOTE. Kit consists of a filter, needle and seat assembly, 2 diaphragms, 2 screens, 4 "O" rings and 23 gaskets.

57-64	Corvette w/F.I.	7017297	1	39.95	w/all F.I. assys.
--------------	----------------------	----------------	----------	--------------	------------------------

3.726 GASKET— BAFFLE— INSULATOR, Carburetor to Manifold

55-57	Corvette w/4BC,				
58-61	Corvette w/dual 4BC	3739168	2	.27	
56-61	Corvette w/4BC (283)	3751050	1	.45	
62-65	Corvette (327) (exc. H/Per., Sp./H/Per., F.I.	3743282	1	.38	
62	Corvette w/Sp. H/Per.	3798352	1	.33	
62-65	Corvette w/H/Per. (327)	3829012	1	.27	
64-67	Corvette w/Sp. H/Per. (327)	3849825	1	.33	carburetor
65	Corvette w/Sp. H/Per. (396),				
66	Corvette w/Sp. H/Per. (427),				
67-69	Corvette w/H.D. (427),				
69	Corvette w/Sp. H/Per. (350),				
70	Corvette w/Sp. H/Per. (350) (exc. E.E.C.)	3881847	1		carburetor
67	Corvette (327) (exc. Sp. H/Per.)	3890495	1	.33	carburetor (Holley and Carter)
68	Corvette w/4BC (exc. H.D., H/Per.)	3884574	1	.36	carburetor (Roch.)
67-69	Corvette w/3/2BC	3921922	3	.27	carb.
70	Corvette (exc. E.E.C., Sp. H/Per.)	3967470	1	.33	carb.
70-71	Corvette w/E.E.C. (exc. Sp. H/Per.)	3972192	1	.46	carb.
75	Corvette	354308	1		flange
62-65	Corvette w/H/Per. (327)	3799354	1	.98	BAFFLE , heat radiation
66	Corvette (exc. Sp. H/Per.),				
67	Corvette (327) (exc. Sp. H/Per.)	3884575	1	1.16	BAFFLE , heat radiation (Holley or Carter) ..
69	Corvette w/Sp. H/Per. (427)	3884576	1	1.16	BAFFLE , heat radiation (Roch.)
62-65	Corvette w/H/Per. (327)	3828231	1	2.70	INSULATOR (w/1— 1/4" x 3/8" ext. tab)
70	Corvette w/E.E.C. (exc. Sp. H/Per.)	3967466	A.R.	.16	INSULATOR , carb. bolt
72	Corvette w/Sp. H/Per. (350)	3999259	1	3.20	INSULATOR , carb. heat
72-73	Corvette (350) (exc. Sp. H/Per.)	3998912	1	1.75	INSULATOR , carb. heat
70-71	Corvette (E.E.C. w/Sp. H/Per.) (350)	3999198	1	3.20	INSULATION ASSY. , carb. heat
70	Corvette (4BC w/E.E.C.) (exc. Sp. H/Per.)	3969837	1	3.05	INSULATION ASSY. , carb. heat
74	Corvette	342705	1	1.75	INSULATOR ASSY. , carb. heat
75	Corvette	354310	1	1.72	INSULATOR ASSY. , carb. heat

3.729 BODY ASSY.— BUSHING, Carburetor

64-65	Corvette w/Sp./H/Per. (327) . . .	3867985	1	31.45	throttle (Holley No. 12R-3037A) (w/3849804)
66	Corvette w/H/Per. (427) (exc. A.I.R.)	3889765	1	32.70	throttle (w/3882835)
66	Corvette w/Sp./H/Per. (427)	3889766	1	32.70	throttle (w/3885067-6101)
66	Corvette (327) (exc. A.I.R.)	3889767	1	32.70	throttle (w/3884505)
67-69	Corvette w/3/2BC	3907102	1	20.10	throttle (front and rear) (w/3902353)
67	Corvette w/3/2BC (exc. P.G.)	3907103	1	32.70	throttle (center) (w/3902355)
68	Corvette w/Roch. 4BC (327) (exc. Sp. H/Per., A.T.)	7036406	1	39.45	throttle (w/7028207-13)
68	Corvette (Rock. 4BC w/A.T.) (327) (exc. Sp. H/Per.)	7036407	1	39.45	throttle (w/7028208-12)
68-69	Corvette (Holley 4BC w/H.D.) (427)	3933837	1	44.15	throttle (w/3925519, 3955205)
68-69	Corvette (3/2BC w/T.H.) w/H/Per. (427)	3933836	1	32.70	throttle (w/3925516-3940930)
68-69	Corvette w/3/2BC (427) (exc. T.H.)	3933835	1	32.70	throttle (w/3925317-3940929)
69	Corvette (Roch. 4BC w/T.H. 400) (exc. H/Per. 427)	7036559	1	44.15	throttle (w/7029202)
69	Corvette w/Roch. 4BC (350) (exc. H/Per., A.T.)	7036773	1	44.15	throttle (w/7029203)
69	Corvette (Roch. 4BC w/H/Per.) (350)	7036561	1	44.15	throttle (w/7029207)
69	Corvette (Roch. 4BC w/H/Per.) (427) (exc. T.H. 400)	7036569	1	44.15	w/7029215
69	Corvette (Holley 4BC w/H.D.) (427)	3960280	1	97.20	throttle (w/3955205)
70	Corvette (Holley 4BC w/Sp. H/Per.) w/E.E.C. (350)	3979497	1	35.55	throttle (w/3972123)
70	Corvette (Holley 4BC w/Sp. H/Per.) (350) (exc. E.E.C.)	3979534	1	32.70	throttle (w/3972121)
70	Corvette w/Roch. 4BC (454) (exc. A.T.)	7036812	1	44.15	throttle (w/7040205-0505)
70	Corvette (Roch. 4BC w/H/Per.) (350)	7036842	1	44.15	throttle (w/7040207-0507)
70	Corvette (Roch. 4BC w/A.T.) (454)	7041303	1	44.15	throttle (w/7040204-0504)
70	Corvette w/Roch. 4BC (350) (exc. H/Per.)	7036841	1	44.15	throttle (w/7040202-3-13-0502-3-13)
71	Corvette (Holley 4BC w/Sp. H/Per.) (350, 454) (exc. A.T.)	3979694	1	32.70	throttle (w/3989021-3986195) (Holley 12R-4922A)
71	Corvette (Holley 4BC w/Sp. H/Per.) w/A.T. (454)	3979655	1	32.70	throttle w/3986196 (Holley 12R-4882A)
71	Corvette (Roch. 4BC w/H/Per.) (454)	7041659	1		throttle w/7041204-5
71	Corvette w/Roch. 4BC (350) (exc. Sp. H/Per.)	7041673	1	45.45	throttle w/7041212
72	Corvette w/Holley 4BC	6273905	1	35.30	throttle (w/3997788) (Holley 12R-5 119-A)
72	Corvette w/Roch. 4BC (454)	7041870	1	45.45	w/7042216-17
72	Corvette w/Roch. 4BC (350)	7041878	1	45.45	w/7042202-03
73*	Corvette w/A.T. (350) (exc. Sp. H/Per.)	7046875	1	45.45	
73*	Corvette (350) (exc. A.T., Sp. H/Per.)	7046827	1	45.45	
73*	Corvette w/Sp. H/Per. (350)	7046847	1	45.45	
73*	Corvette (454)	7046774	1	45.45	
74	Corvette w/A.T. (454)	17050558	1	45.45	throttle (w/7047403-05)
74	Corvette (454) (exc. A.T.)	17050559	1	45.45	throttle (w/7047401)
74	Corvette w/A.T. (350) (exc. Sp. H/Per.)	17050572	1	45.45	throttle (w/17050580)
74	Corvette (350) (exc. A.T., Sp. H/Per.)	17050573	1	45.45	throttle (w/17050581)
74	Corvette (A.T. w/Sp. H/Per.) (350)	17050586	1	45.45	throttle (w/17050590)
74	Corvette w/Sp. H/Per. (350) (exc. A.T.)	17050587	1	45.45	throttle (w/17050591)
75	Corvette w/Sp. H/Per.	17052629	1	46.55	throttle (w/7045210-11)
75	Corvette (exc. Sp. H/Per.)	17052239	1	45.45	throttle (w/704522-23)
67-69	Corvette w/3/2BC	3907104	1	.21	BUSHING, throttle connecting pin (center) (w/3902355-9872-3925516-17-3940929- 30)

FUEL—EXHAUST—CARBURETION

3.730 HORN ASSY.— SCREW, Carburetor Air

68	Corvette (4BC w/H/Per.) (427) . . .	7034897	1	33.60	w/7028209-11-16	
69	Corvette w/Roch. 4BC (350) . . .	7037347	1	40.95	w/7029202-03	
70	Corvette (Roch. 4BC w/H/Per.) (350)	7038705	1	40.95	w/7040207-0507	
70	Corvette w/Roch. 4BC (350) (exc. H/Per.)	7038704	1	40.95	w/7040202-3-13-0502-3-13	
70	Corvette w/Roch. 4BC (454) . . .	7038702	1	40.95	w/7040204-5-0504-5-7000	
71	Corvette (Roch. 4BC w/H/Per.) (454)	7042745	1	40.95	w/7041204-5	
71	Corvette w/Roch. 4BC (350) (exc. Sp. H/Per.)	7042746	1	40.95	w/7041212-13	
72	Corvette w/Roch. 4BC (454) . . .	7044883	1	40.95	w/7042216-17	
72-73	Corvette w/Roch. 4BC (350), 74	Corvette w/Sp. H/Per. (350) . . .	7044884	1	40.95	w/7042202-03
73*	Corvette	7047316	1	112.00	carb. air	
74	Corvette (454)	7048880	1	40.95	carb. air	
74	Corvette (350) (exc. Sp. H/Per.) . . .	7048938	1	40.95	carb. air	
75	Corvette (350)	17053202	1	41.20	carb. air	
75	Corvette	17052228	1	41.20	carb. air	
56-65	Corvette w/P.G. (327)	1346866	A.R.	.16	SCREW, w/washer, air horn (w/3846246- 47-3826003-05-3788245-46	
63	Corvette w/F.I.	7004079	1		SCREW, fuel meter gear pump	
64-66	Corvette w/Sp. H/Per. (327, 396),	2367996	A.R.	.05	SCREW, float to air horn	
67-72	Corvette w/Holley Carb.	7029912	A.R.	.41	SCREW, to air horn (10-32 x 3)	
68-75	Corvette w/Roch. 4BC	7031105	2	.16	SCREW, to air horn (8-32 x 1/2")	
68-75	Corvette w/Roch. 4BC	7014349	2		SCREW	
	Not Required in this group. See groups 3.314, 3.322					

3.733 BRACKET, Carburetor Choke Tube

69	Corvette w/Roch. 4BC	7037501	1	6.55	choke control
----	--------------------------------	---------	---	------	-------------------------

3.734 BOWL— BODY ASSY.— CAP— INSERT— PLATE— SEAL, Carburetor Float

64-65	Corvette w/Sp. H/Per. (327) . . .	3867989	1	4.95	primary (Holley No. 34R-2538A) w/3849804
64-65	Corvette w/Sp./H/Per. (327) . . .	3966914	1	8.75	secondary (Holley No. 34R-2541A) (w/3849804)
65	Corvette (396)				primary (Holley No. 34R-4460A) (w/3868826-9933),
68-69	Corvette w/H.D. (427)				w/3916143-5-3923289-3955205,
70	Corvette (Holley 4BC w/Sp. H/Per.) (350) (exc. E.E.C.),				
71-72	Corvette w/Holley 4BC	3898992	1	17.90	primary w/3972121-3989021-6195-96, 3999263
66	Corvette	3966915	1	8.75	secondary, w/3882835-3890499-2341
66	Corvette (exc. A.I.R.)	3966916	1	10.80	primary, w/3882835-4505-3890499-2341
65	Corvette w/Sp./H/Per. (396) . . .				(w/3869933-8826),
66	Corvette w/Sp./H/Per. (427) . . .				secondary (w/3885067-6101) (Holley 34R- 4652),
68-69	Corvette w/H.D. (427)				secondary (w/3916143-5-3923289-5519- 3955205),
70	Corvette (Holley 4BC w/Sp. H/Per.) (350) (exc. E.E.C.),				
71-72	Corvette w/Holley 4BC	3889781	1	8.50	secondary w/3972121-3989021-6195-96, 3999263
66	Corvette w/Sp./H/Per. (427) . . .				primary (w/3885067-6101) (Holley 34R- 4703),
69	Corvette (Holley 4BC w/H.D.) (427)	3889784	1	10.65	w/3955205-3967481
67-69	Corvette w/3/2BC	3948972	1	10.80	front and rear (w/3902353)
67-69	Corvette w/3/2BC	3907107	1	15.20	center (w/3902355-9872-3925516-17)
67	Corvette w/Holley 4BC	3966917	1	12.75	primary (w/3906631-3-5-7)
67	Corvette w/Holley 4BC	3966913	1	8.75	secondary (w/3906631-3-5-7)
68	Pass., Corvette (327) (exc. A.T.) . . .	7036319	1	40.95	w/7028207-13-19
68-69	Corvette w/3/2BC	3947085	1	16.35	w/3940929-30
68	Corvette (4BC w/H/Per.) (427) . . .	7036309	1	40.95	w/7028209-11-16
68	Corvette w/A.T. (327)	7036318	1	40.95	w/7028208-12
69	Corvette (Roch. 4BC w/H/Per.) (427) (exc. T.H. 400)	7036567	1	41.90	w/7029215
69	Corvette (Roch. 4BC w/T.H. 400) (exc. H/Per. 427)	7036557	1	41.90	w/7029202
69	Corvette w/Roch. 4BC (350) (exc. A.T., H/Per.)	7036558	1	41.90	w/7029203

3.734 BOWL— BODY ASSY.— CAP— INSERT— PLATE— SEAL, Carburetor Float (Con't)

69	Corvette (Roch. 4BC w/H/Per.) (350)	7036616	1	41.90	w/7029207
69	Corvette (Roch. 4BC w/T.H. 400) w/H/Per. (427)	7036643	1	41.90	w/7029204
69	Corvette (Holley 4BC w/Sp. H/Per.) (350)	3960393	1	9.20	w/3959164
70	Corvette w/Roch. 4BC (454)	7036811	1	41.90	w/7040204-5-0504-5
70	Corvette w/Roch. 4BC (350) (exc. H/Per.)	7036839	1	41.90	w/7040202-3-13-0502-3-13
70	Corvette (Roch. 4BC w/H/Per.) (350)	7036840	1	41.90	w/7040207-0507
70	Corvette (Holley 4BC w/E.E.C.) w/Sp. H/Per. (350)	3979502	1	16.60	primary (w/3972123)
70	Corvette (Holley 4BC w/Sp. H/Per.) w/E.E.C. (350)	3979540	1	10.65	(secondary) (w/3972123)
71	Corvette w/Roch. 4BC (454)	7041658	1	44.00	carb. float w/7041204-5
71	Corvette w/Roch. 4BC (350) (exc. Sp. H/Per.)	7041664	1	44.00	carb. float w/7041212-13
72	Corvette w/Roch. 4BC (350)	7041876	1	44.00	carb. float (w/7042202-03)
72	Corvette w/Roch. 4BC (454)	7041882	1	44.00	carb. float (w/7042216-17)
73*	Corvette (350) (exc. Sp. H/Per.)	7046826	1	44.00	carb. float
73*	Corvette w/Sp. H/Per. (350)	7046846	1	44.00	carb. float
73*	Corvette w/A.T. (454)	7046772	1	44.00	carb. float
73*	Corvette (454) (exc. A.T.)	7046773	1	44.00	carb. float
74	Corvette w/A.T. (454) (exc. NB-2)	17050521	1	44.00	carb. float
74	Corvette (350) (exc. A.T., Sp. H/Per.)	17050542	1	44.00	carb. float
74	Corvette w/A.T. (350) (exc. Sp. H/Per.)	17050566	1	44.00	carb. float
74	Corvette (A.T. w/Sp. H/Per.) (350)	17050582	1	44.00	carb. float
74	Corvette w/Sp. H/Per. (350) (exc. A.T.)	17050583	1	44.00	carb. float
74	Corvette (454) (exc. A.T.)				
74	Corvette (A.T. w/NB-2) (454)	17050539	1	44.00	carb. float
75	Corvette	17052630	1	59.35	carb. float
64-65	Corvette w/Sp./H/Per. (327)	3852472	1	11.50	BODY ASSY., w/plugs, carb. main metering primary (w/3849804) (Note 1)
64-65	Corvette w/Sp./H/Per. (327)	3852473	1	7.95	BODY ASSY., w/plugs, carb. main metering secondary (w/3849804) (Note 1)
65	Corvette (396),				
70	Corvette (Holley 4BC w/Sp. H/Per.) (350) (exc. E.E.C.),				
71-72	Corvette w/Holley 4BC	3877171	1	9.40	BODY ASSY., w/plugs, carb. main metering secondary (Holley 34R-4519A) (w/3868826-9933-3885067-6101-3916143-5-3923289-3972121-3989021-6195-96-3999263) (Note 1)
66-67	Corvette (327) (exc. A.I.R.)	3889786	1	14.45	BODY ASSY., w/plugs, primary (w/3884505-3906631) (Holley 34R-4743A) (Note 1)
66	Corvette w/H/Per. (427) (exc. A.I.R.)				BODY ASSY., w/plugs, main metering primary (w/3882835),
67	Corvette w/4BC (427) (exc. A.I.R.)	3896621	1	15.20	w/3906633 (Note 1)
66	Corvette w/A.I.R. (427) (exc. Sp. H/Per.)	3896622	1	15.20	BODY ASSY., w/plugs, main metering primary (w/3892341) (Note 1)
67-69	Corvette w/3/2BC	3910318	1	3.08	BODY ASSY., main metering (front and rear) (w/3902353) (Note 1)
67-69	Corvette w/3/2BC (exc. T.H.)	3907108	1	8.75	BODY ASSY., w/plugs, main metering (center) (w/3902355-3940929) (Note 1)
67	Corvette (P.G. w/3/2BC),				
68-69	Corvette (3/2BC w/T.H.) w/H/Per. (427)	3916056	1	8.55	BODY ASSY., w/plugs, main metering w/3909872-3925516-3940930) (Note 1)
68-69	Corvette (Holley 4BC w/H.D.) (427)	3933838	1	17.50	BODY ASSY., w/plugs, carb. main metering primary (w/3925519-3955205) (Note 1)
69	Corvette (Holley 4BC w/H.D.) (427)	3960399	1	12.25	BODY ASSY., w/plugs carb. main metering (primary) (w/3955205-3967481)

FUEL—EXHAUST—CARBURETION

3.734 BOWL— BODY ASSY.— CAP— INSERT— PLATE— SEAL, Carburetor Float (Con't)

69	Corvette (Holley 4BC w/H.D.) (427)	3962880	1	12.25	BODY ASSY., w/plugs carb. main metering (secondary) (w/3955205-3967481)
70	Corvette (Holley 4BC w/Sp. H/Per.) w/E.E.C. (350)	3979506	1	16.60	BODY ASSY., w/plugs (secondary) (w/3972123)
70	Corvette (Holley 4BC w/Sp. H/Per.) (350) (exc. E.E.C.)	3934274	1	12.20	BODY ASSY., w/plugs (primary) (w/3972121)
70	Corvette (Holley 4BC w/Sp. H/Per.) w/E.E.C. (350),				
71	Corvette w/Holley 4BC	3979564	1	12.25	BODY ASSY., w/plugs (w/3972123-3989021-6195-96) (Holley 34R-6335A) ..
72	Corvette w/Holley 4BC	6273957	1	12.25	BODY ASSY., w/plugs (w/3999263) (Holley 34R-6828-A)
70-71	Corvette (350) (exc. H/Per., Sp. H/Per.),				
73-74	Corvette (454),				
73-74	Corvette (350) (exc. Sp. H/Per., NB-2)	3928101	1	.16	CAP, diverter valve vac. source tube
68	Corvette w/Roch. 4BC	7034361	1	1.70	INSERT, bowl
70-74	Corvette w/Roch. 4BC	7037319	1	1.70	INSERT, bowl
75	Corvette	7041471	1	1.70	INSERT, bowl
66	Corvette (exc. Sp/H/Per.),				
67	Corvette w/Holley 4BC (exc. H.D. 427)				PLATE, sec'd. mtr. body (Holley 34R-1993), front and rear (w/3902353)
67-69	Corvette w/3/2BC	3881423	A.R.	.21	

NOTE 1 All BODY ASSY. for Holley Carbs are fuel metering bodies located between the fuel bowl and the air horn.

3.737 SCREW, Fuel Meter Float Bowl

66	Corvette (exc. Sp. H/Per.),				
67	Corvette w/Holley 4BC (exc. H.D. 427)				SCREW, carb. bowl to air horn,
67-69	Corvette w/3/2BC	3881412	4	.16	front and rear (w/3902353-3967485)

3.738 GASKET, Carburetor Float Bowl to Cover (or Air Horn)

57-65	Corvette w/F.I.	7014909	1	.33	
62-65	Corvette w/H/Per. (327),				
62-64	Corvette w/Sp. H/Per.	1179331	A.R.	1.18	(Carter 121-292) (w/3760264-4593-3772600-3795566-3797698-7699-3815403-5404-9207-3820580-6004-96-3851761-62-5581-6580)
75	Corvette	7042998	A.R.	.91	

3.740 BAFFLE— FILTER— FITTING— GASKET— NUT— PIPE— RING— SCREEN— SCREW— SPACER— SPRING— STRAINER— TUBE, Carburetor and Fuel Meter Fuel Inlet

64-66	Corvette w/Sp. H/Per.				carburetor fuel bowl (primary) (Holley No. 59R-34) (w/3849804, 3868864-3874898-5964-6749-3882835-4505-3890499-2341),
67	Corvette w/Holley 4BC	3912152	1	.21	BAFFLE, carb. fuel bowl (primary) (w/3906631-3-5-7)
64-66	Corvette w/Sp. H/Per.				carb. fuel bowl (secondary) (Holley No. 59R-35) (w/3849804, 3868864-3874898-5964-6749-3882835-4505-3890499-2341),
67	Corvette w/Holley 4BC	3912154	1	.21	BAFFLE, carb. fuel bowl (secondary) (w/3906631-3-5-7)
68-69	Corvette w/H/Per. (427)				BAFFLE, carb. float bowl, w/7028209-16-7029204-15.
70-75	Corvette w/Roch. 4BC	7031365	1	.56	
68	Corvette (327)				BAFFLE, carb. float bowl, w/7028212-13-19,
69	Corvette w/Roch. 4BC (350) ...	7032324	1	1.80	w/7029202-03-07-23
66	Corvette,				
67-72	Corvette w/Holley Carb.	7013404	1	1.10	FILTER, carb. fuel inlet
70-71	Corvette w/Roch. 4BC,				
73-74	Corvette	5651393	1	1.07	FILTER, carb. fuel filter inlet
75	Corvette	5650906	1	1.09	FILTER, carb. fuel inlet
64-65	Corvette w/Sp. H/Per. (327) ...	3852469	1	1.79	FITTING, carb. fuel inlet (Holley 19R-280) ..
65	Corvette (396)				FITTING, carb. fuel inlet,
66	Corvette w/Sp. H/Per. (427) ...				(w/3884505-6091-6101-3890499),

FUEL—EXHAUST—CARBURETION

3.740 Baffle—Filter—Fitting—Gasket—Nut—Pipe—Ring—Screen—Screw—Spacer—Spring—Strainer—Tube, Carburetor and Fuel Meter Fuel Inlet (Con't)

67	Corvette (327)				w/3906631-5,
68-69	Corvette w/H.D. (427)				w/3925519-3955205,
70-72	Corvette (Holley 4BC w/Sp. H/Per.) (350)	3889776	2	1.40	w/3967487-3972121-23-3989021-3999263
66	Corvette w/H/Per. (427)				FITTING , carb. fuel inlet, w/3882835-3892341,
67	Corvette w/Holley 4BC (427) ...				w/3906633-7,
67-68	Corvette w/3/2BC	3890124	1	1.65	(w/3902353-5-9872-3925516-17)
69	Corvette w/Holley 3/2BC,				
71	Corvette w/Sp. H/Per. (454) ...	3960299	A.R.	3.30	FITTING , carb. fuel inlet
62-65	Corvette w/H/Per. (327),				
62-63	Corvette w/Sp. H/Per.	7011146	A.R.	1.12	FITTING UNIT , gasket (Carter 15-52S) (w/3760264-4593-3773800-3795566-7699-3815403-04-9207-3820580-6004-06-7324-3851761-62-5581-6580)
53-55	Corvette (6 cyl.),				
55-56	Corvette w/4BC				GASKET , strainer nut,
59-66	Corvette w/Carter 4BC	7013584	1	.15	GASKET , fuel inlet filter (Carter 121-319) ..
71	Corvette w/Roch. 4BC	7032508	A.R.	.29	GASKET , gas pipe connector carb. end (7/8" I.D.—1 1/16" O.D. x 1/32" thk.)
72-75	Corvette w/Roch. 4BC	7024281	1	.15	GASKET , gas pipe conn., carb. end
68-71	Corvette w/Roch. 4BC	7040955	1	2.05	NUT , carb. fuel filter
72-74	Corvette w/Roch. 4BC	7045605	1	2.05	NUT , filter, carb. fuel inlet
75	Corvette	7048873	1	2.65	NUT , fuel inlet filter
64-65	Corvette w/Sp. H/Per. (327) ...	2367995	1	.75	PIPE , fuel primary to secondary float bowl (w/3849804) (Holley 14R-320)
66-67	Corvette				RING , retaining (Holley 36R-284) w/3882835-4505-3886091-6101-3890499-2341-3902355-6631-3-5-7-9872,
68	Corvette (427)				w/3923289-5516-17-19,
69-70	Corvette w/Holley 3/2BC, 4BC ..	3881433	1	.11	
64-65	Corvette w/Sp. H/Per.	3852482	1	.52	SCREEN , fuel filter (Holley 57R-35)
57-61	Corvette w/F.I.	7010434	1	.17	SCREW , inlet cup (Note 1)
71-72	Corvette w/Holley 4BC	3979504	1	2.08	SPACER , carb. meter body (w/3967487) ...
71-72	Corvette w/Holley 4BC	3979503	1	2.08	SPACER , carb. fuel bowl (w/3967487)
59-66	Corvette w/Carter 4BC	3759765	1	.28	SPRING , strainer (Carter 61-6 No. 6)
66-72	Corvette w/4BC	7034356	2	.37	SPRING , carb. fuel filter
72-75	Corvette w/Roch. 4BC	7030588	1	.20	SPRING , carb. fuel filter
59-66	Corvette w/Carter 4BC	3759764	1	1.41	STRAINER (Carter 30-87)

NOTE 1 Used with Sand Cast F.I. Assy.

NOTE 2 Used with Die Cast F.I. Assy.

3.741 BOLT—SCREW, Carburetor Body

53-55	Corvette (6 cyl.),				
55-61	Corvette w/4BC, dual 4BC,				
62-65	Corvette (327) (exc. H/Per., Sp. H/Per.),				
55-63	Corvette w/4BC, dual 4BC,				
64	Corvette (327) (exc. H/Per., Sp. H/Per., F.I.)	1346866	A.R.	.16	w/washer, throttle body to airhorn (Carter 101-307S)—(3.730)
70	Corvette	3967476	2	.20	carb. frt. (5/16"—18 x 3 5/8")
64-65	Corvette w/Sp. H/Per. (327, 396),				
66	Corvette				SCREW , w/lockwasher (body to air horn) (Holley 5R567) (w/3868826-8864-9933-3874898-58-5904-6747-3882835-5067-6101-3890499-2341-3986195-3989021, 3999263)
67-72	Corvette w/Holley Carb.	2368004	1	.83	
68	Corvette w/Roch. 4BC	7029891	2	.16	SCREW , throttle (w/7028207-08-10-11-12-13-16-19)
69-75	Corvette w/Roch. 4BC	7035790	3	.16	SCREW , throttle body

3.745 FLOAT—SHAFT, Carburetor and Fuel Meter

56-61	Corvette w/dual 4BC,				w/lever, secondary,
57-61	Corvette w/Carter 4BC				w/lever, primary and secondary (Carter 21-197S)
62-65	Corvette w/Carter 4BC	3759758	A.R.	5.96	
62-65	Corvette w/H/Per. (327),				

FUEL—EXHAUST—CARBURETION

3.745 FLOAT— SHAFT, Carburetor and Fuel Meter (Con't)

62-63	Corvette w/Sp. H/Per.	7011148 A.R.	3.79	w/lever (Carter 21-179S) (w/3760264-4593-37726600-3795566-7699-3815403-04-9207-3820580-6004-06-7324-3851761-62-5581-6580)
64-65	Corvette w/Sp. H/Per. (327) ...			FLOAT ASSY. , primary (w/3849804),
64-66	Corvette w/Sp. H/Per. (327) ...			secondary (w/3849804),
67	Corvette (327)			w/3906631-35,
67	Corvette w/H/Per. (427) (exc. A.I.R.)	3916048	1	1.50
58-65	Corvette w/F.I.	7014914	1	1.80 FLOAT ASSY. (w/7014900-7200-7250-7300-7310-7320-7355-7360-75-80) (Note 2)
<i>NOTE 2 Used with Die Cast F.I. Assy.</i>				
65	Corvette (396),			
66	Corvette w/Sp. H/Per. (427) ...			FLOAT ASSY. (Holley 16R-420A) (w/3868826-3869933-3886101-3999263)
67-69	Corvette w/3/2BC,			
67-69	Corvette w/H.D. (427),			
70-72	Corvette w/Holley 4BC	3877164	2	1.57 FLOAT ASSY. , w/3882835-4505-3890499-2341,
66	Corvette			w/3906637
67	Corvette (A.I.R. w/4BC) (427) ..	3905843	2	1.45 FLOAT ASSY. , front and rear (w/3902353)
67-69	Corvette w/3/2BC	3907105	2	2.46 FLOAT ASSY. , w/7028209-16
68	Corvette w/H/Per. (427)	7033752	1	3.70 FLOAT ASSY. , w/7028207-08-12-13-19 ..
68	Corvette (327)	7034454	1	3.70 FLOAT ASSY.
69-74	Corvette w/Roch. 4BC	7037316	1	2.85 FLOAT ASSY.
75	Corvette	7041468	1	3.70 FLOAT ASSY.
66	Corvette w/Sp. H/Per. (427),			
67-69	Corvette w/3/2BC,			
67	Corvette w/H.D. (427),			
70-72	Corvette w/Holley 4BC	3881417	2	.14 SHAFT (Holley 17R-41)

3.747 PIN— PLUG— SPRING, Carburetor and Fuel Meter Float Lever

57-65	Corvette w/F.I.	7010037	1	.11 hinge
69-74	Corvette w/Roch. 4BC	7037317	1	.45 hinge
75	Corvette	7041469	1	.45 hinge
64-65	Corvette w/Sp. H/Per. (327, 396),			
66	Corvette w/Sp. H/Per. (427),			
67-69	Corvette w/H.D. (427),			
67-69	Corvette w/3/2BC,			
70-72	Corvette w/Holley 4BC	3852466	2	.21 PLUG , fuel level check (Holley 7R-225)
67-69	Corvette w/3/2BC	3912155	1	.28 PLUG , tee connector (center) (w/3902355-9872-3925516-17-3940929-30)
64-65	Corvette w/Sp. H/Per. (327, 396),			
66	Corvette,			
67	Corvette w/Holley 4BC	3867993 A.R.	.21	SPRING , float (w/3849804-3868864-3874898-3882835-4505-6091-3890499-2341)
65	Corvette (396),			
66	Corvette w/Sp. H/Per. (427) ...			SPRING , float (w/3868826-3886101-6091-3999263)
67-69	Corvette w/H.D. (427),			
67-69	Corvette w/3/2BC,			
70-72	Corvette w/Holley 4BC	3877173	2	.21

3.750 THERMOSTAT ASSY.— BRACKET— COVER— GASKET— HOSE— HOUSING— PACKING— PIPE ASSY.— PLATE— PLUG— RETAINER— SCREW— WASHER, Automatic Choke Control

65-66	Corvette (396, 427) (exc. Sp. H/Per.),			
66	Corvette w/Sp. H/Per. (327),			
67	Corvette,			
68-69	Corvette (427),			
69-70	Corvette w/Sp. H/Per. (350) ...	3887148	1	2.81
68	Corvette (327)	3927190	1	2.92 auto. choke
70	Corvette (350) (exc. Sp. H/Per.) .	3973497	1	2.44 auto. choke
70	Corvette w/4BC (454) (exc. H.D.)	3969825	1	3.11 auto. choke
71	Corvette (350) (exc. Sp. H/Per.) .	3989060	1	2.98 auto. choke
71-72	Corvette w/Sp. H/Per. (350) ...	3989061	1	3.28 auto. choke
71	Corvette w/H/Per. (454)	3992082	1	2.98 auto. choke
72*	Corvette (454)	6272732	1	3.11 auto. choke
73-74	Corvette (350)	326079	1	6.95 auto. choke

FUEL—EXHAUST—CARBURETION

3.750 THERMOSTAT ASSY.— BRACKET— COVER— GASKET— HOSE— HOUSING— PACKING— PIPE ASSY.— PLATE— PLUG— RETAINER— SCREW— WASHER, Automatic Choke Control (Con't)

73-74	Corvette (454)	6272736	1	3.11	auto. choke
69	Corvette w/Roch. 4BC	7037501	1	6.55	BRACKET, choke control
62-65	Corvette w/H/Per., (327)	3759946	1	14.20	COVER, w/coil (Carter 170-AR-588S)
62-65	Corvette (exc. P.G., H/Per., Sp. H/Per.)	3816379	1	7.77	COVER, w/coil (Carter 170-AD-588S) (w/3846247)
64	Corvette w/Sp. H/Per.	3852481	1	3.48	COVER, w/coil (Holley 47R-116A)
65	Corvette w/Sp. H/Per. (396)	3886265	1	3.51	COVER, w/coil (w/3868826-3869933)
68	Corvette (427),				
69	Corvette w/H/Per., Sp. H/Per. (427)	3946095	1	.65	COVER, auto. choke thermostat
70	Corvette (454),				
71-74	Corvette	3998944	1	.67	COVER, auto. choke
66-67	Corvette (8 cyl.) (exc. 283),				
67	Corvette (327, 427),				
69-70	Corvette (350)	3864866	1	.61	COVER ASSY., auto. choke therm.
75	Corvette	17051918	1	6.05	COVER ASSY., auto. choke
55-65	Corvette w/4BC, dual 4BC	7000610	1	.16	GASKET, coil hsg. (Carter 121-78)
59-65	Corvette w/Carter 4BC, H/Per.	3754581	1	.56	GASKET, delayer plate (Carter 121-196)
59-65	Corvette w/Carter 4BC, H/Per. (327)	1423131	2	.33	GASKET, choke hsg. (Carter 20-43) (w/3846246-3851761-2-5581)
63-65	Corvette w/F.I.	7002760	1	.11	GASKET, thermostat housing cover (Note 2)
75	Corvette	17050961	1		GASKET, therm. cover
59-65	Corvette w/Carter 4BC	3759936	1	5.45	HOUSING (Carter 170-585S) (w/3846246-7)
63-65	Corvette w/H/Per., (327),				
62-63	Corvette w/Sp. H/Per. (327)	3830752	1	6.70	HOUSING (w/3826004-06-3851761-62)
64-65	Corvette w/Sp. H/Per. (327)	3867988	1	5.15	HOUSING (Holley No. 34R-4381A) (w/3849804)
75	Corvette	17051917	1	6.10	HOUSING, kit choke
63-65	Corvette w/F.I.	7002883	1	.05	PACKING, choke suction tube (Note 2)
62-63	Corvette (8 cyl.) (exc. 409),				
64-65	Corvette w/F.I.	3792709	1	1.20	PIPE ASSY., choke heat air intake
75	Corvette	355922	1	.39	PIPE, choke air
59-65	Corvette w/Carter 4BC, H/Per.				
65	Corvette w/H/Per. (327)	3759939	1	.36	PLATE, thermostat baffle (Carter 186-79)
63-65	Corvette w/F.I.	7006643	1	.37	PLATE, thermostat baffle (Note 2)
55-56	Corvette w/Carter 4BC (1st design),				
56-61	Corvette w/dual 4BC	7007893	1	.07	PLUG, choke hsg. (5/16" dia.) (expansion)
56-65	Corvette w/Carter 4BC (327) (2nd design) (exc. Sp./H/Per.)	1172236	1	.16	PLUG, choke hsg. (Carter 47-30) (5/8" dia. aluminum) (expansion)
55-61	Corvette (8 cyl.),				
62-65	Corvette w/F.I.,				
75	Corvette	7000614 A.R.		.15	RETAINER, thermostat housing cover
63-65	Corvette w/F.I.	7006846	1	.07	RETAINER, cover
64-65	Corvette w/Sp. H/Per. (327, 396)	3867997	1	.36	RETAINER, thermostat cover and coil (Holley No. 49R-328) (w/3849804)
55-61	Corvette w/4BC, dual 4BC,				
63	Corvette w/Sp. H/Per.,				
63-65	Corvette w/H/Per. (327)	1165640	2	.16	SCREW, housing (Carter 101-363)
62	Corvette w/H/Per., Sp. H/Per.	1179316	3	.17	SCREW, piston housing (Carter 101-436) (w/3760264-4593-3772600-3795566-7698-7699-3815403-5404-9207-3820580-7324-3855581-6580)
64-65	Corvette w/Sp. H/Per. (327, 396)	3852481	3	.11	SCREW, housing w/L/washer (Holley 5R-569) (w/3849804)
75	Corvette	7038808	1		SCREW, choke hsg. bowl
66	Corvette w/H/Per. (427)	3876794	1	.10	WASHER (1/8" I.D. x 3/4" O.D. x 1/16" thick) automatic choke thermostat cover

NOTE 2. Also listed in Fuel Injection sub-heading.

3.750A GASKET— PACKING— PLATE, Fuel Injection

62-65	Corvette w/7017355-7360	7002760	1	.11	thermostat housing cover
62	Corvette w/7017355-7360	7007502	1	.11	housing
63-65	Corvette	7002883	1	.05	PACKING, choke suction tube
62-65	Corvette w/7017355-7360	7006643	1	.37	PLATE, baffle

FUEL—EXHAUST—CARBURETION

3.751 VALVE— SCREW— SHAFT UNIT, Carburetor Choke

64-66	Corvette w/Sp. H/Per. (327, 396),				
67	Corvette w/Holley 4BC,				
70-72	Corvette w/Holley 4BC	3852460	1	.21	(Holley 2R-388)
67-69	Corvette w/3/2BC	3907100	1	.36	center (w/3902355-9872-3925516-17-3940929-30-3967480-83-89)
68-69	Corvette w/H.D. (427)	3933834	1	.28	(Holley w/3925519-3955205-3967481-87)
71-74	Corvette w/Roch. 4BC	7036021	1	.87	(Rochester)
75	Corvette	7048904	1	1.25	choke
53-64	Corvette	342146	A.R.	.10	SCREW, valve (Carter 39-11)— (3.761)
62-65	Corvette w/F.I.	7007627	2	.11	SCREW, valve (No. 6— 32 x 17/64" O.L.)
64-66	Corvette w/Sp. H/Per. (327, 396),				
67-72	Corvette w/Holley Carb.	2285775	2	.10	SCREW, valve (5 R-4)
68-75	Corvette w/Roch. 4BC	7029866	2	.15	SCREW, valve
67-72	Corvette w/Holley Carb.	2292693	2	.10	SCREW, center, carb. choke diaph. brkt. (5R290)
68-69	Corvette w/Roch. 4BC	7036430	1	2.50	SHAFT UNIT, carb. choke w/lever and valve— (3.752)

3.752 CLIP— DELAYER ASSY.— LEVER— LINK— PIN— PISTON— RETAINER— ROD— SCREW— SEAL— SHAFT— SPACER— SPRING, Carburetor and Fuel Injection Choke

67-70	Corvette	7003137	A.R.	.11	choke rod, pump connector
68-69	Corvette w/3/2BC	3931076	1	2.25	center to front carb. rod
68-69	Corvette w/3/2BC	3921961	1	.15	center to rear carb. rod
71-72	Corvette	3989067	1	.11	choke rod to carb.— (3.425)
71	Corvette w/Sp. H/Per. (350),				
71	Corvette (Holley 4BC w/A.T.) w/Sp. H/Per. (454)	3979658	1	8.40	DELAYER ASSY., carb. choke (Holley 35R-1001A) w/3986195-3989021
59-65	Corvette w/Carter 4BC	1472184	A.R.	1.65	LEVER, w/link & pin, piston (Carter 14-609S)
62-65	Corvette w/H/Per. (327),				
62-63	Corvette w/Sp. H/Per.	1173247	A.R.	.43	LEVER, choke outer (Carter 14-512)
63-65	Corvette w/F.I.	7022944	1	.14	LEVER, air meter choke housing
63-65	Corvette w/F.I.	7029543	1	1.63	LEVER, w/link-air meter choke
64-65	Corvette w/Sp. H/Per. (327)	3867981	1	.98	LEVER, w/link and piston (Holley No. 4R-534-A) (w/3849804)
68-74	Corvette w/Roch. 4BC	7027270	1	.88	LEVER, secondary lockout
68-75	Corvette w/Roch. 4BC	7031231	1	.63	LEVER, inter
75	Corvette	7041542	1		LEVER, choke
75	Corvette	7041473	1	1.30	LEVER, secondary lockout
66-68	Corvette (exc. 3/2BC)				LINK, diaph. w/3882835-4505-6091-6101-3890499-2341-3906631-3-5-7-3925519,
67-69	Corvette w/3/2BC,				
69	Corvette w/H.D. (427),				
70	Corvette w/Holley 4BC	3881422	1	.52	
70	Corvette w/Holley 4BC	3979470	1	.53	LINK, carb. diaph. (secondary) (w/3972121-23)
71-72	Corvette w/Holley 4BC	3979657	1	.74	LINK, carb. choke delayer (Holley 33R-544)
55	Corvette (8 cyl.),				
56-65	Corvette (8 cyl.) (exc. Carter 4BC)	7004748	1	.03	PIN, choke piston (5/32" long) (Carter 150-62)
56-65	Corvette w/Carter 4BC	1172252	1	.14	PIN, choke piston (Carter 150-190)
62-65	Corvette (327) (exc. H/Per., Sp. H/Per., F.I.)	3764577	1	1.19	PISTON, choke (Carter 160-136)
62-65	Corvette w/H/Per. (327)				PISTON, choke, (w/3797699-3815404— 9207-3826004-06-3851761-62-6580)
62-63	Corvette w/Sp. H/Per.	7013765	1	1.41	(Carter 610-199)
63-64	Corvette (8 cyl.)	7015887	1	1.05	PISTON, choke (w/7025121-2-6-7-8)
53-55	Corvette (6 cyl.)	838884	1	.16	RETAINER, lever
64-65	Corvette w/Sp. H/Per. (327, 396)				RETAINER, choke rod (Holley 48R-31) (w/3849804),
67-69	Corvette w/H.D. (427)	2315470	1	.20	w/3886091-3925519-3955205-3967481-87
62	Corvette w/H/Per., Sp. H/Per.	1182811	1	1.19	ROD, choke connector (w/3760264-4593-3772600-3795566-7699-3815404-9207-3856580)
64-65	Corvette w/Sp./H/Per. (327, 396)	2367977	1	.35	ROD (Holley No. 43R-203) (w/3849804-3868826-9933)
66	Corvette w/H/Per. (396, 427)	3899614	1	.78	ROD, auto choke (Holley) (w/3893246)

FUEL—EXHAUST—CARBURETION

**3.752 CLIP— DELAYER ASSY.— LEVER— LINK— PIN— PISTON— RETAINER—
ROD— SCREW— SEAL— SHAFT— SPACER— SPRING, Carburetor and
Fuel Injection Choke (Con't)**

66-67	Corvette (exc. 3/2BC)				ROD, carb. choke w/3882835-4505-6101-3890499-2341-3906631-3-5-7,
70	Corvette w/Holley 4BC	3881440	1	.36	w/3972121-23
66	Corvette w/Sp. H/Per. (427) ...	3889748	1	.54	ROD, choke diaph. conn. (w/3875966-6749)
66-67	Corvette w/Sp. H/Per. (327),				
69	Corvette w/Sp. H/Per. (350),				
70	Corvette (Sp. H/Per. w/E.E.C.) (350)	3917616	1	2.95	ROD, auto. choke
66-67	Corvette (327) (exc. Sp. H/Per.) .	3881866	1	.52	ROD, auto. choke
67-69	Corvette w/3/2BC	3907113	1	3.70	ROD, carb. choke (center) (w/3902355-9872-3925516-17-3940929-30)
67	Corvette w/3/2BC	3902376	1	1.55	ROD, auto. choke
67	Corvette w/4BC (427)	3906641	1	2.77	ROD, choke (w/3906640)
67-69	Corvette w/H.D. (427)	3898995	1	2.84	ROD, carb. choke
68-69	Corvette	3896970	1	1.45	ROD, auto. choke therm. cover and rod assy.
68-69	Corvette w/3/2BC (427)	3919899	1	1.13	ROD, auto. choke
68-69	Corvette w/Roch. 4BC	7036067	1	1.05	ROD, carb. choke
68	Corvette (4BC w/H/Per.) (427) .	3937738	1	1.74	ROD, auto. choke
69	Corvette (Roch. 4BC w/H/Per.) (427)	3946094	1	2.39	ROD, auto. choke
70	Corvette (4BC w/E.E.C.)	3967469	1	.95	ROD, auto. choke (w/3967468)
70	Corvette w/4BC (454) (exc. E.E.C.)	3967472	1	.65	ROD, auto. choke (w/3967471)
70	Corvette w/Sp. H/Per. (350) (exc. E.E.C.)	3972124	1	1.43	ROD, auto. choke (w/3972118)
70	Corvette w/E.E.C. (350) (exc. Sp. H/Per.)	3970084	1	.85	ROD, auto. choke (w/3972140)
70	Corvette (350) (exc. Sp. H/Per., E.E.C.)	3970080	1	.85	ROD, auto. choke (w/3972134)
70-74	Corvette w/Roch. 4BC	7037557	1	.71	ROD, carb. choke
71	Corvette (350) (exc. Sp. H/Per.) .	3989046	1	.52	ROD, auto. choke
71-72	Corvette w/Sp. H/Per. (350) ...	3989057	1	.80	ROD, auto. choke
71	Corvette w/H/Per. (454)	3989382	1	.74	ROD, auto. choke
71	Corvette w/Holley 4BC	3979661	1	.74	ROD, carb. choke (Holley 43R-490) w/3986195-3989021
72-73	Corvette (350) (exc. Sp. H/Per.),				
74	Corvette (350)	3998966	1	1.64	ROD, auto. choke
72-74	Corvette (454)	3999278	1	.35	ROD, auto. choke
73	Corvette (454)	7040039	1		ROD, inter. choke
72	Corvette w/Roch. 4BC,				
73-74	Corvette (350)	7024256	1	.71	ROD, inter. choke
74	Corvette (454)	7041178	1	.71	ROD, inter. choke
75	Corvette	7041472	1	1.75	ROD
58-75	Corvette	7019709	1	.05	SCREW, trip lever (6— 32 x 5/16")
57-61	Corvette w/F.I.,				
60-65	Corvette	7010434	1	.17	SCREW, attach choke valve, trip lever (6— 32 x 5/16")— (3.740)
64-65	Corvette w/F.I.	131970	2		SCREW (8.907)
63	Corvette w/Carter 4BC, dual 4BC	7019707	1	.05	SCREW, choke control bracket (10— 24 x 5/8") (w/7023009-10-22-5125-7100-7105- 06-25-9105-07-05-08-22-23-25-7037100- 05-25)
73*	Corvette	7029866	2	.15	SCREW, carb. choke valve
64-66	Corvette w/Sp. H/Per. (327, 396),				
67-69	Corvette w/Sp. H/Per., H.D. (427),				
67-69	Corvette w/3/2BC,				
70-72	Corvette w/Holley 4BC	3852471	1	.11	SEAL, choke rod (Holley 27R-238)
75	Corvette	7037569	1		SEAL, inter. choke shaft
75	Corvette	7043367	1		SEAL, choke hsg. bowl
62-65	Corvette w/H/Per. (327),				
62-63	Corvette w/Sp. H/Per.	1472185	1	1.34	SHAFT, w/lever (piston housing) (Carter 14- 612S) w/3760264-4593-3772600- 3795566-7699-9207-3815404-3816004- 06-3851761-62-6580)
64-65	Corvette w/Sp. H/Per.	2367952	1	.98	SHAFT (rod to plate) (Holley No. 3R-278A) (w/3849804)

FUEL—EXHAUST—CARBURETION

3.752 CLIP— DELAYER ASSY.— LEVER— LINK— PIN— PISTON— RETAINER— ROD— SCREW— SEAL— SHAFT— SPACER— SPRING, Carburetor and Fuel Injection Choke (Con't)

64-65	Corvette w/Sp. H/Per. (327, 396)	3867980	1	.67	SHAFT, w/lever (to rod) (Holley No. 4R-486A) (w/3849804-3868826-9923)
65-66	Corvette,				
67	Corvette w/Holley 4BC,				
67-69	Corvette w/3/2BC,				
70-72	Corvette w/Holley 4BC	3877160	1	1.57	SHAFT ASSY. (w/Holley 3R-5 10A)
70-72	Corvette w/Roch. 4BC,				
73-74	Corvette (350)	7038855	1	2.45	SHAFT ASSY., w/lever carb. choke
73-74	Corvette (454)	7047614	1	2.45	SHAFT ASSY., w/lever
75	Corvette	7038259	1		SHAFT ASSY., carb. choke
75	Corvette	17051193	1	2.75	SHAFT ASSY., w/lever, inter. choke
68-69	Corvette w/Roch. 4BC	7036430	1	2.50	SHAFT UNIT, carb. choke w/lever and valve
62-65	Corvette w/H/Per. (327),				
62-63	Corvette w/Sp. H/Per.	1875354	1	.14	SPACER, choke trip lever (w/3760264-4593-3772600-3795566-7699-3815404-9207-3826004-06-3851761-62-6580) ...
64-65	Corvette w/F.I.	7017388	1	.52	SPRING, A.M. choke shaft seal (w/7017380)

3.753 SPRING, Carburetor Choke

53-55	Corvette (6 cyl.)	839995	A.R.	.28	valve (Carter 61-282)
-------	-------------------------	--------	------	-----	-----------------------------

3.755 CONTROL ASSY.— BRACKET ASSY.— CONNECTOR— DIAPHRAGM ASSY.— LINK— ROD— SCREW— TEE, Carburetor

68	Corvette w/Roch. 4BC	7038960	1	3.85	
69	Corvette w/Roch. 4BC	7038239	1	4.25	
70-71	Corvette w/Roch. 4BC	7043674	1	9.00	w/bracket, choke vac.
70-71	Corvette w/Roch. 4BC	7043676	1	5.20	choke vac.
72	Corvette w/Roch. 4BC	7044901	1	9.00	w/bracket carb. vacuum brake
72	Corvette w/Roch. 4BC	7044903	1	5.20	carb. choke vacuum
73	Corvette (454)	7040384	1	5.25	choke vac.
73	Corvette w/Sp. H/Per. (350) ...	7040386	1	5.25	choke vac.
73*	Corvette (350) (exc. Sp. H/Per.) .	7040181	1	5.25	choke vac.
74	Corvette (454)	7048200	1	5.25	choke vac.
74-75	Corvette (350) (exc. Sp. H/Per.) .	7048206	1	5.25	choke vac.
74-75	Corvette w/Sp. H/Per. (350) ...	7048211	1	5.25	choke vac.
75	Corvette (350)	17053201	1	9.00	CONTROL, w/bracket-vac. brake
68	Corvette w/Roch. 4BC (427) ...	7036313	1	4.40	BRACKET ASSY., control (w/7028209-16)
68	Corvette (327)	7036367	1	4.40	BRACKET ASSY., carb. choke vac. control .
68	Corvette w/H/Per. (427)	7042363	1	4.40	BRACKET ASSY., carb. choke vac. control(w/7028209-16)
70	Corvette w/Holley 4BC	3979424	1	.75	CONNECTOR, fuel inlet w/3972121-23 ..
66	Corvette (327, 427)				DIAPHRAGM ASSY., w/3874898-5964-3882835-4505-5067-6091-6101-3890497-2341-0499,
67-70	Corvette w/Holley Carb.	3912092	1	2.85	center
72	Corvette w/Holley 4BC	6273911	1	10.95	DIAPHRAGM ASSY., carb. choke (Holley 35R-1013-A)
75	Corvette	7043447	1	1.85	LINK, aux. vac. brake
68-69	Corvette w/Roch. 4BC	7038167	1	.62	ROD, vac. control
70-71	Corvette w/Roch. 4BC	7029075	1	.72	ROD, choke vacuum control
72-74	Corvette w/Roch. 4BC	7024257	1	.72	ROD, carb. choke vac. control
75	Corvette	7041527	1	1.30	ROD, vac. cont.
64-65	Corvette w/Sp. H/Per. (327, 396),				
66	Corvette,				
67-72	Corvette w/Holley 4BC				SCREW, w/lockwasher, secondary diaphragm cover (5R-370),
67-69	Corvette w/3/2BC	2285811	4	.03	front and rear (w/3902353-3935215)
68-74	Corvette w/Roch. 4BC	7031925	1	.19	SCREW, vac. cont. assy.
75	Corvette	17050732	1	.19	SCREW, vac. cont. assy.
75	Corvette	7043682	2	.27	SCREW, aux. vac. cont.— (3,444)
68-69	Corvette w/H.D. (427)	3931640	1		TEE, carb. vac. sig. conn.

3.757 CLAMP— CARRIER— BODY ASSY.— PLATE— ROD— SCREW— SPRING— VALVE, Carburetor Air Valve

66-67	Corvette (exc. 3/2BC)				ROD (w/3882835-4505-3890499-2341-3906631-3-5-7),
68-69	Corvette w/3/2BC (427)				w/3940929-30,
69	Corvette (Holley 4BC w/Sp. H/Per.) (350),				

FUEL—EXHAUST—CARBURETION

**3.757 CLAMP— CARRIER— BODY ASSY.— PLATE— ROD— SCREW—
SPRING— VALVE, Carburetor Air Valve (Con't)**

70	Corvette (Holley 4BC w/Sp. H/Per.) w/E.E.C. (350)	3881441	1	.08	
70	Corvette (Holley 4BC w/Sp. H/Per.) w/E.E.C. (350)	3979538	1	.89	CLAMP ASSY., carb. vent. valve (w/3972123)
73-75	Corvette	327688	1	5.15	CARRIER, carb. air cont. valve
70	Corvette (Holley 4BC w/Sp. H/Per.) w/E.E.C. (350)	3979501	1	1.45	BODY ASSY., carb. vent. valve (3972123)
73-75	Corvette	331828	1	.36	PLATE, carb. air cont. valve carrier tap
70	Corvette (Holley 4BC w/Sp. H/Per.) w/E.E.C. (350, 454)	3979515	1	.95	ROD, carb. vent valve (w/3967487- 3972123)
66-67	Corvette (exc. 3/2BC)	3881410	1	.11	SCREW, w/3882835-4505-3890499-2341- 3906631-3-5-7
66-75	Corvette w/Roch. 4BC	7035344	1	2.50	SPRING, w/cam air valve
70	Corvette (Holley 4BC w/Sp. H/Per.) w/E.E.C. (350)	3979512	1	.61	SPRING, carb. vent rod (w/3967487- 3972123)
70	Corvette (Holley 4BC w/Sp. H/Per.) w/E.E.C. (350)	3979511	1	.11	SPRING, carb. vent valve (w/3967487- 3972123)
66-67	Corvette (exc. 3/2BC)				VALVE, air vent. w/3882835-4505- 3890499-2341-3906631-3-5-7, w/3940929-30,
68-69	Corvette w/3/2BC (427)				
69	Corvette (Holley 4BC w/Sp. H/Per.) (350)	3881420	1	.25	

3.758 VALVE— DIAPHRAGM ASSY., Carburetor Throtte

64-65	Corvette w/Sp. H/Per. (327)				primary (Holley No. 9R-109) (w/3849804),
66-67	Corvette (exc. 3/2BC)	3867983	2	.36	w/3884505-6091-7835-3890499-2341- 3906631-3-5-7
64-65	Corvette w/Sp. H/Per. (327)				secondary (Holley No. 9R-118) (w/3849804),
66-67	Corvette (exc. 3/2BC)	3867984	2	.43	w/3884505-2835-7835-3890499-2341- 3906631-3-5-7
67-69	Corvette w/3/2BC	3910224	2	.55	front and rear (w/3902353-3967485)
67-69	Corvette w/H.D. (427)	3898987	4	4.98	w/3886091-3925519-3955205-3967481- 87 (Note 1)
	<i>NOTE 1 Used as 2 primary, 2 secondary.</i>				
70	Corvette (Holley 4BC w/Sp. H/Per.) (350)	3979471	1	6.72	DIAPHRAGM ASSY., carb. secondary (w/3972121-23)
67-69	Corvette w/H.D. (427)	2367971	1	1.80	DIAPHRAGM ASSY., secondary (w/3886091-3925519-3955205)
64-65	Corvette w/Sp. H/Per. (327, 396),				
66	Corvette,				
67	Corvette w/Holley 4BC (exc. H.D. 427),				
69-72	Corvette w/Holley 4BC	3852474	1	1.90	DIAPHRAGM ASSY., w/rod (secondary) (Holley 35R-235A) w/3849804-3868826- 8864-9933-3874898-5964-6741- 3882835-4505-6101

**3.761 SCREW— SPRING— WASHER, Carburetor Throttle Valve and Throttle
Lever Adjusting**

55-66	Corvette w/Carter 4BC dual 4BC	342146 A.R.		.10	(sltd. rd. hd. No. 3— 48 x 7/32")
63-65	Corvette w/F.I.				throttle shaft and lever,
68-75	Corvette w/Roch. 4BC	7002121	1	.11	air meter idle adjustment (No. 10— 32 x 19/16")
62-65	Corvette w/H/Per. (327),				
62-63	Corvette w/Sp. H/Per.	7011175 A.R.		.16	valve, primary (Carter 101-420). (w/3760264-4593-3772600-3795566- 7699-3815403-04-9207-3820580-6004- 06-7324-3851761-62-5581-6580- 3875966-6749)
64-65	Corvette w/Sp. H/Per. (327)				primary and secondary throttle valve (Holley 5R-635) (w/3849804),
66-67	Corvette (exc. 3/2BC)				w/3882835-4505-3890499-2341- 3906631-3-5-7,
67-69	Corvette w/3/2BC	2368018 A.R.		.03	w/3902353-5-9872-3925516-17
65	Corvette (396)				w/lockwasher, float shf. brkt. (Holley 5R- 1016) (w/3868826)

FUEL—EXHAUST—CARBURETION

3.761 SCREW— SPRING— WASHER, Carburetor Throttle Valve and Throttle Lever Adjusting (Con't)

66	Corvette w/Sp. H/Per. (427)			w/3885067-6101,
67-69	Corvette w/3/2BC			w/3902353-5-9872-39255 16-17-3940929-30,
67-69	Corvette w/H.D. (427)			w/3886091-39255 19-3955205-3999263,
70-72	Corvette w/Holley carb.	3877162	A.R.	.11
64-65	Corvette w/Sp. H/Per. (327, 396),			
66-72	Corvette w/Holley 4BC			SPRING , adjusting screw,
67-69	Corvette w/3/2BC	2285846	1	.21 primary (38R-110)
69-70	Corvette (Holley 4BC w/H.D.) (427)	3962882	1	1.65 SPRING , carb. throttle return (secondary) (w/3955205-3967481-87)
64-65	Corvette w/Sp. H/Per. (327, 396),			
66-67	Corvette (exc. 3/2BC)	810794	1	.07 WASHER , connecting rod (Holley 46R-25)

3.762 ARM— BAR— BUSHING— LEVER— NUT— PIN— RETAINER— ROD— SCREW— SPACER— WASHER, Carburetor Throttle

67-69	Corvette w/3/2BC	3907112	2	1.80 BAR , throttle connector (center) (w/3902355-9872-39255 16-17)
66	Corvette			BUSHING , throttle shaft (Holley 13R-600) (w/3868864-3874898-5964-6747-3884505-5067-6101-3890499-2341),
67-69	Corvette w/Holley 4BC	3888871	1	.27
66	Corvette			LEVER , choke control (w/3868864-3874898-5964-3882835-5067-6091-6101-3890499-2341),
67-70	Corvette w/Holley 4BC,			center
67-69	Corvette w/3/2BC	3881408	1	.43 LEVER , carb. choke control (Holley 4R-1003) w/3986195, 3989021
71	Corvette w/Holley 4BC	3979654	1	.67 LEVER , carb. choke control (Holley 4R-1018)
72	Corvette w/Holley 4BC	6273903	1	.67 NUT , carb. throttle connector pin w/3940929-30
67-69	Corvette w/3/2BC	3907111	1	.33 PIN , throttle connector (center) (w/3902335-9872-39255 16-17)
67-69	Corvette w/3/2BC	3910230	1	1.02
<i>Note 1 In most applications, Retainer 7002140 must also be used.</i>				
63-65	Corvette w/H/Per., (327),			
63	Corvette w/Sp. H/Per. (327)	1360008	1	.55 ROD , connector (Carter 115-372) (w/3826004-7324-3852761-62-5581-3875966-6749)
64-65	Corvette w/Sp. H/Per. (327, 396)			ROD , connector (Holley No. 43R-205) (w/3849804-3868826-8864-9933-3874898-5904-6747-3882835-5067-6101-3890499-2341),
66	Corvette			
67-70	Corvette w/Holley 4BC	3867995	1	.43 ROD , carb. throt. conn. (Holley 43R-491) w/3986195-3989021
71	Corvette w/Holley 4BC	3979662	1	.74 ROD , center to rear carb.
67-69	Corvette w/3/2BC	3921959	1	2.69 ROD , center to front carb.
67-69	Corvette w/3/2BC	3921954	1	1.12 ROD , carb. throttle conn. (w/3999263) (Holley 43R-426)
72	Corvette w/Holley 4BC	6273913	1	.60 SPACER , throttle connector pin (center) (w/3902355-9872-39255 16-17-3940929-30)
67-69	Corvette w/3/2BC	3907114	2	.52

3.765 CONNECTOR— BRACKET, Carburetor Vacuum

67	Corvette (A.I.R. w/3/2BC)	2446056	1	.38 inlet manifold vacuum— (3.704)
73	Corvette (350) (exc. Sp. H/Per.)	7047878	1	9.00 BRACKET , w/control assy., vac. brk.
73	Corvette w/Sp. H/Per. (350)	7047924	1	9.00 BRACKET , w/control assy., vac. brk.
73	Corvette (454)	7047872	1	9.00 BRACKET , w/control assy., vac. brk.
74	Corvette (454)	7048884	1	9.00 BRACKET , w/control assy., vac. brk.
74	Corvette (350) (exc. Sp. H/Per.)	7048899	1	9.00 BRACKET , w/control assy., vac. brk.
74	Corvette w/Sp. H/Per. (350)	7048929	1	9.00 BRACKET , w/control assy., vac. brk.
75	Corvette	17050759	1	9.00 BRACKET , w/control vac. brk.
75	Corvette	17050756	1	8.75 BRACKET , w/brake aux. vac.

3.766 CAM— LEVER— SCREW— SPACER— SPRING— VALVE, Carburetor and Fuel Injection Fast Idle

64	Corvette w/Sp. H/Per.	3852479	1	.67 (Holley No. 41-R-244A) (w/3849804, Holley R-2818A)
----	-------------------------------	----------------	---	--

FUEL—EXHAUST—CARBURETION

3.766 CAM— LEVER— SCREW— SPACER— SPRING— VALVE, Carburetor and Fuel Injection Fast Idle (Con't)

64-65	Corvette w/Sp. H/Per.	3867994	1	.81	(Holley No. 41R-498A) (w/3849804, Holley 2818-1A)
66	Corvette w/Sp./H/Per. (427) ...				w/3868864-3874893-3885067-6101), ...
67-69	Corvette w/H.D. (427)				w/3886091-3925519-3925205,
70	Corvette w/Holley 4BC	3881438	1	.43	fast idle (w/3868864-3874898-5964-6747-4898-3882835-4505-3890499-2341) ...
66	Corvette				w/3906631-3-5-7,
67	Corvette w/Holley 4BC				center (w/3902355-9872-3925516-17-3940929-30)
67-69	Corvette w/3/2BC	3888875	1	.52	
68	Corvette w/Roch. 4BC (327) (exc. A.T.)		1		fast idle (w/7028207-13-19),
69	Corvette w/Roch. 4BC (350, 427) (exc. A.T., Sp. H/Per.) ...	7038844	1	1.23	
68	Corvette (Roch. 4BC w/A.T.) (327)				fast idle (w/7028208-12),
69	Corvette (Roch. 4BC w/T.H. 400) (350) (exc. H/Per.),				
69	Corvette w/T.H. 400 (Roch. 4BC w/H/Per.) (427)	7038845	1	.91	w/7029200-02-04-14-15-23-24
70	Corvette w/Roch. 4BC	7040800	1	3.75	
71	Corvette w/Holley 4BC	3979660	1	.74	fast idle (Holley 41R-656) (w/3986195-96-3989021)
71-72	Corvette w/Roch. 4BC	7042723	1	3.75	fast idle (w/7041204-5-12-13)
72	Corvette w/Holley 4BC	6273912	1	.67	carb. fast idle (w/3999263) (Holley 41R-668)
73-74	Corvette (350)	7047876	1	3.75	fast idle
73-74	Corvette (454)	7047378	1	3.75	fast idle
75	Corvette	17051176	1	3.75	fast idle
57-61	Corvette w/F.I.	7000196	1	.50	LEVER, air meter (w/7025121-2-3-4-6-7-8-6121-7036118-19-20-21)
66	Corvette (exc. A.I.R.)				LEVER, cam (w/3868864-3874898-5964-6747-3882835-4505-5067-6091-6101),
67-70	Corvette w/Holley Carb.	3881409	1	.43	center
68-70	Corvette w/Roch. 4BC	7035409	1	.65	LEVER, fast idle cam
68-70	Corvette w/Roch. 4BC	7035806	1	.87	LEVER, fast idle cam trip
68-69	Corvette w/Roch. 4BC	7035840	1	.58	LEVER, wide open kick
70	Corvette w/Roch. 4BC	7040805	1	.71	LEVER, carb. wide open kick
71	Corvette w/Holley 4BC	3979653	1	.43	LEVER, carb. fast idle cam (Holley 4R-1002)
71-74	Corvette w/Roch. 4BC	7043634	1	.91	LEVER, carb. cam follower
72	Corvette w/Holley 4BC	6273904	1	.52	LEVER, carb. fast idle cam (Holley 4R-1019)
73-74	Corvette	7030677	1	1.25	LEVER, carb. fast idle cam trip (Roch.)
75	Corvette	7041497	1	1.00	LEVER, carb. cam follower
75	Corvette	7041498	1	1.40	LEVER, fast idle
65-69	Corvette	7019709	A.R.	.05	SCREW, choke rod throttle lever— (3.752) .
68-74	Corvette w/Roch. 4BC	7029899	1	.24	SCREW, cam adj.
68-74	Corvette w/Roch. 4BC	7035523	1	.33	SCREW, fast idle lever
69-72	Corvette w/Holley 4BC	3960392	1	.11	SCREW, throttle adj.
75	Corvette	7044794	1		SCREW, fast idle adj.
75	Corvette	7036079	1		SCREW, fast idle lever attach.
63-65	Corvette w/F.I.	7001690	1	.11	SPRING, air meter idle stop screw
68-75	Corvette w/Roch. 4BC	7029900	1	.28	SPRING, fast idle screw
68-74	Corvette w/Roch. 4BC	7035772	1	.33	SPRING, fast idle cam lever
72-75	Corvette w/Roch. 4BC	7003176	1	.11	SPRING, fast idle stop screw
75	Corvette	17051494	1	.31	SPRING, cam lever
58-64	Corvette w/F.I.	7017090	1	29.95	VALVE, cranking signal (w/7014900-7200-7250-7310-7320-7355-7360)

3.767 SCREW— SPACER, Carburetor and Fuel Injection Fast Idle Cam

57-65	Corvette w/F.I.,				
65	Corvette (396)	7003561	1	.37	fast idle cam (12— 28 x ³ / ₈ " x ³ / ₁₆ " dia. shldr.) attaching
62-65	Corvette w/H/Per. (327),				
62-63	Corvette w/Sp. H/Per.	7011620	1	.50	fast idle cam (Carter 101-323) (w/3760264-4593-3772600-3795566-7699-3815404-9207-3820580-6004-06-7324-3851761-62-5581-6580-3875966-6749)
64-65	Corvette w/Sp. H/Per. (327) ...	3852464	1	.11	fast idle cam lever adj.
64	Corvette w/Sp. H/Per.	271060	A.R.		w/lockwasher, fast idle cam and diaphragm lever— (8.913)

3.768 LINK— ROD, Carburetor Air Meter Fast Idle Cam

63-65	Corvette w/F.I.	7017276	1	1.19	w/7017375-7380
-------	----------------------	---------	---	------	----------------------

FUEL—EXHAUST—CARBURETION

3.774 NOZZLE, Carburetor

64-66	Corvette w/Sp. H/Per. (327)	3867987	1	1.79	pump discharge (Holley No. 21R-529A-25) (w/3849804)
65	Corvette (396),				
66	Corvette (exc. A.I.R.)				pump discharge (Holley No. 21R-572-25) (w/3868826-8864-3875964-3884505-2835-3890499,
67	Corvette w/Holley 4BC				w/390663 1-3-5,
67	Corvette (P.G. w/3/2BC)				w/3909872,
69	Corvette (3/2BC w/T.H. 400) w/H/Per. (427)				w/3940930-3955516,
69-72	Corvette (Holley 4BC w/Sp. H/Per.) (350, 454)	2367980	1	.60	w/3986195-96-3989021-3999263
65-66	Corvette (396)		1		pump discharge (Holley No. 21R-572-21) (w/3868826-9933-3874898-5964-3885067-6747-3892341),
67	Corvette (A.I.R. w/4BC) (427)				w/3906637,
67	Corvette w/3/2BC (exc. P.G.)				center (w/3902355),
69	Corvette w/3/2BC (exc. T.H. 400)	3881419	1	.81	
67-69	Corvette w/H.D. (427)	3918863	1	1.05	pump discharge (w/388609 1-3925519-3955205)
69	Corvette (Holley 4BC w/H.D.) (427)	3963831	A.R.	1.12	pump discharge

3.775 PLUG, Carburetor Nozzle Passage

55-65	Corvette w/4BC, dual 4BC	7011181	A.R.	.11	(Carter 103-14) (3/16" lead shot)
55-61	Corvette w/4BC, dual 4BC,				
62-65	Corvette (327) (exc. H/Per., Sp. H/Per., F.I.)	7002439	A.R.	.15	(Carter 11B-35) (1 3/8" O.D. x 1 3/4" shaft length) (w/3792945-3019-3846246-47-3868468-69-3876213-14-3880303-0860-08615439-40-41-42-3891593.

3.790 GASKET— SCREW ASSY., Venturi Cluster

61-65	Corvette w/H/Per. (327),				
62-63	Corvette w/Sp. H/Per.	7006414	A.R.	.17	SCREW ASSY., primary and secondary (Carter 101-379S) (slotted fillister hd. and L/washer) (No. 10-32 x 1) (w/3851761-2-3855581-1761-2-3875966-6749)

3.792 JET, Carburetor Metering Rod, with Gasket

55-56	Corvette w/4BC	3721035	2	1.41	primary (Carter 120-155) (w/3876749-5966)
56-57	Corvette w/dual 4BC				w/3720953-3730599,
56-61	Corvette w/4BC,				
62-65	Corvette (327) (exc. H/Per., Sp. H/Per., F.I.)	1346577	2	.84	primary
57-61	Corvette w/dual 4BC	1459366	2	1.41	primary (Carter 120-166) (w/3744002-04-3772600-3785554)
59-61	Corvette w/Carter 4BC (283),				
62	Corvette (327) (exc. H/Per., Sp. H/Per., P.G.),				
62-65	Corvette (P.G. w/H/Per.) (327)	563131	A.R.	1.41	secondary (Carter 120-176)
62	Corvette (P.G. w/H/Per.) (327)				w/3797699,
62-65	Corvette (327) (exc. H/Per., F.I., Sp. H/Per., Air Cond.),				
63-64	Corvette w/H/Per. (327) (exc. P.G.)	1465397	2	1.41	secondary (Carter 120-222) (w/3846246-47-3875966-6749)
64-65	Corvette w/Sp. H/Per. (327),				
66	Corvette (327) (exc. A.I.R.),				
66	Corvette w/H/Per. (427)				primary (w/3849804-3882835-4505-3892341),
67	Corvette w/4BC (327, 427) (exc. A.I.R.)	2193938	1	.38	w/3906631-33
64-65	Corvette w/H/Per. (327)	7009575	A.R.	1.41	w/3851761-62 (used w/Carter 3720SA-3721SA) approx. 3/32" opening
64-65	Corvette w/Sp. H/Per. (327),				
66	Corvette w/Sp. H/Per. (427)				main metering (secondary) (Holley No. 22R-40-76) (w/3849804-3868826-9933-5067-6091-6101),
69-72	Corvette w/Holley 4BC	2337493	2	.38	w/3916143-5-3923289-3972121-23-3989021-3986195-96-3999263
65	Corvette (396),				

FUEL—EXHAUST—CARBURETION

3.792 JET, Carburetor Metering Rod, with Gasket (Con't)

66	Corvette w/Sp. H/Per. (427)				primary (w/3888826-3886101) (Holley 22R-40-70),
70-72	Corvette w/Holley 4BC	2334344	2	.38	w/3972121-23-3989021-3986195-96-3999263
66	Corvette (327) (exc. A.I.R.)	2337804	2	.35	primary (w/3884505)
66-67	Corvette w/A.I.R. (327)				primary (w/3890499-3906635),
68-69	Corvette w/3/2BC (427) (exc. T.H.)	2193738	2	.37	standard jet (w/3925517-3940929)
67	Corvette (A.I.R. w/4BC) (427)	2364451	2	.38	w/3906637
67	Corvette w/3/2BC (exc. A.T.)	2292685	2	.38	center (w/3902355-3925517)
67	Corvette (A.T. w/3/2BC)	2285783	2	.30	main (center) (w/3909872-3925516)
67-69	Corvette w/H.D. (427)	3921003	1	.43	main metering secondary (throttle side) (w/3886091-3925519-3955205-3967481-87)
67-69	Corvette w/H.D. (427)	3921004	2	.43	main metering (1 secd., 1 primary on throttle side) (w/3886091-3925519-3955205-3967481-87)
67-69	Corvette w/H.D. (427)	3898990	1	.43	main metering (primary choke side) (w/3886091-3925519-3955205-3967481-87)
68-69	Corvette w/Roch. 4BC (exc. 327 Sp. H/Per. 350)	7031971	2	1.05	primary (90 degree approach)
69	Corvette (Holley 4BC w/Sp. H/Per.) (350)	2339559	2	.38	w/3923289-3967481-87
68	Corvette w/Sp. H/Per. (327)				primary (90 degree approach) (w/7028219),
69	Corvette (Roch. 4BC w/H/Per.) (350)	7031966	1	1.05	w/7029207
68-69	Corvette (3/2BC w/T.H.) w/H/Per. (427)	3936297	2	.50	main metering (w/3925516-3940930-3967483)
70	Corvette w/Roch. 4BC (350)	7031976	1	1.05	main (90 degree approach)
70	Corvette w/Roch. 4BC (454),				
73	Corvette (350) (exc. Sp. H/Per.)	7031978	1	1.05	main (90 degree approach)
71-72	Corvette w/Roch. 4BC (350),				
73	Corvette w/Sp. H/Per. (350)	7031974	2	1.05	prim. (90 degree approach)
71-73	Corvette w/Roch. 4BC (454)	7031977	2	1.05	prim. (90 degree approach)
74	Corvette w/Roch. 4BC	7031975	2	1.05	main (90 degree approach)
75	Corvette	7031972	2	1.05	prim.

NOTE. Stamp on top or side of jet denotes orifice diameter in thousands.

3.806 ROD— HOLDER UNIT, Carburetor Metering

57-61	Corvette w/dual 4BC	3744037	2	1.68	standard (Carter 75-1350) (w/3744002-4004-3785554)
62-65	Corvette (327) (exc. H/Per., Sp. H/Per., F.I.)	3816356	2	.47	standard (Carter 75-1586) (w/3846246-7)
68	Corvette w/Roch. 4BC (427)				secondary (w/7028209-10-11-16),
69	Corvette (Roch. 4BC w/T.H. 400) (427)				w/7029204-15,
70	Corvette w/Roch. 4BC (454)	7033549	2	2.65	w/7040204-5-0504-5
68	Corvette w/Roch. 4BC (327) (exc. Sp. H/Per.)				secondary, w/7028207-8-12-13,
69-70	Corvette (350) (exc. H/Per.)	7034337	2	3.00	w/7029202-03-23-7040202-3-13-0502-3-13
68-69	Corvette w/T.H. (Roch. 4BC w/H/Per.) (427)	7034847	1	1.35	primary (w/7028216-7029204)
68	Corvette w/Roch. 4BC (327) (exc. Sp. H/Per.)	7034846	1	1.35	primary (w/7028207-8-12-13-19)
68-69	Corvette w/Roch. 4BC (427) (exc. Sp. H/Per., A.T.)	7034845	1	1.35	primary (w/7028209-11-7029201-15)
68	Corvette (Roch. 4BC w/Sp. H/Per.) (327)				secondary,
69	Corvette w/Roch. 4BC,				
70	Corvette (Roch. 4BC w/H/Per.) (350),				
71	Corvette (Roch. 4BC w/H/Per.) (454)	7034822	1	3.20	secondary
68	Corvette w/Sp. H/Per. (327)				primary (w/7028219),
69	Corvette (Roch. 4BC w/H/Per.) (350),				
74	Corvette (350) (exc. Sp. H/Per.)	7034836	2	1.35	w/7029207-17050580-1
69	Corvette w/Roch. 4BC (350) (exc. H/Per., T.H. 400)	7034838	2	1.35	w/7029203
69	Corvette (Roch. 4BC w/T.H. 400) (exc. H/Per 427)	7034842	1	1.35	primary (w/7029202)

FUEL—EXHAUST—CARBURETION

3.806 ROD— HOLDER UNIT, Carburetor Metering (Con't)

70-72	Corvette (Roch. 4BC (454)	7034849	1	1.35	primary (w/7040204-5-0504-5-7042216-17)
70-72	Corvette w/Roch. 4BC (350)	7034844	1	1.35	primary (w/7040202-3-7-13-0502-3-7-13-1212-13)
71	Corvette w/Roch. 4BC (350)	7033171	1	3.00	secondary w/7041212-13
72	Corvette w/Roch. 4BC (454)	7045840	1	3.00	secondary w/7042216-17
72	Corvette w/Roch. 4BC (350),				
73	Corvette,				
74-75	Corvette w/Sp. H/Per. (350)	7046010	1	3.00	secondary w/7042202-03
73	Corvette (350)	7034844	2	1.35	prim. w/7043202-03-12-13
73	Corvette w/A.T. (454)	7034850	2	1.35	prim. w/7043200
73	Corvette (454) (exc. A.T.)	7034848	2	1.35	prim. w/7043201
74	Corvette (454) (exc. A.T.)	7034839	2	1.35	prim. w/7047401
74	Corvette w/A.T. (454)	7034841	2	1.35	prim. w/7047403-05
74	Corvette w/Sp. H/Per. (350)	7034843	2	1.35	prim. w/17050590-1
74-75	Corvette (350) (exc. Sp. H/Per.)	7045779	2	2.65	secondary w/17050580-1
74	Corvette (454)	7048992	2	3.00	secondary w/7047401-03-05
75	Corvette (exc. Sp. H/Per.)	17051346	2	1.80	prim. (w/7045222-23-17052579-80)
75	Corvette w/Sp. H/Per.	17051344	2	1.80	prim. (w/7045210-11-17052563-64)
68-75	Corvette w/Roch. 4BC	7034522	1	.99	HOLDER UNIT, carb. metering rod
					secondary

3.810 SPRING, Carburetor Metering Rod

62-65	Corvette w/H/Per. (327),				
62-63	Corvette w/Sp. H/Per.	7011170	A.R.	.70	(Carter 61-585) (w/3760264-4593-3772600-3795566-3815403-04-9207-3820580-6004-06-7324-3851761-62-5581-6580-3875966-6749)
69-74	Corvette w/Roch. 4BC	7029862	1	.53	primary
75	Corvette	7041459	1	.30	primary

3.814 NEEDLE UNIT— BRACKET— CLIP— NUT— SCREW, Carburetor and Fuel Meter Intake (with Seat and Gasket)

58	Corvette w/Carter 4BC		1		w/seat, intake primary,
59-61	Corvette w/Carter 4BC,				
62-65	Corvette (327) (exc. H/Per., Sp. H/Per., F.I.)	3850048	A.R.	3.70	w/seat and gasket (Carter 25-280S, 728S) primary and secondary
62-65	Corvette w/H/Per. (327)				w/seat and gasket, 3815403-5404-9207, 3826005-6006,
62-63	Corvette w/Sp. H/Per. (327)	543070	2	3.70	3851761-1762-6580-3875966-6749) (Carter 25-6885)
64-65	Corvette w/Sp. H/Per. (327)	3854055	2	3.70	w/gasket and seat (Holley 18R-86 AS)
65	Corvette (396),				
66	Corvette w/Sp. H/Per. (427)				w/seat assy. (Holley 18R-135A) (w/3868826-9933-3885067-6101)
67-69	Corvette w/H.D. (427),				
70	Corvette w/Sp. H/Per. (350),				
72	Corvette w/Holley 4BC	3877165	2	3.70	w/3886091-3925519-3955205-3967481-87-3972121-23
66	Corvette (exc. 427 H/Per.),				
66	Corvette w/A.I.R. (427)				float w/3890499-2341,
67-69	Corvette w/3/2BC	3896614	2	3.70	(Holley 18R-182A)
66	Corvette w/H/Per. (427) (exc. A.I.R.),				
66	Corvette (327) (exc. A.I.R.)	3889775	1	3.70	carb. float (w/3884505-2835)
67	Corvette w/Holley 4BC	3912070	2	3.70	w/3906631-3-5-7
68	Corvette (427)				w/7028209-10-11-16,
69	Corvette w/H/Per. (427),				w/7029204-15,
70-74	Corvette w/Roch. 4BC	7035140	1	3.80	w/7040204-5-0504-5-1204-5
68	Corvette (327)				w/7028207-08-12-13-19,
69-72	Corvette w/Roch. 4BC (350)	7035130	1	3.20	
71	Corvette w/Holley 4BC	3979656	2	3.70	carb. float (Holley 18R-135AS)
75	Corvette	7035134	1	3.45	w/seat assy.
65	Corvette (396),				
66	Corvette w/Sp. H/Per. (427)				BRACKET, float shf. ret. (Holley 59R-79) (w/3868826-9933-3885067-6101),
67-70	Corvette w/H.D. (427)				w/3886091-3925519-3955205-3967481-87,
67-69	Corvette w/3/2BC				all (w/3902353-5-9872-3925516-17-3940929-30-3999263),
70-72	Corvette w/Holley 4BC	3877174	1	.15	
68-75	Corvette w/Roch. 4BC	7033751	1	.45	CLIP, carb. float needle pull
64-65	Corvette w/Sp. H/Per. (327, 396),				

FUEL—EXHAUST—CARBURETION

3.814 NEEDLE UNIT— BRACKET— CLIP— NUT— SCREW, Carburetor and Fuel Meter Intake (with Seat and Gasket) (Con't)

66	Corvette				NUT , needle adjusting (Holley 39R-160) (w/3849804),
67-69	Corvette w/H.D. (427)				w/3886091-3925519-3955205,
67-69	Corvette w/3/2BC,				
71-72	Corvette w/Holley 4BC	3852477	2	.27	all (w/3902353-5-9872-3925516-17-3940929-30-3989021-6195-96-3999263)
64-65	Corvette w/Sp. H/Per. (327, 396),				
66	Corvette				SCREW , needle lock (Holley 5R-765) (w/3849804),
67-69	Corvette w/H.D. (427)				w/3886091-3925519-3955205-3967481-87-3999263,
67-69	Corvette w/3/2BC,				
70-72	Corvette w/Holley 4BC	3852465	2	.16	

3.820 COMPENSATOR KIT— COVER ASSY.— GASKET— SCREW, Carburetor Idle Air Compensator

63-65	Corvette w/F.I.	7013527	1	4.45	w/7017375-7380
69	Corvette (Roch. 4BC w/T.H. 400) w/H/Per. (427)	7034461	1	3.45	w/7029204-14-23
62-65	Corvette w/H/Per. (327),				
62-63	Corvette w/Sp. H/Per.	1186601	A.R.	.16	GASKET , distribution valve plate assy. (w/3797699-3815403-04-9307-3826004-06-3851761-62-6580-3875966-6749) ...
69	Corvette (Roch. 4BC w/T.H. 400) w/H/Per. (427)	7029865	1	.63	COVER ASSY. , compensator w/7029204 ..
64-65	Corvette w/F.I.	7013341	1	.29	GASKET , compensator (w/7017375-80) ...
69	Corvette (Roch. 4BC w/T.H. 400) w/H/Per. (427)	7020926	2	.11	SCREW , comp. cover

3.822 SCREW— NEEDLE UNIT, Carburetor and Fuel Injection Idle Adjusting

53-55	Corvette (6 cyl.)	1458268	A.R.	.79	(Carter 30A-44)
55-58	Corvette w/4BC,				
62-63	Corvette w/Sp. H/Per.,				
62-64	Corvette w/H/Per. (327)	7011583	2	.79	(Carter 30A-80)
56-61	Corvette w/dual 4BC	3732782	2	1.01	(Carter 30A-67)
57-65	Corvette w/F.I.	7001669	1	.78	adjustment needle (No. 10-32 x 1 ⁵ / ₃₂ " O.L.) ..
64-65	Corvette w/Sp. H/Per. (327, 396),				
66	Corvette				(Holley 15R-40) (w/3849804-3868826-8864-9933-3874898-5964-6741-3882835-4505-6091-6101),
67-69	Corvette w/3/2BC				rear (w/3902355-9872-3925516-171-3940929-30),
67-69	Corvette w/Holley 4BC,				
70	Corvette (Holley 4BC w/E.E.C.) w/Sp. H/Per. (350),				
71	Corvette w/Holley 4BC	2367986	2	.25	w/3972123-3986195-96-3989021
64-65	Corvette w/H/Per. (327)	1470451	2	.89	(w/3851761-62-3875966-6749) (Carter 30A-81)
68	Corvette w/Roch. 4BC	7041612	2	1.85	
69	Corvette w/Roch. 4BC (350, 427) (exc. A.T., Sp. H/Per.)	7041864	1	1.18	w/7029201-03-07-15
69-70	Corvette (Holley 4BC w/Sp. H/Per.) (350) (exc. E.E.C.)	3934263	2	.95	w/3959164-3972121
70	Corvette w/Roch. 4BC	7041621	A.R.		
72	Corvette w/Holley 4BC	6273907	2	.34	w/3999263 (Holley 15R-145)
74	Corvette	7042457	2	.90	
71-72	Corvette w/Roch. 4BC	7041660	1	1.95	NEEDLE UNIT , w/limiter
73*	Corvette	7041716	1		NEEDLE UNIT , w/limiter
75	Corvette	7048531	2	.90	NEEDLE UNIT

3.823 SPRING— LIMITER, Carburetor and Fuel Injection Idle Adjusting Screw

55-65	Corvette w/H/Per., dual 4BC ...	563887	A.R.	.23	Carb. idler (w/3846246-47-3851761-62-55-81-3875966-6749)
64-65	Corvette w/F.I.	7003190	1	.11	lock spring (5 ¹ / ₂ " coils— 1/2" free length) ...
68-75	Corvette w/Roch. 2BC, 4BC	7011479	2	.11	adjusting screw
71-73	Corvette w/Roch. 4BC	7042801	2	.49	LIMITER

3.825 BALL— SPRING— NEEDLE— PLUG, Carburetor Pump Outlet Valve

53-71	Corvette,				
75	Corvette	7002117	1	.05	discharge
69-71	Corvette w/Roch. 4/BC	7029849	1	.78	SPRING , discharge
62-65	Corvette w/H/Per. (327),				

FUEL—EXHAUST—CARBURETION

3.825 BALL— SPRING— NEEDLE— PLUG, Carburetor Pump Outlet Valve (Con't)

62-63	Corvette w/Sp. H/Per.	7000711	A.R.	.70	NEEDLE (Carter 17-51)
72-75	Corvette w/Roch. 4BC	7029849	1	.78	PLUG , carb. pump discharge

3.826 BALL— RETAINER— VALVE ASSY., Carburetor Pump Inlet Valve

56-59	Corvette w/4BC, dual 4BC	1875237	1	.16	valve (Carter 116-13) (St. steel) (pump intake and discharge)
62-65	Corvette w/H/Per. (327)				VALVE ASSY. , check (Carter 122-108S) (w/3815403-04-9207-3810580-6004-06-7324-3851761-62-5581-6580)
62-63	Corvette w/Sp. H/Per.	7013735	A.R.	1.45	

3.838 PLUNGER— COVER ASSY.— DIAPHRAGM ASSY.— HOUSING ASSY.— SCREW, Carburetor (with Leather and Shaft)

53-55	Corvette (6 cyl.)	3710508	2	5.20	w/rod (Carter 203-68S)
58-61	Corvette w/Carter 4BC,				
62-65	Corvette (327) (exc. H/Per., Sp. H/Per., F.I.)	3751523	1	4.45	w/rod (Carter 64-214S)
62-65	Corvette w/H/Per. (327),				
62-63	Corvette w/Sp. H/Per.	1172261	1	4.45	w/spring and rod (Carter 64-209S)
64-65	Corvette (P.G. w/H/Per.) (327) ..	3826599	1		w/spring and rod (Carter 64-284S) (w/3820580-7324-3851762-5581)
68	Corvette (327)	7034111	1	3.25	w/spring and rod w/7028207-8-19
68	Corvette w/H/Per. (427)	7036140	1	3.25	w/7028209-10-11-16-17
69-71	Corvette w/Roch. 4BC (350) ...	7037337	1	3.25	w/7029202-03-07-23-7040202-3-7-13-0502-3-7-13-7041212-13
69	Corvette (Roch. 4BC w/H/Per.) (427)				w/7029204-15,
70-71	Corvette w/Roch. 4BC (454),				
72	Corvette w/Roch. 4BC	7037327	1	3.25	w/7040204-5-0504-05-1204-5
73*	Corvette	7040691	1	3.00	carb.
74-75	Corvette	7047080	1	3.25	carb.
64-65	Corvette w/Sp. H/Per. (327, 396),				
66	Corvette w/Sp. H/Per. (427) ...				COVER ASSY. , pump diaphragm (Holley No. 34R-2752A) (w/3849804-3868826-9933-3885067-6101),
67-69	Corvette w/H.D. (427)				w/3886091-3925519-3955205-3967481-87,
67-69	Corvette w/3/2BC				center (w/3902355-9872-3925516-17-3940929-30),
70-71	Corvette w/Holley 4BC	6263029	A.R.	.32	w/3972121-23
66	Corvette				COVER ASSY. , fuel pump (w/3884505-6091-6101),
67	Corvette w/Holley 4BC,				
72	Corvette w/Holley 4BC	2386309	1		w/3886091-3906631-3-5-7
64-65	Corvette w/Sp. H/Per. (327, 396),				
66	Corvette				DIAPHRAGM ASSY. , fuel pump (w/3884505-6091-6101),
67-72	Corvette w/Holley 4BC,				
67-69	Corvette w/3/2BC	2414214	A.R.	.77	
67-69	Corvette w/3/2BC	3907110	1	3.30	DIAPHRAGM ASSY. , pump (front and rear) (w/3902353)
64-65	Corvette w/Sp. H/Per.	2368960	1	2.05	HOUSING ASSY. , diaphragm secondary (Holley 79R-389)
64-65	Corvette w/Sp. H/Per. (327, 396),				
66	Corvette				SCREW , diaphragm lever adj. (Holley 5R-565) (w/3882835-4505-6091-6101),
67-72	Corvette w/Holley 4BC	2367998	1	.11	w/3986195-3989021-3999263
64-65	Corvette w/Sp. H/Per. (327, 396),				
66	Corvette				SCREW , w/lockwasher, pump cover (Holley 5R-691) (w/3849804-3868826-8864-9933-3874898-5964-6741-3882835-4505-6091-6101-3890499-2341-3986195-3989021)
67-71	Corvette w/Holley Carb.	3852462	4	.11	

3.841 RETAINER— SCREW— SPRING, Carburetor Pump

64-65	Corvette w/Sp. H/Per. (327, 396)	9431762	1	.08	operating lever (8.934)
64-65	Corvette w/Sp. H/Per. (327, 396),				

FUEL—EXHAUST—CARBURETION

		3.841 RETAINER— SCREW— SPRING, Carburetor Pump (Con't)			
66	Corvette				SCREW , cam lock (w/3849804-3868826-8864-9933-3874898-5964-6741-3882835-4505-6091-6101-3986195-3989021-3999263),
67-72	Corvette w/Holley Carb.	3852463	A.R.	.11	
64-65	Corvette w/Sp. H/Per. (327, 396),				
66	Corvette				SCREW , discharge nozzle (w/3849804-3868826-8864-9933-3874898-5964-6741-3882835-4505-6091-6101),
67-69	Corvette w/Holley 4BC,				
67-69	Corvette w/3/2BC	2368034	1	.05	center (w/3902355-9872-3925516-17-3940929-30)
69-72	Corvette w/Holley 4BC	3960391	1	.16	SCREW , carb. pump discharge nozzle
64-65	Corvette w/Sp. H/Per.	2368957	1	.09	SPRING , lever adjusting
64-65	Corvette w/Sp. H/Per. (327, 396),				
66	Corvette				SPRING , diaphragm return,
67	Corvette (A.I.R. w/4BC) (327, 427) (exc. H.D.)				w/3906635-7,
67	Corvette (3/2BC w/P.G.)	2367992	1	.12	center (w/3909872),
65-68	Corvette w/Roch. 4BC	7036672	1	.37	SPRING , pump
67-69	Corvette w/3/2BC	3881434	1	.15	SPRING , diaph. sec'd. front and rear (w/3902353)
66	Corvette				SPRING , pump lever (w/3849804-3868826-8864-9933-3874898-5964-6741-3882835-4505-6091-6101-3999263),
67-72	Corvette w/Holley Carb.	3888872	1	.20	
67	Corvette (327, 427)				SPRING , diaphragm return (w/3886091-3906631-3),
67	Corvette w/3/2BC (exc. P.G.) ...				w/3902355,
68-69	Corvette w/3/2BC				w/3925516-17-3940929-30,
68-72	Corvette w/Holley 4BC	3918878	1	.20	
69-72	Corvette w/Roch. 4BC	7037314	1	.37	SPRING , pump
73	Corvette	7004597	1	.37	SPRING , rtn.
74	Corvette	7041169	1	.37	SPRING , carb. pump return
75	Corvette	7042979	1	.37	SPRING , carb. pump return
		3.842 LEVER— CAM— FITTING— RING— SCREW, Carburetor Pump			
64-65	Corvette w/Sp. H/Per. (327) ...	3869002	1	.70	operating (Holley No 63R-382) (w/3849804)
67-69	Corvette w/Holley Carb.,				
70	Corvette (E.E.C. w/Holley 4BC) w/Sp. H/Per. (350),				
71-72	Corvette w/Holley 4BC	3907115	A.R.	1.25	pump operating (center) (Holley 63R-740) ..
68-69	Corvette w/Roch. 4BC,				
70	Corvette (Roch. 4BC w/H/Per.) (350) (exc. E.E.C.),				
70	Corvette w/Roch. 4BC (454),				
70	Corvette w/Roch. 4BC (350) (exc. H/Per.),				
70	Corvette (Roch. 4BC w/E.E.C.) w/H/Per. (350),				
71-72	Corvette w/Roch. 4BC,				
73*	Corvette	7048028	1		pump actuator
74-75	Corvette	7048169	1	.75	pump actuator
69	Corvette (Holley 4BC w/H.D.) (427)	3962883	1	3.20	carb. pump cam (secondary)
70	Corvette (Holley 4BC w/Sp. H/Per.) (350) (exc. E.E.C.)	3979428	A.R.	1.65	pump oper. (w/3972121)
64-65	Corvette w/Sp. H/Per. (327, 396),				
66	Corvette				CAM , pump (w/3884505-6091-6101),
67-69	Corvette w/H.D. (427)				w/3886091-3925519-3955205,
67-69	Corvette (A.T. w/3/2BC)				center (w/3909872-3925516-3940929-30-3999263),
70-72	Corvette w/Holley 4BC	3852480	A.R.	.36	
66	Corvette				CAM , pump (w/3874898-6747-3882835-4505-6091-3890499-2341),
67	Corvette w/Holley 4BC				w/3886091-3906631-3-5-7,
67-68	Corvette w/3/2BC (exc. A.T.) ...				center (w/3902355-3925517),
69	Corvette w/3/2BC (exc. T.H. 400)	3881437	1	1.25	w/3940929
64-65	Corvette w/Sp. H/Per.,				

FUEL—EXHAUST—CARBURETION

3.842 LEVER—CAM— FITTING— RING— SCREW, Carburetor Pump (Con't)

66	Corvette				FITTING, lever adjusting (Holley 19R-189) (w/3849804-3868826-8864-9933- 3874898-5964-6741-3882835-4505- 6091-6101-3999263),
67-72	Corvette w/Holley 4BC,				
67-69	Corvette w/3/2BC	2368958	A.R.	.17	
67-69	Corvette w/3/2BC				RING, pump operating lever (center) (w/3902355-9872-3925516-17-3940929- 30) (Holley 36R-574),
67-71	Corvette w/Holley 4BC	230207	A.R.	.16	
64-65	Corvette w/Sp. H/Per.,				
66	Corvette				SCREW, lever adjusting (Holley 5R-595) (w/3849804-3868826-8864-9933- 3874898-5964-6741-3882835-4505- 6091-6101-3999263),
67-72	Corvette w/Holley Carb.	2368956	1	.12	

3.843 LINK— ROD, Carburetor Pump Connector

62-65	Corvette w/H/Per. (327),				
62-63	Corvette w/Sp. H/Per.	7015137	1	.25	arm connector (Carter 117-182)
68-69	Corvette w/Roch. 4BC	7032716	1		ROD
70-75	Corvette w/Roch. 4BC	7026138	1	1.25	ROD

3.845 ARM, Carburetor Pump

69	Corvette w/Roch. 4BC	7029993	1	.33	
----	----------------------	---------	---	-----	--

3.852 BAFFLE— RETAINER— SCREW— SHIELD— VALVE, Carburetor Idle Vapor Vent.

64-65	Corvette w/Sp. H/Per. (327, 396),				
66	Corvette				metering body vent. (Holley 59R-37) (w/3882835-4505-6091-6101),
67-69	Corvette w/3/2BC				center,
67-72	Corvette w/Holley 4BC	3852483	1	.67	w/3972121-23-3999263
64	Corvette w/Sp. H/Per.	9414805	1	.10	RETAINER, air vent rod spring— (8.934)
69-70	Corvette w/Roch. 4BC (exc. E.E.C.)	7012548	1	.11	SCREW
68-69	Corvette w/3/2BC (427)				SCREW, w/lockwasher, air vent. rod clamp (w/3940929-30),
69-70	Corvette (Holley 4BC w/Sp. H/Per.) w/E.E.C. (350)	3901002	1	.11	w/3972123
68-70	Corvette w/Roch. 4BC (exc. E.E.C.)	7035431	1	.58	SHIELD, idle vent
69-70	Corvette w/Roch. 4BC (exc. E.E.C.)	7029993	1	.33	VALVE, vent
68-70	Corvette w/Roch. 4BC (exc. E.E.C.)	7036425	1	1.25	VALVE KIT

3.858 VALVE UNIT— COVER— HOUSING— LEVER ASSY.— PISTON— PLATE— SCREW, Carburetor Power

64-65	Corvette w/Sp./H/Per.,				
66	Corvette,				
67	Corvette w/Holley 4BC	3852470	1	1.55	primary (Holley No. 25R-219-65) (w/3849804-3882835-4505-3890499- 2341-3906631-3-5-7)
64-65	Corvette w/Sp./H/Per. (327, 396),				
66	Corvette				pump disc needle (w/3849804-3868826- 8864-9933-3874898-5964-6741- 3882835-4505-6101-3999263),
67-72	Corvette w/Holley Carb.	3852485	A.R.	.30	w/3868826,
65	Corvette (396)				w/3886101
66	Corvette w/Sp. H/Per. (427)				secondary w/3999263
70-72	Corvette w/Holley 4BC	3877167	1	1.70	center (w/3902355-9872-3925516-17- 3940929-30)
67-69	Corvette w/3/2BC	3898991	A.R.	1.55	w/3886091-3925519-3955205-3967481- 87
67-69	Corvette w/H.D. (427)	3904603	1	3.45	
64-65	Corvette w/Sp./H/Per.,				
66	Corvette				COVER, carburetor diaphragm housing (secondary) (Holley No. 34R-1334) (w/3849804-3868826-8864-9933- 3874898-5964-6741-3882835-4505- 6101-3999263),
67-72	Corvette w/Holley 4BC	2368959	1	1.35	

FUEL—EXHAUST—CARBURETION

3.858 VALVE UNIT— COVER— HOUSING— LEVER ASSY.— PISTON— PLATE— SCREW, Carburetor Power (Con't)					
69	Corvette w/3/2BC	3907106	1	2.15	COVER, carb. diaphragm (front and rear) (w/3902353)
66	Corvette				HOUSING, carb. diaphragm (secondary) (Holley 79R-389) (w/3874898-5964-6741-3882835-4505-6101-3999263), ...
67-72	Corvette w/Holley 4BC	2368960	1	2.05	
67-69	Corvette w/3/2BC	3907116	1	2.85	HOUSING, carb. diaphragm (front and rear)
64-65	Corvette w/Sp, /H/Per. (327, 396),				
66	Corvette				LEVER ASSY., carb. diaphragm (Holley No. 63R-354A) (w/3849804-3868826-8864-9933-3874989-5964-6741-3882835-4505-6091-6101-3999263), ...
67-72	Corvette w/Holley 4BC	3869001	1	.39	
67-69	Corvette w/3/2BC	3910323	1	1.25	LEVER ASSY., carb. diaphragm
62-65	Corvette w/H/Per. (327)				PISTON, step up (w/3760264-4593-3772600-3795596-7699-3815403-04-9207-3820580-6004-06-7324-3851761-62-5581-6580-3875966-6749)
62-63	Corvette w/Sp. H/Per.	1195596	A.R.	1.20	
68-74	Corvette w/Roch. 4BC	7034903	1	1.75	PISTON
75	Corvette	7041460	1	1.90	PISTON
62-65	Corvette w/H/Per. (327)				SCREW, w/washer (step up piston cover plate) (w/3795566-7699-3815403-5405-9207-3820580-6004-06-7324), (3851761-62-5581-6580)
62-63	Corvette w/Sp. H/Per.	3889745			SCREW, housing (front and rear) (w/3902353)
67-69	Corvette w/3/2BC	3910222	3	.21	
3.859 SPRING, Carburetor Power Piston					
62-65	Corvette w/H/Per. (327)				(power vac. piston) (Carter 61-485) (w/3650264-4593-3772600-3795566-7698-99-3815403-04-9207-3820580) diaphragm (secondary) (Holley No. 38R-597) (w/3849804-3884505-3890499-2341), ...
62-63	Corvette w/Sp. H/Per. (327)	3767242	2	.25	
64-65	Corvette w/Sp. H/Per. (327)				
66	Corvette (exc. 427 H/Per.)				w/3906631-3-5-7
66	Corvette (H/Per. w/A.I.R.) (427),				diaphragm (secondary) (Holley 38R-585) (w/3868826-3886101), ...
67	Corvette w/Holley 4BC	3867992	1	.70	
65-66	Corvette w/Sp. H/Per. (396, 427)				w/3923289-5519-3955205-3999263, ...
67-69	Corvette (Holley 4BC w/H.D.) (427)				
70-72	Corvette w/Holley 4BC	3877148	1	.45	
69-74	Corvette w/Roch. 4BC	7036019	1	.28	(power piston)
75	Corvette	17052057	1	.37	(power spring)
3.870 DIAPHRAGM ASSY.— WIRE, Carburetor Governor					
68	Corvette (Holley 4BC w/H.D.) (427)	2367971	A.R.	1.80	(3.838)
68-69	Corvette (Holley 4BC w/H.D.) (427)	2285835	2	.10	WIRE, cover
3.890 FILTER ASSY.— FILTER KIT— ADAPTER— BOWL— BRACKET— CLAMP ASSY.— ELEMENT— GASKET, Carburetor and Fuel Injection					
53-61	Corvette (exc. F.I.),				
62	Corvette w/H/Per., Sp. H/Per.	854444	1	4.75	(AC-GF-48) (carb. mtg.)
65-66	Corvette w/Sp. H/Per. (396, 427)	5651146	1	5.16	(AC-GF-416)
66	Corvette w/Roch. Carb. (327)	854583	1	3.55	inline (AC-GF-61)
67	Corvette w/Roch. Carb. (427)	854619	1	3.35	in line (AC-GF-61P)
68-69	Corvette (exc. 427 Sp. H/Per., H.D.)	5651480	1	7.24	fuel (AC-GF-432)
59-62	Corvette w/F.I.	7017219	1	5.60	FILTER KIT, w/adaptor (w/7017200-7250-7300-7310-7320-7355-7360)
63-66	Corvette w/H/Per., Sp. H/Per., F.I.	5650899	1	7.76	FILTER KIT (Note 1)
<i>NOTE 1 If 1/8" vent opening is not required, crimp and solder.</i>					
53-61	Corvette (exc. F.I.),				
62	Corvette w/H/Per., Sp. H/Per.	854237	1	.58	BOWL (AC-CF-20) (glass)
64-65	Corvette w/Sp. H/Per., F.I.	3834122	1	7.50	BRACKET, filter mtg. (chrome)
68-69	Corvette (exc. 427, Sp. H/Per., 350)	3932342	1	.79	CLAMP ASSY., filter
53-61	Corvette (exc. F.I.),				

FUEL—EXHAUST—CARBURETION

3.890 FILTER ASSY.— FILTER KIT— ADAPTER— BOWL— BRACKET— CLAMP ASSY.— ELEMENT— GASKET, Carburetor and Fuel Injection (Con't)

62	Corvette w/H/Per., Sp. H/Per.	854347	1	2.24	ELEMENT, w/gasket (AC-GF-124)
59-61	Corvette w/F.I.	3770255	1	1.55	ELEMENT (Purolator 66202)
53-61	Corvette (exc. F.I.),				
62	Corvette w/H/Per., Sp. H/Per.	854390	1	.08	GASKET, strainer (AC-CF-132) (cork)
53-61	Corvette (exc. F.I.),				
62	Corvette w/H/Per., Sp. H/Per.	854389	1	.13	GASKET, filter bowl (AC-106) (cork)

3.900 PUMP ASSY., Fuel, with Gasket

55	Corvette (8 cyl.)	6414447	1	12.45	w/gasket (AC-6935)
56-58	Corvette	5621638	1	22.95	stamped 4445-4656 or 4663)
59-63	Corvette,				
64-65	Corvette (exc. Sp. H/Per., F.I., 396)	6415616	1	13.54	
64-65	Corvette w/H/Per., Sp. H/Per., F.I. (327),				
66	Corvette	6415325	1	21.43	(Note 1)
<i>NOTE 1 When using in place of 5621665, discard elbow and front pipe at inlet side, install new pump, bend existing gas pipe assy. to fit outlet in pump, install connector 3855147 in inlet of pump with connector tube pointing upward and assemble existing hose and clamp to connector.</i>					
65	Corvette (396),				
66	Corvette (427)	6416245	1	15.13	
67	Corvette (427),				
68-69	Corvette w/H.D. (427),				
68-69	Corvette w/3/2BC	6416741	1	15.35	(type— 40482)
67	Corvette (327)	6416712	1	11.64	(type— 40503)
68-69	Corvette (4/BC w/H/Per.) (427)	6470106	1	16.08	(type— 40718)
68-69	Corvette (327, 350) (exc. Sp. H/Per.),				
69-72	Corvette w/Sp. H/Per. (350)	6470110	1	15.83	(type 40709)
70-74	Corvette w/4BC (454)	6470309	1	17.10	(type 40770)
70-72	Corvette (350) (exc. Sp. H/Per.),				
70-75	Corvette (350)	6470308	1	17.10	(type 40769)

3.901 PLATE— SCREW, Fuel Pump Mounting

55-66	Corvette (8 cyl.) (exc. 396),				
67-75	Corvette (327, 350)	3719599	1	.78	(4 attach. holes— one large slot)
59-66	Corvette (8 cyl.)	3751842	2	.15	SCREW, w/lockwasher (3/8"— 16 x 1 1/8") (washer hd.)
65	Corvette	3862716	1	.15	SCREW, lw. asm. (3/8"— 16 x 1)
65-69	Corvette,				
72-74	Corvette (454)	3874876	2	.15	SCREW (3/8"— 16 x 1 1/8") w/lockwasher
72-75	Corvette (350)	3895411	2	.10	SCREW, w/lockwasher (3/8"— 16 x 1 7/16")

3.903 BAIL, Fuel Pump

53-61	Corvette w/carb. mtg. filter,				
62	Corvette w/H/Per., Sp. H/Per.	5590153	1	.60	less nut (3 1/16" O.L.) (AC-FP-2)

3.904 GASKET— DIAPHRAGM— RETAINER— SEAL, Fuel Pump Bowl and Mounting

53-55	Corvette (6 cyl.)	3701796	1	.01	mtg., flange (2 attach. holes— one small slot)
55-56	Corvette (8 cyl.),				
67-76	Corvette	9776705	1	.05	mtg., flange (2 attach. holes— one small slot)
55-65	Corvette (8 cyl.) (exc. 396),				
67-75	Corvette (327, 350)	3705044	1	.11	mounting plate (4 attach. holes— one large slot)
55-59	Corvette (8 cyl.) (exc. dual 4BC)	5593898	1	.26	DIAPHRAGM (rubber— 1/4" I.D. x 3 O.D.) (used as gasket)— (3.910)
52-55	Corvette (6 cyl.),				
55-66	Corvette (8 cyl.)	5620995	A.R.	.10	RETAINER, fuel (16/32" I.D. x 1 O.D.) (5/32" thick)
52-55	Corvette (6 cyl.),				
55-56	Corvette (8 cyl.),				
65-66	Corvette	5592331	A.R.	.24	SEAL, fuel and vacuum diaphragm pull rods

3.910 DIAPHRAGM, Fuel Pump Pulsator

55-56	Corvette (8 cyl.)	5593898	1	.26	(rubber— 1/4" I.D. x 3 O.D.)
-------	-----------------------------	---------	---	-----	--

3.925 KIT— DIAPHRAGM UNIT, Fuel and Vacuum Pump Repair

58-65	Corvette	5622175	1	5.40	(AC-R-467) (w/4430-4432-4445-4656-4657-4662-4663-4665-4701-5661-5594657-4701-5656942)
-------	--------------------	---------	---	------	---

FUEL—EXHAUST—CARBURETION

3.925 KIT— DIAPHRAGM UNIT, Fuel and Vacuum Pump Repair (Con't)

64-66	Corvette w/F.I., Sp. H/Per., C.A.C.	6415462	1	3.42	w/6440083
58-59	Corvette,				
60-65	Corvette (283, 327)	5622176	1	4.09	DIAPHRAGM UNIT, fuel pump (type AC-D-337) (w/4701)

3.927 SPRING, Fuel Pump Rocker Arm

58	Corvette (8 cyl.) (exc. 3/2BC),				
59-66	Corvette (8 cyl.)	5621566	1	.15	(15 coils) (1 ³ / ₄ " free length) (painted yellow)

3.935 ROD, Fuel Pump

55-75	Corvette (8 cyl.)	3704817	1	2.02	(1/2" dia. x 5 ³ / ₄ " long)
--------------	-------------------------	----------------	----------	-------------	--

GROUP 4.000
TRANSMISSION



3-SPEED TRANSMISSION

4.003 TRANSMISSION ASSY. (Less Hand Brake)				
67-70	Corvette	3968036	1	
4.004 KIT— CONTROL ASSY., Transmission Gearshift				
58-63	Corvette	3838375	1	13.10 thrust washer and needle brg.
64-65	Corvette	3858809	1	11.45 thrust washer and needle brg.
66-70	Corvette	3886339	1	7.20 thrust washer and needle bearing
68-70	Corvette	3960607	1	57.60 CONTROL ASSY., w/lever and bracket
4.005 GASKET UNIT, Transmission				
55-65	Corvette	3719636	1	.51 (Note 1)
<i>NOTE 1 Consists of 1 transmission cover gasket, 1 clutch gear bearing retainer gasket, 1 transmission extension gasket and 1 "O" ring seal.</i>				
66-70	Corvette	3886338	1	1.02 (Note 2)
<i>NOTE 2 Consists of 1 trans. extension gasket, 1 trans. cover gasket, 1 clutch gear bearing retainer gasket, and 1 "O" ring seal.</i>				
4.006 LEVER— HANDLE— KNOB, Gearshift Control (Hand)				
55-63	Corvette	3760703	1	25.50 control
68-70	Corvette	3921624	1	22.25 HANDLE, reverse, w/cable
59-63	Corvette	3760085	1	13.10 KNOB (white plastic)
55-62	Corvette	390749	1	4.05 KNOB (black bakelite)
63	Corvette	3921146	1	4.40 KNOB, control lever
64-69	Corvette	3857160	1	3.55 KNOB, control lever
4.008 PIN— PLATE— SLEEVE— SPACER— SPRING— WASHER, Gearshift Control Hand Lever				
58-63	Corvette	542967	1	.59 control lever
68-70	Corvette	3921634	1	.15 1st and reverse rod clevis
55-64	Corvette	3723123	1	1.79 PLATE, hand lever guide
58-63	Corvette	3758912	1	.17 SLEEVE, control lever (plastic)
64-70	Corvette	3851766	1	6.10 SPACER, control lever interlock— (4.027)
53-54	Corvette	3654731	1	.17 SPRING, pivot pin (Note 1)
<i>NOTE 1 Used on all models having a strg. col. control.</i>				
64-67	Corvette	3851767	1	1.35 SPRING, control lever
64-66	Corvette	3841726	1	.11 WASHER, control lever
64-67	Corvette	3851780	1	.17 WASHER, control lever spring
4.010 SUPPORT— BRACKET— EXTENSION— HOUSING— PLATE— SHROUD— TUBE ASSY., Gearshift Hand Lever				
<i>For floor shift models not using strg. column shift lever housing, see Group 6.518 for equivalent part, listed as a cover, jacket extension, housing, etc.</i>				
68-70	Corvette	334943	1	4.75 control lever and bracket
64-69	Corvette	3936246	1	8.40 BRACKET UNIT, control lever
66-67	Corvette	3888263	1	2.15 BRACKET ASSY., cont. lever and bracket adapter
70	Corvette w/Tel., T.W.	7808409	1	6.90 EXTENSION, control lock tube
69-70	Corvette (exc. T.W., Tel. W.)	7811390	1	12.30 HOUSING, steering col. trans. control lock tube
64-65	Corvette	3846848	1	2.55 PLATE, cont. lever and bracket adapter
66	Corvette	3887440	1	2.15 PLATE, cont. lever and bracket adapter
70	Corvette (exc. T.W.)	7807691	1	1.00 PLATE, shift tube lock
69-70	Corvette (exc. Tel., T.W.)	7808046	1	6.95 SHROUD
69	Corvette w/Tel., T.W.	7805702	1	36.00 TUBE ASSY., control lock
4.012 SCREW— WASHER, Gearshift Hand Lever Housing				
64-65	Corvette	3846849	3	.20 trans. control lever and bracket adapter (³ / ₈ "— 16 x ⁷ / ₈ ")
69-70	Corvette (exc. T.W., Tel. W.)	7810242	2	.72 lock tube, lock plate (8— 32 x ¹⁷ / ₃₂ ")
69-70	Corvette (exc. T.W., Tel. W.)	7804407	1	.22 str. column shift lever detent plate
67-69	Corvette (exc. T.W.)	7800580	1	.31 WASHER, steering shaft upper retainer ring thrust
67-68	Corvette (exc. T.W.)	7800581	1	.35 WASHER, steering shaft upper retainer ring wave
69	Corvette w/T.W.	3886319	1	.29 WASHER, strg. column supt. thrust
69	Corvette w/T.W.	3884595	1	.19 WASHER, strg. column supt. wave
69-70	Corvette (exc. T.W.)	7804447	1	.54 WASHER, strg. column shift lever housing brg. wave
4.015 SEAL— BOOT— PLATE, Lever Hand (Floor Mounted)				
55-62	Corvette	3751130	1	1.44 control lever
63	Corvette	3823347	1	4.50 control lever
64-67	Corvette	3866183	1	2.75 control lever (Note 1)
<i>NOTE 1 Used with vinyl ring in carpet.</i>				
68-70	Corvette	3919731	1	3.95 BOOT, control lever lower
68-70	Corvette	3977797	1	7.25 BOOT, control lever upper

3-SPEED TRANSMISSION

4.015 SEAL— BOOT— PLATE, Lever Hand (Floor Mounted) (Con't)

68-70 Corvette 3922318 1 1.15 PLATE, control lever lower boot tapping ...

4.017 PLATE— NUT, Transmission Gearshift Hand Lever (Floor Mounted)

56-62 Corvette 3728940 1 3.35 lever and ash tray trim
 64-67 Corvette 3900308 1 35.95 lever and ash tray trim (Note 1, 2)

NOTE 1 It may be necessary to paint to match.

NOTE 2 It may be necessary to cut and tap a hole in the plate when used on electric window models.

68-70 Corvette (exc. C.A.C.) 6260510 1 13.15 tunnel, front console trim (Note 3)
 69 Corvette 3958741 1 1.60 console trim, eng. spec. (350 cu. in.-300 hp.)

69-70 Corvette w/C.A.C. 6260514 1 18.10 PLATE ASSY., tunnel front console trim (Note 3)

NOTE 3 It may be necessary to drill 2 .18 inch holes in rr. corners for attachment & plug 2 existing holes at lettering location.

67 Corvette (Conv.) 3840110 A.R. .11 NUT, trans. trim plate (10-16) control actuator lever boot

4.020 PLATE, Transmission Control Selector

56-62 Corvette 3739315 1 .85 selector
 63-67 Corvette 3848292 1 .80 selector
 68-70 Corvette 3918579 1 1.60 selector

4.025 SHAFT— TUBE ASSY., Gearshift Control

64-70 Corvette 3841490 A.R. 2.05 control, shifter lever
 69-70 Corvette w/T.W. 7805162 1 24.10 TUBE ASSY., strg. col. shifter
 69-70 Corvette (exc. T.W., Tel. W.) 7805747 1 25.00 TUBE ASSY., strg. col. shifter
 70 Corvette w/T.W. 7805702 1 36.00 TUBE ASSY., strg. col. trans. control lock tube

4.027 INTERLOCK— PIN— RETAINER— RING— SCREW— SPACER— SPRING— WASHER, Control Shaft or Tube

64-70 Corvette 3846900 1 2.15 control reverse lever (5/64" thk.)
 64-70 Corvette 3846901 1 .90 control reverse lever (5/64" thk.)
 58-60 Corvette,
 62-64 Corvette 3783860 A.R. 1.40 PIN, control shaft lever (beveled ends— 3 grooves) (1/4" x 1")
 65-69 Corvette 3841725 1 .39 RETAINER, control shifter lever shaft
 69-70 Corvette w/T.W. 7804907 1 .44 RING, support and shift tube retainer
 69-70 Corvette (exc. T.W.) 7806109 1 1.05 SCREW, column shift tube index
 64-70 Corvette 3851766 1 6.10 SPACER, control lever
 69-70 Corvette (exc. T.W.) 7804446 1 .81 SPRING, shift tube thrust
 69-70 Corvette (exc. T.W.) 7807427 1 .44 WASHER, shift tube thrust

4.030 LEVER— BRACKET, Transmission Gearshift Shaft or Tube (Lower)

56-63 Corvette 3742938 2 3.71
 68-69 Corvette 3850111 1 2.81 (2nd and 3rd)
 68-70 Corvette 3841488 1 4.07 control shaft (1st and 2nd)
 64-70 Corvette 3846844 1 3.82 BRACKET, control shifter lever

4.032 RETAINER, Gearshift Shaft or Tube Lever

65-69 Corvette 3841725 1 .39 control lever— (4.027)

4.035 ROD, Transmission Gearshift

55-63 Corvette (8 cyl.) 3723128 1 1.65 1st and reverse (15 3/32" dev. length)
 55-63 Corvette (8 cyl.) 3723129 1 1.65 2nd and 3rd (16 1/2" dev. length)
 68-70 Corvette 3921630 1 1.35 1st and reverse
 68-70 Corvette 3921631 1 2.25 2nd and 3rd

4.037 CLEVIS— NUT— SPRING— SWIVEL— WASHER, Gearshift Rod to Lever

55-58 Corvette control rod,
 62-63 Corvette 3759055 A.R. 1.08 control long rod (3/8"— 24 thd. w/5/16" hole) (2 3/32" O.L.)
 64-67 Corvette 3898266 1 1.01 control rod
 68-70 Corvette 3921633 1 2.11 control rod, 1st and reverse
 62-68 Corvette 3840137 1 .12 NUT, control rod clevis (7/16"— 20)— (4.253)
 53-57 Corvette 371704 A.R. .10 SPRING, anti-rattle, control rod (coil type) ..
 64-67 Corvette 3843014 A.R. .54 SWIVEL, control rod
 56-70 Corvette 9415113 A.R. .10 WASHER, control rod swivel (9/16" I.D. x 7/8" O.D.)
 64-69 Corvette 382105 A.R. .11 WASHER, control upper rod to trans. control shifter tube lever (26/16" I.D. x 3/4" O.D.)

3-SPEED TRANSMISSION

4.045 LEVER, Transmission Mounted Gearshift (External)

NOTE 1 When using on 1963 Corvette with backing lamp use original lever as template & drill hole at shaft end.

68-70	Corvette	3949079	1	2.00	LEVER ASSY., 1st and reverse, 2nd and 3rd.
-------	----------	---------	---	------	--

4.052 CLIP— SWIVEL, Transmission Throttle Valve Control

55-69	Corvette	3711177	A.R.	.26	lower and upper, front rod— (3.425)
65-67	Corvette	3700188	1	.27	special— (3.425)
55-67	Corvette	3711199	A.R.	.27	SWIVEL, throttle valve control (use w/1/4" rod)— (3.425)

4.054 SWITCH ASSY.— BUSHING— ROD— SWIVEL, Transmission Control Safety

69-70	Corvette	1993495	1	7.50	clutch operated neutral start
69-70	Corvette	3954290	1	.15	BUSHING, clutch operated neutral start switch
69-70	Corvette	3954299	1	1.25	ROD, clutch operated neutral start switch
68-69	Corvette	348032	A.R.	.78	SWIVEL, control rod 2nd and 3rd

4.070 BRACKET— CABLE ASSY.— RETAINER, Transmission Control Lock Cable

69-70	Corvette	3949081	1	.64	control lock cable
69-70	Corvette	3949076	1	1.60	BRACKET ASSY., control lock cable
69-70	Corvette	3949073	1	7.95	CABLE ASSY., control lock (2 1/8")
62-65	Corvette				RETAINER, to frame front anchor, front and rear
63-70	Corvette	3875092	A.R.		

4.075 SWITCH ASSY.— RELAY ASSY., Transmission Smog Control

NOTE See 2.408 group for electrical parts.

70	Corvette	3961587	1	2.75	control spark
70	Corvette	3961573	1	2.59	RELAY ASSY., control spark

4.081 SUPPORT— MEMBER— MOUNTING ASSY., Transmission Mounting

53-62	Corvette	3706152	1	4.75	MEMBER (forged 3706152)— (7.012)
63	Corvette	3870182	1	4.10	MOUNTING ASSY. (daub of orange paint) (molded 3870182) (Note 1)

NOTE 1 3/4" between center lines of bolt holes

64-70	Corvette	3913498	1	4.25	MOUNTING ASSY. (support)
-------	----------	---------	---	------	--------------------------

4.083 BRACKET— RETAINER, Transmission Mounting

68-70	Corvette	3913878	R.H.	1.93	cross member
68-70	Corvette	3913877	L.H.	1.93	cross member
53-62	Corvette	3706149	1	1.60	RETAINER

4.085 SPACER, Transmission Mounting Support

69	Corvette w/side mounted exh.	3949179	1	.64	mounting
----	------------------------------	---------	---	-----	----------

4.103 CASE, Transmission

64-65	Corvette	3866696	1	43.45	w/plugs
66-70	Corvette	6273247	1	48.10	w/magnet

4.104 SHIM UNIT— VENT. ASSY., Transmission Case

53-69	Corvette	3887055	A.R.	.63	to clutch hsg. (4-002, 2-005 and 1-010 shims)
58-68	Corvette	3820840	1	.35	VENT. ASSY. (5.387)

4.105 COVER— MAGNET UNIT, Transmission Case

56-63	Corvette	3731900	1	14.25	scissors type (cast 3731911)
58-65	Corvette	3849534	1	6.35	
66-69	Corvette	3919365	1	9.70	(stamped 3919365)
68	Corvette	3924759	1	21.15	
70	Corvette	338287	1	13.85	
55-64	Corvette	3869240	1	1.32	MAGNET UNIT, case chip collector

4.109 GASKET, Transmission Case Cover

55-65	Corvette	591513	1	.22	(fiber)
66-70	Corvette	3858990	1	.31	

4.303 FORK, Gearshift

55-56	Corvette (1st design)	3845045	1	4.95	1st and reverse (less shaft) (hollow drilled)
56-65	Corvette (2nd design)	3731918	1	5.50	1st and reverse (less shaft)
56-65	Corvette	3785217	1	2.61	2nd and 3rd (less shaft)
66-70	Corvette	3858997	A.R.	6.35	

4.307 INTERLOCK— LOCK— RETAINER— STUD, Gearshift

55-65	Corvette	3686833	1	.78	(3/4" x 7/32" x 4 5/8"— "S" shape)
-------	----------	---------	---	-----	------------------------------------

3-SPEED TRANSMISSION

4.307 INTERLOCK— LOCK— RETAINER— STUD, Gearshift (Con't)

60-65	Corvette	591539	2	.05	LOCK, interlock ret. stud nut
55-65	Corvette	591538	1	.22	RETAINER (1/2" x 4-1/6" O.L.)
55-65	Corvette	591537	2	.29	STUD, retainer (1 1/2" O.L. w/2 thd. ends)

4.309 SHAFT, Gear Shifter

NOTE 1 When using 3750562, 3869906 cam must also be used.

64-65	Corvette	3840454	1	6.35	SHAFT ASSY., w/plate, first and reverse
64-65	Corvette	3840456	1	10.40	SHAFT ASSY., w/plate, second and third
66-67	Corvette	3858994	A.R.	4.49	SHAFT ASSY., 3rd and 4th
68-69	Corvette	3932234	2	4.92	SHAFT ASSY. (Note 2)

NOTE 2 Use one as 1st and reverse shift shaft Assy. Use one as 2nd and 3rd shift shaft Assy.

70	Corvette	3953649	1	13.55	SHAFT ASSY., 2nd and 3rd
----	----------	---------	---	-------	--------------------------

4.311 CAM— PIN— SHAFT— SPRING, Gearshift Detent

58-65	Corvette	3869906	1	.78	2nd and 3rd
56-65	Corvette	3869904	1	.78	1st and reverse detent
66-70	Corvette	3911919	A.R.	.82	detent
66-70	Corvette	3831715	1	.19	PIN, detent cam
56-65	Corvette	3731912	1	.22	SHAFT, cam detent (scissors type) (9/8" O.L.)
53-56	Corvette (1st design)	591796	2	.11	SPRING, shifter fork (9/32" O.D. 15 coils)
56-65	Corvette (2nd design)	3737068	1	.17	SPRING, cam detent (scissors type) (1 1/8" long— 14 coils)
66-69	Corvette (427)	3831718	1	.19	SPRING, detent cam

4.312 RING— ROLLER— WASHER, Gear Shifter Shaft and Fork (Yoke)

53-56	Corvette	591779	2	.10	fork, retainer
56-61	Corvette	9416094	2	.10	fork, retainer (9/16" dia. shaft)— (8.934)
56-65	Corvette	3731920	2	.17	ROLLER, shifter fork (scissors type) (9/16" I.D. x 5/16" O.D.)
56-65	Corvette	3731921	2	.11	WASHER, shaft (scissors type) (9/16" I.D. x 3/4" O.D.)

4.313 SEAL, Transmission Internal Selector Shaft

55-65	Corvette	3845164	2	.21	"O" ring, rubber (7/16" I.D. x 17/32" O.D.)
66-70	Corvette	3844036	A.R.	.13	shifter shaft, all locations

4.317 EXTENSION, Transmission Rear Main Bearing

55-62	Corvette (8 cyl.)	3787066	1	23.55	w/bushing
63-65	Corvette	3855709	1	25.50	EXTENSION ASSY., w/bushing (cast 3707195) (Note 1)

NOTE 1 On models prior to 1963 it will be necessary to use speedometer fitting 3748533 in Group 4.338.

66-70	Corvette	6261883	1	32.05	EXTENSION ASSY.
-------	----------	---------	---	-------	-----------------

4.318 GASKET— SEAL ASSY., Transmission Rear Bearing Retainer

55-65	Corvette	3707172	1	.05	extension (5 holes 15/16" I.D.)
66-70	Corvette	3876752	1	.13	extension
55-63	Corvette (8 cyl.)				
66-70	Corvette	1243402	1	2.69	SEAL ASSY., extension oil

4.319 BUSHING— BOLT, Transmission Rear Main Bearing

55-70	Corvette	6260048	1	.70	extension (1 1/2" I.D. x 1 5/8" O.D.)
-------	----------	---------	---	-----	---------------------------------------

4.329 ADAPTER, Speedometer

NOTE For Model application, use speedometer gear chart.

53-70	Corvette	3890575	1	25.10	(stamped .8319)
53-70	Corvette	3925673	1	16.65	(stamped 1.1111-V)
53-70	Corvette	3932220	1	15.40	(stamped .7333A)

4.330 KEY, Speedometer Adapter

53-65	Corvette	867209	1	1.04	(also included w/adapters 1565811-12-13-14-1580273-3876)
-------	----------	--------	---	------	--

4.337 GEAR, Transmission Speedometer Driven Gears (Only)

NOTE For further usage see speedometer gear charts.

56-60	Corvette w/3.70 axle	3708699	1	.92	(22 teeth) (nylon) (solid green)
56-60	Corvette w/4.11 axle	3708143	1	.86	(24 teeth) (nylon) (solid yellow)
56	Corvette w/3.27 axle	3726645	1	1.01	(7.00 x 15) (19 teeth— steel)
57-60	Corvette w/4.56 axle	3845071	1	2.75	(6.70 x 15, 15 x 5.50) (20 teeth— steel)
61-64	Corvette w/4.11 axle				(6.70 x 15),
65-66	Corvette w/4.10 axle				(7.75 x 15, 8.15 x 15) (yellow— 24 teeth),
67	Corvette w/4.10 axle	3860347	1	1.01	(8.15 x 15, 8.45 x 15)
61-62	Corvette w/4.56 axle				(6.70 x 15),
65-66	Corvette w/4.56 axle				(7.75 x 15),
67	Corvette w/4.56 axle	3860329	1	2.03	(8.15 x 15) (20 teeth— steel)
61-64	Corvette w/3.36 axle				(6.70 x 16),

3-SPEED TRANSMISSION

4.337 GEAR, Transmission Speedometer Driven Gears (Only) (Con't)

65-66	Corvette w/3.36, 3.31 axle				(7.75 x 15, 8.15 x 15) (blue— 20 teeth),
67	Corvette w/3.36 axle				(8.15 x 15, 7.75 x 15, 8.45 x 15),
67	Corvette w/3.31 axle	3987920	1	.90	(8.15 x 15)
61-66	Corvette w/3.08 axle				(6.70 x 15, 7.10 x 15, 7.75 x 15),
65-66	Corvette w/3.07 axle				(7.75 x 15),
67	Corvette w/3.07 axle				(8.15 x 15, 8.45 x 15, 6.70 x 15),
67	Corvette w/3.08 axle				(8.15 x 15, 8.45 x 15),
67	Corvette w/2.73 axle	3987918	1	.95	(8.15 x 15, 8.45 x 15) (brown— 18 teeth)
61-64	Corvette w/3.70 axle				(6.70 x 15),
67	Corvette w/3.55 axle				(7.75 x 15),
67	Corvette w/3.70 axle				(7.75 x 15),
67	Corvette w/3.73 axle	3860345	1	.95	(8.15 x 15, 8.45 x 15) (green— 22 teeth)
63-64	Corvette w/3.55 axle				(6.70 x 15),
65-66	Corvette w/3.55 axle				(7.75 x 15, 8.15 x 15)
67	Corvette w/3.55 axle				(8.15 x 15, 8.45 x 15),
67	Corvette w/3.70 axle				(8.45 x 15)
67	Corvette w/3.73 axle	3860346	1	1.01	(black— 23 teeth)
65	Corvette w/2.73	1359273	1	1.09	(7.75 x 15, 8.15 x 15) (brown— 39 teeth)
					(Note 2)
<i>NOTE 2 Used selectively.</i>					
67	Corvette w/4.10 axle	3860348	1	.95	(7.75 x 15) (25 teeth— orange)
67	Corvette w/4.56 axle	3860033	1	2.90	(7.75 x 15) (21 teeth)
67	Corvette w/3.07 axle,				
67	Corvette w/3.08 axle				(7.75 x 15),
67	Corvette w/3.31 axle				(8.45 x 15),
67	Corvette w/2.73 axle	3987919	1	.90	natural— 19 teeth

DRIVEN GEAR

PART NO.	DRIVEN GEAR TEETH	COLOR CODE	PART NO.	DRIVEN GEAR TEETH	COLOR CODE
1359273	39	Brown	3987919	19	Natural
3708143	24	Yellow	3860344	21	Red
3708699	22	Green	3860345	22	Green
3726645	19		3860346	23	Black
3845071	20		3860347	24	Yellow
3860033	21		3860348	25	Orange
3860329	20		3987920	20	Blue
3987918	18	Brown			

3-SPEED TRANSMISSION

1968 CORVETTE SPEEDOMETER GEAR CHART

NOTE: To order Speedometer Gears or Parts, Transmission Type, Rear Axle Ratio and Tire Size must be known.

REAR AXLE RATIO	TIRE SIZE	4.343 GEAR, SPEEDO. DRIVE	4.337 GEAR, SPEEDO. DRIVEN	4.329 ADAPTER, SPEEDO.
2.73	8.15 x 15, 8.45 x 15, G70 x 15	3905494	3987918	—
3.07	8.15 x 15, 8.45 x 15, G70 x 15	3924098	3987918	—
3.07	F70 x 15	3924098	3987919	—
3.08	8.15 x 15, 8.45 x 15, G70 x 15	3924098	3987918	—
3.08	F70 x 15	3924098	3987919	—
3.31	8.45 x 15	3924098	3987919	—
3.31	8.15 x 15, F70 x 15, G70 x 15	3924098	3987920	—
3.36	8.15 x 15, F70 x 15, G70 x 15	3924098	3987920	—
3.55	8.15 x 15, 8.45 x 15, G70 x 15	3924098	3860344	—
3.55	F70 x 15	3924097	3860345	—
3.70	8.15 x 15, F70 x 15, G70 x 15	3924097	3860345	—
3.70	8.45 x 15	3924098	3860344	—
3.73	8.15 x 15, 8.45 x 15, G70 x 15	3924097	3860345	—
3.73	F70 x 15	3924097	3860348	—
4.10	8.15 x 15, 8.45 x 15, G70 x 15	3924097	3860347	—
4.56	8.45 x 15	3924097	3860345	3890575
4.56	8.15 x 15, G70 x 15	3924097	3860346	3890575
4.89	8.15 x 15, 8.45 x 15, G70 x 15	3924097	3860347	3890575

3-SPEED TRANSMISSION

1969 CORVETTE SPEEDOMETER GEAR CHART

NOTE: To order Speedometer Gears or Parts, Transmission Type, Rear Axle Ratio and Tire Size must be known.

REAR AXLE RATIO	TIRE SIZE	4.343 GEAR, SPEEDO. DRIVE	4.337 GEAR, SPEEDO. DRIVEN	4.329 ADAPTER, SPEEDO.
2.56	F70 x 15, G70 x 15, G78 x 15	3924099	3987919	3925673
2.73	G70 x 15, G78 x 15, 8.25 x 15, 8.55 x 15	3924099	3987918	—
2.73	F70 x 15	3924099	3987919	—
3.07	8.25 x 15, G70 x 15, G78 x 15	3924098	3987918	—
3.07	8.55 x 15	3924099	3987920	—
3.07	E70 x 15, F70 x 15	3924099	3860344	—
3.08	8.55 x 15, G70 x 15, G78 x 15	3924098	3987918	—
3.08	8.25 x 15, F70 x 15	3924099	3860344	—
3.31	8.55 x 15	3924098	3987919	—
3.31	8.25 x 15, E70 x 15, F70 x 15, G70 x 15, G78 x 15	3924098	3987920	—
3.36	8.15 x 15, 8.55 x 15, F70 x 15, G70 x 15, G78 x 15	3924098	3987920	—
3.55	8.25 x 15, 8.55 x 15, G70 x 15, G78 x 15	3924098	3860344	—
3.55	E70 x 15, F70 x 15	3924097	3860345	—
3.73	8.25 x 15, 8.55 x 15, G70 x 15, G78 x 15	3924097	3860345	—
3.73	E70 x 15, F70 x 15	3924097	3860346	—
4.10	8.25 x 15, 8.55 x 15, G70 x 15, G78 x 15	3924097	3860347	—
4.56	8.55 x 15	3924098	3987919	3932220
4.56	8.25 x 15, G70 x 15, G78 x 15	3924098	3987920	3932220
4.56	8.25 x 15	3924098	3987920	3932220
4.88	8.25 x 15, 8.55 x 15, G70 x 15, G78 x 15	3924098	3860344	3932220

1970 CORVETTE SPEEDOMETER GEAR CHART

REAR AXLE RATIO	REAR TIRE SIZE	4.337 GEAR, SPEEDO. DRIVEN	4.343 GEAR, SPEEDO. DRIVE
3.07	G70 x 15, G78 x 15, H78 x 15, 8.25 x 15	3987918	3924098
3.07	F78 x 15	3987919	3924098
3.08	H70 x 15, F78 x 15	3987919	3924098
3.08	G70 x 15, G78 x 15, H78 x 15, 8.25 x 15	3987918	3924098
3.36	H70 x 15, H78 x 15	3987920	3924098

4.338 FITTING— RETAINER— SEAL— SLEEVE, Speedometer Driven Gear

55-60	Corvette	3708147	1	1.08	(2 ⁵ / ₈ " O.L.)
61-70	Corvette	3869914	1	2.50	w/seal
55-70	Corvette (exc. P/Trac.)	3708148	1	.11	RETAINER, gear fitting (9 ¹ / ₁₆ " I.D.)
68	Corvette w/P/Trac.	1362294	1	4.21	SLEEVE, w/seal
55-70	Corvette	6264903	1	.19	SEAL, gear fitting "O" ring, hole plug (1 ¹ / ₁₆ " I.D.)

4.342 SHAFT ASSY.— SHAFT UNIT— CLIP, Speedometer without Casing

66-67	Corvette	1564778	1	2.14	(56 ¹ / ₈ ")
68-70	Corvette	6478071	1	2.17	lower flex
53-58	Corvette,				
68	Corvette	6477499	1	3.11	upper flex (81")
69-70	Corvette	6477297	1	1.66	(37 ⁷ / ₁₆ ") upper flex

3-SPEED TRANSMISSION

4.342 SHAFT ASSY.— SHAFT UNIT— CLIP, Speedometer without Casing (Con't)

53-70	Corvette	6477499	1	3.11	SHAFT UNIT (consists of shaft, tip) (AC-615) (70" O.L.) (Note 1)
<i>NOTE 1 For models requiring maximum length of 81" cut to required length.</i>					
53-70	Corvette	6478825	1	6.36	SHAFT UNIT (171" O.L.) (Note 2)
<i>NOTE 2 For models requiring length of 81" to 172" cut to required length.</i>					
69-71	Corvette w/quick release cable	6491006	1	.32	CLIP, instr. cluster cable release

4.342A SHAFT ASSEMBLY with Casing

NOTE Shaft length is generally 1 1/8" longer than casing dimension listed.

53-70	Corvette	6478131	1	9.62	(will fit 76" to 80")
53-70	Corvette	6478125	1	7.13	(screw on) (52" to 56")— (3.880)
53-70	Corvette	6478126	1	8.51	(screw on) (56" to 60")
53-70	Corvette	6478127	1	8.76	(screw on) (60" to 64")
55-57	Corvette (8 cyl.) (exc. F.I. w/H.I. Cam)	6478121	1	6.42	(screw on) (40" casing)
65-69	Corvette	6478128	1	8.91	(68" casing)
65-66	Corvette	6478123	1	6.74	(120" casing)
65-70	Corvette	6478134	1	10.71	(92 1/2" casing)
68-70	Corvette	6454481	1	8.48	lower flex (CC-291) (24 3/4" O.L.)
69-70	Corvette	6478171	1	5.70	(41" to 44")

4.343 GEAR, Speedometer Drive

56	Corvette (exc. 3.27 axle ratio),				
57-58	Corvette (exc. 4.56 axle ratio),				
59-62	Corvette w/3.55 ratio,				
66-67	Corvette w/3.31, 3.36, 3.55, 3.70, 3.73 axle,				
66-67	Corvette w/3.55, 3.70, 3.73, 4.10, 4.89 axle			1.96	(7.75 x 15 tires),
66-67	Corvette w/3.70, 3.73, 4.10, 4.89 axle				(8.15 x 15 tires),
66-67	Corvette w/3.73, 4.10, 4.89 axle	3708145	1	1.96	(8.45 x 15 tires) (1 1/4" O.D. x 1 1/32" thick) 8 teeth
55-62	Corvette w/3.08, 3.55 axle ratio,				
57-58	Corvette w/3.70, 4.11 axle ratio,				
63-65	Corvette w/3.08, 3.36 axle,				
66-67	Corvette w/3.07, 3.08, 3.31, 3.36, 3.55, 3.70 axle	3708144	1	1.96	(8.45 x 15) (8 teeth)
57-62	Corvette w/4.56 axle ratio,				
67-68	Corvette (4.56 axle w/7.75 x 15 tires)	3845079	1	1.96	6 teeth (1 59/64" O.D. x 29/64" thick)

4.351 GEAR, Transmission Main Drive (Clutch)

61-63	Corvette	3751422	1	29.20	w/synchronizer spring
64-65	Corvette	3848100	1	26.55	w/synchronizer spring (20 teeth)
66-70	Corvette	3859035	1	26.30	(19 teeth)

4.352 ROLLER, Transmission Main Shaft Front Pilot to Main Drive Gear

53-65	Corvette	435844	14	.11	front pilot bearing (3/16" dia. x 33/64")
53-65	Corvette	7450247	24	.11	rear bearing (1/8" dia. x 1/2")
66-70	Corvette	3743449	A.R.	.25	(7/16" dia. x 5/8")

4.353 SPACER, Transmission Main Shaft Front Pilot to Main Drive Gear

53-65	Corvette	591851	1	.11	front roller (1 1/16" I.D. x 1" O.D. x 7/64" thk.)
53-65	Corvette	591852	1	.11	rear roller (7/8" I.D. x 1 1/16" O.D. x 7/64" thk.)

4.354 SEAL, Transmission Main Drive Gear Bearing

66-70	Corvette	3987936	1	1.44	retainer oil (1 1/4" I.D. x 1 3/4" O.D. x 1 1/32" thk.— steel)
-------	----------	---------	---	------	--

4.355 BEARING, Transmission Main Drive Gear (Ball)

55-70	Corvette	907930	1	18.58	(single row) w/snap ring (ND47207)
68-70	Corvette	907929	1	15.54	(single row) w/snap ring (ND47507-51773A)

4.356 RETAINER— NUT, Transmission Main Drive Gear Bearing

55-57	Corvette	591620	1	5.25	(stamped 591620) (4 5/8" O.D. x 3 3/16" length, w/4 holes 2 1/64" dia.)
58-62	Corvette,				
64-65	Corvette	3741458	1	6.05	(cast 3741458) (4 1/16" O.D. x 3 3/16" O.L.)
63	Corvette	604932	1	5.30	(4 3/16" O.D. x 3 3/16" length, w/4 holes 5/16" dia.)
66-70	Corvette	3859032	1	4.82	RETAINER ASSY. (4 3/4" O.D. x 3 1/4" O.L.)
53-65	Corvette	591150	1	1.07	NUT (1 3/8"— 12 L.H. thread)

3-SPEED TRANSMISSION

		4.358	GASKET, Transmission Main Drive Gear Bearing Retainer		
63-65	Corvette	591022	1	.16	(1 ¹ / ₃₂ " dia.)
66-70	Corvette	3916113	1	.31	
		4.376	RING, Transmission Main Drive Gear Bearing		
53-70	Corvette	590849	1	.31	locating (2 ¹¹ / ₁₆ " I.D. x 2 ²³ / ₃₂ " O.D. x 1 ¹ / ₁₆ " thk.)
66-70	Corvette	3709351 A.R.		.19	retaining (Note 1)
<i>NOTE 1. Use selectively, but only 1 used to obtain proper fit.</i>					
		4.380	CLUTCH ASSY.— SYNCHRONIZER, Transmission 2nd-3rd and 3rd-4th Speeds		
55-63	Corvette	3774720	1	40.50	2nd and 3rd, w/synchronizer
64-66	Corvette	3848090	1	40.70	2nd and 3rd, w/synchronizer
66-70	Corvette	3924768	1	32.80	SYNCHRONIZER , reverse, 1st, 2nd and 3rd
		4.383	RING— RETAINER, Transmission Synchronizing		
55-65	Corvette	3845039	2	4.22	(2 ³ / ₃₂ " O.D. at small end)
66-70	Corvette	3859027 A.R.		7.45	blocking
55-65	Corvette	3845202	2	.22	RETAINER (2 ³ / ₃₂ " I.D.)
		4.384	RING— KEY, Transmission Synchronizing		
66-70	Corvette	3859025	2	.12	all clutch hub retaining
66-70	Corvette	3871250	6	.51	KEY , all clutch
		4.395	GEAR, Transmission 2nd Speed		
55-60	Corvette	3737447	1	24.60	w/energizing spring
61-63	Corvette	3745937	1	17.50	w/energizing spring
64-66	Corvette	3834224	1	23.95	w/energizing spring
66-70	Corvette	3859019	1	20.50	(24 teeth)
		4.398	WASHER, Transmission Shaft and 2nd Speed Gear Thrust		
55-65	Corvette	3736753	1	.94	gear thrust (1 ³ / ₁₆ " I.D. x 1 ²⁵ / ₃₂ " O.D. x 3 ³ / ₁₆ " thick-steel)
		4.403	SHAFT, Transmission Main		
55-63	Corvette	3740860	1	41.45	(22 ¹ / ₂ " long-6 splines)
64-66	Corvette	3870774	1	36.20	
66-70	Corvette	3915014	1	35.05	
		4.408	BEARING, Transmission Main Shaft Rear		
55-70	Corvette	907765	1	18.72	(ND47306-1961A)
		4.412	RING, Transmission Rear Bearing and Mainshaft		
55-70	Corvette	3707174	1	.31	retainer (2 ¹¹ / ₁₆ " I.D.)
55-70	Corvette	3998394	1	.59	snap (.086-.088 thick) (Note 1)
55-70	Corvette	3707189	1	.19	snap (.089-.091 thick) (Note 1)
<i>NOTE 1. Use selectively to obtain minimum end play.</i>					
66	Corvette	3911967	1	.48	locating
		4.413	SPRING, Transmission Synchronizing		
55-65	Corvette	3737448	2	.29	energizing
66-70	Corvette	3924768	4	.31	1st and rev., 2nd and 3rd
		4.417	GEAR, Transmission 1st and Reverse Sliding		
55-63	Corvette	3725646	1	18.75	1st and reverse (29T— 16 spline)
64-65	Corvette	3848091	1	18.95	1st and reverse
66-70	Corvette	3859014	1	21.15	1st speed
66-70	Corvette	3859015	1	21.15	reverse
		4.419	WASHER, Transmission 1st Reverse Gear		
66-70	Corvette	3869940	1	.36	reverse thrust (1 ³ / ₁₆ " I.D. x 2 ¹³ / ₃₂ " O.D.)
66-70	Corvette	3884595	1	.19	reverse thrust (1 ⁷ / ₃₂ " I.D. x 1 ²⁷ / ₃₂ " O.D.) (wavey)
		4.421	GEAR, Transmission Countershaft		
55-61	Corvette	3729696	1	37.80	cluster (31T— 14T— 26T)
61-63	Corvette	3741452	1	29.50	cluster (25T— 14T— 21T)
64-65	Corvette	3834208	1	42.85	(25-14-22T) (5 ²⁷ / ₃₂ " O.L.)
66-70	Corvette	3859036	1	37.45	(25 teeth)
		4.422	ROLLER, Transmission Countershaft Gear		
53-70	Corvette	435847 A.R.		.12	brg. (1 ¹ / ₄ " dia. x 3 ³ / ₄ " O.L.) (not used w/bushed type counter gear)
		4.423	WASHER, Transmission Counter Gear Bearing		
54-65	Corvette	3737814	2	.22	roller brg. thrust (7 ⁷ / ₈ " I.D. x 1 ⁵ / ₃₂ " O.D.)

3-SPEED TRANSMISSION

4.423 WASHER, Transmission Counter Gear Bearing (Con't)

54-63	Corvette	3740819	A.R.	.64	(1 ⁵ / ₈ " O.D.) (bronze) (Note 1)
<i>NOTE 1 When using in place of steel washer, 3737814 washer must be used on needle bearing side.</i>					
64-65	Corvette	3834209	2	.22	thrust (1 ⁵ / ₁₆ " I.D. x 1 ⁵ / ₈ " O.D. x 1 ⁹ / ₆₄ " thick)
66-70	Corvette	3890565	2	.67	thrust (1 ¹ / ₆₄ " I.D. x 1 ³ / ₈ " O.D.)
66-70	Corvette	3859006	2	.25	bearing (3 ¹ / ₆₄ " I.D. x 1 ¹⁵ / ₆₄ " O.D.)

4.428 SHAFT, Transmission Counter

54-65	Corvette	3707179	1	5.20	(7/ ₈ " dia. x 7 ¹ / ₈ " O.L.) (for use only w/needle type countergear)
66-70	Corvette	3859005	1	7.20	(6 ¹ / ₆₄ " dia. x 9 ¹⁹ / ₃₂ " O.L.)

4.430 GEAR ASSY., Transmission Reverse Idler (w/Bushings)

53-57	Corvette	3830211	1	22.75	(Note 1)
<i>NOTE 1 This part is used on past models with 15 or 16 teeth.</i>					
58-63	Corvette	3743358	1	24.15	(17 and 15 teeth) (Note 2)
<i>NOTE 2 If clash is experienced in first gear, also use 3725646, first and reverse gear.</i>					
64	Corvette (1st design)	3834233	1	23.30	w/bushing
64-65	Corvette (2nd design)	3851228	1	24.80	for use w/roller bearing (Note 3)
<i>NOTE 3 When using on 1964 2nd design Corvette, 9421574 roller and 590831 shaft must be used.</i>					
66-70	Corvette	3859007	1	16.65	

4.431 ROLLER, Transmission Reverse Idler Gear

58-65	Corvette	9421574	40	.16	bearing
-------	----------	---------	----	-----	---------

4.433 SHAFT, Transmission Reverse Idler Gear

53-62	Corvette	3820058	1	3.95	w/oil flat, use w/bushing
63-65	Corvette	590831	1	3.25	w/o oil flat, use w/bearing
66-70	Corvette	6477499	1	3.11	(3 ²⁷ / ₃₂ " O.L. x 3/ ₄ " O.D.)

4.435 PIN— RING, Transmission Reverse Idler Shaft

53-65	Corvette	590832	1	.11	lock (1/ ₄ " tapered x 1 ¹ / ₁₆ " length)
66-70	Corvette	9414486	1	.15	RING, gear retainer— (8.934)

4.437 WASHER— BEARING, Transmission Reverse Idler Gear Thrust

53-63	Corvette,				
64	Corvette (1st design)	591091	2	.17	front (4 ⁹ / ₆₄ " I.D.— 4 notches x 1 ¹ / ₄ " O.D. x 1/ ₃₂ " thick)
58-63	Corvette	3746442	1	.17	rear
64-65	Corvette	3851259	2	.11	gear roller bearing
64-65	Corvette	3854026	1	.26	rear (1 ¹ / ₁₆ " O.D.)
64-65	Corvette (2nd design)	3854027	1	.30	front (1 ¹ / ₂ " O.D.)
66-67	Corvette	3859011	1	.22	(4 ⁹ / ₆₄ " I.D. x 1 ¹ / ₂ " O.D.)
59-65	Corvette	457202	1	1.07	BEARING, rear (Torrington FA 10077)

4-SPEED TRANSMISSION

4.003 TRANSMISSION ASSY. (less hand brake)

4-SPD. TRANSMISSION

63-64	Corvette	3867265	1	413.75	(2.56 to 1 ratio) (Muncie) (Note 1, 2)
	<i>NOTE 1 When using on 1963 models it is necessary to use the 1964 clutch housing.</i>				
	<i>NOTE 2 When using on 1963 models transfer old shifter levers or install new levers.</i>				
64	Corvette w/F.I. (exc. P/Trac.)	3867268	1	413.75	(2.20 to 1) (Muncie) (Note 3)
64	Corvette w/P/Trac. (exc. 4.56)	3867267	1	413.75	(2.20 to 1) (Muncie) (Note 3)
	<i>NOTE 3 Less levers.</i>				
64	Corvette (P/Trac. w/4.56 axle)	3867269	1	413.75	(2.20 to 1) (Muncie)
65	Corvette (327) (exc. close ratio, Sp. H/Per., F.I.)				
66-67	Corvette (exc. close ratio)				
68	Corvette (exc. P/Trac. w/3.55 axle, close ratio)	3964502	1	493.50	(2.52 to 1) (aluminum) (Muncie)
65	Corvette (Sp. H/Per., w/F.I.) w/3.70, 4.11 axle (327)				
66-67	Corvette (close ratio) (P/Trac., w/3.70, 4.11 axle) (427)				
68	Corvette (Sp. H/Per. w/close ratio) (327)				
68	Corvette (close ratio, w/P/Trac.) w/3.70, 4.11 axle (427)	3964506	1	417.50	(Muncie)
65	Corvette (P/Trac. w/3.08, 3.36, 3.55 axle) (F.I. w/Sp. H/Per.) (327)				
65	Corvette (396)				
66	Corvette (close ratio) (3.55, 3.36 axle w/Sp. H/Per.) (427)				
67	Corvette (427) (exc. P/Trac. w/3.70, 4.11 axle)				
68	Corvette (close ratio) (427) (exc. P/Trac., 3.70, 4.11 Rr. axle)	3964505	1	471.50	(2.20 to 1) (aluminum) (Muncie)
69	Corvette (close ratio w/Sp. H/Per.) (427) (exc. P/Trac.)				
69	Corvette (close ratio w/H/Per.) (350) (exc. P/Trac.)				
69	Corvette (close ratio w/P/Trac.) (4BC w/H/Per.) (427)	3946798	1	437.00	(Muncie)
69	Corvette (close ratio w/H/Per.) w/4BC (427) (exc. P/Trac.)				
69	Corvette (close ratio w/P/Trac.) w/Sp. H/Per. (427)	3950316	1	437.00	(Muncie)
69	Corvette (exc. P/Trac.)	3950356	1	437.00	(Muncie)
70	Corvette (close ratio)	3968011	1	450.50	(Muncie)
70	Corvette (exc. close ratio)	3952659	1	421.50	(Muncie)
71-74	Corvette (exc. close ratio) (1st design)	6271516	1	441.25	(Muncie)
74-76	Corvette (exc. close ratio) (2nd design), (2.73 axle ratio)	346359	1	421.50	(Warner)
74-75	Corvette (close ratio) (2nd design), (2.73 axle ratio)	346361	1		(Warner)
75-76	Corvette w/Warner (close ratio) (3.55 axle)	369182	1		(Warner)
75-76	Corvette w/Warner (exc. close ratio) (3.55 axle)	361657	1	520.00	(Warner)

H.D. 4-SPD. TRANSMISSION

65	Corvette (P/Trac. w/3.70, 4.11 axles) w/Sp. H/Per. (396)				
66-67	Corvette (P/Trac. w/3.70, 4.10, 4.11 axles)				
68	Corvette (P/Trac. w/3.55, 3.70, 4.11 axles)	3964508	1	595.75	(Muncie)
69	Corvette w/P/Trac.	3950318	1	559.25	(Muncie)
71-72	Corvette	6271517	1	441.25	(Muncie)

4.004 CONTROL ASSY., Transmission Gearshift

57-62	Corvette	3760702	1		w/lever and bracket
63	Corvette	3824815	1	72.50	w/lever and bracket
64-75	Corvette	3960609	1	56.30	w/shaft and housing (Note 1)

NOTE 1 Contains a Bracket Assy. without a spring.

4.005 GASKET UNIT, Transmission

57-63	Corvette	3840376	1	6.75	(Note 1)
--------------	----------	----------------	---	------	----------

4-SPEED TRANSMISSION

4.005 GASKET UNIT, Transmission (Con't)

NOTE 1 Consists of 1— trans. cover gasket, 1— clutch gear brg. ret. gasket, 1— front, 1— rear trans. rear brg. ret., 3— "O" ring seals, 1— oil seal assy.

63-72	Corvette w/Muncie 4-Spd.	3917763	1	2.64	(Note 2)
	<i>NOTE 2 Consists of (1 each) gasket rear bearing retainer front, and rear, trans. cover, clutch gear bearing retainer, and (1) "O" ring seal.</i>				

4.006 LEVER— CABLE— HANDLE— KNOB— ROD, Gearshift Control (Hand)

57-63	Corvette	3760703	1	25.50	
64-67	Corvette	3863363	1	28.50	w/upper and lower levers
68-75	Corvette	3921638	1	28.65	control
59-63	Corvette	3760085	1	13.10	HANDLE , reverse, w/cable
64-67	Corvette	3901033	1	2.90	HANDLE , reverse release lever, w/retainer & sleeve (Note 1)
68-75	Corvette	3921642	1	3.35	HANDLE ASSY. , control reverse release
57-62	Corvette	3747685	1		KNOB (white plastic)
63	Corvette	3921146	1	4.40	KNOB (black bakelite)
64-75	Corvette	3857160	1	3.55	KNOB , control lever (chrome) (Note 2)

NOTE 2 On 4-Spd. trans. assemblies, it may be necessary to use lever assy. 3863363 w/a thread length of 5/64".

64-67	Corvette	3889461	1	.90	ROD , control reverse release (major dia. 7 1/2") (Note 1)
--------------	----------------	----------------	---	-----	---

NOTE 1 It may be necessary to enlarge the cable hole in the reverse release handle to 3/32" dia.

4.008 BUSHING— PIN— PLATE— SLEEVE— SPRING— WASHER, Gearshift Control Hand Lever

64-67	Corvette	3845636	A.R.	.59	reverse release cable handle
58-64	Corvette	542967	1	.59	PIN , control lever
64-74	Corvette	3845746	1	.54	PIN , control lever, lower
64-75	Corvette	3859759	1	.31	PIN , lever reverse (1/4" I.D. x 45/64" O.L.)
68-74	Corvette	3921634	1	.15	PIN , 1st and 2nd
55-64	Corvette	3723123	1	1.79	PLATE , hand lever guide
58-63	Corvette	3758912	1	.17	SLEEVE , control lever (plastic)
59-63	Corvette	3760384	1	.95	SPRING , push button (8 coils— 1/2" free length) (center shift)
64-67	Corvette	3846840	1	.17	SPRING , reverse release return
68-76	Corvette	3921641	1	.22	SPRING , reverse release return
64-66	Corvette	3841726	1	.11	WASHER , control lever

4.010 SUPPORT— BRACKET— EXTENSION— HOUSING— PLATE— SHROUD— TUBE ASSY., Gearshift Hand Lever

For floor shift models not using strg. column shift lever housing, see Group 6.518 for equivalent part, listed as a cover, jacket extension, housing, etc.

68-75	Corvette	334943	1	4.75	control lever and bracket
64-75	Corvette	3936248	1	8.40	BRACKET UNIT , control lever
66-67	Corvette	3888263	1	2.15	BRACKET ASSY. , cont. lever and bracket adapter
70-74	Corvette w/Tel. W., T.W.	7808409	1	6.90	EXTENSION , control lock tube
59-63	Corvette	3760092	1	6.60	HOUSING , reverse release
69-70	Corvette (exc. T.W., Tel. W.) ...	7811390	1	12.30	HOUSING , steering col. trans. control lock tube
64-65	Corvette	3846848	1	2.55	PLATE , cont. lever and bracket adapter
66	Corvette	3887440	1	2.15	PLATE , cont. lever and bracket adapter
70	Corvette (exc. T.W.)	7807691	1	1.00	PLATE , shift tube lock
69-74	Corvette (exc. Tel., T.W.)	7808046	1	6.95	SHROUD
69-74	Corvette w/Tel., T.W.	7805702	1	36.00	TUBE ASSY. , control lock— (4.025)

4.012 SCREW— WASHER, Gearshift Hand Lever Housing

64-65	Corvette	3846849	3	.20	trans. control lever and bracket adapter (3/8"— 16 x 7/8")
69-70	Corvette (exc. T.W., Tel. W.) ...	7810242	2	.72	lock tube, lock plate (8— 32 x 17/32")
69-70	Corvette (exc. T.W., Tel. W.), ...				
71-74	Corvette	7804407	1	.22	str. column shift lever detent plate
67-75	Corvette (exc. T.W., Tel. W.) ...	7800580	1	.31	WASHER , steering shaft upper retainer ring thrust
67-68	Corvette (exc. T.W., Tel. W.) ...	7800581	1	.35	WASHER , steering shaft upper retainer ring wave
69-75	Corvette w/T.W., Tel. W.	7804906	1		WASHER , strg. column supt. thrust
69-73	Corvette w/T.W., Tel. W.	7805159	1		WASHER , strg. column supt. wave
69-70	Corvette (exc. T.W., Tel. W.) ...	7804447	1	.54	WASHER , strg. column shift lever housing brg. wave

4.015 SEAL— BOOT— PLATE, Lever Hand (Floor Mounted)

57-58	Corvette	3751130	1	1.44	control lever
59-62	Corvette	3757866	1	1.55	control lever (black rubber)
63	Corvette	3822947	1	3.90	control cover

4-SPEED TRANSMISSION

4.015 SEAL— BOOT— PLATE, Lever Hand (Floor Mounted) (Con't)

64-67	Corvette	3866183	1	2.75	control lever (Note 1)
<i>NOTE 1 Used with vinyl ring in carpet.</i>					
68-76	Corvette	3919731	1	3.95	BOOT, control lever lower
68-75	Corvette	3977797	1	7.25	BOOT, control lever upper
68-75	Corvette	3922318	1	1.15	PLATE, control lever lower boot tapping

4.017 PLATE— INSERT— NUT, Transmission Gearshift Hand Lever (Floor Mounted)

57-58	Corvette	3728940	1	3.35	lever and ash tray trim
59-62	Corvette	3757865	1	3.35	lever and ash tray trim
64-67	Corvette	3900308	1	35.95	lever and ash tray trim (Note 1, 2)

NOTE 1 It may be necessary to paint to match.

NOTE 2 It may be necessary to cut and tap a hole in the plate when used on electric window models.

69	Corvette (350) (exc. H/Per., Sp. H/Per.)	3958741	1	1.60	console trim, eng. spec. (350 cu. in.-300 hp.)
69	Corvette (H/Per. w/4BC) (427)	3958742	1	.83	console trim, eng. spec. (427 cu. in.-390 hp.)
69	Corvette (H/Per. w/3/2BC) (427)	3958743	1	.83	console trim, eng. spec. (427 cu. in.-400 hp.)
69-71	Corvette w/H/Per. (350)	3958744	1	.83	console trim, eng. spec. (350 cu. in.-350 hp.)
69	Corvette w/Sp. H/Per. (427)	3958745	1	.83	console trim, eng. spec. (427 cu. in.-435 hp.)
69	Corvette w/aluminum head (427)	3958746	1	.83	console trim, eng. spec. (427 cu. in.-ZL1)
69	Corvette w/H.D. (427)	3958747	1	.83	console trim, eng. spec. (427 cu. in.-L88)
70	Corvette w/Sp. H/Per. (350)	3958719	1	.83	console trim, eng. spec. (350 cu. in.-370 hp.)
70	Corvette (H/Per. w/4BC) (454)	3976372	1	1.18	console trim, eng. spec. (454 cu. in.-390 hp.)
71	Corvette w/H/Per. (454)	3995089	1	1.18	console trim, eng. spec. (454 cu. in.-365 hp.)
71	Corvette (350) (exc. Sp. H/Per.)	3995090	1	.83	console trim, eng. spec. (350 cu. in.-330 hp.)
71	Corvette w/Sp. H/Per. (350)	3995091	1	.83	console trim, eng. spec. (350 cu. in.-370 hp.)
72-76	Corvette w/C.A.C.	3996821	1	18.10	tunnel front console trim
72-76	Corvette (exc. C.A.C.)	3996818	1	13.15	tunnel front console trim
68-71	Corvette (exc. C.A.C.)	6260510	1	13.15	PLATE ASSY., tunnel front console trim (Note 3)
69-71	Corvette w/C.A.C.	6260514	1	18.10	PLATE ASSY., tunnel front console trim (Note 3)
<i>NOTE 3 It may be necessary to drill 2 .18 inch holes in rr. corners for attachment & plug 2 existing holes at lettering location.</i>					
70-71	Corvette (exc. C.A.C.)	3964123	1	11.00	INSERT, console trim plate
70-71	Corvette w/C.A.C.	3964126	1	11.00	INSERT, console trim plate
72-75	Corvette (exc. C.A.C.)	333517	1	11.00	INSERT, console trim plate
72-75	Corvette w/C.A.C.	333518	1	11.00	INSERT, console trim plate
67	Corvette (Conv.)	3840110	A.R.	.11	NUT, trans. trim plate (10-16) control actuator lever boot

4.020 PLATE, Transmission Control Selector

57-62	Corvette	3742510	1	.85	selector
63-67	Corvette	3823432	1	1.25	selector
68-75	Corvette	3918589	1	1.60	selector

4.025 SHAFT— TUBE ASSY., Gearshift Control

64-75	Corvette	3841490	A.R.	2.05	control, shifter lever
69-70	Corvette w/T.W.	7805162	1	24.10	TUBE ASSY., strg. col. shifter
69-74	Corvette (exc. T.W., Tel. W.)	7805747	1	25.00	TUBE ASSY., strg. col. shifter
70-74	Corvette w/T.W., Tel. W.	7805702	1	36.00	TUBE ASSY., strg. col. trans. control lock tube

4.027 INTERLOCK— GATE— PIN— PLATE— RETAINER— RING— SCREW— SEAL— SPRING— WASHER, Control Shaft or Tube

64-75	Corvette	3846845	1	.98	control reverse lever (⁵ / ₆₄ " thk.)
64-75	Corvette	3846846	1	.90	control reverse lever (⁷ / ₆₄ " thk.)
71-72	Corvette w/T.W., Tel. W.	7811592	1	1.55	GATE, strg. col. gear shift lever
58-80	Corvette,				
62-64	Corvette	3783860	A.R.	1.40	PIN, control shaft lever (beveled ends— 3 grooves) (¹ / ₄ " x 1")
59-63	Corvette	3756659	1	.36	PLATE, control lever shaft spring
70	Corvette	7804406	1	1.55	PLATE, strg. col. gearshift lever detent
64-74	Corvette	3841725	1	.39	RETAINER, control shifter lever shaft
69-74	Corvette w/T.W., Tel. W.	7804907	1	.44	RING, support and shift tube retainer
69-70	Corvette (exc. T.W., Tel. W.)	7806109	1	1.05	SCREW, column shift tube index
71-73	Corvette w/T.W., Tel. W.	7807007	1	.46	SEAL, strg. col. shift tube
69-70	Corvette (exc. T.W., Tel. W.)	7804446	1	.81	SPRING, shift tube thrust

4-SPEED TRANSMISSION

4.027 INTERLOCK— GATE— PIN— PLATE— RETAINER— RING— SCREW— SEAL— SPRING— WASHER, Control Shaft or Tube (Con't)

71-74	Corvette (exc. T.W., Tel. W.)	7810567	1	.90	SPRING, strg. col. tube return lower
71-73	Corvette w/T.W., Tel. W.	7808481	1	.98	SPRING, shift tube thrust
69-74	Corvette (exc. T.W., Tel. W.)	7807427	1	.44	WASHER, shift tube thrust

NOTE 1 Use selectively.

4.030 LEVER— BRACKET— HOUSING— GROMMET, Transmission Gearshift Shaft or Tube (Lower)

64-75	Corvette	3850111	1	2.81	control shaft (3rd and 4th)
64-74	Corvette	3841488	1	4.07	control shaft (1st and 2nd)
64-75	Corvette	3841487	1	3.34	reverse
64-75	Corvette	3846844	1	3.82	BRACKET, control shifter lever
71-73	Corvette (exc. T.W., Tel. W.)	7812064	1	16.85	HOUSING, strg. col. gearshift lever
75	Corvette	1234418	1	.59	GROMMET, trans. control shaft lever

4.032 RETAINER, Gearshift Shaft or Tube Lever

64-74	Corvette	3841725	1	.39	control lever— (4.027)
-------	----------	---------	---	-----	------------------------

4.035 ROD, Transmission Gearshift

63	Corvette w/Warner 4-Spd.	3818961	1	1.35	trans. reverse control
64	Corvette	3846851	1	2.70	1st and 2nd
64-67	Corvette	3846853	1	1.75	reverse
64	Corvette	3852922	1	3.50	3rd and 4th
65-67	Corvette	3888265	1	2.85	3rd and 4th
68-73	Corvette	3921630	1	1.35	1st and 2nd
68-73	Corvette	3921631	1	2.25	3rd and 4th
74-75	Corvette	339742	1	1.20	1st and 2nd
74-75	Corvette	339743	1	2.00	3rd and 4th
68-73	Corvette	3921659	1	1.40	reverse control
74-75	Corvette	339745	1	1.25	reverse control
65-67	Corvette	3900986	1	5.00	ROD UNIT, 1st and 2nd

4.037 CLEVIS— BUSHING— NUT— RETAINER— SPRING— SWIVEL— WASHER, Gearshift Rod to Lever

57-58	Corvette.				
60-64	Corvette				control rod,
63	Corvette w/Warner 4-Spd.	3771963	3	1.60	control rod (⁹ / ₁₆ "— 24 thd. w/ ⁹ / ₁₆ " hole) (1 ¹³ / ₁₆ " O.L.)
64-67	Corvette	3841496	1	1.08	control rod (1st and 2nd)
67	Corvette	3888266	1	1.01	control rod
68-74	Corvette	3921633	1	2.11	1st and 2nd
75	Corvette	348033	1	2.00	1st and 2nd
74-76	Corvette	382102	1	.10	BUSHING, rod to lever
62-74	Corvette	3840137	1	.12	NUT, control rod clevis (⁷ / ₁₆ "— 20)— (4.253)
73-74	Corvette	3749084	1	.25	RETAINER, trans. control rod
57	Corvette	371704 A.R.		.10	SPRING, anti-rattle, control rod (coil type)
64-67	Corvette	3843014 A.R.		.54	SWIVEL, control rod reverse
65-67	Corvette w/4-Spd.				SWIVEL, control 3rd and 4th,
65-67	Corvette w/H.D. 4-Spd.	3864388	1	.48	control rod
57-72	Corvette	9415113 A.R.		.10	WASHER, control rod swivel (⁹ / ₁₆ " I.D. x ⁷ / ₈ " O.D.)
64-69	Corvette	382105 A.R.		.11	WASHER, control upper rod to trans. control shifter tube lever (¹³ / ₁₆ " I.D. x ³ / ₄ " O.D.)

4.045 LEVER, Transmission Mounted Gearshift (External)

57-63	Corvette w/Warner 4-Spd.	3744969	1	1.30	1st and 2nd shifter shaft
57-63	Corvette w/Warner 4-Spd.	3744970	1	1.30	3rd and 4th shifter shaft
64	Corvette	3846889	1	1.25	1st and 2nd
64	Corvette	3850113	1	1.15	3rd and 4th
64-67	Corvette	3846891	1	.84	reverse
65-67	Corvette	3864402	1	1.00	1st and 2nd shifter
65-67	Corvette	3864403	1	1.75	3rd and 4th shifter
68	Corvette	3920731	1	1.95	reverse shifter
68	Corvette	3920730	2	1.40	1st, 2nd, 3rd, and 4th shifter
69-73	Corvette	3960379	1	1.30	control shifter reverse
69-73	Corvette	3949199	1	.84	1st and 2nd, 3rd and 4th
74-75	Corvette	339744	1	1.30	control shifter reverse
74-75	Corvette	339741	1	.84	1st and 2nd, 3rd and 4th

4.052 CLIP— SWIVEL, Transmission Throttle Valve Control

57-69	Corvette	3711177 A.R.		.26	lower and upper, front rod— (3.425)
65-67	Corvette	3700188	1	.27	special— (3.425)

4-SPEED TRANSMISSION

		4.052 CLIP— SWIVEL, Transmission Throttle Valve Control (Con't)			
57-67	Corvette	3711199 A.R.	.27	SWIVEL, throttle valve control (use w/1/4" rod)— (3.425)	
		4.054 SWITCH ASSY.— BRACKET— BUSHING— ROD— SHIELD— SWIVEL, Transmission Control Safety			
69-76	Corvette	1993495	1	7.50	clutch operated neutral start
71	Corvette	3990852	1	.53	BRACKET, trans. control relay mounting
69-76	Corvette	3954290	1	.15	BUSHING, clutch operated neutral start switch
69-76	Corvette	3954299	1	1.25	ROD, clutch operated neutral start switch
64-74	Corvette	3706355	1	.20	SHIELD, switch
68-74	Corvette	3921632 A.R.			SWIVEL, control rod
75	Corvette	348032 A.R.		.78	SWIVEL, control rod
		4.070 BRACKET— CABLE ASSY.— CLIP— RETAINER, Transmission Control Lock Cable			
69-73	Corvette	3960696	1	.31	control lock cable
74-75	Corvette	339746	1	.31	control lock cable
69-75	Corvette	3949076	1	1.60	BRACKET ASSY., control lock cable
69-75	Corvette	3949074	1	8.55	CABLE ASSY., control lock (30 ¹⁵ / ₁₆ ")
69-75	Corvette	3960620	1	.23	CLIP, control lock cable
62-65	Corvette				RETAINER, to frame front anchor, front and rear— (4.785)
63-71	Corvette	3875092 A.R.			
		4.075 SWITCH ASSY.— RELAY ASSY., Transmission Smog Control			
70-71	Corvette	3961567	1	2.75	control spark
72-74	Corvette	3996286	1	2.75	control spark
70	Corvette				RELAY ASSY., control spark, seat belt warning and park. brake
72-75	Corvette	3961573	1	2.59	RELAY ASSY., control switch reversing
71	Corvette	3990842	1	2.28	RELAY ASSY., control switch delay
71	Corvette	3990843	1	2.75	RELAY ASSY., control vac. advance delay
72	Corvette	3996297	1	3.35	RELAY ASSY., control spark delay
73-74	Corvette	6270698	1	1.98	
		4.081 SUPPORT— MEMBER— MOUNTING ASSY., Transmission Mounting			
57-62	Corvette	3706152	1	4.75	MEMBER (forged 3706152)— (7.012)
63	Corvette	3870182	1	4.10	MOUNTING ASSY. (daub of orange paint) (molded 3870182) (Note 2)
		<i>NOTE 2 3/4" between center lines of bolt holes.</i>			
64-67	Corvette	3792133	1		MOUNTING ASSY., trans. supt. (stamped 3792133)
68-76	Corvette	3913498	1	4.25	MOUNTING ASSY., trans. support
		4.083 BRACKET— RETAINER, Transmission Mounting			
62	Corvette	3813335	1	3.41	support
68-75	Corvette	3913878 R.H.		1.93	cross member
68-75	Corvette	3913877 L.H.		1.93	cross member
57-62	Corvette	3706149	1	1.60	RETAINER
		4.085 SPACER, Transmission Mounting Support			
62	Corvette	3813336	1	.23	trans. support crossmember
69	Corvette w/side mounted exh.	3949179	1	.64	mounting
		4.103 CASE, Transmission			
57-60	Corvette	3772339	1	66.70	(cast iron)
61-62	Corvette	3782212	1	66.70	(aluminum)
64-65	Corvette w/4-Spd. (exc. H.D.)	3851324	1	69.40	w/plugs
65	Corvette w/H.D. 4-Spd.,				
66-74	Corvette w/Muncie	3925659	1	75.35	w/plugs
74-75	Corvette w/Warner	6260710	1	91.75	(Warner # 13-04-065-003)
		4.105 COVER— PLUG, Transmission Case			
57-63	Corvette w/Warner 4-Spd.	1378078	1	25.05	side (Warner T10-148C)
74-75	Corvette w/Warner	360811	1	19.55	trans.
63-74	Corvette	3977618	1	10.20	COVER ASSY.
65-75	Corvette w/Muncie 4-Spd.	3968034	1	.85	PLUG, trans. drain (magnetic)
		4.109 GASKET, Transmission Case Cover			
57-63	Corvette w/Warner 4-Spd.,				
74-75	Corvette w/Warner	3709316	1	.16	side (5 ¹¹ / ₁₆ " x 7 ⁵ / ₈ ") (9 holes)
63-74	Corvette w/Muncie	3831705	1	.17	
		4.302 LEVER SHAFT ASSY., Shifter			
57-63	Corvette w/Warner 4-Spd.	1379207	1	12.80	1st and 2nd
57-63	Corvette w/Warner 4-Spd.	1371083	1	11.75	3rd and 4th

4-SPEED TRANSMISSION

4.302 LEVER SHAFT ASSY., Shifter (Con't)

57-63	Corvette w/Warner 4-Spd.	3930922	1	13.05	reverse shifter
74-75	Corvette w/Warner	360086	1	10.40	3rd and 4th
74-75	Corvette w/Warner	360087	1	9.40	1st and 2nd

4.303 FORK, Gearshift

57-63	Corvette w/Warner 4-Spd.,				
74	Corvette w/Warner	3746272	A.R.	11.40	1st and 2nd, 3rd and 4th (Warner #T10-23)
57-63	Corvette w/Warner 4-Spd.,				
74	Corvette w/Warner	3743478	1	7.50	reverse (Warner #T10-24)
63-74	Corvette w/Muncie 4-Spd.	3831717	2	11.45	1st and 2nd, 3rd and 4th
75	Corvette w/Warner	360088	1	10.00	1st, 2nd, 3rd, 4th
67-74	Corvette w/Muncie 4-Spd.	3832786	1	7.35	reverse shifter

4.307 PIN— SLEEVE, Gearshift

58-63	Corvette,				
74-75	Corvette w/Warner	3709315	1	.22	interlock (1/4" O.D. x 5/16" lg.)
58-61	Corvette	103565	1	.21	reverse shifter shaft, plate lock— (8.940) ..
58-63	Corvette,				
74	Corvette w/Warner	3709313	1	1.08	SLEEVE, trans. interlock ("B" etched on end-1.0085 long)
58-63	Corvette,				
74	Corvette w/Warner	3709311	1	1.12	SLEEVE, trans. interlock (1.0185 long)
58-63	Corvette,				
74	Corvette w/Warner	3709312	1		SLEEVE, trans. interlock ("A" etched on end) (1.0135 long)
74	Corvette w/Warner	3709314	1		SLEEVE, trans. interlock ("C" etched on end) (1.0235 long)
74-75	Corvette w/Warner	360089	1	1.36	SLEEVE,interlock (1.01025 O.L.)
74-75	Corvette w/Warner	360090	1	1.36	SLEEVE, interlock (1.01175 O.L.)
74-75	Corvette w/Warner	360091	1	1.36	SLEEVE,interlock (1.01325 O.L.)
74-75	Corvette w/Warner	360092	1	1.36	SLEEVE,interlock (1.01475 O.L.)
74-75	Corvette w/Warner	360093	1	1.36	SLEEVE,interlock (1.01625 O.L.)
74-75	Corvette w/Warner	360094	1	1.36	SLEEVE,interlock (1.01775 O.L.)
74-75	Corvette w/Warner	360095	1	1.36	SLEEVE, interlock (1.01925 O.L.)
74-75	Corvette w/Warner	360096	1	1.36	SLEEVE,interlock (1.02075 O.L.)
74-75	Corvette w/Warner	360097	1	1.36	SLEEVE,interlock (1.02225 O.L.)
74-75	Corvette w/Warner	360098	1	1.36	SLEEVE, interlock (1.02375 O.L.)

4.309 SHAFT ASSY., Gear Shifter

63-68	Corvette w/Muncie 4-Spd.	3831709	A.R.	7.45	1st, 2nd, 3rd and 4th
63-68	Corvette w/Muncie 4-Spd.	3850086	1	6.80	reverse
69-74	Corvette w/Muncie	3950312	1	7.70	reverse shaft
69	Corvette	3950308	2	7.70	1st and 2nd, 3rd and 4th
70-74	Corvette w/Muncie	3952649	A.R.	5.30	1st and 2nd, 3rd and 4th
74-75	Corvette w/Warner	6260716	1	7.10	reverse shifter (Warner #13-04-598-003) ..

4.311 CAM— BALL— SPRING, Gearshift Detent

63-74	Corvette w/Muncie 4-Spd.	3905462	2	.78	detent
58-62	Corvette	453593	A.R.	.07	BALL, locating (3/8")— (8.899)
57-63	Corvette,				
74-75	Corvette w/Warner	3709310	1	.17	SPRING, reverse lever poppet (13/16" O.L. 7 active coils) detent ball (all locations)
57-75	Corvette w/Muncie,				
75	Corvette w/Warner	3773017	1	.22	Spring,lever poppet (13/16" O.L.— 6 1/2" active coils), detent ball, reverse)
63-74	Corvette w/Muncie 4-Spd.	3831718	1	.19	SPRING, detent cam

4.313 SEAL, Transmission Internal Selector Shaft

57-65	Corvette (exc. Muncie 4-Spd.) ..	3845164	2	.21	"O" ring, rubber (7/16" I.D. x 17/32" O.D.)
63-74	Corvette w/Muncie 4-Spd.	3831716	2	.51	shifter shaft, all locations
74-75	Corvette w/Warner	6260717	1	.22	shifter shaft oil (Warner #3-188)

4.317 RETAINER— EXTENSION ASSY., Transmission Rear Main Bearing

57-63	Corvette	3782213	1	36.65	
63-74	Corvette w/Muncie 4-Spd.	3831752	1	35.75	
74-75	Corvette w/Warner	360809	1	54.50	
74-75	Corvette w/Warner	3931531	1	33.85	RETAINER ASSY., w/pin rear bearing (Warner #AT10-107A)
57-63	Corvette w/Warner 4-Spd.	3813488	1	66.40	EXTENSION ASSY., w/bushing (Note 1) ...
<i>NOTE 1 When replacing old part, discard support bracket 3744074 and attaching parts and install support bracket 3813335 plus two trans. Support cross member spacers 3813336 w/four 3/4"— 16 x 1 1/8" atta.</i>					
63-64	Corvette w/Muncie 4-Spd.	3846428	1	56.75	EXTENSION ASSY.
65-70	Corvette	3857583	1	52.45	EXTENSION ASSY.
71-74	Corvette w/Muncie	3978763	1	52.45	EXTENSION ASSY.

4-SPEED TRANSMISSION

4.318 GASKET— SEAL, Transmission Rear Bearing Retainer

57-63	Corvette w/Warner 4-Spd.,				
74-75	Corvette w/Warner	3787722	1	.96	front (Warner #T10-1451-1/2C)
57-63	Corvette w/Warner 4-Spd.,				
74-75	Corvette w/Warner	3787720	1	1.03	rear (Warner #T10-146A)
63-74	Corvette w/Muncie	3911901	1	1.13	rear
63-74	Corvette w/Muncie 4-Spd.	3911900	1	1.13	front
71-74	Corvette w/Muncie	8626009	1	2.86	SEAL, extension rear oil
57-63	Corvette,				
66-70	Corvette	1243402	1	2.69	SEAL ASSY., extension oil
74-75	Corvette w/Warner	6260707	1	4.15	SEAL ASSY., ext. (Warner #T-22-110A)

4.319 BUSHING— BOLT, Transmission Rear Main Bearing

57-70	Corvette	6260048	1	.70	extension (1 1/2" I.D. x 1 5/8" O.D.)
71-75	Corvette w/Muncie, Warner	3978765	1	1.19	trans exten.
57-61	Corvette,				
74-75	Corvette w/Warner	3774911	1	.79	BOLT, retainer (1/2"— 13 x 1 1/8")

4.329 ADAPTER, Speedometer

NOTE For Model application, use speedometer gear chart.

53-74	Corvette	3890575	1	25.10	(stamped .8319)
53-74	Corvette	3925673	1	16.65	(stamped 1.1111-V)
53-74	Corvette	3932220	1	15.40	(stamped .7333-A)
53-74	Corvette	6478879	1	23.77	(stamped .8824 M)
53-74	Corvette	6477964	1	29.66	(stamped Stewart Warner 1.733)
53-74	Corvette	6477965	1	23.77	(stamped Stewart Warner 8.000)
53-74	Corvette	6477966	1	22.36	(stamped Stewart Warner 3.31)

4.330 KEY, Speedometer Adapter

57-65	Corvette	867209	1	1.04	(also included w/adapters 1565811-12-13-14-1580273-3876)
-------	----------	--------	---	------	--

4.337 GEAR, Transmission Speedometer Driven Gears (only)

NOTE For further usage see speedometer gear charts.

56-60	Corvette w/3.70 axle	3708699	1	.92	(22 teeth) (nylon) (solid green)
56-60	Corvette w/4.11 axle	3708143	1	.86	(24 teeth) (nylon) (solid yellow)
56	Corvette w/3.27 axle	3726645	1	1.01	(7.00 x 15) (19 teeth— steel)
57-60	Corvette w/4.56 axle	3845071	1	2.75	(6.70 x 15, 15 x 5.50) (20 teeth— steel)
61-64	Corvette w/4.11 axle				(6.70 x 15),
65-66	Corvette w/4.10 axle				(7.75 x 15, 8.15 x 15) (yellow— 24 teeth),
67	Corvette w/4.10 axle	3860347	1	1.01	(8.15 x 15, 8.45 x 15)
61-62	Corvette w/4.56 axle				(6.70 x 15),
65-66	Corvette w/4.56 axle				(7.75 x 15),
67	Corvette w/4.56 axle	3860329	1	2.03	(8.15 x 15) (20 teeth— steel)
63-64	Corvette w/3.55 axle				(6.70-15),
65-66	Corvette w/3.55 axle				(7.75 x 15, 8.15 x 15) (red— 21 teeth),
67	Corvette w/3.55 axle				(8.15 x 15, 8.45 x 15),
67	Corvette w/3.70 axle	3987921	1	1.06	(8.45 x 15)
61-64	Corvette w/3.36 axle				(6.70 x 16),
65-66	Corvette w/3.36, 3.31 axle				(7.75 x 15, 8.15 x 15) (blue 20 teeth),
67	Corvette w/3.36 axle				(8.15 x 15, 7.75 x 15, 8.45 x 15),
67	Corvette w/3.31 axle	3987920	1	.90	(8.15 x 15)
61-66	Corvette w/3.08 axle				(6.70 x 15, 7.10 x 15, 7.75 x 15),
65-66	Corvette w/3.07 axle				(7.75 x 15),
67	Corvette w/3.07 axle				(8.15 x 15, 8.45 x 15, 6.70 x 15),
67	Corvette w/3.08 axle				(8.15 x 15, 8.45 x 15),
67	Corvette w/2.73 axle	3987918	1	.95	(8.15 x 15, 8.45 x 15) (brown— 18 teeth)
61-64	Corvette w/3.70 axle				(6.70 x 15),
67	Corvette w/3.55 axle				(7.75 x 15),
67	Corvette w/3.70 axle				(7.75 x 15),
67	Corvette w/3.73 axle	3860345	1	.95	(8.15 x 15, 8.45 x 15) (green— 22 teeth)
65	Corvette w/2.73	1359273	1	1.09	(7.75 x 15, 8.15 x 15) (brown— 39 teeth)
					(Note 2)
	<i>NOTE 2 Used selectively.</i>				
67	Corvette w/3.73 axle	3860346	1	1.01	(black— 23 teeth)
67	Corvette w/4.10 axle	3860348	1	.95	(7.75 x 15) (25 teeth— orange)
67	Corvette w/4.56 axle	3860033	1	2.90	(7.75 x 15) (21 teeth)
67	Corvette w/3.07 axle,				
67	Corvette w/3.08 axle				(7.75 x 15),
67	Corvette w/3.31 axle				(8.45 x 15),
67	Corvette w/2.73 axle	3987919	1	.90	natural— 19 teeth

4-SPEED TRANSMISSION

Part No.	Driven Gear Teeth	Color Code
3860033	21	
3987918	18	Brown
3987919	19	Natural
3860344	21	Red
3860345	22	Green
3860346	23	Black
3860347	24	Yellow
3860348	25	Orange
3987919	19	Natural
3987920	20	Blue
3987921	21	Red
3987922	22	Silver

1968 CORVETTE 4-SPD. TRANSMISSION SPEEDOMETER GEAR CHART

NOTE: To order Speedometer Gears or Parts, Transmission Type, Rear Axle Ratio and Tire Size must be known.

REAR AXLE RATIO TIRE SIZE	4.343 GEAR, SPEEDO. DRIVE	4.337 GEAR, SPEEDO. DRIVEN	4.329 4.329 ADAPTER, SPEEDO.
2.73 8.15 x 15, 8.45 x 15, G70 x 15	3905494	3987918	—
3.07 8.15 x 15, 8.45 x 15, G70 x 15	3924098	3987918	—
3.07 F70 x 15	3924098	3987919	—
3.08 8.15 x 15, 8.45 x 15, G70 x 15	3924098	3987918	—
3.08 F70 x 15	3924098	3987919	—
3.31 8.45 x 15	3924098	3987919	—
3.31 8.15 x 15, F70 x 15, G70 x 15	3924098	3987920	—
3.36 8.15 x 15, F70 x 15, G70 x 15	3924098	3987920	—
3.55 8.15 x 15, 8.45 x 15, G70 x 15	3924098	3860344	—
3.55 F70 x 15	3924097	3860345	—
3.70 8.15 x 15, F70 x 15, G70 x 15	3924097	3860345	—
3.70 8.45 x 15	3924098	3860344	—
3.73 8.15 x 15, 8.45 x 15, G70 x 15	3924097	3860345	—
3.73 F70 x 15	3924097	3860348	—
4.10 8.15 x 15, 8.45 x 15, G70 x 15	3924097	3860347	—
4.11 F70 x 15	3924097	3860348	—
4.56 8.45 x 15	3924097	3860345	3890575
4.56 8.15 x 15, G70 x 15	3924097	3860346	3890575
4.56 F70 x 15	3845079	3860033	—
4.89 8.15 x 15, 8.45 x 15, G70 x 15	3924097	3860347	3890575

4-SPEED TRANSMISSION

1969 CORVETTE 4-SPD. TRANSMISSION SPEEDOMETER GEAR CHART

NOTE: To order Speedometer Gears or Parts, Transmission Type, Rear Axle Ratio and Tire Size must be known.

REAR AXLE RATIO	TIRE SIZE	4.343 GEAR, SPEEDO. DRIVE	4.337 GEAR, SPEEDO. DRIVEN	4.329 ADAPTER, SPEEDO.
2.56	F70 x 15, G70 x 15, G78 x 15	3924099	3987919	3925673
2.73	G70 x 15, G78 x 15, 8.25 x 15, 8.55 x 15	3924099	3987918	—
2.73	F70 x 15	3924099	3987919	—
3.07	8.25 x 15, G70 x 15, G78 x 15	3924098	3987918	—
3.07	8.55 x 15	3924099	3987920	—
3.07	E70 x 15, F70 x 15	3924099	3860344	—
3.08	8.55 x 15, G70 x 15, G78 x 15	3924098	3987918	—
3.08	8.25 x 15, F70 x 15	3924099	3860344	—
3.31	8.55 x 15	3924098	3987919	—
3.31	8.25 x 15, E70 x 15, F70 x 15, G70 x 15, G78 x 15	3924098	3987920	—
3.36	8.25 x 15, 8.55 x 15, F70 x 15, G70 x 15, G78 x 15	3924098	3987920	—
3.55	8.25 x 15, 8.55 x 15, G70 x 15, G78 x 15	3924098	3860344	—
3.55	E70 x 15, F70 x 15	3924097	3860345	—
3.73	8.25 x 15, 8.55 x 15, G70 x 15, G78 x 15	3924097	3860345	—
3.73	E70 x 15, F70 x 15	3924097	3860346	—
4.10	8.25 x 15, 8.55 x 15, G70 x 15, G78 x 15	3924097	3860347	—
4.56	8.55 x 15	3924098	3860342	3932220
4.56	8.25 x 15, G70 x 15, G78 x 15	3924098	3987920	3932220
4.56	8.25 x 15	3924098	3987920	3932220
4.88	8.25 x 15, 8.55 x 15, G70 x 15, G78 x 15	3924098	3860344	3932220

1970 CORVETTE 4-SPD. TRANSMISSION SPEEDOMETER GEAR CHART

REAR AXLE RATIO	REAR TIRE SIZE	4.337 GEAR, SPEEDO. DRIVEN	4.343 GEAR, SPEEDO. DRIVE	4.329 ADAPTER, SPEEDO.	4.330 KEY, SPEEDO. ADAPTER
-----------------	----------------	-------------------------------------	------------------------------------	------------------------------	-------------------------------------

CORVETTE w/4-SPEED (EXC. CLOSE RATIO)

3.08	F70 x 15	3987919	3924098	—	—
3.36	F70 x 15	3860343	3924098	—	—
3.55	F70 x 15	3987918	3924098	6477965	867209
3.70	F70 x 15	3987919	3924098	6477965	867209
4.11	F70 x 15	3860344	3924098	6477965	867209
4.55	F70 x 15	3860343	3924098	6477964	867209

CORVETTE w/CLOSE RATIO 4-SPEED

3.08	F70 x 15	3860346	3924097	6477966	867209
3.36	F70 x 15	3860348	3924097	6477966	867209
3.55	F70 x 15	3860345	3924097	—	—
3.70	F70 x 15	3860345	3924097	—	—
4.11	F70 x 15	3860348	3924097	—	—

4-SPEED TRANSMISSION

1971 CORVETTE 4-SPD. TRANSMISSION SPEEDOMETER GEAR CHART

REAR AXLE RATIO REAR TIRE SIZE	4.337 GEAR, SPEEDO. DRIVEN	4.343 GEAR, SPEEDO. DRIVE	4.329 ADAPTER, SPEEDO.	4.330 KEY, SPEEDO. ADAPTER
3.08 F70-15	3987919	3978758	—	—
3.36 F70-15	3987920	3978758	—	—
3.55 F70-15	3987922	3978758	—	—
3.70 F70-15	3987922	3978758	—	—
4.11 F70-15	3987921	3978758	6477965	867209
4.56 F70-15	3987920	3978758	6477964	867209

1972 CORVETTE 4-SPD. TRANSMISSION SPEEDOMETER GEAR CHART

REAR AXLE RATIO REAR TIRE SIZE	4.337 GEAR, SPEEDO. DRIVEN	4.343 GEAR, SPEEDO. DRIVE	4.329 ADAPTER, SPEEDO.	4.330 KEY, SPEEDO. ADAPTER
3.08 F70-15	3987920	3978758	—	—
3.36 F70-15	3987921	3978758	—	—
3.55 F70-15	3987922	3978758	—	—
3.70 F70-15	3987922	3978758	—	—
4.11 F70-15	3987921	3978758	6477965	867209

1973 CORVETTE 4-SPD.

CODE	DRIVEN GEARS	SLEEVE ASSY.	CODE	ADAPTERS	
A	3987919	19T	3969912	E	6478879
B	3987918	18T	3869912		
C	3987920	20T	3869912		
D	3987922	22T	3869912		

1973 CORVETTE 4-SPD.

TIRE SIZE	3.08 DRIVE GEAR	3.36 DRIVE GEAR	3.56 DRIVE GEAR	3.70 DRIVE GEAR	4.11 DRIVE GEAR	
	3978758	3978758	3978758	3978758	3978758	
GR 70-15	Driven A Adapt -	Driven B Adapt E	Driven A Adapt E	Driven C Adapt E	Driven D Adapt E	
CODE	DRIVEN GEAR	TEETH	COLOR	SLEEVE ASSY.	CODE	ADAPTER
A	3987919	19	Natural	6258100	E	6478879
B	3987918	18	Brown	6258100		
C	3987920	20	Blue	6258100		
D	3987922	22	Silver	6258100		

1974 CORVETTE 4-SPD.

TIRE SIZE	3.08 RATIO DRIVE GEAR 3978758	3.36 RATIO DRIVE GEAR 3978758	3.56 RATIO DRIVE GEAR 3978758	3.70 RATIO DRIVE GEAR 3978758	4.11 RATIO DRIVE GEAR 3978758
GR70-15	Driven A Adapter —	Driven B Adapter E	Driven A Adapter E	Driven C Adapter E	Driven D Adapter E

4-SPEED TRANSMISSION

1975 CORVETTE 4-SPD.

TIRE SIZE	3.08 RATIO DRIVE GEAR 6260705	3.36 RATIO DRIVE GEAR 6260705	3.56 RATIO DRIVE GEAR 6260705	3.70 RATIO DRIVE GEAR 6260705	4.11 RATIO DRIVE GEAR 6260705
GR 70-15	Driven A Adapter -	Driven B Adapter E	Driven A Adapter E	Driven C Adapter E	Driven D Adapter E

CODE	DRIVEN GEAR	TEETH	COLOR	SLEEVE ASSY.	CODE	ADAPTER
A	3987919	19	Natural	345215	E	6478879
B	3987918	18	Brown	345215		
C	3987920	20	Blue	345215		
D	3987922	22	Silver	345215		

4.338 FITTING— RETAINER— RING— SEAL— SLEEVE, Speedometer Driven Gear

57-59	Corvette	3708147	1	1.08	(2 ⁵ / ₈ " O.L.)
60	Corvette	3748533	1	1.08	(2 ⁵ / ₈ " O.L.)
65-73	Corvette	6258100	1	2.50	FITTING ASSY., w/seal speedo driven gear
74-75	Corvette w/Muncie	345215	1	2.26	FITTING ASSY., w/seal speedo driven gear
57-67	Corvette,				
68-74	Corvette w/Muncie (exc. P/Trac.)	3708148	1	.11	RETAINER, gear fitting (9/ ₁₆ " I.D.)
73-74	Corvette w/Muncie	1361618	1	.12	RING, speedo driven gear sleeve ret.
73-74	Corvette w/Muncie	6264903	1	.19	SEAL, speedo driven gear fitting
57-74	Corvette w/Muncie	3869910	1	.95	SEAL ASSY., pinion (5/ ₃₂ ")
68	Corvette w/P/Trac.	1362294	1	4.21	SLEEVE, w/seal

4.342 SHAFT ASSY.— SHAFT UNIT— CLIP, Speedometer without Casing

57	Corvette,				
60-62	Corvette	6452799	1		(61 ¹ / ₈ ")
57-59	Corvette	1563561	1	2.08	(68 ⁵ / ₈ ") (Note 2)
	<i>NOTE 2 For use with shaft assy. 1588291.</i>				
63-65	Corvette	1564778	1	2.14	(56 ¹ / ₈ ")
69	Corvette	6478073	1	2.36	(67 ⁷ / ₁₆ ")
57-73	Corvette	6477499	1	3.11	SHAFT UNIT (consists of shaft and tip) (70" O.L.) (Note 1)

NOTE 1 For models requiring maximum length of 81".

NOTE 3 For models requiring maximum length of 81" Cut to required length.

57-72	Corvette	6478825	1	6.36	SHAFT UNIT (171" O.L.) (Note 4)
	<i>NOTE 4 For models requiring length of 81 to 172" Cut to required length.</i>				
63-73	Corvette	3788712	A.R.	.10	CLIP, flexible shaft— (2.559)
69-72	Corvette w/quick release cable	6491006	1	.32	CLIP, instr. cluster cable release

4.342A SHAFT ASSY., With Casing

57-73	Corvette	6454481	1	8.48	lower flex (CC-291) (24 ³ / ₄ " O.L.)
75	Corvette	6479325	1		lower flex.
57-73	Corvette	6478134	1	10.71	(92 ¹ / ₂ ")
57-73	Corvette	6478171	1	5.70	(Note 2)
	<i>NOTE 2 For models requiring length 41" to 44" shaft.</i>				
57-75	Corvette	6478178	1	7.96	(snap on) (Note 3)
	<i>NOTE 3 For models requiring length 69" to 72" shaft.</i>				
57-73	Corvette	6478131	1	9.62	(screw on) (Note 4)
	<i>NOTE 4 For models requiring length 76" to 80" shaft.</i>				
57-73	Corvette	6478125	1	7.13	(screw on) (Note 5)— (3.880)
	<i>NOTE 5 For models requiring 52" to 56" shaft.</i>				
57-73	Corvette	6478126	1	8.51	(screw on) (Note 6)
	<i>NOTE 6 For models requiring 56" to 60" shaft.</i>				
57-73	Corvette	6478127	1	8.76	(screw on) (Note 7)
	<i>NOTE 7 For models requiring 60" to 64" shaft.</i>				

4.343 GEAR, Speedometer Drive

57-58	Corvette (exc. 4.56 axle ratio),
59-62	Corvette w/3.55 ratio,
63-65	Corvette w/3.70, 4.11 axle,
66-67	Corvette w/3.31, 3.36, 3.55, 3.70, 3.73 axle,

4-SPEED TRANSMISSION

4.343 GEAR, Speedometer Drive (Con't)

66-67	Corvette w/3.55, 3.70, 3.73, 4.10, 4.89 axle				(7.75 x 15 tires),
66-67	Corvette w/3.70, 3.73, 4.10, 4.89 axle				(8.15 x 15 tires),
66-67	Corvette w/3.73, 4.10, 4.89 axle	3708145	1	1.96	(8.45 x 15 tires) (1 ³ / ₄ " O.D. x 1 ⁷ / ₃₂ " thick) 8 teeth
57-62	Corvette w/3.08, 3.55 axle ratio,				
57-58	Corvette w/3.70, 4.11 axle ratio,				
63-65	Corvette w/3.08, 3.36 axle,				
63-65	Corvette w/3.55 axle,				
66-67	Corvette w/3.07, 3.08, 3.31, 3.36, 3.55, 3.70 axle	3708144	1	1.96	(8.45 x 15) (8 teeth)
57-62	Corvette w/4.56 axle ratio,				
63	Corvette w/4.56, P/Trac. axle),				
67	Corvette (4.56 axle w/7.75 x 15 tires)	3845079	1	1.96	6 teeth (1 ⁵⁹ / ₆₄ " O.D. x 2 ⁹ / ₆₄ " thick)

4.351 GEAR, Transmission Main Drive (Clutch)

57-61	Corvette,				
62	Corvette (2.20:1 1st gear)	3743447	1	50.10	(9" O.L.) (27 teeth) (Note 1)
	<i>NOTE 1 Use with 3746271 Countergear.</i>				
62	Corvette (2.54:1 1st gear)	3783316	1	52.20	(25 teeth) (Note 2)
	<i>NOTE 2 Use with 3783317 Countergear.</i>				
63-70	Corvette (Muncie 4-Spd. w/2.20:1 1st gear) (close ratio)	3925690	1		(26 teeth) w/slinger
63-65	Corvette (Muncie 4-Spd. w/2.56:1 1st gear)	3924781	1		(24 teeth)
63	Corvette (Warner 4-Spd. w/2.54:1 1st gear)	3855735	1	57.25	(25 teeth) (Note 3)
	<i>NOTE 3 Use with 3817379 Countergear.</i>				
63	Corvette (Warner 4-Spd. w/2.20:1 1st gear)	3855734	1	55.20	(27 teeth)
65-68	Corvette w/H.D. 4-Spd.	3925691	1	69.65	(26 teeth) w/slinger
66-70	Corvette (exc. H.D. close ratio)	3925689	1		(21 teeth) w/slinger
71-74	All w/Muncie (exc. close ratio H.D.)	3978772	1	54.50	
71-74	All w/Muncie w/close ratio	357244	1	59.95	
74-75	Corvette w/Warner (close ratio)	360807	1	61.25	
74-75	Corvette w/Warner (exc. close ratio)	360814	1	50.00	
71-72	All w/H.D.	3978761	1	57.00	w/slinger (26 teeth 26 spline)

4.352 BEARING— ROLLER— SPACER, Transmission Main Shaft Front Pilot to Main Drive Gear

63-74	Corvette w/Muncie 4-Spd.	9419248	1	1.71	mainshaft front (17 roller w/cage)
57-63	Corvette w/Warner 4-Spd.	3743449	A.R.	.25	ROLLER (5/8")
74-75	Corvette w/Warner	389677	1	.27	SPACER , main shaft brg. (Warner T85G-25)

4.354 SEAL, Transmission Main Drive Gear Bearing

74-75	Corvette w/Warner	3987936	1	1.44	retainer oil (1 ¹ / ₄ " I.D. x 1 ³ / ₄ " O.D. x 1 ⁷ / ₃₂ " thk.) (steel)
--------------	-------------------	----------------	---	------	---

4.355 BEARING, Transmission Main Drive Gear (Ball)

57-62	Corvette	907372	1	13.12	w/snap ring— (4.408)
63-65	Corvette	907930	1	18.58	(single row) w/snap ring (ND47207)
64-74	Corvette w/Muncie	907572	1	22.30	(single row) w/snap ring (ND41307B)
74-75	Corvette, w/Warner	908216	1	17.35	(single row) with snap rings

4.356 RETAINER— LOCK— NUT, Transmission Main Drive Gear Bearing

57-62	Corvette	3709331	1	9.20	(4 ¹¹ / ₁₆ " O.D. x 3 ³ / ₁₆ " O.L.) (forged T89 B-6)
63	Corvette	604932	1	5.30	(4 ³ / ₁₆ " O.D. x 3 ³ / ₁₆ " length, w/4 holes 5/16" dia.)
64-74	Corvette w/Muncie	3915020	1	8.50	(Note 1)
74-75	Corvette w/Warner	360806	1	13.65	
	<i>NOTE 1 When using 3915020, use 4 each 186678 bolts 3/8"— 16 x 1 in place of present ones.</i>				
63-74	Corvette w/Muncie	3849937	L.H.	.34	LOCK , retainer bolt, left
63-74	Corvette w/Muncie	3849938	R.H.	.34	LOCK , retainer bolt, right
63-74	Corvette w/Muncie 4-Spd.	591150	1	1.07	NUT (1 ³ / ₈ "— 12 L.H. thread)

4.358 GASKET, Transmission Main Drive Gear Bearing Retainer

57-62	Corvette	3743481	1	.64	(3 ⁷ / ₁₆ " I.D. x 4 ¹¹ / ₁₆ " O.D.)
63	Corvette	591022	1	.16	(1 ¹ / ₃₂ " dia.)
66-74	Corvette w/Muncie	3915019	1	.29	
74	Corvette w/Warner	1359473	1	.12	main drive gear bearing ret. (Warner T85B- 145C)

4-SPEED TRANSMISSION

4.374 SLINGER, Transmission Main Drive Gear Bearing

68-74 Corvette w/Muncie **3925692** 1 .78 clutch gear bearing oil

4.376 RING— WASHER, Transmission Main Drive Gear Bearing

57-63 Corvette w/Warner 4-Spd.,
 66-70 Corvette (exc. H.D.),
 74-75 Corvette w/Warner **3709351** A.R. .19 retaining (.086-.088 thk.) (color plain) (Note 1)

57-63 Corvette w/Warner 4-Spd.,
 74-75 Corvette w/Warner **3709352** A.R. .17 snap (.089-.091 thk.) (color dark blue) (Note 1)

57-63 Corvette w/Warner 4-Spd.,
 74-75 Corvette w/Warner **3709354** A.R. .17 snap (.095-.097 thk.) (color green) (Note 1)

57-63 Corvette w/Warner 4-Spd.,
 74-75 Corvette w/Warner **3709355** A.R. .17 snap (.099 thk.) (Warner 4734-D) (Note 1)

57-63 Corvette w/Warner 4-Spd.,
 74-75 Corvette w/Warner **3709356** A.R. .17 snap (.102) (Warner 4734-E) (Note 1)

NOTE 1 Use selectively, but only 1 used to obtain proper fit.

57-74 Corvette w/Muncie **2830050** 1 .36 locating ($3^{13}/_{32}$ " O.D.) (4.412)

63 Corvette **590849** 1 .31 locating ($2^{11}/_{16}$ " I.D. x $2^{23}/_{32}$ " O.D. x $1/_{16}$ " thk.)

74-75 Corvette w/Warner **3709353** 1 .17 snap (.092-.094 thk.) (color orange)

57-62 Corvette,
 74-75 Corvette w/Warner **3709350** 2 .34 **WASHER** ($1^{3}/_{8}$ " I.D. x $1^{13}/_{16}$ " O.D. x $1/_{16}$ " thk.)

4.380 CLUTCH ASSY.— SYNCHRONIZER, Transmission 2nd-3rd and 3rd-4th Speeds

57-63 Corvette w/Warner 4-Spd. **1379213** 1 59.35 1st and 2nd w/synchronizer

57-63 Corvette w/Warner 4-Spd. **3870789** 1 36.10 **SYNCHRONIZER**, 3rd and 4th

74-75 Corvette w/Warner **360801** 1 37.30 1st and 2nd

74-75 Corvette w/Warner **360100** 1 42.45 3rd and 4th

63-74 Corvette w/Muncie 4-Spd. **3924113** 1 **SYNCHRONIZER UNIT**, 3rd and 4th

63-74 Corvette w/Muncie 4-Spd. **3924112** 1 **SYNCHRONIZER UNIT**, 1st and 2nd

4.383 RING, Transmission Synchronizing

57-63 Corvette w/Warner 4-Spd. **3709348** 2 8.90 blocking ($2^{13}/_{16}$ " I.D. x $3^{7}/_{32}$ " O.D. w/3 inside slots)

63-65 Corvette w/Muncie 4-Spd. **3831742** 4 8.15 blocking

63 Corvette w/Muncie 4-Spd. **3832626** 1 .17 1st and 2nd retainer

66-74 Corvette w/Muncie 4-Spd. **3880850** 4 9.35 blocking

74-75 Corvette w/Warner **360812** 1 5.60 blocking

4.384 RING— PLATE, Transmission Synchronizing

57-63 Corvette w/Warner 4-Spd.,
 74 Corvette w/Warner **3709351** 1 .19 clutch hub retainer (.087 thk.)— (4.376)

57-63 Corvette w/Warner 4-Spd.,
 74 Corvette w/Warner **3709352** 1 .17 clutch hub ret. (.090)— (4.376)

57-63 Corvette w/Warner 4-Spd.,
 74 Corvette w/Warner **3709353** 1 .17 clutch hub retainer (.093 thk.)— (4.376)

57-63 Corvette w/Warner 4-Spd.,
 74 Corvette w/Warner **3709354** 1 .17 clutch hub ret. (.096)— (4.376)

57-63 Corvette w/Warner 4-Spd.,
 74 Corvette w/Warner **3709355** 1 .17 clutch retainer (.099 thk.)— (4.376)

57-63 Corvette w/Warner 4-Spd.,
 74-75 Corvette w/Warner **3709356** 1 .17 clutch hub ret. (.102)— (4.376)

63-74 Corvette w/Muncie **3831741** 1 .17 3rd and 4th clutch hub retaining

57-63 Corvette w/Warner 4-Spd.,
 74-75 Corvette w/Warner **3870793** 3 .48 **PLATE**, shifting (Warner T16-13)

63-74 Corvette w/Muncie 4-Spd. **3915050** 6 .48 **PLATE**, shifter 1st and 2nd, 3rd and 4th

4.395 GEAR, Transmission 2nd Speed

57-62 Corvette w/4-Spd. (1st design) **3743455** 1 60.85 (32 teeth- $4^{1}/_{8}$ " O.D.) (Note 1)

NOTE 1 Use with Countergear 3746271 or 3783317.

62-63 Corvette w/Warner 4-Spd. (2nd design) **3910353** 1 51.20 (30 teeth) (Note 2)

NOTE 2 Use with countergear 3817379, 1358575 or 9771378.

63-74 Corvette w/Muncie (exc. H.D.) **3831746** 1 (30 teeth)

65-72 Corvette w/H.D. 4-Spd. **3879999** 1 74.30 (30 teeth)

74-75 Corvette w/Warner **360802** 1 51.30 (25 teeth)

4.398 BEARING, Transmission Shaft and 2nd Speed Gear Thrust

57-63 Corvette w/4-Spd. (exc. Muncie) **457096** 1 4.92 ($1^{27}/_{32}$ " I.D. x $2^{1}/_{2}$ " O.D.)

4.403 SHAFT— FORK, Transmission Main

61-63 Corvette w/Warner 4-Spd. **3783314** 1 85.15 (16 teeth- $2^{5}/_{16}$ " O.L.)

63 Corvette w/Muncie 4-Spd. **3874446** 1 75.10

4-SPEED TRANSMISSION

4.403 SHAFT— FORK, Transmission Main (Con't)

64-70	Corvette w/Muncie 4-Spd.	3915087	1	62.50	
71-74	Corvette w/Muncie	3978759	1	76.50	(32-67) (2 ¹³ / ₄ " O.L.)
74-75	Corvette w/Warner	6260713	1	92.95	(Warner # 13-04-171-005)

4.408 BEARING, Transmission Main Shaft Rear

57-63	Corvette w/Warner 4-Spd.	907372	1	13.12	main shaft, less snap ring
63-74	Corvette w/Muncie 4-Spd.	907474	1	16.20	(ND 43308)
74-75	Corvette w/Warner	907458	1	12.90	

4.412 RING, Transmission Rear Bearing and Mainshaft

53-62	Corvette,				
68-75	Corvette w/Muncie 4-Spd.,				
74-75	Corvette w/Warner	2830050	1	.36	snap (3 ¹ / ₂ ' x 3 ¹³ / ₁₆ ' thk.)
57-63	Corvette w/Warner 4-Spd.,				
74-75	Corvette w/Warner	3911967	1	.48	snap
63-74	Corvette w/Muncie 4-Spd.	3831749	1	.94	locating
63-72	Corvette w/Muncie 4-Spd.	3831759	1	.17	retaining (.084" thk.) (Note 2)
	<i>NOTE 2 Used selectively.</i>				
63-74	Corvette w/Muncie 4-Spd.	3998395	1	.26	RING UNIT

4.413 SPRING, Transmission Synchronizing

57-63	Corvette w/Warner 4-Spd.,				
74-75	Corvette w/Warner	3870810	2	.29	2nd and 3rd, 3rd and 4th (Warner 4682-AJ)
63	Corvette w/Muncie 4-Spd. (1st design)	591914	4	.17	(3 ⁹ / ₃₂ " O.D.) energizing
63-65	Corvette w/Muncie 4-Spd. (2nd design),				
66-74	Corvette w/Muncie	3920775	4	.29	1st and 2nd, 3rd and 4th

4.415 GEAR, Transmission 3rd Speed

57-60	Corvette	3743452	1	45.00	w/bushing (29T— 3 ³ / ₄ " O.D.)
61-63	Corvette w/Warner 4-Spd.	1358576	1	57.45	3rd speed
63-65	Corvette w/Muncie 4-Spd.,				
66-74	Corvette w/Muncie (exc. H.D.) ..	3831747	1	48.80	3rd (27 teeth)
65-72	Corvette w/H.D.	3880845	1	70.05	3rd speed
74-75	Corvette w/Warner	360099	1	53.70	3rd speed

4.417 GEAR, Transmission 1st and Reverse Sliding

57-63	Corvette w/Warner 4-Spd.	3743458	1	66.70	1st speed (36T)
57-63	Corvette w/Warner 4-Spd.	3774912	1	42.75	reverse (39T— 4 ¹⁷ / ₃₂ " O.D.)
63	Corvette w/Muncie 4-Spd.	3831743	1	63.50	1st speed (36 teeth)
63-74	Corvette w/Muncie 4-Spd.	3831748	1	63.85	reverse (35 teeth)
64-74	Corvette w/Muncie 4-Spd. (exc. H.D.)	3849388	1	59.35	1st speed
65-72	Corvette w/H.D. 4-Spd.	3924796	1	82.45	1st speed
74-75	Corvette w/Warner	360804	1	33.45	reverse
74-75	Corvette w/Warner	360803	1	50.00	1st speed

4.419 SLEEVE— WASHER— SPRING, Transmission 1st Reverse Gear

64-67	Corvette,				
68-74	Corvette w/Muncie	3978781	1	8.70	(1st speed)
74-75	Corvette w/Warner	6260712	1	8.70	(1st speed) (Warner 13-04-103-001)
57-63	Corvette w/Warner 4-Spd.	3743460	1	2.96	WASHER , thrust (1 ³ / ₈ " I.D. x 2 ¹ / ₂ " O.D.)
63	Corvette w/Muncie 4-Spd.	3831745	1	2.61	WASHER , thrust
74-75	Corvette w/Warner	6260715	1	2.94	WASHER , thrust, 1st speed (Warner # 13-04-193-002)
66-74	Corvette w/Muncie (exc. close ratio, H.D.)	3890532	2	.07	SPRING , reverse gear anti-lash

4.421 GEAR, Transmission Countershaft

57-61	Corvette,				
62	Corvette w/4-Spd. (2.20:1 1st gear) (1st design)	3746271	1	96.10	(28T-23T-20T-17T) (Note 1)
	<i>NOTE 1 Use with 3743447 Clutch gear and 3743455 2nd Gear.</i>				
62	Corvette w/4-Spd. (2.54:1 1st gear) (1st design)	3783317	1	90.75	(30T-23T-20T-17T) (Note 2)
	<i>NOTE 2 Use with 3783316 Clutch Gear and 3743455 2nd Gear.</i>				
62	Corvette w/Warner 4-Spd. (2nd design) (2.20:1, 1st gear)	9771378	1	106.25	(28T-23T-19T-17T) (Note 3)
	<i>NOTE 3 Use with 3743447 Clutch Gear, and 3910353 2nd Gear.</i>				
62-63	Corvette (Warner 4-Spd. w/2.54:1 1st gear) (327 w/H/Per.)	1358575	1	104.65	(30T-23T-19T-17T) (Note 4)
	<i>NOTE 4 Use with 3817380 2nd Gear.</i>				

4-SPEED TRANSMISSION

4.421 GEAR, Transmission Countershaft (Con't)

63-65	Corvette (Muncie 4-Spd. w/2.20:1 1st gear) w/H/Per., F.I.	3831727	1	73.30	(1 ³ / ₁₆ " I.D.) (27T-22T-19T-17T)
63-65	Corvette (Muncie 4-Spd. w/2.56:1) (1st gear)	3831728	1	73.30	(29 teeth)
65-72	Corvette w/H.D. 4-Spd.	3905466	1	127.25	(27T-22T-19T-17T)
66-74	Corvette w/Muncie 4-Spd. close ratio	3905465	1		counter (27T-22T-19T-17T)
66-74	Corvette w/Muncie (exc. H.D., close ratio)	3905463	1	72.05	GEAR ASSY. , counter (25T-22T-19T)
74-75	Corvette w/Warner (close ratio)	360805	1	82.40	
74-75	Corvette w/Warner (exc. close ratio)	360810	1	89.85	

4.422 ROLLER, Transmission Countershaft Gear

57-65	Corvette	3709328	80	.11	brg. (frt. and rear) (3/4" O.L.)
66-74	Corvette w/Muncie,				
74-75	Corvette w/Warner	435847	A.R.	.12	brg. (1/4" dia. x 3/4" O.L.) (not used w/bushed type counter gear)

4.423 WASHER— SPACER, Transmission Counter Gear Bearing

57-62	Corvette,				
63	Corvette (exc. Muncie 4-Spd.) ..	3740819	A.R.	.64	(1 ⁵ / ₈ " O.D.) (bronze) (Note 1)
	<i>NOTE 1 When using in place of steel washer, 3737814 washer must be used on needle bearing side.</i>				
57-65	Corvette	3709324	6	.22	brg. (7/8" I.D. x 1 ⁵ / ₃₂ " thick)
63-65	Corvette w/Muncie 4-Spd.	3831729	1	.78	thrust (6 ⁷ / ₈₄ " I.D. x 1 ⁵ / ₈ " O.D. x 1/16" thick) ...
66-74	Corvette w/Muncie 4-Spd.	3864860	A.R.	.78	thrust (1" I.D. x 1 ²⁵ / ₃₂ " O.D.)
66-74	Corvette w/Muncie 4-Spd.	3864856	6	.22	bearing (1" I.D. x 1 ³ / ₁₆ " O.D.)
74-75	Corvette w/Warner	6260709	6	.78	countershaft bearing (Warner 13-04-053-002)
74-75	Corvette w/Warner	6260714	1	.78	countershaft gear rear thrust (Warner #13-04-193-001)
75	Corvette w/Warner	3870799	1	1.32	reverse idler gear rear thrust
57-63	Corvette w/Warner 4-Spd.	3709323	1	1.42	SPACER , brg. (7/8" I.D. x 4 ¹¹ / ₁₆ " O.L.)
63-65	Corvette w/Muncie 4-Spd.	3831726	1	2.10	SPACER , brg. (7/8" I.D. x 5 ⁷ / ₆₄ " O.L.)
66-74	Corvette w/Muncie 4-Spd.	3912195	1	1.90	SPACER , bearing, w/washer (1" I.D. x 5 ³ / ₃₂ " O.L.)
74-75	Corvette w/Warner	6260708	1	1.27	SPACER , countershaft bearing (Warner 13-04-053-001)

4.428 SHAFT, Transmission Counter

57-63	Corvette w/Warner 4-Spd.	3709300	1	6.65	(7/8" dia. x 9 ⁹ / ₁₆ " length)
63-65	Corvette w/Muncie 4-Spd.	3831725	1		(7/8" dia.)
66-74	Corvette w/Muncie 4-Spd.	3864850	1		(1 ¹ / ₂ " dia. x 10" O.L.)
74-75	Corvette w/Warner	6260711	1	7.15	(Warner #13-04-068-001)

4.430 GEAR, Transmission Reverse Idler (w/bushings)

60-63	Corvette w/Warner 4-Spd.	3774904	1	41.75	front (2 ³¹ / ₆₄ " dia.) (splined type)
63-74	Corvette w/Muncie 4-Spd. (exc. H.D.)	3831762	1	12.35	front
65-72	Corvette w/H.D. 4-Spd.	3879997	1	13.65	front
74-75	Corvette w/Warner	3936254	1	39.75	front (16 tooth) (Warner #T10T-10)
57-60	Corvette	3770634	1	55.15	GEAR ASSY. , rear (notched type)
60-63	Corvette w/Warner 4-Spd.,				
74-75	Corvette w/Warner	3774905	1	52.75	GEAR ASSY. (Warner #AT10-34C) (rear splined type)
63-74	Corvette w/Muncie 4-Spd.	357231	1	24.95	GEAR ASSY. , rear

4.433 SHAFT, Transmission Reverse Idler Gear

57-63	Corvette w/Warner 4-Spd.,				
74-75	Corvette w/Warner	3746277	1	5.65	(7/8" dia. x 5 ¹ / ₂ " long) (Warner T10-35)
63-74	Corvette w/Muncie 4-Spd.	357229	1	6.75	

4.435 PIN— RING, Transmission Reverse Idler Shaft

53-63	Corvette (exc. Muncie 4-Spd.),				
64-65	Corvette (exc. H.D.)	590832	1	.11	lock (1/4" tapered x 1 ¹ / ₁₆ " length)
63-74	Corvette w/Muncie 4-Spd.	456722	1	.10	lock (1/4" x 1 ¹ / ₂ "— (8.939)
60-63	Corvette,				
74-75	Corvette w/Warner	3774910	1	.34	RING , gear front (1 ⁵ / ₈ " O.D. Warner #4821A)

4.437 WASHER, Transmission Reverse Idler Gear Thrust

57-63	Corvette w/Warner 4-Spd.,				
63-74	Corvette w/Muncie 4-Spd.,				
74-75	Corvette w/Warner	3774909	1	1.54	rear (1 ⁵ / ₈ " O.D.)

4-SPEED TRANSMISSION

4.437 WASHER, Transmission Reverse Idler Gear Thrust (Con't)

57-64	Corvette w/Warner 4-Spd.	3740819	1	.64	rear (1 ⁵ / ₈ " O.D.)— (4.423)
63-74	Corvette w/Muncie 4-Spd.	3834739	1	.64	front
74	Corvette w/Warner	3870799	1	1.32	rev. idler gear rear thrust (Warner #T16-32)

POWERGLIDE TRANSMISSION

4.003 TRANSMISSION ASSY. (Less Hand Brake)			
65-67	Corvette (327)	3887071	1 424.00
4.004 CONTROL ASSY., Transmission Gearshift			
65-67	Corvette	3877970	1 47.70 w/lever and bracket
4.005 GASKET UNIT— RING UNIT— SEAL UNIT, Transmission			
58-61	Corvette	3764407	1 5.20 (Note 1)
<i>NOTE 1: Consists of 1 case gasket, 1 valve body to case gasket, 1 ea. right and left hsg. side cover gasket, 1 rr. oil pump gasket, 1 servo cover gasket, 1 governor cover gasket, 1 oil pump suction pipe seal, 1 body end plate gasket, 1 drive valve body gasket, 1 parking lock lever shaft oil seal and 2 "O" ring seals.</i>			
62-67	Corvette	3910040	1 12.90 (Note 2)
<i>NOTE 2: Consists of (1 each) gasket, trans. low servo cover, front oil pump body, governor support body, trans. upper valve body plate, trans. transfer plate to upper, and lower valve body trans. vacuum modulator, trans. oil pan, trans. oil pump suction screen, trans. governor. (1 each) seal, rear oil pump, low servo cover, front oil pump body oil, throttle valve control shaft oil ring, speedometer driven gear fitting, trans. clutch piston outer, and inner, (7) front oil pump to trans. case bolt, clutch piston outer. (1) seal unit, trans. reverse clutch piston, (1) seal assy, trans. parking lock and range selector, (2) gaskets for transfer plate to valve body (upper and lower), (1) seal, filler tube "O" ring.</i>			
53-61	Corvette (iron)	3928596	1 12.95 RING UNIT , trans. oil seal (Note 3)
<i>NOTE 3: Consists of 4 input shaft seals, 2 clutch drum seals, 2 servo piston seals, 1 front pump seal, 1 low servo seal.</i>			
62-67	Corvette (aluminum)	3928592	1 8.90 RING UNIT , trans. oil seal (Note 4)
<i>NOTE 4: Consists of 2 input shaft seals, 2 clutch drum seals, 2 governor seals, 2 low servo seals.</i>			
53-61	Corvette	3814713	1 3.30 SEAL UNIT , "O" ring (.120 thk. converter cover seal) (Note 5)
<i>NOTE 5: Consists of one seal each for converter cover, ball joint collar, and frt. oil pump body.</i>			
4.006 LEVER— BUTTON— HANDLE— KNOB— ROD, Gearshift Control (Hand)			
65-67	Corvette	3877971	1 22.25 (77/16" O.L.)
66-67	Corvette	3876439	1 1.95 BUTTON , control lever knob
59-63	Corvette	3760085	1 13.10 HANDLE , reverse, w/cable
55-62	Corvette	390749	1 4.05 KNOB (white plastic)
63	Corvette	3921146	1 4.40 KNOB (black bakelite)
65-67	Corvette	3877973	1 2.30 KNOB , control lever (Note 1)
<i>NOTE 1 In some cases it may be necessary to cut or grind off .0001 from knob end of lever to allow travel of the button that sets inside the knob to shift into all positions.</i>			
65-67	Corvette	3859795	1 14.30 ROD , control lever
4.008 PIN— PLUG— SLEEVE— SPRING, Gearshift Control Hand Lever			
58-63	Corvette	542967	1 .59 control lever
65-67	Corvette	3859792	1 3.75 PLUG , control lever
58-61	Corvette	3758912	1 .17 SLEEVE , control lever (plastic)
53-54	Corvette	3654731	1 .17 SPRING , pivot pin (Note 1)
<i>NOTE 1 Used on all models having a strg. col. control</i>			
64	Corvette	3760384	1 .95 SPRING , push button (8 coils— 1 1/2" free length) (center shift)
65-67	Corvette	3874236	1 .10 SPRING , cont. lever upper
4.010 BRACKET— COVER, Gearshift Hand Lever			
<i>For floor shift models not using strg. column shift lever housing, see Group 6.518 for equivalent part, listed as a cover, jacket extension, housing, etc.</i>			
66-67	Corvette	3888263	1 2.15 BRACKET ASSY. , cont. lever and bracket adapter
65-67	Corvette	3859469	1 12.60 COVER , control lever
4.012 WASHER, Gearshift Hand Lever Housing			
67	Corvette (exc. T.W.)	7800580	1 .31 steering shaft upper retainer ring thrust
67	Corvette (exc. T.W.)	7800581	1 .35 steering shaft upper retainer ring wave
4.015 SEAL, Lever Hand (Floor Mounted)			
55-62	Corvette w/P.G.	3751130	1 1.44 control lever
63	Corvette	3823347	1 4.50 control lever
64	Corvette w/P.G.	3844351	1 2.95 control lever lower
64	Corvette w/P.G.	3844350	1 5.55 control lever upper
65-67	Corvette w/P.G.	3859424	1 3.60 control lever
4.017 PLATE— NUT, Transmission Gearshift Hand Lever (Floor Mounted)			
56-62	Corvette	3728940	1 3.35 lever and ash tray trim
64	Corvette	3900308	1 35.95 lever and ash tray trim (Note 1, 2)
65-67	Corvette	3900310	1 33.05 lever and ash tray trim (Note 1, 2)
<i>NOTE 1 It may be necessary to paint to match.</i>			
<i>NOTE 2 It may be necessary to cut and tap a hole in the plate when used on electric window models.</i>			
67	Corvette (Conv.)	3840110 A.R.	.11 NUT , trans. trim plate (10-16) control actuator lever boot

POWERGLIDE TRANSMISSION

4.020 PLATE, Transmission Control Selector				
63-64	Corvette	3823431	1	1.20 selector
4.022 WASHER, Gearshift Lever Selector and Indicator				
65-67	Corvette	3859790	1	.48 control lever
4.027 PIN— SPRING, Control Shaft or Tube				
62-64	Corvette	3783860	A.R.	1.40 control shaft lever (beveled ends— 3 grooves) (1/4" x 1")
65-67	Corvette	3859791	1	.60 SPRING , control lever lower
4.030 LEVER ASSY., Transmission Gearshift Shaft or Tube (Lower)				
4.035 ROD, Transmission Gearshift				
65-67	Corvette	3890139	1	2.60 control
4.037 CLEVIS— NUT— SPRING— WASHER, Gearshift Rod to Lever				
61-62	Corvette,			
65	Corvette w/P.G.	3759055	A.R.	1.08 control long rod (9/8"— 24 thd. w/5/16" hole) (23/32" O.L.)
66-67	Corvette	3886804	1	3.10 cont. rod
62-67	Corvette	3840137	1	.12 NUT , control rod clevis (7/16"— 20)— (4.253)
53-57	Corvette	371704	A.R.	.10 SPRING , anti-rattle, control rod (coil type)
56-67	Corvette	9416113	A.R.	.10 WASHER , control rod swivel (9/16" I.D. x 7/8" O.D.)
64-67	Corvette	382105	A.R.	.11 WASHER , control upper rod to trans. control shifter tube lever (15/16" I.D. x 3/4" O.D.)
4.040 STUD, Transmission Control Idler				
4.042 LOCK, Transmission Control Idler Attaching				
53-61	Corvette	3685801	1	.15 control rod bell crank
4.045 LEVER, Transmission Mounted Gearshift (External)				
65-67	Corvette	3829987	1	8.40 w/shaft, park lock and range selector
4.050 ROD— LEVER— SHAFT, Transmission Throttle Valve Control (T.V.)				
57	Corvette w/F.I.	3827696	1	1.05 throttle valve cross shaft (93/8" O.L.)— (3.430)
59-63	Corvette w/4BC	3758589	1	.78 throttle valve control cross shaft (131/8" dev. length)
67	Corvette (327)	3904080	1	1.13 throttle valve control cross shaft
58-61	Corvette (8 cyl.)	3759064	1	.78 ROD ASSY. , throttle valve control (725/32" ctr. to ctr. of sockets)
63-65	Corvette (327) (exc. H/Per.)	3830309	1	1.32 ROD ASSY. , throttle valve control cross shaft
63-65	Corvette w/H/Per. (327)	3830319	1	.95 ROD ASSY. , throttle valve control cross shaft
63-67	Corvette (327)	3830310	1	.85 ROD ASSY. , throttle valve control lower
66-67	Corvette (427)	3868694	1	.70 ROD ASSY. , throttle valve control
66	Corvette w/H/Per. (427)	3881488	1	2.03 ROD ASSY. , throttle valve control cross shaft adjuster
66	Corvette (327)	3876964	1	1.32 ROD ASSY. , throttle valve cont. cross shaft
67	Corvette (396)	3904257	1	1.13 ROD ASSY. , throttle valve cont. cross shaft adj.
63-67	Corvette	3829992	1	4.95 LEVER ASSY. , outer
58-61	Corvette (8 cyl.) (exc. F.I.)	3751674	1	2.22 SHAFT , w/brkt., throttle valve cross
63-67	Corvette (8 cyl.)	3830304	1	2.15 SHAFT , bracket, throttle valve cross
4.052 CLIP— SPRING— STUD— SWIVEL, Transmission Throttle Valve Control				
55-69	Corvette	3711177	A.R.	.26 lower and upper, front rod— (3.425)
65-67	Corvette	3700188	1	.27 special— (3.425)
67	Corvette	3904245	1	.45 SPRING , throttle valve cont. cross shaft— (3.459)
53-55	Corvette (6 cyl.)	3997258	1	.72 STUD , throttle valve control intermediate rod lever (9/16"— 18 thds., x 23/8" O.L. 1/2" hex. nut)— (3.463)
55-67	Corvette	3711199	A.R.	.27 SWIVEL , throttle valve control (use w/1/4" rod)— (3.425)
4.054 SWITCH ASSY.— ROD— SHIELD— SWIVEL, Transmission Control Safety				
62	Corvette	1993566	1	15.10
63-64	Corvette (exc. back-up lamp)	1993617	1	14.90

POWERGLIDE TRANSMISSION

4.054 SWITCH ASSY.— ROD— SHIELD— SWIVEL, Transmission Control Safety (Con't)

65-67	Corvette	1993411	1	20.15	also back-up lamp
						<i>NOTE 1</i> When using on models previous to 1965 retaining ring 9417411 in group 4.259 must be used.
63-64	Corvette	3829470	1	.48	ROD , switch
53-60	Corvette	3706355	1	.20	SHIELD , switch
63-64	Corvette	3947382	1	.75	SWIVEL , control safety and back-up lamp switch rod

4.070 RETAINER, Transmission Control Lock Cable

62-65	Corvette				to frame front anchor,
63-67	Corvette	3875092	A.R.		front and rear

4.081 SUPPORT— MEMBER— MOUNTING ASSY., Transmission Mounting

NOTE 1 Requires Retainer 3704555 on early 1953 models.

53-62	Corvette	3706152	1	4.75	MEMBER (forged 3706152)— (7.012)
63	Corvette	3870182	1	4.10	MOUNTING ASSY. (daub of orange paint) (molded 3870182) (Note 2)

NOTE 2 3 3/4" between center lines of bolt holes.

64-67	Corvette	3792133	1		MOUNTING ASSY. , trans. supt. (stamped 3792133)
--------------	----------	-------	----------------	---	--	--

4.083 BRACKET— RETAINER, Transmission Mounting

62	Corvette	3813335	1	3.41	support
53-62	Corvette	3706149	1	1.60	RETAINER

4.085 SPACER, Transmission Mounting Support

62	Corvette	3813336	1	.23	trans. support crossmember
-----------	----------	-------	----------------	---	-----	----------------------------

4.103 CASE UNIT, Transmission

63-67	Corvette	3981855	1	80.70	w/bushing & low servo piston
--------------	----------	-------	----------------	---	-------	------------------------------

4.104 BUSHING— BOLT— VENT. ASSY., Transmission Case

53-61	Corvette	3780084	1	1.12	rear (2 1/8" O.D. x 5/8" long)
62-67	Corvette	3789009	1	1.19	(1 17/64" bore dia. x 17/32" wide)
53-61	Corvette	435611	A.R.	.11	BOLT , to housing (3/8"— 16 x 1 1/8") (300M)— (8.900)
53-55	Corvette (6 cyl.)	9411925	1	.22	BOLT , to housing (3/8"— 16 x 3 9/16") (290M)— (8.900)
53-61	Corvette	9409207	1	.11	BOLT , to housing (3/8"— 16 x 2 7/8") (290M)— (8.900)
55-57	Corvette (8 cyl.)	9418649	1	.23	BOLT , to housing (3/8"— 16 x 2 7/8") (290M)— (8.900)
62-67	Corvette	3820840	1	.35	VENT ASSY. (5.387)

4.105 BAFFLE— SCREEN ASSY., Transmission Case

62-67	Corvette	3816920	1	.19	oil drain back
67	Corvette	3921124	1	.51	SCREEN ASSY. , trans. case

4.109 GASKET, Transmission Case Cover

53-62	Corvette	3702649	L.H.	.35	housing side cover, L.H.
55-61	Corvette	3710674	R.H.	.12	side, R.H.

4.115 CONVERTER ASSY. (Rebuilt for General Motors), Transmission

53-61	Corvette	3869285	1	50.80	torque (complete w/housing and cover) (welded type) (Exchange Item, Note 1)
62-67	Corvette (327)	3852880	1	50.80	torque (Exchange Item, Note 1)
66	Corvette (427)	3834108	1	54.95	torque (Exchange Item, Note 1)
67	Corvette (396, 427 H/Per.)	3905861	1	54.95	torque (Exchange Item, Note 1)

NOTE 1 List price shown does not include exchange charge. Refer to dealer parts price schedule for exchange charge.

4.115A BOLT— NUT— PIN— RETAINER— SEAL, Trans.

53-61	Corvette	3717166	A.R.	.11	(5/16"— 24 x 1 3/16") cover to converter housing, pump cover to pump hsg.
54-61	Corvette	3708352	A.R.	.11	cover to flywheel, w/lockwasher (3/8"— 24 x 1 1/16")
62-67	Corvette	3799830	3	.15	trans. assy. to engine or flywheel (3/8"— 24 x 9/16")
53-55	Corvette	3703277	.3	.48	NUT , anchor (3/8"— 24 "U" type)
55-61	Corvette	3713686	3	.48	NUT , w/retainer, trans. assy. to flywheel (3/8"— 24) (Use w/bolted type converter)
53-57	Corvette	454779	1	.05	PIN , cover to housing (3/16" x 3/8")— (8.939)
60	Corvette	6257011	A.R.	.34	RETAINER , converter to flywheel (3/8"— 24 nut) (Use w/welded type converter)

POWERGLIDE TRANSMISSION

4.115A BOLT— NUT— PIN— RETAINER— SEAL, Trans. (Con't)

61	Corvette	3785104	1	.34	RETAINER, trans. to flywheel ($\frac{3}{8}$ "— 24) (Note 1)
<i>NOTE 1 May be used w/welded type converter on 1961 and 1962 models.</i>					
53-62	Corvette	3814565	1	1.55	SEAL, square ring (12 I.D. x .120)

4.117 RING, Stator

53-63	Corvette	3702104	2	.11	over run cam retaining ($3\frac{1}{2}$ " I.D. x $3\frac{11}{32}$ " O.D. x $\frac{1}{16}$ " thk.)
-------	----------	---------	---	-----	--

4.123 SHAFT— RING, Transmission Input

53-57	Corvette	3719294	1	12.65	(19 splines) (Note 1)
<i>NOTE 1 Thrust washers 3694467, 3694468, 3694469 in Group 4.162 must be used selectively.</i>					
58-61	Corvette	3755409	1	13.15	(13 O.L.)
62-66	Corvette (327, 396)	3950385	1	14.35	
53-64	Corvette	3817715	2	.64	RING, input shaft oil seal

4.128 COOLER— CLIP, Transmission Oil

63-67	Corvette	8529636	1	18.30	(6.600)
55-67	Corvette	3710497	A.R.	.10	CLIP, inlet and outlet pipe assy.

4.133 TUBE ASSY.— GAUGE— SEAL, Transmission Oil Filler

63-67	Corvette (exc. 427)	3825512	1	2.00	
63-67	Corvette (exc. 427)	3905446	1	1.90	GAUGE, cap and level
66-67	Corvette (427)	3905447	1	1.55	GAUGE, cap and level
62-67	Corvette	6264902	1	.21	SEAL, oil filler tube

4.162 FLANGE ASSY.— BEARING ASSY.— RING— WASHER, Low Sun Gear and Clutch

59-60	Corvette (exc. H.L. Cam),				
61	Corvette	3787219	1	11.05	(stamped 508) (6 tangs)
62	Corvette,				
63	Corvette (1st design)	3789067	1	11.05	(stamped 067)
64-67	Corvette (327, 396)	3843443	1	11.05	
63-67	Corvette	3771838	1	2.01	BEARING ASSY., w/race, low sun gear needle thrust
62-67	Corvette	3779911	1	.31	RING, clutch flange retainer
62-63	Corvette	3795958	1	1.32	WASHER, low sun gear thrust ($\frac{31}{32}$ " I.D. x $1\frac{11}{16}$ " O.D.)
58-67	Corvette	3758781	1	2.77	WASHER UNIT, thrust w/bushing (Note 1)
<i>NOTE 1: See 3758782, Conversion Unit for 1st design, consists of (1) low sun gear bushing and (1) low sun gear thrust washer.</i>					

4.163 PLATE, Transmission Clutch Drive and Driven

53-55	Corvette	3713694	4	2.61	drive (8 internal splines $5\frac{1}{16}$ " O.D.)
56-60	Corvette	3748703	4	2.36	drive
56	Corvette,				
58-60	Corvette	3764461	A.R.	2.07	driven (Note 1)
<i>NOTE 1 Use 3764996 Plate Unit for 1957 models.</i>					
61	Corvette	3779903	A.R.	1.96	driven
62-67	Corvette	1379373	A.R.	1.44	reverse clutch reaction (.070" thk.) (Note 2)
62-63	Corvette	3799212	1	2.14	reverse clutch reaction (.102" thk.) (Note 2)
62-63	Corvette	3799214	1	2.38	reverse clutch reaction (.134" thk.) (Note 2)
62-63	Corvette	6256553	A.R.	1.66	reverse clutch driven (6 tangs) (wavy) ($\frac{9}{64}$ " thk.)
62-67	Corvette (327, 396)	3783287	A.R.	2.41	driven (12 tangs) (flat) ($\frac{9}{32}$ " thk.)
66-67	Corvette (427)	3883903	A.R.	1.96	driven ($\frac{1}{16}$ " thk.)
66	Corvette (427)	3883904	A.R.	1.96	driven ($\frac{9}{32}$ " thk.)
62-67	Corvette	3832386	A.R.	2.41	PLATE ASSY., reverse clutch drive
61-67	Corvette	3779904	A.R.	2.14	PLATE ASSY., drive (Ident. by green mark)
62-67	Corvette	6257025	1	3.58	PLATE ASSY., reverse clutch pressure (.325 thk.)

NOTE 2 Use selectively.

4.164 CLUTCH ASSY.— HUB— RING— SEAT— SPRING— WASHER, Transmission

53-57	Corvette	3767721	1	55.20	
64	Corvette	3901123	1	54.90	(stamped 4906)
65-67	Corvette (327, 396)	3901122	1	53.85	(stamped 1122)
66-67	Corvette (427)	3901124	1	53.85	(stamped 1124)
62-63	Corvette,				
65-66	Corvette,				
66-67	Corvette (327)	3792701	1	8.05	HUB, clutch (cast 3792701)
64	Corvette w/H/Per. (327),				
66-67	Corvette (427)	3826047	1	5.05	HUB, clutch

POWERGLIDE TRANSMISSION

4.164 CLUTCH ASSY.— HUB— RING— SEAT— SPRING— WASHER, Transmission (Con't)

62-67	Corvette	6255698	1	.12	RING, reverse clutch piston return spring snap (1 ³¹ / ₃₂ " dia.)
62-67	Corvette	3779908	1	.12	RING, high clutch piston return spring snap
62-67	Corvette	3796576	1	1.01	RING, snap, reverse clutch pack (7 ¹ / ₄ " dia.)
62-67	Corvette	3789072	1	.67	SEAT, clutch spring
62-67	Corvette	3789062	1	.67	SEAT, reverse clutch piston retaining spring
<i>NOTE 3 For use w/cast clutch having ball valve in piston.</i>					
62-67	Corvette	3783288	A.R.	.12	SPRING, hi clutch (stained orange)
62-67	Corvette	3789061	17	.12	SPRING, reverse clutch piston return (stained green)
64-67	Corvette	3845858	1	1.95	SPRING, reverse clutch cushion
65-67	Corvette (exc. 396)	3862232	1	1.33	SPRING, clutch cushion (wave type)
61-67	Corvette	3783286	1	.36	WASHER, clutch hub thrust

4.166 PISTON— SEAL UNIT, Transmission Clutch

64	Corvette w/H/Per. (327)	3844181	1	5.40	
64	Corvette (327) (exc. H/Per.),				
65-67	Corvette (exc. 396)	3844206	1	5.70	(²⁷ / ₃₂ " thk.)
64-66	Corvette,				
67	Corvette (427)	3845856	1	7.50	reverse clutch (²³ / ₃₂ " thk.)
67	Corvette (327)	3845855	1	7.50	reverse clutch (²⁹ / ₃₂ " thk.)
53-63	Corvette (327)	3815148	1	2.03	SEAL UNIT, piston (inner and outer seal)
62-67	Corvette	3799008	1	.37	SEAL UNIT, reverse piston (Note 1)
<i>NOTE 1 Consists of 1 inner and 1 outer seal.</i>					
64-67	Corvette	3794123	1	2.16	SEAL UNIT, piston (inner and outer seal)

4.169 DRUM— BUSHING— WASHER, Transmission Clutch

58-61	Corvette	3747455	1	13.85	w/bushing (cast 3742456)
63	Corvette	3859477	1	27.75	w/bushing (Note 2)
<i>NOTE 2 Consists of trans. clutch piston, seal unit, hub, drive and driven plate and spring.</i>					
64-67	Corvette	3844252	1	21.15	w/bushing
<i>NOTE 3 Consists of trans. clutch piston, seal unit, clutch and clutch cushion spring, drive and driven plate.</i>					
62-67	Corvette	3840760	1	.67	BUSHING, clutch drum
58-67	Corvette	3845835	1	1.19	WASHER, drum thrust (.061) (Note 4)
58-67	Corvette	3845836	1	1.19	WASHER, drum thrust (.078) (Note 4)
58-67	Corvette	3845838	1	1.19	WASHER, drum thrust (.106) (Note 4)
62-67	Corvette	3845837	1	1.19	WASHER, drum thrust (.092) (stamped "8") (Note 4)
62-67	Corvette	3783285	1	.25	WASHER, hub front thrust
<i>NOTE 4 Use selectively.</i>					

4.175 CARRIER ASSY.— GEAR— SHAFT, Transmission Planet

64-67	Corvette	3920786	1	94.60	(27 tooth spline)
59-61	Corvette	3756797	1	5.50	GEAR, input sun (1 ¹ / ₁₆ " wide)
53-61	Corvette	3694427	6	1.63	SHAFT, pinion
<i>NOTE 1 Use with planet carrier with pinion shafts retained by removable type lock plate.</i>					

4.176 BEARING ASSY.— BUSHING— PLATE— ROLLER— SCREW— SPACER— WASHER, Planet Carrier

62-67	Corvette	3742922	1	2.77	output shaft needle thrust
61-63	Corvette	3789034	1	.70	BUSHING, output shaft
53-61	Corvette	3694428	1	.25	PLATE, pinion shaft lock (3— 1/4" holes)
53-61	Corvette	7450410	A.R.	.01	ROLLER, long and short pinion needles
62-67	Corvette	9417317	180	.01	ROLLER, pinion needle
53-63	Corvette	3694432	3	.06	SCREW, lock plate w/lockwasher (12— 24 x 1/4")
58-61	Corvette	3751043	A.R.	.11	SPACER, long and short pinion needle brg. (Note 2)
<i>NOTE 2 Use with carrier with low sun gear thrust washer.</i>					
62-67	Corvette	3789037	12	.11	SPACER, pinion needle bearing (thin)
62-67	Corvette	3789038	3	.33	SPACER, pinion needle bearing (thick)
53-67	Corvette	3689834	1	.67	WASHER, input sun gear thrust (1/2" x 1 1/4") (Note 3)
<i>NOTE 3 Use with planet carriers with pinion shafts retained by removable type lock plate.</i>					
58-61	Corvette	3790777	6	.25	WASHER, pinion thrust (1 1/2" ctr. to ctr. holes)
62-67	Corvette	3789036	6	.22	WASHER, planet pinion front thrust
62-67	Corvette	3789035	6	.22	WASHER, planet pinion rear thrust (Note 4)
<i>NOTE 4 Use selectively.</i>					

4.187 GEAR, Transmission Rear Unit

64-67	Corvette	3843441	1	20.35	reverse ring
-------	----------	---------	---	-------	--------------

POWERGLIDE TRANSMISSION

4.190 DRUM ASSY.— WASHER, Planet Reverse					
53-63	Corvette	3721564	1	18.55	w/ring gear
4.195 PAN— FLANGE— SCREW, Transmission Oil					
62-67	Corvette	3789146	1	5.30	
60-67	Corvette	3723008	1	.31	FLANGE, pan drain— (1.453)
64-67	Corvette	3923420	1	.33	SCREW, pan drain plug— (1.453)
4.196 GASKET, Transmission Oil Pan					
62-67	Corvette	3789148	1	.37	
4.197 PIPE ASSY.— GASKET— SCREEN ASSY.— SEAL, Oil Pan Pump Suction					
55-61	Corvette	3752303	1	4.33	seal and screen
62-67	Corvette	3795990	1	.13	GASKET, screen
62-67	Corvette	6263005	1	1.75	SCREEN ASSY.
53-61	Corvette	3689919	1	.22	SEAL, pipe (1 ³ / ₁₆ " O.D.)
4.200 PUMP ASSY.— VALVE, Transmission Oil Supply					
53-57	Corvette	3703256	1	39.45	front (2 ¹ / ₈ " full spline depth) (Note 1)
					<i>NOTE 1 When using 3703256 in place of Pump Assy. w/1³/₈" full spline depth, replace rear thrust washer with 3709886 Washer Unit.</i>
55-61	Corvette	3713661	1	25.45	rear
62-67	Corvette	3828786	1	60.35	front (less cover)
62-66	Corvette	3818871	1	28.00	rear (cast 3818872) (Note 2)
					<i>NOTE 2 When using 3818871 in place of 1st design 1962 pump assy. (which may be identified by casting number 3789026), it will be necessary to use governor assy. 3850510 on 1962 models with (327 exc. H/Per.), or governor assy. 3850511 on 1962 models with (H/Per. 327).</i>
62-66	Corvette	6256323	1	.29	VALVE, pump check
4.203 BEARING— BOLT— BUSHING— COVER ASSY.— GASKET— PIN— PLATE— SCREW— SEAL— VALVE UNIT, Oil Pump					
55-57	Corvette (8 cyl.)	954862	1	7.60	rear oil pump (ND 43206)— (4.408)
62-66	Corvette	193940	A.R.		BOLT, cover to body (5 ⁵ / ₁₆ "— 18 x 1 ¹ / ₈ ")— (8.900)
62-67	Corvette	3789877	1	.37	BUSHING, rear oil pump body
62-67	Corvette	3988907	1	41.70	COVER ASSY., w/stator shaft, front pump
53-61	Corvette	3719267	1	.22	GASKET, rear oil pump (2 ¹ / ₂ " I.D. x 4 ⁷ / ₁₆ " O.D.— 8 holes)
62-67	Corvette	3789022	1	.51	GASKET, front pump body (7 ³ / ₁₆ " I.D. x .015" thk.)
55-66	Corvette	3709063	1	.05	PIN, rear pump drive (1 ¹ / ₄ " x 3 ³ / ₁₆ ")
62-66	Corvette	3789055	1	.78	PLATE, rear pump wear (5" O.D. x 1 ¹ / ₂ " thk.)
62-67	Corvette	6261374	A.R.	.19	SCREW, pump to trans. case (5 ⁵ / ₁₆ "— 18 x 1 ⁷ / ₁₆ ")— (4.226)
53-61	Corvette	3689826	1	.90	SEAL, front pump body "O" ring (4 ³ / ₄ " I.D.)
53-67	Corvette	8626916	1	3.19	SEAL, front pump body (1 ⁷ / ₈ " I.D. x 2 ³ / ₄ " O.D. x 1 ¹ / ₂ " thk.)— (4.226)
62-67	Corvette	3789056	1	.31	SEAL, rear pump square ring (4 ²⁷ / ₃₂ " dia. x .090" thk.)
62-67	Corvette	3789013	1	.25	SEAL, front oil pump
62-65	Corvette	3798153	1	.79	SEAL UNIT, front pump (consists of 7 bolt seals and one 8 ¹ / ₄ " dia. large seal)
66-67	Corvette	3886384	1	.83	SEAL UNIT, front pump (consists of 7 bolt seals and 1 oil pump seal)
62-67	Corvette	3871500	1	.70	VALVE UNIT, pump priming
4.205 MODULATOR— CLIP— GASKET— PIPE ASSY.— PLUNGER— RETAINER— SPRING— TEE ASSY.— VALVE, Vacuum					
58-61	Corvette	3745169	1	4.86	
62-63	Corvette (1st design)	3812741	1	4.86	(1 pc. design)
63-67	Corvette (2nd design)	5638205	1	6.95	
63-66	Corvette (exc. 396)	4751288	1	.32	CLIP, pipe assy. to engine (1 ¹ / ₁₆ ")
66-67	Corvette	3905427	1	.19	CLIP, vac. pipe (3 ³ / ₈ ")
62-67	Corvette	6257218	1	.21	GASKET (2 ³ / ₃₂ " I.D. x 1" O.D. x 1 ¹ / ₆₄ " thk.)
66-67	Corvette	3937972	1	6.85	PIPE ASSY., vac. modulator
58-62	Corvette (exc. 327)	3745179	1	.11	PLUNGER
63-67	Corvette	3830311	1	.12	PLUNGER
58-61	Corvette	3751268	1	.05	RETAINER, valve stop
63-67	Corvette	3839599	1	.14	SPRING, damping
65-67	Corvette	336013	1	.95	TEE ASSY., trans. vacuum modulator front pipe (3 ³ / ₈ "— 18 thds.)— (7.447)
64	Corvette	3830276	1	1.57	VALVE (2 ¹⁵ / ₃₂ " O.L.)
65-67	Corvette	3847870	1	1.57	VALVE (2 ¹⁵ / ₃₂ " O.L.)
4.208 GASKET, Hydraulic Modulator					

POWERGLIDE TRANSMISSION

4.212 COVER— GASKET— SEAL— SLEEVE, Servo

62-67	Corvette	3789085	1	2.96	low
62-67	Corvette	3789086	1	.13	GASKET , low servo cover
58-61	Corvette	3744724	1	.48	GASKET , cover
62-67	Corvette	3789087	1	.19	SEAL , low servo cover
58-61	Corvette	3759098	1	.17	SLEEVE , cover locating

4.215 PLATE, Transmission

67	Corvette (327) (exc. A.I.R.)	3978784	1	5.10	transfer
-----------	------------------------------	-------	----------------	---	------	----------	-------

4.216 BODY ASSY.— DAMPER ASSY.— PLUG— RING— SEAL— SPRING— TUBE— VALVE, Transmission Main Valve

BODY ASSY., COMPLETE

55-57	Corvette (8 cyl.)	3740047	1	42.20	complete (cast 3740048)
59-61	Corvette	3815937	1	41.20	complete
64-66	Corvette (327)	3895742	1	54.70	complete
67	Corvette (exc. 427 H/Per.)	3932208	1	53.75	complete

BODY ASSY., UPPER

62	Corvette,					
67	Corvette	3905469	1	23.80	upper valve

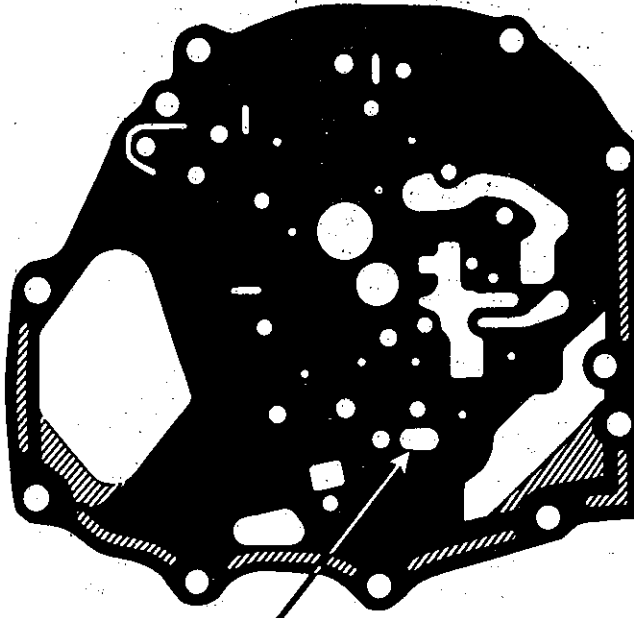
BODY ASSY., LOWER

64-65	Corvette,					
66	Corvette (327),					
67	Corvette	3895744	1	34.55	lower valve
59-63	Corvette,					
64	Corvette w/H/Per. (327)	3839771	1	.78	DAMPER ASSY. , pressure regulator
53-55	Corvette (6 cyl.)	444606	1	.05	PLUG , P/R valve to gov. (hex. hd.- ¹ / ₁₆ " thd.)— (8.971)
58-67	Corvette	3744352	1	.06	RING , press. reg. valve spring seat
65-66	Corvette	9411820	1	.22	RING , internal retaining (type T)— (8.934)
59-66	Corvette	3814086	1	.19	SPRING , pressure regulator
62-66	Corvette	6257100	2	.11	SPRING , oil pump check valve (²⁵ / ₃₂ " O.L.)
64-67	Corvette	3857754	1	.64	SPRING UNIT , low and drive valve
62-66	Corvette	3795898	1	.36	TUBE , servo applicator press.
53-55	Corvette (6 cyl.),					
58-66	Corvette	3830128	1	1.01	VALVE , clutch low servo
62	Corvette	3900938	1	1.90	VALVE , hydraulic modulator w/sleeve
62-67	Corvette	3925674	1	1.83	VALVE , manual
63-67	Corvette (327, 396)	3900940	1	2.07	VALVE , hydraulic modulator w/sleeve
64-67	Corvette	3977543	1	.25	VALVE UNIT , oil cooler by-pass

4.217 GASKET— BOLT— NUT, Transmission Main Valve Body

Valve Gasket

VALVE BODY & CASE GASKET #3719232



Valve Body and Case Gasket #3713631 does not have this hole which acts as by-pass orifice and is not interchangeable with 3719232. Diagonal areas may or may not be incorporated in old or new gasket. Interchangeability unaffected except in case of opening indicated by arrow.

58-61	Corvette	3744345	1	1.39	to case
<i>NOTE 2 Must be used with valve body case 3709033. See Illustration.</i>					
58-61	Corvette	3764196	1	1.20	trans. case
62-66	Corvette	3840330	1	.90	transfer plate to upper valve body
62-66	Corvette	3840331	1	.90	transfer plate to lower body
62-67	Corvette	3840329	1	.13	upper valve body plate
67	Corvette	7420925	2	.85	transfer plate valve upper and lower
53-57	Corvette	9409201	5	.11	BOLT, frt. oil pump to valve body attach. (1/4" - 20 x 1 13/16") - (8.900)
62-67	Corvette	3767300	1	.19	NUT, throttle valve spring regulator (1/4" x 28)

4.218 LEVER— GUIDE— RETAINER— RING— SPRING— SEAL, Manual Valve

62-67	Corvette	3886200	1	1.13	LEVER ASSY., trans. range selector detent roller
62-67	Corvette	3824051	1	4.47	LEVER ASSY., inner range selector and parking lock
62-67	Corvette	3813591	1	.77	GUIDE, transmission parking lock and range selector inner lever
62-67	Corvette	3789117	1	.12	RETAINER, range selector detent roller spring
62-64	Corvette	9416094	1	.10	RING, parking lock actuator to inner lever retaining— (8.934)
62-67	Corvette	3839320	1	.12	SPRING, trans. range selector detent roller
53-61	Corvette	3689866	1	.22	SEAL, lever shaft oil (7/8" O.D.)

4.220 PAWL— ACTUATOR ASSY.— BRACKET— PIN— RING— SEAL— SHAFT— SPRING, Transmission Parking Lock

62-67	Corvette	3815199	1	3.08	ACTUATOR ASSY.
62-67	Corvette	3978780	1	2.46	BRACKET, reaction
63-67	Corvette	3789127	1	2.63	PIN, pawl shaft retaining (1/16" x 1/2") - (8.939)
62	Corvette	455478	1	.03	RING, pawl shaft retaining
62-67	Corvette	3750532	1	.06	SEAL, range selector
62-67	Corvette	3789137	1	.51	

POWERGLIDE TRANSMISSION

4.220 PAWL— ACTUATOR ASSY.— BRACKET— PIN— RING— SEAL— SHAFT— SPRING, Transmission Parking Lock (Con't)					
62-67	Corvette	3789130	1	.76	SHAFT, pawl
62-67	Corvette	3821953	1	.19	SPRING, pawl disengaging
4.226 SEAL— SCREW, Transmission Front Servo					
62-65	Corvette (1st design)	3789024	A.R.	.12	frt. pump, "O" ring (5/16" I.D. x 1/16" thk.)
65-67	Corvette (2nd design)	3884683	A.R.	.06	front oil pump to trans. case
62-67	Corvette	6261374	1	.19	SCREW, oil pump to case (5/16"— 18 x 17/16")
4.228 PISTON— ROD— RETAINER— RING— WASHER, Low Servo					
62	Corvette,				
64-67	Corvette	3846173	1	3.78	
62-67	Corvette	3907181	1	1.90	ROD, w/retainer low servo
53-66	Corvette	455564	1	.10	RETAINER, piston rod spring (hair pin type)
67	Corvette	3905402	1	.19	RETAINER, piston rod spring
62-67	Corvette	3789084	1	.82	RING, piston
53-67	Corvette	3702807	1	.05	WASHER, piston apply spring (9/16" I.D. x 7/8" O.D. x 5/64")
4.233 SPRING, Low Brake Band					
63-67	Corvette	3815914	1	.51	piston return
66-67	Corvette (327)	3830235	1	.51	piston return (lt. blue)
64-67	Corvette	3846166	1	.31	piston apply
4.241 PISTON— RING, Reverse Servo					
63-67	Corvette	3789084	1	.82	RING, low servo piston— (4.228)
4.246 LINK UNIT— LEVER— RING, Reverse Brake Band					
53-62	Corvette	3756726	1	3.21	consists of link, pin and strut
50-61	Corvette	274560	2	.10	RING, rev. band— (8.934)
4.248 SCREEN ASSY., Transmission Oil					
63-67	Corvette	3848365	1	.25	governor valve
4.251 BAND ASSY.— STRUT, Transmission Brake					
53-55	Corvette (6 cyl.)				low,
53-61	Corvette	5459350	1	11.20	reverse band (Note 1)
<i>NOTE 1 When using 5459350 as the low brake band it will be necessary to use 3702910 Apply Strut Assy. and 3702911 Anchor Strut Assy. When 5459350 is used as the reverse brake band, 3756726 Link Unit must also be used.</i>					
55-67	Corvette	3883918	1	14.45	low
62-67	Corvette	1362592	1	1.13	STRUT, anchor
55-67	Corvette	3713613	1	1.23	STRUT ASSY., apply (use w/dbl. wrap band) (1 5/8" long)
4.253 SCREW— NUT, Brake Band Adjusting					
62-67	Corvette	3789089	1	.82	anchor
62-67	Corvette	3840137	A.R.	.12	NUT, brake screw (7/16"— 20)
4.256 GOVERNOR ASSY.— BODY ASSY.— GASKET— GEAR UNIT— PIN— PLUG— RING— SCREW— SHAFT— SPRING— VALVE— WASHER— WEIGHT ASSY., Transmission					
53-55	Corvette (6 cyl.)	3717077	1	22.85	
55-61	Corvette (8 cyl.)	3771949	1	23.45	
62-67	Corvette (exc. 427)	3850511	1	22.90	(Note 1)
<i>NOTE 1 When using on 1st design 1962 models with rear pump casting No. 3789026 it will be necessary to use rear pump 3818871.</i>					
67	Corvette	3996642	1	12.55	BODY ASSY., trans. gov. support
53-61	Corvette	3702896	1	.12	GASKET, cover (one 3 3/8", four 3/8" holes)
62	Corvette (1st design)	3789047	1	.12	GASKET, governor (use w/governor w/casting No. 3789045)
62	Corvette (2nd design),				
63-67	Corvette	3818935	1	.13	GASKET, governor (use w/governor w/casting No. 3818876)
67	Corvette	3890524	1	.22	GASKET, trans. to gov. support body
55-61	Corvette (8 cyl.)	3711625	1	2.14	GEAR UNIT, w/1 pin
53-61	Corvette	455346	1	.05	PIN, gear and sleeve (9/32" x 3/4")— (8.939)
53-61	Corvette	3702148	2	.05	PIN, weight (.090 dia. x 1 5/8")
55-62	Corvette	3771956	1	.11	PLUG, governor thrust
53-55	Corvette (6 cyl.)	3817715	3	.64	RING, governor sleeve oil seal— (4.123)
53-67	Corvette	3689808	2	1.34	RING, hub oil seal— (4.169)
62	Corvette	9414875	1	.10	RING, governor inner weight retainer— (8.934)
62	Corvette,				

POWERGLIDE TRANSMISSION

4.256 GOVERNOR ASSY.— BODY ASSY.— GASKET— GEAR UNIT— PIN— PLUG— RING— SCREW— SHAFT— SPRING— VALVE— WASHER— WEIGHT ASSY., Transmission (Con't)

64-67	Corvette	3798068	A.R.	.06	RING, inner weight to conn. shaft retainer, governor valve-to conn. shaft retainer (3/8" dia.)
62-67	Corvette	3789048	1	.12	SCREW, hub drive
62-67	Corvette	3856672	4	.12	SCREW, governor body to trans. governor hub screw and lockwasher (1/4" — 20 x 3/4")— (1.062)
64-67	Corvette (2nd design)	3850517	1	.36	SHAFT, governor connector
62-66	Corvette	3815089	2	.05	SPRING, governor damping
64-67	Corvette	3850516	1	.62	VALVE, governor
67	Corvette	3905432	1	.19	WASHER, governor damping
62-67	Corvette (exc. 427)	3850513	1	1.90	WEIGHT ASSY., governor

4.265 GASKET— PIN— RING— SCREEN ASSY., Transmission Low and Drive Valve

55-61	Corvette	3709088	1	.05	body end plate
58-59	Corvette				drive valve body,
60-61	Corvette	3745127	1	.07	low and drive valve body
53-54	Corvette	110757	1	.09	PIN, clutch exh. primary control valve stop (1/4" x 13/16") (Note 1)— (8.939)

NOTE 1 Also used as secondary control valve stop pin by cutting off 1/8".

53-57	Corvette	454779	2	.05	PIN, locating (2/16" x 3/8")— (8.939)
53-61	Corvette	9415476	1	.11	RING, regulator valve cap retainer— (8.934)
63-67	Corvette	3846834	1	.77	SCREEN ASSY., trans. throttle valve feed

4.278 LEVER ASSY.— SEAL— WASHER, Transmission Throttle Valve

62-67	Corvette	3789138	1	2.19	inner
62-67	Corvette	8526398	1	.23	SEAL, lever shaft "O" ring (5/16" I.D.)
62-67	Corvette	3978774	1	.11	WASHER, throttle valve control shaft

4.317 EXTENSION ASSY., Transmission Rear Main Bearing

63-64	Corvette	3793803	1	17.80	w/bushing
65-67	Corvette	3987986	1	16.10	w/bushing

4.318 SEAL, Transmission Rear Bearing Retainer

53-61	Corvette	3689826	1	.90	trans. extension ("O" ring) (4 3/8" I.D.)— (4.203)
55-67	Corvette (8 cyl.)	1243402	1	2.69	SEAL ASSY., extension oil

4.319 BUSHING, Transmission Rear Main Bearing

55-67	Corvette	6260048	1	.70	extension (1 1/2" I.D. x 1 5/8" O.D.)
-------	----------	---------	---	-----	---------------------------------------

4.329 ADAPTER, Speedometer

NOTE For Model application, use speedometer gear chart.

4.330 KEY, Speedometer Adapter

53-65	Corvette	867209	1	1.04	(also included w/adapters 1565811-12-13-14-1580273-3876)
-------	----------	--------	---	------	--

4.337 GEAR, Transmission Speedometer Driven Gears (Only)

NOTE For further usage see speedometer gear charts.

56-60	Corvette w/3.70 axle	3708699	1	.92	(22 teeth) (nylon) (solid green)
56-60	Corvette w/3.55 axle	3708142	1	.86	(21 teeth) (nylon) (solid red) (Note 1)
<i>NOTE 1. For low odometer mileage recording use 20 tooth gear 3708246.</i>					
56-60	Corvette w/4.11 axle	3708143	1	.86	(24 teeth) (nylon) (solid yellow)
56	Corvette w/3.27 axle	3728645	1	1.01	(7.00 x 15) (19 teeth— steel)
57-60	Corvette w/4.56 axle	3845071	1	2.75	(6.70 x 15, 15 x 5.50) (20 teeth— steel)
61-64	Corvette w/4.11 axle				(6.70 x 15),
65-66	Corvette w/4.10 axle				(7.75 x 15, 8.15 x 15) (yellow— 24 teeth),
67	Corvette w/4.10 axle	3860347	1	1.01	(8.15 x 15, 8.45 x 15)
61-62	Corvette w/4.56 axle				(6.70 x 15),
65-66	Corvette w/4.56 axle				(7.75 x 15),
67	Corvette w/4.56 axle	3860329	1	2.03	(8.15 x 15) (20 teeth— steel)
61-62	Corvette				(6.70 x 15),
63-64	Corvette w/3.55 axle				(6.70 x 15),
65-66	Corvette w/3.55 axle				(7.75 x 15, 8.15 x 15) (red— 21 teeth),
67	Corvette w/3.55 axle				(8.15 x 15, 8.45 x 15),
67	Corvette w/3.70 axle	3987921	1	1.06	(8.45 x 15)
61-64	Corvette w/3.36 axle				(6.70 x 16),
65-66	Corvette w/3.36, 3.31 axle				(7.75 x 15, 8.15 x 15) (blue— 20 teeth),
67	Corvette w/3.36 axle				(8.15 x 15, 7.75 x 15, 8.45 x 15),
67	Corvette w/3.31 axle	3987920	1	.90	(8.15 x 15)
61-66	Corvette w/3.08 axle				(6.70 x 15, 7.10 x 15, 7.75 x 15),

POWERGLIDE TRANSMISSION

4.337 GEAR, Transmission Speedometer Driven Gears (Only) (Con't)

65-66	Corvette w/3.07 axle				(7.75 x 15),
67	Corvette w/3.07 axle				(8.15 x 15, 8.45 x 15, 6.70 x 15),
67	Corvette w/3.08 axle				(8.15 x 15, 8.45 x 15),
67	Corvette w/2.73 axle	3987918	1	.95	(8.15 x 15, 8.45 x 15) (brown— 18 teeth)
61-64	Corvette w/3.70 axle				(6.70 x 15),
67	Corvette w/3.55 axle				(7.75 x 15),
67	Corvette w/3.70 axle				(7.75 x 15),
67	Corvette w/3.73 axle	3860345	1	.95	(8.15 x 15, 8.45 x 15) (green— 22 teeth)
67	Corvette w/3.73 axle	3860346	1	1.01	(black— 23 teeth)
67	Corvette w/4.10 axle	3860348	1	.95	(7.75 x 15) (25 teeth— orange)
67	Corvette w/4.56 axle	3860033	1	2.90	(7.75 x 15) (21 teeth)
67	Corvette w/3.07 axle,				(7.75 x 15),
67	Corvette w/3.08 axle				(8.45 x 15),
67	Corvette w/3.31 axle				(natural— 19 teeth)
67	Corvette w/2.73 axle	3987919	1	.90	(7.75 x 15, 8.15 x 15) (brown— 39 teeth)
65	Corvette w/2.73	1359273	1	1.09	(Note 2)

NOTE 2 Used selectively.

4.338 FITTING— RETAINER— SEAL, Speedometer Driven Gear

55-56	Corvette,				
58-60	Corvette	3708147	1	1.08	(2 ⁵ / ₈ " O.L.)
61-67	Corvette	3869914	1	2.50	w/seal
55-67	Corvette	3708148	1	.11	RETAINER, gear fitting (9/ ₁₆ " I.D.)
55-56	Corvette,				
62-67	Corvette	6264903	1	.19	SEAL, gear fitting "O" ring, hole plug (1 ¹ / ₁₆ " I.D.)

4.342 SHAFT ASSY.— SHAFT UNIT, Speedometer without Casing

53-55	Corvette (6 cyl.)	1562669	1	1.78	(63 ⁵ / ₈ "
53-58	Corvette	1563561	1	2.08	(68 ⁵ / ₈ " (Note 2)
NOTE 2 For use with shaft assy. 1588291.					
55-62	Corvette (8 cyl.)	6452799	1		(61 ¹ / ₈ " (Note 1)
NOTE 1 Production shaft only. Not to be confused with service shaft 1563561.					
63-67	Corvette	1664778	1	2.14	(56 ¹ / ₈ "
53-67	Corvette	6477499	1	3.11	SHAFT UNIT (consists of shaft, tip) (AC-615) (70" O.L.) (Note 3)
NOTE 3 For models requiring maximum length of 81" cut to required length.					
53-67	Corvette	6478825	1	6.36	SHAFT UNIT (171" O.L.) (Note 4)
NOTE 4 For models requiring length of 81" to 172" cut to required length.					

4.342A SHAFT ASSEMBLY with Casing

NOTE Shaft length is generally 1¹/₈" longer than casing dimension listed.

53-67	Corvette	6478131	1	9.62	(will fit 76" to 80")
53-67	Corvette	6478125	1	7.13	(52" to 56")— (3.880)
53-67	Corvette	6478126	1	8.51	(56" to 60")
53-67	Corvette	6478127	1	8.76	(60" to 64")
55-67	Corvette	6478128	1	8.91	(68" casing)
55-57	Corvette (8 cyl.) (exc. F.I. w/H.L. Cam)	6478121	1	6.42	(40" casing)
65-66	Corvette	6478193	1	10.46	(120" casing)
65-67	Corvette	6478134	1	10.71	(92 ¹ / ₂ " casing)

4.343 GEAR, Speedometer Drive

55-62	Corvette w/3.08, 3.55 axle ratio,				
63-65	Corvette w/3.08, 3.36 axle,				
66-67	Corvette w/3.07, 3.08, 3.31, 3.36, 3.55, 3.70 axle	3708144	1	1.96	(8.45 x 15) (8 teeth)
57-62	Corvette w/4.56 axle ratio,				
67-68	Corvette (4.56 axle w/7.75 x 15 tires)	3845079	1	1.96	6 teeth (1 ⁶⁸ / ₆₄ " O.D. x ²⁹ / ₆₄ " thick)
66-67	Corvette w/3.31, 3.36, 3.55, 3.70, 3.73 axle,				
66-67	Corvette w/3.55, 3.70, 3.73, 4.10, 4.89 axle				(7.75 x 15 tires),
66-67	Corvette w/3.70, 3.73, 4.10, 4.89 axle				(8.15 x 15 tires),
66-67	Corvette w/3.73, 4.10, 4.89 axle	3708145	1	1.96	(8.45 x 15 tires) (1 ³ / ₄ " O.D. x ¹ / ₃₂ " thick) 8 teeth

4.355 BEARING, Transmission Main Drive Gear (Ball)

64-65	Corvette	907930	1	18.58	(single row) w/snap ring (ND47207)
-------	----------	--------	---	-------	------------------------------------

4.408 BEARING, Transmission Main Shaft Rear

55-61	Corvette	954862	1	7.60	rear bearing (ND43206)
-------	----------	--------	---	------	------------------------

4.412 RING, Transmission Rear Bearing and Mainshaft

TURBO-HYDRAMATIC TRANSMISSION

4.003 TRANSMISSION ASSY. (Less Hand Brake)

69-70	Corvette (350)	8626653	1	474.05
71	Corvette w/H/Per. (454)	8627048	1	526.10
72	Corvette (454)	8627263	1	526.10
73	Corvette (454)	8627518	1	
73	Corvette w/Sp. H/Per. (350)	8627588	1	
74	Corvette (350) (exc. Sp./H. Per.)	8627727	1	526.10
74	Corvette w/Sp./H. Per. (350)	8627731	1	
74	Corvette (454)	8627729	1	
75	Corvette (350) (exc. Sp.H/Per.)	8629017	1	685.00
76	Corvette	8629234	1	

4.004 CONTROL ASSY.— LEVER ASSY., Transmission Gearshift

68-74	Corvette	3921660	1	50.30	w/lever and bracket
75-76	Corvette	356942	1	50.30	w/lever & bracket

4.005 GASKET UNIT— RING UNIT, Transmission

68-76	Corvette	8625967	1	56.55	overhaul (Note 1)
<i>NOTE 1 Consists of 1 front servo piston oil seal ring, 2 pump oil seal rings, 4 center support oil seal rings, 3 intermediate clutch drive plate assemblies, 5 forward clutch drive plate assemblies, 1 front pump seal, 1 extension housing seal, 2 forward and direct clutch piston seal kits, 1 intermediate clutch piston seal kit, 1 overhaul gasket and seal kit.</i>					
68-76	Corvette	8625905	1	8.85	w/seals (Note 2)
<i>NOTE 2 Consists of 1 ring pump to case seal, 8 "O" ring pump body bolt seals, 8 pump body bolt washers, 1 pump cover to case gasket, 1 "O" ring output shaft seal, 1 reverse servo piston seal, 1 rear servo cover gasket, 1 governor cover gasket, 1 "O" ring parking pawl shaft seal, 2 manual shaft "O" rings, 1 manual shaft seal Assy., 2 vacuum modulator and connector seals, 1 valve body to spacer gasket, 1 case to spacer gasket, 1 solenoid valve gasket, 1 "O" ring strainer seal, 1 trans. oil pan gasket, 1 case extension to case gasket 1 3/16" dia. parking shaft plug, 1 filler tube "O" ring seal.</i>					
68-70	Corvette	3928594	1	8.45	RING UNIT , trans. oil seal (Note 3)
<i>NOTE 3 Consists of 6 center support and pump cover seals, 1 front servo piston seal, 1 front accumulator piston seal, 1 accumulator piston seal, 1 rear accumulator piston seal.</i>					

4.006 LEVER— BUTTON— KNOB— ROD, Gearshift Control (Hand)

68-76	Corvette	3921664	1	19.40	control
68-76	Corvette	3876439	1	1.95	BUTTON , control lever knob
68-76	Corvette	3877973	1	2.30	KNOB , control lever (Note 1)
<i>NOTE 1 In some cases it may be necessary to cut or grind off .0001 from knob end of lever to allow travel of the button that sets inside the knob to shift into all positions.</i>					
68-76	Corvette	3869795	1	14.30	ROD , control lever

4.008 BUSHING— FASTENER— PIN— PLUG— SPRING, Gearshift Control Hand Lever

68-76	Corvette	3923617	1	.84	control cable lever
68-76	Corvette	564708	1	.15	FASTENER , control cable retainer— (4.060)
68-76	Corvette	3921671	1	.72	PIN , control lever
68-76	Corvette	3869792	1	3.75	PLUG , control lever
68-74	Corvette	3874236	1	.10	SPRING , cont. lever upper

4.010 BRACKET ASSY.— EXTENSION— HOUSING— PLATE— SHROUD— TUBE ASSY., Gearshift Hand Lever

For floor shift models not using strg. column shift lever housing, see Group 6.518 for equivalent part, listed as a cover, jacket extension, housing, etc.

68-74	Corvette	3921661	1	7.70	control lever
75	Corvette	356943	1	10.80	control lever
70-74	Corvette w/Tel., T.W.	7808409	1	6.90	EXTENSION , control lock tube
69-70	Corvette (exc. T.W., Tel. W.)	7811390	1	12.30	HOUSING , steering col. trans. control lock tube
70	Corvette (exc. T.W.)	7807691	1	1.00	PLATE , shift tube lock
69-74	Corvette (exc. Tel. W., T.W.)	7808046	1	6.95	SHROUD
69-74	Corvette w/Tel., T.W.	7805702	1	36.00	TUBE ASSY. , control lock— (4.025)

4.012 SCREW— WASHER, Gearshift Hand Lever Housing

69-70	Corvette (exc. T.W., Tel. W.)	7810242	2	.72	lock tube, lock plate (8— 32 x 17/32")
69-70	Corvette (exc. T.W., Tel. W.)				
71-76	Corvette (exc. T.W., Tel. W.)	7804407	1	.22	strg. column shift lever detent plate
68-76	Corvette (exc. T.W., Tel. W.)	7800580	1	.31	WASHER , steering shaft upper retainer ring thrust
68	Corvette (exc. T.W., Tel. W.)	7800581	1	.35	WASHER , steering shaft upper retainer ring wave
69-74	Corvette w/T.W., Tel. W.	7804906	1		WASHER , strg. column supt. thrust
69-73	Corvette w/T.W., Tel. W.	7805159	1		WASHER , strg. column supt. wave
69-70	Corvette (exc. T.W., Tel. W.)	7804447	1	.54	WASHER , strg. column shift lever housing brg. wave

TURBO-HYDRAMATIC TRANSMISSION

4.015 SEAL— RETAINER, Lever Hand (Floor Mounted)

68-76	Corvette	3922319	1	4.05	control valve
68-76	Corvette	3923618	1	1.10	RETAINER, control cable seal

4.017 PLATE— INSERT— SEAL, Transmission Gearshift Hand Lever (Floor Mounted)

68	Corvette (exc. C.A.C.)	3919790	1	13.45	tunnel, front console trim
69	Corvette (350)	3958741	1	1.60	console trim, eng. spec. (350 cu. in.-300 hp.)
69	Corvette (H/Per. w/4BC) (427)	3958742	1	.83	console trim, eng. spec. (427 cu. in.-390 hp.)
69	Corvette (H/Per. w/3/2BC) (427)	3958743	1	.83	console trim, eng. spec. (427 cu. in.-400 hp.)
69	Corvette w/Sp. H/Per. (427)	3958745	1	.83	console trim, eng. spec. (427 cu. in.-435 hp.)
69	Corvette w/aluminum head (427)	3958746	1	.83	console trim, eng. spec. (427 cu. in.-ZL1)
69	Corvette w/H.D. (427)	3958747	1	.83	console trim, eng. spec. (427 cu. in.-L88)
70	Corvette (H/Per. w/4BC) (454)	3976372	1	1.18	console trim, eng. spec. (454 cu. in.-390 hp.)
71	Corvette w/H/Per. (454)	3995089	1	1.18	console trim, eng. spec. (454 cu. in.-365 hp.)
71	Corvette (350)	3995090	1	.83	console trim, eng. spec. (350 cu. in.-330 hp.)
69-71	Corvette (exc. C.A.C.)	3977858	1	26.85	PLATE ASSY., tunnel front console trim (Note 1)

NOTE 1 It may be necessary to drill 2 .18 inch holes in rr. corners for attachment & plug 2 existing holes at lettering location.

69-71	Corvette w/C.A.C.	3977860	1	26.85	PLATE ASSY., tunnel front console trim
72-74	Corvette w/C.A.C.	3996820	1		PLATE ASSY., tunnel frt. console trim
75-76	Corvette w/C.A.C.	355400	1	26.85	PLATE ASSY., tunnel front console trim
72-76	Corvette (exc. C.A.C.)	355399	1	26.85	PLATE ASSY., tunnel front console trim
70-71	Corvette (exc. C.A.C.)	3964123	1	11.00	INSERT, console trim plate
70-71	Corvette w/C.A.C.	3964126	1	11.00	INSERT, console trim plate
72-76	Corvette (exc. C.A.C.)	333517	1	11.00	INSERT, console trim plate
72-76	Corvette w/C.A.C.	333518	1	11.00	INSERT, console trim plate
76	Corvette (exc. C.A.C.)	362914	1		INSERT, console trim plate
76	Corvette w/C.A.C.	362913	1		INSERT, console trim plate
68-76	Corvette	3926335	1	.55	SEAL, trans. control lever, upper (black plastic)
68-76	Corvette	3926336	1	2.02	SEAL, trans. control lever, lower (black plastic)

4.020 PLATE— DIAL— RETAINER, Transmission Control Selector

68-70	Corvette	3928807	1	2.71	selector
71-76	Corvette	3990800	1	3.52	indicator dial
71-76	Corvette	6262643	1	1.25	DIAL, trans. control indicator
71-76	Corvette	3990799	1	1.20	RETAINER, control indicator dial

4.022 PLATE— RETAINER— WASHER, Gearshift Lever Selector and Indicator

68-76	Corvette	3922322	1	3.57	control lever seal tapping
68-76	Corvette	3922321	1	1.81	RETAINER, control lever seal
68-76	Corvette	3859790	1	.48	WASHER, control lever

4.025 TUBE ASSY., Gearshift Control

69-70	Corvette w/T.W., Tel. W.	7805162	1	24.10	strg. col. shifter
69-74	Corvette (exc. T.W., Tel. W.)	7805747	1	25.00	strg. col. shifter
70-74	Corvette w/T.W., Tel. W.	7805702	1	36.00	strg. col. trans. control lock tube

4.027 RING— GATE— SCREW— SEAL— SPRING— WASHER, Control Shaft or Tube

69-76	Corvette w/T.W., Tel. W.	7804907	1	.44	support and shift tube retainer
71-72	Corvette w/T.W., Tel. W.	7811592	1	1.55	GATE, strg. col. gearshift lever
69-70	Corvette (exc. T.W., Tel. W.)	7806109	1	1.05	SCREW, column shift tube index
71-72	Corvette w/T.W., Tel. W.	7807007	1	.46	SEAL, strg. col. shift tube
68-76	Corvette	3859791	1	.60	SPRING, control lever lower
69-70	Corvette (exc. T.W., Tel. W.)	7804446	1	.81	SPRING, shift tube thrust
71-76	Corvette (exc. T.W., Tel. W.)	7810567	1	.90	SPRING, strg. col. shift tube return lower
71-72	Corvette w/T.W., Tel. W.	7808481	1	.98	SPRING, shift tube thrust
69-76	Corvette (exc. T.W., Tel. W.)	7807427	1	.44	WASHER, shift tube thrust

4.045 LEVER, Transmission Mounted Gearshift (External)

68-76	Corvette	3949083	1	2.00	park. lock and range selector actuator
-------	----------	---------	---	------	--

TURBO-HYDRAMATIC TRANSMISSION

4.047		CABLE ASSY.— BRACKET— PIN— PLATE— SEAL— SPRING, Transmission Gearshift Control Cable		
68-76	Corvette	3958079	1	11.05 control
68-76	Corvette	9788709	1	1.90 BRACKET, control cable
68-76	Corvette	9779348	1	.67 PIN, control cable
68-76	Corvette	3926278	1	.49 PLATE, control cable seat retainer tapping
76	Corvette	6264901	1	.26 SEAL, "O" ring, detent control cable
74	Corvette	334961	1	.18 SPRING, trans. control cable— (4.681)
4.052		CLIP, Transmission Throttle Valve Control		
68-69	Corvette	3711177 A.R.		.26 lower and upper, front rod— (3.425)
4.054		SWITCH ASSY.— BRACKET— PIN— WIRE ASSY., Transmission Control Safety		
68-72	Corvette	3948538	1	4.25 neutral
73	Corvette	6273357	1	4.25 neutral safety and backing lamp and seat belt warn
74-76	Corvette	6258276	1	3.81 neutral safety and backing lamp, and seat belt warning
71	Corvette	3990852	1	.53 BRACKET, trans. control relay mounting
68-72	Corvette	456623	1	.29 PIN, neutral safety switch— (8.940)
68-70	Corvette	6295068	1	6.70 WIRE ASSY., control switch
4.057		SWITCH ASSY., Transmission Throttle Control (Electric)		
68-69	Corvette	1993424	1	5.30 control
70-76	Corvette	1242101	1	2.75 control
4.060		BRACKET— FASTENER, Transmission Control Switch		
70-73	Corvette	340693	1	2.18 control switch
75-76	Corvette	340693	1	2.18 control switch
	Not required in this group. See Group 4.008			
		564708	1	.15 FASTENER
4.070		BRACKET— CABLE ASSY.— RETAINER, Transmission Control Lock Cable		
69-76	Corvette	3949085	1	1.92 control lock cable
69-76	Corvette	3949076	1	1.60 BRACKET ASSY., control lock cable
69-76	Corvette	3949075	1	7.75 CABLE ASSY., control lock (2 1/8")
68-74	Corvette	3875092 A.R.		RETAINER, front and rear— (4.785)
4.075		SWITCH ASSY.— CLIP— CONNECTOR— LEAD ASSY.— RELAY ASSY.— SOLENOID ASSY.— WIRE ASSY., Transmission Smog Control		
	<i>NOTE See 2.408 group for electrical parts.</i>			
69-72	Corvette	1242101	1	2.75 trans. control— (4.057)
70-71	Corvette	6462286	1	2.01 control spark
72	Corvette,			
73	Corvette (350)	8627332	1	6.50 control spark
70-72	Corvette,			
73-74	Corvette (exc. Sp. H/Per.)	8623766	1	.19 CLIP, control switch wire lead
70-72	Corvette	8626597	1	2.69 CONNECTOR, control switch (elec.)
70-72	Corvette	8626426	1	1.56 LEAD ASSY., w/conn. spark switch to case connector
70	Corvette	3961573	1	2.59 RELAY ASSY., control spark
71	Corvette	3990842	1	2.28 RELAY ASSY., control switch reversing
71	Corvette	3990843	1	2.75 RELAY ASSY., control switch delay
72	Corvette	3996297	1	3.35 RELAY ASSY., control vac. advance delay
73	Corvette	6270698	1	1.98 RELAY ASSY., trans. control spark delay
73-74	Corvette	1997413	1	8.25 SOLENOID ASSY., temp. control spark
73	Corvette (350)	8626426	1	1.56 WIRE ASSY., T.C.S. switch to elec. conn. lead
4.081		MOUNTING ASSY., Transmission Mounting		
68-76	Corvette	3872247	1	4.85 (orange paint marking, part No. molded on piece)
4.103		CASE, Transmission		
68-72	Corvette	8624966	1	(Note 1)
	<i>NOTE 1 Includes governor driven gear.</i>			
73-76	Corvette	8626953	1	175.20 CASE ASSY., trans.
4.104		BUSHING— PIPE, Transmission Case		
68-76	Corvette	8623941	1	1.80
68-72	Corvette	8623425	1	1.00 PIPE, vent. (w/sleeve)
4.115		CONVERTER ASSY.— BOLT, (Rebuilt by General Motors), Transmission		
68-69	Corvette (427) (exc. Sp. H/Per., H.D.),			

TURBO-HYDRAMATIC TRANSMISSION

4.115 CONVERTER ASSY.— BOLT, (Rebuilt by General Motors), Transmission (Con't)

70-74	Corvette (454) (exc. H.D., Sp. H/Per.)	8623990	1	75.90	torque (Exchange Item, Note 1)
68-72	Corvette (350)				
73-76	Corvette (350) (exc. Sp. H/Per.)	8623964	1	75.90	torque (Exchange Item, Note 1)
69	Corvette Sp. H/Per., H.D. (427)				
71	Corvette w/Sp. H/Per. (454)	8625982	1	143.85	torque (complete) (Exchange Item, Note 1)
73-76	Corvette w/Sp. H/Per. (350)	8626944	1	136.00	torque (Exchange Item, Note 1)
73-76	Corvette	3987930	A.R.	.20	BOLT , trans. to flywheel

NOTE 1 List price shown does not include exchange charge. Refer to dealer parts price schedule for exchange charge.

4.123 SHAFT, Transmission Input

68-76	Corvette	8624772	1	21.55	
--------------	----------	----------------	---	-------	--

4.128 CLIP— CONNECTOR— GASKET— PIPE ASSY., Transmission Oil

68-74	Corvette	3710497	A.R.	.10	inlet and outlet pipe assy.
68	Corvette	386297	1	.37	CONNECTOR , cooler inlet and outlet pipe assy. to trans.
70-76	Corvette	8626632	2	1.43	CONNECTOR , oil cooler inverted flared
70-76	Corvette	8625422	2	.13	GASKET , cooler (steel) (2 ⁵ / ₃₂ " O.D., 1 ⁷ / ₃₂ " I.D. x 1/16" thk.)

69	Corvette,				
70-72	Corvette (454) (exc. Sp. H/Per.)				
73-76	Corvette	3973884	1	1.07	PIPE ASSY. , oil cooler inlet at rad.

4.133 TUBE ASSY.— GAUGE ASSY.— SEAL, Transmission Oil Filler

68-73	Corvette	330120	1	2.00	(23")
74-76	Corvette	340659	1	1.80	(23")
68-73	Corvette	1387568	1	1.05	GAUGE ASSY. , w/cap
74-76	Corvette	1244421	1	.85	GAUGE ASSY. , w/cap
68-74	Corvette	6264902	1	.21	SEAL , oil filler tube— (0.429)

4.159 GEAR— BEARING UNIT, Transmission Sun Gear and Parts

68-76	Corvette	8626807	1	17.65	
68-76	Corvette	8623921	1	2.28	BEARING UNIT , w/race sun gear rear intermediate gear thrust
68-76	Corvette	8623920	1	2.15	BEARING UNIT , w/race center supt. to sun gear thrust

4.161 SHAFT ASSY.— BUSHING, Transmission Planet

68-76	Corvette	8623177	1	21.30	sun gear
73-74	Corvette	8623944	4	2.28	BUSHING , stator and sun gear shaft

4.162 BOLT— BUSHING— RING— SCREW— SPACER— SUPPORT ASSY.— WASHER, Low Sun Gear and Clutch

68-76	Corvette	8624009	1	.78	case to center support
68-74	Corvette	8623942	1	6.40	BUSHING , center supt.
68-76	Corvette	8623437	1	1.87	RING , center supt. to case snap
68-76	Corvette	8623148	4	.78	RING , center support oil seal
68	Corvette	8623498	1	.72	SCREW , case to center support lock
70-76	Corvette	8626816	1	1.43	SPACER , center support
70-76	Corvette	8625990	1	73.75	SUPPORT ASSY. , w/race, center
68-76	Corvette	8624783	1	.67	WASHER , center support to reaction carrier thrust

4.163 PLATE, Transmission Clutch Drive and Driven

68-76	Corvette	8623122	1	7.40	direct clutch backing
68-76	Corvette	8623150	A.R.	2.33	intermediate clutch reaction (Note 1)
<i>NOTE 1 Use qty of two with (350, 454) CID engine (exc. SP/H Per) use qty of 3 with SP/H Per (350).</i>					
68-72	Corvette,				
73-76	Corvette (exc. Sp. H/Per.)	8623151	3	2.50	intermediate clutch driving
68-72	Corvette,				
73-76	Corvette (exc. Sp. H/Per.)	8623152	1	7.95	intermediate clutch backing
68-72	Corvette,				
73-76	Corvette (350)	8623849	4	1.57	forward clutch driven (.078" thk.)
68-76	Corvette	8623851	2	2.65	forward clutch driven wave (Note 3)
<i>NOTE 3 Use qty of two with (350, 454) CID engine (exc. SP/H Per) use qty of one with SP/H Per (350)</i>					
68-72	Corvette,				
73-76	Corvette (exc. Sp. H/Per.)	8624199	1	2.65	intermediate clutch reaction wave
68-76	Corvette				direct clutch driven,
73-74	Corvette (454)	8625197	A.R.	2.58	forward clutch (.092 thk.) (Note 4)

NOTE 4: Use qty. of 4 when using as fwd. clutch plate on (454). When using as direct clutch plate use qty. of 4 on (350) (exc. Sp/H Per.), qty. of 5 on (454), and qty. of 6 with Sp/H Per. (350).

TURBO-HYDRAMATIC TRANSMISSION

4.163 PLATE, Transmission Clutch Drive and Driven (Con't)

68-76	Corvette	8623483	A.R.	1.97	PLATE ASSY. , forward and direct clutch drive (42 teeth) (Note 2)
<i>NOTE 2 Use qty of 10 with (350) CID engine (exc. SP/H Per), use qty of 11 on models with (454) or SP/H Per (350).</i>						
69	Corvette w/Sp. H/Per., H.D. (427),					
71	Corvette w/Sp. H/Per. (454),					
73-76	Corvette w/Sp. H/Per. (350)	8626363	3	6.89	PLATE ASSY. , inter. clutch

4.164 HUB— RETAINER— RING— SPRING— WASHER, Transmission

68-76	Corvette	8625718	1	15.45	direct clutch
68-76	Corvette	8625717	1	15.05	forward clutch
68-76	Corvette	8623104	2	.50	RETAINER , forward or direct clutch piston release spring
68-76	Corvette	8623148	1	1.23	RETAINER , intermediate clutch spring
68-76	Corvette	8623105	2	.22	RING , forward or direct clutch piston release spring retaining snap (1 ⁵ / ₈ " I.D.)
68-76	Corvette	8623112	1	1.65	RING , forward or direct clutch ret. snap
68-76	Corvette	8623153	1	.35	RING , inter. clutch release spring ret. (3" I.D.)
68-76	Corvette	8623149	1	1.28	RING , inter. clutch ret. snap (7 ¹ / ₈ " I.D.)
68-69	Corvette	8623103	16	.21	SPRING , direct clutch piston release
68-76	Corvette	8623145	3	.13	SPRING , intermediate clutch release
68-76	Corvette	8624101	16	.13	SPRING , forward clutch piston release
69-76	Corvette	8624073	16	.21	SPRING , direct clutch release
68-76	Corvette	8624198	1	.86	WASHER , forward clutch hsg. to forward clutch hub thrust
69-76	Corvette	8624781	1	.39	WASHER , forward clutch hub to direct clutch hub thrust

4.166 PISTON— SEAL UNIT, Transmission Clutch

68-72	Corvette (exc. 454),					
71	Corvette w/Sp. H/Per. (454),					
73-76	Corvette (350)	8624016	1	11.80	forward clutch
68-72	Corvette	8624210	1	7.85	intermediate clutch
70-74	Corvette (454) (exc. H.D., Sp. H/Per.)		8625505	1	13.22	forward clutch
68-72	Corvette (exc. 454),					
73-74	Corvette (350) (exc. Sp. H/Per.)	8625514	1	13.00	PISTON ASSY. , direct clutch
69	Corvette w/Sp. H/Per., H.D. (427),					
71	Corvette w/Sp. H/Per. (454),					
73-76	Corvette w/Sp. H/Per. (350)	8626544	1	24.14	PISTON ASSY. , direct clutch
70-74	Corvette (454) (exc. H.D., Sp. H/Per.)		8625384	1	13.66	PISTON ASSY. , direct clutch
73-76	Corvette	8626938	1	7.85	PISTON ASSY. , inter. clutch
68-76	Corvette	8623917	2	3.63	SEAL UNIT , forward or direct cl. piston
68-76	Corvette	8623918	1	2.61	SEAL UNIT , intermediate clutch piston

4.167 SPRAG ASSY.— RETAINER— RING— ROLLER ASSY., Transmission Forward Cone Freewheel

68-72	Corvette,					
73-76	Corvette w/Sp. H/Per. (350)	8623116	1	17.20	w/bushing
68-76	Corvette	8623119	1	2.03	RETAINER , intermediate clutch sprag
68-76	Corvette	8623120	1	.28	RING , inter. cl. sprag ret. snap (2 ³ / ₄ " I.D.)
73-74	Corvette (exc. Sp. H/Per.)	8625814	1	12.60	ROLLER ASSY. , inter clutch

4.168 RACE— BUSHING, Forward Cone Freewheel

68-76	Corvette	8623117	1	25.25	intermediate clutch sprag outer
68-72	Corvette,					
73-74	Corvette w/Sp. H/Per. (350)	8623945	2	1.80	BUSHING , intermediate sprag assy.

4.169 HOUSING— WASHER, Transmission Clutch

68-76	Corvette	8624908	1	31.40	forward clutch
68-72	Corvette (exc. 454)	8623061	1	47.35	HOUSING ASSY. , direct clutch (w/race)
69	Corvette, Sp. H/Per. (427),					
70-72	Corvette (454),					
73-76	Corvette w/Sp. H/Per. (350)	8625756	1	48.65	HOUSING ASSY. , direct (w/race)
73-74	Corvette (350) (exc. Sp. H/Per.)	8625816	1		HOUSING ASSY. , w/cam direct clutch
73-74	Corvette (454)	8627388	1	56.67	HOUSING ASSY. , w/cam direct clutch
68-76	Corvette	8623300	1	.95	WASHER , oil pump cover to forward clutch hsg. thrust (.060-.064" thk.) (yellow)
68-76	Corvette	8623301	1	.95	WASHER , oil pump cover to forward clutch hsg. thrust (.071-.075" thk.)

TURBO-HYDRAMATIC TRANSMISSION

4.169 HOUSING— WASHER, Transmission Clutch (Con't)

68-76	Corvette	8623302	1	.95	WASHER, oil pump cover to forward clutch hsg. thrust (.082-.086" thk.) (red)
68-76	Corvette	8623303	1	.95	WASHER, oil pump cover to forward clutch hsg. thrust (.093-.097" thk.) (brown)
68-76	Corvette	8623304	1	.95	WASHER, oil pump cover to forward clutch hsg. thrust (.104-.108" thk.) (green)
68-76	Corvette	8623305	1	.95	WASHER, oil pump cover to forward clutch hsg. thrust (.115-.119" thk.) (black)
68-76	Corvette	8623306	1	.95	WASHER, oil pump cover to forward clutch hsg. thrust (.126-.130" thk.) (purple)

4.172 PLUG— RING— SHAFT ASSY., Transmission Main with Gear

68-74	Corvette	8623484	2	.13	main shaft or shaft and bushing output (¹¹ / ₃₂ " dia.)
68-76	Corvette	8625221	1	.22	RING, mainshaft retaining snap
68-76	Corvette	8625738	1	19.60	SHAFT ASSY., w/plug

4.175 CARRIER ASSY.— PINION UNIT— SHAFT— WASHER, Transmission Planet

68-76	Corvette	8625957	1	89.90	output (complete)
68-76	Corvette	8625859	1	93.30	reaction (complete)
68-76	Corvette	8625913	1	28.90	PINION UNIT, reaction and output carrier
68-74	Corvette	8625961	1	53.80	SHAFT, w/bushing output
75-76	Corvette	8627453	1	62.50	SHAFT, w/bushing output
68-74	Corvette	8626372	1	2.60	WASHER, reaction carrier to output carrier, thrust— (4.176)

4.176 BUSHING— RING— WASHER, Planet Carrier

68-74	Corvette	8623943	1	2.02	output shaft
68-76	Corvette	8626112	1	2.43	RING, front internal gear
69-76	Corvette	8626173	1	1.21	RING, snap output front internal gear
68-76	Corvette	8625401	1	2.76	WASHER, output shaft to case rear thrust (.074-.078 thk.) (Note 4)
68-76	Corvette	8625405	1	2.76	WASHER, output shaft to case rr. thrust (.110-.114" thk.) (2 notch tab side O.D.)
68-76	Corvette	8625406	1	2.76	WASHER, output shaft to case rr. thrust (.118-.122" thk.) (3 notch tab side O.D.)
68-76	Corvette	8625403	1	2.76	WASHER, output shaft to case rear thrust (.090-.094" thk.) (2 notch tab side) (Note 4)
68-76	Corvette	8625402	1	2.76	WASHER, output shaft to case rear thrust (.082-.086" thk.) (1 notch tab side) (Note 4)
68-76	Corvette	8625404	1	2.76	WASHER, output shaft to case rear thrust (.098-.102" thk.)
68-74	Corvette	8626372	1	2.60	WASHER, output shaft to case front thrust (3 ⁹ / ₃₂ " O.D.)

NOTE 4 Use selectively.

4.180 SPRAG ASSY.— ROLLER UNIT, Transmission Rear Ring Gear

68-76	Corvette	8623842	1	13.55	low clutch w/16 rollers (Note 1)
71-76	Corvette	8624960	1	.86	ROLLER UNIT, low clutch

4.187 GEAR— BEARING UNIT, Transmission Rear Unit

68-76	Corvette	8623202	1	27.15	rear internal mainshaft
68-76	Corvette	8623922	1	2.15	BEARING UNIT, w/race, rear intermediate gear output thrust

4.195 PAN, Transmission Oil

68-76	Corvette	8625766	1	10.25	(Note 1)
-------	----------	---------	---	-------	----------

NOTE 1 Pan has two stamped bosses for identification.

4.196 GASKET, Transmission Oil Pan

68-72	Corvette	8623266	1	.74	
73-76	Corvette	8626931	1	.91	

4.197 PIPE ASSY.— BOLT— FILTER ASSY.— GROMMET— SEAL, Oil Pan Pump Suction

68-76	Corvette	8626886	1	2.32	oil filter inlet (Note 1)
68-76	Corvette	8625769	1	.43	BOLT, shoulder (Note 1)
68-76	Corvette	6259423	1	N.L.	FILTER ASSY., oil pump
68-76	Corvette	6437746	1	.40	GROMMET, oil pump filter assy. (Note 1)
68-76	Corvette	1363951	1	.29	SEAL, oil pump filter intake pipe to case ("O" ring)

TURBO-HYDRAMATIC TRANSMISSION

4.197 PIPE ASSY.— BOLT— FILTER ASSY.— GROMMET— SEAL, Oil Pan Pump Suction (Con't)

NOTE 1 For use with 2nd design filter assy. 6437741.

4.205 MODULATOR UNIT— CLIP— HOSE— PIPE ASSY.— RETAINER— SEAL— TEE— VALVE, Vacuum

68-76	Corvette	3027222	1	18.75	vac.
74	Corvette	2381318	1	.21	CLIP, vac. mod. pipe— (5.660)
74	Corvette	326560	2	.28	HOSE, vac. mod. pipe
68-76	Corvette (exc. 454)	3937972	1	6.85	PIPE ASSY., vac. modulator
74-76	Corvette	346310	1	5.80	PIPE ASSY., trans. vac. modulator
68-73	Corvette	1357282	1		RETAINER, vacuum mod.
74-76	Corvette	8627650	1	.31	RETAINER, vac. modulator
68-74	Corvette	6264903	1	.19	SEAL, vacuum modulator to case
69	Corvette H/Per. (427)	3752621	1	.20	TEE, special hose (nylon) switch hose
68-76	Corvette	8623983	1	4.60	VALVE

4.216 PIN— SPRING, Main Valve

68-72	Corvette	8624482	2	.28	cont. valve 1 and 2 mod. bushing— (4.265)
68-76	Corvette	8625648	1	1.66	SPRING, front oil pump pressure regulator valve (Note 1)

NOTE 1 Use with 2nd design Filter Assy. 6437741.

4.224 PUMP ASSY.— COVER ASSY., Transmission Oil

68-76	Corvette	8625954	1	61.95	
68-76	Corvette	8625955	1	72.30	COVER ASSY., front oil pump

4.226 GASKET— BUSHING— RING— SEAL— PIN, Transmission Front Servo

68-76	Corvette	8623978	1	1.11	front oil pump to case
68-72	Corvette	8623944	1	2.28	BUSHING, conv. stator shaft— (4.161)
68-76	Corvette	8623940	1	1.58	BUSHING, oil pump body
68-74	Corvette	8623148	2	.78	RING, front oil pump oil seal— (4.162)
68-74	Corvette	3884683	8	.06	SEAL, front oil pump to trans. case
75-76	Corvette	6261413	8	.72	SEAL, front oil pump to trans. case
68-76	Corvette	8626916	1	3.19	SEAL ASSY., front oil pump
68-76	Corvette	8623078	2	.09	PIN, front oil pump pressure regulator valve plug retaining

4.228 PISTON— RING— ROD, Low Servo

68-70	Corvette	8623649	1	2.56	front servo
68-70	Corvette	8623652	1	3.52	front accumulator
71-76	Corvette	8626878	1	2.81	front servo
71-76	Corvette	8626883	1	5.20	front accum.
71-76	Corvette	8626884	1	.28	RING, front servo spring retaining
68-70	Corvette	8623651	1	2.20	ROD, front servo piston
71-76	Corvette	8626879	1	1.18	ROD, front servo piston

4.229 RING, Transmission Front Servo Piston Parts

68-76	Corvette	8623653	1	.57	front accumulator piston oil seal
68-76	Corvette	8623131	1	.93	front servo piston oil seal

4.233 SPRING— RETAINER, Transmission Front Servo

68-76	Corvette	8623489	1	.69	front servo piston
68-69	Corvette (H/Per. w/4BC) (427),				
70-72	Corvette (350),				
73-76	Corvette (350) (exc. Sp. H/Per.)	8624358	1	1.95	front accumulator piston
69	Corvette H/Per. (427) (exc. 4BC),				
70	Corvette (454),				
72	Corvette (454),				
73-76	Corvette (350) (exc. Sp. H/Per.)	8623676	1	1.80	front accum. piston
71	Corvette (454) (exc. Sp. H/Per.)	8623654	1	1.15	front accum. piston
73	Corvette w/Sp./H. Per. (350)	8623674	1	1.30	front accum piston
68-70	Corvette	8623704	1	.57	RETAINER, front servo spring
71-76	Corvette	8626881	1	.36	RETAINER, front servo spring

4.241 PISTON— GASKET— WASHER— COVER— PIN, Reverse Servo

68-76	Corvette	8626902	1	8.60	rear accumulator (Note 1)
<i>NOTE 1 Consists of piston, 1 teflon and 1 alum. seal ring.</i>					
68-76	Corvette	8624138	1	7.40	rear servo
68-76	Corvette	8623174	1	.31	GASKET, rear servo cover
68-76	Corvette	8623744	1	.34	WASHER, rear servo piston
68-76	Corvette	8624136	1	4.55	COVER, rear servo
68-76	Corvette	8624139	1	2.97	PIN, rear servo piston-1 ring (3 ⁵ / ₁₆ " O.L.)
68-76	Corvette	8624140	1	2.97	PIN, rear servo piston-2 rings (3 ⁷ / ₁₆ " O.L.)
68-76	Corvette	8624141	1	2.97	PIN, rear servo piston-3 rings (3 ⁷ / ₁₆ " O.L.)

TURBO-HYDRAMATIC TRANSMISSION

4.242 SEAL— RING, Transmission Rear Servo					
68-76	Corvette	8623430	1	.43	rear servo piston
68-72	Corvette	8623672	1	1.15	rear accum. piston outer oil seal
68-76	Corvette	8623671	1	1.27	RING , rear accum. piston inner oil seal
71-76	Corvette	8627153	1	.73	RING , rear accum. piston outer oil seal
4.246 SPRING, Reverse Brake Band					
68-76	Corvette	8623666	1	.69	rear servo
68-72	Corvette (427, 454),				
73-74	Corvette (454),				
73-76	Corvette w/Sp. H/Per. (350)	8624391	1	.86	rear accumulator
68-72	Corvette (327, 350, 396),				
73-76	Corvette (350) (exc. Sp. H/Per.)	8624256	1	.69	rear accumulator
4.247 RETAINER, Transmission Rear Servo					
68-76	Corvette	8623664	1	.43	rear servo piston spring
4.248 PIPE— SCREEN ASSY., Transmission Oil					
68-76	Corvette	8623157	1	1.15	governor oil
68-70	Corvette	8624471	1	.41	SCREEN ASSY. , trans. governor
71-76	Corvette	8627509	1	.53	SCREEN ASSY. , trans. governor
4.251 BAND ASSY., Transmission Brake					
68-76	Corvette	8623123	1	11.95	trans. front
68-76	Corvette	8623155	1	24.40	trans. rear
4.256 GOVERNOR ASSY.— COVER— GEAR UNIT— GASKET— PIN, Transmission					
68-69	Corvette (427)	8625622	1	23.97	w/out stop pin
68	Corvette (exc. H/Per. 427)	8623898	1	19.80	
69	Corvette (Sp. H/Per., H.D., 427)	8626612	1	22.06	complete
69	Corvette (350),				
69	Corvette (427) (exc. 4BC)	8627442	1	23.02	complete
70	Corvette (454)	8623852	1	22.50	
70-72	Corvette (350),				
71	Corvette (454) (exc. Sp. H/Per.),				
72-74	Corvette (454),				
73-76	Corvette (350) (exc. Sp. H/Per.)	8627443	1	22.96	
71	Corvette w/Sp. H/Per. (454),				
73-76	Corvette w/Sp. H/Per. (350)	8627444	1	23.02	
68-76	Corvette	8623262	1	1.00	COVER , governor
68-76	Corvette (2nd design)	8623924	1	3.32	GEAR UNIT , w/pin gov. driven (Note 1)
68	Corvette (1st design)	8624912	1	1.23	GEAR UNIT , w/pin gov. driven (Note 2)
68-76	Corvette	8623263	1	.19	GASKET , gov. cover
68-76	Corvette	8623232	2	.21	PIN , governor (17/8" O.L.)
4.265 VALVE— BOOSTER UNIT— CONNECTOR— GASKET— PIN— PLATE— PLUG— SOLENOID ASSY.— SPACER UNIT— WASHER, Trans. Oil Control					
68-76	Corvette	8623592	1	1.95	manual control
68	Corvette (exc. H/Per. 427)	8625979	1	89.21	VALVE ASSY. , oil control
<i>NOTE 3 Must include tapped hole for strainer.</i>					
68-74	Corvette	8623422	1	3.19	VALVE ASSY. , w/plug press. reg.
69	Corvette (350),				
69	Corvette w/H/Per. (427) (exc. 3/2BC)	8626086	1	89.21	VALVE ASSY. , oil control
69	Corvette w/H/Per. (427) (exc. 4BC)	8626311	1	95.03	VALVE ASSY. , control
69	Corvette w/Sp. H/Per. H.D. (427)	8626367	1	89.21	VALVE ASSY. , control
70	Corvette (350)	8626840	1	100.30	VALVE ASSY. , control
70	Corvette (454) (exc. H.D.)	8626766	1	98.45	VALVE ASSY. , control
71-72	Corvette (350)	8627164	1	105.22	VALVE ASSY. , control
71-72	Corvette (454) (exc. Sp. H/Per.)	8627244	1	98.45	VALVE ASSY. , control
71	Corvette w/Sp. H/Per. (454),				
73	Corvette w/Sp. H/Per. (350)	8627360	1	98.39	VALVE ASSY. , control
73-74	Corvette (350) (exc. Sp. H/Per.)	8627604	1	98.45	VALVE ASSY. , control
73	Corvette (454)	8627368	1	98.39	VALVE ASSY. , control
75	Corvette (350)	8627656	1	98.45	VALVE ASSY. , control
68-74	Corvette	8625902	1	5.65	BOOSTER UNIT , w/bushing valve reg.
68-76	Corvette	8626252	1	2.02	CONNECTOR , solenoid sleeve
68-76	Corvette	8623563	1	.67	GASKET , case to transfer plate upper
68-76	Corvette	8623741	1	.19	GASKET , solenoid valve
73-76	Corvette	8623561	1	.67	GASKET , control valve transfer plate
68-76	Corvette	8623507	1	.28	PIN , detent reg. valve

TURBO-HYDRAMATIC TRANSMISSION

4.265		VALVE— BOOSTER UNIT— CONNECTOR— GASKET— PIN— PLATE— PLUG— SOLENOID ASSY.— SPACER UNIT— WASHER, Trans. Oil Control (Con't)	
68-76	Corvette	8624482	2 .28 PIN, control valve body detent, 1, 2 mod. valve
68-74	Corvette	8623078	1 .09 PIN, valve 2, 3 spring retention (4226)
75	Corvette	8623507	1 .28 PIN, detent regulator valve
68-76	Corvette	8625544	1 .28 PIN, valve body plug retainer
68-76	Corvette	8625324	1 .28 PIN, control valve 3-2 valve
75	Corvette	8622046	1 .15 PIN, valve body
69-70	Corvette (350, 427, 454),		
71	Corvette w/Sp. H/Per. (454)	8624461	1 3.81 PLATE, valve body spacer
69-72	Corvette (350, 427)	8625652	1 3.82 PLATE, valve body spacer
71-74	Corvette (454) (exc. Sp. H/Per.)		
73-76	Corvette (350) (exc. Sp. H/Per.)	8625663	1 3.82 PLATE, valve body spacer
68-74	Corvette	8623292	1 .34 PLUG, press reg. valve bore
68-76	Corvette	8623295	1 .34 PLUG, valve body detent valve bore
68-76	Corvette	8623298	1 .36 PLUG, valve body 3-2 valve bore (7/16")
68-74	Corvette	8625546	1 .34 PLUG, valve body bore (9/16" O.D.)
68-76	Corvette	1993620	1 8.70 SOLENOID ASSY.
68-74	Corvette	8623368	1 .10 SPACER UNIT, press reg. spring
68-74	Corvette	8623039	1 .21 WASHER, front oil pump press reg. valve spring ret.
4.275		SHAFT— PIN— SEAL, Transmission Throttle Valve Operating Parts	
68-72	Corvette	8623714	1
73-76	Corvette	8626935	1 4.79 SHAFT UNIT, trans. main
68-74	Corvette	8623232	1 .21 PIN, manual shaft— (4.256)
73-74	Corvette	8621767	1 .29 SEAL, park brake lock and range sel. shaft
68-76	Corvette	8623056	1 .62 SEAL ASSY., manual shift
4.279		LEVER ASSY., Transmission Detent	
68-76	Corvette	8624336	2 2.44 parking brake and range selector shaft
4.290		BRACKET— ACTUATOR ASSY., Transmission Parking Brake	
68-76	Corvette	8623042	1 3.56
68-76	Corvette	8624091	1 4.55 ACTUATOR ASSY., park brake
4.293		ROLLER ASSY., Transmission Reverse Shifter Crank	
68-76	Corvette	8625773	1 1.42 w/spring manual detent
4.294		PAWL— PLUG— SHAFT, Transmission Parking Brake	
68-76	Corvette	8623037	1 4.24
72-76	Corvette	8620318	1 .21 PLUG, park pawl shaft
68-76	Corvette	8624976	1 .71 SHAFT, w/plug park pawl
4.295		SPRING, Transmission Parking Brake	
68-76	Corvette	8623041	1 .43 pawl return
4.317		EXTENSION ASSY., Transmission Rear Main Bearing	
68-76	Corvette	8626785	1 20.10
4.318		GASKET— SEAL, Transmission Rear Bearing Retainer	
68-76	Corvette	8624709	1 .28 trans. case extension to case
68-69	Corvette,		
70-72	Corvette (454)	8616504	1 .19 SEAL, output shaft "O" ring
68-70	Corvette	1243402	1 2.69 SEAL ASSY., extension oil
71-76	Corvette	8626009	1 2.86 SEAL ASSY., extension oil
4.319		BUSHING, Transmission Rear Main Bearing	
68-76	Corvette	8626901	1 2.50 trans. case extension
4.329		ADAPTER, Speedometer	
<i>NOTE For Model application, use speedometer gear chart.</i>			
68-74	Corvette	3932220	1 15.40 (stamped .7333-A)
68-74	Corvette	6477964	1 29.66 (stamped 1.733)
4.337		GEAR, Transmission Speedometer Driven Gears (Only)	

TURBO-HYDRAMATIC TRANSMISSION**DRIVEN GEAR**

Part No.	Driven Gear Teeth	Color Code
1359270	36	White
1359271	37	Red
1359272	38	Blue
1359273	39	Brown
1362048	40	Black
1362049	42	Green
1362195	41	Yellow
1362196	43	Purple
9774413	34	Lt. Green
9775187	45	Lt. Blue
9780470	44	Gray
9780628	35	Pink

TURBO-HYDRAMATIC TRANSMISSION

1968 CORVETTE TURBO-HYDRAMATIC TRANSMISSION (T.H. 400)

SPEEDOMETER GEAR CHART

NOTE: To order Speedometer Gears or Parts, Transmission Type, Rear Axle Ratio and Tire Size must be known.

REAR AXLE RATIO	TIRE SIZE	4.343 GEAR, SPEEDO. DRIVE	4.337 GEAR, SPEEDO. DRIVEN	4.329 ADAPTER, SPEEDO.
2.73	8.45 x 15	8623313	1359270	—
2.73	8.15 x 15, F70 x 15, G70 x 15	8623313	1359271	—
3.07	8.15 x 15, 8.45 x 15, G70 x 15	8623313	1362195	—
3.08	8.15 x 15, 8.45 x 15, G70 x 15	8623313	1362195	—
3.08	F70 x 15	8623313	1362049	—
3.31	8.45 x 15	8623313	1362196	—
3.31	8.15 x 15, G70 x 15	8623313	9775187	—
3.36	8.45 x 15	8623313	1362196	—
3.36	8.15 x 15, G70 x 15	8623313	9775187	—

1969 CORVETTE SPEEDOMETER GEAR CHART

NOTE: To order Speedometer Gears or Parts, Transmission Type, Rear Axle Ratio and Tire Size must be known.

TURBO HYDRAMATIC TRANSMISSION (T.H. 400) (exc. H.D., Sp. H/Per. 427)

REAR AXLE RATIO	TIRE SIZE	4.343 GEAR, SPEEDO. DRIVE	4.337 GEAR, SPEEDO. DRIVEN	4.338 SLEEVE, SPEEDO. DRIVEN GEAR
2.73	8.55 x 15, G78 x 15	8623313	1359270	1485025
2.73	G70 x 15, 8.25 x 15	8623313	1359270	1485025
2.73	F70 x 15	8623313	1359271	1485025
3.07	8.55 x 15	8623313	1362048	1485026
3.07	G70 x 15, 8.25 x 15, G78 x 15	8623313	1362195	1485026
3.08	8.55 x 15	8623313	1362048	1485026
3.08	G70 x 15, 8.25 x 15, G78 x 15	8623313	1362195	1485026
3.08	F70 x 15	8624738	1362049	1485026
3.30	8.55 x 15	8623313	1362196	1485026
3.30	G70 x 15, 8.25 x 15, G78 x 15	8623313	9780470	1485026

TURBO-HYDRAMATIC TRANSMISSION

1969 CORVETTE SPEEDOMETER GEAR CHART (Contd.)

TURBO HYDRAMATIC TRANSMISSION (T.H. 400) (H.D., Sp. H/Per. 427)

REAR AXLE RATIO	TIRE SIZE	4.343 GEAR, SPEEDO. DRIVE	4.337 GEAR, SPEEDO. DRIVEN	4.329 ADAPTER, SPEEDO.	4.338 SLEEVE, SPEEDO. DRIVEN GEAR
2.73	F70 x 15	8623311	9774413	—	1485025
3.07	8.55 x 15, G78 x 15	8623311	1359270	—	1485025
3.07	G70 x 15, 8.25 x 15	8623311	1359271	—	1485025
3.08	F70 x 15	8623311	1359271	—	1485025
3.30	8.55 x 15	8623311	1359272	—	1485025
3.30	G70 x 15, 8.25 x 15, G78 x 15	8623311	1359273	—	1485025
3.36	F70 x 15	8623311	1362195	—	1485026
3.54	8.55 x 15	8623311	1362195	—	1485026
3.54	G70 x 15, 8.25 x 15, G78 x 15	8623311	1362049	—	1485026
3.72	8.55 x 15	8623311	1362196	—	1485026
3.72	G70 x 15, 8.25 x 15, G78 x 15	8623311	9780470	—	1485026
4.10	8.55 x 15	8623311	9780628	3932220	1485025
4.10	G70 x 15, 8.25 x 15, G78 x 15	8623311	1359270	3932220	1485025
4.55	8.55 x 15, G78 x 15	8623311	1359273	3932220	1485025
4.55	G70 x 15, 8.25 x 15	8623311	1362048	3932220	1485026
4.87	8.55 x 15, G70 x 15, G78 x 15	8623311	1362049	3932220	1485026
4.87	8.25 x 15	8623311	1362196	3932220	1485026

1970 CORVETTE SPEEDOMETER GEAR CHART

CORVETTE w/TURBO HYDRAMATIC TRANSMISSION (T.H. 400) (exc. Sp. H/Per. 454)

REAR AXLE RATIO	REAR TIRE SIZE	4.337 GEAR, SPEEDO. DRIVEN	4.343 GEAR, SPEEDO. DRIVE	4.338 SLEEVE, SPEEDO. DRIVEN GEAR
2.73	F70 x 15, 8.25 x 15	1359271	8623313	1362294
2.73	H70 x 15, H78 x 15	1359270	8623313	1362294
3.08	F70 x 15	1362049	8623313	1362293
3.36	F70 x 15	9775187	8623313	1362293

CORVETTE w/TURBO-HYDRAMATIC TRANSMISSION (T.H. 400) (Sp. H/Per. 454)

REAR AXLE RATIO	REAR TIRE SIZE	4.337 GEAR, SPEEDO. DRIVEN	4.343 GEAR, SPEEDO. DRIVE	4.338 SLEEVE, SPEEDO. DRIVEN GEAR
2.73	F70 x 15	9774413	8623311	1362294
3.08	F70 x 15	1359271	8623311	1362294
3.36	F70 x 15	1362195	8623311	1362293

TURBO-HYDRAMATIC TRANSMISSION

1971 CORVETTE SPEEDOMETER GEAR CHART

T.H. 400 (350, Sp. H/Per. 454)

REAR AXLE RATIO	REAR TIRE SIZE	4.343 GEAR SPEEDO. DRIVE	4.337 GEAR SPEEDO. DRIVEN	4.338 SLEEVE SPEEDO. DRIVEN GEAR
3.08	F70-15	8623311	1359271	1362294
3.36	F70-15	8623311	1362195	1362293

(T.H. 400 w/H/Per.) (454)

REAR AXLE RATIO	REAR TIRE SIZE	4.343 GEAR SPEEDO. DRIVE	4.337 GEAR SPEEDO. DRIVEN	4.338 SLEEVE SPEEDO. DRIVEN GEAR
3.08	F70-15	8623313	1362049	1362293
3.36	F70-15	8623313	9775187	1362293

1972 CORVETTE SPEEDOMETER GEAR CHART

T.H. 400 (350, Sp. H/Per. 454)

REAR AXLE RATIO	REAR TIRE SIZE	4.343 GEAR SPEEDO. DRIVE	4.337 GEAR SPEEDO. DRIVEN	4.329 ADAPTER SPEEDO.	4.330 KEY SPEEDO. ADAPTER	4.338 SLEEVE SPEEDO. DRIVEN GEAR
3.08	F70-15	8623313	1362049	—	—	1362293
3.36	F70-15	8623313	9774413	6477964	867209	1362294

(T.H. 400 w/H. Per.) (454)

REAR AXLE RATIO	REAR TIRE SIZE	4.343 GEAR SPEEDO. DRIVE	4.337 GEAR SPEEDO. DRIVEN	4.329 ADAPTER SPEEDO.	4.330 KEY SPEEDO. ADAPTER	4.338 SLEEVE SPEEDO. DRIVEN GEAR
3.08	F70-15	8623313	1362049	—	—	1362293
3.36	F70-15	8623313	9774413	6477964	867209	1362294

1973 CORVETTE TURBO— HYDRAMATIC

CODE	DRIVEN GEARS		SLEEVE ASSY.	CODE	DRIVEN GEARS		SLEEVE ASSY.
A	9780628	35T	1362294	C	1362048	40T	1362293
B	1359272	38T	1362294	D	1362049	42T	1362293

TURBO-HYDRAMATIC TRANSMISSION

1973 CORVETTE TURBO— HYDRAMATIC

TIRE SIZE	3.08 DRIVE GEAR 8623310	3.36 DRIVE GEAR 8623310	3.56 DRIVE GEAR 8623310	3.70 DRIVE GEAR 8623310
GR 70-15	Driven A Adapt -	Driven B Adapt -	Driven C Adapt -	Driven D Adapt -

1974 CORVETTE TURBO-HYDRAMATIC

CODE	DRIVEN GEAR	NUMBER OF TEETH	COLOR	SLEEVE ASSY	CODE	DRIVEN GEAR	NUMBER OF TEETH	COLOR	SLEEVE ASSY
A	9780628	35	Pink	1362294	C	1362048	40	Black	1362293
B	1359272	38	Blue	1362294	D	1362049	42	Green	1362293

TIRE SIZE	3.08 RATIO DRIVE GEAR 8623310	3.36 RATIO DRIVE GEAR 8623310	3.56 RATIO DRIVE GEAR 8623310	3.70 RATIO DRIVE GEAR 8623310
G70-15	A	B	C	D

1975 CORVETTE TURBO-HYDRAMATIC

CODE	DRIVEN GEAR	NUMBER OF TEETH	COLOR	SLEEVE ASSY.	CODE	DRIVEN GEAR	NUMBER OF TEETH	COLOR	SLEEVE ASSY.
A	9780628	35	Pink	1362294	C	1362048	40	Black	1362293
B	1359272	38	Blue	1362294	D	1362049	42	Green	1362293

TIRE SIZE	3.08 RATIO DRIVE GEAR 8623310	3.36 RATIO DRIVE GEAR 8623310	3.56 RATIO DRIVE GEAR 8623310	3.70 RATIO DRIVE GEAR 8623310
670-15	A	B	C	D

4.338 FITTING— RETAINER— RING— SEAL— SLEEVE, Speedometer Driven Gear

68-70	Corvette	3869914	1	2.50	w/seal
68-72	Corvette (exc. P/Trac.)	3708148	1	.11	RETAINER, gear fitting ($\frac{9}{16}$ " I.D.)
68-69	Corvette w/3.08, 2.73 axle, P/Trac.,				
71-74	Corvette	1362215	1	.20	RETAINER, gear sleeve ($\frac{11}{32}$ " I.D.)
73-75	Corvette	1361618	1	.12	RING, speedo driven gear sleeve ret.
73-74	Corvette	6264904	1	.48	SEAL, speedo driven gear sleeve
68-72	Corvette w/P/Trac.	1485026	1		SLEEVE, w/seal
73-74	Corvette w/3.08, 3.36 ratio	1362294	1	4.21	SLEEVE ASSY., driven gear
73-74	Corvette w/3.70, 3.55 ratio	1362293	1	3.52	SLEEVE ASSY., driven gear

4.342 SHAFT ASSY.— SHAFT UNIT— CLIP, Speedometer without Casing

68-74	Corvette	6453991	1		lower flex
75	Corvette	6479325	1		lower flex
69-74	Corvette	6477297	1	1.66	upper flex ($3\frac{7}{16}$ "
68-74	Corvette	6477499	1	3.11	SHAFT UNIT (consists of shaft and tip) (70" O.L.) (Note 1)

NOTE 1 For models requiring maximum length of 81".

68-73	Corvette	6478825	1	6.36	SHAFT UNIT (172" O.L.) (Note 2)
--------------	----------	----------------	---	------	---------------------------------

**4.342 SHAFT ASSY.— SHAFT UNIT— CLIP, Speedometer without Casing
(Con't)**

NOTE 2 For models requiring length of 81" to 172".

69-72	Corvette w/quick release cable	6491006	1	.32	CLIP , instr. cluster cable rel.
73-75	Corvette	3788712	1	.10	CLIP , speedo flex shaft

4.342A SHAFT ASSY., with Casing

68-76	Corvette	6454481	1	8.48	lower flex (CC-291) (24 ³ / ₄ " O.L.)
68	Corvette	6478121	1	6.42	(40") (screw on) (upper)
68	Corvette	6478131	1	9.62	(screw on) (Note 4)

NOTE 4 For models requiring length 76" to 80" shaft.

68	Corvette	6478125	1	7.13	(3.880) (screw on) (Note 5)
-----------	----------	----------------	---	------	-----------------------------------

NOTE 5 For models requiring 52" to 56" shaft.

68	Corvette	6478126	1	8.51	(screw on) (Note 6)
-----------	----------	----------------	---	------	---------------------------

NOTE 6 For models requiring 56" to 60" shaft.

68	Corvette	6478127	1	8.76	(screw on) (Note 7)
-----------	----------	----------------	---	------	---------------------------

NOTE 7: For models requiring 60" to 64" shaft.

69-73	Corvette	6478171	1	5.70	(Note 2)
--------------	----------	----------------	---	------	----------------

NOTE 2 For models requiring length 41" to 44" shaft.

69-73	Corvette	6478178	1	7.96	(snap on) (Note 3)
--------------	----------	----------------	---	------	--------------------------

NOTE 3 For models requiring length 69" to 72" shaft.

69-74	Corvette	6478170	1	5.63	upper (snap on) (Note 8)
--------------	----------	----------------	---	------	--------------------------------

NOTE 8 For models requiring 40".

4.345 CLIP, Speedometer Drive Gear

73-75	Corvette (350) (exc. Sp. H/Per.)	8626089	1	.15	drive gear
--------------	----------------------------------	----------------	---	-----	------------------

GROUP 4.000
BRAKE SECTION



BRAKES

4.589 SWITCH ASSY.—CLAMP, Parking Brake Alarm					
64-66	Corvette	3820885	1	1.01	(11.950)
67-76	Corvette	3901600	1	1.55	w/bracket
63	Corvette	3833129	1	.22	CLAMP , switch (Note 1)
<i>NOTE 1 Parts 3833128 and 3833129 must be used in conjunction with each other.</i>					
4.591 LEVER ASSY.—GUIDE, Parking Brake Apply					
64-66	Corvette	3897398	1	19.50	
67-75	Corvette	3897428	1	20.65	
67-75	Corvette	3897439	1	1.01	GUIDE , lever cable
4.592 HANDLE, Parking Brake					
53-57	Corvette	3699301	1	2.85	chrome
64-66	Corvette	3887783	1	1.97	
4.595 PAWL—PIN, Parking Brake Lever Release					
64-66	Corvette	558903	2	.22	
53-62	Corvette	3721932	1	.11	PIN , guide (3/4" O.L.) (Note 1)
<i>NOTE 1 When installing on some models it may be necessary to drill hole diameter 1/2 larger.</i>					
4.597 SPRING, Parking Brake Release					
53-66	Corvette	3687883	1	.11	pawl (9/16" O.D.—2 1/2" coils) (hand oper.)
4.612 SEAL, Parking Brake Lever					
67	Corvette	3901995	1	.54	
68-76	Corvette	333605	1	.56	under body tunnel rear console park brake lever
4.625 PEDAL ASSY., Brake					
<i>NOTE For floor opening Insulators see group 0.829.</i>					
63-66	Corvette (exc. P.G.)	3908155	1	6.40	
68-73	Corvette (exc. A.T.)	3921649	1	7.05	
68-73	Corvette w/A.T.	3923669	1	6.65	
74-76	Corvette (exc. A.T.)	346336	1	7.25	
74-76	Corvette w/A.T.	346338	1	7.25	
4.626 BUSHING, Brake Pedal					
55-62	Corvette	3709580	2	.17	(1 1/8" O.D. x 19/16" O.L.)
63-67	Corvette (1st design)	3830966	1	.15	pedal return spring bushing
64	Corvette w/C.A.C.	444026	1	.70	pedal shaft lock pin (9/8"—1 1/8")—(8.963)
67-75	Corvette (2nd design) (exc. P.B.),				
76	Corvette	3908768	1	.10	pedal return spring bushing
55-74	Corvette	1247439	A.R.	.10	brake and clutch pedal brake pedal shaft
4.630 COVER—PAD—PLATE, Brake and Clutch Pedal					
58-62	Corvette (exc. P.G.)	3884850	1	.61	brake and clutch
58-67	Corvette w/P.G.	3881784	1	.61	brake
63-67	Corvette (exc. P.B., P.G.)				brake,
63-67	Corvette				clutch,
63-67	Corvette w/Sp. Per. (exc. P.G.)	3988198	1	.59	brake
68-76	Corvette w/A.T.	3888682	1	.89	brake pedal pad
68-76	Corvette (exc. A.T.)	3921648	A.R.	.74	brk. or clutch
55-57	Corvette (exc. Prod. P.B.)	3657980	A.R.	.77	PAD (rubber—3 1/2" x 1 7/8" overall) (Note 1)
68-72	Corvette (exc. A.T.)	3923615	1	.71	PLATE , cover trim brake or clutch
68-72	Corvette w/A.T.	3888683	1	.78	PLATE , cover trim
<i>NOTE 1 Part number appears on these parts.</i>					
4.634 REINFORCEMENT—BRACKET ASSY.—RETAINER—SHAFT, Brake Pedal					
<i>NOTE. Also see groups 0.847 and 4.648 for pedal shaft brackets and master cylinder supports.</i>					
69-71	Corvette	3948131	1	5.10	housing
73-75	Corvette	334773	1	5.10	brake pedal housing
63-66	Corvette	3839140	1	26.50	BRACKET ASSY. , brake pedal
<i>NOTE 2 When using with power brakes remove the 2 lower bolts from bracket assy.</i>					
63-76	Corvette w/A.T.				RETAINER , brake pedal shaft,
73-76	Corvette w/4-Spd.	3828428	1	.20	clutch pedal shaft
63-76	Corvette w/A.T.	3828427	1	.76	SHAFT , brake
4.639 SPRING, Brake Pedal Return					
53-62	Corvette	3698685	1	.31	pedal return—(4.760)
63-64	Corvette (exc. Sp./Per., H.D. Brake),				
65-66	Corvette (exc. P.B.)	3854322	1	.22	pedal return—(4.760)
4.648 BOLT—COVER—GASKET—HOUSING ASSY.—SCREW, Brake Cyl. and Pedal Shaft (Also see group 0.847 for pedal shaft bracket)					
68-76	Corvette (exc. P.B.)	3923616	2	.11	main cyl. (9/8"—16 x 1 3/8")

BRAKES

4.648 BOLT— COVER— GASKET— HOUSING ASSY.— SCREW, Brake Cyl. and Pedal Shaft (Also see group 0.847 for pedal shaft bracket) (Con't)

68-72	Corvette w/P.B.	3945369	1	11.50	COVER, brake pedal hsg.
69-73	Corvette (exc. P.B.)	3945368	1	8.45	COVER, brake pedal hsg.
73-75	Corvette w/P.B.	334759	1	9.60	COVER, brake pedal housing
73-75	Corvette (exc. P.B.)	334767	1	9.60	COVER, brake pedal housing
63-75	Corvette (exc. P.B.)	3792566	1	.12	GASKET, main cyl. (.18" thk.)
68-75	Corvette (exc. P.B.)	3981600	1	17.00	HOUSING ASSY., brake pedal
68-75	Corvette w/P.B.	3981601	1	28.55	HOUSING ASSY., brk. ped.
65-68	Corvette	3874876	1	.15	SCREW, w/lock washer (3/8"— 16 x 1 1/4")— (3.901)

4.649 REPAIR UNIT, Hydraulic Brake Main Cylinder

NOTE. Also see group 4.898 for power brakes.

53-62	Corvette	5454563	1	5.70	(1" dia.) (Note 1)
<i>NOTE 1 Consists of same parts shown with 5454428 plus spring w/retainer.</i>					
64-65	Corvette (exc. Sp. Per.)	5465033	1	6.50	(7/8" dia.) (repair of 5464275)
65-66	Corvette (exc. P.B.)	3871543	1	3.17	(Bendix 617219) (1" dia. cyl.)
65-66	Corvette w/P.B.	5467253	1	2.87	(1" dia. cyl.)
67	Corvette (exc. H.D. Brakes),				
68-75	Corvette (exc. P.B.)	5468452	1	10.70	
67	Corvette w/H.D. Brakes,				
68-75	Corvette w/P.B.	5468450	1	10.50	
69	Corvette w/H.D. Brake	5469406	1	9.70	

4.650 CYLINDER ASSY.— Hydraulic Brake Main

NOTE. Also see group 4.901 for power brakes.

53-62	Corvette	5454480	1	27.75	(1" dia. cyl.— cast 5456022)
63-64	Corvette (exc. Sp. Per., H.D. Brakes),				
65-66	Corvette (exc. Disc Brakes, P.B.)	5464345	1	35.30	(7/8" dia. cyl.) (Moraine)
65-66	Corvette w/Disc Brakes (exc. P.B.)	3866446	1	37.30	(Bendix 618690) (1" dia. cyl.)
65-66	Corvette w/P.B. (Disc Brakes) (2nd design)	2620441	1	68.80	(1" dia. cyl.) (Moraine) (Note 1)
<i>NOTE 1 5467005 has 3/8"— 24 thd. fittings and 5467321 has 1/16"— 24 thd. fittings.</i>					
67	Corvette (exc. H.D. Brake),				
68-75	Corvette (exc. P.B.)	5458833	1	54.60	(1" dia. cyl.) (stamped DC)
67-69	Corvette w/H.D. Brake,				
69-75	Corvette w/P.B.	2622249	1	62.60	(1 1/8" dia.) (Moraine)

4.651 CAP— BAIL— COVER— GASKET, Main Cylinder Filler

53-62	Corvette	5460820	1	.98	
65-66	Corvette w/P.B.	5461247	1	.95	(Moraine)
65-66	Corvette (exc. P.B.)	3871541	1	1.52	(Bendix 618962)
65	Corvette	5462996	1	.57	BAIL, reservoir cover
67-75	Corvette	5455518	2	.83	BAIL, reservoir cover
65	Corvette	5462994	1	.78	COVER, reservoir
67-75	Corvette	5455517	1	3.04	COVER
55-61	Corvette (exc. Bendix Prod. P.B.)	80445	1	.11	GASKET, cap (1 1/4" I.D. x 1 11/16" O.D.— 1/16" fibre)
63	Corvette	5460946	1	.87	GASKET, reservoir
65-66	Corvette	5465725	1	1.25	GASKET, reservoir
65-66	Corvette (exc. P.B.)	3888045	1	1.63	GASKET, cyl. diaphragm (Bendix 2225128)
67-75	Corvette	5455516	1	2.57	GASKET, reservoir

4.652 GASKET, Main Cylinder Head, Outlet

68-76	Corvette w/P.B.	730392	1	.21	main cyl. seal (rubber)
-------	-----------------	--------	---	-----	-------------------------

4.653 PISTON, Brake Main Cylinder

65-66	Corvette w/P.B.	3912105	1	5.50	secondary (Bendix 226723)
67	Corvette w/H.D. Brake,				
68-75	Corvette w/P.B.	5455829	1	7.70	secondary
67	Corvette (exc. H.D. Brake),				
68-75	Corvette (exc. P.B.)	5460413	1	3.21	PISTON ASSY., secondary

4.654 CUP— PROTECTOR, Main Cylinder Piston

53-62	Corvette	5460419	1	.77	primary
67	Corvette w/H.D. Brake,				
68-75	Corvette w/P.B.	5455858	2	.75	secondary
67	Corvette (exc. H.D. Brake),				
68-71	Corvette (exc. P.B.),				
75	Corvette (exc. P.B.)	5460195	2	.65	secondary
67	Corvette w/H.D. Brake,				
68-75	Corvette w/P.B.	5455859	2	.75	primary
67	Corvette (exc. H.D. Brake),				

BRAKES

4.654 CUP— PROTECTOR, Main Cylinder Piston (Con't)					
68-75	Corvette (exc. P.B.)	5453620	2	.94	primary
65-75	Corvette	5462635	2	.13	PROTECTOR , primary cup (Moraine)
4.655 SPRING— RETAINER, Main Cylinder Return					
67	Corvette w/H.D. Brake,				
68-75	Corvette w/P.B.	5455515	1	.85	secondary piston
67	Corvette (exc. H.D. Brake),				
68-75	Corvette (exc. P.B.)	5460806	1	.48	secondary piston
67	Corvette (exc. H.D. Brake),				
68-75	Corvette (exc. P.B.)	5451070	1	.37	RETAINER , piston spring
67	Corvette w/H.D. Brake,				
68-75	Corvette w/P.B.	5460627	1	.32	RETAINER , secondary piston spring
4.656 RING— SCREW, Main Cylinder Stop					
63-75	Corvette	5467356	1	.26	lock
65-75	Corvette	5464418	1	.64	SCREW , stop (Moraine)
4.657 VALVE, Main Cylinder					
53-62	Corvette	5453711	1	.57	check
63-65	Corvette (exc. Disc Brakes)	5454145	1	.65	check
67-75	Corvette	5469230 A.R.		.29	bleeder— (4.666)
65-66	Corvette w/H.D. Brakes	3878944	1	36.25	VALVE ASSY. , rear brake pressure regulator
4.658 ROD, Main Cylinder Push					
63-66	Corvette,				
67	Corvette w/P.B.	3819077	1	.98	
68-73	Corvette w/P.B.	3934256	1	4.17	valve operating
68-76	Corvette (exc. P.B.)	346340	1	.72	
4.659 BOOT— WASHER, Main Cylinder (Rubber)					
53-76	Corvette	5456779	1	.99	
64-67	Corvette w/P.B.	5452997	1	1.20	
68-74	Corvette w/P.B.	548179	1	.64	valve body (Bendix 2501643)
63-69	Corvette w/P.B., Air Cond.				WASHER , pedal and main cyl. push rod to actuating lever,
69-76	Corvette (exc. P.B.)	3953987	1	.11	main cyl. clevis
64-69	Corvette w/P.B.	5464812	1	.18	WASHER , push rod limiter
4.661 BOLT— GASKET— INSERT, Main Cylinder Outlet Fitting					
55-57	Corvette,				
60-61	Corvette	3727827	1	1.65	(1/2" — 20 x 17/32" thd.— 1 13/32" O.L.)
53-57	Corvette,				
60-61	Corvette	799303	1	.08	GASKET , outlet pipe, connector and connector bolt, pipe adapter (1/2" I.D. x 13/16" O.D. x 1/2" thk.) (copper)
53-61	Corvette	799390 A.R.		.08	GASKET , outlet pipe, connector and connector bolt (19/32" I.D. x 13/16" O.D. x 1/2" thk.) (copper)
65	Corvette w/P.B. (exc. H.D. Brakes)	5453786	2	.20	INSERT , brk. main cyl. pipe connector bolt— (4.671)
67-75	Corvette	5452322	2	.36	INSERT , brake main pipe conn. bolt (Moraine)
4.662 CLEVIS— PIN— RETAINER, Main Cylinder Adjusting					
62-67	Corvette	3812904	1	.84	brake pedal to brake main cyl. push rod
71-76	Corvette	3953288	1	.36	brake pedal to brake main cyl. clevis
63-69	Corvette	3817879 A.R.		.11	PIN , clevis, brake main cylinder, P.B. push rod to brake pedal end and actuator lever (use w/3817880 ret.)
68-76	Corvette	3909668	1	.11	PIN , clevis, brake pedal to brake main cyl. clevis (1 1/16" O.L.)
63-76	Corvette	3817880 A.R.		.11	RETAINER , clevis pin, brake main cylinder, P.B. push rod to brake pedal end and actuator lever
4.665 CYLINDER ASSY.— BOLT— REPAIR UNIT, Wheel Brake (Also see Group 4.667)					
53-59	Corvette,				
60-62	Corvette w/H.D. Brake/Susp.	5461126	1	10.85	front, right (1 1/8" dia., cast 5453822)
53-59	Corvette,				
60-62	Corvette w/H.D. Brake/Susp.	5461125	1	10.85	front, left (1 1/8" dia., cast 5453821)
56-62	Corvette (exc. H.D. Brake/Susp.),				
63-65	Corvette (exc. Disc Brake)	5465038	1	10.05	rear, right (Note 1)

BRAKES

4.665 CYLINDER ASSY.— BOLT— REPAIR UNIT, Wheel Brake (Also see Group 4.667) (Con't)

NOTE 1 When using 5465038 in place of 5459917, it will be necessary to use 5459470 bleeder screw.

56-62	Corvette (exc. H.D. Brake Susp.),					
63-65	Corvette (exc. Disc Brakes)					rear left,
60-62	Corvette (exc. H.D. Brake/Susp.)	5465039	1	10.05		front left (1½" dia.) (Note 2)
	<i>NOTE 2 When using 5465039 in place of 5459918, it will be necessary to use 5459470 bleeder screw.</i>					
60-62	Corvette (exc. H.D. Brake/Susp.)	5460330	R.H.	10.90		front (1¾" dia., cast 5459528), right
60-62	CORVETTE (exc. H.D. Brake/Susp.)	5460329	L.H.	10.90		front (1¾" dia.), left
63-64	Corvette,					
65	Corvette (exc. Disc Brake)	5465480	L.H.	10.90		front (1¾" dia., cast 5465480), left
63-64	Corvette,					
65	Corvette (exc. Disc Brake)	5465481	R.H.	10.90		front (1¾" dia., cast 5459466), right
65-67	Corvette	9422268	4	.48		BOLT , front caliper hsg.— (8.900)
53-59	Corvette,					
60-62	Corvette w/H.D. Brakes, Susp.	5467295	A.R.	3.57		REPAIR UNIT , rear (use w/1½" dia. cyl.) (Note 3)
53-64	Corvette (exc. H.D. Brake/Susp.)		A.R.			REPAIR UNIT , rear,
65-66	Corvette (exc. Disc Brake)	5467284	A.R.	3.57		rear (1" dia. cyl.) (Note 3)
60	Corvette w/H.D. Brake/Susp.					REPAIR UNIT , front,
57-62	Corvette w/H.D. Brake/Susp.	5463197	A.R.	3.52		REPAIR UNIT , rear (use w/7⁄8" dia. cylinder) (Note 3)
57-62	Corvette w/H.D. Brake/Susp.	3771783	2	4.52		REPAIR UNIT , rear (1¼" dia.) (Note 3)
60-64	Corvette (exc. H.D. Brake/Susp.),					
65	Corvette (exc. Disc Brake)	5467028	A.R.			REPAIR UNIT , front 1¾" dia.)

NOTE 3 Consists of 2 pistons, 2 cups, 1 spring and 2 boots.

4.665A HOUSING, Wheel Brake Front Caliper

65-75	Corvette (exc. H.D. Brakes)	2621206	2	47.55		outer
65-75	Corvette w/H.D. Brakes	2621211	1	59.15		HOUSING ASSY. , outer
65-75	Corvette w/H.D. Brakes	2621209	L.H.	61.70		HOUSING ASSY. , inner
65-75	Corvette w/H.D. Brakes	2621210	R.H.	61.70		HOUSING ASSY. , inner
65-75	Corvette (exc. H.D. Brakes)	2621202	L.H.	50.85		HOUSING ASSY. , inner
65-75	Corvette (exc. H.D. Brakes)	2621203	R.H.	50.85		HOUSING ASSY. , inner

4.665B HOUSING ASSY., Wheel Brake Rear Caliper

65-66	Corvette,					
67	Corvette w/H.D. Brakes (1st design),					
74	Corvette w/H.D. Brakes	2621212	L.H.	49.75		inner
65-66	Corvette,					
67	Corvette w/H.D. Brakes (1st design),					
74	Corvette w/H.D. Brakes	2621213	R.H.	49.75		inner
65-66	Corvette,					
67	Corvette w/H.D. Brakes (1st design),					
74	Corvette w/H.D. Brakes	2621214	L.H.	49.35		outboard
65-66	Corvette,					
67	Corvette w/H.D. Brakes (1st design),					
74	Corvette w/H.D. Brakes	2621215	R.H.	49.35		outboard
67-73	Corvette w/H.D. Brakes (2nd design),					
75	Corvette w/H.D. Brakes	5462016	L.H.	37.10		outer
67-73	Corvette w/H.D. Brakes (2nd design),					
75	Corvette w/H.D. Brakes	5462017	R.H.	37.10		outer
67-73	Corvette w/H.D. Brakes (2nd design),					
75	Corvette w/H.D. Brakes	5461991	L.H.	37.35		inner
67-73	Corvette w/H.D. Brakes (2nd design),					
75	Corvette w/H.D. Brakes	5461992	R.H.	37.35		inner
67-73	Corvette (exc. H.D. Brakes),					
75	Corvette (exc. H.D. Brakes)	2621204	L.H.	50.75		inner
67-73	Corvette (exc. H.D. Brakes),					
75	Corvette (exc. H.D. Brakes)	2621205	R.H.	50.75		inner
67-73	Corvette (exc. H.D. Brakes),					
75	Corvette (exc. H.D. Brakes)	2621207	L.H.	50.45		outer
67-73	Corvette (exc. H.D. Brakes),					
75	Corvette (exc. H.D. Brakes)	2621208	R.H.	50.45		outer

4.666 VALVE— PLUG— RING, Wheel Cylinder

53-60	Corvette					front and rear,
-------	--------------------	--	--	--	--	---------------------------

BRAKES

4.666 VALVE— PLUG— RING, Wheel Cylinder (Con't)

61-62	Corvette	5455122	4	.32	front
61-62	Corvette				bleeder, rear,
63	Corvette				bleeder, front,
64-66	Corvette	5459294	A.R.	.61	bleeder, front and rear
65-75	Corvette	5469230	A.R.	.29	bleeder, front and rear caliper
65-75	Corvette	5467211	2	.35	PLUG , rr. caliper piston outer hsg.
65-75	Corvette	5465969	2	.36	RING , frt. and rr., caliper bleeder valve

4.667 CUP— REPAIR UNIT— SEAL, Wheel Cylinder Piston (also see group 4.665)

53-59	Corvette,				
60-62	Corvette w/H.D. Brake/Susp.	5455298	A.R.	.81	front (1 ¹ / ₈ ")
53-66	Corvette	5455299	4	.81	front (1")
61	Corvette w/H.D. Brake/Susp.				front,
57-59	Corvette				rear,
60	Corvette w/H.D. Brake/Susp.	5465481	4	.84	front and rear (7 ⁷ / ₈ " dia.)
60-66	Corvette (exc. H.D. Brake/Susp.)	5465981	4		front (1 ³ / ₁₆ " dia.)
53-64	Corvette (exc. H.D. Brake/Susp.)				REPAIR UNIT , rear,
65-66	Corvette (exc. Disc Brake)	5455855	A.R.	2.69	rear (1" dia. cyl.)
65-75	Corvette w/Disc Brake	5467286	A.R.	3.39	REPAIR UNIT , front (1 ⁷ / ₈ " dia.) (Note 1, 2)
65-75	Corvette w/Disc Brake	5467288	A.R.	3.26	REPAIR UNIT , rear (1 ³ / ₈ " dia.) (Note 1, 2)

NOTE 1 Consists of 2 "O" rings, 1 piston seal and 1 boot.

NOTE 2 Unit does not include piston, screw or insulator. See group 4.668.

65-75	Corvette	5465914	8	.97	SEAL , rear brake caliper piston
65-75	Corvette	5465961	8	1.31	SEAL , front brake caliper piston

4.668 PISTON ASSY.— INSULATOR— SCREW, Brake Caliper

65-66	Corvette,				
67	Corvette w/H.D. Brakes (1st design)	5472039	4	12.70	rear (Note 1)
65-66	Corvette,				
67	Corvette w/H.D. Brakes (1st design)	5471861	4	12.70	front (Note 1)
<i>NOTE 1 Consists of piston, insulator and screw.</i>					
67	Corvette w/H.D. Brakes (2nd design),				
68-75	Corvette w/H.D. Brakes	5463823	8	16.70	front
67-75	Corvette (exc. H.D. Brakes)	5457272	8	4.16	front
67	Corvette w/H.D. Brakes (2nd design),				
68-75	Corvette w/H.D. Brakes	5469592	2	16.70	rear
67-75	Corvette (exc. H.D. Brakes)	5457264	4	4.16	rear
65-66	Corvette	5471818	4	8.65	INSULATOR , front
65-66	Corvette,				
67	Corvette w/H.D. Brakes (1st design)	5472040	4	8.60	INSULATOR , rear
67-75	Corvette w/H.D. Brakes	5463822	8	9.55	INSULATOR , front
67	Corvette w/H.D. Brakes (2nd design),				
68-75	Corvette w/H.D. Brakes	5469593	8	9.55	INSULATOR , rear
75	Corvette w/H.D. Brakes	5452367	8		SCREW , front brake caliper piston

4.669 SPRING, Wheel Cylinder Piston

56-59	Corvette,				
60-62	Corvette w/H.D. Brake/Susp.	5455487	2	.57	front
56-66	Corvette	5455489	2	.44	rear, w/expander
57-59	Corvette w/H.D. Brake/Susp.,				
61-62	Corvette w/H.D. Brake/Susp.				rear,
60	Corvette w/H.D. Brake/Susp.	5455421	2		front and rear (7 ⁷ / ₈ " dia.)
60-65	Corvette	5456982	2	.65	front
65-75	Corvette	5465915	8	.69	rear brake caliper piston return
65-66	Corvette	5465964	8	.51	front brake caliper piston return
67-75	Corvette	5466733	8	.45	front brake caliper piston return

4.670 BOOT, Wheel Cylinder

53-59	Corvette,				
60-62	Corvette w/H.D. Brake/Susp.	5455856	A.R.	2.73	front (9 ⁹ / ₁₆ " O.D.)
57-59	Corvette w/H.D. Brake/Susp.				
60-66	Corvette				rear,
60	Corvette	231335	4	.50	front (1 ¹ / ₂ " O.D.)
61-62	Corvette (exc. H.D. Brake/Susp.)				rear,
60	Corvette (exc. H.D. Brake/Susp.),				
64-65	Corvette				front,
63	Corvette	1074822	4	.57	front and rear (1 ³ / ₄ " O.D.)
65-75	Corvette	5465972	8	1.16	rear brake caliper piston
65-75	Corvette	5465979	8	1.20	front brake caliper piston

BRAKES

4.671 BOLT— INSERT— WASHER, Brake Connector

53-55	Corvette	476099 L.H.	.26	rear cyl. inlet conn. (7/16" — 20 x 11/16" O.L.)
65-75	Corvette	5453786 2	.20	INSERT, rear brk. caliper inlet hose connector hole
67-69	Corvette			INSERT, brakemain cyl. pipe connector bolt,
67-73	Corvette	5452322 2	.36	brake main pipe conn. bolt (Moraine)— (4.661)
53-75	Corvette	231343 A.R.	.80	WASHER (7/16" I.D. x 11/16" O.D.— .032) (copper)

4.675 LINK, Wheel Cyl. to Brake Shoe Thrust

53-66	Corvette	509233 8	.36	front and rear (21/16" O.L.)
-------	----------	----------	-----	------------------------------

4.680 HOSE ASSEMBLY, Hydraulic Brake

FRONT

57-62	Corvette	3696551 3	7.75	(7/16" — 20 ext. 3/8" — 24 int. 17" O.L.) (Note 1)
63-74	Corvette	3898231 2	13.20	(7/16" — 20 ext. 3/8" — 24 int. 13 1/4" O.L.)
75-76	Corvette	351549 2	8.35	

NOTE 1 Part also appears in REAR section of this group.

REAR

53-62	Corvette	3696551 3	7.75	(7/16" — 20 ext. 3/8" — 24 int. 17" O.L.) (Note 2)
63-74	Corvette	3878958 2	12.10	(7/16" — 20 ext. 3/8" — 24 int. 8 3/4" O.L.)
75-76	Corvette	351550 2	7.70	

NOTE 2 Part also appears in FRONT section of this group.

4.681 BRACKET— SPRING, Brake Hose or Pipe

63-75	Corvette	3770241 1	.59	front, left frame ("L" shape w/o side projection)
63-75	Corvette	3770242 1	.59	front, right frame ("L" shape w/o side projection)
63-67	Corvette (exc. H.D. Brake),			
68-74	Corvette (exc. Sp. H/Per.,			
75-76	Corvette	3828493		

SPRING, Hose and Tee Connector Yoke

53-76	Corvette	334961 A.R.	.18	front and rear brake hose yoke
-------	----------	-------------	-----	--------------------------------

4.683 FLUID— DECLENE, Hydraulic Brake

53-74	Corvette (Heavy Duty)	5464831 A.R.	PT/4.70	supreme No. 11 (1 pint)
53-74	Corvette (Heavy Duty)	5464832 A.R.	8.95	supreme No. 11 (1 quart)
53-74	Corvette (Heavy Duty)	5464833 A.R.	32.50	supreme No. 11 (1 gallon)
53-74	Corvette (Heavy Duty)	5464834 A.R.	154.90	supreme No. 11 (5 gallons)
53-74	Corvette (Heavy Duty)	5464835 A.R.	DR/305.00	supreme No. 11 (30 gallons)
53-74	Corvette	5450412 A.R.	1.64	DECLENE, fluid (1 quart)

4.685 PIPE ASSY.— TUBING, Hydraulic Brake

67-68	Corvette	3904970 1	1.10	to pressure switch rear
67-68	Corvette	3908105 1	1.10	to pressure switch front
67-68	Corvette w/H.D. Brake	3904972 1	2.10	switch to brake pressure regulator valve
53-57	Corvette	603827 A.R.	RL/.16	TUBING, steel, 5/16" O.D. x 25 ft. coil— (8.964)
53-57	Corvette	3696822 A.R.	RL/.15	TUBING, steel, 3/16" O.D. x 25 ft. coil— (8.964)

BRAKES

4.686 CONNECTOR— CLIP— SWITCH ASSY., Hydraulic Brake



B



D



K



R

53-62 Corvette	475885	1	1.09	main cylinder pipe (at cyl.) (Type "B")
53-58 Corvette,					
60-62 Corvette	3698552	1	.78	rear brake hose to axle (Type "D")
63-65 Corvette (exc. H.D. Brake)	3760082	L.H.	.77	(Type "K")
63-75 Corvette	3826355	R.H.	.83	rear hose (Type "K")
65-75 Corvette	3878796	L.H.	.75	rear brake hose (Type "K")
63-64 Corvette,					
65 Corvette w/P.B. (1st design)	3826348	1	.90	CONNECTOR ASSY., front pipe tee (Type "R")
65 Corvette (2nd design) (exc. P.B.),					
66 Corvette (exc. P.B.)	3878790	1	1.11	CONNECTOR ASSY., front pipe tee (Type "R")
65 Corvette w/P.B., H.D. Brake (2nd design) (exc. Disc Brake),					
66 Corvette (Disc Brakes w/P.B.),					
67-69 Corvette	3878804	1	2.02	CONNECTOR ASSY., front pipe (Type "R")
53-55 Corvette	3957100	A.R.	.11	CLIP, pipe "F" to hsg. cover (bolt on flat type— ¹³ / ₃₂ " bolt hole)
55-59 Corvette	1380949	A.R.	.11	CLIP, rear brake rear pipe (holds ³ / ₁₆ " and ⁵ / ₁₆ " dia. tube)
65-73 Corvette	3945439	1	.15	CLIP, rear brake crossover pipe
74-76 Corvette	340819	1	.15	CLIP, rear brake crossover pipe
70-76 Corvette	340814	2	.10	CLIP, rear brake crossover pipe
67-68 Corvette	3904303	1	12.60	SWITCH ASSY., w/dist. brk. pipe— (4.874)

4.690 VALVE ASSY.— BRACKET, Rear Brake Pressure Regulator

65-66 Corvette w/H.D. Brakes				rear brake pressure regulator,
67-68 Corvette w/H.D. Brakes	3878944	1	36.25	rear metering
65-66 Corvette w/H.D. Brakes	3878950	1	5.75	BRACKET, rr. brake pressure reg. valve
67-68 Corvette	3910796	1	4.75	BRACKET ASSY., brk. pipe distributor, and switch and metering valve, brk. pipe distributor and switch

4.760 SPRING, Brake Pull Back

53-62 Corvette	3698665	1	.31	service (30 coils— 5 free length)
63-64 Corvette (exc. Sp./Per., H.D. Brake),					
65-66 Corvette (exc. P.B.)	3854322	1	.22	pedal return
64-75 Corvette	3849615	1	.33	parking
67-76 Corvette (exc. P.B.)	3921686	1	.21	pedal return

4.765 BOLT— CLEVIS— CLIP— EQUALIZER— WASHER, Parking Brake

63 Corvette	3819100	1	.70	equalizer adjusting
64-67 Corvette	3842943	1	1.50	equalizer adjusting
53-62 Corvette	3843788	A.R.	.45	CLEVIS, hand brake (4 ³ / ₄ " O.L.)
63-66 Corvette	3819098	1	.35	CLEVIS, parking brake front cable
63-67 Corvette	3812904	1	.84	CLEVIS, brake pedal to cyl. push rod— (4.662)
55-67 Corvette	3749084	A.R.	.25	CLIP, idler lever rod & actuator lever rod— (4.037)
63-64 Corvette	3794010	1	.65	EQUALIZER, rear cable
64-76 Corvette	1497525	1	.61	EQUALIZER, front and rear cable
59-68 Corvette	382105	A.R.	.11	WASHER, park brake lever (2 ⁴ / ₆₄ " I.D. x 3/4" O.D.)— (4.037)

BRAKES

4.779 CABLE, Parking Brake

FRONT

53-62 Corvette	3706146	1	9.25	to lever (64 ³ / ₄ " O.L.)
63 Corvette	3819092	1	10.75	lever
64-66 Corvette	3842936	1	6.75	
67-75 Corvette	3897441	1	6.75	(29 ⁵ / ₁₆ " O.L.)

REAR

56-62 Corvette	3711840	2	7.25	(52 ¹³ / ₆₄ " O.L.) rear
63 Corvette	3819101	L.H.	7.25	
63 Corvette	3819102	R.H.	12.25	
64-66 Corvette	(exc. Disc Brakes)	3842941	1	5.50	left (39 ³ / ₈ " O.L.)
64-66 Corvette	(exc. Disc Brakes)	3842942	1	5.50	right (43 ⁹ / ₁₆ " O.L.)
65-75 Corvette	w/Disc Brakes	3866427	1	9.95	(87 ¹ / ₂ " O.L.)

4.784 SEAL, Brake Cable

53-55 Corvette	476136	2	.11	clamp (felt)
53-55 Corvette				
65-72 Corvette	3782536	A.R.	.45	rear

4.785 RETAINER— BRACKET— CONNECTOR— GUIDE, Parking Brake Cable

62-65 Corvette				to frame front anchor,
63-76 Corvette	516213	A.R.	.05	front and rear
63 Corvette	3819093	1	.11	front cable and lever assy.
64-75 Corvette	3960797	1	1.45	BRACKET , park brake rear
65-76 Corvette	3864275	L.H.	.16	BRACKET , cable guide
65-75 Corvette	3864276	R.H.	.16	BRACKET , cable guide
67 Corvette	3897442	1	1.01	BRACKET , park brake to crossmember
68-75 Corvette	3913861	1	1.88	BRACKET , park brk. to crossmember
63-64 Corvette	3770112	A.R.	.16	CONNECTOR
66 Corvette	(exc. Disc Brake)	537485	2	.10	CONNECTOR
65-75 Corvette	3864278	1	.11	GUIDE , cable

4.790 PULLEY— SPACER, Parking Brake Cable

65-66 Corvette	3780118	A.R.	.54	(⁹ / ₁₆ " I.D.)
67-75 Corvette	339727	1	.65	(³ / ₄ " I.D.)
65-66 Corvette	3785008	2	.16	SPACER , pulley
67-75 Corvette	3899215	1	.21	SPACER , pulley

4.792 LEVER— SPACER, Parking Brake Cross Shaft and Idler

63 Corvette	3819096	1	.75	idler
64-66 Corvette	3899399	1	.39	idler (Note 1)
<i>NOTE 1 When using 3899399 on models prior to serial number 6S118091 it may be necessary to rework the frame attaching bracket to provide rod clearance when brake is fully released.</i>					
64-66 Corvette	3842939	1	.29	SPACER

4.850 BEARING ASSY., Idler Pulley

68-75 Corvette	908076	1	5.02	w/idler pulley
-----------------------	-------	---------------	---	------	----------------

4.874 SWITCH ASSY.— BRACKET ASSY., Brake Press Ind.

67-68 Corvette	3904303	1	12.60	w/dist. brk. pipe
69 Corvette	3956727	1	12.45	w/dist. brk. pipe
70-73 Corvette	3980797	1	12.20	w/dist. brake pipe
74-75 Corvette	339780	1	19.25	w/dist. brake pipe
67-68 Corvette	3910796	1	4.75	BRACKET ASSY. , brk. pipe distrib. switch and metering valve— (4.690)

4.881 WASHER, Parking Brake Lever

74-76 Corvette	3834560	1	.15	
-----------------------	-------	----------------	---	-----	--

4.898 REPAIR UNIT, Vacuum Power

65-66 Corvette	5467248	1	15.60	cyl.
68-73 Corvette	3934253	1	15.40	cyl. (Bendix 2507101)
74 Corvette	6259189	1	15.40	cyl. (Bendix 2511303)

4.901 CYLINDER ASSY.— BOOSTER ASSY.— NUT, Vacuum Power Brake

65-67 Corvette	(exc. drum type brake)	5458832	1	65.40	(Moraine)
68-73 Corvette	3956739	1	85.95	(Bendix 2509092)
74-76 Corvette	338906	1	83.50	BOOSTER ASSY. (Bendix 2510842)
74-76 Corvette	w/P.B.	3960387	4	.15	NUT , ³ / ₈ "— 16 hex lock

4.906 SHELL ASSY., Vacuum Power Brake Cylinder

68-75 Corvette	3979589	1	7.70	rear (Bendix 2509091)
68-75 Corvette	3979590	1	8.65	front w/stud (Bendix 2509088)

BRAKES

4.910 SEAL, Vacuum Power Brake					
64-66	Corvette	5464287	1	1.14	front shell assy.
67	Corvette	5452549	1	3.25	front shell assy.
68-75	Corvette	3910048	1	1.30	w/plate (Bendix 2501325)
4.911 RETAINER, Vacuum Power Brake Cylinder					
68-76	Corvette	9787620	1	.29	main cyl. seal gasket
4.913 FILTER— RETAINER— ROD— SILENCER— SPRING, Vacuum Power Brake Cylinder Air					
63-67	Corvette,				
72-74	Corvette	5466534	1	.54	air cleaner
64-68	Corvette	5467788	A.R.	.63	air cleaner
68-74	Corvette	9776477	1	.48	RETAINER, cyl. silencer (Bendix 2501644)
73-74	Corvette	6259180	1	4.17	ROD, vacuum power brake cyl. valve operating
68-74	Corvette	1382320	1	.34	SILENCER, brake cyl. assy. vlv. (Bendix 2503550)
68-73	Corvette	1382321	1	.29	SILENCER, brake cyl. air cleaner (Bendix 2503551)
65	Corvette	455563	1	.18	SPRING, air filter retainer— (8.934)
4.918 SEAL— BUMPER— PLUNGER ASSY.— RING— RETAINER— SPRING, Vacuum Power Brake Cylinder Air Valve					
68-73	Corvette	1478290	1	2.02	body (Bendix 2500929)
74	Corvette	335077	1	3.17	body (Bendix 2510508)
64-67	Corvette	5464318	1	.30	BUMPER, cylinder reaction
68-74	Corvette	9785073	1	2.70	PLUNGER ASSY., cyl. vlv. (Bendix 2504233)
64-67	Corvette	5464319	1	.30	RING, cylinder air valve
65-68	Corvette	5464317	1	.43	RING, cylinder retaining
64-67	Corvette	5464316	1	.34	RETAINER, air valve spring
64-68	Corvette	5464853	1	.51	SPRING, air valve
4.922 PISTON— BODY— DIAPHRAGM— PLATE— RETAINER— SEAL— SUPPORT, Vacuum Power Brake Cylinder					
64-69	Corvette	5467849	1	7.65	
68-74	Corvette	9785077	1	6.00	BODY, brk. cyl. valve
64-67	Corvette	5464288	1	5.25	DIAPHRAGM, piston
68-74	Corvette	485056	1	4.22	DIAPHRAGM, frt. (Bendix 2503489)
68-74	Corvette	9785081	1	4.17	DIAPHRAGM, rear (Bendix 2503491)
68-74	Corvette	9785082	1	5.50	PLATE, diaphragm front (Bendix 2503524)
68-74	Corvette	9785104	1	4.17	PLATE ASSY., cyl. center (Bendix 2503488)
68-74	Corvette	3910042	1	2.87	RETAINER, diaphragm (Bendix 2503561)
68-74	Corvette	9785083	1	.27	SEAL, diaphragm plate (Bendix 2503493)
4.924 ROD ASSY.— BEARING— RING— SPRING, Vacuum Power Brake Cylinder Piston					
64-67	Corvette	5464521	1	2.65	main cyl. piston
68-74	Corvette	3957945	1	3.64	push (Bendix 250742)
64-67	Corvette	5465205	1	1.37	BEARING, piston (Moraine)
64-67	Corvette	5464332	1	.49	"O" RING, main cyl. piston
68-69	Corvette	1478285	1	.99	SPRING, diaphragm return (Bendix 2501092)
64-67	Corvette	5464312	1	1.56	SPRING, power piston
68-73	Corvette	9785080	1	.22	SPRING, cyl. vlv. rod (Bendix 2503486)
70-74	Corvette	1232889	1	1.35	SPRING, diaph. return
74	Corvette	335076	1	.22	SPRING, cyl. valve rod (Bendix 2510568)
4.928 POPPET ASSY.— RETAINER, Vacuum Power Brake Cylinder Poppet Valve					
68-74	Corvette	9785071	1	1.99	brk. cyl. (Bendix 2501062)
68-73	Corvette	3910036	1	.22	RETAINER, cyl. poppet
74	Corvette	1478268	1	12.05	RETAINER, cyl. poppet (Bendix 2501094)
4.930 SUPPORT ASSY.— CLAMP, Vacuum Power Brake Cylinder					
70	Corvette (exc. Sp. H/Per. 350, 454)	3973470	1	2.63	w/pipe
70-72	Corvette w/Sp. H/Per. (350, 454)	3981090	1	2.57	brake pipe
71-72	Corvette (exc. Sp. H/Per. 350, 454),				
73	Corvette	3989025	1	2.52	w/pipe, brake
74	Corvette	342411	1	2.52	w/pipe, brake
75-76	Corvette	354698	1	2.52	w/pipe brake
53-74	Corvette	1470029	A.R.	.67	CLAMP, hose— (1.166)

BRAKES

4.931 ELBOW— FITTING ASSY.— GASKET— TEE ASSY., Vacuum Power Brake Cylinder

NOTE. Also see group 8.963.

63-65	Corvette	2415944	A.R.	3.15	power brake pipe (3/8")— (4.638)
64-68	Corvette	3989020	1	.54	FITTING ASSY. , inlet manifold (3/8"— 18) (pipe thd.) (one 3/8" hose)
70	Corvette w/T.H. 400 (exc. 454)	3973473	1	1.25	FITTING ASSY. , inlet manifold
68-76	Corvette	3921676	1	.16	GASKET
64-67	Corvette	3891525	1		TEE ASSY. , inlet manifold, P.B. hose tee assy., P.B. to main cyl. to manifold hose tee assy. (3/8"— 18)— (7.447) (Note 1)

NOTE 1 Hose take off s 3/8" and 1/4".

4.934 LEVER— DISC— PLATE— RETAINER, Vacuum Power Brake Cylinder Reaction

64-67	Corvette	5464313	3	.24	piston reaction
68-74	Corvette	386134	1	.99	DISC , cyl. (Bendix 2503065) (3/8" thk.)
65-67	Corvette	5463451	1	.50	PLATE , piston reaction support
64-67	Corvette	5464282	1	1.84	RETAINER , reaction


4.935 VALVE UNIT— RETAINER— RING, Vacuum Power Brake Cylinder Relay Valve

64-67	Corvette	5464967	1	1.58	floating control (Note 1)
<i>NOTE 1 This unit consists of a spring seat, spring retainer, control valve spring, floating control valve assy., and floating valve retainer.</i>					
64-67	Corvette	5464369	1	.51	RETAINER , floating valve
64-67	Corvette	5464328	1	.54	RING , reaction retainer lock

4.955 VALVE ASSY.— GROMMET, Vacuum Power Brake Check

63	Corvette w/Sp. Per.	5464705	1	2.10	check (w/hose connection)
73-74	Corvette	3995836	1	1.82	check (Bendix 2509702)
64-74	Corvette	5472419	1	2.90	VALVE UNIT , w/grommet check
63-73	Corvette	5461808	1	.93	GROMMET , check valve

GROUP 5.000
REAR AXLE AND
PROP SHAFT



5.001 PLATE ASSY.—BRACKET—SUPPORT, Brake Flange Front

63-65	Corvette	3858826	R.H.	7.35	right
65-75	Corvette	3928649	L.H.	4.28	BRACKET , left, caliper adapter
65-75	Corvette	3928650	R.H.	4.28	BRACKET , right, caliper adapter
65-67	Corvette w/H.D. Brakes	3882783	L.H.	8.95	SUPPORT , left, brake caliper adapter bracket
65-67	Corvette w/H.D. Brakes	3882784	R.H.	9.95	SUPPORT , right, brake caliper adapter bracket
68-75	Corvette w/H.D. Brakes	3948880	R.H.	13.80	SUPPORT , R.H. brk. caliper adapter bracket
69-75	Corvette w/H.D. Brake	3948879	L.H.	14.45	SUPPORT , L.H. brake caliper adapter bracket

5.001A PLATE ASSY.— PLATE— BRACKET, Brake Flange Rear

65-76	Corvette	5465982	L.H.	6.10	PLATE , parking, left
65-76	Corvette	5465983	R.H.	6.40	PLATE , parking, right
65-76	Corvette	3864113	L.H.	15.35	BRACKET , left caliper adapter
65-76	Corvette	3864114	R.H.	15.35	BRACKET , right caliper adapter

5.002 BOLT— GASKET— SHIELD, Flange Plate

56-62	Corvette	3788231		8	.17	rear flange plate ($\frac{3}{8}$ "— 24 x $1\frac{3}{16}$ ")
63-64	Corvette,						
65	Corvette (exc. Disc Brakes)	3748370		2	.22	front flange, short ($\frac{7}{16}$ "— 20 x $1\frac{31}{32}$ ")
64	Corvette w/Sp. Per.	3770308		6	.17	plate to steering knuckle ($\frac{1}{4}$ "— 20 x $5\frac{5}{16}$ "— (0.206)
65-67	Corvette	3748401		2	.22	front flange, long ($\frac{7}{16}$ "— 20 x $2\frac{15}{16}$ ")
65-76	Corvette	3864037		8	.22	parking brake splash shield ($\frac{3}{8}$ "— 24 x $2\frac{7}{8}$ ") (shoulder dia. $\frac{7}{16}$ ")
65-75	Corvette	3864119		2	.31	front caliper adapter bracket ($\frac{1}{16}$ "— 16 x $\frac{7}{8}$ ")
70	Corvette	1385922	A.R.		.54	front brake flange plate short
63-65	Corvette (exc. Disc Brakes)					GASKET , frt. flange plate to steering knuckle,
65-68	Corvette w/Disc Brakes	3828581		2	.16	splash shield to steering knuckle
69-75	Corvette	3953431		1	.16	GASKET , front, brake disc splash shield
65-67	Corvette	3864117	L.H.		2.28	SHIELD , front left disc splash
68-69	Corvette	3898011	L.H.		3.28	SHIELD , front, left disc splash (4 Piston Design)
69-75	Corvette	3953423	L.H.		3.33	SHIELD , front left disc splash
69-75	Corvette	3953424	R.H.		3.33	SHIELD , front right disc splash

5.017 SHOE UNIT, Brake, with Facing, Non-Metallic

53-62	Corvette (exc. H.D. Brake/Susp.)					front,
63	Corvette (exc. Sp. H/Per., H.D.),						
64-65	Corvette (exc. Disc Brake)	3849026		1	21.50	rear (primary and secondary) (11 x 2" lining)
53-62	Corvette (exc. H.D. Brake/Susp.)	3752313		1	21.50	(primary and secondary)
53-60	Corvette (exc. H.D. Brake/Susp.)					front,
64	Corvette	3849062		1	21.50	rear (bonded type) (primary and secondary) (.030 O.S. facings-grooved)
63-65	Corvette (exc. Sp./H/Per.)	3849027		1	21.50	front (primary and secondary) (11 x $2\frac{3}{4}$ " lining)
64	Corvette	3849056		1	21.50	(.030 O.S.) (bonded type) (Note 1)
65-75	Corvette w/H.D. Brakes	5452515		1	44.75	rear (bonded)
65	Corvette w/Disc Brake (exc. H.D.),						
66-75	Corvette (exc. H.D.)	2621609		1	30.80	frt. and rear (riveted) (Note 2)
65-76	Corvette	5463579		1	43.40	parking brake
65-75	Corvette (H.D. Brakes w/Disc Brakes)	5468882		1	172.00	front (Note 3)

NOTE 1 In no case should a brake drum be turned down more than .030/.060 on dia.

NOTE 2: In order to service all four wheels, two units must be acquired.

5.017A SHOE UNIT, Brake, with Facing, Metallic

53-59	Corvette,						front (primary and secondary),
60-62	Corvette (exc. H.D. Brake/Susp.)					
63-64	Corvette	3794194		1	48.50	rear (primary and secondary) (11 x 2" (welded))
63-64	Corvette	3794191		1	48.50	(11 x $2\frac{3}{4}$ ")
63-64	Corvette w/Sp./Per.	3846286		1	70.75	front (primary and secondary) ($11\frac{13}{64}$ " x $2\frac{3}{4}$ ")
63-64	Corvette w/Sp./Per.	3846287		1	70.75	rear (primary and secondary) ($11\frac{13}{64}$ " x 2)

NOTE. Metallic linings are double sintered as compared to the single and much larger sintered cerametallic linings.

BRAKES—REAR AXLE AND DRIVE

5.026 SPRING— UNIT, Brake Shoe			
53-62	Corvette	3707417 A.R.	.55 adjusting screw, front and rear
56-62	Corvette (exc. Metallic Linings, H.D. Brake/Susp.)	3739278 2	.21 pull back front secondary
59-62	Corvette w/Metallic Linings (exc. H.D. Brake/Susp., P.G.)	5456715 A.R.	.53 rear brake, primary and secondary, front brake, primary (pink)
63-64	Corvette w/Sp./Per.	5462107 A.R.	.54 pull back, front and rear secondary
63-66	Corvette (exc. Disc Brake)	3887347 A.R.	.27 adjusting screw, front and rear (2 ³¹ / ₃₂ " O.L. green)
63-64	Corvette w/Sp./Per.	5462023 A.R.	.70 adjusting screw, front and rear
65-76	Corvette	5465943 4	.57 parking brake, pull back
65-76	Corvette	5465944 2	.37 parking brake adjusting screw
53-58	Corvette,		
59-62	Corvette (exc. H.D. Brk.)	3981995 1	1.28 SPRING UNIT (Note 1)
63-64	Corvette w/Metallic Linings,		
63-64	Corvette (exc. H.D. Brks.)	3981988 1	2.29 SPRING UNIT (Note 1)
<i>NOTE 1 Each unit contains material for one wheel.</i>			
<i>NOTE 3 Consists of 4 each. Pull Back Springs, Hold Down Springs, 8 Hold Down Springs Cups, 12 Hold Down Pins and 2 Shoe Guide Plates.</i>			
5.041 PIN, Brake Shoe			
65-75	Corvette (exc. H.D.)	5467815 A.R.	.91 front and rear retaining (5 ⁵ / ₁₆ " x 3 ²⁷ / ₃₂ ")
65-75	Corvette w/H.D.	187319 2	.26 front brake shoe retainer (5 ⁵ / ₃₂ " x 3 ³ / ₄ ")— (8.938)
5.043 PIN UNIT, Brake Shoe Hold Down			
53-74	Corvette	325075 1	1.27 park. brk. shoe
5.045 PLATE, Brake Shoe Guide			
59-62	Corvette w/Metallic Linings (exc. H.D. Brake/Susp.),		
63	Corvette	5472139 A.R.	.24 front and rear (2 ¹ / ₂ " O.L. x 9 ⁹ / ₆₄ " thick)
65-76	Corvette	5465949 2	.18 parking brake shoe guide (1 ¹ / ₂ " O.L. x 9 ⁹ / ₆₄ " thick)
5.055 PIN, Brake Shoe Anchor			
56-61	Corvette,		
62	Corvette (exc. H.D. Brake/Susp.)	3705732 A.R.	2.35 rear (2 ³ / ₈ " O.L.)
62-64	Corvette,		
65	Corvette (exc. Disc Brake)	3820272 2	2.10 front
63-69	Corvette (exc. Disc Brake)	3820146 2	2.10 rear
5.056 WASHER— BOLT— CLIP, Brake Shoe Anchor Pin			
64-65	Corvette (exc. Disc. Brake)	3846589 2	.15 front
65-76	Corvette	5467056 2	.72 BOLT , parking (1 ¹ / ₂ "— 20 x 2)
65-76	Corvette	5465995 2	.22 CLIP , parking lever pivot pin
5.103 LEVER— PIVOT, Brake Shoe Automatic Adjusting			
63-64	Corvette (exc. Sp./Per.),		
65	Corvette (exc. Disc Brake)	5462098 A.R.	.66 left, front and rear
63-64	Corvette (exc. Sp./Per.),		
65-66	Corvette (exc. Disc Brake)	5462099 A.R.	.66 right, front and rear
63-65	Corvette (exc. Sp./Per.),		
66	Corvette	3856855 L.H.	.19 PIVOT , left, front and rear
63-65	Corvette (exc. Sp./Per.),		
66	Corvette	3856856 R.H.	.19 PIVOT , right, front and rear
5.105 LINK, Brake Shoe Automatic Adjusting Lever			
63-64	Corvette (exc. Sp./Per.),		
65	Corvette (exc. Disc Brake)		left, front and rear,
63-64	Corvette w/Sp./Per.	5461156 1	1.09 right, front and rear (5 ⁵ / ₁₆ " O.L.)
63-64	Corvette (exc. Sp./Per.),		
65	Corvette (exc. Disc Brake)		right, front and rear,
63-64	Corvette w/Sp./Per.	5461157 1	.82 left, front and rear
5.107 SPRING, Brake Shoe Automatic Adjusting Lever			
63-65	Corvette (exc. Metallic Linings, Disc Brake)	5461984 A.R.	.20 front and rear
63-64	Corvette,		
65-66	Corvette (exc. Metallic Linings)	5464507 A.R.	.61 front and rear override (2 ¹ / ₃₂ " O.L.— green) (18 coils—2 ⁵ / ₈ " free length)
5.110 SCREW— UNIT— WASHER, Brake Shoe Adjusting			
53-62	Corvette	496351 A.R.	1.03 front and rear (Bendix 29491)

BRAKES—REAR AXLE AND DRIVE

5.110 SCREW— UNIT— WASHER, Brake Shoe Adjusting (Con't)

65-76 Corvette	5467297	2	1.56	SCREW ASSY. , w/nut, park brake adjusting pivot
53-62 Corvette	3981978	1	1.20	UNIT (Note 1)
63-64 Corvette (exc. H.D. brk.)	3997399	L.H.	1.20	UNIT , left (Note 1)
63-64 Corvette (exc. H.D. brk.)	3997400	R.H.	1.20	UNIT , right (Note 1)
63-64 Corvette (exc. Sp./Per.)	5462496	4	.61	WASHER , front and rear adj. screw (1/4" I.D. x 7/8" O.D.)

NOTE 1 Unit contains screw, nut socket for one wheel.

5.111 SOCKET— NUT, Brake Shoe Adjusting Screw

65-76 Corvette	5465948	2	.77	parking brake
53-62 Corvette	3694702	2	.59	NUT , pivot, front and rear,

5.117 COVER, Brake Adjusting Hole

53-76 Corvette	5464803	A.R.	.19	flange plate
-----------------------	-------	----------------	------	-----	--------------

5.149 LEVER, Parking Brake Shoe

53-59 Corvette	3693603	L.H.	.70	left (7 ¹⁵ / ₁₆ " O.L.)
58-65 Corvette	3886371	L.H.		left
58-65 Corvette	3886372	R.H.	1.21	right
65-76 Corvette	5468678	L.H.	2.35	LEVER ASSY. , left, parking brake
65-76 Corvette	5468679	R.H.	2.35	LEVER ASSY. , right, parking brake

5.150 STRUT, Parking Brake Shoe Lever

51-62 Corvette,					
65 Corvette (exc. Disc Brk.)	3825500	A.R.	.65	
65-76 Corvette	5463537	L.H.	.38	left
65-76 Corvette	5463538	R.H.	.38	right

5.151 SPRING, Parking Brake Shoe Lever

53-66 Corvette (exc. Disc Brakes)	1312281	2	.50	(²⁷ / ₃₂ " max. I.D. x 1 ¹ / ₄ " O.L.)
--	-------	----------------	---	-----	---

5.158 BOLT— RETAINER— RING— WASHER, Parking Brake Lever Anchor

53-60 Corvette	3693605	2	.17	(³ / ₈ "— 24 x ¹⁵ / ₁₆ ") (w/o eccentric)
67 Corvette	3897383	1	1.10	RETAINER , seal
68-76 Corvette	3998666	1	.61	RETAINER , underbody tunnel rear console park brk. lever seal
60-62 Corvette	274560	1	.10	RING , retainer (⁵ / ₁₆ " shaft dia.)— (8.934)
53-59 Corvette	1300540	2	.13	WASHER , spring steel (¹⁷ / ₃₂ " hole)
59-62 Corvette	5454797	2	.19	WASHER , spring
65-76 Corvette	5465996	2	.31	WASHER , pivot pin

5.380 BRACKET— CUSHION ASSY.— MEMBER ASSY.— SHIM— SUPPORT, Rear Axle Control Arm

65-75 Corvette	3866045	L.H.	1.10	left, rr. susp. control arm bumper
65-75 Corvette	3866046	R.H.	1.10	right, rr. susp. control arm bumper
65-76 Corvette	3864277	2	.54	rear suspension torque bumper
63-67 Corvette	3817827	1	5.12	BRACKET ASSY. , rear wheel spindle support strut
68-74 Corvette	3931805	1	7.75	BRACKET ASSY. , rear wheel spindle support strut
75 Corvette	356932	1	8.00	BRACKET ASSY. , rear wheel spindle support strut
63-75 Corvette	9750078	2	7.45	CUSHION ASSY. , rear suspension rear mounting cross member
63-76 Corvette	3949087	1	50.75	MEMBER ASSY. , rear susp. mtg. cross
63-74 Corvette	3983393	A.R.	.46	SHIM , rear susp. torq. control arm (4 ¹ / ₂ " x ¹ / ₈ " w/ ¹⁷ / ₃₂ " dia. oblong hole)
63-74 Corvette	3983394	A.R.	.46	SHIM , rear susp. torq. control arm (4 ¹ / ₂ " x ¹ / ₃₂ " w/ ¹⁷ / ₃₂ " dia. oblong hole)
63-74 Corvette	3983395	A.R.	.46	SHIM , rear susp. torq. control arm (4 ¹ / ₂ " x ¹ / ₆₄ " w/ ¹⁷ / ₃₂ " dia. oblong hole)
63-74 Corvette	3983392	A.R.	.60	SHIM , rear susp. torq. control arm (4 ¹ / ₂ " x ¹ / ₈ " w/ ¹⁷ / ₃₂ " dia. oblong hole)
63-74 Corvette	3820643	L.H.	25.50	SUPPORT , left, control arm to spindle
63-74 Corvette	3820644	R.H.	25.50	SUPPORT , right, control arm to spindle
75 Corvette	348103	L.H.	35.00	SUPPORT , left, control arm to spindle
75 Corvette	348104	R.H.	35.00	SUPPORT , right, control arm to spindle

5.381 SHAFT— BUSHING ASSY.— PLATE— RETAINER, Rear Axle Control Arm

63-76 Corvette (exc. Sp./Susp.)	3820929	L.H.	8.65	left, rear wheel spindle support strut
63-76 Corvette (exc. Sp./Susp.)	3820930	R.H.	9.20	right, rear wheel spindle support strut
63-74 Corvette w/Sp./Susp.	3829265	L.H.	10.80	left, rear wheel spindle support strut
63-74 Corvette w/Sp./Susp.	3829266	R.H.	10.80	right, rear wheel spindle support strut

BRAKES—REAR AXLE AND DRIVE

5.381 SHAFT— BUSHING ASSY.— PLATE— RETAINER, Rear Axle Control Arm (Con't)

63-76	Corvette	3743857	4	1.70	BUSHING ASSY., upper, rear, rear suspension torque control arm
63-76	Corvette	3820418	4	.25	PLATE, rr. susp. torque cont. arm bshg.
63-76	Corvette	3819806	2	.60	RETAINER, rr. susp. torque arm bshg.

5.382 ARM ASSY., Rear Axle Control

63-65	Corvette (exc. Disc Brake)	3881537	1	49.10	left, torque control (less bolts) (Note 1)
63-65	Corvette (exc. Disc Brake)	3881538	1	47.90	right, torque control (less bolts) (Note 1)

NOTE 1 See Bolt 3818741 in group 5.002.

65-74	Corvette w/Disc Brake	3874770	1	58.25	right, torque control (less bolts) (Note 2)
65-75	Corvette w/Disc Brake	3874769	1	58.25	left, torque control (less bolts) (Note 2)

NOTE 2 See Bolt 3864037 in group 5.002.

5.383 BOLT— NUT, Rear Axle Control Arm

63-76	Corvette	3846867	2	.31	rr. wheel spindle support arm and brake assy. (7/16" — 20 x 4 9/16")
68	Corvette w/T.H.,				
69-76	Corvette	3921658	2	2.35	diff. carrier mtg. brkt. (7/16" — 20 x 4 13/16")
63-76	Corvette	3866766	A.R.	.11	NUT (3/8" — 24) — (0.626)

5.387 BOLT— VENTILATOR— WASHER, Rear Axle

53-55	Corvette	1489303	A.R.	.31	hsg. to carrier (3/8" — 24 x 1 3/32")
63	Corvette	454948	2	.26	diff. carrier frt. mtg. (7/16" — 14 x 2 5/8" — (8.900))
63-65	Corvette (exc. Disc Brakes)	3875097	8	.30	rear flange plate (3/8" — 24 x 2 1/8")
53-62	Corvette,				
63	Corvette w/3-Spd.,				
64-75	Corvette	3820840	1	.35	VENTILATOR
56-57	Corvette	1456254	10	.15	WASHER, carrier bolt (1 3/32" I.D. x 1 1/16" O.D.) — (4.317)

5.390 STRAP— BRACKET— PLATE, Rear Axle Rebound

53-62	Corvette	3774449	2	2.51	(29 1/2" dev. length)
53-62	Corvette	3706077	4	.45	BRACKET, strap, (2 used on each side member)
53-62	Corvette	3706115	8	.17	PLATE, strap (3/4" x 1 1/2")

5.394 RETAINER, Rear Axle Bumper

67	Corvette	3820983	2	1.01	
----	----------	---------	---	------	--

5.395 BUMPER, Rear Axle

63-64	Corvette	3850161	2	1.85	rear suspension torque control arm
65-75	Corvette	3864280	2	1.20	rear suspension torque control arm

5.398 COVER, Axle Housing with Filler Plug

63-76	Corvette	3871374	1	31.25	diff. carrier
-------	----------	---------	---	-------	---------------

5.399 GASKET, Axle Housing Cover (Cork)

53-55	Corvette	593017	1	.56	(9 5/8" I.D. x 10 3/8" O.D.)
-------	----------	--------	---	-----	------------------------------

5.400 PLUG— GASKET— SCREW, Axle Filler and Drain

56-64	Corvette	344829	1	.26	(1-20 sq. hd.-1 3/8" dia. flange)
65-76	Corvette	3866433	1	.55	w/instr. tag (1 7/64" O.L.)
53-74	Corvette	3921989	A.R.	.18	GASKET, drain screw (1/2" I.D. x 1 5/16" O.D.) — (1.456)
57-67	Corvette	3923420	1	.33	SCREW, drain (1/2" — 20 x 1 3/16") — (1.453)

5.415 STRUT ASSY., Rear Axle

63-74	Corvette	3819205	2	13.20	rear wheel spindle support
75-76	Corvette	348391	2	14.95	rear wheel spindle support

5.417 BUSHING ASSY.— CAM— CAP, Rear Axle

60-62	Corvette	3764839	2	1.41	radius rod
63-74	Corvette	3775762	1	2.30	rr. wheel spindle supt. strut
63-74	Corvette	3790331	2	.20	CAM, rear wheel spindle supt. strut adj.— (6.172)
63-76	Corvette	3820253	2	1.45	CAM ASSY., rear wheel spindle supt. strut adj. (w/bolt)
63-74	Corvette	3791519	4		CAP, rear wheel spindle supt. strut bushing— (6.170)

5.418 BRACKET— STUD— SUPPORT ASSY., Rear Axle Tie Rod

59-62	Corvette	3760603	2	.28	radius rod to axle
59-62	Corvette	3758081	A.R.	.65	STUD, attaching (9/16" — 18 x 3 11/16")

BRAKES—REAR AXLE AND DRIVE

5.418 BRACKET—STUD—SUPPORT ASSY., Rear Axle Tie Rod (Con't)					
63-75	Corvette	3775513	2	6.40	SUPPORT ASSY., rear suspension outer mounting (5 1/8" O.D.)
5.420 SHAFT, Axle					
63-74	Corvette	3872908	2	40.50	
75	Corvette	360912	2	40.50	
5.425 YOKE ASSY.—DEFLECTOR—FLANGE, Rear Axle Universal Joint					
63-67	Corvette (327),				
65-67	Corvette (396, 427) (exc. P/Trac.),				
68-76	Corvette (exc. H.D.)	3832031	2	21.10	diff. carrier U-joint
65-67	Corvette w/P/Trac. (396, 427),				
68-76	Corvette w/H.D.	3872922	2	30.75	diff. carrier U-joint
63-76	Corvette	3819195	2	.18	DEFLECTOR, diff. carrier U-joint yoke
63-76	Corvette	3820241	2	.30	DEFLECTOR, rear wheel spindle flange dust
63-74	Corvette	3843018	2	19.00	FLANGE, rear wheel U-joint yoke
75	Corvette	360913	1	32.50	FLANGE, rear wheel U-joint yoke
5.428 RING—BEARING ASSY.—BOLT—CAP—LOCK—REPAIR KIT, Rear Axle "U" Joint					
63-76	Corvette	3819196	2	.10	diff. carrier U-joint yoke retaining
65-74	Corvette	3847933	16	1.32	BEARING ASSY., U-joint yoke trunnion
63-64	Corvette	9419293	A.R.	.17	BOLT, yoke flange (7/16"—20 x 1 1/8")—(8.900)
65	Corvette Sp./H/Per. (396),				
66-76	Corvette	3872909	4	4.37	CAP, rear drive shaft 7-joint bearing
63-76	Corvette	3860543	4	.10	LOCK, yoke flange bolt (round bridge), rr. whl. drive shaft "U" joint yoke flange bolt
63-74	Corvette	3889696	4	13.05	REPAIR KIT, rear wheel d/shaft U-joint
5.430 SEAL ASSY., Rear Axle "U" Joint					
63-76	Corvette	3820419	2	1.45	diff. carrier 7-joint yoke brg. oil
64-74	Corvette	3847932	16	.16	rr. wheel drive shaft U-joint yoke trunnion brg.
5.441 SHAFT, Rear Propeller (Shaft attaches to rear axle)					
<i>NOTE: All the parts formerly in this group have been relocated and regrouped into 5.544A. See Group 5.544A for all the above parts.</i>					
5.447 BEARING ASSY., Drive Pinion—Front					
63-55	Corvette	954780	1	29.86	(ND 5306W X1730A) (Note 1)
<i>NOTE 1 Must be assembled with loading slot toward pinion gear shoulder.</i>					
56-62	Corvette	457270	1	10.75	
63-75	Corvette	7450984	1	7.11	(HY A-200248-Z)
5.453 SPACER—WASHER, Pinion Shaft Bearing					
56-62	Corvette	3705722	1	.62	(tapered—2 1/2" O.L.)
63-66	Corvette	3817864	1	.47	(1 5/16" I.D.)
66-75	Corvette	3954483	1	.85	
66-76	Corvette w/12 bolt cover	3886318	A.R.	.22	WASHER, pinion brg. spacer
5.460 SHIM, Pinion Shaft Bearing					
53-55	Corvette	3657740	A.R.	.17	(.012)
53-55	Corvette	3657741	A.R.	.17	(.015)
53-55	Corvette	3657742	A.R.	.17	(.018)
57-62	Corvette	3893584	A.R.	1.02	SHIM UNIT (.021-.026) (2 5/64" O.D. x 1 29/64" I.D.)
57-62	Corvette	3893585	A.R.	1.55	SHIM UNIT (.027-.032) (2 5/64" O.D. x 1 29/64" I.D.)
57-62	Corvette	3893583	A.R.	1.25	SHIM UNIT (.033-.037) (2 5/64" O.D. x 1 29/64" I.D.)
63-76	Corvette	3893582	A.R.	1.55	SHIM UNIT (.021-.026) (2 29/64" O.D. x 1 41/64" I.D.)
63-76	Corvette	3893587	A.R.	1.55	SHIM UNIT (.027-.032) (2 29/64" O.D. x 1 41/64" I.D.)
65-76	Corvette	3893586	A.R.	1.25	SHIM UNIT (.033-.037) (2 29/64" O.D. x 1 41/64" I.D.)
5.469 SEAL, Drive Pinion					
56-62	Corvette	3865358	1	2.78	pinion flange oil (3 5/32" O.D.)
63-75	Corvette	3924031	1	2.26	pinion flange oil
5.484 BEARING ASSY, Drive Pinion Rear					
53-55	Corvette	125630	1	20.80	(Hyatt or 1506)

BRAKES—REAR AXLE AND DRIVE

5.484 BEARING ASSY, Drive Pinion Rear (Con't)

56-62	Corvette	7450371	1	10.41	(Hyatt HM89449-HM89410)
63-75	Corvette	7451155	1	10.36	

5.500 BRACKET— CUSHION— WASHER, Differential Carrier Mounting

63-68	Corvette (exc. T.H.)	3868799	1	4.95	
68	Corvette w/T.H.,				
69-76	Corvette	3921657	1	3.89	
63-74	Corvette	3795333	1	1.10	CUSHION, front lower— (9.023)
63-74	Corvette	3788637	1	.88	CUSHION, front upper— (9.023)
63-74	Corvette	3790768	1	.11	WASHER, front (1⁵/₃₂" I.D. x 1⁷/₆₄" O.D. x 1¹/₈" thk.)— (8.154)

5.505 CARRIER ASSY., Differential, with Cap

56-62	Corvette	3789870	1	49.00	
63-76	Corvette	3917861	1	73.50	

CARRIER ASSY., Differential (Positraction) (Complete with Ring Gear and Pinion)

57-62	Corvette	3743966	1	260.00	(3.70 ratio)
57-62	Corvette	3743970	1	254.00	(4.56 ratio)
58-62	Corvette	3748977	1	254.00	(4.11 ratio)
63-65	Corvette,				
65-66	Corvette (exc. 427),				
67-70	Corvette	3899139	1	330.00	(4.11 ratio)
63-66	Corvette (exc. Sp. H/Per. 396,				
	427),				
67-69	Corvette,				
70	Corvette (Close ratio 4-Spd.				
	w/350 H/Per.)	3899137	1	330.00	(3.70 ratio)
65	Corvette (exc. Sp. H/Per., 396)	3876473	1	302.00	(4.56 ratio)
65-69	Corvette,				
70	Corvette (exc. T.H. 400)	3899132	1	348.00	(3.08 ratio)
66-70	Corvette	3899141	1	296.00	(4.56 ratio)

CARRIER ASSY., Differential (exc. Positraction) (Complete with Ring and Piston)

62	Corvette	3758046	1	179.00	(3.08 ratio)
----	----------	---------	---	--------	--------------

5.506 BOLT, Differential Carrier Cap

63-75	Corvette	3818764	4	.25	
-------	----------	---------	---	-----	--

5.508 GASKET, Axle Housing to Differential Carrier (paper)

56-62	Corvette	3769870	1	.61	(9 ¹³ / ₁₆ " x 11 ³ / ₈ ")
63-76	Corvette	3818793	1	.36	(9 ⁵ / ₆₄ " x 10)

5.510 CASE— BOLT, Differential and Planet

NOTE Differential case halves are not sold separately.

Differential Assy. (Case with internal gears)

CORVETTE with Positraction

57-62	Corvette	3853552	1	143.00	w/4.11, 4.56 ratio
63-76	Corvette	3997925	1	146.00	w/2.73, 3.08, 3.36, 3.55, 3.70 ratio
63-75	Corvette	3997927	1	146.00	w/4.11, 4.56 ratio

DIFFERENTIAL CASE (Case less Internal Gears)

57-62	Corvette (exc. P/Trac.)	3867386	1	29.00	
57-62	Corvette w/P/Trac. (4.11, 4.56 ratio)	3777724	1	78.75	(Dana 22212X)
63-70	Corvette (exc. P/Trac.)	3878454	1	29.50	(3.36, 3.70 ratio)
63-74	Corvette w/P/Trac. (2.73, 3.08, 3.36, 3.55, 3.70)	3997926	1	65.00	(Eaton 32297)
63-74	Corvette w/P/Trac. (4.11, 4.56)	3997928	1	65.00	(Eaton 32298)
57-62	Corvette w/P/Trac.	454908	8	.26	BOLT, case assy. (3/8"— 16 x 2³/₄") (R.H. thread)— (8.900)
60-62	Corvette w/P/Trac.	3777003	8	.41	BOLT, case assy. (3/8"— 24 x 2³/₄") (L.H. thread)

5.511 PLATE— CAGE— GUIDE— RING— SHIM— SPRING, Differential Clutch (Positraction)

57-62	Corvette	3777268	2	2.46	(Belleville type) (ink stamped-.095)
57-62	Corvette	534935	A.R.	1.76	(.095 thick)
63-64	Corvette	3830747	2	2.46	(Dana 32328) (spring seat plate) (No tangs on plates)
64-73	Corvette	3869320	2	2.15	pressure (Eaton ED 94153) (spring seat plate)

BRAKES—REAR AXLE AND DRIVE

5.511 PLATE—CAGE—GUIDE—RING—SHIM—SPRING, Differential Clutch (Positraction) (Con't)

60-62	Corvette	3865208	1	21.60	PLATE UNIT, w/discs (Dana 22719X) (Note 2)
<i>NOTE 2 Consists of 6 plates and 4 discs.</i>					
63-64	Corvette	3830740	1	19.85	PLATE UNIT, w/discs (Dana 23230X) (Note 3)
<i>NOTE 3 Consists of 8 discs and 8 plates.</i>					
64-73	Corvette	483722	1	24.55	PLATE UNIT, w/discs (Note 4)
<i>NOTE 4: Consists of 10 eared discs, 8 splined discs, and 4 guides.</i>					
63-64	Corvette	3830746	2	2.64	CAGE
64-73	Corvette	9778355	4	.54	GUIDE, plate (Eaton ED 94228)
57-62	Corvette	3745318	2	18.55	RING, side gear (3 ³ / ₄ " O.D.)
64-73	Corvette	9778347 A.R.		.95	SHIM (.005) (Eaton 94128-5)
64-73	Corvette	9778348 A.R.		.95	SHIM (.007) (Eaton 94128-7)
64-73	Corvette	9778349 A.R.		.95	SHIM (.010) (Eaton ED 94128-10)
63-64	Corvette	3854101	4	3.45	SPRING, clutch (Dana 32823)
64-73	Corvette	3890899	2	.54	SPRING, pressure plate (Eaton ED-7976) (50 lb.)

5.517 SHAFT, Differential Pinion

53-70	Corvette (exc. P/Trac.)	3935181	1	2.90	
60-62	Corvette w/P/Trac.	531312	2	9.85	front axle (3/4" dia. x 4 ²⁵ / ₃₂ " O.L.—"V" cut) (Dana 30931)
63-64	Corvette w/P/Trac.	3830742	1	2.21	(Dana 32266)
64-74	Corvette w/P/Trac.	9776894	1	3.82	(3/4" O.D. x 4 ⁶¹ / ₆₄ " O.L.) (Eaton ED 6960)

5.518 SCREW, Pinion Shaft Lock

53-70	Corvette	472546	1	.29	(5/16" — 18)
63-64	Corvette w/P/Trac.	3830743	1	1.35	(Dana 32267)
64-74	Corvette w/P/Trac.	3869319	1	.35	(Eaton 93465)

5.526 GEAR, Differential Pinion

53-70	Corvette (w/10 bolt cover) (exc. P/Trac.)	3958108	2	6.95	(10 teeth) (3.36, 3.70 ratio)
57-62	Corvette w/P/Trac.	2370715	4	3.95	front (10 teeth) (dab of orange paint) (Note 1)

NOTE 1 When using 2370715 in place of 3745313, 3744618 side gear must also be used.

64	Corvette w/P/Trac.	3854260	2	5.05	(Dana 32808)
65-73	Corvette w/P/Trac.	9778343	2	9.15	(Eaton ED-40335)
74	Corvette w/P/Trac.	6260528	1	41.65	(Eaton ED-24304)

5.527 GEAR UNIT, Differential Side with Pinion

63-64	Corvette w/P/Trac.	3867746	1	35.60	(Dana 2375X)
-------	--------------------	---------	---	-------	--------------

5.528 GEAR, Differential Side

56-70	Corvette (exc. P/Trac.)	3820638	2	12.25	(16 teeth)
57-62	Corvette w/P/Trac.	3744618	2	8.85	daub of orange paint (Note 1)
<i>NOTE 1 When using 3744618 in place of 3745317 it may be necessary to use 2370715 pinion gear.</i>					
64	Corvette w/P/Trac.	3867897	2	15.25	(Dana 33205)
64-73	Corvette w/P/Trac.	3869317	2	18.25	(Eaton ED 40334-6)

5.529 GEAR ASSY., Ring and Pinion (not sold separately)

NOTE. Part numbers in parentheses are stamped on ring gear and pinion respectively.

CORVETTE

56	w/3-spd.	3748433	1	87.25	(37-10T) (3735864-3733910)
57-62	4.11 ratio	3748434	1	87.25	(37-9T) (3733908-3733912) (Note 1)
57-62	3.70 ratio	3748438	1	87.25	(37-10T) (3737957-3733910) (Note 2)
<i>(Note 3)</i>					
57-62	4.56 ratio	3748447	1	87.25	(41-9T) (3720089-90) (Note 1)
57-61	w/P.G.,				
62	3.55 ratio	3795479	1	87.25	(32-9T) (3783188-3783189)
62	3.36 ratio	3748437	1	87.25	(37-11T) (3736508-3735390)
62	3.08 ratio	3758549	1	87.25	(37-12T) (3756448-3756446)
63-64	4.11 ratio	3822988	1	94.75	(37-9T) (3733908-3820896)
63-64	3.36 ratio	3822989	1	87.25	(37-11T) (3735390-3819186)
63-64	3.55 ratio	3822990	1	87.25	(32-9T) (3783188-3820899)
63-64	3.08 ratio	3822991	1	87.25	(37-12T) (3756448-3819184)
63-64	4.55 ratio	3822992	1	87.25	(41-9T) (3720089-3820897)
63-64	3.70 ratio	3822993	1	87.25	(37-10T) (3737957-3819081)
65-72	4.56 ratio	3961424	1	93.75	(41-9T) (3894568-3894566)
65-75	4.11 ratio	3961421	1	93.75	(37-9T) (3733908-3885945)
65-74	3.08 ratio	3961418	1	93.75	(37-12T) (3772134-3885941)
65-76	3.70 ratio	3961419	1	93.75	(37-10T) (3737957-3885944)
65-76	3.55 ratio	3961420	1	102.00	(32-9T) (3783188-3885943)

BRAKES—REAR AXLE AND DRIVE

5.529 GEAR ASSY., Ring and Pinion (not sold separately) (Con't)

65-76	3.36 ratio	3961423	1	93.75	(37.11T) (3735390-3885942)
68-71	2.73 ratio (P/Trac.),				
75-76	2.73 ratio	3961431	1	93.75	(41-15T) (3924344-3924343)

NOTE 1 Axle ratio is equal to Ring gear divided by Pinion, 37 divided by 10 is equal to 3.70 to 1.
NOTE 1 When used w/P/Trac. requires P/Trac. differential unit 3853552 (Group 5.510).
NOTE 2 When used w/P/Trac. requires P/Trac. differential unit 3853550 (Group 5.510).

5.531 SCREW, Ring Gear

56-75	Corvette	3884942	A.R.	.17	($\frac{3}{8}$ "— 24 x $\frac{25}{32}$ ") (used with lockwasher)
--------------	----------	----------------	------	-----	---

5.535 LUBRICANT, Hypoid Gear

53-75	Corvette w/P/Trac.	1051022	1		special hypoid (1 quart container)— (8.800)
53-75	Corvette w/P/Trac.	1051023	1		special hypoid (15 gal.)— (8.800)

5.536 BEARING, Differential Side

56	Corvette	7450385	2	16.20	(Hyatt CK 11445 X)
57-62	Corvette	7450745	2	9.52	(Hyatt A 159286 Z)
63-75	Corvette	7451140	2	8.47	
63-76	Corvette	455724	2	1.98	"U" joint yoke

5.537 NUT— SHIM— SPACER, Differential Bearing Adjusting

56-62	Corvette	3707303	2	1.35	($\frac{31}{16}$ " O.D. x $\frac{25}{32}$ " thick— 12 slots)
63-76	Corvette	3851480	A.R.	1.55	SHIM UNIT (.064, .066, .068)
63-76	Corvette	3851481	A.R.	1.40	SHIM UNIT (.070, .072, .074)
63-76	Corvette	3851482	A.R.	1.70	SHIM UNIT (.076, .078, .080)
63-76	Corvette	3851483	A.R.	1.55	SHIM UNIT (.082, .084, .086)
63-76	Corvette	3851484	A.R.	1.70	SHIM UNIT (.088, .090, .092, .094)
65-72	Corvette w/12 bolt cover	3876174	A.R.	1.55	SHIM UNIT (.096, .098, .100)
72-76	Corvette	3996611	A.R.	2.00	SHIM UNIT (.048-.054)
72-76	Corvette	3996612	A.R.	2.00	SHIM UNIT (.056-.062)
67-76	Corvette	9780883	A.R.	1.15	SPACER , diff. bearing (.170 thk.) (Note 1)

NOTE 1: Used with matching shim units to replace prod. cast iron type adjustment.

5.542 WASHER, Differential Pinion Thrust

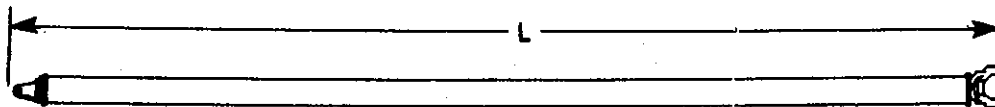
63-64	Corvette w/P/Trac.	2346848	2	.50	($\frac{49}{64}$ " I.D. x $\frac{121}{32}$ " O.D.) (Dana 13338-3)
64-65	Corvette (exc. P/Trac.)	3843266	2	.57	($\frac{145}{64}$ " O.D. x $\frac{3}{4}$ " I.D.)
64-74	Corvette w/P/Trac.	1385734	2	.95	(Eaton ED 93690)
66-69	Corvette (exc. P/Trac.)	3880143	2	.37	

5.543 WASHER, Differential Side Gear Thrust

57-70	Corvette (exc. P/Trac.)	9789002	2	.31	
--------------	-------------------------	----------------	---	-----	--

5.544A SHAFT, Rear Propeller (Shaft attaches to rear axle)

NOTE: See Dealer Price Schedule (P&A 26) for applicable prices.



TYPE F

	TYPE	O.L.		PART NO.	QTY.
56-62	Corvette (8 cyl.)	F	$34\frac{35}{64}$	—	3712381 1
63-70	Corvette (exc. T.H.)	F	$31\frac{25}{32}$	—	3963852 1
68-70	Corvette w/T.H. 400,				
71-75	Corvette	F	$26\frac{1}{16}(1)$	—	3924148 1

BRAKES—REAR AXLE AND DRIVE

5.544A SHAFT, Rear Propeller (Shaft attaches to rear axle) (Con't)

(¹) tube length.

5.545 FLANGE— DEFLECTOR, Propeller Shaft Pinion

57-64	Corvette	3741822	1	10.00	w/deflector (Note 1)
<i>NOTE 1. On all models from 1954 thru 1964 it is necessary to replace 3714788 Deflector with 3819415 Deflector.</i>					
65-70	Corvette w/12 bolt cover	3878972	1	9.50	w/deflector (3 ²⁷ / ₃₂ " dia.) (1280 UJT)
68-76	Corvette w/P/Trac.	3879208	1	9.90	w/deflector (4 ⁵ / ₁₆ " dia.)
63-76	Corvette	3819415	1	.40	DEFLECTOR , pinion flange

5.548 REPAIR KIT, Universal

NOTE. Nos. following model usages are forged on the frt. and rear yokes respectively. Also see groups 4.404 and 4.405 for Universal Joint attaching parts.

55-67	Corvette,				
68-70	Corvette (exc. T.H. 400)	386451 A.R.		15.35	all locations w/grease fitting (finger dia. 615) (Note 1)
<i>NOTE 1 Consists of 1 trunnion assy., 4 bearings, 4 nuts, 4 snap rings, 2 "U" bolts, 4 washers and 4 seals.</i>					
68-70	Corvette w/T.H.,				
71-74	Corvette	390133	1	13.25	U-joint

5.555 YOKE, Universal Joint and Transfer Case

55-62	Corvette (8 cyl.)	3712379	1	19.00	front
63	Corvette w/Muncie 4-Spd.,				
64	Corvette (exc. P.G.),				
65-70	Corvette (exc. T.H. 400)	3868728	1	14.50	YOKE ASSY. , front U-joint
68-70	Corvette w/T.H. 400,				
71-74	Corvette	3930827	1	38.75	YOKE ASSY. , U-joint sleeve front

5.560 SEAL, Propeller Shaft Universal Joint Trunnion

63-64	Corvette	3708038 A.R.		.21	yoke brg.
64-74	Corvette	3841923 A.R.		.18	yoke brg. (1 ¹ / ₃₂ " O.D. x 2 ¹ / ₃₂ " I.D.)
65-66	Corvette	3821777 A.R.		.50	yoke brg. (3 ³ / ₃₂ " O.D. x 1 ¹ / ₄ " thk.) (w/oblong identification mark)

5.566 BEARING— ROLLER— SPACER, Universal Joint Yoke Trunnion

63	Corvette w/4-Spd., P/Trac.	9418456 A.R.		.11	ROLLER , frt. prop. shaft and bearing support (1 ³ / ₃₂ " O.L. x 3 ³ / ₃₂ " dia.) (black oxide coated)
64-70	Corvette (exc. T.H.)	9419578 A.R.		.11	ROLLER , U-joint yoke trunnion brg.
68-70	Corvette w/T.H.,				
71-72	Corvette	3924169 A.R.		.09	ROLLER , bearing
68-70	Corvette w/T.H.,				
71-74	Corvette	3856809 A.R.		.11	SPACER , trunnion brg. (Dana 230727-1)

5.586 LOCK RING— BOLT— STRAP, "U" Joint Trunnion and Yoke

53-62	Corvette				front
65-74	Corvette	3721887 A.R.		.19	all locations (finger dia. .596)
63-74	Corvette	3721973 A.R.		.15	frt. inter., rear (use w/finger diameters .773 and .775)
63	Corvette	3723367 A.R.		.17	all locations (finger dia. .894)
66-70	Corvette w/T.H.,				
71-76	Corvette	3887348	4	.15	BOLT , shaft and U-joint assy. strap (5 ¹ / ₁₆ "— 24 x 1 ⁷ / ₁₆ ")
53-72	Corvette	1358938 A.R.		.50	U-BOLT , U-joint trunnion brg. (5 ¹ / ₁₆ "— 18) (w/finger dia. .596)
65-67	Corvette,				
71-76	Corvette	2066840 A.R.		.36	U-BOLT , shaft and U-joint assy. (trunnion finger dia. of 2 ⁵ / ₃₂ ")
68-76	Corvette	3882979	2	.11	STRAP , prop. shaft

5.595 NUT— WASHER, Propeller Shaft Pinion Flange

55-76	Corvette	3736464 A.R.		.75	(7 ¹ / ₈ "— 16)
58-75	Corvette	3714792	1	.82	WASHER , flange (5 ⁷ / ₆₄ " I.D. x 1 ⁷ / ₁₆ " x 1 ¹ / ₄ " thk.)

5.803 WHEEL— PIN, Front or Rear

This section contains Model Usage and Prices for Corvette wheels. For Wheel size, Tire size and other added description, see the following charts.

These two sections should be used in conjunction with one another to determine the correct wheel.

CORVETTE

54-62	Corvette	3834956 A.R.	19.65	(15 x 5K)
57-64	Corvette (exc. knock off whls.)	3838080 A.R.	23.20	(15 x 5.5K)
65-66	Corvette (exc. knock off wheels)	3869156 A.R.	30.50	(15 x 5.50K)

BRAKES—REAR AXLE AND DRIVE

5.803 WHEEL— PIN, Front or Rear (Con't)

67	Corvette w/Disc Brakes (exc. Alum. wheel)	3968773 A.R.	33.50	(15 x 6JK) (5 oval hand holes)
68	Corvette	3910799 A.R.	24.55	(15 x 7JK) (stamped AG)
69-75	Corvette	327708 5	32.75	(15 x 8.00JJ) (stamped AZ)
76	Corvette w/Alum. Wheels (YJ8)	363768 4		(15 x 8.00) (alumm.)
63-66	Corvette w/knock off wheels	3847767 10	.45	PIN , wheel adapter wheel pilot

WHEEL RIMS

Following illustrations are examples of types of rims which are part of assemblies. The rims are not serviced separately and are either welded or riveted to the wheel disc.



ONE PIECE

One-piece rims: 5.25" or larger rims have a 15" taper bead seat, and are used for tubeless tires. Smaller rims have a 5° taper bead seat, and are used for both tubeless and tube tires.

NOTE: Offset is determined by measuring the distance from the centerline of the rim to the inner side of the wheel disc.

CORVETTE

Construction	Wheel Size	Offset	Tire Size	No. Hub Cap Attach. Clips or Proj.	Tire Type	No. Lug Holes	Wheel	No. Spoke or Hand Holes
1 Piece (Riveted)	15 x 5K	9/16	6.70 x 15, 7.10 x 15	0	Both	5	3834956	4
1 Piece (Welded)	15 x 5K	7/16	7.75 x 15	0	Both	5	3869156	
1 Piece (Riveted)	15 x 5,5K	7/16	6.70 x 15, 7.10 x 15	0	Tube	5	3838080	4
1 Piece (Welded)	15 x 6JK	1/8	7.75 x 15, 8.15 x 15 (INT.)	3	Both	5	3968773	5
1 Piece (Welded)	15 x 7JK	9/32	F70 x 15	5	Tubeless	5	3910799	4
1 Piece (Welded)	15 x 8.00JJ	1/2	F70 x 15	0	Tubeless	5	327708	5

5.805 WEIGHT, Wheel Balance

58-76	Corvette	9421502 A.R.	.22	(1/2 oz.) (size cast on weight)
58-76	Corvette	9421504 A.R.	.22	(1 oz.) (size cast on weight)

BRAKES—REAR AXLE AND DRIVE

5.805 WEIGHT, Wheel Balance (Con't)

58-76	Corvette	9421506 A.R.	.22	(1½ oz.) (size cast on weight)
58-76	Corvette	9421508 A.R.	.28	(2 oz.) (size cast on weight)
58-76	Corvette	9421510 A.R.	.28	(2½ oz.) (size cast on weight)
58-76	Corvette	9421512 A.R.	.39	(3 oz.)
58-64	Corvette	345972 A.R.	.26	(1 oz.)
63-67	Corvette	3830799 A.R.	.22	quick take-off (1 oz.)
72-76	Corvette	9772182 A.R.	.17	(¼ oz.) (size cast on weight)
73-76	Corvette w/Cast Alum.	331451 A.R.	.22	(5 oz.)
73-76	Corvette w/Cast Alum.	331452 A.R.	.22	(1 oz.)
73-76	Corvette w/Cast Alum.	331453 A.R.	.22	(1½ oz.)
73-76	Corvette w/Cast Alum.	331454 A.R.	.28	(2 oz.)
73-74	Corvette w/Cast Alum.	331455 A.R.	.28	(2½ oz.)
73-74	Corvette w/Cast Alum.	331456 A.R.	.38	(3 oz.)

5.806 FLANGE ASSY.— SPINDLE, Rear Wheel

63-76	Corvette	3839830	2	24.30	rear wheel spindle
63-64	Corvette,				
65	Corvette (exc. Disc Brakes)	3820239	2	41.25	SPINDLE , w/bolts
65	Corvette w/Disc Brakes,				
66-76	Corvette	3872476	2	40.00	SPINDLE , w/bolts

5.809 DRUM ASSY.— DISC, Front and Rear Wheel Brake

53-62	Corvette (exc. Metallic Linings, H.D. Brake)				front,
53-65	Corvette (exc. Metallic Linings, H.D. Brakes, Sp./Per.)	3985944	2	31.70	rear
53-62	Corvette w/metallic linings (exc. H.D. Brake/Susp., P.G.)				front and rear,
63-66	Corvette w/metallic linings (exc. Sp./H/Per.)	3869537 A.R.		30.00	rear
	<i>NOTE 1 3776926 Brake Drum Fan must be used.</i>				
63-65	Corvette (exc. metallic linings)	3872326	2	37.00	front
63-64	Corvette w/metallic linings (exc. Sp. H/Per.)	3872384	2	31.70	front
63-64	Corvette w/Sp. H/Per., Metallic Brakes, Fan Cooled	3843900	2	29.95	front
65-68	Corvette	3998278	2	90.50	DISC , front w/hub
65-76	Corvette	3996663	2	71.75	DISC , rear
69-75	Corvette	3991024	2	63.50	DISC , front w/hub

5.810 SPRING, Brake Drum

53-62	Corvette (exc. H.D. Brake/Susp.),				
63-67	Corvette (exc. Sp. H/Per.)	3694290 A.R.		1.38	(32¾" free length)

5.812 BOLT, Hub or Drum (Front and Rear Wheel)

BOLT, Front Hub

53-60	Corvette (1st design)	3829376	12	.54	(7/16"— 20 x 1³/8") (Note 1)
60-65	Corvette (2nd design)	3980406 A.R.		.67	(7/16"— 20 x 1³/8") (Note 1)
65-66	Corvette w/Disc Brakes,				
67-75	Corvette	3910340 A.R.		.22	(7/16"— 20 x 1³/4") (Note 1)

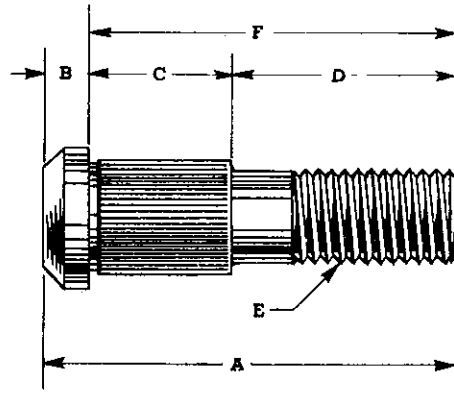
NOTE 1 Also listed in rear hub section of this group.

BOLT, Rear Hub

NOTE (front) shown in description column indicates part is also used as Front Hub Bolt.

53-59	Corvette	3829376 A.R.		.54	(7/16"— 20 x 1³/8")
60-65	Corvette	3980406 A.R.		.67	(7/16"— 20 x 1³/8") (front)
65-76	Corvette	3910340 A.R.		.22	(7/16"— 20 x 1³/4") (front)

HUB BOLT CHART



Part No.	A	B	C	E	E	F
3829376	1 ⁵ / ₈	1/4	2 ¹ / ₆₄	1 ³ / ₆₄	7/16— 20	1 ³ / ₈
3980406	1 ⁵ / ₈	1/4	5/16	1 ⁵ / ₆₄	7/16— 20	1 ³ / ₈
3910340	2	1/4	1/8	15/32	7/16— 20	1 ³ / ₄

5.813 NUT, Hub Front and Rear

53-75 Corvette	358501 A.R.	.25	wheel hub bolt (7/16" — 20)
63-66 Corvette w/knock off wheels	3852554 A.R.	.81	(7/16" — 20)
73-76 Corvette w/Cast Alum.	329383 20	2.18	NUT ASSY.

5.816 RETAINER— BOLT— RING— SPACER, Rear Axle Shaft Bearing

56 Corvette	3708829 2	.94	wheel bearing (hub dia. 2 ¹ / ₁₆ ")
57-61 Corvette,			
62 Corvette (exc. Metallic Linings, 3.55 axle)	3739104 2	.90	axle shaft and bearing
62 Corvette w/Metallic Linings, 3.55 axle	3755959 2	.94	axle shaft and bearing (Note 1)
<i>NOTE 1 Held in place by rear flange plate and brake assy. attaching parts.</i>			
56-59 Corvette	3788231 8	.17	BOLT , shaft and wheel brg. retainer (3/8" — 24 x 1 ³ / ₁₆ ")— (5.002)
56-62 Corvette (exc. P/Trac.)	3851557 2	.94	RING , retainer (1 ³ / ₈ " I.D. x 1 ¹ / ₃₂ " O.D.)
63-76 Corvette	3820224 1	2.30	SPACER , rear wheel bearing

5.819 GASKET, Wheel Hub and Drum Oil Deflector, Front and Rear

53-62 Corvette	3779684 2	.21	front (3 ⁷ / ₈ " I.D. x 5 ¹³ / ₁₆ " O.D.) (five 9/16" holes)
56-62 Corvette	3772374 2	.27	wheel bearing retainer, rear (4 holes— 3/8" I.D.) (4 ¹ / ₈ " x 4 ¹¹ / ₃₂ ")

5.822 SEAL— "O" RING, — SHIELD, Rear Axle Shaft Bearing or Hub

53-55 Corvette	3705796 2	2.47	axle shaft oil
56-57 Corvette w/H.D.,			
58-62 Corvette w/P/Trac.	3750294 2	1.45	(stamped 3750294) (roller bearing)
63-76 Corvette	3794006 2	1.06	rear wheel outer bearing
63-76 Corvette	3794002 2	1.14	rear wheel inner bearing
58-59 Corvette (exc. P/Trac.)	3749981 2	2.35	SEAL UNIT , rear wheel ball bearing (Note 1)
60-62 Corvette (exc. P/Trac.)	3772999 2	2.59	SEAL UNIT , rear wheel ball bearing (Note 1)
<i>NOTE 1 Consists of "O" ring and seal assy., w/retainer.</i>			
56 Corvette	3707389 2	.50	"O" RING, rear wheel brg. (2 ⁵ / ₈ " I.D. x .103)
57-59 Corvette,			
60-62 Corvette w/P/Trac.,			
61-62 Corvette w/Metallic Linings	3739112 2	.48	"O" RING, rear wheel brg. (2 ³ / ₄ " I.D. x .103)
60-62 Corvette (exc. P/Trac.)	3772034 2	.50	"O" RING (2 ⁷ / ₈ " I.D. x .070)
63-76 Corvette	3820238 2	.55	SHIELD , rear wheel inner bearing dust

5.829 NUT, Rear Axle

63-75 Corvette	378137 2	.37	rear wheel spindle flange (3/4" — 20)— (6.022)
63-64 Corvette	3691530 2	.15	rr. wheel spindle supt. strut adj. cam (1/2" — 20)— (7.395)

BRAKES—REAR AXLE AND DRIVE

5.830 WASHER, Rear Axle					
63-76	Corvette	3839832	2	.53	rear wheel spindle flange (7/32" thk.)
5.855 BEARING ASSY.— SHIM, Rear Wheel					
56	Corvette				
63-73	Corvette	7450700	2	6.19	outer — (6.311)
63-76	Corvette	7451202	2	6.84	inner (Hyatt A-200233-Z) — (5.447)
56	Corvette	900700	2	18.90	BEARING UNIT , w/retaining ring
57	Corvette	907071	2	22.30	BEARING UNIT , w/retaining ring
58-59	Corvette				
60-62	Corvette w/P/Trac.	7451415	2	29.90	BEARING UNIT , w/retaining ring (Hy J FN1542 WAB-27)
58-62	Corvette (exc. P/Trac.)	907294	2	25.74	BEARING UNIT , w/retaining ring (NDRW (507BRSY1Z))
63-76	Corvette	3820233	1	.37	SHIM , rear wheel bearing (.097)
63-76	Corvette	3820232	1	.37	SHIM , rear wheel bearing (.103)
63-76	Corvette	3820231	1	.37	SHIM , rear wheel bearing (.109)
63-76	Corvette	3820230	1	.37	SHIM , rear wheel bearing (.115)
63-76	Corvette	3820229	1	.37	SHIM , rear wheel bearing (.121)
63-76	Corvette	3820228	1	.37	SHIM , rear wheel bearing (.127)
63-76	Corvette	3820227	1	.37	SHIM , rear wheel bearing (.133)
63-76	Corvette	3820226	1	.37	SHIM , rear wheel bearing (.139)
63-76	Corvette	3820225	1	.37	SHIM , rear wheel bearing (.145)

5.858 GREASE CAP— HUB CAP— COVER, Wheel

GREASE CAP

NOTE: For front Caps. See Group 6.330.

HUB CAP

53-55	Corvette	3716754	4	50.50	
67	Corvette w/disc brakes (exc. aluminum)	3901712	4	6.60	(2-piece)
73-74	Corvette w/Alum. Wheels	331430	4	5.50	crossed flags
65	Corvette	3964521	4	30.75	
66	Corvette	3964518	4	27.00	w/ornament
67	Corvette w/15 x 6L alum. wheel	3910731	4	30.50	

COVER, Wheel

68-74	Corvette	3923630	4	43.00	(15" wheel) (convex ornament)
68-76	Corvette w/rally wheel	3925801	4	16.35	w/ornament

5.864 CLIP, Wheel Hub Cap Lock

67	Corvette w/15 x 6L aluminum wheel	3910733 A.R.		.30	wheel trim
----	-----------------------------------	--------------	--	-----	------------

5.871 RING— EMBLEM— HUB— NUT ASSY.— ORNAMENT— RETAINER— SCREW, Wheel Cover Appearance

67	Corvette w/15 x 6JK wheel	9796696	4	14.95	wheel trim
68-75	Corvette w/rally wheel	3923626	4	13.80	wheel trim
64-66	Corvette w/knock off wheels	3853825	4	13.45	EMBLEM , wheel lock nut
68-74	Corvette	3923631	4	13.70	HUB , wheel cover (convex emblem)
56-62	Corvette	3964510	4	12.25	ORNAMENT (knock-off)
63	Corvette (exc. knock-off wheels)				
66	Corvette (exc. knock-off wheels)	3964515	4	6.25	ORNAMENT
65	Corvette (exc. knock-off wheels)	3964520	4	12.15	ORNAMENT
67	Corvette w/disc brakes (exc. aluminum)	3901715	4	3.25	ORNAMENT , hub cap
67	Corvette w/15 x 6L alum. wheel	3908161	4	7.80	ORNAMENT
68-76	Corvette (exc. wheel trim cover)	3925805	4	4.50	ORNAMENT ASSY.
67	Corvette w/15 x 6L aluminum wheel	3910734	15	5.35	RETAINER
67-76	Corvette w/disc brakes (exc. aluminum)	3824195	16	.10	SCREW , wire wheel cover ornament (8— 18 x 9/16") (hex. hd.-spherical face)
68	Corvette	9416704	48	.10	SCREW , wheel cover ornament, wheel cover hub— (8.977)

5.875 STEM ASSY.— EXTENSION, Tire Valve

55-62	Corvette	273232	5	1.08	tubeless tire, snap in type (1 5/8" O.L.)
68-69	Corvette				
71-74	Corvette	9417745	4	.58	EXTENSION , tubeless tire valve stem (7/8" O.L.)

BRAKES—REAR AXLE AND DRIVE

5.880 INFLATER AS SY., Tire

66-74 Corvette **3891441** 1 6.70

GROUP 6.000
FRONT AXLE —
STEERING



FRONT AXLE—STEERING

6.020 KNUCKLE ASSY., Steering					
53-62	Corvette	3737594	2	30.45	(forged 3693446) (daub of yellow paint) . . .
63-64	Corvette	3828580	2	34.60	(forged 3828580) . . .
65-67	Corvette	3864023	2	33.15	
68	Corvette	3924384	2	33.15	
69-75	Corvette	3953416	2	35.70	
6.021 BUSHING, Steering Knuckle King Pin					
53-62	Corvette	602124	4	.85	(1 ⁵ / ₁₆ " x 1 ³ / ₆₄ ") . . .
6.022 NUT, Steering Knuckle Spindle					
53-75	Corvette	378137	2	.37	(³ / ₄ "— 20 hex.) . . .
69-75	Corvette	3953436	2	.48	strg. knuckle spindle (2 ⁷ / ₃₂ "— 20 thd.) . . .
6.023 SUPPORT, Steering Knuckle					
53-62	Corvette	3733449	1	17.10	left (forged 3733449) (daub of orange paint) . . .
6.103 ARM UNIT, Steering Knuckle					
63-67	Corvette	3829497	L.H.	32.95	strg. knuckle (L.H.) (Note 1) . . .
63-67	Corvette	3829498	R.H.	32.95	strg. knuckle (R.H.) (Note 1) . . .
<i>NOTE 1 Consists of 1 arm and 1 rivet.</i>					
68-75	Corvette	3955523	L.H.	12.10	steering knuckle (L.H.) . . .
68-75	Corvette	3955524	R.H.	12.10	steering knuckle (R.H.) . . .
6.104 BOLT, Steering Knuckle Arm					
60-75	Corvette (exc. H.D. Brake)	1385922	A.R.	.54	steering knuckle arm short— (5.002) . . .
63-69	Corvette	3815933	2	.58	shock absorber relay rod bracket, upper and (7 ⁷ / ₁₆ "— 20 x 2 ¹ / ₄ ")— (0.662) . . .
68-75	Corvette w/H.D. Brake	3916286	A.R.	.26	(1 ¹ / ₂ "— 20 x 2 ²⁹ / ₃₂ ") (short) . . .
69-75	Corvette (exc. H.D. Brake)	3871512	A.R.	.26	(1 ¹ / ₂ "— 20 x 2 ³ / ₄ ")— (5.002) . . .
69-75	Corvette w/H.D. Brake	3948881	2	.56	(long) . . .
6.163 RETAINER, Steering Knuckle Upper Control Arm					
63-71	Corvette	3710586	4	.16	bushing (small hole ³ / ₈ " I.D.) . . .
72-75	Corvette	9785742	2	.26	bushing (small hole ³ / ₈ " I.D.) . . .
6.164 SHAFT UNIT— BUSHING— STUD UNIT, Steering Knuckle Upper Control Arm					
63-75	Corvette	3845244	2	11.95	(Note 3) . . .
<i>NOTE 3 Consists of 1 shaft, 2 bushings, 2 retainers, 2 washers and 2 bolts.</i>					
63-75	Corvette	401267	4	1.35	BUSHING (1 ¹ / ₂ " O.D. x 1 ¹ / ₂ " O.L.) . . .
63-75	Corvette	3865827	2	15.00	STUD UNIT , ball replacement . . .
<i>NOTE. On late production assys. with untapped lubrication fitting holes, it is necessary to use self tapping lube fittings or tap new threads for standard type lube fittings.</i>					
6.166 SEAL— FITTING, Steering Knuckle, Upper and Lower Control Arm					
53-62	Corvette	599180	A.R.	.16	upper and lower shaft bushing . . .
53-62	Corvette	599199	4	.16	lower pivot bolt bushing . . .
53-62	Corvette	3687699	4	.16	upper pivot bolt bushing . . .
53-62	Corvette	9411019	2	.15	FITTING , upr. shaft rr. bshg. lub. (90)— (8.964) . . .
6.168 ARM, Steering Knuckle Upper and Lower Control					
53-62	Corvette	3692170	2	53.00	upper (threaded type) . . .
53-62	Corvette	3708197	L.H.	N.L.	ARM ASSY. , left, lower (threaded type) (Note 1) . . .
53-62	Corvette	3693470	R.H.	N.L.	ARM ASSY. , right, lower (threaded type) (Note 1) . . .
<i>NOTE 1 Does not include shaft.</i>					
63-75	Corvette	3832349	L.H.	35.50	ARM ASSY. , left, upper (Note 2) . . .
63-75	Corvette	3832350	R.H.	35.50	ARM ASSY. , right, upper (Note 2) . . .
63-75	Corvette	3849393	L.H.	45.75	ARM ASSY. , lower left (Note 2) . . .
63-75	Corvette	3849394	R.H.	45.75	ARM ASSY. , lower right (Note 2) . . .
<i>NOTE 2 Includes ball stud assy.</i>					
6.169 SHAFT ASSY.— SHAFT UNIT, Steering Knuckle Lower Control Arm					
53-62	Corvette	3737597	2	13.45	(forged 3691468) (daub of yellow paint) (Note 1) . . .
<i>NOTE 1 Consists of 1 shaft, 2 bshgs. and 2 seals.</i>					
63-75	Corvette	3749296	2	16.00	SHAFT UNIT (forged 3738505) (Note 2) . . .
<i>NOTE 2 Consists of 1 shaft, 2 bushings, 2 retainers, 2 bolts, 2 washers.</i>					
6.170 BUSHING— CAP— RETAINER, Steering Knuckle Lower Control Arm Shaft					
63-75	Corvette	3714368	4	1.11	(1 ¹³ / ₁₆ " O.D. x 2 ³ / ₃₂ " O.L.) . . .
70-76	Corvette	348390	4	.17	CAP , bushing . . .

FRONT AXLE—STEERING

6.170 BUSHING— CAP— RETAINER, Steering Knuckle Lower Control Arm Shaft (Con't)

63-75	Corvette	3714369	4	.18	RETAINER, lower arm bushing ($\frac{7}{16}$ " I.D. x $1\frac{13}{16}$ " O.D.)
-------	----------	---------	---	-----	--

6.172 BOLT— CAM— NUT— WASHER, Steering Knuckle Lower Control Arm Attaching

53-62	Corvette			.17	($\frac{1}{16}$ "— 20 x $1\frac{1}{2}$ ") (300-M steel)
67-68	Corvette	3707480	A.R.	.41	($\frac{9}{16}$ "— 18 x $2\frac{5}{16}$ ") (300-M steel)
63-74	Corvette	3779097	2	.20	CAM, steering knuckle lower control arm adjusting outer
70-76	Corvette	3790331	2	.72	NUT ($\frac{7}{16}$ "— 20) (2 holes, $2\frac{1}{2}$ " long)
63-76	Corvette	3742249	2	.11	NUT ($\frac{3}{8}$ "— 24)— (0.626)
63-69	Corvette	3866766	A.R.	.10	WASHER ($\frac{37}{64}$ ")
63-75	Corvette	3779096	2		

6.174 BOLT— NUT— STUD UNIT, Steering Knuckle Lower Control Arm Pivot

70-72	Corvette	3882954	2	.37	ball stud ($\frac{5}{16}$ "— 24 x $1\frac{1}{8}$ ")
53-62	Corvette	3690683	2	4.25	BOLT UNIT, replacement (Note 1)
<i>NOTE 1 Consists of 1 bushing, 2 seals, 1 bolt, and 1 nut.</i>					
53-62	Corvette	3687666	2	.23	NUT, lock ($\frac{3}{4}$ "— 11)
63-74	Corvette	3886422	2	15.75	STUD UNIT, lower ball replacement
<i>NOTE On late production assy. with untapped lubrication fitting holes. It is necessary to use self tapping lub. fittings or tap new threads for standard type lube fittings.</i>					

6.176 BUMPER, Steering Knuckle Upper and Lower Control Arm

53-62	Corvette	3708834	2	.86	upper
53-62	Corvette	3858017	2	.23	lower (attaches to lwr. spring seat
63	Corvette	3722380	2	.77	upper (rubber)
63-75	Corvette	384220	2	.31	upper
63-76	Corvette	3742252	2	.58	lower
76	Corvette	3742247	2	.46	upper
76*	Corvette	367916	2		SPACER, lower cont. arm bpr.

6.178 BOLT— NUT— SHIM, Steering Knuckle Upper Control Arm

63-67	Corvette	3888248	4	.30	($\frac{7}{16}$ "— 20 x $2\frac{1}{4}$ ")
68-76	Corvette	381909	4	.32	($\frac{7}{16}$ "— 13 x $2\frac{1}{4}$ ") (300-M steel)
66	Corvette	9422298	A.R.	.10	NUT, rr. susp. lower control arm ($\frac{3}{8}$ "— 24)— (8.917)
66	Corvette	9422300	A.R.	.11	NUT, strg. knuckle upper control arm assy. ($\frac{7}{16}$ "— 20)— (8.917)
63-70	Corvette	3751282	A.R.	.12	SHIM ($\frac{7}{16}$ ")
71-73	Corvette	6270717	A.R.	.11	SHIM (.030)

6.181 BEARING ASSY.— RING— STUD, Steering Idler and Third Arm Shaft

53-62	Corvette	905506	1	18.72	(ND 5506TY 1E)
53-62	Corvette	274815	1	.53	RING, brg. retainer (type T)— (8.934)
53-62	Corvette	3706041	1	7.20	STUD ($3\frac{3}{16}$ " long)
57-62	Corvette w/H.D. brake/susp.	3747591	2	8.05	STUD, ball ($2\frac{1}{4}$ " long)

6.186 BRACKET ASSY.— BOLT, Steering Idler Third Arm

63-75	Corvette	3819289	1	.72	lever support
57-62	Corvette w/H.D. brake/susp.	2066840	1	.36	BOLT, plate assy. ($\frac{3}{8}$ "— 24)— (5.586)

6.203 PIN, King

53-62	Corvette	599207	2	2.25	($\frac{5}{16}$ " O.L.)
-------	----------	--------	---	------	--------------------------

KING PIN REPLACEMENT UNIT

NOTE Following replacement unit include 2 king pins, 2 lock pins, 4 knuckle bushings, 4 knuckle plugs, 2 thrust bearings, 4 thrust bearing shims (also plug covers and lock rings where used).

53-62	Corvette	603386	1	14.10	
-------	----------	--------	---	-------	--

6.210 BEARING, King Pin Thrust

53-62	Corvette	373476	2	.75	
-------	----------	--------	---	-----	--

6.214 SHIM, King Pin Thrust Bearing

53-62	Corvette	373481	A.R.	.08	(.005)
-------	----------	--------	------	-----	--------

6.216 PIN, King Pin Lock

53-62	Corvette	373455	2	.29	($\frac{3}{8}$ "— 24 x $1\frac{15}{16}$ " O.L.)
-------	----------	--------	---	-----	--

6.223 PLUG, Knuckle Expansion

53-62	Corvette	599208	4	.11	
-------	----------	--------	---	-----	--

6.225 COVER— RING, King Pin Oil

53-62	Corvette	599210	2	.12	king pin bearing plug
-------	----------	--------	---	-----	-----------------------

FRONT AXLE—STEERING

		6.225 COVER— RING, King Pin Oil (Con't)		
53-62	Corvette	599209	4	.10 RING, lock
		6.232 SLEEVE, Front Axle Tie Rod		
63-75	Corvette	3826816	2	3.64 adjusting (10 ¹⁹ / ₃₂ " O.L. ⁵ / ₈ "— 18 x 1 ¹⁵ / ₁₆ ")
		6.233 END ASSY., Tie Rod		
<i>NOTE. On End Assy'S. requiring a dust seal. See group 6.111.</i>				
53-62	Corvette	3737595	1	8.10 left (4 ¹ / ₂ " long) ⁹ / ₁₆ "— 18 L.H. thd.) (forged 369 1955)
53-62	Corvette	3737596	1	8.10 right (daub of yellow paint) (forged 369 1956)
63-75	Corvette	3826596	2	8.10 short, left (3 ¹⁵ / ₁₆ " O.L.) (3826597)
63-75	Corvette	3826814	2	8.10 right, (3 ¹⁹ / ₁₆ " O.L.) (forged 3826815)
<i>NOTE. Some end assy. have untapped lubrication fitting holes, on these it is necessary to use a self tapping lub. fittings or tap new threads for standard type lub. fittings.</i>				
		6.234 CLAMP, Tie Rod End		
53-66	Corvette	599234	A.R.	.48 strg. shaft lwr. brg. spring clamp (³ / ₄ " I.D. x ³ / ₄ " wide)
63-66	Corvette	3954397	2	.58
70-75	Corvette	3954397	4	.58
		6.242 SEAL, Tie Rod Socket		
53-64	Corvette	3687643	A.R.	.16 (1 ¹ / ₂ " O.D.)
65-75	Corvette	3826598	4	.16 (1 ¹ / ₂ " I.D. x 1 ³⁹ / ₆₄ " O.D.)
		6.255 PLUG, Tie Rod		
53-75	Corvette (exc. P/S)	335977	1	.65 conn. rod— (6.881)
		6.307 HUB, Front Wheel		
53-62	Corvette	3775686	2	19.00 (forged)
63-64	Corvette	3812712	2	13.80 HUB ASSY., w/bolts (5 holes— 6 O.D.)
65-68	Corvette	3998278	2	90.50 HUB ASSY., (w/disc)— (5.809)
69-75	Corvette	3991024	2	63.50 HUB ASSY., w/disc— (5.809)
		6.311 BEARING ASSY., Front Wheel Inner		
53-62	Corvette	909052	2	19.72 (Note 1)
<i>NOTE 1 Consists of cone, cup and separator.</i>				
63-68	Corvette	7450630	2	4.88 (HY-LM-67048-LM-67010)
69-75	Corvette	7450700	2	6.19 (HY-LM-48548-LM-48510)
		6.313 BEARING ASSY., Front Wheel Outer		
53-62	Corvette	909067	2	10.08 (Note 1)
<i>NOTE 1 Consists of cone, cup, and separator (also listed separately).</i>				
63-68	Corvette	7450627	2	3.87 (HY-LM-11949-11910)
69-75	Corvette	7450697	2	5.40 (HY-M-12649-M-12610)
		6.315 CONE, Front Wheel Outer Bearing (See Group 6.313 Bearing Assy.)		
		6.321 WASHER, Steering Knuckle Spindle		
53-62	Corvette	3663991	2	.19 (³ / ₄ " I.D. x 1 ¹⁵ / ₁₆ " O.D.)
63-68	Corvette	3985839	2	.17
69-75	Corvette	568860	2	.26 (w/knuckle having inner cone seat 1 ¹⁹ / ₃₂ " O.D.)
		6.323 DEFLECTOR, Front Hub or Drum Oil		
53-62	Corvette	3687629	2	.48 hub, inner (1 ¹⁷ / ₃₂ " I.D. x 3 ⁷ / ₁₆ " O.D.)
		6.326 FELT— SEAL ASSY., Front Wheel Bearing		
53-62	Corvette	3656536	2	1.30 w/retainer inner brg. (stamped 41)
63-68	Corvette	3876192	2	1.06 SEAL ASSY., inner brg.
69-75	Corvette	3953412	2	1.01 SEAL ASSY., inner brg.
		6.330 GREASE CAP, Wheel Bearing		
53-75	Corvette	6274217	2	.90 front (2 ⁵ / ₆₄ " O.D.)
63-68	Corvette	539153	2	.29 front (1 ¹ / ₄ " x 2 ¹ / ₂ ")
		6.500 SPRING— BOLT— COVER— PLATE— RACK— ROD ASSY.— SCREW— WASHER, Steering Column Lock Bolt		
69-75	Corvette w/T.W., Tel. W.	7805827	1	1.85 strg. shaft
69-75	Corvette (exc. T.W., Tel. W.)	7804771	1	.37 strg. column shaft upper
69-75	Corvette w/T.W., Tel. W.	7808614	1	1.25 BOLT, shaft lock
69-75	Corvette (exc. T.W. Tel. W.)	7806185	1	1.96 BOLT, w/spring
69-76	Corvette (exc. T.W., Tel. W.)	7806232	1	2.21 COVER, shaft lock plate
69-70	Corvette (exc. T.W., Tel. W.),			

FRONT AXLE—STEERING

6.500 SPRING— BOLT— COVER— PLATE— RACK— ROD ASSY.— SCREW— WASHER, Steering Column Lock Bolt (Con't)

71-75	Corvette (exc. T.W., Tel. W.)	7804786 A.R.	3.93	PLATE, shaft lock
69-70	Corvette w/Tel., T.W., Tel. W.	7806937 1	9.40	PLATE, shaft lock
71-75	Corvette w/T.W., Tel. W.	7811995 1	2.33	PLATE ASSY., shaft lock
69-75	Corvette w/T.W., Tel. W.	7804923 1	3.52	RACK, ign. switch actuator— (2.195)
69-74	Corvette (exc. T.W., Tel. W.)	7806118 1	4.00	ROD ASSY., w/rack, ign. switch actuator— (2.195)
69-75	Corvette w/T.W., Tel. W.	7803646 1	3.28	ROD ASSY., ign. switch actuator— (2.195)
69-71	Corvette w/T.W. Tel. W.	7806114 1	4.77	ROD ASSY., w/rack ign. switch actuator— (2.195)
69-73	Corvette	7804772 3	.29	SCREW, lock plate cover
69	Corvette w/T.W., Tel. W.	7803623 1	.48	SCREW, shaft lock bolt spring
69-75	Corvette (exc. T.W., Tel. W.)	7805950 1	.44	WASHER, spring thrust
71-74	Corvette (exc. T.W., Tel. W.)	7811794 1	.41	WASHER, spring retainer

6.507 KIT, Hydraulic Steering (Small Parts) (see Groups 6.551 for adapter kits and 6.609, 6.610, 6.612, 6.614 for pump kits)

63-75	Corvette	5686382 1	2.51	cylinder, piston rod seal (Note 1)
<i>NOTE 1 Consists of 1 each seal, ring, washer, scraper, and element.</i>				
63-74	Corvette	5687997 1	2.03	control adapter valve seal and washer (Note 2)
<i>NOTE 2 Consists of 2 seals. 1 "O" ring and 1 nut.</i>				
63-75	Corvette	5691207 1	1.25	ball stud
63-74	Corvette	5691959 1	41.65	valve assy
70-74	Corvette	5688501 1	43.90	valve control
70-74	Corvette	5687999 1	35.05	steering control valve
74-75	Corvette	7817308 1	43.90	valve unit strg. valve and adapter

6.508 GEAR ASSY., Steering

NOTE. Assemblies do not include mast jacket, except where shown.

63-69	Corvette	7808927 1	105.25	(Note 1)
70-75	Corvette	7812913 1	71.45	

NOTE 1: When using 7808927 in place of 5677641-42-5699038-7806900, reuse the old coupling assy. and flange pinch bolt or order new coupling and pinch as reqd.

6.509 BOLT, Steering Gear to Frame

63-76	Corvette	3820342 A.R.	.23	(⁹ / ₈ "— 24 x 4 ¹ / ₂ " (round hd. sq. neck)
70	Corvette,			
73-75	Corvette	399803 2	.39	hex. (⁷ / ₁₆ "— 14 x 4 ⁷ / ₁₆ "
70-71	Corvette	5467056 1	.72	(¹ / ₂ "— 20 x 2.300M)— (5.056)

6.512 EXTENSION— HUB ASSY., Steering Wheel Hub

NOTE. Direction signal housings are in 2.906 group.

69-76	Corvette w/T.W., Tel. W.	3949109 1	3.25	
63-66	Corvette (exc. Tel. W.)	3828382 1	13.75	HUB ASSY
67	Corvette,			
68	Corvette w/Tel. Wheel	3923697 1	12.40	HUB ASSY
68	Corvette (exc. Tel. W., T.W.)	3923696 1	10.65	HUB ASSY
69-75	Corvette w/T.W., Tel. W.	3949110 1	11.50	HUB ASSY
69-76	Corvette (exc. Tel. W., T.W.)	3937896 1	19.25	HUB ASSY.

6.513 WHEEL ASSY., Steering

NOTE. For Horn Ring see group 2.830, for Horn Cap see group 2.820.

69-75	Corvette	333590 1	56.30	plastic (black) (15" dia.)
-------	----------	----------	-------	----------------------------

6.514 SHOE— BUMPER— GUIDE— KNOB— LEVER— PIN— PLATE— RETAINER— ROD— SCREW— SHIELD— SPACER— SPHERE UNIT— SPRING— SUPPORT ASSY.— WEDGE, Tilt or Tel. Steering Column

69-75	Corvette w/T.W., Tel. W.	7804925 1	4.60	lock (3 position)
69-75	Corvette w/T.W., Tel. W.	7813068 1	4.60	lock (4 position)
73-75	Corvette w/T.W., Tel. W.	7813069 1	.72	BUMPER, strg. rel. down
73-75	Corvette w/T.W., Tel. W.	7813235 1	.95	BUMPER, strg. column retracted strg. shift
74	Corvette w/T.W. Tel. W.	5698416 1		BUMPER, strg. column down
69-75	Corvette w/T.W., Tel. W.	7800176 1	.95	GUIDE, strg. col. tilt spring
67	Corvette w/Tel. W., T.W.	3931817 1	5.30	KNOB, strg. shaft lock
68-76	Corvette w/T.W., Tel. W.	3949108 1	2.71	LEVER, strg. column lock
69-71	Corvette w/T.W., Tel. W.	3832567 1	1.32	LEVER, wheel release
69	Corvette w/T.W., Tel. W.	7800154 1	5.75	LEVER, shoe, release
71-75	Corvette w/T.W. Tel. W.	7805291 1	5.80	LEVER, shoe rel.
72-76	Corvette w/T.W., Tel. W.	3990859 1	1.38	LEVER ASSY., w/knob tilt wheel control
69-75	Corvette w/T.W., Tel. W.	5698406 1	.35	PIN, shoe rel. lever
69-75	Corvette w/T.W., Tel. W.	7810363 2	1.01	PIN, pivot
70	Corvette w/T.W., Tel. W.	5698688 2	.72	PIN, shoe release
71-75	Corvette w/T.W. Tel. W.	7806567 1	.35	PIN, strg. col. tilt lock shoe retainer
70-75	Corvette w/T.W., Tel. W.	7804915 1	1.97	PLATE, steering column support lock

FRONT AXLE—STEERING

**6.514 SHOE— BUMPER— GUIDE— KNOB— LEVER— PIN— PLATE—
RETAINER— ROD— SCREW— SHIELD— SPACER— SPHERE UNIT—
SPRING— SUPPORT ASSY.— WEDGE, Tilt or Tel. Steering Column
(Con't)**

69-75	Corvette w/T.W., Tel. W.	7800177	1	.48	RETAINER, spring
69-74	Corvette w/T.W., Tel. W.	5693417	1	2.51	ROD, shaft lock
65-68	Corvette w/Tel. W.	3863914	1	1.55	SCREW, strg. shaft lock knob
69-76	Corvette w/T.W., Tel. W.	3949135	1	2.63	SCREW, strg. shaft lock knob
69-74	Corvette w/T.W., Tel. W.	7807274	4	.29	SCREW, strg. column support
70-75	Corvette w/T.W., Tel. W.	7805608	1	.48	SHIELD, steering column tilt lever opening
67-74	Corvette w/T.W., Tel. W.	3952781	1	1.33	SPACER, strg. column lock
75	Corvette w/T.W., Tel. W.	348325	1	1.25	SPACER, strg. column lock
69	Corvette w/Tel. W., T.W.	7808159	2	.59	SPACER UNIT, shoe spring repair (Note 1)
<i>NOTE 1 Consists of one 5694191 or 580074 ring and 7808157 spacer.</i>					
69-75	Corvette w/Tel. W., T.W.	7808505	2	3.11	SPHERE UNIT, shaft centering
69-75	Corvette w/T.W., Tel. W.	5698410	1	.72	SPRING, shoe rel.
69-75	Corvette w/T.W., Tel. W.	7804912	2	.48	SPRING, lock shoe return
70-75	Corvette w/T.W., Tel. W.	7807635	1	15.85	SUPPORT ASSY., turn signal housing
69-75	Corvette w/Tel. W., T.W.	7809977	1	1.85	WEDGE, column locking

6.515 RETAINER— WASHER, Steering Wheel

76	Corvette	419454	1	.11	RETAINER, strg. whl. nut
63-63	Corvette,				
65-68	Corvette w/Tel. W.	3905522	1	.10	hub (19/32" I.D. x 15/16" O.D.)

**6.518 COLUMN ASSY.— BUMPER ASSY.— BRACKET— COVER— EXTENSION—
HOUSING ASSY.— JACKET— ROD— SCREW— SHROUD— STRAP—
SUPPORT ASSY.— TUBE ASSY., Mast (Also see group 6.803)**

68	Corvette (exc. Tel. W.)	7803909	1	76.15	
68	Corvette w/Tel. W.	7803910	1	141.50	
69-74	Corvette (exc. T.W., Tel. W.)	7812240	1	106.00	
69-75	Corvette w/T.W., Tel. W.	7815669	1	222.50	
75-76	Corvette (exc. T.W., Tel. W.)	7818920	1	98.50	
75	Corvette w/T.W., Tel. W.	5698416	1		BUMPER, strg. column down
69-75	Corvette	347894	1	31.40	BRACKET, strg. column supt.
67	Corvette	3901945	1	.72	COVER, strg. gear jacket lower
67	Corvette	3901944	1	.72	COVER, strg. gear jacket upper
68	Corvette	7800512	1	1.08	COVER, strg. col. mesh
68	Corvette	3914214	1	1.25	COVER, strg. gear jacket upper
68	Corvette	3914215	1	1.25	COVER, strg. gear jacket lower
69-75	Corvette (exc. T.W., Tel. W.)	7807986	1	6.40	COVER, trans. lock tube housing
69-75	Corvette w/T.W., Tel. W.	7808410	1	7.50	COVER, trans. cont. lk. tube shroud
68	Corvette	3935617	1	18.75	COVER ASSY., inst. panel lower strg. column (saddle) (Note 1)
69-76	Corvette	333423	1	24.25	COVER ASSY., inst. panel lwr. strg. col. (Note 1)
68	Corvette	3922081	1	11.50	EXTENSION, strg. gear jacket upper (black)
68	Corvette	3922082	1	7.65	EXTENSION, strg. gear jacket lower (black)
68	Corvette	3922257	1	7.40	EXTENSION, strg. gear jacket lower (red)
68	Corvette	3922263	1	6.85	EXTENSION, strg. gear jacket upper (med. blue)
68	Corvette	3922265	1	11.50	EXTENSION, strg. gear jacket lower (med. blue)
68	Corvette	3922267	1	11.50	EXTENSION, strg. gear jacket upper (gunmetal)
69-74	Corvette w/T.W., Tel. W.	7813095	1	59.65	HOUSING ASSY., strg. column strg. shaft brg.
75	Corvette w/T.W., Tel. W.	7818782	1	59.65	HOUSING ASSY., strg. column strg. shaft brg.
71-75	Corvette (exc. T.W., Tel. W.)	7811390	1	12.30	HOUSING, strg. col. shft. tube bowl
64-66	Corvette (exc. Tel. W.)	3866469	1	9.60	JACKET ASSY.
67	Corvette (exc. Tel. W.)	7802118	1	28.20	JACKET ASSY.
68	Corvette (exc. Tel. W.)	7804030	1	33.05	JACKET ASSY.
69-72	Corvette (exc. T.W., Tel. W.)	7805743	1	46.20	JACKET ASSY., strg. column
69-75	Corvette w/T.W. Tel. W.	7805697	1	53.60	JACKET ASSY.
73-75	Corvette (exc. T.W., Tel. W.)	7815762	1	46.20	JACKET ASSY., strg. column
75	Corvette w/T.W., Tel. W.	7819032	1	1.80	ROD, tel. lock
69-70	Corvette w/T.W., Tel. W.	9420804	3	.17	SCREW, strg. column housing
69-70	Corvette (exc. T.W., Tel. W.)	7806897	1	.29	SCREW, cover to shroud
71-75	Corvette	7808784	3	.35	SCREW, strg. col. cvr. to shroud
70-75	Corvette w/Tel. W., T.W.	7808408	1	18.25	SHROUD, strg. column trans. cont. lock tube
71-73	Corvette w/T.W., Tel. W.	7811350	1	7.25	SHROUD, strg. col. G/S hsg. bowl
67-68	Corvette	7800016	1	7.15	SUPPORT ASSY., upper strg. shaft brg. & sig. sw.

FRONT AXLE—STEERING

6.518 COLUMN ASSY.— BUMPER ASSY.— BRACKET— COVER— EXTENSION— HOUSING ASSY.— JACKET— ROD— SCREW— SHROUD— STRAP— SUPPORT ASSY.— TUBE ASSY., Mast (Also see group 6.803) (Con't)

70-75	Corvette w/T.W., Tel. W.	7805702	1	36.00	TUBE ASSY., strg. col. trans. control lk.— (4.025)
70-75	Corvette (exc. T.W., Tel. W.)	7805747	1	25.00	TUBE ASSY., strg. col. trans. control lk.— (4.025)

NOTE 1 Paint as required.

6.519 SEAL, Gear Shaft

53-61	Corvette	6264903	1	.19	(1 ¹ / ₁₆ " I.D. x 7 ⁷ / ₆₄ ")— (4.338)
68	Corvette	3937189	1	.16	strg. gear jacket cover

6.521 BEARING ASSY.— ADAPTER— CLAMP— PACKING— RACE— REINFORCEMENT— RETAINER— RING— SEAT— SLEEVE— SPACER— SPRING— WASHER, Mast Jacket

53-62	Corvette	5660233	1	3.94	upper (w/cable)
63	Corvette	5672508	1	3.28	upper (w/horn wire) (Note 1)

NOTE 1 Consists of bearing and cable assy., spring and O ring seal. On models prior to 1958 file off key on nylon upper brg. sleeve.

63-65	Corvette (exc. Tel. W.)	7802845	1	2.39	intermediate shaft and yoke
64-66	Corvette (exc. T.W.)	5955201	1	.85	upper
65-66	Corvette w/Tel. W.	5674684	2	2.08	strg. column upper shaft
67-68	Corvette	7800407	1	1.25	shaft lower bearing
67-68	Corvette	7801324	1	2.51	strg. shaft column
67-70	Corvette (exc. T.W., Tel. W.)	7800289	1	1.74	upper shaft
69-75	Corvette	7805700	1	3.80	lower shift tube
69-75	Corvette	7805365	1	1.01	bowl lever
69-75	Corvette w/Tel. W., T.W.	5696210	1	2.40	upper strg. shaft lower
69-75	Corvette	7805822	1	1.01	ADAPTER
67-68	Corvette	7802662	1	1.08	CLAMP, lower brg.
67-68	Corvette w/Tel. W.	7802244	1	.35	PACKING, lower brg.
69-75	Corvette w/Tel. W., T.W.)	5693941	1	1.92	RACE, upper shaft lower bearing
69-75	Corvette	7804440	1	.65	REINFORCEMENT, lower bearing adapter
53-62	Corvette	265471	1	.17	RETAINER, upper
65-67	Corvette w/Tel. W.,				RETAINER, lower and upper shaft brg.,
67-68	Corvette (exc. T.W.),				strg. shaft stop ring,
69	Corvette				strg. upper shaft assy.
71-75	Corvette w/T.W., Tel. W.	580074 A.R.		.11	RETAINER, column lwr. brg.
67-68	Corvette w/Tel. W.	7800413	1	2.33	RETAINER, lower bearing adapter
69-75	Corvette	7804439	1	.41	RETAINER, inter. strg. shaft coupling seal ..
70	Corvette w/T.W., Tel. W.	7803432	2	.37	RING, upper retaining
67-68	Corvette (exc. T.W.)	5699603	1	.41	RING, lower brg. retaining
67-68	Corvette w/T.W. (exc. Tel. W.) ..	7800214	1	.29	RING, shaft upper.
67-68	Corvette	7801404	1	.72	SEAT, lower
63-66	Corvette (exc. Tel. W.)	3824101	1	.87	SEAT, lower brg. upper
67-68	Corvette (exc. Tel. W.)	262474	1	.29	SEAT, upper strg. col. shaft, upper bearing ..
69-74	Corvette w/Tel. W., T.W.	7804909	1	1.25	race
71-73	Corvette (exc. T.W., Tel. W.)	7806405	1	.65	SLEEVE, strg. col. strg. shaft centering
63-65	Corvette (exc. Tel. W.)	3840897	1	.17	SPACER, strg. shaft lower brg.
69	Corvette (exc. T.W., Tel. W.)	7804541	1	.78	SPACER, lower bearing
53-62	Corvette	3741877	1	.15	SPRING, upper (5 coils— 1 ⁹ / ₃₂ " free length)
63-66	Corvette (exc. Tel. W.)	3758803	1	.15	SPRING, lower (3 coils)
67-68	Corvette w/Tel. W.	7800397	1	.72	SPRING, lower
69-75	Corvette w/Tel. W., T.W.	5695946	1	.72	SPRING, upper
69-74	Corvette (exc. T.W., Tel. W.)	7804771	1	.37	SPRING, strg. col. shaft upper
69	Corvette w/T.W., Tel. W.	7808505	1	3.11	SPRING, center sphere
71-75	Corvette w/T.W., Tel. W.	7801309	1	1.74	SPRING, tilt wheel
67-68	Corvette	7802124	1	.29	WASHER, lower brg. thrust

6.524 SHAFT ASSY.— YOKE ASSY., Steering Gear, with Worm

58-62	Corvette	5672001	1	16.75	(5 ¹ / ₄ " O.L.)
63-69	Corvette	5677658	1	10.85	(7 ⁷ / ₁₆ " O.L.) right hand thread
63-66	Corvette (exc. Tel. W.)	5690810	1	9.50	upper (37 ¹ / ₃₂ " O.L.)
63-71	Corvette	5677650	1	26.65	w/ball nut
65-66	Corvette w/Tel. W.	5694176	1	43.80	strg. column
67	Corvette (exc. Tel. W.)	5699851	1	23.85	(Note 1)

NOTE 1: When used for replacement on vehicles with single row ball bearing also order the following parts. 1-jacket 7802118, 1-brg. 7800407, 1-seal 7802244, 1-washer 7802124, 1-seat 262474, 1-spring 7802245, 1-shaft 5699851, 1-clamp 7802662, 1-bolt 454924, 1-nut 3866766, 1-spacer 7802978.

67	Corvette w/Tel. W.	7803004	1	57.60	(Note 2)
----	-------------------------	---------	---	-------	----------------

NOTE 2 When using on vehicles not incorporating a lower bearing clamp also order 1 spacer 7802978, 1 clamp 7802662, 1 bolt 454924 and 1 nut 3866766.

68	Corvette w/Tel. W.	7802380	1	53.25	
68	Corvette (exc. Tel. W.)	7803052	1	23.30	

FRONT AXLE—STEERING

6.524 SHAFT ASSY.— YOKE ASSY., Steering Gear, with Worm (Con't)

69	Corvette w/T.W., Tel. W.	7805705	1	93.65	upper and lower strg.
69	Corvette (exc. T.W., Tel. W.)	7805745	1	26.00	strg. col.
69-75	Corvette w/T.W., Tel. W.	7806314	1	30.35	strg. col. lower steering
70-74	Corvette w/T.W., Tel. W.	7800164	1	25.80	strg. col. upper steering
70-74	Corvette (exc. Tel. W., T.W.)	7808678	1	24.10	strg. column
70-71	Corvette	7808316	1	35.45	strg. gear
70-74	Corvette w/Tel. W., T.W.	7809174	1	82.20	strg. column upper and lower strg. (complete)
71	Corvette	7810077	1	10.55	injected strg. repair upper and lower
72-73	Corvette w/T.W., Tel. W.	7804469	1	22.00	steering upper
71-75	Corvette	7812942	1	35.45	strg. gear
75	Corvette w/T.W., Tel. W.	7818679	1	27.00	strg. col. upper steering
75	Corvette (exc. T.W., Tel. W.)	7819303	1	27.50	strg. col.
75	Corvette w/T.W., Tel. W.	7818945	1	82.20	strg. col. upper and lower (complete)
71-75	Corvette w/T.W., Tel. W.	7809169	1	32.95	YOKE ASSY., strg. col. shaft upper

6.525 COUPLING UNIT— COUPLING ASSY.— BEARING ASSY.— BOLT— FLANGE— NUT— REINFORCEMENT— SCREW— SEAL— SPACER— SPRING— WASHER, Steering Shaft U-Joint

63-66	Corvette (exc. Tel. W.)	5691327	1	15.40	lower w/flange
67-69	Corvette (exc. P.S.)	7806391	1	11.25	w/flange
69-75	Corvette	7818568	1	13.75	lower w/flange
71-73	Corvette w/T.W., Tel. W.	7804801	1	3.30	inter. strg. shaft splg.
63-66	Corvette (exc. Tel. W.)	5690809	1	30.15	COUPLING ASSY., w/lower flange
70	Corvette	5671921	2	.67	BEARING ASSY., U joint coupling
63-66	Corvette	5690496	1	1.32	BOLT (5/16"— 24 x 1 1/8") lwr. flange to upper flange (pin dia. 1/4")
63-66	Corvette	5690497	1	2.27	BOLT (5/16"— 24 x 1 1/8") lwr. flange to upr. flange (pin dia. 3/8")
65-76	Corvette	7807271	1	.95	BOLT (3/8"— 24 x 1 7/32")
69-74	Corvette	7806388	1	.90	BOLT, coupling (5/16"— 24 x 1 9/16")
69-74	Corvette	7806389	1	.90	BOLT, coupling (3/8"— 24 x 1 9/16")
67-68	Corvette	7806747	1	2.09	BOLT UNIT
63-66	Corvette (exc. Tel. W.)	5690811	1	7.85	FLANGE, upper
67-68	Corvette (exc. Tel. W.)	7800569	1	3.23	FLANGE, strg. jacket housing
70	Corvette w/Tel. W., T.W.	5699294	1	7.65	FLANGE, strg. shaft
67-76	Corvette	7807052	1	8.85	FLANGE ASSY., strg. gear shaft upper
65-75	Corvette	3654642 A.R.		.11	NUT, steering gear shaft upper flange, steering col. to steering gear— (7.238)
63-67	Corvette,				
69	Corvette	5682486	2	.22	REINFORCEMENT, intermediate shaft coupling
71-75	Corvette w/T.W., Tel. W.	7803623	1	.48	SCREW, strg. col. strg. shft. lk. bolt spring
67	Corvette	7802978	1	1.01	SPACER, strg. column shaft
70-71	Corvette	5675186	1	.25	SPRING, upper shaft coupling
67-75	Corvette (exc. T.W.)	7800580	1	.31	WASHER, upper retaining ring thrust— (4.012)
67	Corvette (exc. T.W.)	7800581	1	.35	WASHER, upper retaining ring wave— (4.012)

6.550 VALVE ASSY.— ADAPTER ASSY., Steering Gear Hydraulic

NOTE. For Seal and Gasket Kits see group 6.507.

63-73	Corvette	5691955	1	50.40	w/adapter
74	Corvette	7816806	1	48.25	w/adapter
64-75	Corvette	5691130	1	27.50	ADAPTER ASSY.
75	Corvette	5691208	1		PLUG & ADAPTER

6.551 SHAFT KIT, Steering Gear Hydraulic Valve

63-75	Corvette	5687998	1	2.39	(Note 1)
					<i>NOTE 1 Consists of valve shaft and ball seat spring.</i>
63-75	Corvette	5691150	1	4.95	KIT, adapter (Note 2)
					<i>NOTE 2 Consists of 2 seats, 1 each, seal, spring, stud, lock nut, spacer and screw or bolt.</i>
63-75	Corvette	5691151	1	12.50	KIT, adapter and sleeve (Note 3)
					<i>NOTE 3 Consists of 1 each, adapter and plug assy., relay rod, clamp, lock nut, seal, spacer screw and bolt.</i>
63-75	Corvette	5691690	1	1.60	KIT, ball stud seal and clamp

6.552 SPRING— SEAL— RETAINER— WASHER, Steering Gear Hydraulic Valve

63-74	Corvette	5687990	1	.17	adjustment (6 coils— 25/32" free length)
63-73	Corvette	5691957	1	.48	w/assy. 5691955
70-73	Corvette	5688441	1	.26	w/valve (2.9 coils— 25/64" free length)
63	Corvette	5691199	1	.21	SEAL, end plug, valve housing— 6.581)
65-74	Corvette	5681740	1	.18	SEAL, "O" ring, valve reaction spool (27/64" I.D.)— (6.674)
63-74	Corvette	5687006	1	.29	RETAINER, spring
63-74	Corvette	5687991	1	.17	WASHER, spring thrust (7/8" O.D.)

FRONT AXLE—STEERING

6.554 COVER KIT— GASKET— SPACER— WASHER, Hydraulic Steering Valve				
64-73	Corvette	5687996	1	.59 dust, with lock nut
74-75	Corvette	7816810	1	.39 dust, w/lock nut
63-75	Corvette	5691581	1	.30 GASKET , adapter annulus spacer
63-75	Corvette	5685469	1	.26 SPACER , adapter annulus
63-75	Corvette	5687011	1	.17 WASHER , adapter shaft
6.560 SLEEVE— KEY— PLUG— SEAT— SPRING, Hydraulic Steering Adapter				
63-74	Corvette	5687704	1	3.46 bearing (1 ⁷ / ₃₂ " O.D. x 1 ¹³ / ₁₆ " O.L.)
63-75	Corvette	5686218	1	.11 KEY (9/16" dia. hole)
63-75	Corvette	5691747	1	2.27 PLUG , adjuster ball (1 ⁵ / ₁₆ " O.D. x ²¹ / ₃₂ " thk.)
63-73	Corvette	264946	2	.65 SEAT , ball (1 O.D.)— (6.874)
63-75	Corvette	5687733	1	.17 SPRING , ball seat (9/32" free hgt.-spiral shape)
6.575 BRACKET— NUT— REINFORCEMENT, Hydraulic Steering Cylinder				
63-76	Corvette	3832131	1	3.15 frame
63-76	Corvette	3829413	1	.13 NUT , frame bracket (9/8"— 24)
63-76	Corvette	3832132	2	1.55 REINFORCEMENT , frame bracket
6.576 CYLINDER ASSY., Steering Gear Hydraulic				
<i>NOTE. For Seal and Gasket Kits see group 6.507.</i>				
63-76	Corvette	5691112	1	37.80 (23 ⁵ / ₆₄ " O.L.)
6.581 WASHER— GROMMET— PLUG— RING— SEAL— SEAT— SPACER— SPRING— STUD, Hydraulic Steering Cylinder Piston Rod				
63-75	Corvette	3938729	2	.78 cyl. to cyl. tie rod brkt. grommet retainer (1 ¹³ / ₃₂ " I.D. x 1 ³ / ₈ " O.D.)
63-74	Corvette	3709452	2	.10 hyd. strg. cyl. to hyd. strg. cyl. frame bracket (1/2" I.D. x 1 ³ / ₈ " O.D.)
74-76	Corvette	3709452	2	.10 GROMMET , cyl. to frame bracket
63-75	Corvette	5691201	1	.59 PLUG , ball stud end (1 ³ / ₁₆ " O.D.)
63-75	Corvette	5691200	1	.17 RING , ball stud plug retainer
63-64	Corvette	3687643	1	.16 SEAL , ball stud— (6.111)
63-75	Corvette	5691199	A.R.	.21 SEAL , "O" ring, end plug, valve housing
63-75	Corvette	264936	1	.48 SEAT , ball stud
63-75	Corvette	264937	1	.17 SEAT , ball stud spring
63-76	Corvette	3709917	1	.10 SPACER , cyl. to frame brkt. (9/8" I.D. x 1 ³ / ₆₄ " O.L.)
63-75	Corvette	5684403	1	.11 SPRING , ball stud seat
63-75	Corvette	5685382	1	1.38 STUD , mounting ball
6.584 SEAL, Steering Gear Hydraulic Cylinder				
63-64	Corvette	3687643	1	.16 cyl. ball stud— (6.111)
6.605 PUMP ASSY.— OIL, Steering Gear Hydraulic				
65-73	Corvette	7808286	1	71.80
74	Corvette	7816847	1	71.80
75-76	Corvette	7818044	1	73.25
53-75	Corvette	1050017	A.R.	1.01 OIL (lgt. can)— (8.800)
6.606 BRACKET— BRACE— BOLT— STUD— SUPPORT, Steering Gear Hydraulic Pump Mounting				
63-65	Corvette (Sp. H/Per. w/Hyd. lifters)	3786870	1	2.40 used w/pump w/rear mtg. studs (Note 1)
<i>NOTE 1. Used with Belt 3848263 found in group 6.660.</i>				
65-68	Corvette (427),			
70-74	Corvette (454)	3946002	1	6.95
65-69	Corvette (396, 427),			
70-74	Corvette (454) (exc. H.D.)	3946000	1	6.50 BRACE
68-75	Corvette	3792380	1	.28 BOLT , pump mounting brkt. to support (9/8"— 16 x 3 ³ / ₄ "
71-75	Corvette	3826039	2	.13 BOLT , pump mtg. bracket to support (9/16"— 18 x 1 ³ / ₄ "
63-75	Corvette	5689546	2	.46 STUD (9/8"— 16 thd. both ends 1 ¹ / ₁₆ " hex.)
64-65	Corvette	3858138	1	1.50 SUPPORT
65-66	Corvette w/P/S,			
65-75	Corvette (exc. 427 H/Per., 454)	3928493	1	4.20 SUPPORT UNIT
6.608 HOUSING ASSY.— PIN, Steering Gear Hydraulic Pump				
65-66	Corvette	5692883	1	26.65
67-75	Corvette	7807934	1	33.55
63-75	Corvette	5689357	2	.25 PIN , dowel (9/16") (Note 1)
<i>NOTE 1: Used with pumps with date stamped on reservoir 356xx7 or higher.</i>				

FRONT AXLE—STEERING

6.609 KIT— PLATE— RING— SEAL, Steering Gear Hydraulic Pump	
63-75 Corvette	5688044 1 4.12 seal
63-75 Corvette	5689358 1 1.20 PLATE, pump end (2 ²⁵ / ₆₄ " dia.)
63-75 Corvette	5688014 1 .19 RING, end plate retaining (3" O.D.)
63-75 Corvette	5688034 2 .72 SEAL (2 ⁵¹ / ₆₄ " I.D.)
6.610 VANE KIT— ROTOR KIT, Steering Gear Hydraulic Pump	
63-75 Corvette	5688047 1 11.15 (consists of 10 vanes) (Note 1)
<i>NOTE 1 Used with pumps with date stamped on reservoir 356xx7 or higher.</i>	
63-75 Corvette	5690858 1 35.30 ROTOR KIT
6.612 PLATE— SPRING, Steering Gear Hydraulic Pump	
63-75 Corvette	5688043 1 5.55 pressure (1 ¹⁷ / ₃₂ " thk.)
63-75 Corvette	7813462 1 5.55 thrust
63-75 Corvette	5688037 1 .44 SPRING, flow control (1 ³¹ / ₃₂ " free length)
63-75 Corvette	5689359 1 .19 SPRING, pressure plate
6.614 SHAFT, Steering Gear Hydraulic Pump Drive	
63-66 Corvette	7807816 1 9.05 (4 ⁹ / ₁₆ " O.L.)
67-74 Corvette	7810333 1 11.50 (Note 1)
<i>NOTE 1. Used with pumps with date stamped on reservoir 356xx7 or higher.</i>	
75 Corvette	7818175 1 15.35
6.616 RING, Hydraulic Pump Drive Shaft Outer Bearing Retaining	
69-75 Corvette	5689388 1 .25
6.617 SEAL, Steering Gear Hydraulic Pump Drive Shaft	
63-66 Corvette	5688020 1 1.62 (stamped 5688020)
67-75 Corvette	7808195 1 1.77
6.624 VALVE ASSY., Steering Gear Hydraulic Pump Control	
63-68 Corvette	5692407 1 6.85 (includes plunger, guide, ball spring, screw, filter assy. and shim)
70-75 Corvette	7809226 1 4.12
6.630 FILTER— ELEMENT, Hydraulic Steering Pump	
63-73 Corvette	5689351 1 3.41 oil
63-73 Corvette	5689352 1 1.92 ELEMENT, filter
6.635 RESERVOIR ASSY.— CAP ASSY.— SEAL, Steering Gear Hydraulic Pump	
64-66 Corvette	5692845 1 10.85
67-74 Corvette	5696997 1 11.55
75 Corvette	7818166 1 17.10
63-75 Corvette	7803820 1 3.30 CAP ASSY., filler
63-75 Corvette	5688015 1 1.25 SEAL, "O" ring, reservoir (4 ¹ / ₂ " I.D.)
63-75 Corvette	5688109 2 .26 SEAL, reservoir bolt (2 ⁹ / ₆₄ " O.D.)
6.655 PULLEY— GUARD— NUT— WASHER, Steering Gear Hydraulic Pump	
<i>NOTE: In some cases double groove pulleys may be used in place of single groove pulleys.</i>	
63-68 Corvette (327),	
69-74 Corvette w/C.A.C. (350)	3770509 1 6.25 (5 ⁴⁷ / ₆₄ " O.D.)
65-68 Corvette (Spec. H/Per. w/Hyd. Lifters) (327) (exc. Air Cond.),	
69-70 Corvette (350) (exc. Spec. H/Per., C.A.C.),	
70 Corvette (350) w/Spec. H/Per.,	
71-74 Corvette (exc. 454, C.A.C.)	3834720 1 9.95
65 Corvette (396),	
66-69 Corvette (427) (exc. H.D.),	
70 Corvette (454 H/Per.) (exc. C.A.C.),	
70 Corvette (454 H.D.),	
71-74 Corvette (454)	3878245 1 19.50 (6 ¹ / ₂ " O.D.)
65-66 Corvette w/Spec. H/Per. (Hyd. Lifters), C.A.C. (327)	3868892 1 6.25 (5 ²³ / ₃₂ " O.D.)
75 Corvette w/C.A.C. (350)	346289 1 6.25
65-66 Corvette, w/Air Cond., 62 amp. gen.,	
67-69 Corvette (exc. 427),	
70-76 Corvette (350)	3890478 1 1.85 GUARD, belt
63-75 Corvette	3824475 1 .22 NUT, pulley (9 ¹ / ₁₆ "— 18)
66-69 Corvette (exc. 427 H/Per.),	
70-76 Corvette (350)	3860454 2 .10 WASHER, belt guard (9 ¹ / ₈ " I.D. x 1 ¹⁷ / ₃₂ " O.D.)
6.660 BELT, Steering Gear Hydraulic Pump Drive	
<i>NOTE See Group 1.066 for 1970-1972 Belts.</i>	

FRONT AXLE—STEERING

6.660 BELT, Steering Gear Hydraulic Pump Drive (Con't)

65-68	Corvette (396, 427) (exc. C.A.C.)	9433632	1	4.35	(⁹ / ₈ " x 45 ¹ / ₈ ")— (1.066)
65-68	Corvette (396, 427) (exc. C.A.C.)	9433716	1	3.85	(31 ⁵ / ₈ " long)— (1.066)
66-68	Corvette (Sp. H/Per. w/C.A.C.) (327)	9433725	1	4.55	(36 ¹ / ₈ " long)— (1.066)
66	Corvette w/C.A.C. (427)	3953778	1	4.35	(43 ¹ / ₄ " long)— (1.066)
69	Corvette	9433738	1	4.75	(43 ¹ / ₄ " long)— (1.066)

6.670 HOSE— PIPE, Steering Gear Pressure

63-76	Corvette (exc. 396, 427, 454)	3826277	1	5.45	pump to control valve (inlet)
65-69	Corvette (396, 427),				
70-74	Corvette (454) (exc. H.D.)	3878886	1	7.35	pump to control valve inlet
63-76	Corvette	3826275	1	3.40	PIPE, strg. control valve to extend cyl.
63-76	Corvette	3826276	1	3.71	PIPE, strg. control valve to retract cyl.

6.671 HOSE, Steering Gear Return

63-76	Corvette	3826278	1	3.05	pump to control valve (outlet)
-------	----------	---------	---	------	--------------------------------

6.672 CLAMP— BRACKET, Hydraulic Steering Pump Hose

63-73	Corvette	3874661	1	.10	strg. to gear, inlet and outlet
74-75	Corvette	7817342	1	3.71	BRACKET, hyd. steering hose guide

6.673 FITTING ASSY.— SEAT, Steering Gear Hydraulic Valve Hose

64-68	Corvette	5692843	1	3.17	w/filter pump outlet
70-75	Corvette	7811618	1	1.92	w/orifice
63-75	Corvette	5682044	A.R.	.25	SEAT, pump body connector return port. (1 ¹ / ₄ " I.D. x 1 ¹ / ₂ " O.D.)
63-75	Corvette	5681757	A.R.	.17	SEAT, steering cylinder (⁹ / ₁₆ " I.D. x ³ / ₈ " O.D.)

6.674 SEAL, Steering Gear Hydraulic Valve Hose and Fitting "O" Ring

63-75	Corvette	5688049	1	.26	pump outlet fitting (¹⁵ / ₁₆ " O.D.)
63-75	Corvette	5688036	1	.26	"O" ring pump outlet fitting (²⁷ / ₆₄ " I.D.)
63-74	Corvette	5681740	1	.18	"O" ring valve reaction spool (²⁷ / ₆₄ " O.D.)

6.677 PIPE ASSY., Hydraulic Steering (Refer to Grp. 6.670)

6.758 COLLAR— PLATE— SEAL, Steering Column

69-73	Corvette (exc. T.W., Tel. W.)	7805550	1	1.25	
68-69	Corvette	3911114	1	.90	PLATE, strg. column bracket anchor
69-75	Corvette w/T.W., Tel. W.	7806815	1	1.83	SEAL, strg. column to dash
70	Corvette w/Tel. W. T.W.	7805572	1	2.07	SEAL, strg. column to dash
71-73	Corvette w/Tel. W.T.W.	7809696	1	1.41	SEAL, dash toe plate

6.760 BOLT— BRACE— BRACKET— SCREW— SUPPORT, Steering Column

68-69	Corvette	3928894	A.R.	.10	(⁷ / ₁₆ "— 18 x ⁵ / ₈ ") column support brkt.
69-75	Corvette (Conv.)	3958303	1	1.74	BRACE, supt. to body hinge pillar gusset
69-75	Corvette (Conv.)	3958304	1	1.74	BRACE, supt. to body hinge pillar
69-75	Corvette (Conv.) w/C.A.C.	3958305	1	1.74	BRACE, supt. to under body
69-75	Corvette (Conv.) (exc. C.A.C.)	3962667	1	2.03	BRACE, supt. to under body
75-76	Corvette	347894	1	31.40	BRACKET, strg. column support
63-66	Corvette	3826260	1	.11	SCREW, upper and lower clamp
64-66	Corvette (exc. Tel. W.)	3839153	1	.47	SUPPORT ASSY.
67	Corvette	3897422	1	1.70	SUPPORT ASSY., strg. gear jkt., lower
67	Corvette	3897415	1	1.55	SUPPORT ASSY., strg. col. to brk. pedal brkt.
69-76	Corvette	3945328	1	3.71	SUPPORT ASSY., strg. col.

6.786 BUSHING— BEARING, Pitman Shaft

63-75	Corvette	266316	A.R.	1.95	(1 ¹ / ₈ " I.D. x 1 ³ / ₈ ")
53-62	Corvette	148418	1	2.03	BEARING, housing (1 ¹ / ₈ " I.D. x 1 ³ / ₈ " O.D. x 1 long)

6.803 HOUSING, Steering Gear

NOTE. For Steering Gear Housings not listed see Group No. 6.508.

63-75	Corvette	5677646	1	32.50	(w/bushing)
-------	----------	---------	---	-------	-------------

6.806 SEAL, Steering Gear

63-75	Corvette	5674114	1	.83	shaft grease (1 ¹ / ₁₆ " I.D. x 1 ¹ / ₈ " O.D.)
-------	----------	---------	---	-----	---

6.807 COVER ASSY., Steering Gear Housing (Also see group 6.518)

63-75	Corvette	7806748	1	9.25	side w/bushing
-------	----------	---------	---	------	----------------

6.809 GASKET, Steering Gear Housing Side Cover

63-75	Corvette	5666734	1	.20	(3" holes ¹³ / ₃₂ " I.D.)
69-75	Corvette	7807009	3	.27	(⁹ / ₈ "— 16 x ³ / ₄ ")

FRONT AXLE—STEERING

6.822 ADJUSTER, Pitman Shaft					
53-75	Corvette	7802482	1	.60	lash (7/16"— 20 x 1 9/16")
6.828 SHIM UNIT, Steering Gear Lash Adjuster					
53-75	Corvette	605142	1	.83	(.063-.065-.067-.069 thk.)
6.830 ADJUSTER ASSY.— LOCKNUT, Steering Gear Housing End Cover Worm Bearing					
63-75	Corvette	5677643	1	5.80	
74-75	Corvette	5676217	1	.76	LOCK NUT, adj (2 3/4-16)
6.832 NUT, Steering Gear Worm Bearing					
63-75	Corvette	5676217	1	.76	adjuster lock (2 3/4"— 16 thread)
6.835 BEARING— CUP, Steering Worm Thrust					
53-62	Corvette	261866	2	1.55	(1 3/4" O.D.)
63-75	Corvette	5666693	2	1.02	(1 5/16" O.D.)
63-75	Corvette	5666683	2	1.86	CUP (1 1/2" O.D. x 5/16" thk.)
6.841 NUT, Steering Gear Ball					
63-71	Corvette	5677095	1	12.75	(R.H. thread)
6.842 GUIDE, Steering Gear Ball Return					
63-71	Corvette	5677107	1	.22	(R.H. thread)
6.843 CLAMP— SCREW ASSY., Steering Gear Ball Return Guide					
63-74	Corvette	5677106	1	.29	(5/8" wide, R.H. thread)
63-69	Corvette	5674113	3	.17	SCREW ASSY., w/lockwasher (12— 28 x 5/16")
6.844 BALL, Steering Gear					
63-72	Corvette	7808541 A.R.		.11	(9/32" dia.)
73-75	Corvette	5671106	1	2.87	
6.850 SHAFT UNIT— SHAFT, Steering Gear Pitman					
53-62	Corvette	3707787	1	34.75	
63-75	Corvette	7812838	1	15.85	SHAFT, w/gear
6.855 SEAL ASSY., Pitman Shaft					
63-75	Corvette	7801626	1	1.47	
6.859 ARM, Pitman					
63-76	Corvette w/P/S	3741383	1	11.50	(forged 3741383)
63-75	Corvette (exc. P/S)	3829451	1	11.50	(forged 3829451)
6.861 NUT, Pitman Arm					
53-62	Corvette	254291	1	.26	(3/4"— 16 x 3/8" thick— 1 1/4" hex.)
63-75	Corvette	5667628	1	.65	w/integral pwr. strg.
6.865 ABSORBER ASSY.— BRACKET— BOLT, Steering Shock Absorber					
63-68	Corvette (exc. P/S, F.I., H/Per., Spec. H/Per.)	4975447	1	13.25	strg. shock
63-68	Corvette (exc. P/S, F.I., H/Per., Sp. H/Per.)	3830242	1	2.25	BRACKET, shock absorber frame
63-68	Corvette (exc. P/S, F.I., Spec. H/Per.)	3830243	1	.90	BRACKET, relay rod
63-65	Corvette (P/S, F.I., Spec. H/Per.)	3815933	2	.58	BOLT, absorber to bracket (7/16"— 20 x 2 1/4")— (0.662)
63-67	Corvette (exc. P/S, F.I., Spec. H/Per., 427)	3707480 A.R.		.17	BOLT, bracket to relay rod (7/16"— 20 x 1 1/2")— (6.172)
6.870 ROD ASSY.— ROD— CLAMP, Steering Connecting (With Internal Parts)					
63-68	Corvette (exc. 396, 427, P/S)	3955521	1	49.00	relay w/strg. shock abs.
63-68	Corvette (396, 427) (exc. P/S)				
69-75	Corvette (exc. P/S)	3955512	1	35.00	relay (exc. strg. shocks abos.)
63-75	Corvette w/P/S	3952707	1	32.75	ROD, relay
CLAMP, Steering Connecting Rod					
53-62	Corvette	599234	2	.48	sleeve— (6.234)
6.874 SEAT— STUD, Steering Connecting Rod					
53-62	Corvette	595586 A.R.		.62	ball
63-73	Corvette w/P/S	264946	2	.65	adapter ball (1" O.D.)
63-75	Corvette (exc. P/S)	3741378	2	.57	ball stud
63-75	Corvette (exc. P/S)	3829448	1	.80	STUD, ball

FRONT AXLE—STEERING

6.876 SPRING, Steering Connecting Rod

53-62	Corvette	335976	A.R.	.58	(²⁵ / ₃₂ " free length)
63-75	Corvette (exc. P/S)	3741385	2	.58	ball stud (1" free length) (4 ¹ / ₄ " coils)

6.881 PLUG, Steering Connecting Rod End

55-75	Corvette (exc. P/S)	335977	A.R.	.65	rod end (1 ¹ / ₁₆ "— 18 thread x 1/2" O.L.)
53-62	Corvette	354456	A.R.	.10	(used as ball seat plug) (1/2" dia. x 1 ¹ / ₁₆ " O.L.— 1" dia. head)— (6.255)

6.886 SEAL— CLAMP, Steering Connecting Rod

53-62	Corvette	3705009	2	.41	(molded 3705009) (Note 1)
<i>NOTE 1. On units equipped w/P/S quantity required is one.</i>					
63-75	Corvette (exc. P/S)	3829450	1	.45	relay rod (1 ⁵ / ₁₆ " I.D. x 1 ³ / ₁₆ " O.D.)
64-68	Corvette (exc. P/S)	3826598	2	.16	(1/2" I.D. x 1 ³⁵ / ₆₄ " O.D.)— (6.242)
63-66	Corvette,				
67-75	Corvette (exc. P/S)	3830896	1	.24	CLAMP , relay rod seal

6.895 LEVER ASSY., Steering Idler

63-75	Corvette	3779184	1	16.25	(forged 3779185)
--------------	----------------	----------------	---	-------	------------------------

6.897 WASHER, Steering Idler

63-75	Corvette	3793578	1	.11	idler lever to relay rod (⁵ / ₈ "
--------------	----------------	----------------	---	-----	--

6.898 SEAL, Steering Idler

63-75	Corvette	3744796	A.R.	.16	lever to relay rod
63-75	Corvette	3779196	1	.18	lever (1 ¹ / ₂ " dia.)

GROUP 7.000
FRAME — SPRINGS
BUMPER

7.003 FRAME ASSY.

68	Corvette (exc. T.H.)	3949016	1	310.00	
68	Corvette w/T.H.	3949019	1	310.00	
69-73	Corvette w/A.T.	6258367	1	310.00	
69-73	Corvette (exc. A.T.)	6258366	1	310.00	
74	Corvette (w/A.T.)	339720	1	310.00	
74	Corvette (exc. A.T.)	339719	1	310.00	
75	Corvette (exc. A.T.)	348041	1	310.00	
75	Corvette w/A.T.	348042	1	310.00	

7.010 SHIM, Frame Cross, Front

56-62	Corvette	3733477	2	3.95	to frame
-------	----------	---------	---	------	----------

7.011 MEMBER ASSY.— BOLT— BRACKET ASSY., Engine (Attaches to frame side rails)

FRONT

63-67	Corvette	3900266	1	173.00	transfer support cross
68-74	Corvette (exc. A.T.)	3987884	1	31.50	trans. support cross
68-74	Corvette w/A.T.	3987886	1	43.50	trans. support cross
75	Corvette (exc. A.T.)	348311	1		MEMBER ASSY., trans. support cross
75	Corvette w/A.T.	348313	1		MEMBER ASSY., trans. support cross
68	Corvette w/3-Spd., A.T.	456958	2	.53	BOLT, trans. supt. (5/8" — 16 x 4")— (8.900)
68-75	Corvette w/A.T.	3913849	2	4.65	BRACKET ASSY., trans. support cross

7.012 MEMBER, Frame Cross, Intermediate (See Group 7.011 for Engine and Transmission Support Cross Member)

53-62	Corvette	3706152	1	4.75	trans. support (forged 3706152)
-------	----------	---------	---	------	---------------------------------

7.014 MEMBER, Frame Cross, Rear

53-62	Corvette	3744337	1	40.25	frame cross, rear
63-67	Corvette	3828035	1	19.40	frame cross, rear
68-73	Corvette	6263621	1	19.40	frame cross, rear
74	Corvette	339732	1	19.40	frame cross, rear
75	Corvette	348060	1		MEMBER, frame rear cross

7.039 BRACE— BRACKET— GUSSET— REINFORCEMENT ASSY., Crossmember

75	Corvette	3986809	L.H.	3.50	BRACE, front crossmember
75	Corvette	3986810	R.H.	3.50	BRACE, front crossmember
63-75	Corvette	3819337	L.H.	2.11	BRACKET, diff. carrier mounting rear
63-75	Corvette	3819338	R.H.	2.11	BRACKET, diff. carrier mounting rear
63-75	Corvette	3949055		3.10	BRACKET, diff. carrier mounting frt.
65-74	Corvette	3868716	R.H.	1.66	GUSSET, front
65-74	Corvette	3868715	L.H.	1.55	GUSSET, front
75	Corvette	348063	L.H.		GUSSET, front
75	Corvette	348064	R.H.		GUSSET, front
68-75	Corvette	3949017	L.H.	3.44	REINFORCEMENT ASSY., front cross member
68-75	Corvette	3949018	R.H.	3.44	REINFORCEMENT ASSY., front cross member

7.068 HITCH UNIT— BALL— HARNESS UNIT, Trailer

74	Corvette	994682	1	45.65	dead weight trailer hitch
75-76	Corvette	994795	1	29.25	trailer
74-76	Corvette	981148	1	3.25	BALL (1 7/8" dia.)
74-76	Corvette	994532	1	21.50	HARNESS UNIT, trailer wiring

7.112 HANGER, Rear Spring Front and Rear

56-62	Corvette	3731147	L.H.	9.05	front, (flat bottom)
56-62	Corvette	3731148	R.H.	9.05	front, (flat bottom)
56-62	Corvette	3731343	2	8.55	rear (no small holes)

7.238 NUT, Stabilizer Link

53-75	Corvette	3654642	2	.11	(5/16" — 24)
-------	----------	---------	---	-----	--------------

7.240 LINK— BOLT— SPACER, Stabilizer

53-62	Corvette	3706283	1	1.38	bolt type (5/16" — 24 x 1 1/4")
65-75	Corvette (396, 427, 454)	3872452	2	2.43	LINK UNIT, w/bushing (Note 1)
<i>NOTE 1: Consists of 1, 3872452 rear link and 1, 3872955 bushing assy.</i>					
60-76	Corvette	3817575	2	.54	BOLT, front stab. shaft link (5/16" — 24 x 5 25/32")
55-62	Corvette	3706284	1	1.60	SPACER, bolt grommet (6 1/8" long)
60-62	Corvette	3775445	2	.29	SPACER, rear shaft bushing bracket ("U" shape)

7.240 LINK— BOLT— SPACER, Stabilizer (Con't)

60-62	Corvette	3775448	2	.15	SPACER , rear shaft axle bracket (3 ¹³ / ₃₂ " O.L.)
60-62	Corvette	3775448	2	.22	SPACER , link bolt grommet (1 ⁷ / ₃₂ " O.D. x 1 ³¹ / ₃₂ ")
63-76	Corvette	37317574	2	.15	SPACER , bolt grommet

7.241 SHAFT, Stabilizer

63-64	Corvette (exc. spec. perf. susp., H.D. susp.),				
65-69	Corvette (427, 454) (exc. spec. perf. susp., H.D. susp.),				
70-72	Corvette (exc. spec. perf. susp., 454)	3831971	1	11.45	front
63-69	Corvette w/spec. perf., H.D. Susp.,				
70-73	Corvette (spec. perf. susp. w/Sp. H/Per.) (350),				
73-74	Corvette w/Spec. Susp.	3831972	1	12.00	front
65	Corvette Sp. H/Per. (396) (exc. H.D. susp.),				
66-67	Corvette (427) (exc. Sp. Perf. Susp. H.D.),				
73-76	Corvette (454) (exc. off-road package)	3871318	1	13.30	front
65-68	Corvette (396, 427),				
69-74	Corvette (427, 454)	3967713	1	29.25	rear (9/16" dia.)
73-75	Corvette (350) (exc. off-road package)	334930	1	11.45	front
75-76	Corvette w/Spec. Susp.	351596	1	25.50	front
75	Corvette w/Gymkhana Susp., (w/Spec. Susp.)	351597	1	12.00	rear

7.242 BRACKET--- RETAINER, Stabilizer Shaft

60-67	Corvette				front frame,
65-67	Corvette (396, 427)	3742248	2	.46	rear frame
65	Corvette (396),				
66-76	Corvette (427, 454, 350)	3871329	2	.88	rear link
68-74	Corvette				front,
70-74	Corvette (454),				
75	Corvette	3983075 A.R.		1.15	front, rear frame
65-67	Corvette (396, 427)	3871325	2	.80	RETAINER , rear

7.243 BUSHING, Stabilizer Shaft

53-62	Corvette	599430	2	.48	BUSHING , shaft
60-63	Corvette,				
65-67	Corvette (396, 427)	3742254	2	.84	rear shaft frame
63-67	Corvette (exc. spec. perf. susp., H.D. susp.)	3817573	2	.58	front shaft frame
63-67	Corvette w/spec. perf. susp., H.D. susp.	3828826	2	.64	front shaft frame
65	Corvette (396) (exc. H.D. Susp.),				
66-67	Corvette (427 Sp. H./Per.) (exc. Sp. Perf. Susp.),				
66	Corvette (427 H/Per.)	3871323	1	.70	front shaft frame
68-74	Corvette (exc. 427, 454, spec. perf. susp.)	3986427	2	.75	front frame
68-69	Corvette (350, 427),				
70-72	Corvette (spec. perf. susp. w/Sp. H/Per.) (350),				
70-76	Corvette (454, 350)	3923674	2	.75	front frame
68-74	Corvette (427, 454)	480912	2	.70	rear frame
75	Corvette w/Spec. Susp.	351600	2	.78	rear stab. shaft
75	Corvette w/Spec. Susp.	351595	1	.95	front stab. shaft
65-76	Corvette (396, 427, 454, 350)	3872955	4	.77	BUSHING ASSY. , rear stab. shaft link

7.244 GROMMET, Stabilizer Link

53-74	Corvette	6264018 A.R.		.20	rubber (1 ¹³ / ₃₂ " I.D. x 1" O.D.)
--------------	----------	---------------------	--	-----	---

7.245 RETAINER— PLATE, Stabilizer Link

53-74	Corvette	4941130 A.R.		.08	front shock absorber grommet lwr. and upr. end, frt. stab. link bolt grommet
65-75	Corvette (396, 427, 454, 350)	3877979	2	1.79	PLATE (3 x 3/4" w/2 holes)

7.330 BRACKET, Body

63-67	Corvette	3843373	2	2.66	No 4 (Note 1)
--------------	----------	----------------	---	------	---------------

7.330 BRACKET, Body (Con't)

NOTE 1 May be necessary to rework.

68-75	Corvette	3923650	2	4.00	No. 4
--------------	----------	---------	---	------	-------

7.345 ABSORBER UNIT, Shock

NOTE. Nos. following description are model and valve No. which are stamped on cover or valve nut.

FRONT

53-62	Corvette	3192095	2	14.75	shock
63-73	Corvette w/Spec. Perf. Susp.	5559365	2	14.75	shock
74-75	Corvette	4975486	2	14.75	shock

REAR

53-59	Corvette,				
57-59	Corvette w/H.D. Brake/Susp.,				
60-62	Corvette	3192962	2	14.75	(Note 1)
63-73	Corvette w/Spec. Perf. Susp.	4940459	2	19.95	shock
63-73	Corvette (exc. Spec. Perf. Susp.),				
74-75	Corvette	4975487	2	14.75	shock

NOTE 1: Includes 4 Bushings and 2 Nuts.

7.346 GROMMET, Shock Absorber, Air Lift

65-66	Corvette	6264018	4	.20	(7.244)
--------------	----------	---------	---	-----	---------

7.347 NUT— WASHER, Shock Absorber

63-64	Corvette	3866766	A.R.	.11	front shock— upper end (3/8" — 24 x 3/8" th)— (0.626)
73-76	Corvette	1365067	2	.11	frt. shk. abs.-upper end
65-76	Corvette	3790342	2	.10	WASHER , front upper (13/32" I.D. x 1 29/32" O.D.)

7.370 PLATE, Rear Shock Absorber Axle Anchor

56-59	Corvette	3714311	L.H.	5.75	
60-62	Corvette	3775449	L.H.	3.89	PLATE ASSY.
60-62	Corvette	3775450	R.H.	3.89	PLATE ASSY.

7.377 GROMMET, Shock Absorber Arm, Double Acting (See Gr. 7.388)

7.380 BRACKET— BOLT, Shock Absorber

53-57	Corvette,				
58-59	Corvette (exc. H.D. Brk. Susp.),				
60-62	Corvette	3688548	2	1.30	front, lower (dbl. acting)
63-65	Corvette (exc. Sp. H/Per. F.I.),				
67-69	Corvette	3815933	2	.58	BOLT , rear, upper end (7/16" — 20 x 2 1/4")— (0.662)

7.388 GROMMET, Shock Absorber Link, Double Acting

53-73	Corvette	6264018	4	.20	lower, upper end— (7.244)
65-76	Corvette	3790341	A.R.	.15	front, upper
53-76	Corvette	3735334	4	.15	rear, lower (rubber) (5/8" I.D.)

7.389 RETAINER, Shock Absorber Bushing (Double Acting)

53-69	Corvette	4941130	A.R.	.08	front and rear (25/64" I.D. x 1 1/4" O.D.)— (7.245)
56-76	Corvette (exc. Air Lift)	3714310	A.R.	.15	lower grommet outer (1 1/2" I.D. x 1 1/4" O.D.)

7.395 BRACKET— NUT, Shock Absorber Frame

63-75	Corvette	3819644	2	1.50	rear
53-64	Corvette				NUT , front,
74-76	Corvette	3691530	A.R.	.15	rr. shk. abs. (lower end) (1/2" — 20")— (5.383)

7.412 SPRING ASSY., Front

53-59	Corvette (exc. H.D. Brake/Susp.),				
60-62	Corvette	3756540	2	23.15	(dot of black paint on 2nd coil from wr. end) (1 3/4" free height)
57-59	Corvette w/H.D. Brake/Susp.	3748140	2	20.55	(gray) (1 1 1/8" free height)
63-64	Corvette w/C.A.C. (1st design),				
63-64	Corvette (1st design) (exc. Sp. Per.)	3832684	2	17.15	(lt. purple)
63-71	Corvette w/Sp. Perf. Susp., H.D. Susp.	3832518	2	21.50	(dk. green)
64-66	Corvette (2nd design) (exc. H.D. Sp. Perf. Susp.),				

7.412 SPRING ASSY., Front (Con't)

67	Corvette (427) (exc. H.D., Sp. Perf. Susp.)	3851100	2	20.60	(part No. on spring)
64-66	Corvette (2nd design) (exc. H.D., Sp. Perf. Susp.)	3888251	2	21.60	(part No. taped on spring)
66-67	Corvette w/C.A.C. (327 H/Perf.)	3888250	2	20.30	(part No. taped on spring)
66	Corvette w/427,				
67	Corvette w/427 (exc. C.A.C.),				
67	Corvette w/427 H/Perf. (exc. Sp. Perf. Susp.)	3888250	2	20.30	(part No. taped on spring)
68-71	Corvette (exc. Spec. Perf. Susp., 427, 454, C.A.C.)	331316	2	19.10	(part No. taped on spring)
68-71	Corvette (427, 454 Spec. H/Per.) (exc. Spec. Perf. Susp.)	331317	2	19.55	(part No. taped on spring)
68-71	Corvette w/C.A.C. (exc. 427, 454)	3931824	2	19.55	(part No. taped on spring)
68-71	Corvette (427, 454) w/C.A.C.	3931826	2	21.45	(part No. taped on spring)

7.447 TEE ASSY.— FITTING ASSY.— NIPPLE, Air Suspension Level Control

64-69	Corvette	336015	1	.74	special (1/8"— 18) two 1/4" hose take offs— (3.278)
65-70	Corvette	3891528	1	1.55	inlet manifold one 3/8" hose take off & one 1/4" hose take off
65-69	Corvette	3891526	1	.80	3/8" hose take off
65-72	Corvette	336013	1	.95	(3/8"— 18 pipe thd. 1 1/4" hose take off)— (3.278)
67-70	Corvette	3898593	A.R.	1.65	(3/8"— 18) two 5/16" hose take off
68-69	Corvette w/T.H., (427 H/Per.) (exc. P.B.),				
69	Corvette w/C.A.C. (427)	3921918	1	2.69	FITTING ASSY., vacuum inlet manifold
68-69	Corvette (P.B., C.A.C.) (427 H/Per.) (exc. T.H.)	3921920	1	1.38	FITTING ASSY., vacuum inlet manifold
68-69	Corvette (P.B., w/C.A.C., T.H.) (427 H/Per.)	3921921	1	1.55	FITTING ASSY., vacuum inlet manifold
70-72	Corvette w/A.T. (350) (exc. P.B.)	3973472	1	1.43	FITTING ASSY., vacuum inlet manifold
70-72	Corvette (P.B. w/Sp. H/Per.) (350, 454) (exc. A.T.)	3986116	1	1.38	FITTING ASSY., vacuum inlet manifold
70-72	Corvette w/A.T. (454) (exc. P.B.)	3986115	1	1.15	FITTING ASSY., vacuum inlet manifold
70-71	Corvette (P.B. w/A.T.) (454)	3986116	1	1.38	FITTING ASSY., vacuum inlet manifold
75	Corvette w/T.H.	3986115	1	1.15	FITTING ASSY., vacuum inlet manifold

7.495 LINER, Spring Leaf

63-74	Corvette	3794113	A.R.	1.68	rear (Note 1)
-------	----------	---------	------	------	---------------

NOTE 1 Cut as required.

7.503 SPRING ASSY., Rear

LEAF TYPE

63-72	Corvette (exc. H.D. Susp., Spec. Perf. Susp.)	356825	1	116.00	9 leaves
63-72	Corvette w/H.D. Susp., Spec. Perf. Susp.	3977578	1	74.75	(7 leaves)

73-75 See Spring Chart Section at the end of Group 7.000 in the Illustration Section.

7.504 BUSHING, Rear Spring Eye

53-62	Corvette	1427894	A.R.	.80	front eye (5/8" I.D. x 1 1/4" O.D. x 1 9/32" O.L.)
-------	----------	---------	------	-----	--

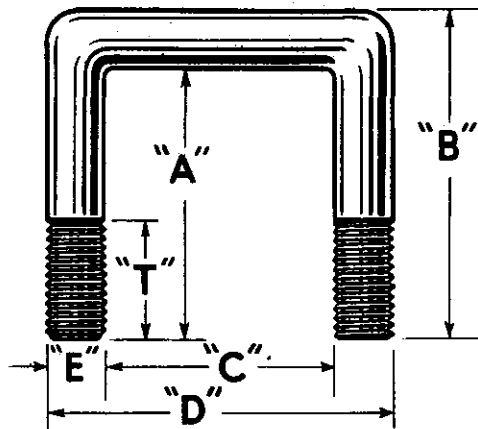
7.505 LEAF, Rear Spring

NOTE See group 7.503 for Spring Assy. Model application.

7.506 BOLT, Spring Center (Front and Rear)

53-72	Corvette	3723010	2	.70	fill. plain hd.— (5/16"— 24 x 3 5/8")
63-72	Corvette	351592	2	1.30	rear (5/16"— 18 x 6 1/2")
73-75	Corvette	6271686	2	1.25	rr. spring

7.516 U BOLT— NUT, Rear Spring



	A	B	C	D	E	T	PART
56-62 Corvette	6 ¹ / ₈	6 ⁵ / ₈	3 ¹ / ₁₆	4 ¹ / ₁₆	1/2	1 ¹ / ₂	3723981
53-64 Corvette		3891530 A.R.	.15	NUT (1/2" — 20) — (7.395)			
	7.518	PLATE, Rear Spring U Bolt (See group 5.403)					
56-59 Corvette		3714311 L.H.	5.75	anchor — (7.370)			
63-76 Corvette		3817582 1	2.70	anchor			
60-62 Corvette		3775449 L.H.	3.89	PLATE ASSY. (7.370)			
60-62 Corvette		3775450 R.H.	3.89	PLATE ASSY. (7.370)			
	7.523	SHACKLE UNIT, Rear Spring					
53-62 Corvette		3707891 2	4.26	(rubber bushing type)			
	7.524	BUSHING, Rear Spring					
53-62 Corvette		3708419 8	.75	shackle (rubber 1 O.D.)			
	7.529	BOLT— PIN, Rear Spring					
63-74 Corvette		3833486 4	.33	rear spring plate (9/16" — 12 x 3 1/8")			
75 Corvette		351592 2	1.30	rear spring			
53-62 Corvette		1433914 2	3.53	PIN, front eye, rear spring (3 ²³ / ₃₂ " O.L.)			
	7.535	BUMPER— SPACER, Rear Spring					
62 Corvette w/H.D. brake/susp.		3858017 2	.23	(1 ⁵ / ₈ " dia., 2 high) — (6.176)			
62 Corvette		3700333 2	.31	SPACER, rear spring bumper bracket— (0.002)			
	7.545	CUSHION— RETAINER, Rear Spring					
63-76 Corvette		3831586 4	.26	rear spring			

7.545 CUSHION— RETAINER, Rear Spring (Con't)

63-76	Corvette	3903701	4	.15	RETAINER, outer— (6.521)
63-76	Corvette	3910701	2	.31	RETAINER, inner

7.629 COVER— STRAP ASSY., Wheel and Tire Compartment

63-66	Corvette	3886899	1	47.25	spare wheel
68-74	Corvette	3914228	1	9.65	spare wheel
75	Corvette	345472	1	9.90	spare wheel
63-67	Corvette	3841460	1	13.05	STRAP ASSY., wheel carrier spare wheel
68-74	Corvette	342261	1	7.95	STRAP ASSY., wheel carrier spare wheel
75-76	Corvette	355380	1	7.95	STRAP ASSY., wheel carrier spare wheel

7.632 BOLT, Wheel Carrier

63-67	Corvette	3833383	2	1.50	spare wheel strap (7/16" — 14 x 9 5/8")
63-74	Corvette	3933819	1	1.92	wheel strap latch locking bolt (7/16" — 14 x 7)
65-67	Corvette w/gold wall tire	3872958	2	1.55	spare wheel strap
65-67	Corvette w/gold wall tire	3872959	1	1.92	spare wheel latch lock
68-75	Corvette	3956389	2	1.50	spare wheel strap
75	Corvette	345476	1	2.00	spare wheel latch locking

7.675 CASE ASSY., Wheel Carrier Lock

63-75	Corvette	3912416	1	6.95	spare wheel lock (w/key) (B&S 603778)
-------	----------	---------	---	------	---------------------------------------

7.679 COVER, Wheel Carrier Lock

63-76	Corvette	3841701	1	.58	carrier lock
-------	----------	---------	---	-----	--------------

7.680 CYLINDER ASSY., Wheel Carrier Lock

NOTE. See group 10.553 for tumbler unit, spring unit, and retainer used with lock cylinders.

67	Corvette,				
71	Corvette,				
75	Corvette	3903537	1	1.55	carrier lock
68	Corvette,				
70	Corvette	3981661	1	1.18	carrier lock
69	Corvette,				
72-73	Corvette	3912416	1	6.95	carrier lock

7.751 BRACKET, Spare Wheel Strap

68-75	Corvette	3914224	1	3.75	spare strap
-------	----------	---------	---	------	-------------

7.778 STRAP ASSY., Wheel Carrier (See Group 7.629)

7.800 BRACKET— BAR— BEZEL— BUMPER— EMBLEM— FRAME ASSY.— NUT, License Plate

58-62	Corvette	3736244	1	17.95	license plate, front
63-67	Corvette	3878898	1	.88	license plate, front
68-72	Corvette	3919711	1	1.45	license plate, front
73-74	Corvette	327643	1	1.30	license plate, front
75	Corvette	347929	1	4.70	license plate, front
75-76	Corvette	339142	1	.61	license plate, rear
58-62	Corvette	3736283	1	7.60	BAR, front bracket
63-67	Corvette	3797486	1	12.20	BEZEL, rear
68-73	Corvette	3919715	1	11.05	BEZEL, rear
55-60	Corvette	3711168	1	.15	BUMPER, rear (9/16" dia. x 1/2" long)— (16.400)
62-75	Corvette	3745361 A.R.		.11	BUMPER (rubber— 1/2")
61-74	Corvette	542846	1	.15	BUMPER, rear (rubber)
63-67	Corvette	3762180 A.R.		.20	BUMPER, front (9/16" dia. x 1/2")— (8.024)
73-74	Corvette	542846	1	.15	BUMPER, lic. plate
75-76	Corvette	355385	1	4.35	EMBLEM, front license plate filler (Corvette)
63-76	Corvette	3797485	2	4.60	FRAME ASSY., front and rear
63	Corvette	3783004 A.R.		.10	NUT, front and rear attaching (No. 10 Anchor)
61-62	Corvette,				
66-74	Corvette	3877254 A.R.		.19	NUT, frt. and rear (special spring 1/4" — 14) (Note 1)

NOTE 1 For flush mtd. plates cut off ext. above flange.

65	Corvette	3685721 A.R.		.10	NUT, front and rear (1/4" — 20)
----	----------	--------------	--	-----	---------------------------------

7.828 GUARD ASSY.— SPACER— REINFORCEMENT ASSY.— FILLER, Bumper and Grille

68-72	Corvette	3963127 L.H.		22.50	bumper, front
68-72	Corvette	3963128 R.H.		22.50	bumper, front
58-62	Corvette	3736249	2	.15	SPACER, front guard bracket support— rear

7.828 GUARD ASSY.— SPACER— REINFORCEMENT ASSY.— FILLER, Bumper and Grille (Con't)

73-74	Corvette	331829	L.H.	11.80	REINFORCEMENT ASSY., frt. bumper guard
73-74	Corvette	331830	R.H.	11.80	REINFORCEMENT ASSY., frt. bumper guard
75-76	Corvette	347927	L.H.	12.30	REINFORCEMENT ASSY., energy abs. frt. bar guard
75-76	Corvette	347928	R.H.	12.30	REINFORCEMENT ASSY., energy abs. frt. bar guard
73-74	Corvette	334751	L.H.	3.15	FILLER, frt. bpr. guard reinf.
73-74	Corvette	334752	R.H.	3.15	FILLER, frt. bpr. guard reinf.

7.829 BRACE, Bumper Guard Mounting

58-60	Corvette	3739307	2	1.95	guard, rear
-------	----------	---------	---	------	-------------

7.831 BAR— REINFORCEMENT ASSY., Bumper Face Front

58-60	Corvette	3739385	L.H.	69.65	bumper face
58-60	Corvette	3739386	R.H.	69.65	bumper face
61-62	Corvette	3782291	L.H.	60.60	
61-62	Corvette	3782292	R.H.	59.20	bumper face
63-67	Corvette	3797337	L.H.	74.75	bumper face
63-67	Corvette	3797338	R.H.	74.75	bumper face
63-67	Corvette	3797439	1	9.80	bumper face, center
68-72	Corvette	3974008	1	63.45	bumper face, front (Z-shaped bumper guard brkt.)
73-74	Corvette	327625	1	29.95	bumper face, front
75	Corvette	347898	1	44.95	BAR ASSY., energy abs. front
75-76	Corvette	347930	1	49.95	REINFORCEMENT ASSY., front bpr. impact bar

7.831A BAR— BUMPER ASSY.— FILLER, Bumper Face Rear

58-60	Corvette	3736287	L.H.	97.00	bumper face
58-60	Corvette	3736288	R.H.	97.00	bumper face
63-67	Corvette	3797231	L.H.	61.75	bumper face
63-67	Corvette	3797232	R.H.	61.75	bumper face
68-73	Corvette	3922069	L.H.	50.45	BUMPER ASSY., rear
68-73	Corvette	3922070	R.H.	50.45	BUMPER ASSY., rear
74	Corvette	342263	L.H.	1.50	FILLER, rr. bpr. impact bar inner
74	Corvette	342264	R.H.	1.50	FILLER, rr. bpr. impact bar inner

7.832 COVER ASSY., Bumper Impact Bar

74	Corvette	339195	1	225.00	rr. bumper (Note 1)
75-76	Corvette	347897	1	225.00	rr. bumper (Note 1)

NOTE 1 (Urethane) paint as required.

7.833 BUMPER— COVER— FILLER— SEAL— SHIM, Bumper Sheet Metal

58-61	Corvette	3745361	A.R.	.11	used as front bumper face bar valance Assy. spacer (rubber— 1/2" dia.)— (7.800)
73-74	Corvette	6263597	1	79.95	COVER, front bumper face bar
75-76	Corvette	345495	1	79.95	COVER, energy abs. frt. bar
73-74	Corvette	331872	1	4.08	FILLER, front bumper face bar
58-60	Corvette	3739338	4	.74	SEAL, rear face bar brace to body
58-62	Corvette	3919772	2	1.35	SEAL, front inner brace body
68-72	Corvette	3947927	2	.27	SEAL, front bumper brace
73-76	Corvette	331842	2	.27	SEAL, front bumper brace
73-74	Corvette	331863	2	.53	SHIM, front bumper to frm. ext.
75	Corvette	347924	1	1.35	SHIM, rear bumper bar
75	Corvette	347935	1	1.35	SHIM, frt. bpr. ctr. (thin)
75	Corvette	347937	1	1.35	SHIM, frt. bpr. outer (thin)

7.836 BRACE— BRACKET— EXTENSION— MEMBER ASSY.— ROD— SUPPORT, Front Frame to Bumper Attaching (Also See Group 7.869)

58-62	Corvette	3739313	L.H.	3.50	frame to bumper, inner
58-62	Corvette	3739314	R.H.	3.50	frame to bumper, inner
58-62	Corvette	3739325	L.H.	6.50	frame to bumper, outer
58-62	Corvette	3739326	R.H.	4.37	frame to bumper, outer
58-62	Corvette	3750019	L.H.	3.10	frame to bumper, support to frame
58-62	Corvette	3750020	R.H.	2.75	frame to bumper, support to frame
63-64	Corvette	3848214	R.H.	4.50	frame to bumper, front, center
63-67	Corvette	3848219	L.H.	14.95	frame to bumper, front, inner
63-67	Corvette	3848220	R.H.	14.95	frame to bumper, front, inner
63-67	Corvette	3848217	L.H.	3.75	frame to bumper, front, outer
63-67	Corvette	3848218	R.H.	3.75	frame to bumper, front, outer
63-67	Corvette	3866405	L.H.	4.50	frame to bumper, bumper center
65-67	Corvette	3866406	R.H.	4.50	frame to bumper, bumper center

7.836 BRACE— BRACKET— EXTENSION— MEMBER ASSY.— ROD— SUPPORT, Front Frame to Bumper Attaching (Also See Group 7.869) (Con't)

68	Corvette	3914257	L.H.	4.05	frame to bumper, front, outer
68	Corvette	3914258	R.H.	4.05	frame to bumper, front, outer
69	Corvette	3958795	L.H.	5.75	BRACE ASSY., frt. bumper outer
69	Corvette	3958796	R.H.	5.75	BRACE ASSY., frt. bumper outer
70-72	Corvette	3964157	L.H.	5.95	BRACE ASSY., left, front outer
70-72	Corvette	3964158	R.H.	5.95	BRACE ASSY., right, front outer
68-72	Corvette	3980824	1	14.95	BRACE ASSY., center, front
73-74	Corvette	327663	L.H.	4.05	BRACE ASSY., frt. bumper outer
73-74	Corvette	327664	R.H.	4.05	BRACE ASSY., frt. bumper outer
75	Corvette	347891	L.H.	4.21	BRACE ASSY., energy abs. frt. bar outer
75	Corvette	347892	R.H.	4.21	BRACE ASSY., energy abs. frt. bar outer
73-74	Corvette	327644	2	11.25	BRACKET, front bumper inner
68-72	Corvette	3932845	L.H.	.65	EXTENSION, frt. cross member brkt.
68-72	Corvette	3932846	R.H.	1.00	EXTENSION, frt. cross member brkt.
70-72	Corvette	3964159	2	1.30	EXTENSION, front outer brace
73-74	Corvette	327661	2	1.30	EXTENSION, frt. bumper bar outer
68-72	Corvette	3958797	L.H.	4.75	EXTENSION ASSY., frt. bumper to frame
68-72	Corvette	3958798	R.H.	4.25	EXTENSION ASSY., frt. bumper to frame
73	Corvette	327626	1	89.75	EXTENSION ASSY., frt. bumper to frame
74-75	Corvette	342234	1	89.75	EXTENSION ASSY., energy abs. frt. bar to frame
75	Corvette	347931	1	4.80	EXTENSION, energy abs. front bar
68-72	Corvette	3954506	1	20.05	MEMBER ASSY., front bumper cross
73	Corvette	334797	L.H.	.87	ROD, front bumper ext. br.
73	Corvette	334798	R.H.	.87	ROD, front bumper ext. br.
53-57	Corvette	3724476	R.H.	5.70	SUPPORT, front
58-60	Corvette	3739331	L.H.	3.52	SUPPORT, guard bracket
58-60	Corvette	3739332	R.H.	3.52	SUPPORT, guard bracket
58-62	Corvette	3739375	L.H.	5.15	SUPPORT, brace
58-62	Corvette	3739376	R.H.	5.15	SUPPORT, brace

7.836A BRACE— ROD— REINFORCEMENT, Rear Frame to Bumper Attaching (Also See Group 7.869)

63-67	Corvette	3848221	L.H.	1.95	outer
63-67	Corvette	3848225	L.H.	1.23	inner, upper
63-67	Corvette	3797421	2	.53	inner, lower
63-67	Corvette	3848222	R.H.	1.23	outer
63-67	Corvette	3848223	L.H.	1.38	center
63-67	Corvette	3848224	R.H.	1.38	center
63-67	Corvette	3848226	R.H.	1.23	inner, upper
68-72	Corvette	3937057	L.H.	1.38	inner, rr.
68-72	Corvette	3937058	R.H.	2.05	inner, rr.
68-72	Corvette				inner, frt. left,
68-73	Corvette	3937055	2	1.50	inner, frt. left and right
68-73	Corvette	3932943	L.H.	2.03	rear outer
68-73	Corvette	3932944	R.H.	2.08	rear, outer
74-75	Corvette	342233	2	3.63	rr. bumper impact bar
73	Corvette	331865	2	1.23	BRACE ASSY., rr. bumper inner rear left and right
68-73	Corvette	331864	2	.41	ROD, rear bumper
72-73	Corvette	331867	L.H.	1.01	ROD, rear bumper outer
72-73	Corvette	331868	R.H.	1.01	ROD, rear bumper outer
74-75	Corvette	339125	2	6.00	REINFORCEMENT, rr. bumper impact bar

7.840 BAR UNIT— BOLT— INSULATOR— NUT— RETAINER— RIVET— SPACER, Front and Rear Bumper Shock

74	Corvette	338386	1	51.65	rr. bumper impact
75	Corvette	352703	1		rear bumper impact
74-75	Corvette	339141	4	2.03	BOLT, rr. bumper impact bar brkt.
75-76	Corvette	355342	2	1.15	BOLT, front bumper impact bar reinf.
74-75	Corvette	339118	1	9.90	BOLT UNIT, energy abs. frt. and rr.
74-75	Corvette	339169	2	1.05	INSULATOR, rr. bumper impact bar brkt.
74-75	Corvette	273365	A.R.	.11	RETAINER, frt. and rr. bumper impact bar cover
74-76	Corvette	342289	L.H.	1.75	RETAINER ASSY., rear bumper impact bar cover center (upper)
74-76	Corvette	342290	R.H.	1.75	RETAINER ASSY., rr. bumper impact bar cover center (upper)
74-76	Corvette	339123	L.H.	1.40	RETAINER ASSY., rr. bumper impact bar cover (outer)
74-76	Corvette	339124	R.H.	1.40	RETAINER ASSY., rr. bumper impact bar cover (outer)
75-76	Corvette	355325	1	2.70	RETAINER ASSY., energy abs. frt. bar cvr. lwr.

FRAME—SPRINGS—BUMPER

7.840 BAR UNIT— BOLT— INSULATOR— NUT— RETAINER— RIVET— SPACER, Front and Rear Bumper Shock (Con't)

74	Corvette	187992	8	.05	RIVET , rr. bumper impact bar cover reinf.
74-75	Corvette	339120	2	.53	SPACER , rr. bumper impact bar bracket
75-76	Corvette	347931	1	4.80	EXTENSION , energy abs. frt. bar

7.865 CUSHION— BUSHING— BUMPER— RETAINER— ROD— SHIM— WASHER, Bumper

58-62	Corvette	3748615	A.R.	.30	front, outer brace and rear side brace
75	Corvette	347908	1	79.95	front bumper energy absorber
72-73	Corvette	6263571	1	.65	BUSHING , rr. quarter panel
74-75	Corvette	336196	2	1.80	BUMPER , rr. bpr. impact bar
58-62	Corvette	3748616	A.R.	.15	RETAINER , front, outer brace and rear side brace
73-76	Corvette	331843	L.H.	1.25	RETAINER , front bumper face bar cover
73-76	Corvette	331844	R.H.	1.25	RETAINER , front bumper face bar cover
73-74	Corvette	331839	1	1.95	RETAINER ASSY. , front bumper face bar cover lower (8.155)
73-74	Corvette	331840	1	2.80	RETAINER ASSY. , front bumper face bar cover upper (8.155)
75-76	Corvette	347916	2	2.40	RETAINER ASSY. , rear bumper impact bar
74	Corvette	342235	2	2.20	ROD , energy abs. frt. bar extension brace
58-62	Corvette	3714962	A.R.	.10	SHIM , front and rear bmpr. brace
63-67	Corvette	3797482	8	.16	SHIM , rear, inner upper brace
73-74	Corvette	327659	1	.13	SHIM , front bpr. face bar (thin)
68-76	Corvette	1362249	A.R.	.19	WASHER , front and rear (1/2" I.D. x 1 1/4" O.D. x 1/8")
68-71	Corvette	6256884	2	.05	WASHER , frt. bumper guard brkt. (7/16" I.D. x 9/64" O.D. x 9/64" thk.)— (0.030)
69-71	Corvette	1347774	4	.12	WASHER , rr. face bar reinf., to bumper serr. tooth— (12.981)
75-76	Corvette	347932	3	1.10	WASHER , frt. bar impact bar reinf. 1/4 thick

7.869 BRACKET, Front and Rear Bumper

74	Corvette	339735	L.H.	2.97	energy abs. bolt unit
74	Corvette	339736	R.H.	2.97	energy abs. bolt unit
74	Corvette	342239	L.H.	23.40	rr. bumper impact bar
74	Corvette	342240	R.H.	23.40	rr. bumper impact bar
75-76	Corvette	345500	2	10.00	BRACKET ASSY. , rr. bumper impact bar inner
75-76	Corvette	347901	L.H.	7.20	BRACKET ASSY. , rear bumper impact bar, outer
75-76	Corvette	347902	R.H.	7.20	BRACKET ASSY. , rear bumper impact bar, outer

7.874 BOLT, Front or Rear Bumper Bar Mounting and Attaching

61-62	Corvette	3716509	R.H.	.40	front and rear, rad. grill and bpr. guard assy., rr. bumper and center face bar, rr. bumper outer face, front bumper outer face bar to bracket (st. steel 7/16"— 14 x 1 1/4")
68-72	Corvette	3926435	2	.17	front bumper frame extension (1/2"— 13 x 1)
75-76	Corvette	493001	10	.28	BOLT , rr. bpr. shock absorber brkt.

GROUP 8.000
SHEET METAL —
HEATER



SHEET METAL—HEATER

8.000 PANEL CONVERSION UNIT, Hood Top

53-57	Corvette	3726735	1	170.00	hood top, plastic laminate
58-62	Corvette	3786968	1	192.00	hood top, plastic laminate
63-67	Corvette (exc. 396, 427)	3857463	1	150.25	hood top (Note 1)
<i>NOTE 1 On 1963 Corvettes it may be necessary to rework the ornamental grille recess to install ornaments.</i>					
65-66	Corvette w/Sp. H/Per. (396, 427)	3874793	1	150.25	hood top (Note 2)
<i>NOTE 2 When using on some 1965 models, the hood support tapping plate must be relocated by transferring from left side of 1965 hood to right side of 1966 hood.</i>					
67	Corvette (427)	6263573	1	150.25	hood top
68-69	Corvette (427) (exc. H.D.),				
70-71	Corvette w/H/Per. (454),				
70-71	Corvette w/Sp. H/Per. (350, 454),				
72	Corvette w/Sp. H/Per. (350),				
72	Corvette (454)	3996864	1	175.00	hood top
68-69	Corvette w/H.D. (427)	3966873	1	294.25	hood top
68-69	Corvette (exc. 427),				
70-72	Corvette (350) (exc. Sp. H/Per.)	3996855	1	175.00	hood top (Note 3)
<i>NOTE 3: If a hood support is needed order part 3996865.</i>					
73-75	Corvette	327684	1	175.00	hood top

8.015 HINGE— BRACKET ASSY.— SHIM— SUPPORT, Hood Panel

58-62	Corvette	3740285	L.H.	6.95	hood panel
58-62	Corvette	3740286	R.H.	6.95	hood panel
63-67	Corvette	3797061	L.H.	6.95	hood panel
63-67	Corvette	3797062	R.H.	6.95	hood panel
68-75	Corvette	3912639	L.H.	2.95	hood panel
68-75	Corvette	3912640	R.H.	2.95	hood panel
63-67	Corvette	3797473	1	.50	BRACKET ASSY., hood support
58-62	Corvette	3739384	1	6.80	SUPPORT, hood
63-67	Corvette	3797079	1	6.50	SUPPORT, hood
68-71	Corvette	3936301	1	6.75	SUPPORT, hood
72-75	Corvette	3996865	1	6.75	SUPPORT ASSY., hood

8.015A MOULDING UNIT, Hood Top-Side, Front

68-72	Corvette (427, 454),				
70-72	Corvette w/Sp. H/Per. (350)	3929259	L.H.	6.40	left, hood panel
68-72	Corvette (427, 454),				
70-72	Corvette w/Sp. H/Per. (350)	3929260	R.H.	6.40	right, hood panel

8.016 SHIM, Hood Moulding and Hinge

63-74	Corvette	3966709	A.R.	.15	hood hinge (to front fender skirt) (1/16")
-------	----------	---------	------	-----	--

8.021 INSULATOR— PLATE ASSY.— RETAINER, Hood Panel

73-75	Corvette	6263599	1	6.15	
68-69	Corvette (exc. H.D. 427),				
73-74	Corvette	3958882	A.R.	.52	PLATE ASSY., insulator
68-69	Corvette (exc. H.D. 427),				
73-75	Corvette	3958883	A.R.	.18	RETAINER, insulator

8.024 BUMPER— SCREW, Hood

53-54	Corvette				hood panel to rad. grille,
53-57	Corvette				hood lock,
60-72	Corvette	3792828	2	.20	hood panel frt. (7/8" O.D. x 7/16")
53-74	Corvette	133063	2		SCREW, bumper (1/4"— 20 x 2)— (8.906)

8.055 EMBLEM— BEZEL— DECAL— GRILLE— LETTER UNIT— NUMERAL— ORNAMENT— PLATE— RETAINER— SEAL— SHIELD, Hood (Also See Group 1.303)

56-57	Corvette	3725754	1	6.50	hood
58-60	Corvette	3796462	1	6.50	hood
62	Corvette	3796355	1	3.85	hood
73-75	Corvette	336119	2	2.82	EMBLEM ASSY. (454)
56-57	Corvette	3725755	1	4.95	BEZEL, hood emblem
58-60	Corvette	3740239	1	4.95	BEZEL, hood
70-72	Corvette w/Sp. H/Per. (350)	3962692	2	.90	DECAL, hood panel (LT-1)
65-66	Corvette (396, 427)	3868763	L.H.	3.76	GRILLE, left hood panel, air inlet
65-66	Corvette (396, 427)	3868764	R.H.	3.76	GRILLE, right hood panel air inlet
67	Corvette (427)	3894551	1	9.95	GRILLE, hood panel
61-62	Corvette	3782700	1	5.05	LETTER UNIT, name (includes letters C-O-R-V-E-T-T-E and mtg. nuts)
67-72	Corvette (427, 454) (exc. H.D.)	3900325	2	.83	NUMERAL, hood panel (4)
67-69	Corvette (427)	3900326	2	.83	NUMERAL, hood panel (2)
67-69	Corvette (427)	3900327	2	.83	NUMERAL, hood panel (7)
70-72	Corvette (454) (exc. H.D.)	3963199	2	.88	NUMERAL, hood panel (5)

8.055 EMBLEM— BEZEL— DECAL— GRILLE— LETTER UNIT— NUMERAL— ORNAMENT— PLATE— RETAINER— SEAL— SHIELD, Hood (Also See Group 1.303) (Con't)

69	Corvette w/H.D. (427) (exc. alum. cyl. and case)	3963196	1	2.35	ORNAMENT, hood (L-88)
58-60	Corvette	3740240	1	4.75	PLATE, hood, emblem backing
66-67	Corvette	3873776	1	4.75	PLATE "CORVETTE", front, rear
65	Corvette Sp. H/Per. (396),				
66	Corvette (396, 427)	3872977	2	.15	RETAINER, hood panel air intake grille
58-60	Corvette	3753163	2	.45	SEAL, hood
65-66	Corvette (396, 427)	3878423	2	1.23	SHIELD, air inlet

8.075 CABLE ASSY.— GUIDE— NUT— PLUG, Hood Lock Release

58-62	Corvette	1990911	1	5.80	release w/handle
63-67	Corvette				hood lock release, R.H.
68	Corvette (2nd design),				
74-75	Corvette	3797115	1	1.43	folding top rear bow lock, compartment lid
63-66	Corvette (exc. C.A.C.)	3820887	L.H.	5.50	hood lock release
67	Corvette	3900251	L.H.	4.95	hood lock release
68-75	Corvette	3931649	1	6.20	hood lock release
68	Corvette (3rd design),				
69	Corvette (1st design)	3947959	1	2.98	hood lock activating
69-75	Corvette (2nd design)	3966626	1	4.00	hood lock actuator
68-71	Corvette	4744981	1	.11	PLUG, cable— (2.688)

8.077 GUIDE— GROMMET, Hood Catch Cod Tube

53-59	Corvette				rod stop,
58-74	Corvette	3796374	A.R.	.16	lock release cable— (3.431)
63-67	Corvette	3839173	1	.10	GROMMET, release cable (in dash panel)
68-75	Corvette	3931650	1	.26	GROMMET, hood lock release cable

8.080 PLATE ASSY.— CATCH— PIN— REINFORCEMENT, Hood Lock— Lower

68-75	Corvette	3976456	1	1.35	hood lock bolt and bumper mtg. brkt. tapping
53-57	Corvette	3706666	2	4.70	CATCH (Note 1)
<i>NOTE 1 When using as LH cut the hood catch release bracket flush w/the hood lockcatch, also drill 1/8" hole thru the hood lock catch.</i>					
58-59	Corvette	3753469	2	.92	CATCH (Note 2)
<i>NOTE 2 Requires 3754504 lock for early jobs.</i>					
60-62	Corvette	3767850	R.H.	3.95	CATCH ASSY., R.H.
63-67	Corvette	3841437	1	3.75	CATCH ASSY., R.H. and L.H. hood lock
68-75	Corvette	3947963	2	.17	PIN, hood lock catch clevis
68-75	Corvette	3914320	1	.99	REINFORCEMENT, hood lock catch

8.083 LOCK ASSY.— PLATE ASSY., Hood Lock— Upper

58-59	Corvette	3754504	2	4.55	hood (Note 1)
<i>NOTE 1. Requires 3753469 catch for early jobs.</i>					
60-62	Corvette	3767843	2	4.75	hood
58-62	Corvette	3752620	2	.76	PLATE ASSY., mounting, front anchor
58-62	Corvette	3767841	2	.95	PLATE ASSY., mounting rear anchor
68-69	Corvette (1st design)	3948142	R.H.	2.35	PLATE ASSY., lock catch
68-75	Corvette	3966627	L.H.	2.66	PLATE ASSY., lock catch
69-75	Corvette (2nd design)	3966628	R.H.	2.61	PLATE ASSY., lock catch

8.085 SPRING— BOLT— BRACKET ASSY.— PIN— RETAINER— SEAT, Hood Upper Lock Plate

58-68	Corvette	3767812	A.R.	.46	lock bolt (3 3/8" lg.— 6 3/4" coils)
68-75	Corvette	3918597	2	.30	lock release bolt
63-69	Corvette	3841439	A.R.	.56	lock catch
68-75	Corvette	3930191	1	2.25	lock release arm return
61-67	Corvette	3782560	1	.65	BOLT (1/2"— 20 x 3 3/4" O.L. w/cone point)
68-69	Corvette	3915814	2	.87	BOLT (1/2"— 20 x 2 11/64" O.L.)
69-75	Corvette	3966625	2	.94	BOLT, hood lock release (2 1/2" O.L.)
68-75	Corvette	3930181	1	2.60	BRACKET ASSY., lock release and bolt mtg.
68-75	Corvette	3966624	1	4.40	BRACKET ASSY., lock bolt and bumper mtg.
58-69	Corvette	3767813	1	.46	RETAINER, bolt spring
69-75	Corvette	3966623	2	.54	RETAINER, lock release
60-75	Corvette	3767846	A.R.	.39	SEAT, hood lock spring

8.130 PANEL, Front

NOTE 1 Includes lwr. panel 3738763-4.

58-61	Corvette	3787735	L.H.	40.95	underbody door rocker section repair
58-61	Corvette	3787736	R.H.	40.95	underbody door rocker section repair
58-61	Corvette	3787733	L.H.	158.75	body topside repair (Note 2)
58-61	Corvette	3787734	R.H.	158.75	body topside repair (Note 2)

SHEET METAL—HEATER

8.130 PANEL, Front (Con't)

62	Corvette	3824567	L.H.	152.75	frt. body topside repair (Note 2)
62	Corvette	3824568	R.H.	152.75	frt. body topside repair (Note 2)
<i>NOTE 2 Includes lower door rocker section.</i>					
62	Corvette	3824565	L.H.	62.75	underbody door rocker section repair
63-67	Corvette	3831929	L.H.	27.45	lower front (Note 3)
63-67	Corvette	3831930	R.H.	27.45	lower front (Note 3)
<i>NOTE 3 It may be necessary to remove lvr. inside tab for attaching grille and boss on inside upper corner when installing on 1965 models.</i>					
63-67	Corvette	3846460	1	54.70	upper rear
63-64	Corvette	3833357	L.H.	37.75	lower rear
63-64	Corvette	3833358	R.H.	37.75	lower rear
63-66	Corvette	3864695	1	54.55	upper front repair
63-67	Corvette	3848067	L.H.	91.85	upper
63-67	Corvette	3848068	R.H.	91.85	upper
65-66	Corvette	3857525	L.H.	28.90	lower rear
65-66	Corvette	3857526	R.H.	28.90	lower rear
67	Corvette	3897403	L.H.	27.65	lower rear
67	Corvette	3897404	R.H.	27.65	lower rear
67	Corvette	3897450	1	89.30	upper
67	Corvette	3904969	1	65.50	upper front repair
68-69	Corvette	3963181	L.H.	58.50	lower
68-69	Corvette	3963182	R.H.	58.50	lower
68	Corvette	3936335	L.H.	41.00	fender upper repair
70-72	Corvette	3977865	L.H.	67.75	frt. fender lower
70-72	Corvette	3977866	R.H.	67.75	frt. fender lower
73-76	Corvette	342229	L.H.	50.50	front fender lower
73-76	Corvette	327654	R.H.	50.50	front fender lower
73-75	Corvette	6259431	L.H.	39.80	front upper (repair)
73-75	Corvette	6259432	R.H.	39.80	front upper (repair)
73-75	Corvette	6259434	1	54.60	front fender upper rear (repair)
<i>NOTE 4: For use with 3995076.</i>					
68-72	Corvette	3995076	1	245.00	PANEL ASSY., frt. fender upper
73-74	Corvette	6259655	1	102.00	PANEL ASSY., front fender upper front repair (Note 5)
73-74	Corvette	327655	1	159.00	PANEL ASSY., front fender upper
<i>NOTE 5: Contains; panel, reinforcements, shims, rivet, cement.</i>					
75	Corvette	358814	1	159.00	PANEL ASSY., front fender upper front (repair)
75-76	Corvette	345496	1	165.48	PANEL ASSY., front fender upper

8.131 EXTENSION, Front Fender

61-62	Corvette	3779240	1	2.17	on headlamp assy.
68-72	Corvette	3927663	L.H.	1.44	upr. panel frt. reinf.
68-72	Corvette	3927664	R.H.	1.44	upr. panel frt. reinf.

8.132 MOULDING— PLATE, Front Fender (See Group 8.147 for Front Fender Mouldings which include Series Designations)

56-57	Corvette	3730107	L.H.	5.80	rear upper (st. steel)
56-57	Corvette	3730108	R.H.	5.80	rear upper (st. steel)
56-61	Corvette	3733571	L.H.	4.75	rear lower (st. steel)
56-61	Corvette	3733572	R.H.	4.75	rear lower (st. steel)
58-61	Corvette	3736275	L.H.	4.59	side upper
58-61	Corvette	3736276	R.H.	4.59	side upper
58-61	Corvette	3744867	L.H.	3.17	frt. fender, upper horizontal (chrome)
58-61	Corvette	3744868	R.H.	3.17	frt. fender, upper horizontal (chrome)
58-61	Corvette	3744869	L.H.	3.17	frt. fender, center horizontal (chrome)
58-61	Corvette	3744870	R.H.	3.17	frt. fender, center horizontal (chrome)
58-61	Corvette	3744871	L.H.	3.17	frt. fender, lower horizontal (chrome)
58-61	Corvette	3744872	R.H.	3.17	frt. fender, lower horizontal (chrome)
58-62	Corvette	3740215	2	12.90	upper (crown)
58-61	Corvette	3743414	4	.10	PLATE, rocker pnl. upper and ctr. mldg. sealing
58-61	Corvette	3747070	2	.10	PLATE, rocker pnl. lower mldg. sealing

8.133 BOLT— RETAINER— STUD, Front Fender Moulding

56-61	Corvette	3730104	A.R.	.17	fender mldg. upper and lower
56-61	Corvette	3730268	A.R.	.20	RETAINER, rear upper and lower mldg.
58-59	Corvette	3740294	4	.15	RETAINER, side mldg.

8.141 SUPPORT— BONDING STRIP— BRACKET— REINFORCEMENT— ROD, Front Fender

73-75	Corvette	331827	1	.90	front fender upper panel
56-61	Corvette	3740227	L.H.	8.60	BONDING STRIP, to body frt. bottom rocker panel (plastic laminate)

SHEET METAL—HEATER

**8.141 SUPPORT— BONDING STRIP— BRACKET— REINFORCEMENT— ROD,
Front Fender (Con't)**

56-61	Corvette	3740228	R.H.	8.60	BONDING STRIP, to body frt. bottom rocker panel (plastic laminate)
58-61	Corvette	3744119	L.H.	11.25	BONDING STRIP, to body frt. bottom pnl. outer (plastic laminate)
58-62	Corvette	3744121	L.H.	8.80	BONDING STRIP, bottom pnl. to frt. fender skirt (plastic laminate)
58-62	Corvette	3744122	R.H.	10.00	BONDING STRIP, bottom pnl. to frt. fender skirt (plastic laminate)
58-62	Corvette	3744572	1	4.90	BONDING STRIP, headlamp housing (plastic laminate)
58-62	Corvette	3780983	L.H.	4.40	BONDING STRIP, to front fender skirt (plastic laminate)
58-62	Corvette	3780984	R.H.	4.40	BONDING STRIP, to front fender skirt (plastic laminate)
58-62	Corvette	3780986	R.H.	4.36	BONDING STRIP, to body front bottom panel inner (plastic laminate)
58-62	Corvette	3780985	L.H.	4.36	BONDING STRIP, to body front bottom panel inner (plastic laminate)
63-67	Corvette	3797477	L.H.	2.27	BONDING STRIP, fender, lower front to grille panel
63-67	Corvette	3797478	R.H.	2.27	BONDING STRIP, fender lower front to radiator grille lower panel
63-67	Corvette	3797479	L.H.	3.92	BONDING STRIP, fender lower to front fender lower rear
63-67	Corvette	3797480	R.H.	3.92	BONDING STRIP, fender lower to front fender lower rear
63-67	Corvette	3849214	R.H.	13.50	BONDING STRIP, front fender upper to front fender lower
63-67	Corvette	3849213	L.H.	13.50	BONDING STRIP, front fender upper to front fender lower
63-67	Corvette	3842057	L.H.	6.95	BONDING STRIP, windshield lower outer to front fender upper
63-67	Corvette	3842058	R.H.	7.25	BONDING STRIP, windshield lower outer to front fender upper
68-72	Corvette	3976465	L.H.	2.80	BONDING STRIP, lower to rad. grille lwr. panel
68-72	Corvette	3976466	R.H.	2.80	BONDING STRIP, lower to rad. grille lwr. panel (Note 2)
					<i>NOTE 2 When using 3976466 in place of 3918508, rework upr. frt. flange as reqd.</i>
68-72	Corvette	3996841	L.H.	13.50	BONDING STRIP, frt. fdr. upper to frt. fdr. lower
68-72	Corvette	3996842	R.H.	13.50	BONDING STRIP, fender upper to fdr. lower
73-76	Corvette	331807	L.H.	10.45	BONDING STRIP, fender upper to fdr. lower
73-76	Corvette	331808	R.H.	10.45	BONDING STRIP, fender upper to fdr. lower
88	Corvette	3926338	1	.52	BRACKET, upper panel reinf.
58-62	Corvette	3742554	R.H.	9.95	REINFORCEMENT (plastic laminate) (Note 1)

NOTE 1 On 1962 Models, cut as required.

68-71	Corvette	3941911	L.H.	2.95	REINFORCEMENT, upper panel opening outboard left
68-71	Corvette	3941912	R.H.	2.95	REINFORCEMENT, upper panel opening outboard right
68-71	Corvette	3941913	L.H.	2.95	REINFORCEMENT, upper panel opening inboard left
68-71	Corvette	3941914	R.H.	2.95	REINFORCEMENT, upper panel opening inboard right
73-76	Corvette	331853	L.H.	1.70	REINFORCEMENT ASSY., front fender lower, front lower
73-76	Corvette	331854	R.H.	1.70	REINFORCEMENT ASSY., front fender lower, front lower
68	Corvette	3938060	1	1.20	ROD, rad. supt. to fender upper

8.143 SCREW— WASHER, Front Fender and Skirt

53-69	Corvette	3650059	20	.10	(No. 14— 10) x 3/4"
65-73	Corvette	3704579	A.R.	.12	WASHER, skirt (9/32" I.D. x 1 1/8" O.D. x 3/64" thick) (steel)

8.147 PLATE— EMBLEM— LOUVER— NUT— ORNAMENT— RETAINER— REINFORCEMENT— SCREW ASSY.— WASHER, Front Fender (Also see Group 17.507)

57	Corvette w/F.I.	3742212	2	1.86	(fuel injection)
----	-----------------	---------	---	------	------------------

8.147 PLATE— EMBLEM— LOUVER— NUT— ORNAMENT— RETAINER— REINFORCEMENT— SCREW ASSY.— WASHER, Front Fender (Also see Group 17.507) (Con't)

58-61	Corvette	3748457	2	2.21	(fuel injection)
61	Corvette	3779671	2	3.65	(Corvette)
65	Corvette w/F.I.	3857572	2	3.29	(fuel injection)
53-55	Corvette	3759599	2	2.70	PLATE UNIT (Chevrolet)
57	Corvette w/F.I.	3767507	1	2.24	EMBLEM (crossed flags)
62-63	Corvette (8 cyl.) (exc. 283)	3792000	2	1.55	EMBLEM (crossed flags)
63-66	Corvette	3872930	2	2.28	EMBLEM (V-crossed flags)
66-67	Corvette (427)	3878425	2	2.97	EMBLEM (427)
69-76	Corvette	3956216	2	2.83	EMBLEM, side (Stingray)
65	Corvette (396)	3872997	2	3.50	EMBLEM UNIT, side (396)
69	Corvette	3945247	L.H.	4.03	LOUVER fender
69	Corvette	3946248	R.H.	4.03	LOUVER fender
70-72	Corvette	3995017	L.H.	41.80	LOUVER, frt. fender
70-72	Corvette	3995018	R.H.	41.80	LOUVER, frt. fender
53-69	Corvette	9419761	A.R.	.10	NUT, frt. fender name plate frt. fender ornament (type M— ¹ / ₈ " hole)— (8.921)
69	Corvette	3945656	16	.31	NUT, front fender louver, (black rubber)
61	Corvette	3779673	L.H.	1.29	ORNAMENT, upper
61	Corvette	3779674	R.H.	1.36	ORNAMENT, upper
61	Corvette	3779675	L.H.	1.29	ORNAMENT, lower
70-72	Corvette	3976459	2	.39	RETAINER, front fender louver midg.
70-72	Corvette	3963168	2	1.50	REINFORCEMENT, front fender louver
70-72	Corvette	3966552	4	.10	SCREW ASSY., front fender louver (10-16 x ⁷ / ₈ ")
61	Corvette	3662988	A.R.		WASHER, side mldg. (⁹ / ₃₂ ")

8.153 SKIRT— EXTENSION— FILLER— PLATE, Front Fender

58-62	Corvette	3739371	L.H.	57.60	front fender
58-62	Corvette	3762690	R.H.	57.60	front fender (laminated plastic)
63-67	Corvette	3886893	L.H.	48.35	front fender
63-67	Corvette	3908198	R.H.	48.35	front fender
68-73	Corvette	331857	L.H.	37.60	front fender (Note 1, 2)
<i>NOTE 1: On 1968 models it will be necessary to also use one reinforcement 3953051 in Group 8.155.</i>					
<i>NOTE 2: When using on models prior to 1973, rework front lower corner as reqd.</i>					
68-73	Corvette	331858	R.H.	37.60	front fender
74	Corvette	339103	L.H.	37.15	front fender
74-76	Corvette	339104	R.H.	37.15	front fender
75-76	Corvette	355341	L.H.	34.50	front fender
68-74	Corvette	3965781	L.H.	79.95	EXTENSION, frt. fender (Note 3)
68-74	Corvette	3965782	R.H.	79.95	EXTENSION, frt. fender (Note 3)
<i>NOTE 3: Heavy duty off highway use.</i>					
69-72	Corvette w/H.D. Brake	3958681	L.H.	57.45	EXTENSION, frt. fender
69-72	Corvette w/H.D. Brake	3958682	R.H.	57.45	EXTENSION, frt. fender
69-72	Corvette w/H.D. Brake	3958683	L.H.	69.00	EXTENSION, rr. fender
69-72	Corvette w/H.D. Brake	3958684	R.H.	69.00	EXTENSION, rr. fender
70-73	Corvette	3976443	L.H.	2.35	EXTENSION, frt. fender skirt
70-73	Corvette	3976444	R.H.	2.35	EXTENSION, frt. fender skirt
65	Corvette (396)	3833397	L.H.	14.25	FILLER, front fender skirt

8.154 SEAL— CLIP— SHIELD, Front Fender and Skirt

53-74	Corvette	3996620	A.R.	RL/.26	(⁹ / ₁₆ " x ³ / ₄ " x 10 ft.)
63-67	Corvette	3826512	4	.21	fender skirt to frame front and rear
68-69	Corvette	9792217	18	.12	CLIP
63-67	Corvette	3797275	L.H.	4.07	SHIELD, skirt splash (steel)
63-67	Corvette	3797276	R.H.	4.07	SHIELD, skirt splash (steel)
63-67	Corvette	3908199	2	1.23	SHIELD, front fender skirt dust
68-69	Corvette	3914339	L.H.	3.20	SHIELD, skirt splash
68-76	Corvette	3914340	R.H.	3.20	SHIELD, skirt splash
68-76	Corvette	3947933	L.H.	1.38	SHIELD, fender dust (Note 2)
68-76	Corvette	3947934	R.H.	1.38	SHIELD, fender dust (Note 2)
<i>NOTE 2: When using in place of 3914342 add holes in fender skirt.</i>					
70-76	Corvette	3974017	L.H.	3.68	SHIELD ASSY., skirt splash

8.155 EXTENSION— RETAINER ASSY.— REINFORCEMENT, Front Fender Skirt

73-75	Corvette	331877	L.H.	1.10	front fender upper panel front reinf.
73-75	Corvette	331878	R.H.	1.10	front fender upper panel front reinf.
73-75	Corvette	331840	1	2.80	RETAINER ASSY., front bumper face bar cover lower
73-74	Corvette	331839	1	1.95	RETAINER ASSY., front bumper face bar cover upper
75	Corvette	347919	1	5.15	RETAINER ASSY., front bumper face bar cover upper

SHEET METAL—HEATER

8.155 EXTENSION— RETAINER ASSY.— REINFORCEMENT, Front Fender Skirt (Con't)

73-74	Corvette	331831 L.H.	2.25	REINFORCEMENT, front fender lower front upper
73-74	Corvette	331832 R.H.	2.25	REINFORCEMENT, front fender lower front upper
63-67	Corvette	3797423 L.H.	.76	REINFORCEMENT, skirt
63-67	Corvette	3797424 R.H.	1.05	REINFORCEMENT, skirt
68	Corvette	3927649 L.H.	2.05	REINFORCEMENT, skirt
68-73	Corvette	3958808 R.H.		REINFORCEMENT, skirt
74-75	Corvette	339138 R.H.	.25	REINFORCEMENT, skirt
69-75	Corvette	3953051 L.H.	2.25	REINFORCEMENT, skirt
69-75	Corvette	3954523 L.H.	.97	REINFORCEMENT, skirt front fender to front fender panel
69-75	Corvette	3954524 R.H.	.97	REINFORCEMENT, skirt front fender to front fender panel
75	Corvette	347895 L.H.	2.35	REINFORCEMENT, frt. fdr. lwr. frt., upper
75	Corvette	347896 R.H.	2.35	REINFORCEMENT, frt. fdr. lwr. frt., upper

8.304 MOULDING, Body Sill

65	Corvette (exc. side mtg., exh)	3859798	1	23.00	left or right
68-69	Corvette (exc. side mtd. exhaust)	3936367	L.H.	12.85	lower
68-69	Corvette (exc. side mtd. exhaust)	3936368	R.H.	13.55	lower
62	Corvette	3820541	L.H.	22.95	MOULDING UNIT, (painted)
62	Corvette	3820542	R.H.	22.95	MOULDING UNIT, (painted)
63	Corvette	3834713	A.R.	25.25	MOULDING UNIT, left or right
64	Corvette	3849594	A.R.	28.10	MOULDING UNIT, left or right
65-67	Corvette w/side mtd. exhaust	3933846	A.R.	22.95	MOULDING UNIT, body sill
66	Corvette (exc. side mounted exhaust)	3933847	2	22.00	MOULDING UNIT, left or right
67	Corvette (exc. side mounted exhaust)	3933848	2	26.00	MOULDING UNIT, left or right
68-69	Corvette	3933893	L.H.	15.45	MOULDING UNIT, upper
68-69	Corvette	3933894	R.H.	15.45	MOULDING UNIT, upper
70-74	Corvette	3977623	L.H.	21.40	MOULDING UNIT, body sill
70-74	Corvette	3977624	R.H.	21.40	MOULDING UNIT, body sill

8.309 BRACKET— NUT— REINFORCEMENT— RETAINER— SCREW, Body Sill Moulding

63-67	Corvette (exc. exhaust)	3821840	10	.26	moulding (rear)
63-67	Corvette	3833355	L.H.	.23	front to fender
63-67	Corvette (exc. side exh.)	3833356	R.H.	.17	front to fender
63-67	Corvette	3842929	A.R.	.23	NUT, moulding (No. 10— 12)
62	Corvette	3886638	4	.17	RETAINER, sill moulding
63-67	Corvette	3844179	2	.96	RETAINER ASSY., moulding
70-75	Corvette	3966677	12	.10	SCREW, body sill mldg.

8.820 JACK— BOOT— HANDLE— SPRING, Auto

53-75	Corvette	3958710	1	20.05	scissor type (Note 1)
<i>NOTE 1 When using in place of 3706350-3813730 or 3825993 use 1/3963108 spring assy.</i>					
65-75	Corvette	3872965	1	.10	BOOT (jack handle hold down)
53-62	Corvette	592769	1		HANDLE (folding type) (53 extended) (Note 2 & 3)

NOTE 2 May be necessary to rework on Corvette models as follows. Bend to right angle approximately 4 from tang end. Cut off to 3/8 extension (bent portion of 1/16" dia. rod).

NOTE 3: Not to be used with Jack Assy. 3958710.

63-75	Corvette	3963108	1	.58	SPRING ASSY., jack stowage
-------	----------	---------	---	-----	----------------------------

8.821 WRENCH— FLAG— FLARE— HAMMER ASSY., Wheel and Tire, Emergency Equipment

63-75	Corvette	3898172	1	2.35	jack and wheel
53-73	Corvette	3891443	1	.77	FLAG (distress)
53-73	Corvette	3891442	1	1.23	FLARE ASSY. (distress)
63-66	Corvette w/knock off wheels	3859067	1	9.20	HAMMER ASSY.

8.845 HEATER INSTALLATION UNIT— BRACKET— INSULATOR— PLATE— SEAL— WARMER UNIT, Hot Water

63-67	Corvette	3895964	1	108.50	(Note 1)
<i>NOTE 1 When installing on past model Corvettes the following appearance items must be used. 1965 one (1) each of Knobs 3863253 and 3863255 and two (2) Bezels 3846960. 1963-64 one (1) each knobs 3831678 and 3783381, one (1) each Plates 3846961 and 3846962 and two (2) Bezel 3846960.</i>					
68-69	Corvette	3918535	2	.15	BRACKET, heater and defroster
68-74	Corvette	3840474	2	1.21	BRACKET ASSY., heater and defroster— (8.857)
63-67	Corvette	3830770	1	2.35	INSULATOR, heater hole
58-62	Corvette	3740281	1	6.35	PLATE, car heater name (Note 2)

8.845 HEATER INSTALLATION UNIT— BRACKET— INSULATOR— PLATE— SEAL— WARMER UNIT, Hot Water (Con't)

NOTE 2 This plate includes outlet for clock face, defroster, temperature, and air knobs.

63-67	Corvette	3825301	A.R.	.95	SEAL, heater air inlet to dash
68-75	Corvette	3909099	1	.61	SEAL, heat core pipe
71-74	Corvette	992384	1	22.50	WARMER UNIT, car interior

8.846 HOSE— BRACKET— CLIP, Heater (See Group 1.166 for Clamps)

53-69	Corvette	482434	A.R.	RL/.56	(⁵ / ₈ " O.D.) (approx. 50 ft. roll)— (8.962)
58-62	Corvette	3134837	1	.90	(molded "L" shape)
63-67	Corvette	3794094	1	1.07	(molded "L" shape) (use w/Air Flow thermostat by-pass)
69-72	Corvette (427, 454)	3955958	1	1.11	car heater to inlet manifold
68-75	Corvette (exc. C.A.C.)	3914532	1	.10	BRACKET, heater hose clip
74	Corvette	3825416	2	.46	CLIP, heater hose

8.849 CONTROL ASSY., Heater

58-62	Corvette	3140543	1	15.45	heater switch and defroster
68	Corvette (exc. C.A.C.)	3937176	1	26.50	heater
68	Corvette w/C.A.C.	3937178	1	32.25	heater— (9.273)
69-71	Corvette (exc. C.A.C.)	3942627	1	35.00	heater
72-75	Corvette (exc. C.A.C.)	6262641	1	35.00	heater
69-75	Corvette w/C.A.C.	6262642	1	36.35	heater— (9.273)

8.850 VALVE ASSY.— ACTUATOR ASSY.— HOSE ASSY., Heater Vacuum Actuating

68	Corvette w/C.A.C.	7302836	1	4.82	htr. and A/C defrost vac.
69-72	Corvette (exc. C.A.C.)	7309780	1	5.40	heater control defr. and air
69	Corvette w/C.A.C.	7302835	1	4.82	heater and A.C. air door vacuum
69-72	Corvette (exc. C.A.C.)	7309781	1	3.68	rear vent plenum door
75	Corvette (exc. C.A.C.)	7309781	1	3.68	rear vent plenum door
69-71	Corvette w/C.A.C.	1998999	1	5.45	ACTUATOR ASSY., htr. dist. vac.— (9.280)
69-70	Corvette (exc. C.A.C.)	3963748	1	5.30	HOSE ASSY., control
71-75	Corvette (exc. C.A.C.)	354803	1	5.50	HOSE ASSY., car heater vac. control

8.852 SWITCH ASSY.— BEZEL— BUSHING— DEFLECTOR— HARNESS— HOUSING— KNOB— PLATE— ROLLER, Heater

NOTE See group 9.786 for vacuum valve details and part numbers.

63-64	Corvette (exc. C.A.C.)				
65-67	Corvette	3864600	1	6.00	w/cable blower temp. control
68-69	Corvette w/C.A.C.	3870286	1	1.55	heater and C.A.C. blower low (push button type w/2 term.)
68-75	Corvette (exc. C.A.C.)	3909028	1	3.34	heater blower
68	Corvette w/C.A.C.	3919595	1	2.63	heater and C.A.C. blower low (push button w/4 term.)
69-75	Corvette w/C.A.C.	3942657	1	2.87	heater and C.A.C. blower (4 terminal)
69-75	Corvette w/C.A.C.	7310365	1	4.61	heater and C.A.C. comp.
69-75	Corvette w/C.A.C.	7310366	1	4.61	heater and C.A.C. low blower
64-66	Corvette (exc. C.A.C.)				BEZEL, blower switch, temp., defroster and heat control cable,
66-67	Corvette	3875812	A.R.	.60	heater control cables
69	Corvette (exc. C.A.C.)	3937180	1	5.70	BEZEL, heater control cables
64-65	Corvette (Spt. Cpe.)	3843466	1	.15	BUSHING, control switch lever
64-67	Corvette	3860505	1	.59	DEFLECTOR, control indicator lamp
75	Corvette (exc. C.A.C.)	8908491	1	13.00	HARNESS, heater wiring
68-75	Corvette w/C.A.C.	3942118	1	.90	HOUSING, heater control
68-75	Corvette (exc. C.A.C.)	3958739	1	4.16	HOUSING ASSY., htr. control (chrome levers-approx. 1 ¹ / ₁₆ " from cable conn.)
69	Corvette w/C.A.C.	3899700	1	1.01	KNOB, defr., temp., air div. valve
67	Corvette	3899701	1	1.70	KNOB, blower, temp., air inlet
63	Corvette (1st design)	3783381	1	.54	KNOB ASSY., blower and temp. control— (9.787)
63-64	Corvette (2nd design) (exc. C.A.C.)	3831678	1	.90	KNOB ASSY., blower and temp. control
66	Corvette	3875808	1	1.38	KNOB ASSY., blower switch and temp. control
66	Corvette	3875810	1	1.15	KNOB ASSY., defr. and heat control
65-67	Corvette w/C.A.C.	3864018	1	2.46	PLATE, air diverter valve control name air cond. pull
65-67	Corvette w/C.A.C.	3864020	1	2.46	PLATE, temp. control name
63-67	Corvette (exc. C.A.C.)	3150822	1	.11	ROLLER, heater cam

8.854 CORE— CASE— CLAMP— COVER— SEAL— SHROUD, Heater

63-67	Corvette (exc. C.A.C.)	3008574	1	33.55	w/fittings
68-75	Corvette (exc. C.A.C.)	3014900	1	43.00	w/fittings, heater
68-75	Corvette w/C.A.C.	3015145	1	55.40	w/fittings

SHEET METAL—HEATER

8.854 CORE— CASE— CLAMP— COVER— SEAL— SHROUD, Heater (Con't)

NOTE 1 On models prior to 65 it may be necessary to use with assembly 3859356.

69	Corvette (exc. C.A.C.)	3018741	1	67.35	CASE , w/valves
69-70	Corvette w/C.A.C.	3023580	1	58.65	CASE , front plate baffle valve and brkt.
70-74	Corvette (exc. C.A.C.)	3023585	1	66.15	CASE , w/valves
71-72	Corvette w/C.A.C.	3023978	1	58.65	CASE , front plate baffle valve and brkt.
75	Corvette (exc. C.A.C.)	3031625	1	68.80	CASE , w/valves
64-65	Corvette w/C.A.C.	3143486	2	.80	CLAMP , core
68-75	Corvette (exc. C.A.C.)	3004671	1	.28	CLAMP , heater core mtg. tank head
68-75	Corvette (exc. C.A.C.)	3004672	1	.21	CLAMP , heater core mtg.
68-75	Corvette w/C.A.C.	3015196	1	1.02	CLAMP , core pipes
68-70	Corvette w/C.A.C.	3021665	1	.90	CLAMP , htr. core mtg. in-out tank
68-73	Corvette w/C.A.C.	3156915	1	.49	CLAMP , core mtg.
68-75	Corvette w/C.A.C.	3015197	1	2.49	COVER , core pipes to housing
68-75	Corvette w/C.A.C.	3015210	1	.24	SEAL , core pipes to housing
63-67	Corvette	3156908	1	4.02	SHROUD , core

8.855 MOTOR— CLIP— RESISTOR ASSY., Heater and Evaporator

57-62	Corvette	5044402	1	23.10	(studs— 2 ⁹ / ₁₆ " ctr.) (stamped 5044402)
63-75	Corvette w/C.A.C.	4960538	1	31.80	
64-75	Corvette (exc. C.A.C.)	4960505	1	22.85	MOTOR UNIT , heater
62-75	Corvette	3929052	1	1.14	RESISTOR ASSY. , heater

8.857 FAN— BRACKET— CASE ASSY.— GASKET— NUT— PLATE— VALVE ASSY., Heater

57-62	Corvette	3141370	1		(turbine type)
63-71	Corvette	3905776	1	4.34	
72-75	Corvette	3027031	1	5.95	
63-68	Corvette				BRACKET , heater, defroster, blower mounting,
69-72	Corvette w/C.A.C.	3840474	A.R.	1.21	rcvr. dehyd.
63-67	Corvette (exc. C.A.C.)	3156853	1	22.25	CASE ASSY. , blower, w/plate
68-75	Corvette	3014358	1	14.65	CASE ASSY. , blower
63-67	Corvette	3143552	1	.80	GASKET , blower case
53-63	Corvette (exc. C.A.C.)	3130055	1	.16	NUT , retaining (use fans w/o set screws)
64-75	Corvette	3130804	1	.10	NUT , retaining (No. 10-32)
68-75	Corvette w/C.A.C.	3918537	2	.26	PLATE , air sel. duct mtg.

8.866 NIPPLE— BRACKET— RETAINER, Heater

55-64	Corvette	331968	1	.70	heater to therm. housing hose, heater to inlet manifold (1 ¹ / ₂ "— 14 x 1 ¹ / ₂ ")
64-73	Corvette w/C.A.C. w/ ⁵ / ₈ " hose	3849848	1	.70	water pump hose (2 ²⁵ / ₃₂ " O.L.)

8.873 COMPASS UNIT, Auto

70-73	Corvette	993915	1		
--------------	----------	---------------	---	--	--

GROUP 9.000
BODY MOUNTING
AIR CONDITIONING



BODY MTG.—AIR COND.—INSTRUMENTS

9.023 SHIM—CUSHION—INSULATOR—SPACER, Body Mounting					
53-55	Corvette				No. 1 thru No. 6
57-61	Corvette				No. 1 & 2
62	Corvette	3751562 A.R.	.22		No. 1, 2, 3 (rubber)
53-73	Corvette	366981 A.R.	.12		steel (3 x 1 1/2" x 1/16"—one 5/8" x 1" hole ctrd.-one 7/8" wide slot in one end)
64-67	Corvette				CUSHION , No. 3, 4
64-67	Corvette (Spt. Cpe.)	3842914 A.R.	.17		No. 1 (1 5/8" O.D. x 1/2" thk.)
64-67	Corvette				CUSHION ASSY. , No. 3, 4
64-67	Corvette (Spt. Cpe.)	3842913 A.R.	.64		No. 1 (w/spacer)
70-76	Corvette	3788637	1	.88	CUSHION ASSY. , diff. carr. frt. mtg. upr.
70-76	Corvette	3795333	1	1.10	CUSHION ASSY. , diff. carr. frt. mtg. lwr.
73-76	Corvette (Cpe.)				CUSHION UNIT , body bolt
73-76	Corvette (Conv.)	334756	4	1.90	#1 and #4 body bolt
73-76	Corvette (Conv.)	334755	4	1.90	CUSHION UNIT , #2 and #3 body bolt
73-76	Corvette	334764	2	1.20	INSULATOR , #1 body bolt
73-76	Corvette	334765	2	1.20	INSULATOR , #3 body bolt
63-67	Corvette	3832279	4	.17	SPACER , frt. bumper bolt

9.170 BODY ASSY.—CYLINDER ASSY.—NUT KIT—SEAL KIT—SHAFT ASSY.—SHELL ASSY., Air Conditioning less Clutch

66-71	Corvette				cmpr.
75	Corvette	5910432	1	163.70	cmpr.
72-73	Corvette	6598452	1	182.10	CYLINDER ASSY. , w/drive shaft brg.
62-75	Corvette	5914807	1	35.25	CYLINDER ASSY. , w/pistons, wobble plate and shaft
66-75	Corvette (2nd design)	5914810	1	105.00	CYLINDER ASSY. , w/pistons, wobble plate and shaft
66	Corvette (1st design)	5914809	1	104.80	CYLINDER ASSY. , w/pistons, wobble plate and shaft
62-75	Corvette	6590589	1	3.19	NUT KIT , drive shaft and head
62-75	Corvette	6591956	1	4.48	SEAL KIT (Note 1)
<i>NOTE 1 Consists of 8 Seals O Rings. When using on 1962-63 models formerly requiring Cover Gasket Seal, it is mandatory that cover 6555755 Grp. 9.172 be used in lieu of this cover gasket.</i>					
62-75	Corvette	5914705	1	25.50	SHAFT ASSY. , w/wobble plate
62-75	Corvette	5914808	1	29.30	SHELL ASSY.

9.171 BRACKET—BOLT—BRACE—PIN—SHIM—SUPPORT, Air Conditioning Compressor Mounting

NOTE Original equipment braces may be replaced by service braces which will require drilling of attaching hole and forming.

64-76	Corvette (327, 350)	3841698	1	2.95	front
64-76	Corvette (327, 350)	3841699	1	1.20	rear
67-74	Corvette (427, 454)	3894362	1	10.70	front
67-74	Corvette (427, 454)	3894364	1	11.45	rear
64	Corvette	3841724	1	.43	BOLT , exh. mfl'd. (3rd hole, right)—(3.275)
66-67	Corvette (427)	3894366	1	2.45	BRACE , comp. rear
70-74	Corvette	606535	1	.17	PIN , a/c comp. support (5/8" x 31/32")
64-76	Corvette (327, 350)	3852876 A.R.	.13		SHIM , comp. bracket rear
65-76	Corvette (327, 350)	3841697	1	7.25	SUPPORT , bracket, front
65-74	Corvette (327, 350)	3878222	1	6.95	SUPPORT , comp. bracket rear
66	Corvette				
68	Corvette w/H/Per. (427)	3872726	1	3.75	SUPPORT , compressor, rr. bracket
75-76	Corvette	351688	1	20.50	SUPPORT , compressor, rr. bracket
66-74	Corvette (427, 454)	3887167	1	5.55	SUPPORT ASSY. , comp.

9.172 PUMP UNIT—BALL—BEARING—BUSHING—COVER—FUSE ASSY.—HARNES—PISTON—RACE—RETAINER—RING—SCREEN—SEAL—SEAT—SLEEVE—SWITCH ASSY.—SWITCH UNIT—TUBE—VALVE, Air Conditioning Compressor (Internal)

62-75	Corvette	6590594	1	7.20	cmpr. oil (Note 1)
<i>NOTE 1 Consists of 1 inner and outer Rotor.</i>					
62-75	Corvette	6555258	6	1.41	BALL , piston drive
62-75	Corvette	6555259	2	2.12	BEARING , wobble plate thrust
62-75	Corvette	148406	2	1.90	BEARING , drive shaft
75	Corvette	6555440	1	2.57	BUSHING , discharge tube
62-75	Corvette	6555755	1	1.78	COVER , manifold suction crossover passage
72-73	Corvette	6556440	1	2.15	FUSE ASSY. , a/c comp. cut-out switch thermal
72	Corvette	8908651	1	4.47	HARNES , a/c comp. head and switch wire
62-69	Corvette	6555255	3	5.90	PISTON , high compression ratio
66-73	Corvette				
75	Corvette	6555318	3	6.55	PISTON , low compression ratio
62-75	Corvette	6556000 A.R.	1.63		RACE , wobble plate thrust brg. (stamped 0)
62-75	Corvette	6556060 A.R.	1.50		RACE , wobble plate thrust brg. (stamped 6)

BODY MTG.—AIR COND.—INSTRUMENTS

9.172 PUMP UNIT— BALL— BEARING— BUSHING— COVER— FUSE ASSY.— HARNESS— PISTON— RACE— RETAINER— RING— SCREEN— SEAL— SEAT— SLEEVE— SWITCH ASSY.— SWITCH UNIT— TUBE— VALVE, Air Conditioning Compressor (Internal) (Con't)

62-75	Corvette	6556065	A.R.	1.50	RACE, wobble plate thrust brg. (stamped 6.5)
62-75	Corvette	6556070	A.R.	1.50	RACE, wobble plate thrust brg. (stamped 7)
62-75	Corvette	6556075	A.R.	1.50	RACE, wobble plate thrust brg. (stamped 7.5)
62-75	Corvette	6556080	A.R.	1.50	RACE, wobble plate thrust brg. (stamped 8)
62-75	Corvette	6556085	A.R.	1.50	RACE, wobble plate thrust brg. (stamped 8.5)
62-75	Corvette	6556090	A.R.	1.50	RACE, wobble plate thrust brg. (stamped 9)
62-75	Corvette	6556095	A.R.	1.50	RACE, wobble plate thrust brg. (stamped 9.5)
62-75	Corvette	6556100	A.R.	1.50	RACE, wobble plate thrust brg. (stamped 10)
62-75	Corvette	6556105	A.R.	1.50	RACE, wobble plate thrust brg. (stamped 10.5)
62-75	Corvette	6556110	A.R.	1.50	RACE, wobble plate thrust brg. (stamped 11)
62-75	Corvette	6556115	A.R.	1.50	RACE, wobble plate thrust brg. (stamped 11.5)
62-75	Corvette	6556120	A.R.	1.50	RACE, wobble plate thrust brg. (stamped 12)
62-75	Corvette	6556055	A.R.	1.50	RACE, wobble plate thrust brg. (stamped 5.5)
62-75	Corvette	6556050	A.R.	1.50	RACE, wobble plate thrust brg. (stamped 5)
73-74	Corvette	6556408	1	.85	RETAINER, A/C comp. superheat switch ring
62-75	Corvette	6555254	6	1.63	RING, piston
73-74	Corvette	6556407	1	.32	RING, A/C comp. superheat switch
62-75	Corvette	6555299	1	1.22	SCREEN, freon inlet
64-75	Corvette	5929144	1	.66	SEAL, oil inlet tube
62-75	Corvette	6557000	A.R.	1.90	SEAT, piston drive ball (stamped 0)
62-75	Corvette	6556175	A.R.	1.73	SEAT, piston drive ball (stamped 17.5)
62-75	Corvette	6556180	A.R.	1.73	SEAT, piston drive ball (stamped 18)
62-75	Corvette	6556185	A.R.	1.73	SEAT, piston drive ball (stamped 18.5)
62-75	Corvette	6556190	A.R.	1.73	SEAT, piston drive ball (stamped 19)
62-75	Corvette	6556195	A.R.	1.73	SEAT, piston drive ball (stamped 19.5)
62-75	Corvette	6556200	A.R.	1.73	SEAT, piston drive ball (stamped 20)
62-75	Corvette	6556205	A.R.	1.73	SEAT, piston drive ball (stamped 20.5)
62-75	Corvette	6556210	A.R.	1.73	SEAT, piston drive ball (stamped 21)
62-75	Corvette	6556215	A.R.	1.73	SEAT, piston drive ball (stamped 21.5)
62-75	Corvette	6556220	A.R.	1.73	SEAT, piston drive ball (stamped 22)
62-74	Corvette	6555440	2	2.57	SLEEVE, manifold discharge crossover tube
68	Corvette	1998874	1	2.48	SWITCH ASSY., comp.
72-74	Corvette	6599306	1	10.25	SWITCH UNIT, super heat
62-75	Corvette	6555298	1	.89	TUBE, oil pump suction
62-75	Corvette	6590592	1	9.50	TUBE, manifold discharge crossover (Note 2)
<i>NOTE 2 Consists of 1 each Tube Assy. and Bushing.</i>					
62-75	Corvette	6555279	2	6.00	VALVE, suction
62-75	Corvette	5914706	1	10.95	VALVE PLATE, front discharge w/valves
62-75	Corvette	5914709	1	10.95	VALVE PLATE, rear discharge w/valves

9.174 HEAD, Air Conditioning Compressor (External)

62-75	Corvette	6555283	1	23.85	front
62-73	Corvette,				
75	Corvette	6598439	1	27.20	HEAD AND SWITCH ASSY.

9.175 HOUSING— RETAINER— RING— SEAL, Air Conditioning Compressor Shaft

62-74	Corvette	6550835	1	32.20	w/coil— (9.186)
69-75	Corvette	6556076	1	.18	RETAINER, seal
62-75	Corvette	6555330	1	1.25	RING, coil housing retaining
62-75	Corvette	6555328	1	.87	RING, drive shaft drive hub retaining
62-75	Corvette	6555292	1	1.23	RING, drive shaft seal
69-75	Corvette	6556077	1	.23	SEAL, sleeve
62-75	Corvette	6599114	1	10.35	SEAL UNIT (Note 1)

NOTE 1 This unit consists of 1 seal O ring, 1 seat seal, 1 ring retainer, 1 retainer seal, 1 seal sleeve.

9.177 CAP— CORE— GASKET— SCREW, Air Conditioning Compressor Oil Test

63-72	Corvette	3792359	2	.73	compressor fitting valve
62-63	Corvette				CORE, test valve (²⁹ / ₃₂ " long)
64-75	Corvette	3141348	A.R.	.51	connector pipe valve (brass threads)

9.177 CAP— CORE— GASKET— SCREW, Air Conditioning Compressor Oil Test (Con't)

56-75	Corvette	5858696	1	.46	GASKET , on oil fitting
56-74	Corvette	5858694	1	.77	SCREW , oil drain hole

9.178 VALVE ASSY.— GASKET— PIN, Air Conditioning Compressor Pressure Relief

55-75	Corvette	5914435	1	8.05	(440 lbs.)
58-69	Corvette	640044	1	.33	GASKET
62-75	Corvette	6590686	1	.80	PIN , cylinder locator

9.180 PULLEY, Air Conditioning Compressor Drive

64-68	Corvette,					
70	Corvette (exc. 454),					
73	Corvette (exc. 454)	5914745	1	60.70	w/bearing (u/w5910717-0706-0741)
69	Corvette,					
70-73	Corvette (454)	6550750	1	60.80	w/bearing (u/w5910737-0738-0740)
71-72	Corvette (exc. 454)	6550482	1	64.50	w/bearing
75	Corvette	6551249	1	48.65	w/bearing

9.181 BEARING— NUT— RING— SPACER, Air Conditioning Compressor Pulley

NOTE See Group 1.066 for 1970-71 Air Conditioning Drive Belts.

62-70	Corvette,					
75	Corvette	907257	1	18.58	pulley
73-74	Corvette	908126	1	30.70	pulley
62-75	Corvette	6556385	1	.66	NUT , drive shaft
60-75	Corvette	6556338	1	.29	RING , brg. to pulley hub retaining
62-75	Corvette	6556329	1	1.23	RING , pulley bearing to hd. ret.
62-75	Corvette	6556384	1	1.25	SPACER , drive shaft nut to hub

9.186 COIL, Air Conditioning Compressor Clutch Actuating

62-75	Corvette	6550835	1	32.20	w/housing
--------------	----------	-------	----------------	---	-------	-----------

9.188 PLATE— KEY, Air Conditioning Compressor Clutch Actuating

62-75	Corvette	5914719	1	19.85	w/hub (Note 1)
--------------	----------	-------	----------------	---	-------	----------------

NOTE 1 This part is used on 1958 vehicles when the 1962 designed 6 cyl. Compressor 6550160 Assy. has been installed as a replacement Compressor.

62-75	Corvette	6556320	1	.97	KEY , drive hub to drive shaft
--------------	----------	-------	----------------	---	-----	---------------------------------------

9.190 CONDENSER— BRACKET, Air Conditioning Refrigerant

66-67	Corvette	3891735	1	112.75	refrigerant
68	Corvette	3906084	1	117.50	refrigerant
69-72	Corvette	3949932	1	108.50	refrigerant
73-76	Corvette	3028820	1	122.90	refrigerant
73-76	Corvette	336437	L.H.	1.55	BRACKET , condenser
73-76	Corvette	336438	R.H.	1.55	BRACKET , condenser

9.195 RECEIVER ASSY.— DESICCANT— HOUSING— INLET ASSY.— RING— SCREEN— SCREW— SHELL— TUBE, Air Conditioning Refrigerant (w/Dehydrator)

63-67	Corvette	3155342	1	27.50	refrigerant
68-72	Corvette	3012944	1	27.95	refrigerant
73-75	Corvette (1st design)	6598830	1	73.90	refrigerant (V.I.R.) (Note 1)
75	Corvette (2nd design)	9956651	1		refrigerant (V.I.R.) (Note 1)
73-75	Corvette	6598832	1	8.85	DESICCANT , a/c drier kit
73-75	Corvette (1st design)	6599446	1	28.30	HOUSING , a/c V.I.R. valve kit (Note 1, 2)

NOTE 2: Consist of valve housing and sight glass assy., seal ring kit and internal retaining ring.

75	Corvette (2nd design)	9956653	1		HOUSING , V.I.R. valve kit (Note 1)
73-75	Corvette	6599443	1	11.90	INLET ASSY. , A/C comp.
73-75	Corvette	6556489	1	.33	RING , a/c ret. P/U tube
73-75	Corvette	6599455	1	1.12	SCREEN , A/C filter P/U tube
73-75	Corvette	6556487	10	.24	SCREW , a/c inlet conn. shell assy. and revr. shell mounting

73	Corvette	6599448	1	9.65	SHELL , A/C recr. kit
74-75	Corvette	6598833	1	8.50	SHELL , a/c recr. kit (Note 3)

NOTE 3: When using in place of 6599448 it will be necessary to buy pick-up tube 6598831 and replace desiccant bag with 6598832.

73	Corvette	6599450	1	9.55	TUBE , A/C pick-up kit
74-75	Corvette	6598831	1	9.45	TUBE , a/c pick-up kit

NOTE 1: 2nd design distinguished by Gold housing and Red label or 1/4" high letter "E" on housing.

9.196 CLAMP— BRACKET— SEAL RING— SUPPORT— TUBE, Air Conditioning Refrigerant

NOTE If specific Pipe Assy. or Tube Assy. usage cannot be found use applicable fittings from group 9.222 and cut hose from group 9.220 to desired length.

63-67	Corvette,					
--------------	-----------	--	--	--	--	--

BODY MTG.—AIR COND.—INSTRUMENTS

9.196 CLAMP— BRACKET— SEAL RING— SUPPORT— TUBE, Air Conditioning Refrigerant (Con't)

70-72	Corvette	3840341	1	.31	BRACKET, receiver mtg., lower
69-72	Corvette	3849849	1	.33	BRACKET, receiver mtg., upper
73-74	Corvette	3984667	2	.26	BRACKET, A/C recr. and valve to blower and evap.
73-74	Corvette	3028097	1	1.59	BRACKET, evap. mounting V.I.R.
73-75	Corvette	6556525	3	.56	SEAL RING, A/C valve housing to recr. shell
73-75	Corvette	6555088	2	.56	SEAL RING, A/C P/U tube and cond.line conn.
73-75	Corvette	6599447	1	6.33	SEAL RING KIT, A/C V.I.R.
74-75	Corvette	6556712	1	.55	SEAL RING, valve housing to recr. shell (radius)
73-75	Corvette	6556526	1	.56	SEAL RING, a/c inlet conn. shell assy. to valve housing
73-75	Corvette	6556524	1	.56	SEAL RING, a/c P.O.A. valve
68-69	Corvette	3906088	1	2.71	TUBE, receiver and dehydrator inlet

9.198 VALVE ASSY.— BRACKET— BAFFLE— CAP— CONNECTOR— CORE— PISTON— RETAINER— SCREW ASSY.— SEAL— SWITCH ASSY., Air Conditioning Evaporator By-Pass

63-66	Corvette	5910471	1	44.05	refrigerant control (throttling suction valve)
66	Corvette	5910498	1	41.90	freon control (throttling suction valve)
67-74	Corvette	5910593	1	39.45	A/C refrig. cont.
73-75	Corvette	6599444	1	20.00	P.O.A. suction throttling
67-72	Corvette	3902244	1	.28	BRACKET, refrig. cont. valve
73-75	Corvette	6556559	1	.30	BAFFLE, a/c P.O.A. valve
62-66	Corvette,				
69-75	Corvette	5911737	1	.94	CAP, freon control valve
62-66	Corvette,				
69	Corvette	5914817	1	.54	CORE, bleed valve (black tip/nickel threads)
75	Corvette	6551178	1	.65	CORE, liquid bleed valve
62-66	Corvette	6550597	1	10.55	PISTON, throttling valve
73-74	Corvette	6599466	2	2.67	SCREW ASSY., A/C valve capsule retainer
62-66	Corvette				SEAL, "O" ring, evap. gauge,
75	Corvette	6555533	1	.47	liquid bleed line conn.
65-67	Corvette	3859356	1	24.20	SWITCH ASSY., vac. control— (9.280)

9.199 BRACKET— SUPPORT, Air Conditioning Evaporator By-Pass Valve

68-72	Corvette	3014819	1	2.87	valve mtg.
-------	----------	---------	---	------	------------

9.202 GLASS— SEAL RING, A/C Sight Glass

73-75	Corvette	6599451	1	2.83	sight
73	Corvette	6599462	2	4.06	SEAL RING
74-75	Corvette	6556527	2	.56	SEAL RING, sight glass to housing

9.210 CORE ASSY.— BAFFLE, Air Conditioning Evaporator

63-66	Corvette	338254	1	74.40	
68	Corvette	3015127	1	115.60	w/fittings
69-72	Corvette	3020037	1	122.20	w/fittings
73-75	Corvette	3028107	1	122.20	

9.211 CASE— CLAMP— COVER ASSY.— GASKET— GROMMET— PLATE— SEAL— TUBE, Air Conditioning Evaporator Core Housing

68	Corvette	3015121	1	32.85	outlet
68	Corvette	3015118	1	35.65	inlet
69-71	Corvette	3018990	1	46.05	inlet w/backplate and retainer
69-71	Corvette	3018782	1	29.00	outlet w/plate assy.
72-73	Corvette	3024680	1	46.05	inlet, backplate and retainer assy.
72	Corvette	3025610	1	29.00	outlet w/plate assy.
73-74	Corvette	3028098	1	36.35	outlet, w/plate assy.
74	Corvette	3030068	1	46.05	inlet, backplate and retainer assy.
75	Corvette	3030067	1	22.00	inlet
75	Corvette	3030078	1	22.00	outlet
68-72	Corvette	3017085	1	.12	CLAMP, evap. core outlet tube supt. (black)
62-67	Corvette				GASKET, "O" ring (compressor fitting end),
70-74	Corvette	6556521 A.R.		.56	A/C control valve outlet tube, A/C refrigerant valve
73-74	Corvette	8526398 A.R.		.23	GASKET, A/C recr. and valve inlet hose and tube to A/C recr. and valve, cut-off switch
68-75	Corvette	3014860	1	.21	GROMMET, outlet pipe
68-75	Corvette	3014861	1	.21	GROMMET, inlet pipe
68-75	Corvette	3014820	1	1.63	SEAL, core to case
68-75	Corvette	3008851 A.R.		.26	SEAL, core to case (12 ³ / ₄ ' long)
68	Corvette	3015129	1	.11	SEAL, evap. case, side (12" long)

BODY MTG.—AIR COND.—INSTRUMENTS

9.211 CASE— CLAMP— COVER ASSY.— GASKET— GROMMET— PLATE— SEAL— TUBE, Air Conditioning Evaporator Core Housing (Con't)

68	Corvette	3014541	1	.08	SEAL, evap. case, top or bottom (9" long) ..
75	Corvette	3016894	1	.11	SEAL, evap. core ..
68-72	Corvette	3021960		.33	TUBE, a/c blower and evaporator drain ..

9.213 VALVE ASSY.— INSULATOR— INSULATION, Air Conditioning Evaporator Expansion

63-67	Corvette	5910613	1	35.30	thermostatic expansion ..
68-72	Corvette	5910767	1	37.55	thermostatic expansion ..
73-75	Corvette (1st design)	6599445	1	13.95	A/C V.I.R. expn. (Note 1) ..
75	Corvette (2nd design)	9956652	1		V.I.R. expansion (Note 1) ..
<i>NOTE 1: 2nd design distinguished by Gold housing and Red label or 1/4" high letter "E" on housing.</i>					
68-72	Corvette	3014431	1	.85	INSULATOR, capillary tube bulb ..

9.214 CLAMP— CLIP— GASKET— SCREW AND WASHER ASSY.— SEAL RING, Air Conditioning Evaporator Expansion Valve

NOTE If specific Pipe Assy. or Tube Assy. usage cannot be found use applicable fittings from group 9.222 and cut hose from group 9.220 to desired length.

63-68	Corvette	3147034	1	.18	valve capillary tube bulb (11/16" I.D.) ..
63-72	Corvette	3017086	1	.23	(black) ..
70-72	Corvette	3152029	1	.16	CLIP, a/c evap. therm. expansion vlv. capillary tube ..
63-75	Corvette	3140600	A.R.	.30	GASKET, "O" ring condenser inlet tube (7/16" x 9/16" O.D.) ..
63-74	Corvette	8526645	A.R.	.13	GASKET, "O" ring, freon tube fitting, outlet tube gasket (9/16" I.D. x 9/32" O.D.) ..
75	Corvette	6551143	2	.70	SCREW AND WASHER ASSY., valve cap retaining ..
73-75	Corvette	6556523	2	.56	SEAL RING, a/c therm. expn. valve capsule- a/c V.I.R. expn. valve ..
73-75	Corvette	9948028	1	.56	SEAL RING, A/C evap. inlet line conn. ..
73-75	Corvette	6556521	A.R.	.56	SEAL RING, a/c evap. outlet conn. to V.I.R., a/c therm. expn. valve lower, a/c V.I.R. expn. valve and evap. outlet conn. ..

9.215 RELAY ASSY.— SPACER, Air Conditioning Evaporator Blower

70-72	Corvette	1115858	1	11.15	A/C system turn on— (9.277) ..
68-75	Corvette	3917329	1	.15	SPACER, air side outlet duct ..

9.216 FAN ASSY.— MOTOR ASSY.— GASKET, Air Conditioning Evaporator Blower Motor

63-68	Corvette	3144684	1		— (8.857) ..
72-75	Corvette	3027031	1	5.95	(8.857) ..
63-75	Corvette w/C.A.C.	4960538	1	31.80	MOTOR ASSY., a/c blower ..
63-67	Corvette	3841088	1		GASKET, air cond. blower and evap. to dash ..

9.218 TUBE— ELBOW, Air Conditioning Evaporator Air Inlet

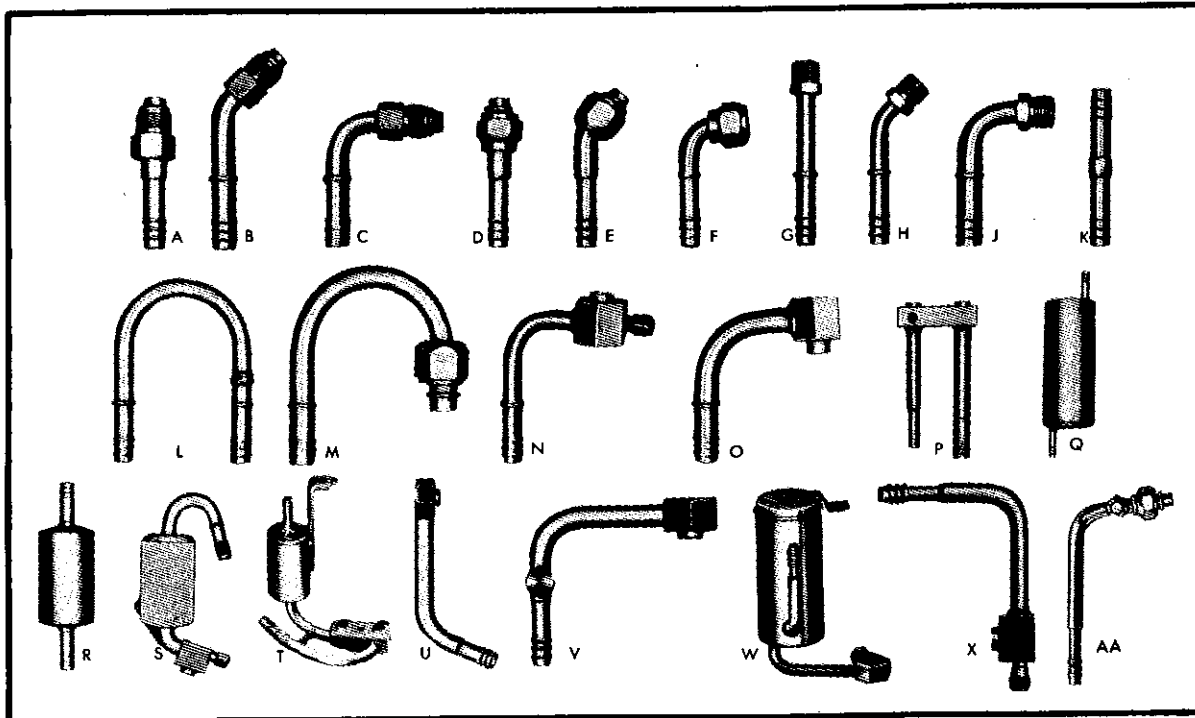
64-67	Corvette	3000092	1	.53	motor cooling ..
68-75	Corvette	3014788	1	1.64	motor cooling ..
69-72	Corvette	3015608	1	.95	motor cooling ..
68-75	Corvette w/C.A.C.	3013475	1	.28	ELBOW, motor cooling ..

9.220 TUBE ASSY.— SEAL RING, Air Conditioning Freon System

NOTE 1: If specific metal Tube Assy. cannot be found use applicable fittings from Group 9.222 and cut hose from group 9.225 to desired length.

66-68	Corvette	3925743	1	1.76	expn. valve inlet ..
67-68	Corvette	6272140	1	2.50	control valve outlet ..
69-72	Corvette	3949930	1	4.58	expn. valve inlet hose ..
73	Corvette	336436	1	5.10	w/sleeve, cndsr. outlet ..
74-75	Corvette	340416	1	6.40	cndsr. outlet ..
74-75	Corvette	340417	1	10.35	evap. inlet ..
76	Corvette	344897	1		evap. inlet ..
73	Corvette	6599465	1	4.06	SEAL RING, bleed line conn. ..
74	Corvette	6555533	1	.47	SEAL RING, bleed line conn. ..

9.222 FITTING PKG.— MUFFLER PKG.— HOSE— CLAMP— "O" RING, Air Conditioning Refrigerant Line (Fitting Pkgs. Include O Rings and Hose Clamps)



PART NO.	TYPE	THREAD SIZE	HOSE I.D.	PART NO.	TYPE	THREAD SIZE	HOSE I.D.	PART NO.	TYPE	THREAD SIZE	HOSE I.D.
3024535	A	11/16-16	5/16	3023675	E	3/4-16	13/32	3027769	J	3/4-16	13/32
3023691	A	5/8-18	5/16	3023676	E	7/8-14	1/2	3023686	K		5/16
3023692	A	3/4-18	13/32	3023677	E	1- 1/16-14	5/8	3023687	K		13/32
3023693	A	7/8-18	1/2	3023678	E	5/8-18	13/32	3023688	K		1/2
3023694	A	1- 1/16-16	5/8	3023679	E	3/4-16	1/2	3023689	K		5/8
3023695	A	5/8-18	13/32	3023680	E	7/8-14	5/8	3023718	L		1/2
3023696	A	3/4-18	1/2	3023657	F	5/8-18	5/16	3023719	L		5/8
3023668	B	5/8-18	5/16	3030183	F	3/4-16	13/32	3024791	M	5/8-18 (Male)	5/16
3023669	B	3/4-18	13/32	3023658	F	3/4-16	13/32	3023722	M	1 1/16-14(Female)	5/8
3023670	B	7/8-18	1/2	3023659	F	7/8-14	1/2	3023715	N		13/32
3023671	B	1- 1/16-16	5/8	3023660	F	1- 1/16-14	5/8	3023716	N		1/2
3023672	B	5/8-18	13/32	3023661	F	5/8-18	13/32	3023717	O		5/8
3023673	B	3/4-18	1/2	3023662	F	3/4-16	1/2	3023721	P		13/32-5/8
3024537	C	11/16-16	5/16	3024534	G	5/8-18	5/16	3023720	Q		13/32
3023651	C	5/8-18	5/16	3023711	G	5/8-18	13/32	* 3981880	R		1/2
* 3925751	C	11/16-16	13/32	3027763	G	3/4-16	13/32	* 3923139	S		1/2-5/8
3023652	C	3/4-18	13/32	3023712	G	3/4-16	1/2	* 3970541	T		1/2-5/8
3023653	C	7/8-18	1/2	3023713	G	7/8-14	5/8	3024788	U		5/8
3023654	C	1- 1/16-16	5/8	3023714	G	1- 1/16-14	5/8	3030185	U		13/32
3023655	C	5/8-18	13/32	3023682	H	5/8-18	13/32	3024789	V		13/32
3023656	C	3/4-18	1/2	3027766	H	3/4-16	13/32	* 231296	W		13/32
3023697	D	5/8-18	5/16	3023683	H	3/4-16	1/2	* 231297	W		13/32
3023698	D	3/4-16	13/32	3023684	H	7/8-14	5/8	* 231298	W		13/32
3023699	D	7/8-14	1/2	3023685	H	1- 1/16-14	5/8	3027483	X		13/32
3023700	D	1- 1/16-14	5/8	3024536	J	5/8-18	5/16	3030977	AA	5/8-18	5/16
3023701	D	5/8-18	13/32	3023664	J	5/8-18	13/32	* FITTING ONLY			
3023709	D	3/4-16	1/2	3023665	J	3/4-16	1/2				
3023710	D	7/8-14	5/8	3023666	J	7/8-14	5/8				
3023674	E	5/8-18	5/16	3023667	J	1- 1/16-14	5/8				
3028285	E	11/16-16	5/16								

HOSE, CLAMP, O RINGS

230882	Hose, Refrig.	(5/16" I.D. x 15')	8526398	O'Ring (3/8" I.D.)
230883	Hose, Refrig.	(13/32" I.D. x 15')	3140600	O'Ring (1/2" I.D.)
230884	Hose, Refrig.	(1/2" I.D. x 15')	3140748	O'Ring (5/8" I.D.)
230885	Hose, Refrig.	(5/8" I.D. x 15')	3140852	O'Ring (3/4" I.D.)
			5887997	O'Ring, Fitting to Comp.

3909030 Clamp, Adj. Hose (with Locator Tab)

9.225 HOSE, Air Conditioning Freon System

NOTE: If specific Hose Assy. usage cannot be found use applicable fittings from group 9.222 and cut hose from group 9.220 to desired length.

NOTE Hose Assemblies may be replaced by bulk hose.

53-74	Corvette	230883	1	RL/2.09	(¹³ / ₃₂ " I.D.)— (8.962)
53-74	Corvette	230884	1	RL/2.76	(¹ / ₂ " I.D.)— (8.962)
53-74	Corvette	230885	1	RL/3.16	(⁵ / ₈ " I.D.)— (8.962)
73	Corvette	328276	1	11.00	HOSE ASSY., w/tube cndsr. to V.I.R. inlet	..

9.226 FITTING ASSY.— MUFFLER, Air Conditioning Compressor Suction and Discharge

63-66	Corvette,					
67	Corvette (427),					
68	Corvette	3923139	1	21.00	FITTING ASSY., w/muffler only
69-72	Corvette (427, 454)	3998472	1	40.75	FITTING ASSY., w/muffler (Note 1)
69-72	Corvette (350)	3998438	1	51.50	FITTING ASSY., w/muffler (Note 1)
73-74	Corvette (350),					
75-76	Corvette	346137	1	43.00	FITTING ASSY., w/muffler (Note 1)
73	Corvette (454)	340407	1	51.50	FITTING ASSY., w/muffler (Note 1)
74	Corvette (454)	340404	1	44.25	FITTING ASSY., w/muffler (Note 1)
<i>NOTE 1: Complete w/hoses and fittings.</i>						
69-72	Corvette	3981880	1	9.90	MUFFLER, A/C in line

9.242 CLAMP— CLIP— STRAP, Air Conditioning Hose

68	Corvette (327)				A/C comp. to evap. hose,
69-70	Corvette (350)	3925746	1	.10	A/C refrig. cont. vlv. to compr. ftg. and muff. hose clamp
64-68	Corvette,					
70-76	Corvette	3853968	1	.26	CLIP, heater hose to compressor fitting and muffler clip
74	Corvette	3917385	A.R.	.10	STRAP, a/c hoses (plastic)

9.262 OUTLET ASSY.— ADAPTER ASSY.— BEZEL ASSY.— BRACKET— CLAMP— DEFLECTOR— DUCT ASSY.— KNOB— LEVER— NUT— PANEL— PLATE— SCREW— SEAL— SPACER— STRAP— WASHER, Air Cond. Evap. Air Distributor

69-73	Corvette	3963792	1	8.30	air lower
74-76	Corvette	336471	1	15.85	A/C air dist. duct
69-76	Corvette	3906004	A.R.	.28	ADAPTER ASSY., air dist. duct
69-73	Corvette	6499566	1	36.65	BEZEL ASSY., air dist. duct center outlet	..
63-67	Corvette	3834962	1	2.71	DEFLECTOR, center outlet
63-67	Corvette	3846273	L.H.	5.35	DEFLECTOR, left, air outlet
70-76	Corvette	331918	2	2.87	DEFLECTOR, air side outlet
74-76	Corvette	336470	1	5.41	DEFLECTOR ASSY., air lower outlet duct	..
68	Corvette	3949819	L.H.	3.31	DUCT ASSY., air side outlet, left
68-76	Corvette	3949988	R.H.	7.50	DUCT ASSY., air side outlet, right (Note 1)	..
<i>NOTE 1 Rework and tape as necessary to insure adequate fit and sealing.</i>						
69-74	Corvette	3949987	L.H.	5.12	DUCT ASSY., left, air side outlet
74-76	Corvette	336472	L.H.	5.41	DUCT ASSY., air side outlet
63-67	Corvette	3825815	2	.68	KNOB, evaporator air outlet valve
68-76	Corvette	336109	1	7.85	PANEL, plenum ctr. filler
68-76	Corvette	3964143	1	.58	PLATE, plenum ctr. panel filler panel tap	..
68-76	Corvette	3906007	1	.10	SCREW, heater and air cond. air seal evap., blower and seal (¹ / ₄ "— 14 x ¹ / ₄ ")
63-67	Corvette	3855560	2	.11	SEAL, evap. side outlet deflector bezel
68-74	Corvette	3969803	1	.12	SEAL, carb. air cont. vlv. frame, air side outlet
68-76	Corvette	3937112	1	.67	SEAL, air distributor duct center (¹ / ₂ " x ¹ / ₂ " thk.)
68-69	Corvette				SEAL, air side outlet bezel
70-76	Corvette	3937189	4	.16	A/C evap. air ctr. outlet
71-73	Corvette	3984598	1	.21	SEAL, carb. heater and air cond. air selector to evap. and blower motor
68	Corvette	9776399	2	.05	SPACER, air center outlet deflector
68-70	Corvette	3012470	A.R.	.11	SPACER, A/C htr. div. valve
73-74	Corvette	3917385	1	.10	STRAP, htr. and A/C hoses— (9.260)
68	Corvette				WASHER, evap. air outlet valve rod,
69-71	Corvette	3731921	2	.11	air inlet plenum valve actuator (steel)— (4.312)

9.264 RETAINER, Air Conditioning Evaporator Air Distributor Outlet

68-75	Corvette	3146637	2	.16	side grille
--------------	----------	---------	---	-----	-------------	-------

9.273 CONTROL ASSY., Air Conditioning Instrument Panel

68	Corvette	3937178	1	32.25	a/c
69-74	Corvette	6262642	1	36.35	a/c

9.275 SWITCH ASSY.— BAFFLE— GASKET— GROMMET— NUT— RESISTOR ASSY.— SHAFT ASSY.— SPRING, A/C Electric Temperature and Blower Motor Control

63-67	Corvette	3828946	1	2.78	heater and air cond. blower
68	Corvette	3870286	1	1.55	htr. and air cond. blower (push button w/2 term.)— (8.852)
68	Corvette,				
69-74	Corvette (exc. C.A.C.)	3909028	1	3.34	htr. blower (lever w/4 term.)— (8.852)
68	Corvette	3919595	1	2.63	heater and C.A.C. blower low (push button w/4 term.)— (8.852)
68-72	Corvette	483326	1	3.50	heater and A/C ambient (Note 1)
<i>NOTE 1 This switch cuts off elect. supply to comp. at 29 degrees F and below to protect comp. shaft seal assy. from damage.</i>					
69-74	Corvette	7310365	1	4.61	heater and A/C compressor— (8.852)
69-74	Corvette	7310366	1	4.61	heater and A/C low blower— (8.852)
69-75	Corvette w/C.A.C.	3942657	1	2.87	heater and A/C blower (lever w/6 term.)— (8.852)
73-75	Corvette	6272089	1	4.74	A/C compressor cut-off pressure
68-76	Corvette	3002381	1	.25	GROMMET, A/C htr. vac. element
64-67	Corvette	3159441	3	.11	NUT, speed type "B"
64	Corvette	3929046	1	2.56	RESISTOR ASSY., blower motor
65-68	Corvette	3929048	1	2.51	RESISTOR ASSY., blower motor
68	Corvette	3929055	1	1.38	RESISTOR ASSY., blower motor
69-71	Corvette	3942651	1	2.63	RESISTOR ASSY., blower motor
72-76	Corvette	6262652	1	2.51	RESISTOR ASSY., blower motor

9.276 HARNESS ASSY.— PLATE— WIRE ASSY., Air Conditioning, Electrical

NOTE If specific Pipe Assy. or Tube Assy. usage cannot be found use applicable fittings from group 9.222 and cut hose from group 9.220 to desired length.

69-70	Corvette	6297574	1	27.50	wiring
71-73	Corvette	8901972	1	39.50	wiring
74	Corvette	8908405		28.00	wiring
75	Corvette	8908477	1	31.00	wiring
68-72	Corvette	3964143	1	.58	PLATE, plenum ctr. panel filler panel tap— (9.262)

9.277 RELAY ASSY., Air Conditioning Electrical

61-68	Corvette	1365166	1	4.60	blower motor cut out (terminals)
69-76	Corvette	1115881	1	6.65	car heater and A/C blower motor cutout
71-72	Corvette	3996204	1	2.45	anti-dieseling blocking— (3.440)

9.280 SWITCH— ACTUATOR— ELEMENT, Air Conditioning Vacuum Control

63-67	Corvette	3859356	1	24.20	vac. control
69	Corvette	1998944	1	4.02	ACTUATOR ASSY., air inlet plenum
70-76	Corvette	1996503	1	5.75	ACTUATOR ASSY., a/c air inlet plenum valve
69-76	Corvette	1998999	1	5.45	ACTUATOR ASSY., car htr. air dist. vac.
68	Corvette	1998923	1	4.14	ELEMENT, car heater div. valve vac.

9.281 HOSE ASSY.— CONNECTOR— TEE, Air Conditioning Control

69	Corvette	3949969	1	7.10	car htr. and A/C vac. control
69-76	Corvette	3984852	1	1.05	air inlet plenum valve actuator to valve
70-71	Corvette	3984651	1	8.30	car htr. & a/c vacuum control
72-73	Corvette	331945	1	8.85	car htr. and A/C vac. control
74-76	Corvette	3992164	1	8.85	car htr. and A/C vac. control
68	Corvette	399577	1	.18	CONNECTOR, vac. hose
65-66	Corvette				TEE, refrig. vac. cont. hose,
73-74	Corvette	3752621	1	.20	inlet manif. vac. fitting hose
69	Corvette	3895904	1	.54	TEE, air valve actuator
68-72	Corvette				TEE, htr. and A/C air and water valve vac. cont. hose
73-74	Corvette	3929022	1	1.30	htr. vac. cont. hose to headlamp and w/s/w vac. hose
73-74	Corvette	3992117	1	.37	TEE, headlamp vac. control

9.647 BEZEL— CABLE ASSY.— CAP— GASKET— GROUND PLATE— GROUND STRAP— REINFORCEMENT— ROD AND MAST ASSY., Antenna

73	Corvette	3921439	1	.34	antenna
74-76	Corvette (Coupe)	6258261	1	.74	antenna
74-76	Corvette (Conv.)	6258262	1	.74	antenna
73-76	Corvette	3996218	1	6.65	CABLE ASSY., w/body, lead in
73-75	Corvette	3943656	1	.65	CAP
73-74	Corvette	3138635	1	.27	GASKET, upper— (9.211)
73-74	Corvette	3820872	1	.20	GASKET, mounting
73	Corvette	3928732	1	1.20	GROUND PLATE
74-76	Corvette (Coupe)	6258263	1	1.20	GROUND PLATE

9.647 BEZEL— CABLE ASSY.— CAP— GASKET— GROUND PLATE— GROUND STRAP— REINFORCEMENT— ROD AND MAST ASSY., Antenna (Con't)

74-75	Corvette (Conv.)	6258264	1	1.20	GROUND PLATE
73-74	Corvette	3921440	1		GROUND STRAP— (9.663)
73	Corvette	3921444	1	.47	REINFORCEMENT
74-76	Corvette	6258254	1	.34	REINFORCEMENT
73-75	Corvette	3943653	1	3.95	ROD AND MAST ASSY.

9.649 KNOB— SPACER— WASHER, Radio Control

73-76	Corvette	3986829	1	.57	outer, tuning
73-76	Corvette	3986872	1	.57	outer, volume
73-76	Corvette	3986873	A.R.	.95	inner, tone control
73-76	Corvette	3990805	1	.40	SPACER, selector control knob
73-76	Corvette	3961507	2	.05	WASHER, control knob spacer

9.650 RECEIVER ASSY.— SPEAKER, Radio Primary

73-76	Corvette (exc. Stereo)	9344651	1	154.60	
73-76	Corvette w/Stereo	9344661	1	276.30	
73-76	Corvette	7312421	2	10.55	SPEAKER

9.654 CAPACITOR, Radio

74-75	Corvette	346161	1	1.18	CAPACITOR, radio
-------	----------	--------	---	------	------------------

9.663 CAPACITOR ASSY.— NUT— SHIELD— STRAP— SUPPORT, Radio Noise Suppression

73-75	Corvette	1852715	1	1.37	ignition coil
73-74	Corvette	3906187	1	4.16	heater blower motor— (8.852)
73-76	Corvette (350)	3730322	R.H.	.13	NUT, ignition shield lower
73-76	Corvette (350)	3923969	L.H.	4.00	SHIELD, ignition side outer, rear
73-76	Corvette (350)	3980192	R.H.	3.45	SHIELD, ignition side outer, rear
73-74	Corvette (350)	3987341	L.H.	6.25	SHIELD ASSY., ignition side inner
73-74	Corvette (350)	3987342	R.H.	6.25	SHIELD ASSY., ignition side inner
73-74	Corvette (350)	3923965	L.H.		SHIELD ASSY., ignition lower
73-74	Corvette (350)	3934834	R.H.		SHIELD ASSY., ignition lower
73-75	Corvette	3986344	1	4.50	SHIELD ASSY., coil and dist. (cover)
75-76	Corvette	351698	R.H.	6.50	SHIELD ASSY., ignition lower
75-76	Corvette	351697	L.H.	7.25	SHIELD ASSY., ignition lower
75-76	Corvette	354423	L.H.	2.80	SHIELD ASSY., ignition side inner
75-76	Corvette	354422	R.H.	2.80	SHIELD ASSY., ignition side inner
75	Corvette	351696	1	4.50	SHIELD ASSY., coil and dist. cover
73-76	Corvette (350)	3819758	2	.31	SUPPORT, ignition side outer, rear shield rear
73-76	Corvette (350)	3819759	L.H.	.31	SUPPORT, ignition side outer, rear shield front
73-76	Corvette (350)	3819757	R.H.	.31	SUPPORT, ignition side outer, rear shield front
73-74	Corvette (350)	3923963	L.H.	1.35	SUPPORT ASSY., ignition shield, coil and dist.
73-74	Corvette (350)	3923964	R.H.	1.35	SUPPORT ASSY., ignition shield, coil and dist.
73-74	Corvette (454)	3923967	L.H.	.92	SUPPORT ASSY., ignition shield, coil and dist.
73-74	Corvette (454)	3923968	R.H.	1.10	SUPPORT ASSY., ignition shield, coil and dist.
73-76	Corvette	3903410	1	.92	STRAP, ground, antenna
73-76	Corvette	6290663	1	.49	STRAP, ground, door sill reinforcement

9.665 HOUSING, Radio Speaker

74-76	Corvette	3966575	1	1.07	HOUSING
-------	----------	---------	---	------	---------

9.667 BRACKET— NUT, Radio and Stereo Mounting

73-76	Corvette	3921416	1	.20	receiver mounting, upper
73-76	Corvette	3921417	1	1.90	receiver mounting, lower
73-76	Corvette	7279805	2	.10	NUT, receiver mounting at control knobs

9.670 CARTRIDGE UNIT, Tape Player

75	All	994683	1	10.20	tape player
----	-----	--------	---	-------	-------------

9.709 HOUSING ASSY.— ELEMENT— KNOB— REFLECTOR— RETAINER, Cigarette Lighter

55-60	Corvette	3710847	1	1.35	(Casco)
63-75	Corvette	3986869	1	1.31	(Casco)
55-62	Corvette	3710581	1	2.23	ELEMENT, heating (Casco)
63-75	Corvette	3794302	1	3.85	ELEMENT, heating (Casco)
61-63	Corvette	7026520	1	2.90	KNOB, w/element (Roch.)
61-62	Corvette	3782619	1	3.40	KNOB, w/element (Casco)

9.709 HOUSING ASSY.— ELEMENT— KNOB— REFLECTOR— RETAINER, Cigarette Lighter (Con't)

63-64	Corvette	3860974	1		KNOB, w/element (Casco)
65	Corvette	3861472	1	3.28	KNOB, w/element (Casco)
66	Corvette	3876494	1	3.17	KNOB, w/element (Casco)
67	Corvette	3901628	1	1.35	KNOB AND STUD
68-75	Corvette	344804	1	3.06	KNOB, w/element (Casco)
68-76	Corvette	2977777	1	.48	REFLECTOR, lighter light
60	Corvette	538667	1	.22	RETAINER (Casco)
61-63	Corvette,				
68-76	Corvette	3710839	1	.29	RETAINER (Casco)
63-67	Corvette	3794305	1	.22	RETAINER, lighter (Casco)

9.735 TERMINAL— CLIP, Cluster Gauge

69-74	Corvette	6402973	1	.57	temp. gauge to ignition
69-74	Corvette	6402974	1	.57	temp. gauge sender
69-74	Corvette	6430852	1	.57	temp. gauge ground
69-74	Corvette	6473074	1	.57	amp. gauge to generator
69-74	Corvette	6473075	1	.57	amp. gauge to battery
69	Corvette w/Speed Warning	6408978	1	.20	CLIP, speedo head ground

9.743 CASE ASSY.— BEZEL— BODY— CARRIER ASSY.— NUT— PLATE, Instrument

68	Corvette w/speed warning	6480916	1		instr. cluster
68	Corvette	6483386	1	7.75	instr. cluster (console)
69-74	Corvette (exc. speed warning)	6496849	1	6.30	instrument cluster (speedo.)
69-71	Corvette	6491518	1	3.95	instrument cluster (tachometer)
69-73	Corvette (1st design)	6497819	1	7.75	instrument cluster (console) (Note 1)
72-74	Corvette	6496823	1	3.74	instrument cluster (tachometer)
73-75	Corvette (2nd design)	8985385	1	5.12	instrument cluster console (Note 1)
75	Corvette w/4BC (350)	8985673	1	3.70	instrument cluster
68-74	Corvette	6480912	1	16.51	BEZEL, cluster (tach. and speedo.)
68-71	Corvette	6497604	1	27.61	BEZEL, w/stud, cluster console (Note 1)

NOTE 1: It may be necessary to replace door ajar and low fuel filter with 6483387 door ajar wiper o/ride filter

72-75	Corvette	6497604	1	27.61	BEZEL, cluster console
65-67	Corvette	6455502	1	67.36	BODY, instr. case
68	Corvette w/C.A.C.,				
73-76	Corvette w/C.A.C.	6499566	1	36.65	BEZEL ASSY., a/c air dist. duct center outlet
70-71	Corvette	3909593	6	.11	NUT, inst. panel lower pad ("U" shaped spring) (8-18)
68-72	Corvette (exc. C.A.C.)	6491649	1	20.39	PLATE, cluster trim
73-76	Corvette (exc. C.A.C.)	6499565	1	20.39	PLATE, instr. cluster trim

NOTE 1: 2nd design cluster will have electrical oil pressure gauge.

9.744 PLATE— BOOT— BRACKET— CIRCUIT— CLIP— SOCKET, Instrument Case

64-67	Corvette	6455788	1	7.75	cluster main back
75	Corvette w/4BC (350)	8986167	1	1.89	back, cluster
64-67	Corvette	1586219	A.R.	.60	BOOT, high beam and dir. sig. light (3/4" I.D. x 1" O.D.)
69-74	Corvette	6491516	1	.63	BRACKET, instr. cluster (speedo.)
69-73	Corvette	6491517	1	.63	BRACKET, instr. cluster (tach.)
74	Corvette	5658245	1	.63	BRACKET, instr. cluster (tach.)
75	Corvette w/4BC (350)	6495831	1	69.88	PRINTED CIRCUIT, instr. cluster
69-74	Corvette	6481394	1	.50	CLIP, instr. cluster harness (speedo. and tach.)
68-72	Corvette	6288046	1	.21	SOCKET, seat belt warning
68-75	Corvette	5655006	A.R.	.74	SOCKET, instr. cluster (bayonet)

9.746 HOUSING, Instrument Case

68-73	Corvette	6480918	1	1.44	HOUSING, cluster bright tell-tale (tach.)
68-74	Corvette	6496857	1	5.50	HOUSING, cluster bright tell-tale (speedo.)
68-71	Corvette	6481740	1	1.17	HOUSING, seat belt warning tell-tale
72-73	Corvette	6497586	1	.35	HOUSING, seat belt warning tell tale
68-72	Corvette	6481745	1	1.44	HOUSING, low fuel warning tell-tale

9.747 RETAINER, Instrument Face Glass

68-75	Corvette	6496840	1	7.30	cluster (console)
68-74	Corvette	6480914	1	6.96	cluster (speedo. and tach.)

9.748 LENS— CONDUCTOR— SLEEVE— WINDOW, Instrument Case Face

63-67	Corvette	6407930	1	1.53	speedometer and tachometer
63-67	Corvette	6407929	A.R.	.99	amm., gas., oil, and thermo gauge
67	Corvette	6458622	1	4.45	cluster speedo. w/hole
68-74	Corvette	6499912	1		dir. signal tell-tale

**9.748 LENS— CONDUCTOR— SLEEVE— WINDOW, Instrument Case Face
(Con't)**

68-74	Corvette	6480915	1	5.84	cluster (speedo and tach.)
68-75	Corvette	6480852	1	4.31	cluster (console)
68-74	Corvette	6480857	1	.68	bright tell-tale (speedometer)
68-74	Corvette	6480858	1	1.09	bright tell-tale (tachometer)
68-71	Corvette	6481741	1	1.17	seat belt warning tell-tale
72-75	Corvette	6497587	1	1.17	seat belt warning tell tale
68	Corvette	6483387	1	1.21	low fuel warning tell-tale, door ajar and wiper "O" ride tell-tale
69-74	Corvette	6491075	1	1.08	door ajar headlamp tell-tale
73-74	Corvette	6499628	1	1.97	CONDUCTOR , w/S/W switch (light pipe)
63-67	Corvette	6455866	2	.29	SLEEVE , direction signal tell tale window
65-67	Corvette	6457895	1	.16	SLEEVE , cluster tell tale hi-beam
63-67	Corvette	6407110	1		WINDOW , cluster trip odometer

9.749 GASKET— INSULATOR— SEAL— SHIELD, Instrument Case

63-65	Corvette,				
68-74	Corvette	1584799	3	.15	cluster face glass
66-72	Corvette	1582954	A.R.	.33	gas gauge and tell tale lens
67	Corvette	6458623	8	1.38	speedo. and tach. lens
68-74	Corvette	6480860	1	1.09	cluster bezel (speedo and tach.)
68-74	Corvette	6480859	2	.60	bright and directional signal tell-tale housing
69-72	Corvette	6401900	1	.16	INSULATOR , temp. gauge
58-63	Corvette				SEAL , tach. dust gasket,
65-68	Corvette (exc. speed warning)	1588724	A.R.	.27	speedometer case dust

9.750 TACHOMETER ASSY.— BOOT— COUPLING— GEAR— SHAFT ASSY.— WASHER, Tachometer

NOTE For F.I. Distributor tachometer Drive Parts, See Group 3.340, also see group 2.374.

65-67	Corvette (exc. Sp. H/Per., F.I.)	6412222	1	29.10	(0-7000 RPM)
65-67	Corvette (Sp. H/Per. w/mech. lifters, F.I.)	6412223	1	29.10	(0-7000 RPM)
68	Corvette 4BC w/H/Per. (427),				
68	Corvette (327) (exc. H/Per.)	6468710	1	32.92	
68	Corvette w/H/Per. (327)	6468711	1	32.92	
68	Corvette w/3/2BC (427),				
68	Corvette w/H.D. (427)	6468712	1	32.92	
69-71	Corvette (350) (exc. H/Per., Sp. H/Per.)	6469566	1	34.78	
69-71	Corvette w/H/Per. (427, 454)	6469567	1	34.78	
69-70	Corvette w/H/Per. (350)	6469568	1	34.78	
69-70	Corvette w/Sp. H/Per.	6469569	1	34.78	
72-74	Corvette (350) (exc. Sp./H/Per.)	5657519	1	39.89	
72-74	Corvette w/Sp./H/Per. (350) (exc. C.A.C.)	5658153	1	41.97	
72-74	Corvette (Sp./H/Per. w/C.A.C.) (350),				
72-74	Corvette (454)	5657522	1	39.89	
75	Corvette (exc. Sp. H/Per.)	8986119	1	135.00	
75	Corvette w/Sp. H/Per. (350) (exc. C.A.C.)	8986120	1	135.00	
75	Corvette (Sp. H/Per. w/C.A.C.) (350)	8986121	1	135.00	
75	Corvette (exc. Sp. H/Per.)	5658463	1	22.40	TACHOMETER KIT , dial and pointer (repair)
75	Corvette w/Sp. H/Per. (350) (exc. C.A.C.)	5658465	1	22.32	TACHOMETER KIT , dial and pointer (repair)
75	Corvette (Sp. H/Per. w/C.A.C.) (350)	5658464	1	23.03	TACHOMETER KIT , dial and pointer (repair)
62	Corvette	3782356	1	.50	BOOT , tach. flex. shaft— (3.469)
57-60	Corvette (F.I. w/H.L. Cam)	1939939	1	4.83	COUPLING , tach. drive— (3.340)
62-74	Corvette	1956799	1	5.55	COUPLING , dist. tach. cross shaft brg.
55-61	Corvette (8 cyl.)	1930853	1	5.60	GEAR , gen. tach. drive
55-61	Corvette (8 cyl.)	1930852	1	9.05	GEAR , gen. tach. driven (46 teeth)
62-74	Corvette	1955842	1	10.80	GEAR , distr. tach. cross shaft
58	Corvette (1st design) (exc. F.I. w/H.L. Cam)	6452122	1		SHAFT ASSY. , flexible (w/o casing) (66 ¹ / ₈ " long)— (4.342)
58-59	Corvette (2nd design) (exc. F.I. w/H.L. Cam)	6452799	1		SHAFT ASSY. , flexible (w/o casing) (61 ¹ / ₈ " long)— (4.342)

9.750 TACHOMETER ASSY.— BOOT— COUPLING— GEAR— SHAFT ASSY.— WASHER, Tachometer (Con't)

58-62	Corvette (exc. F.I. w/H.L. Cam)	6478128	1	8.91	SHAFT ASSY., flexible (w/casing) (62")— (4.342)
55-57	Corvette (8 cyl.) (exc. F.I.)				SHAFT ASSY., flexible (w/casing), (cable 40 ¹ / ₄ ", casing 39 ¹ / ₂ ")— (4.342)
62	Corvette	6478121	1	6.42	
63-67	Corvette	6478117	1	8.15	SHAFT ASSY., tach. (shaft 24")— (4.342)
68	Corvette	3928769	1	2.65	SHAFT ASSY., flexible (19")
68	Corvette	3937938	1	1.35	SHAFT ASSY., length (20 ¹ / ₂ ")
69-74	Corvette	6477844	1	6.63	SHAFT ASSY., tach. flex. w/casing
53-74	Corvette	6477499	1	3.11	SHAFT UNIT, includes cable and tip 81" long (Note 2)

NOTE 2 Cut to required length.

62-74	Corvette	1956834	1	.07	WASHER, distr. tach. cross shaft gear
-------	----------	---------	---	-----	---------------------------------------

9.761 HEAD ASSY.— BRACKET— KNOB— NUT— SHAFT ASSY., Speedometer and Odometer (Miles)

65-68	Corvette,				
67	Corvette (exc. Speed Warning)	6455367	1	61.46	speedo.
68	Corvette w/Speed Warning	6480910	1	81.68	speedo.
68	Corvette (exc. Speed Warning)	6480911	1	54.27	speedo.
69	Corvette (exc. Speed Warning),				
70-74	Corvette	6496850	1	30.06	speedo.
69	Corvette w/Speed Warning	6492697	1	82.47	speedo.
75	Corvette	8987282	1	67.08	speedo.
68	Corvette	3923940	1	.26	BRACKET, wiring reset shaft
68-76	Corvette	3954281	1	.43	BRACKET, odometer reset shaft and ctsy. lamp
63-67	Corvette	1569776	1	.27	KNOB, trip odometer reset flex. shaft
63-67	Corvette	1564075	1	.74	NUT, trip odometer reset flex. shaft
68-76	Corvette	6476812	1	5.55	SHAFT ASSY., trip odometer reset flex.

9.762 BUZZER ASSY.— CABLE ASSY.— KNOB, Speed Indicator

67-69	Corvette	1386278	1	4.77	
68-69	Corvette w/Speed Warning	6477191	1	5.55	CABLE ASSY., warning buzzer
67	Corvette	6458804	1	2.33	KNOB, reset

9.765 BUTTON— SOCKET— SPRING— SWITCH— TIMER, Filter Seat Belt, Check Doors and Low Fuel Warning Lights

68-71	Corvette	6481742	1	1.79	seat belt warning light push
68-73	Corvette	6288046	1	.21	SOCKET, seat belt wrng. lamp (sedge base)— (9.744)
68-75	Corvette	5655006 A.R.		.74	SOCKET, instr. cluster (bayonet)— (9.744)
68-71	Corvette	6481743	1	.55	SPRING, seat belt warning push button return
68-71	Corvette	6481738	1	11.18	SWITCH, seat belt warning
75-76	Corvette	1726241	1		TIMER ASSY., seat belt warning

9.772 CLOCK— CLIP— CONNECTOR— KNOB— NUT— SLEEVE, Clock

68-74	Corvette	6262640	1	25.50	assy.
75-76	Corvette	356130	1	26.55	
63-67	Corvette	3795327	1	.11	CLIP, clock retaining
65	Corvette (396)	2984528	1	.23	CONNECTOR, ignition switch lead of inst. panel harness— (2.530)
68-76	Corvette	3794017	1	.15	KNOB, reset stem
68-76	Corvette	3794018	1	.22	NUT, reset stem knob (No. 1-72NF-2B thd.)
68-76	Corvette	3928775	1	.11	SLEEVE, clock stem

9.773 LAMP UNIT— SWITCH, Safety Light

All	All (12 volt)	987112	1		portable spot (plugs into cig. lighter)
All	All (12 volt)	3696948	1	1.61	SWITCH, portable spot lamp

9.775 GROMMET

NOTE Some grommets may require the addition of holes.

53-62	Corvette	3719523 A.R.		.20	oil gauge, heat ind. capillary tube, w/s wiper, (rubber— 1 ⁷ / ₁₆ " O.D.— 4" holes)
53-60	Corvette				tach., speedo. flexible shaft, rubber (1 ¹ / ₈ " O.D. x 3 ³ / ₈ " I.D.)
58-62	Corvette				switch wiring harness and switch assy. (9 ³ / ₃₂ ")
68	Corvette	3733380	1		anti-theft alarm system horn grom.
60-62	Corvette	3708175 A.R.		.17	gas tank vent pipe hose, chassis wiring harness assy., folding top wiring harness, license plate lamp wire, gas gauge wire
					speedo. flexible shaft 1 ¹ / ₈ "

BODY MTG.—AIR COND.—INSTRUMENTS

9.775 GROMMET (Con't)

65-66	Corvette w/Sp. H/Per. (396, 427)								
67	Corvette	3711345	A.R.	.17					spark plug wire
63-69	Corvette w/C.A.C.			1					parking brake cable
70	Corvette	3824713			.26				inlet tube at rad. supt. (1 3/16" I.D.)
63-67	Corvette	3838273		1	.35				speedo. flex. shaft
									oil press. gage pipe, wiper switch wire and vacuum hose, rr. wiring harness (2 1/8" O.D.— 4 holes)
65-67	Corvette	3875822		1	.31				speedo. and tach. flex shaft
66-70	Corvette	3873953		2	.15				ignition coil
68-70	Corvette	6437746		2	.40				backing lamp wire, body wiring harn.— (4.197)
68-75	Corvette	3918672		1	.15				park brake cable in underbody, w/s/w nozzle hose
68-69	Corvette	1350657	A.R.	.10					generator and forward lamp wiring harness
69-75	Corvette	3873952		1	.26				underbody stov. compt. lgt. leads
71-74	Corvette	3900894		1	.17				speedo flex shaft
75	Corvette w/C.A.C.	3027215		1	.11				evap. inlet pipe

9.778 MOTOR— BRACKET— CASE— CAPACITOR ASSY.— DUCT— FAN ASSY.— GASKET— GRILLE— KNOB ASSY.— NUT— PLATE ASSY.— REINFORCEMENT— SCREW— SEAL— SHIELD— SPACER— SUPPORT ASSY.— SWITCH ASSY.— WIRE ASSY., Rear Window

68-74	Corvette	4918682		1	22.45				defog. blower
68-76	Corvette (Spt. Cpe.)	3929037		1	2.80				BRACKET, defog. blower
68-74	Corvette	3147661		1	4.20				CASE, blower inlet half
68-74	Corvette	3015035		1	4.20				CASE, blower motor half
68-76	Corvette	3937157		1	5.90				CAPACITOR ASSY., defog. blower motor
68-76	Corvette (Spt. Cpe.)	3925768		1	5.30				DUCT, defog. air outlet
69-70	Corvette (Conv.)	3949951		1	6.35				DUCT, defogging lower
69-75	Corvette (Conv.)	3949954		1	6.00				DUCT, defogging upper
71-75	Corvette (Conv.)	3992145		1	6.00				DUCT, defogging lower
73-75	Corvette (Conv.)	3949954		1	6.00				DUCT, defogging upper
68-74	Corvette	3015287		1	5.40				FAN ASSY.
68-74	Corvette	3015030		1	.19				GASKET, motor mounting
69-75	Corvette (Conv.)	3949955		1	.40				GASKET, defogging air outlet
68-76	Corvette (Spt. Cpe.)	3925766		1	5.00				GRILLE, defog. air outlet
70-75	Corvette (Conv.)	3949937		1	4.30				GRILLE, rr. window defog outlet
68-73	Corvette	3899716		1	1.70				KNOB ASSY., blower switch
70-72	Corvette (Spt. Cpe.)	528846		3	.25				NUT, defog. blower— (12.815)
69-70	Corvette (Conv.)	3949950		1	3.60				PLATE ASSY., defogging tap
71-75	Corvette (Conv.)	3992148		1	3.60				PLATE ASSY., defogging tap
69-75	Corvette (Conv.)	3949956		1	1.10				REINFORCEMENT, defogging lower duct
68-76	Corvette (Spt. Cpe.)	3909073		2	.05				SCREW, defog. air outlet grille
69-75	Corvette (Conv.)	3949953		1	.40				SEAL, defogging lower duct
68-76	Corvette (Spt. Cpe.)	3925770		1	6.35				SHIELD, defog. blower motor
68-74	Corvette	3015031		1	.13				SPACER, motor mounting
71-75	Corvette (Conv.)	3992146		1	5.10				SUPPORT, defogging lower duct
69	Corvette (Conv.)	3949949		1	3.75				SUPPORT ASSY., defogging blower
71-75	Corvette (Conv.)	3992147		1	4.20				SUPPORT ASSY., defogging blower
68	Corvette	3861697		1	4.90				SWITCH ASSY., blower
69-73	Corvette	3942696		1	5.70				SWITCH ASSY., defogger blower
74-76	Corvette	410202		1	3.60				SWITCH ASSY., defogger blower
74-76	Corvette	8908420		1	19.75				WIRE ASSY., defogger blower

9.779 HOSE— DUCT— GRILLE— INLET ASSY.— VALVE ASSY., Defroster

53-72	Corvette	1234988		1	7.90				(3 1/4" I.D. x 72" O.L.)
68-76	Corvette	3909008		1	4.60				DUCT, htr. defroster air outlet
68-76	Corvette	3940249		1	1.98				DUCT, htr. center outlet
73-74	Corvette	333574		1					DUCT, car heater defr. outlet
68-76	Corvette	3915699		1	2.49				GRILLE, defr. outlet
53-62	Corvette	3132000		2	2.60				INLET ASSY., defroster
63-65	Corvette (exc. C.A.C.)								
66-67	Corvette	3832505		1	3.79				INLET ASSY., defroster (brace on slotted end)

9.782 COVER— GASKET— NUT— RETAINER— SEAL— VALVE, Air Duct

68-75	Corvette w/C.A.C. (1st design)	3922431		1	1.43				dash panel air outlet hole, left
68-75	Corvette w/C.A.C. (1st design)	3922432		1	1.43				dash panel air outlet hole, right
68-76	Corvette	3972317		2	.45				GASKET, body rear vent. plenum frame
69-78	Corvette	3949888		2	.73				GASKET, body rear vent. plenum door
68-69	Corvette								NUT, w/l/washer, air cond. evap. ctr. outlet bezel
70-74	Corvette w/4BC (454)	3866846	A.R.	.11					refrig. hose
68-76	Corvette	331965		1	.62				RETAINER, air side outlet deflector

9.782 COVER— GASKET— NUT— RETAINER— SEAL— VALVE, Air Duct (Con't)

69-76 Corvette w/C.A.C. 3942618 1 1.46 VALVE, air inlet plenum

9.784 BRACKET, Air Duct Intake (Outside Air)

68-69 Corvette (Spt. Cpe.) 3926237 L.H. 2.82 body rear vent. plenum
 70-76 Corvette (Spt. Cpe.) (exc. C.A.C.) 3976539 L.H. 2.99 body rear vent. plenum
 70-76 Corvette (Spt. Cpe.) (exc. C.A.C.) 3976540 R.H. 2.99 body rear vent. plenum
 74-76 Corvette (Coupe) 339114 L.H. .10 body rear vent. plenum (Note 1)

NOTE 1: On models w/C.A.C. 3 will be required.

9.786 DUCT— ACTUATOR— ADAPTER— ARM— BAFFLE— BRACKET— CAM— CASE— CLAMP— CLIP— CONNECTOR— DEFLECTOR— DOOR— FELT— HOSE— HOUSING— LINK— PIN— PLATE— SEAL— SHAFT— SPRING— SUPPORT— SPACER— VALVE, Air Flow

68-76 Corvette (exc. C.A.C.) 3956314 1 1.86 air side outlet adap., right
 68-76 Corvette (exc. C.A.C.) 3956313 1 1.97 air side outlet adap., left
 63-67 Corvette 3846156 1 10.90 DUCT ASSY., heater outlet
 69-76 Corvette w/C.A.C. 3946979 1 12.45 DUCT ASSY., heater air dist.
 68-76 Corvette 3963797 1 5.50 DUCT ASSY., car htr.
 69 Corvette (exc. C.A.C.),
 70-72 Corvette,
 73-75 Corvette (exc. C.A.C.) 1998955 1 5.65 ACTUATOR, vacuum defroster
 69-72 Corvette,
 73-74 Corvette (exc. C.A.C.) 1998948 1 4.00 ACUTATOR, heater vac. shut-off
 68-76 Corvette 3954533 1 9.85 ADAPTER, air side outlet deflector, left (Note 1)

NOTE 1 When used in place of 3919549 & 3940595 grind off rivets & remove all linkage & attach. parts including valve asm. Seal all leaks with tape as required. Note do not disturb sponge seal.

68-76 Corvette 3954534 1 9.85 ADAPTER ASSY., right air side outlet (Note 2)

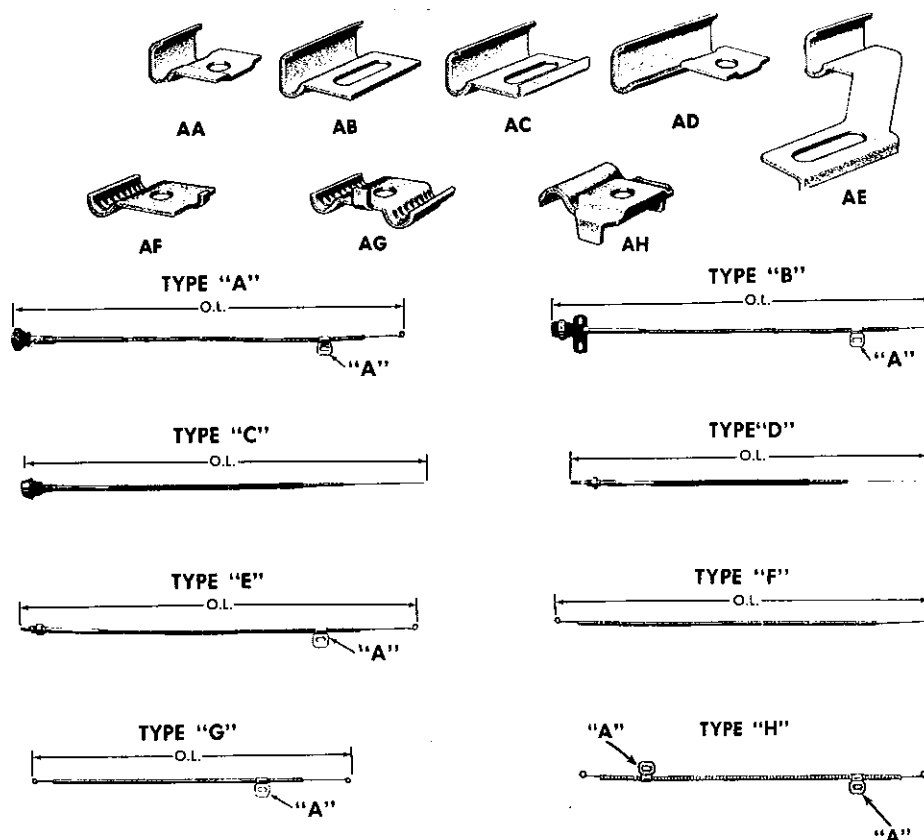
NOTE 2: When used in place of early designs grind off rivets & remove all linkage & attach. parts including valve assy. Seal all leaks with tape as required. Note: Do not disturb sponge seal.

68-76 Corvette w/C.A.C. 3917319 1 .43 ARM, air cond. air inlet side shroud vacuum control
 68-76 Corvette w/C.A.C. 3917330 1 .43 BRACKET, air cond. air inlet side shroud vacuum actuator
 69-76 Corvette w/C.A.C. 3942619 1 .26 BRACKET, air inlet plenum valve
 70-74 Corvette (Spt. Cpe.) (exc. C.A.C.) 3918534 R.H. .22 BRACKET, vent. cable
 70-74 Corvette (Conv.) (exc. C.A.C.) 3962668 R.H. 1.86 BRACKET, vent. cable
 72-74 Corvette (exc. C.A.C.) 3918533 L.H. .22 BRACKET, vent. cable
 63-67 Corvette 3157013 1 1.13 CAM, htr. temp. valve idler
 71 Corvette w/C.A.C. 3023977 1 58.65 CASE, A/C and heater
 61 Corvette 3749810 A.R. .68 CLAMP, heater and defroster hose— (1.166)
 68-74 Corvette w/C.A.C. 3013531 1 .11 CLIP, valve short retainer
 68-70 Corvette w/C.A.C. 3015230 1 .61 CONNECTOR, vacuum link
 68-76 Corvette w/C.A.C. 3906002 1 2.49 DEFLECTOR, A/C air dist. duct deflector
 68 Corvette 3923112 2 .58 DOOR, air side outlet deflector adapter
 68-76 Corvette w/C.A.C. 3906003 A.R. .10 FELT, A/C air dist. duct deflector
 56-62 Corvette 1234989 1 11.25 HOSE, heater and defroster air inlet (4 x 72" O.L.)
 71 Corvette w/C.A.C. 3015215 1 36.40 HOUSING, A/C heater temp. valve
 68-72 Corvette w/C.A.C. 3015225 1 .74 LINK, adjuster
 68-76 Corvette w/C.A.C. 3917318 1 .26 LINK, air cond. air inlet side shroud vacuum actuator
 71-72 Corvette w/C.A.C. 3015231 1 .74 LINK, slave
 68-75 Corvette (exc. C.A.C.) 3937111 1 .16 SEAL, air side outlet duct (5/8" thk.)
 68-74 Corvette w/C.A.C. 3015222 1 .95 SHAFT, w/lever
 71-74 Corvette w/C.A.C. 3019051 1 .90 SHAFT ASSY., A/C 6. level
 68 Corvette w/C.A.C. 3909052 1 .11 SPRING, air inlet plenum valve actuator to link
 73-74 Corvette 3022539 2 .16 SPRING, A/C valve
 73-74 Corvette 3022553 1 .16 SPACER, A/C valve spring
 68-74 Corvette w/C.A.C. 3015232 1 2.20 VALVE, w/seal diverter
 68-74 Corvette w/C.A.C. 3015229 1 5.45 VALVE, w/linkage diverter
 69-74 Corvette w/C.A.C. 3018887 1 10.05 VALVE ASSY., w/shaft, htr. and A/C temp. control
 69-75 Corvette w/C.A.C. 7309782 1 3.23 VALVE ASSY., heater and A/C control defroster and air
 69-74 Corvette w/C.A.C. 3018881 1 36.35 VALVE ASSY., housing and temp
 75 Corvette (exc. C.A.C.) 3018747 1 9.35 VALVE ASSY., w/seal, htr, air

9.787 CABLE ASSY.—CABLE UNIT—BRACKET—CLAMP—HOUSING—KNOB—NUT—RETAINER—ROD—WIRE, Air Flow Control with Tube

NOTE Some cables may be replaced by bulk cables and retainers. Cables with color keyed knobs will be replaced by cables with black knobs.

(TYPICAL)



61-62	Corvette— (A)	3150294	1		heat, defrost and temp. (36" O.L.) (Note 1)
63-66	Corvette (exc. C.A.C.)— (B)	3874729	1	3.73	left (vent. control) (22 ¹ / ₈ " O.L.)
63-66	Corvette (exc. C.A.C.)— (B)	3874730	1	4.79	right (vent. control) (50 ¹ / ₈ " O.L.)
63	Corvette (exc. C.A.C.)				(heat and defroster control)
63-67	Corvette w/C.A.C.— (E)	3851071	1	8.60	(heat and defroster control air cond.) (30" O.L.)
64-67	Corvette w/C.A.C.— (E)	3864605	1	5.55	(blower switch, air inlet control) (38 ³ / ₄ " O.L.)
64	Corvette (exc. C.A.C.)				
65-67	Corvette— (E)	3851071	1	8.60	(htr. defr. and heat cont.) (33 ¹⁵ / ₁₆ " O.L.)
68	Corvette w/C.A.C.— (H)	3940238	1	.90	heater and air cond. defroster control
53-76	Corvette	6258364	1	14.60	CABLE UNIT, vent. htr. air cond. cables (Note 2)
NOTE 2: Unit consists of 13 ft. of housing, 60 ft. of wire and 36 clamps.					
68-74	Corvette w/C.A.C.	3012468	1	.16	BRACKET, adjuster
68-76	Corvette	3918533	L.H.	.22	BRACKET, air vent. cable
68	Corvette,				
69-76	Corvette (Cpe.),				
69	Corvette (Conv.) (1st design)	3918534	R.H.	.22	BRACKET, air vent. cable
69-75	Corvette (Conv.) (2nd design) (exc. C.A.C.)	3962668	R.H.	1.86	BRACKET, air vent. cable
69-74	Corvette w/C.A.C.	3018886	1	3.16	BRACKET, bowden cable temp. valve
58-62	Corvette	3127015	A.R.	.16	CLAMP, heater control cable
53-74	Corvette	3986084	A.R.	RL/.45	HOUSING, control cable (13 ft.)
63-64	Corvette	3783381	1	.54	KNOB, defroster and heat control knob
66	Corvette	3875810	1	1.15	KNOB, contl— (8.852)
67	Corvette (exc. C.A.C.)	3899206	1	.75	KNOB, air vent. control rod and tube
68-69	Corvette (1st design)	3940609	1	1.08	KNOB, air vent (left)
68-69	Corvette (1st design)	3940610	1	1.08	KNOB, air vent (right)

**9.787 CABLE ASSY.— CABLE UNIT— BRACKET— CLAMP— HOUSING—
KNOB— NUT— RETAINER— ROD— WIRE, Air Flow Control with Tube
(Con't)**

69-71	Corvette	8740200	2		KNOB, air side outlet adap.— (10.559)
72	Corvette	3998896	2	.26	KNOB, air side outlet adapter— (10.559)
69-76	Corvette (exc. C.A.C.)	3995093	2	1.27	KNOB ASSY., air vent control
72-74	Corvette (exc. C.A.C.)	381700	1	.05	NUT, body rear vent plenum door rod (5/32") (push-on)
58	Corvette	9413295	1	.13	RETAINER, use w/air inlet knob and cable assy.— (8.934)
68	Corvette w/C.A.C.	3929059	1	.15	RETAINER, A/C air inlet plenum valve link
67	Corvette	3899245	1	4.18	ROD, and tube assy., air vent control, left
68-74	Corvette	3928864	2	2.39	ROD, w/tube, air vent control
<i>NOTE 1 Without clamp A.</i>					
53-74	Corvette	3986027	A.R.	RL/06	WIRE, control cable (60 ft.)

**9.789 DOOR— ACTUATOR— BRACKET— FASTENER— FRAME— GRILLE—
GUIDE— OUTLET— PANEL— PIN— PLATE— ROD ASSY.— SPRING—
STRAP ASSY.— SUPPORT— VALVE ASSY., Cowl**

69-76	Corvette (exc. C.A.C.)	3949885	1	2.35	DOOR ASSY., body rear vent plenum (Note 1)
<i>NOTE 1 On right hand side, plug and relocate 3— 9/64" dia. holes for attaching rear vent plenum door rod bracket. Use 3949964 as a template.</i>					
68-76	Corvette w/C.A.C.	1996505	1	3.48	ACTUATOR ASSY., A/C air inlet side shroud vacuum
69	Corvette,				
70-72	Corvette (exc. C.A.C.)	1998989	1	2.62	ACTUATOR ASSY., body rear vent. plenum door vacuum
73-76	Corvette (exc. C.A.C.)	1996504	1	3.96	ACTUATOR ASSY., body rear vent. plenum door vacuum
69-76	Corvette (exc. C.A.C.)	3949963	1	.29	BRACKET, left, body rear vent. plenum door rod
69-76	Corvette (exc. C.A.C.)	3949964	1	.29	BRACKET, right, body rear vent. plenum door rod
69-76	Corvette	3955982	12	.11	FASTENER, body rear vent. plenum valve to frame
68	Corvette (exc. C.A.C.)	3938094	2	5.40	FRAME, body rear vent. plenum door
68-76	Corvette w/C.A.C.	3940689	2	1.12	FRAME, body rear vent. plenum door
69-76	Corvette (exc. C.A.C.)	3949961	L.H.	1.71	FRAME ASSY., left body rr. vent plenum door
69-76	Corvette (Spt. Cpe.) (exc. C.A.C.)	3949962	R.H.	1.71	FRAME ASSY., right body rr. vent plenum door
69-74	Corvette (Conv.) (exc. C.A.C.)	3949883	L.H.	1.71	FRAME ASSY., left body rr. vent plenum door
63-64	Corvette (exc. C.A.C.),				
65-67	Corvette	3797317	1	1.81	GRILLE, left, vent
63-67	Corvette (exc. C.A.C.)	3797318	1	1.85	GRILLE, right, vent
68-76	Corvette	3942780	4	.10	GUIDE, air vent control lever, console (nylon)
69-76	Corvette (exc. C.A.C.)	3949890	2	.20	GUIDE, body rear vent. plenum door rod
63-66	Corvette (exc. C.A.C.)				OUTLET, ventilation air,
63-67	Corvette (exc. C.A.C.)	3899220	2	2.35	dash panel vent air
68-76	Corvette (exc. C.A.C.)	3922277	1	1.76	OUTLET, left, dash panel air
68-76	Corvette (exc. C.A.C.)	3922278	1	1.86	OUTLET, right, dash panel air
68-72	Corvette (exc. C.A.C.),				
73-76	Corvette	3932810	2	4.11	OUTLET, dash panel vent air
68-76	Corvette	336188	2	4.42	PANEL, air outlet grille
69-76	Corvette (exc. C.A.C.)	3949889	4	.11	PIN, body rear vent. plenum door hinge
69-76	Corvette w/C.A.C.	3895930	1	.10	PIN, air inlet side shroud vacuum control
69-76	Corvette (exc. C.A.C.)	3949892	1	.43	PLATE, body rear vent. plenum door vacuum actuator
69-76	Corvette (exc. C.A.C.)	3949891	1	2.22	ROD ASSY., body rear vent. plenum door
69-76	Corvette w/C.A.C.	3895931	1	.15	SPRING, air inlet side shroud vacuum control
68-76	Corvette (exc. C.A.C.)	3925701	1	.58	STRAP ASSY., left, side outlet adapter duct
68-76	Corvette (exc. C.A.C.)	3925702	1	.58	STRAP ASSY., right, side outlet adapter duct
69-76	Corvette (exc. C.A.C.)	3949893	1	.43	SUPPORT, body rear vent plenum door vacuum actuator
68-76	Corvette (exc. C.A.C.)	3940636	2	2.93	VALVE ASSY., vent. air outlet
68-76	Corvette (exc. C.A.C.)	3955981	4	.43	VALVE ASSY., body rear vent. plenum

9.795 VALVE ASSY., Heater Water Temp.


63-68	Corvette w/C.A.C.	1479664	1	10.25	shut-off
69	Corvette w/C.A.C.	3984641	1	10.00	heater and a/c water valve
70	Corvette w/C.A.C.	3984642	1	10.00	heater and a/c water valve

BODY MTG.—AIR COND.—INSTRUMENTS

9.990 EXTINGUISHER

53-73 Corvette **3907132** 1 9.20 fire (17 ounce dry chem.)

GROUP 10.000
WINDSHIELD —
DOORS —
CONTROLS



WINDSHIELD—DOORS—CONTROLS

10.001 BODY ASSEMBLY (Painted and trimmed with all hardware, less instruments supplied during production year).

BODY SHELL (Less paint, trim, glass, hardware, doors, and rear compartment lid).

Availability and prices will be furnished upon request.

10.027 GLASS—KIT—SPACER, Windshield (Safety)

63-67	Corvette	3878870	1	109.25	(tinted)
68-69	Corvette	3904991	1	110.25	(clear)
68-72	Corvette	3911121	1	138.75	(tinted)
73-76	Corvette	327699	1	138.75	(tinted)
63-73	Corvette	9631000	A.R.	9.85	KIT, adhesive caulking
68-76	Corvette	4871330	2	.10	SPACER (1¹/₃₂" x 7¹/₁₆" x 1)	rectangular rubber

10.051 MOULDING, Windshield Garnish

63-67	Corvette (Spt. Cpe.)	3822528	1	10.30	right, side
63-67	Corvette	3823437	1	2.33	lower
63-67	Corvette (Conv.)	3823441	1	14.40	left, side
64-67	Corvette (Spt. Cpe.)	3841612	1	8.65	upper
64-67	Corvette (Conv.)	3831572	1	6.50	upper
68-76	Corvette (Spt. Cpe.)	333461	1	25.25	upper (black) (paint as reqd.)
68-69	Corvette (Conv.) (2nd design),					
68-75	Corvette (Conv.)	333463	1	25.25	upper (black) (paint as reqd.)
68	Corvette (Conv.) (1st design)	3930421	1	9.05	left, side (black)
68	Corvette (Conv.) (1st design)	3912704	1	10.15	right, side (black)
68-76	Corvette	333431	1	21.05	left, side (black) (paint as reqd.)
68-76	Corvette	333432	1	21.05	right, side (black) (paint as reqd.)
70	Corvette (Spt. Cpe.)	3964199	1		upper (dk. brown)

10.056 BRACKET—CLIP—FASTENER—RETAINER—SPACER, Windshield Garnish Moulding

63-67	Corvette	3829405	1	.15	left, side garnish moulding
63-67	Corvette	3829406	1	.17	right, side garnish moulding
63-67	Corvette	3825990	4	.50	CLIP, lower garnish moulding
68-76	Corvette	3918654	A.R.	.31	FASTENER, side garnish moulding, body hinge pillar inner panel side door inner panel, roof panel, front roof panel headlining trim, front roof inner panel
64-67	Corvette (Spt. Cpe.)	3849130	1	.11	RETAINER, roof panel garn. mldg.
56-62	Corvette	3724128	2	.30	SPACER, side frame to body

10.092 CHANNEL—RETAINER—SEAL—STRIP—WEATHERSTRIP, Windshield Glass (rubber)

56-62	Corvette	3740253	1	8.50	(138 ³ / ₄ " dev. length)
68-76	Corvette	3966639	1	3.21	RETAINER, left w/shield frame w/strip (Note 1)
68-76	Corvette	3966640	1	3.21	RETAINER, right w/shield frame w/strip (Note 1)

NOTE 1 When using 3966639-40 on early 1969 and all 1968 models it may be necessary to grind off 1/2" from top edge for clearance and relocate attaching holes as required.

68	Corvette	3926350	1	1.85	SEAL
63-62	Corvette	3804737	1	2.88	STRIP, frame sealing
63-67	Corvette (Conv.)	3844047	1	7.80	WEATHERSTRIP
63-67	Corvette (Spt. Cpe.)	3844049	1	7.90	WEATHERSTRIP

10.093 MOULDING—BUSHING—RETAINER—WASHER, Windshield Reveal

56-62	Corvette	3716330	1	14.00	lower
63	Corvette (Spt. Cpe.)	3823438	1	4.85	upper
63	Corvette	3823440	1	6.65	lower
63-67	Corvette (Conv.)	3823439	1	19.75	upper
64-67	Corvette (Spt. Cpe.)	3841251	L.H.	8.50	lower, left
64-67	Corvette (Spt. Cpe.)	3841252	R.H.	8.50	lower, right
64-67	Corvette (Conv.)	3841254	1	6.00	lower
64-67	Corvette (Spt. Cpe.)	3841255	1	8.50	upper
64-67	Corvette (Spt. Cpe.)	3859044	2	3.25	corner
68-69	Corvette (Conv.) (2nd design),					
70-76	Corvette	3935577	1	7.55	upper reveal (contains 5 clips)
68	Corvette (1st design)	3966601	L.H.	6.90	left, w/s header corner
68	Corvette (1st design)	3937960	1	19.55	upper reveal and header
68-69	Corvette (Spt. Cpe.),					

**10.093 MOULDING— BUSHING— RETAINER— WASHER, Windshield Reveal
(Con't)**

68-69	Corvette (Conv.) (2nd design),				
70-74	Corvette (Conv.)	3966659	1	10.00	w/s header (Note 1)
	<i>NOTE 1 When using 3966659 in place of 3935640 it is necessary to use 2/3966660 brkts. & drill 2/17 c/sunk holes in each hd. corner mldg. using outer holes of ctr. mldg. as a template.</i>				
68-69	Corvette (Spt. Cpe.),				
68-69	Corvette (Conv.) (2nd design),				
70-76	Corvette	3966601	L.H.	6.90	left, w/s header corner (w/attached bushing)
68-69	Corvette (Spt. Cpe.),				
68-69	Corvette (Conv.) (2nd design),				
68-76	Corvette	3966602	R.H.	6.90	right, w/s header corner (w/attached bushing)
68-73	Corvette	3938157	L.H.	12.90	left, lower outer
68-73	Corvette	3938158	R.H.	12.90	right, lower outer
68-72	Corvette	3966655	L.H.	13.55	left, side reveal
68-72	Corvette	3966656	R.H.	13.55	right, side reveal
73-76	Corvette	331845	L.H.	9.05	left, side reveal
73-76	Corvette	331846	R.H.	9.05	right, side reveal
68-73	Corvette	3962695	1	23.25	center lower reveal
75	Corvette (Conv.)	345464	1	11.00	w/s header
68-75	Corvette	3977779	4	.31	BUSHING , w/s header corner mldg.
63-67	Corvette (Conv.)	3829416	2	.43	RETAINER , body hinge pillar upper w/strip
68-73	Corvette	3922439	2	.10	WASHER , header corner— (12.840)

10.096 CLIP— BRACKET— FASTENER ASSY.— RETAINER ASSY.— SCREW— SPACER, Windshield Reveal Moulding

63	Corvette	3828344	A.R.	.17	upper or lower (Note 1)
	<i>NOTE 1 Used to clip over 3 thicknesses.</i>				
63	Corvette	3830037	1	.17	lower left side
64-67	Corvette (Conv.)	3843938	2	.15	lower, side
68-73	Corvette	3962679	4	.11	lower outer mldg.
68-74	Corvette (Conv.) w/aux. top				back window reveal,
68-76	Corvette	3913937	A.R.	.15	upper, inner
68	Corvette (1st design)	3926240	2	.17	upper, outer
68	Corvette (Spt. Cpe.),				
68-69	Corvette (Conv.) (2nd design),				
70-75	Corvette	3936399	4	.15	upper (outboard) (black)
68-73	Corvette	3938159	2	.10	BRACKET , lower outer reveal
63-67	Corvette (Conv.)	3830287	2	.59	FASTENER ASSY. , side retainer (bolt and spacer)
63-67	Corvette (Conv.)	3830031	2	.59	RETAINER ASSY. , side
63-67	Corvette (Conv.)	3825927	6	.22	RETAINER ASSY. , upper
64-67	Corvette (Spt. Cpe.)	3859045	2	.59	RETAINER ASSY. , corner
64-67	Corvette (Spt. Cpe.)				RETAINER ASSY. , upper and lower,
64-67	Corvette (Conv.)	3904931	A.R.	.17	lower
69	Corvette	9415952	2	.05	SCREW , lower center (8, 977)
68-75	Corvette	4877158	5	.10	SPACER

10.130 PANEL— ACTUATOR ASSY.— BOLT— BOOT— BRACKET— BUMPER ASSY.— BUSHING— CLIP— CONTROL ASSY.— CUSHION— EXTENSION— GROMMET— NUT— PLATE— RELAY ASSY.— REINFORCEMENT— RIVET— ROD— SEAL— SHIM— SOLENOID VALVE— SPRING WASHER— STOP— STUD— VALVE ASSY.— WASHER, Windshield Washer Access Door

68-72	Corvette	3942792	1	56.25	
70	Corvette	5638504	1	24.85	ACTUATOR ASSY. , w/valve to acc. dr.
68-72	Corvette	5638605	1	24.85	ACTUATOR ASSY. , w/valve to acc. dr. (dual piepan shaped) (Note 1)
	<i>NOTE 1: When using 5638605 in place of 5638483 (cylindrical shaped) it may be necessary to purchase mounting reinforcement 3966558. It also may be necessary to purchase 120376, Nut and 3977856, Nut. This eliminates necessity of removing entire windshield wiper door linkage for actuator replacement.</i>				
68-69	Corvette	3945359	2	.48	BOLT , actuator to reinforcement
68-72	Corvette	3945216	4	.95	BOLT (No. 10-24)
68-73	Corvette	3966577	1	.80	BOOT , actuator (3 1/4" long)
68	Corvette (Spt. Cpe.) (exc. C.A.C.),				
68	Corvette (Conv.) (1st design) (exc. C.A.C.)	3926371	1	.48	BRACKET , manual switch mounting (3 1/2" long)— (2.755)
68-73	Corvette	3918519	1	.48	BRACKET , air inlet grille
68-73	Corvette	3930357	1	.65	BRACKET , stop
73-75	Corvette	331838	1	.58	BRACKET , wiper stop
68-73	Corvette	3953013	L.H.	.31	BRACKET , left control arm adjuster
68-73	Corvette	3953014	R.H.	.31	BRACKET , right control arm adjuster
68-73	Corvette	3958714	1	.43	BRACKET , mounting switch— (2.755)

WINDSHIELD—DOORS—CONTROLS

10.130 PANEL— ACTUATOR ASSY.— BOLT— BOOT— BRACKET— BUMPER ASSY.— BUSHING— CLIP— CONTROL ASSY.— CUSHION— EXTENSION— GROMMET— NUT— PLATE— RELAY ASSY.— REINFORCEMENT— RIVET— ROD— SEAL— SHIM— SOLENOID VALVE— SPRING WASHER— STOP— STUD— VALVE ASSY.— WASHER, Windshield Washer Access Door (Con't)

69-70	Corvette	3958813	1	.48	BRACKET, relay
75-76	Corvette	355366	1	.70	BRACKET, w/s/w stop
68-69	Corvette	4406843	2		BUMPER ASSY., panel— (11.381)
69-71	Corvette				panel, door control arm,
72	Corvette	3922010	A.R.	.10	BUSHING, actuator limiter switch, door panel
68-73	Corvette	3922287	5	.15	CLIP, panel and w/s lower center reveal moulding
68-72	Corvette	3953000	1	125.00	CONTROL ASSY., Note 3, 4
					<i>NOTE 3 When using 3953000 in plc. of 3945240 or 3934900 it will be necessary to replace 3948066 actuator drive rod with 3921589.</i>
					<i>NOTE 4 When using 3953000 in plc. of 3934900-3945240-3948073 it will be necessary to use one each of 3953013-3953014.</i>
68-74	Corvette	3930368	1	.20	CUSHION, w/s/w stop
68-73	Corvette	3942787	1	.48	EXTENSION, actuating limited switch push rod
68-72	Corvette	3824485	A.R.	.15	EXTENSION, control arm bracket (Note 5)— (12.840)
					<i>NOTE 5: When using in place of 3926484 SHIM cut and add holes as required.</i>
68-73	Corvette	3922395	1	.15	GROMMET, acutating light switch push rod
68	Corvette	3922014	1	.70	NUT, special adjusting door rod (1 ⁴⁹ / ₆₄ " x 3 ⁷ / ₈ "— 1 ¹ / ₄ "— 20)
69-72	Corvette	3948074	1	1.01	NUT, special adjusting door rod (1 ⁴⁹ / ₆₄ " x 1 ¹ / ₂ "— 1 ⁵ / ₁₆ "— 18)
68-72	Corvette	3930185	1	.48	PLATE, relay
68-72	Corvette	5638427	1	11.50	RELAY ASSY., actuator door— (2.755)
68-69	Corvette	3922347	1	.85	REINFORCEMENT, actuator mounting
68-72	Corvette	3928808	1	.20	REINFORCEMENT, actuator limited switch mounting bracket
68-72	Corvette	3921586	3	.26	REINFORCEMENT, control arm bracket
70-72	Corvette	3966558	1	.85	REINFORCEMENT, actuator mounting
68-76	Corvette	3938119	1	.31	REINFORCEMENT ASSY., stop bracket
68-72	Corvette	3922009	14	.17	RIVET (Note 2)
					<i>NOTE 2 When replacing 3922009 use 1-3940537 spring washer.</i>
68	Corvette	3921589	1	3.04	ROD, actuator drive
69-72	Corvette	3948066	1	3.04	ROD, actuator drive
69-72	Corvette	3966668	3	.94	SEAL, reinf. to plenum
68-72	Corvette	3926483	2	.26	SHIM, actuating door bracket
68-72	Corvette	5638276	1	15.00	SOLENOID VALVE, actuator door, electro vacuum
68-72	Corvette	3940537	A.R.	.10	SPRING WASHER, wiper door linkage
68-72	Corvette	3926326	2	.15	STOP, control
68-72	Corvette	3922392	1	.65	STUD, actuating limited switch adjuster
68-72	Corvette	5638317	1	3.63	VALVE ASSY., w/s/w acc. dr.— (2.760)
68-70	Corvette	3922388	2	.15	WASHER, actuating mtg. reinforcement

10.146 BLADE— INSERT ASSY., Windshield Wiper

53-55	Corvette	3733355	2	3.00	(12 long) (Trico)
55-62	Corvette	3724030	2	3.00	(4 bar type)
63-65	Corvette	3941969	2	3.85	(14 ⁷ / ₈ " long) (Trico)
63-67	Corvette	3779741	2	3.85	(15 ⁵ / ₃₂ " long) (Anco)
66-67	Corvette	3899508	2	3.85	(14 ⁷ / ₈ " long) (Trico) (Note 1)
					<i>NOTE 1 For insert assy. replacement use 3819074.</i>
68-74	Corvette	1664394	A.R.	4.00	(Anco)
68-71	Corvette	3965940	2		INSERT ASSY., blade (Trico) (15 ⁷ / ₈ " long)
64	Corvette	3821753	2	2.50	INSERT ASSY., (Anco) (15 ⁵ / ₃₂ " long)
63-66	Corvette	3819074	2	2.50	INSERT ASSY., (Trico) (14 ⁷ / ₈ " long)

10.147 ARM ASSY.— ROD ASSY., Windshield Wiper

56-62	Corvette	3724032	R.H.	2.87	right
56-62	Corvette	3724031	L.H.	2.87	left
63-67	Corvette	3915861	L.H.	4.55	left (dull)
63-67	Corvette	3915862	R.H.	4.55	right (dull)
68	Corvette	3930355	L.H.	8.00	ROD ASSY., left
68	Corvette	3942736	R.H.	7.00	ROD ASSY., right
69-74	Corvette	3956245	L.H.	13.95	ROD ASSY., left
69-74	Corvette	3965154	R.H.	13.95	ROD ASSY., right
75-76	Corvette	355339	L.H.	13.95	ROD ASSY.
75-76	Corvette	355340	R.H.	13.35	ROD ASSY.

WINDSHIELD—DOORS—CONTROLS

10.150 MOTOR— ARMATURE ASSY.— ARM ASSY.— BOARD ASSY.— BOLT— BRACKET— BRUSH ASSY.— COIL ASSY.— CONTROL UNIT— GROMMET— KIT— MAGNET— PLATE— RELAY ASSY.— SCREW— SPRING— SWITCH— VALVE— WASHER— WIRE ASSY., Windshield Wiper

63-67	Corvette	4909107	1	52.25	(Note 1)
68	Corvette	4918712	1	49.15	(Note 1)
69-72	Corvette	4919437	1	48.50	(Note 1)
73	Corvette	4918342	1	48.50	(Note 2)
74	Corvette	4980974	1	48.50	
75	Corvette	5044814	1		
<i>NOTE 1: Consists of motor, screws, nuts, connector body and instruction sheet.</i>					
<i>NOTE 2: Transfer ground clip from old motor.</i>					
68-75	Corvette	4960317	1	13.60	ARMATURE ASSY., motor
68-72	Corvette	4918587	1	1.20	ARM ASSY., motor crank
63-67	Corvette	4908279	1	2.06	BOARD ASSY., motor terminal
68-74	Corvette	4916882	1	.66	BOARD ASSY., motor terminal
70-75	Corvette	4907157	2	.11	BOLT, motor through
59-66	Corvette w/Sgl. Spd. Motor	4904212	1	.05	BRACKET, brush holder mounting— (10.738)
63-67	Corvette	4904640	2	.55	BRUSH ASSY., motor
68-75	Corvette	4915872	2	.55	BRUSH ASSY., motor
69-75	Corvette	4918810	1	15.35	COIL ASSY., motor field w/case
68-75	Corvette	4916000	1	.11	GROMMET, motor case
68-75	Corvette	4918718	1	2.39	KIT, brush holder and circuit breaker
70-75	Corvette	4903696	1	.05	PLATE, thrust (rubber)
70-75	Corvette	5092145	1	.05	PLATE, thrust (steel)
73-74	Corvette	4919641	1	5.75	MAGNET, with switch
63-67	Corvette	4904339	1	7.45	RELAY ASSY., motor
68-71	Corvette	1115858	1	11.15	RELAY ASSY., w/s/w— (9.277)
59-75	Corvette w/2-Spd.	4906744	1	.11	SCREW, armature end play adj. (1/4" — 28 x 7/8")
68-75	Corvette	4915593	1	.05	SCREW (No. 10— 32 x 3/8")
68-71	Corvette	4913805 A.R.		.18	SPRING, motor brush, door window electric motor brush
71-75	Corvette	4900364	2	.05	SPRING, motor brush
55-57	Corvette w/elect. wiper	5098393	1		SWITCH, motor
68-72	Corvette	4919647	1	5.75	SWITCH ASSY., with terminal board
70-71	Corvette	4919991	1	1.42	VALVE, washer check— (2.780)
70-75	Corvette	5093788	1	.05	WASHER, armature thrust ball (felt)
70	Corvette	8901626	1	3.34	WIRE ASSY., washer jar fluid level indicator and sending unit
71-72	Corvette	8901627	1	2.98	WIRE ASSY., washer jar fluid level indicator and sending unit

10.151 CAP— ARM ASSY.— COVER— CUSHION— GEAR— PAWL— RING— SHAFT— SHIELD— SPRING— WASHER, Windshield Wiper Motor Aux.

68-69	Corvette	4917478	1	.33	motor seal
70-75	Corvette	4919826	1	.33	seal
68-72	Corvette	4918587	1	1.20	ARM ASSY., motor crank
73-75	Corvette	4980743	1	1.20	ARM ASSY., motor crank
68	Corvette				
70-74	Corvette	4918437	1	1.02	COVER, motor gear box
73	Corvette	4919832	1	3.98	GEAR AND SHAFT ASSY.
68-75	Corvette	4914592	1	.23	PAWL, drive
68-75	Corvette	4918079	1	.28	PAWL, locking
63-67	Corvette	4904998	1	.05	RING, drive gear shield retain (to drive shaft)
68-70	Corvette	4911264	1		RING, drive shaft retaining
71-73	Corvette	4960012	1	.05	RING, drive shaft retaining
68-75	Corvette	4960192	1	1.46	SHAFT, drive w/ring
68-69	Corvette	4918638	1	3.98	SHAFT ASSY., drive w/gear
70-75	Corvette	4919832	1	3.98	SHAFT ASSY., drive w/gear
68-69	Corvette	4918265	1	.11	SHIELD (sintered iron) (1st design)
70-75	Corvette	4919828	1	.11	SHIELD (flat steel) (2nd design)
69-75	Corvette	4914596	1	.11	SPRING, locking pawl to drive pawl
68-75	Corvette	4904307	2	.05	WASHER, drive gear shield and eccentric shaft spacer (1 1/32")

10.152 GROMMET— GASKET— PLATE— REINFORCEMENT ASSY., Windshield Wiper Motor Mounting Parts

68-75	Corvette	4911142 A.R.		.37	w/spacer
68-73	Corvette	4914625	1	.33	w/ground strap
63-73	Corvette	542675	1	.16	GASKET
58-62	Corvette	4651976	1	6.00	PLATE, w/pulley
68-76	Corvette	3918599	1	.80	REINFORCEMENT ASSY

WINDSHIELD—DOORS—CONTROLS

10.153 BRACKET— BELLOWS— BOARD UNIT— CAM— CAP— COIL ASSY.— CO-ORDINATOR ASSY.— COVER— FILTER NUT— GASKET— PAWL— PISTON ASSY.— PUMP ASSY.— RATCHET AND SPRING PACKAGE— RING— REINFORCEMENT ASSY.— RESERVOIR— SCREW— SPRING— VALVE ASSY.— VALVE BODY, Windshield Washer

NOTE For other W/S washer parts, see Group 10.157.

69-72	Corvette	3956079	1	.15	arm control switch
63-67	Corvette	4914074	1	.73	BELLOWS, pump valve
68-74	Corvette	4918686	1	2.39	BOARD UNIT, pump terminal
63-67	Corvette	4906931	1	.36	CAM (14 lobe)
68-73	Corvette	4918071	1	.37	CAM, pump
73-74	Corvette	4960408	1	.48	CAM AND RING UNIT
75	Corvette	4961310	1	.17	CAP, reservoir
70-71	Corvette	4919674	1	8.85	COIL ASSY., headlamp washer solenoid
58-62	Corvette	3752818	1	3.50	CO-ORDINATOR ASSY.
68-74	Corvette	4918593	1	.27	COVER, pump
68-74	Corvette	4918320	1	.11	GASKET, pump
75	Corvette	4961308	1	.10	GASKET, pump
75	Corvette	4961309	1	.26	FILTER NUT, pump
63-67	Corvette	4914935	1	.18	PAWL UNIT, pump ratchet
68-74	Corvette	4918446	1	.18	PAWL UNIT, pump
68-74	Corvette	4918445	1	3.98	PISTON ASSY., pump
68-73	Corvette	4919630	1	18.40	PUMP ASSY. (3 port)
70-71	Corvette w/Hd. Lamp Washer	4939246	1	16.95	PUMP ASSY. (5 port)
74	Corvette	4961115	1	18.40	PUMP ASSY. (3 port)
75	Corvette	4961623	1	11.70	PUMP ASSY.
63-67	Corvette	4909111	1	18.40	PUMP PACKAGE (Note 1)
<i>NOTE 1 Includes Pump Assy., Cover, Gasket, 2-Screws, 2-L/Washers and 2-Nuts.</i>					
68-74	Corvette	4939314	1	.23	RATCHET AND SPRING PACKAGE
68-73	Corvette	4913242	1	.05	RING, ratchet and cam retainer
69-72	Corvette	3956232	1	.77	REINFORCEMENT ASSY., arm control switch
75	Corvette	4961353	1	3.26	RESERVOIR, pump
68-74	Corvette	4914358	1	.05	SCREW, pump dog spring
68-74	Corvette	4918069	1	.05	SPRING, pump dog
63-67	Corvette,				
69-74	Corvette (exc. Hd. Lamp Washer)	4914356	1	3.05	VALVE ASSY., pump
70-71	Corvette w/Hd. Lamp Washer	4939187	1	3.34	VALVE ASSY., pump
70-71	Corvette	4919676	1	5.90	VALVE BODY, headlamp washer solenoid

10.154 JAR— BRACKET— CAP— CLIP— CONDUCTOR— EXTENSION— FILTER— HOUSING— LEVEL INDICATOR— RESERVOIR ASSY.— SHIELD, Windshield Wiper

53-55	Corvette (6 cyl.)	3692419	1	1.50	washer (Trico 82895)
63-70	Corvette (exc. C.A.C.)	3840083	1	1.75	washer (white)
70-71	Corvette (exc. C.A.C.),				
72-74	Corvette	3990892	1	2.25	JAR ASSY., washer
68	Corvette w/C.A.C.	3921436	1	.85	BRACKET, washer reservoir
69-72	Corvette w/C.A.C.	3954251	1	.85	BRACKET, washer reservoir
70-72	Corvette (exc. C.A.C.)	3976510	1	.96	BRACKET, washer jar
73-74	Corvette	334778	1	.96	BRACKET, washer jar
71-72	Corvette (exc. C.A.C.)	3976543	1	1.13	BRACKET, washer jar extension
73-74	Corvette	334776	1	.39	BRACKET, washer jar extension
75-76	Corvette	344809	1	1.00	BRACKET, motor pump and jar
75-76	Corvette	344811	1	.26	BRACKET, motor pump and jar extension
66	Corvette,				
68-69	Corvette (exc. C.A.C.)	548935	1	.96	BRACKET ASSY., washer jar
63-67	Corvette w/C.A.C. (396)	3833218	1	1.65	BRACKET ASSY., washer jar
67-69	Corvette,				
73-76	Corvette	3798372	1	.39	CAP, washer jar
70-72	Corvette	1231266	1	.17	CAP, washer jar
70-73	Corvette	3977709	1	.15	CLIP, headlamp and washer vacuum pipe
71-72	Corvette	8901484	1	4.77	CONDUCTOR, jar level (fiber optic)
71-72	Corvette (exc. C.A.C.)	3976541	1	1.71	EXTENSION, washer jar
73-74	Corvette	334775	1	1.80	EXTENSION, washer jar
72-76	Corvette	344810	1	1.87	EXTENSION, motor pump and jar
65-74	Corvette	3986821	1	.28	FILTER, washer jar hose water
65-72	Corvette	8900644	1	1.43	HOUSING, jar fluid indicator
71-72	Corvette	8900646	1	4.24	LEVEL INDICATOR, w/sending unit, washer jar fluid
63-67	Corvette w/C.A.C.	3903407	1	1.92	RESERVOIR ASSY.
68	Corvette w/C.A.C.	3927347	1	2.08	RESERVOIR ASSY.
69-72	Corvette w/C.A.C. (exc. fluid level ind.)	3961549	1	3.89	RESERVOIR ASSY. (6 ⁵ / ₁₆ " offset)
75	Corvette	4961311	1	3.22	RESERVOIR, w/s/w
75	Corvette	4961312	1	3.22	RESERVOIR, w/s/w pump

WINDSHIELD—DOORS—CONTROLS

10.154 JAR— BRACKET— CAP— CLIP— CONDUCTOR— EXTENSION— FILTER— HOUSING— LEVEL INDICATOR— RESERVOIR ASSY.— SHIELD, Windshield Wiper (Con't)

69-72 Corvette w/C.A.C. 3954252 1 .95 SHIELD, washer reservoir

10.155 TEE— CLIP— CONNECTOR, Windshield Wiper Pipe

NOTE. For hose and tubing see group 10.154 and 8.964.

53-55 Corvette (6 cyl.)
 58-62 Corvette 3694818 1 .78 suction pipe connector ("Y" shape), 1/4" line, 7/32" take-off plastic
 58-62 Corvette spray connector ("T" shape) 1/8" line and take-off (nylon),
 63-64 Corvette w/C.A.C. 1477536 1 .29 vacuum control switch hose
 65-67 Corvette 336013 1 .95 w/s/w check valve (3/8"— 18 pipe thd. 1 1/4" hose take-off— (7.447)
 70-71 Corvette 3760758 1 .49 hdlp. washer spray noz.
 74-76 Corvette 1488359 1 .31 CLIP, headlamp, washer and vapor cannister vacuum hose
 70-71 Corvette 4919539 1 .11 CONNECTOR, hd. lamp washer hose

10.156 NOZZLE ASSY., Windshield Wiper

63-67 Corvette 3824042 2 washer spray
 68 Corvette 3937631 L.H. .58 left washer spray
 68 Corvette 3937632 R.H. .64 right washer spray

10.159 TRANSMISSION— SPACER, Windshield Wiper

56-62 Corvette 3767951 L.H. 13.50 left (w/cable)
 58-62 Corvette 3748614 R.H. 13.50 right (w/cable)
 63-67 Corvette 4911516 R.H. 11.44 right
 63-67 Corvette 4911517 L.H. 11.80 left
 68-76 Corvette 4919036 R.H. 18.95 right
 68-76 Corvette 4918792 L.H. 21.00 left

10.160 GASKET— ESCUTCHEON— REINFORCEMENT— RETAINER, Windshield Wiper Transmission

58-62 Corvette 3746147 2 .11 (rubber)
 58-62 Corvette 3746145 2 1.35 ESCUTCHEON (chrome)
 68-76 Corvette 3921577 2 .22 REINFORCEMENT, inner
 69-76 Corvette 3956285 L.H. .85 REINFORCEMENT, left outer
 69-76 Corvette 3956286 R.H. .85 REINFORCEMENT, right outer
 63-67 Corvette 531848 1 .15 RETAINER, link assy., to motor assy., trans. assy.
 64-65 Corvette 4912427 A.R. .11 RETAINER, trans. assy. (used w/3/16" dia. stud)

10.163 CONTROL— CONDUCTOR— BRACKET— BUSHING— NUT— ROD— SWITCH ASSY.— VALVE ASSY., Windshield Wiper

58-62 Corvette 3743413 1 7.50 w/cable and stem protruding from body
 73-74 Corvette 6499626 1 1.97 CONDUCTOR, wsw sw (light pipe) (9.748)
 68-72 Corvette 3928809 1 .39 BRACKET, access door actuator limited switch
 68-76 Corvette 3954231 1 .15 BUSHING, switch
 63-67 Corvette 3820531 1 .23 NUT, control switch
 68-72 Corvette 3922390 1 1.55 ROD, access door actuator limited switch push
 63-64 Corvette 1993543 1 3.82 SWITCH ASSY.
 65-66 Corvette w/2-Spd. 1993678 1 4.44 SWITCH ASSY.
 67 Corvette 1993394 1 3.51 SWITCH ASSY.
 68 Corvette 1993441 1 3.27 SWITCH ASSY., door control
 68-72 Corvette 3951280 1 4.26 SWITCH ASSY., wiper limit
 68-75 Corvette 1993481 1 8.55 SWITCH ASSY.
 69 Corvette w/C.A.C. 1993484 1 6.65 SWITCH ASSY., arm control
 69 Corvette (exc. C.A.C.) 1993483 1 4.65 SWITCH ASSY., arm control
 70-72 Corvette 3975371 1 2.92 SWITCH ASSY., wiper control
 69-72 Corvette 5638487 1 6.90 VALVE ASSY., arm control (inner-locking)

10.164 KNOB, Windshield Wiper Control

56-60 Corvette 1991001 1 .31 (16.067)
 61-62 Corvette 1990993 1 1.38 wiper and washer
 63-64 Corvette 1990992 1 1.32 wiper and washer
 65 Corvette 3859222 1 .59 washer switch
 66 Corvette 3876459 1 1.36 wiper
 67 Corvette 3906148 1 1.18
 68-76 Corvette 6270690 1 .68
 68-72 Corvette 1991064 1 .53 KNOB ASSY., wiper override switch— (16.067)

WINDSHIELD—DOORS—CONTROLS

10.185 MIRROR ASSY.— MIRROR UNIT— BODY ASSY., Rear View

58-62	Corvette	3783306	1	6.65	inside
63-73	Corvette	911957	1	7.40	inside
73	Corvette	911686	1	13.50	inside, w/map lamp
74-75	Corvette	911580	1		inside
74-76	Corvette	899805	1	14.45	inside w/map lamp
53-67	Corvette	3840784	1	9.50	MIRROR UNIT, outside
68-75	Corvette	3941860	L.H.	9.50	MIRROR UNIT, outside
74-75	Corvette	334772	R.H.		MIRROR, outside
76	Corvette	345493	L.H.	9.50	MIRROR, outside
73-74	Corvette	5965503	1	3.85	BODY ASSY., mirror w/map light

**10.186 BRACKET— BUSHING— GASKET— GROMMET— LENS— PLATE ASSY.—
RETAINER— SCREW— SHIM— STRIKER, Rear View Mirror**

68-76	Corvette	3926378	1	3.57	header lock and inside (ball socket)
68-76	Corvette (Spt. Cpe.)	3934906	1	3.54	
68-76	Corvette	3922027	L.H.	.80	outside mounting
73-75	Corvette	334790	R.H.	3.20	outside mirror
63-76	Corvette	565801	1	.05	BUSHING, rear view mirror stud
68-76	Corvette	3914599	L.H.	.21	GASKET, outside
73-75	Corvette	334774	R.H.	.44	GASKET, outside mounting
73	Corvette	5965502	1	.25	GROMMET, inside map light mirror
73-76	Corvette	5961836	1	1.25	LENS, map light
63-67	Corvette	3839810	1	.70	PLATE ASSY., outside mounting
68-76	Corvette	3928379	1	.26	RETAINER, head lock and inside bracket
53-76	Corvette	3839808	1	.43	SCREW, outside mirror to mtg. bracket (socket head) (10— 24 x 3/4")
63-64	Corvette	3903176	1	.12	SCREW, outside mirror to mtg. brkt.
63-76	Corvette	565842	1	.05	SCREW (oval hd. cr. recess) (No. 10— 32 x 9/16")
68-76	Corvette (Spt. Cpe.)	3934997	1	.10	SHIM, bracket
68-75	Corvette (Conv.)	3934909	1	4.80	STRIKER, header lock & inside

10.187 SUPPORT— COVER— GROMMET, Rear View Mirror, Inside

58-62	Corvette	3747942	1	7.20	
63-67	Corvette	3912412	1	4.45	
67	Corvette	3911119	1	1.80	COVER, support (Note 1)
70-72	Corvette	3966360	1	1.80	COVER, support (Note 1)
68-76	Corvette	333469	1	2.95	COVER, support (Note 1)
76*	Corvette	368471	1		COVER, mirror support (firethorn)
74	Corvette	5965502	1	.25	GROMMET, map mirror and lamp wire

NOTE 1 Paint as required.

10.203 SUNSHADE ASSEMBLY

NOTE See Dealer Price Schedule (P&A 26) for applicable prices.

WINDSHIELD—DOORS—CONTROLS

1967 CORVETTE

	IVORY (Comb. 450, 455)	BLACK
CONV.— L. CONV.— R. SPT. CPE.— L or R	3904923	3904901 3904902

1968 CORVETTE

BLACK	
3913947	

NOTE All are quantity of 2 Left or Right.

69-73 Corvette	333473	2	14.45	black (paint as required)
74-75 Corvette	342253	2	15.30	(paint as reqd.)

10.219 SUPPORT— NUT— SCREW, Sunshade

63-67 Corvette	3830488	A.R.	.70	inner and outer
68 Corvette (Conv.) (1st design) ...	3930451	L.H.	1.01	left (inboard) (1 1/2" offset)
68 Corvette (Conv.) (1st design) ...	3930452	R.H.	1.01	right (inboard) (1 1/2" offset)
68 Corvette (Conv.) (1st design) ...	3930453	L.H.	1.01	left (outboard) (1 1/8" offset)
68 Corvette (Conv.) (1st design) ...	3930454	R.H.	1.01	right (outboard) (1 1/8" offset)
68 Corvette (Spt. Cpe.)				
68 Corvette (Conv.) (2nd design) ...	3952417	L.H.	1.01	left (inboard) (1" offset)
68 Corvette (Spt. Cpe.)				
68 Corvette (Conv.) (2nd design) ...	3952418	R.H.	1.08	right (inboard) (1" offset)
68 Corvette (Spt. Cpe.)				
68 Corvette (Conv.) (2nd design) ...	3952419	L.H.	1.08	left (outboard) (3/4" offset)
68 Corvette	3952420	R.H.	1.01	right (outboard) (3/4" offset)
69-76 Corvette	3952981	L.H.	4.07	left, inboard
69-76 Corvette	3952982	R.H.	4.07	right, inboard
69-76 Corvette	3952983	L.H.	4.07	left, outboard
69-76 Corvette	3952984	R.H.	4.07	right, outboard
59-68 Corvette	3762582		.31	NUT (special barrel— No. 4— 40)
59-68 Corvette	3834928		.26	SCREW (special— No. 4— 40 x 3/8")

10.230 PANEL— BRACE ASSY.— EXTENSION— EYELET— REINFORCEMENT, Instrument Panel to Dash

63-67 Corvette	3833172	R.H.	6.90	right, console trim (plastic)
63-66 Corvette	3850045	L.H.	6.65	left, console trim (plastic) (Note 1)
<i>NOTE 1 When using with radio option add opening for radio antenna switch assy.</i>				
63-67 Corvette	3894579		27.65	(plastic laminate) (paint as required)
67 Corvette	3899241	L.H.	5.75	left, panel trim
67 Corvette	3899242	R.H.	6.45	right, panel trim
69-76 Corvette	333541	L.H.	13.80	inst. side trim (paint as reqd.)— (14.655) ...
68 Corvette	3945221	L.H.	16.05	PANEL ASSY. , side trim (saddle)
69-72 Corvette	3966358	R.H.		PANEL ASSY. , side trim (Note 2)
73-76 Corvette	333542	R.H.	12.50	PANEL ASSY. , side trim (comb. 400, 404, 425, 413, 415, 416) (black)
75 Corvette w/C.A.C.	355390		86.40	PANEL
63-64 Corvette	3839140		26.50	BRACE ASSY. , dash— (4.648)
63-67 Corvette	3797129		10.25	EXTENSION (plastic) left panel
68-72 Corvette	3824485	A.R.	.15	EXTENSION , instrument panel pad upper and lower (Note 2)— (12.840)

NOTE 2: When using in place of 3919637-38-39 Bracket cut and add holes as required.

68-69 Corvette	3919722	R.H.	10.25	EXTENSION , right, lower dash
68-69 Corvette	3919721	L.H.	10.25	EXTENSION , left, lower dash
70-72 Corvette	3963165	L.H.	10.25	EXTENSION , left, lower dash
70-72 Corvette	3963166	R.H.	10.25	EXTENSION , right, lower dash
73-76 Corvette	331801		10.25	EXTENSION , left dash lower
73-76 Corvette	331802		10.25	EXTENSION , right dash lower
68-74 Corvette	3934285		.05	EYELET , lower pad
70-76 Corvette	3974011		.22	REINFORCEMENT , dash panel upper pan ..

10.240 BRACE— BRACKET— REINFORCEMENT— SUPPORT, Seat Separator

68 Corvette (Conv.)				
69-75 Corvette (Conv.) w/C.A.C.	3942731		1.01	underbody to dash panel
76* Corvette	362968			BRACKET , frt. console supt. to underbody ..
76* Corvette	362970			BRACKET , underbody tunnel frt. console supt.

WINDSHIELD—DOORS—CONTROLS

**10.240 BRACE— BRACKET— REINFORCEMENT— SUPPORT, Seat Separator
(Con't)**

68-76	Corvette	3918660	1	.84	REINFORCEMENT, underbody tunnel front console (1/32" thick)
68	Corvette (Conv.),				
69-75	Corvette (Conv.) w/C.A.C.	3942727	1	10.60	REINFORCEMENT, underbody tunnel front 3/32" thick
68-76	Corvette	339174	1	.64	SUPPORT, underbody tunnel front console to underbody

10.242 BUMPER— ESCUTCHEON, Seat Separator

69-70	Corvette (Spt. Cpe.)	3827411	1	.10	seat separator compt. door (27/32" O.L.)
	Not req. in this group. See Group 2.670, 7.800				
		3755922			

10.252 MOULDING— PLATE, Instrument Panel

58-62	Corvette	3742557	1	6.35	lower (chrome)
63	Corvette	3823340	1	4.20	PLATE, center console lower trim, right

10.256 SCREEN— BEZEL— COVER ASSY., Radio Instrument Panel

60-62	Corvette	3771917	1	1.55	grille
63-67	Corvette	3797352	1	8.55	grille
60-62	Corvette	3771918	1	1.68	BEZEL, radio speaker grille
68-76	Corvette (exc. Radio)	3928819	1	13.80	COVER ASSY., radio hole

10.260 BOX— BRACKET— FRAME— TRAY, Instrument Panel Compartment

63-67	Corvette	3837624	1	2.24	
59-62	Corvette	3762210	3	.11	BRACKET, tray (steel)
59-62	Corvette	3762209	1	23.30	TRAY (laminated plastic)

10.261 DOOR ASSY., Instrument Panel Compartment

63-67	Corvette	3874599	1	23.45	
-------	----------	---------	---	-------	--

10.262 GROMMET— NUT ASSY.— SCREW, Instrument Panel Compartment Door

63-67	Corvette	6280978	2	.10	GROMMET, check rod
63-67	Corvette	3831934	A.R.	.10	NUT ASSY. ("U" shape) 1/4-20
63-65	Corvette	3725168	A.R.	.10	SCREW, hinge, lock striker (No. 10-12 x 7/16")
64-67	Corvette	3832351	6	.10	SCREW, frame (No. 1/4" — 20 x 5/8")

10.266 CASE— CYLINDER— KEY, Instrument Panel Compartment Door

68-75	Corvette	8869811	1	1.20	underbody storage compt. lock (B&S 603446)
56-62	Corvette	7677698	1		CASE ASSY., separator compt. door lock
63-67	Corvette	1380873	1	1.12	CASE ASSY., seat separator compt. door lock cylinder case assy.
64	Corvette	3732065	1		CASE ASSY., long-chrome (Note 1)
	<i>NOTE 1 With lock cylinder and keys complete, coded to no specified key number.</i>				
56-62	Corvette	4818080	1	1.18	CYLINDER, seat separator compt. lock (uncoded)
56-57	Corvette,				
63-66	Corvette	4566764	1	1.18	CYLINDER, compt. door lock (uncoded-less keys)
68	Corvette,				
72	Corvette	7778996	1	1.28	CYLINDER, underbody storage compt. lock (uncoded)
75	Corvette,				
67	Corvette				CYLINDER ASSY., instr. panel door lock,
71	Corvette,				
75	Corvette	7645831	1	1.40	underbody storage compt. lock (B&S 603390)
69-74	Corvette	8717639	1	1.28	CYLINDER ASSY., storage compartment latch (uncoded) (B&S 604116)
70	Corvette,				
74	Corvette	3981869	1	1.23	CYLINDER ASSY., storage compartment lock (uncoded) (B&S 604663)
69	Corvette,				
73	Corvette	8723333	1	2.13	CYLINDER ASSY. (B&S 604149)
53-65	Corvette	3694624	1	.15	KEY, blank (octagon head)

10.267 ESCUTCHEON— RETAINER, Instrument Panel Compartment Door Lock

63-68	Corvette	3919787	1	.11	RETAINER, underbody storage center compt. lock
68-76	Corvette	3937912	3	.10	RETAINER, underbody storage compt. lock

WINDSHIELD—DOORS—CONTROLS

10.268 STRIKER, Instrument Panel and Seat Separator Compartment Lock

63-67 Corvette 3841222 1 1.28

10.275 LENS— NUT— SCREW— SUPPORT— SWITCH ASSY., Instrument Panel Compartment, Seat Separator Compartment and Courtesy

68-76 Corvette 3880976 1 .75 rear compt. lamp
 72-76 Corvette 528846 3 .25 NUT, courtesy lamp support— (12.815)
 74 Corvette 3919011 1 SCREW, a/c air dist. duct center outlet
 68-75 Corvette 3935929 1 .20 SUPPORT, right courtesy lamp
 56-69 Corvette 3859328 1 SWITCH ASSY., instr. panel & seat separator compt.
 68 Corvette 3879695 1 1.41 SWITCH ASSY., seat separator compt.
 69-76 Corvette 3952485 1 1.36 SWITCH ASSY., rear storage compt.

10.331 GASKET— WEATHERSTRIP, Cowl Ventilator

NOTE. Refer to group 12.800-for these parts.

10.351 DOOR— PANEL, Front (Less Paint, Trim and Hardware)

63-67 Corvette (Conv.) 3912051 1 115.00 left
 64-67 Corvette (Spt. Cpe.) 3912055 1 174.00 left
 64-67 Corvette (Spt. Cpe.) 3912056 1 174.00 right
 63-67 Corvette (Conv.) 3903558 1 55.95 PANEL, side door outer, right
 63-67 Corvette (Conv.) 3903557 1 55.95 PANEL, side door outer, left
 64-67 Corvette (Spt. Cpe.) 3854679 1 55.95 PANEL, side door outer, left (Note 2)

NOTE 2 When installing on 1964 models also use 3854681 Reinforcement, 3854683 Rod, 3854687

Gasket, 5714778 Shaft, 5719092 Washer.

64-67 Corvette (Spt. Cpe.) 3854680 1 55.95 PANEL, side door outer, right (Note 3)

NOTE 3 When installing on 1964 models also use 3854682 Reinforcement, 3854684 Rod, 3854687

Gasket, 5714778 Shaft, 5719092 Washer, 5719142 Handle.

68 Corvette 3932825 1 140.00 PANEL ASSY., left, side door
 68 Corvette 3932826 1 140.00 PANEL ASSY., right, side door
 69-74 Corvette (Spt. Cpe.) 327601 L.H. 155.75 PANEL ASSY., left, side door (Note 1)

NOTE 1: When using 3948081 in plc. of 3966587 to exh. stock, it will be necessary to cut .30 inch from upr. edge of otr. panel to provide clearance to side dr. glass rr. weatherstrip, also add an .18 inch dia. hole for attaching si. dr. weatherstrip at rr. edge.

69-72 Corvette (Spt. Cpe.) 3966588 1 PANEL ASSY., side door R.H.
 69-75 Corvette 359694 R.H. PANEL, side door outer
 69-75 Corvette 359693 L.H. PANEL, side door outer
 70-74 Corvette (Conv.) 327612 R.H. 153.50 PANEL ASSY., side door
 73-74 Corvette (Spt. Cpe.) 327602 R.H. 146.25 PANEL ASSY., side door
 70-74 Corvette (Conv.) 327611 L.H. 153.50 PANEL ASSY., side door
 75-76 Corvette (Spt. Cpe.) 359692 R.H. PANEL ASSY., side door
 75-76 Corvette (Spt. Cpe.) 359691 L.H. PANEL ASSY., side door
 75 Corvette (Conv.) 362904 R.H. PANEL ASSY., side door
 75 Corvette (Conv.) 362903 L.H. PANEL ASSY., side door

10.355 COVER— DIVERTER ASSY.— GASKET— LINER, Front Panel Access Hole

68-76 Corvette 3922279 1 1.12 left, inner side
 68-76 Corvette 3922280 1 1.12 right, inner side
 74-76 Corvette 342296 R.H. 2.45 DIVERTER ASSY., body lock pillar water ...
 74-76 Corvette 342295 L.H. 2.45 DIVERTER ASSY., body lock pillar water ...
 68-76 Corvette 3947947 L.H. 1.45 GASKET, left, inner panel
 68-76 Corvette 3947948 R.H. 1.45 GASKET, right, inner panel
 68-76 Corvette 3912971 1 3.84 LINER, left, waterproof liner
 68-76 Corvette 3912972 1 3.63 LINER, right, waterproof liner

10.450 HINGE— COVER— GASKET— PIN— SHIM, Front Door, Upper

63-67 Corvette 3797171 4 18.45
 68-76 Corvette 327627 L.H. 10.75 left, upper
 68-76 Corvette 327628 R.H. 10.75 right, upper
 68-76 Corvette 3977701 L.H. 5.50 lower
 68-76 Corvette 3977702 R.H. 5.50 lower
 68-76 Corvette 3919667 L.H. .20 COVER, upper hinge
 68-76 Corvette 3919668 R.H. .20 COVER, upper hinge
 68-76 Corvette 3934836 2 .50 GASKET, upper side door hinge cover
 68-72 Corvette 3718497 2 PIN, side door hinge— (16.323)
 63-67 Corvette 3833099 A.R. .11 SHIM, hinge
 68-74 Corvette 3915706 A.R. .10 SHIM, hinge

10.463 BOLT— SCREW, Door Hinge to Hinge Pillar

53-61 Corvette 4770011 8 front door, hinge to door (5/16"— 24 x 1 5/8")
 56-62 Corvette 4714804 A.R. .17 SCREW, hinge to hinge pillar, frt. dr., upper and lower hinge to body (w/washer) (5/16"— 24 x 7/8")

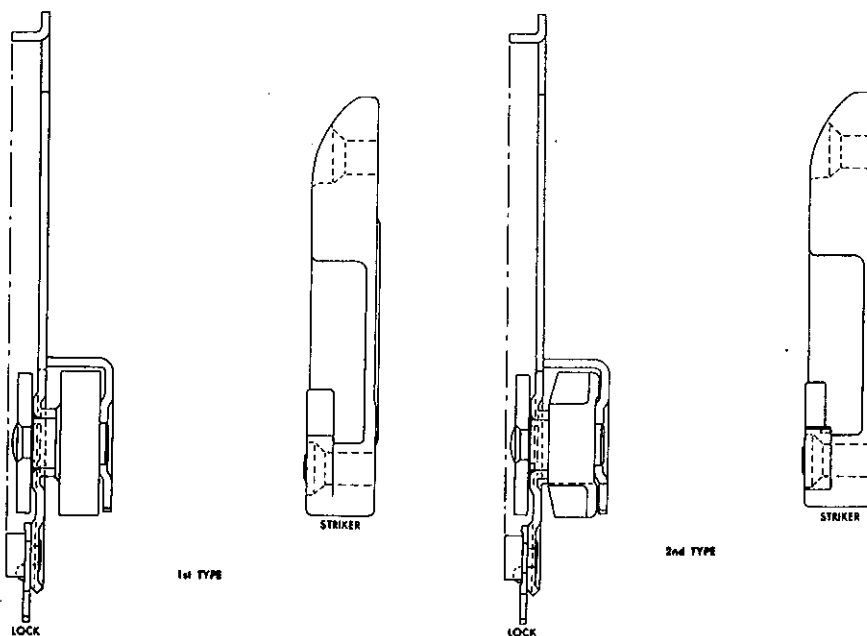
10.464 BUSHING, Door Hinge

56-67 Corvette	4110660 A.R.	.15	hinge pin
75-76 Corvette				

10.466 PIN, Door Hinge

56-57 Corvette	3797175 4	.43	front, lower (2 1/4" O.L.)
73-76 Corvette	6271989 A.R.	.42	front door hinge

10.470 LOCK—SEAL—SHIELD, Front Door



63-66 Corvette	9705191 L.H.	23.35		
63-66 Corvette	9705190 R.H.	23.35		
67 Corvette	9709406 R.H.	23.35		
67 Corvette	9709407 L.H.	23.35		
68 Corvette	9716350 R.H.	23.35	side door
68 Corvette	9716351 L.H.	23.35	side door
69-76 Corvette	9718280 R.H.	19.65		
69-76 Corvette	9718281 L.H.	19.65		
69-76 Corvette	3966779 L.H.	.34	SEAL , door lock shield
69-76 Corvette	3966780 R.H.	.34	SEAL , door lock shield
69-76 Corvette	3966774 R.H.	2.40	SHIELD
69-76 Corvette	3966773 L.H.	2.45	SHIELD

10.474 SCREW, Door Lock

56-67 Corvette			door lock to facing (1/4" — 20 x 9/16")
68-76 Corvette (Conv.) (exc. auxiliary top)	4591016 8	.11	folding top rear bow pivot bracket screw and lock washer assy.
73-76 Corvette	8788000 A.R.	.19	side door lock, front roof center lock

10.500 CONTROL—REINFORCEMENT—SHIELD, Door Lock Remote

63-67 Corvette	3880169 L.H.	3.20	assy.
63-67 Corvette	3880170 R.H.	3.20	assy.
68-76 Corvette	3966719 L.H.	9.45	side

WINDSHIELD—DOORS—CONTROLS

10.500 CONTROL— REINFORCEMENT— SHIELD, Door Lock Remote (Con't)

68-76	Corvette	3966720	R.H.	9.45	side
63-67	Corvette	3797396	2	.26	REINFORCEMENT , control
60-62	Corvette,				
64-67	Corvette	3768022	2	.15	SHIELD , control

10.506 ROD— CLIP— GROMMET— PAD, Door Lock Remote Control Connecting

56-62	Corvette	3724117	2	.31	lock cylinder to lock
59-62	Corvette	3757664	2	.48	side lock remote control
63-67	Corvette	3797398	2	.43	remote control to lock (167/16")
63-67	Corvette	3822505	2	.31	control to lock (47/8")
64-67	Corvette	3899301	1	.31	left, door lock cylinder (O.L. 3 ²³ / ₆₄ ")
64-67	Corvette	3899302	1	.31	right, door lock cylinder (O.L. 3 ²³ / ₆₄ ")
67	Corvette	3900360	2	.35	front to rear control
68-76	Corvette	3912989	2	2.63	side door lock control
68	Corvette	9716370	1	1.23	right, side door lock
68	Corvette	9716371	1	1.25	left, side door lock
68-75	Corvette	3940569	2	2.63	side door lock remote control upper
69-76	Corvette	3940599	2	2.63	side door lock remote control lower
69-73	Corvette	9720872	1	1.23	right, door outside handle
69-73	Corvette	9720873	1	1.25	left, door outside handle
63-74	Corvette	3908243	A.R.	.58	CLIP , lock control rod (4.054)
68-76	Corvette	3945238	4	.15	GROMMET , side door lock rod Anti-rattle, side door lock remote cont. rod
68-69	Corvette	3945253	2	.15	PAD , side door lock lower rod

10.512 HANDLE— KNOB— RETAINER, Door Lock Inside

56-61	Corvette	4664251	2	1.71	side door— (10.559)
63-64	Corvette	3822507	2		(10.559)
65-67	Corvette	3863680	2	1.94	(10.559)
68-76	Corvette	3962694	R.H.	3.99	
68-76	Corvette	3962693	L.H.	3.99	
53-76	Corvette	3846934	2	2.78	KNOB , remote control handle
56-63	Corvette,				
67-76	Corvette	4168122	A.R.	.11	RETAINER , retaining spring (steel snap on type)

10.515 PLATE, Door Lock Inside Handle Escutcheon (Trim Protector)

56-74	Corvette	4506698	A.R.	.15	bearing, front
65-76	Corvette	3863687	2	.10	bearing

10.527 HANDLE— HOUSING ASSY.— REINFORCEMENT, Door Outside Locking (less cylinder)

56-62	Corvette	4156542	R.H.	6.00	
56-62	Corvette	4156543	L.H.	6.00	
63-64	Corvette	9702866	A.R.	5.70	right
63-64	Corvette	9702887	A.R.	5.70	left
65-67	Corvette	5719142	R.H.	5.70	right
65-67	Corvette	5719143	L.H.	5.70	left
69-76	Corvette	9718410	R.H.	14.45	right
69-76	Corvette	9718411	L.H.	14.45	left
68	Corvette	3932833	1	15.25	HOUSING ASSY. , left, door outside release handle
68	Corvette	3932834	1	15.25	HOUSING ASSY. , right, door outside release handle

10.529 HOUSING— BUTTON— PAWL— RETAINER— RING— SCREW— SEAL— SPRING— STUD— SUPPORT— WASHER, Door Handle Push Button

68	Corvette	9716405	1	6.75	left, side door lock cylinder and push button assy.
68	Corvette	9716404	1	6.75	right, side door lock cylinder and push button assy.
56-58	Corvette,				
60-62	Corvette	4159112	2	1.90	BUTTON , front door, w/shaft
63-64	Corvette (1st design)	4307966	2		BUTTON , front, w/shaft
64-66	Corvette (2nd design),				
67	Corvette	9632427	2	2.20	BUTTON , w/shaft
68	Corvette	9716295	1	1.55	PAWL , left, side door lock cylinder and push button
68	Corvette	9716294	1	1.50	PAWL , right, side door lock cylinder and push button
68	Corvette	9716298	2	.21	RETAINER , side door lock cylinder and push button assy.
56-67	Corvette	4156548	A.R.	.19	RING , push button-front and rear door handle
68	Corvette	9716293	2	.25	SCREW , lock cylinder adjusting

WINDSHIELD—DOORS—CONTROLS

**10.529 HOUSING— BUTTON— PAWL— RETAINER— RING— SCREW— SEAL—
SPRING— STUD— SUPPORT— WASHER, Door Handle Push Button
(Con't)**

68-69	Corvette	3918560	2	.14	SEAL, door outside release handle hsg.
69-76	Corvette	3958022	2	.14	SEAL, side door o/s handle
63-67	Corvette	9831249	A.R.	.21	SPRING, push button-frt. and rear door
68-75	Corvette	3942702	1	.19	SPRING, door lock remote control handle ..
68-75	Corvette	3942721	L.H.	.19	SPRING, door inner handle retainer
68-75	Corvette	3942722	R.H.	.19	SPRING, inner handle retainer
68	Corvette	9716297	2	.14	SPRING, side door lock cylinder and push button assy.
68	Corvette	9716379	1	.80	STUD, side door lock mounting
63-64	Corvette,				
65-67	Corvette	5719092	A.R.	.14	WASHER, frt. and rr. dr. push button stop (Note 1)
<i>NOTE 1 Used w/5719142-3 door handles.</i>					
68	Corvette	9716296	2	.88	WASHER, side door lock cylinder and push button assy.

10.536 ESCUTCHEON— BEZEL, Door Outside Handle

56-67	Corvette	3897449	2	.78	side door lock cylinder
68	Corvette	9716320	2	1.18	BEZEL, side door lock cylinder and push button

10.537 GASKET UNIT— GASKET, Door Outside Handle Ferrule

65-66	Corvette,	3772582	A.R.	.23	
64-67	Corvette	3854687	2	.11	GASKET, rear

10.550 CYLINDER UNIT— KEY, Door Lock Outside Locking Handle

56-66	Corvette	1361115	2	2.24	
67	Corvette,				
71	Corvette	3901066	A.R.	3.15	(uncoded) (B&S 603434)
68	Corvette	3936223	2	3.15	side door lock (uncoded)
69	Corvette	3961302	2	3.15	front door lock (uncoded)
70	Corvette	3981843	2	1.86	(uncoded)
72	Corvette	3929566	2	3.15	(uncoded) (B&S 603968)
73	Corvette	3961302	2	3.15	(uncoded) (B&S 604273)
73	Corvette	695452	A.R.	4.65	(coded) (B&S 605526)
74	Corvette	345074	1	3.15	(uncoded) (B&S 606048)
75	Corvette	9632726	1	3.15	(uncoded) (B&S 606693)
53-66	Corvette	3694624	A.R.	.15	KEY, blank (octagon head)— (2.187)
67	Corvette	7033454	A.R.	.15	KEY, blank (octagon head)— (2.187)
67	Corvette	7033455	A.R.	.15	KEY, blank (round head)— (2.187)
68	Corvette	7034680	A.R.	.15	KEY, blank (hexagon head)— (2.187)
68	Corvette	7034702	A.R.	.15	KEY, blank (round head)— (2.187)
69	Corvette,				
73	Corvette	7025014	A.R.	.30	KEY, blank (square head)— (2.187)
69	Corvette,				
73	Corvette	7025019	A.R.	.30	KEY, blank (oval head)— (2.187)
70	Corvette	7025282	A.R.	.30	KEY, blank (square head)— (2.187)
70	Corvette	7025288	A.R.	.30	KEY, blank (oval head)— (2.187)
71	Corvette	7027275	A.R.	.25	KEY, square head (uncoded)— (2.187)
71	Corvette	7027281	A.R.	.25	KEY, oval head (uncoded)— (2.187)
72	Corvette	7024229	A.R.	.30	KEY, square head, uncoded— (2.187)
72	Corvette	7024235	A.R.	.30	KEY, oval head, uncoded— (2.187)

10.551 PAWL— RETAINER, Door Outside Lock Handle Cylinder

55-66	Corvette	7008064	2	.43	
67	Corvette	3912406	2	.31	
69-75	Corvette	3961313	L.H.	.40	left, door lock cyl. (B&S 320443)
69-75	Corvette	3961314	R.H.	.40	right, door lock cyl. (B&S 320442)
55-66	Corvette	3724127	A.R.	.26	RETAINER, side door lock cylinder
70-74	Corvette	4884405	2		RETAINER, side door lock cylinder, anti theft switch
75-76	Corvette	9728247	2	.53	RETAINER, lock cylinder, anti-theft switch ..

10.551A RETAINER, Door Safety Lock

67	Corvette	4755272	2	.43	front door lock cylinder
----	----------	---------	---	-----	--------------------------------

**10.552 CAP— HOUSING— SUPPORT, Door Outside Handle Push Button and Lock
Cylinder**

72-74	Corvette	230016	1	.39	frt. door o/s lock case
61-66	Corvette	7006091	2	.70	HOUSING, front door lock cylinder
72	Corvette	3924150	1	.58	HOUSING, frt. door lock cyl.
63-67	Corvette	3797237	1	1.38	SUPPORT, left lock

WINDSHIELD—DOORS—CONTROLS

10.553 TUMBLER UNIT, Door Lock Cylinder

53-75	Corvette	3901061 A.R.	2.75	(No. 1) (unit contains 100 pcs.) (slide bar type) (B&S 590081)
53-75	Corvette	3901062 A.R.	2.75	(No. 2) (unit contains 100 pcs.) (slide bar type) (B&S 590082)
53-75	Corvette	3901063 A.R.	2.75	(No. 3) (unit contains 100 pcs.) (slide bar type) (B&S 590083)
53-75	Corvette	3901064 A.R.	2.75	(No. 4) (unit contains 100 pcs.) (slide bar type) (B&S 590084)
53-75	Corvette	3901065 A.R.	2.75	(No. 5) (unit contains 100 pcs.) (slide bar type) (B&S 590085)
73-75	Corvette	6259309 A.R.	4.25	(No. 1) (unit contains 100 pcs.) (snap in type) (B&S 590761)
73-75	Corvette	6259310 A.R.	4.25	(No. 2) (unit contains 100 pcs.) (snap in type) (B&S 590762)
73-75	Corvette	6259311 A.R.	4.25	(No. 3) (unit contains 100 pcs.) (snap in type) (B&S 590763)
73-75	Corvette	6259312 A.R.	4.25	(No. 4) (unit contains 100 pcs.) (snap in type) (B&S 590764)
73-75	Corvette	6259313 A.R.	4.25	(No. 5) (unit contains 100 pcs.) (snap in type) (B&S 590765)

10.553A SPRING UNIT— RETAINER UNIT, Lock Tumbler

53-75	Corvette	3901067 A.R.	1.20	(unit contains 100 pcs.) (B&S 590080)
73-75	Corvette	6259315 A.R.	1.20	(snap in type) (B&S 590767)
53-75	Corvette	601261 1	.61	RETAINER UNIT (unit contains 12 retainers)
73-75	Corvette	6259314 A.R.	3.50	RETAINER UNIT (snap in type)

10.559 KNOB— HANDLE ASSY.— CONTROL, Door Inside Locking Rod

67-76	Corvette	3915649 2	1.18	side
69-74	Corvette	3996896 2	.26	air side outlet adapter
56-62	Corvette	4664251 2	1.71	HANDLE ASSY
63-67	Corvette	3863680 2	1.94	HANDLE ASSY
56-57	Corvette,			
63-66	Corvette	3723507 2	1.23	CONTROL
67	Corvette	3918656 2	2.05	CONTROL, front, remote
68-76	Corvette	3912984 2	.65	CONTROL, remote

10.563 ROD, Door Inside Lock to Knob

56-62	Corvette	3724120 2	.31	short
-------	----------	-----------	-----	-------

10.565 CLIP— PIN, Door Inside Locking Rod

69-73	Corvette	7762203 A.R.	.10	front door inner locking to lock rod, rear door remotecontrol to lock rod
69-74	Corvette	9719381 2	.64	PIN, side door outside rod adj.

10.569 STRIKER— BRACKET— WASHER, Door Lock

56-61	Corvette (1st type)	4664964 2	5.15	left, front and rear (Note 1)
60-62	Corvette (2nd type)	4802791 L.H.	5.25	left
63-67	Corvette	4885741 L.H.	5.25	left
68-76	Corvette	8770193 A.R.	1.99	side dr. lk. str.
70-75	Corvette (Conv.)	3966687 L.H.	2.83	BRACKET, left, lock pin housing
70-75	Corvette (Conv.)	3966688 R.H.	2.83	BRACKET, right, lock pin housing
70-73	Corvette	3876340 2	.22	WASHER, dr. lock striker

10.570 SCREW, Door Lock Striker to Pillar

56-62	Corvette	3734107 A.R.	.11	w/lockwasher (5/16"-24 x 1 9/16")
-------	----------	--------------	-----	-----------------------------------

10.571 PLATE, Door Lock Striker

56-62	Corvette	4649282 A.R.	.11	PLATE, adjusting lower-front and rear
56-62	Corvette	4649281 A.R.	.11	PLATE, adjusting upper-front and rear
63-64	Corvette	4417720 A.R.		PLATE, anchor
68-74	Corvette (Conv.),			
75	Corvette (Cpe.)	4413734 2	.77	PLATE ASSY., frt. door lock striker anchor

10.584 PLATE— HOUSING— PIN— SEAL— SPACER— WEDGE, Door Dovetail Bumper Wedge

63-67	Corvette (Conv.)	4843705 R.H.	.36	right door wedge
65-67	Corvette (Conv.)	4426757 R.H.	.31	right, door body lock pillar wedge
65-67	Corvette (Conv.)	4426758 L.H.	.34	left, door body lock pillar wedge
69-70	Corvette	7662093 2		door side
68-71	Corvette	4523880 2	.34	side door wedge and folding top compt. lid wedge plate
70-75	Corvette (Conv.)	3977877 2	17.55	HOUSING, lock pin
70-75	Corvette (Conv.)	3977876 R.H.	12.65	PIN, right, door lock

WINDSHIELD—DOORS—CONTROLS

10.584 PLATE— HOUSING— PIN— SEAL— SPACER— WEDGE, Door Dovetail Bumper Wedge (Con't)

70-75	Corvette (Conv.)	3977875	L.H.	12.65	PIN, left, door lock
70-75	Corvette (Conv.)	3966557	2	.61	SEAL, lock pin
65-67	Corvette (Conv.)				
68-72	Corvette	4523881	A.R.	.10	SPACER, side door wedge plate shim
69-70	Corvette	7652097	A.R.	.11	SPACER, plate (emergency use)
68-69	Corvette	3922363	L.H.	.15	WEDGE, left side door body lock pillar
68-69	Corvette	3922364	R.H.	.15	WEDGE, right, side door body lock pillar

10.587 BUMPER— EXTENSION— PAD, Side Door

53-59	Corvette			1	folding top heater end,
58-62	Corvette	4573914	2	.22	side body lock assy.
69-71	Corvette	3958723	2	.35	EXTENSION, side door inner seal
68-76	Corvette w/elect. window	3936359	2	.05	PAD, access hole cover

10.650 VENTILATOR ASSY., Front Door (less glass)

63-67	Corvette (Spt. Cpe.)	3843924	R.H.	54.35
63-67	Corvette (Spt. Cpe.)	3843923	L.H.	54.35

10.652 WEATHERSTRIP, Front Door Ventilator

63-67	Corvette (Conv.)	3823308	R.H.	8.25	front
63-67	Corvette (Conv.)	3823309	L.H.	2.95	rear
63-67	Corvette (Conv.)	3823310	R.H.	2.95	rear
63-67	Corvette (Spt. Cpe.)	3841623	L.H.	8.25	front
63-67	Corvette (Spt. Cpe.)	3841624	R.H.	8.25	front
63-67	Corvette (Spt. Cpe.)	3824641	L.H.	2.95	left vent rear
63-67	Corvette (Spt. Cpe.)	3824642	R.H.	2.95	WEATHERSTRIP, right vent rear
68-69	Corvette (Cpe.)	3935607	L.H.	9.95	WEATHERSTRIP ASSY., side door glass rear
68-69	Corvette (Cpe.)	3935608	R.H.	9.95	WEATHERSTRIP ASSY., side door glass rear
70-75	Corvette (Spt. Cpe.)	3995013	L.H.	9.95	WEATHERSTRIP ASSY., side door glass rear
70-75	Corvette (Spt. Cpe.)	3995014	R.H.	9.95	WEATHERSTRIP ASSY., side door glass rear

10.655 SASH ASSY.— CHANNEL— MOULDING, Front Door Ventilator Glass (with tee shaft)

63-67	Corvette (Spt. Cpe.)	3829901	L.H.	14.40	
63-67	Corvette (Spt. Cpe.)	3829902	R.H.	14.40	
63-67	Corvette (Conv.)	3829903	L.H.	17.40	
63-67	Corvette (Conv.)	3829904	R.H.	17.40	
63-67	Corvette (Spt. Cpe.)	3824745	L.H.	5.15	CHANNEL, vent division
63-67	Corvette (Spt. Cpe.)	3824746	R.H.	5.15	CHANNEL, vent division
63-67	Corvette (Conv.)	3823311	L.H.	5.15	CHANNEL, vent division
63-67	Corvette (Conv.)	3823312	R.H.	5.15	CHANNEL, vent division
63-67	Corvette	3824723	L.H.	4.65	MOULDING, vent div. channel inside, left
63-67	Corvette	3824724	R.H.	4.65	MOULDING, vent div. channel inside, right
63-67	Corvette	3824725	L.H.	4.65	MOULDING, vent div. channel outside, left
63-67	Corvette	3824726	R.H.	4.65	MOULDING, vent div. channel outside, right

10.658 GLASS, Front Door Ventilator (safety)

63-66	Corvette (Conv.)	3797041	L.H.	16.65	(clear)
63-66	Corvette (Conv.)	3797042	R.H.	16.65	(clear)
63-66	Corvette (Spt. Cpe.)	3797043	L.H.	16.65	(clear)
63-66	Corvette (Spt. Cpe.)	3840061	L.H.	18.35	(tinted)
63-66	Corvette (Spt. Cpe.)	3840062	R.H.	18.35	(tinted)
63-67	Corvette (Conv.)	3840063	L.H.	18.35	(tinted)
63-67	Corvette (Conv.)	3840064	R.H.	18.35	(tinted)

10.661 REGULATOR— BEARING— CLIP— HOLDER— PLUG— SUPPORT, Front Door Ventilator

63-64	Corvette (Conv.)				
65-67	Corvette	9704601	L.H.	7.20	
63-64	Corvette (Conv.)				
65-67	Corvette	9704600	R.H.	7.20	
63-64	Corvette (Spt. Cpe.)	3824605	L.H.	7.20	
63-64	Corvette (Spt. Cpe.)	3824606	R.H.	7.10	
	Not required in this group. See Group 2.760	4910468			HOLDER
	Not required in this group. See Group 2.760	4232319		.22	PLUG
63-67	Corvette (Spt. Cpe.)	3824752	R.H.	.61	SUPPORT, regulator, right
63-67	Corvette (Spt. Cpe.)	3824751	L.H.	.59	SUPPORT, regulator, left

WINDSHIELD—DOORS—CONTROLS

10.664 KNOB— HANDLE, Door Ventilator Regulator

63-55	Corvette	4155046	2	2.03	catch
63-64	Corvette	4775786	2	3.75	
65-66	Corvette	4468653	2	3.75	side door vent. regulator
67	Corvette	7680651	2	3.99	front door (black)
67	Corvette	7690276	2	3.93	(white)
67	Corvette	7690292	2	3.93	(med. saddle)

10.665 SEAL, Front Door Ventilator Handle Escutcheon

63-68	Corvette	3794076	2	.11	
-------	----------	---------	---	-----	--

10.669 RIVET, Front Door Ventilator

63-65	Corvette (Spt. Cpe.)	9704875	2	.11	pivot hinge
-------	----------------------	---------	---	-----	-------------

10.670 WASHER— STUD— NUT, Front Door Ventilator

63-67	Corvette (Conv.)	4836239	6	.06	(int. ext. tooth lock) frame to inner panel rnft.
63-67	Corvette	3826907	2	.65	STUD , glass adjusting
63-67	Corvette	4405524	A.R.		NUT , attach. glass adjuster stud, body rr. lower filler pnl. nut— (11.040)

10.681 GLASS, Front Door Window (Safety)

56-62	Corvette	3716237	2	15.20	(clear)
63-67	Corvette (Spt. Cpe.)	3863861	L.H.	32.45	(clear)
63-67	Corvette (Spt. Cpe.)	3863862	R.H.	32.45	(clear)
63-67	Corvette (Conv.)	3863863	L.H.	30.65	(clear)
63-67	Corvette (Spt. Cpe.)	3863865	L.H.	35.05	(tinted)
63-67	Corvette (Spt. Cpe.)	3863866	R.H.	35.05	(tinted)
63-67	Corvette (Conv.)	3863867	L.H.	33.00	(tinted)
63-67	Corvette (Conv.)	3863868	R.H.	33.00	(tinted)
63-67	Corvette (Conv.)	3863864	R.H.	30.65	(clear)
68-69	Corvette (Spt. Cpe.) (1st design)	3930455	L.H.	37.50	(clear) (Note 1)
68-69	Corvette (Spt. Cpe.) (1st design)	3930456	R.H.	27.90	(clear) (Note 1)
68-69	Corvette (Conv.) (1st design)	3930457	L.H.	27.25	(clear) (Note 1)
68-69	Corvette (Conv.) (1st design)	3930458	R.H.	24.70	(clear) (Note 1)
68-69	Corvette (Spt. Cpe.) (1st design)	3930459	L.H.	39.65	(tinted) (Note 1)
68-69	Corvette (Spt. Cpe.) (1st design)	3930460	R.H.	36.35	(tinted) (Note 1)
68-69	Corvette (Conv.) (1st design)	3930461	L.H.	39.65	(tinted) (Note 1)
68-69	Corvette (Conv.) (1st design)	3930462	R.H.	39.65	(tinted) (Note 1)
<i>NOTE 1 Has 8 lower attaching holes.</i>					
69	Corvette (Spt. Cpe.) (2nd design)	3956081	L.H.	45.25	(clear) (Note 2)
69	Corvette (Spt. Cpe.) (2nd design)	3956082	R.H.	45.25	(clear) (Note 2)
69	Corvette (Conv.) (2nd design)	3956083	L.H.	45.25	(clear) (Note 2)
69	Corvette (Conv.) (2nd design)	3956084	R.H.	35.60	(clear) (Note 2)
69	Corvette (Spt. Cpe.) (2nd design),				
70-76	Corvette (Spt. Cpe.)	347997	L.H.	43.40	(tinted) (Note 2)
69	Corvette (Spt. Cpe.) (2nd design),				
70-76	Corvette (Spt. Cpe.)	347998	R.H.	43.40	(tinted) (Note 2)
69	Corvette (Conv.) (2nd design),				
70-75	Corvette (Conv.)	347999	L.H.	47.45	(tinted) (Note 2)
69	Corvette (Conv.) (2nd design),				
70-75	Corvette (Conv.)	348000	R.H.	47.45	(tinted) (Note 2)

NOTE 2 Has 5 lower attaching holes.

10.685 CHANNEL— BUSHING— FRAME— SASH ASSY.— SEAL, Front Door Window Glass Lower Sash

68-69	Corvette (1st design)	3915871	2	1.50	window, lift (length 18")
69	Corvette (2nd design),				
70-76	Corvette	3953070	2	1.75	window, lift (length 25 ^{5/8} ")
68-76	Corvette	7698789	8	.66	BUSHING , side door fastener
68-69	Corvette	3932908	2	1.50	FRAME , side door window lift channel
63	Corvette (Spt. Cpe.) (1st design)	3833302	R.H.	5.95	SASH ASSY. , right (gusset w/2 sltd. holes)
63-67	Corvette (Spt. Cpe.) (2nd design)	3840589	L.H.	7.20	SASH ASSY. , left (gusset w/o sltd. holes)
63-67	Corvette (Spt. Cpe.) (2nd design)	3840590	R.H.	24.40	SASH ASSY. , right (gusset w/o sltd. holes)
63-67	Corvette (Conv.)	3833298	R.H.	6.05	SASH ASSY. , right
63-67	Corvette (Conv.)	3833297	L.H.	6.05	SASH ASSY. , left

NOTE. When necessary, use old sash channel as guide and cut new channel as required.

10.687 CAM ASSY.— PAD, Front Door Glass Lower Sash Channel

NOTE. Also refer to group 10.685 for sash channel (with cam).

68-69	Corvette (1st design)	3915867	L.H.	3.46	side window glass rear guide (w/strap)
68-69	Corvette (1st design)	3915868	R.H.	3.46	side window glass rear guide (w/strap)
68-75	Corvette	3932931	L.H.	3.26	left side door window glass front guide (Note 1)

10.687 CAM ASSY.— PAD, Front Door Glass Lower Sash Channel (Con't)

68-75	Corvette	3932932	R.H.	3.46	right, side door window glass front guide (Note 1)
<i>NOTE 1: It may be necessary to remove front cam wedge strap and lengthen the lower guide hold in guide cam lower bracket by .42 on past models.</i>						
69	Corvette (2nd design),					
70-76	Corvette	3953083	L.H.	3.46	side window glass rear guide (w/o strap) ..
69	Corvette (2nd design),					
70-76	Corvette	3953084	R.H.	3.46	side window glass rear guide (w/o strap) ..
68-69	Corvette	3930447	L.H.	1.18	PAD , left, rear guide cam
68-69	Corvette	3930448	R.H.	1.32	PAD , right, rear guide came

10.694 WEATHERSTRIP— WASHER— WEDGE, Door Opening and Windshield Pillar

53-57	Corvette	3814213	A.R.	6.75	(on doors)— (13.352) (Note 2)
<i>NOTE 2 Cut to required length.</i>						
56-59	Corvette (1st design)	3736270	R.H.	7.50	right, on door (unsealed rubber, 104 lg. w/twine core)
56-59	Corvette (1st design)	3736269	L.H.	7.50	left, on door (unsealed rubber, 104 lg. w/twine core)
61-62	Corvette	3784449	L.H.	18.75	left, on door (97 lg. w/20 wire clips, 5 metal tabs)
63-67	Corvette (Spt. Cpe.)	3832113	L.H.	10.75	left, door opening outer front rnft.
63-67	Corvette (Spt. Cpe.)	3832114	R.H.	10.75	right, door opening outer front rnft.
63-67	Corvette (Spt. Cpe.)	3899381	L.H.	3.95	left, body hinge pillar
63-67	Corvette (Spt. Cpe.)	3899382	R.H.	3.95	right, body hinge pillar
63-67	Corvette (Conv.)	3826949	L.H.	22.95	left, on door
63-67	Corvette (Conv.)	3826950	R.H.	22.95	right, on door
63-67	Corvette	3829301	L.H.	.90	left, side door auxiliary
63-67	Corvette	3829302	R.H.	.90	right, side door auxiliary
63-67	Corvette (Conv.)	3899383	L.H.	22.95	left, body hinge pillar
63-67	Corvette (Conv.)	3899384	R.H.	22.95	right, body hinge pillar
63-64	Corvette (Conv.),					
63-67	Corvette (Spt. Cpe.)	3829883	L.H.	10.75	left, on door
63-67	Corvette (Spt. Cpe.)	3829884	R.H.	10.75	right, on door
68	Corvette	3913045	L.H.	22.95	left, front
68	Corvette	3913046	R.H.	22.95	right, front
68-69	Corvette (1st design)	3947943	L.H.	22.95	left, windshield side (2 slots)
68-69	Corvette (1st design)	3947944	R.H.	22.95	right, windshield side (2 slots)
68-69	Corvette (Conv.) (1st design)	3919622	R.H.	5.95	right, body lock pillar (w/o side dr. glass weatherstrip wedge)
68-69	Corvette (Conv.) (1st design)	3919621	L.H.	5.95	left, body lock pillar (w/o side dr. glass weatherstrip wedge)
68-71	Corvette	3938145	L.H.	2.50	left, windshield lower outer frame to front fender upper bond strip
68-71	Corvette	3938146	R.H.	2.50	right, windshield lower outer frame to front fender upper bond strip
69	Corvette (Conv.) (2nd design),					
70-75	Corvette (Conv.)	3956075	L.H.	5.95	left, body lock pillar (w/side dr. glass weatherstrip wedge)
69	Corvette (Conv.) (2nd design),					
70-75	Corvette (Conv.)	3956076	R.H.	5.95	right, body lock pillar (w/side dr. glass weatherstrip wedge)
69	Corvette (Spt. Cpe.) (1st design)	3945286	R.H.	22.95	side right (white ident. stripe)
69	Corvette (Spt. Cpe.) (1st design)	3945285	L.H.	22.95	side left (white ident. stripe)
69	Corvette (Conv.) (1st design)	3945288	R.H.	22.95	side right (white ident. stripe)
69	Corvette (Conv.) (1st design)	3945287	L.H.	22.95	side left (white ident. stripe)
69	Corvette (Spt. Cpe.) (2nd design),					
70-76	Corvette (Spt. Cpe.)	3966561	L.H.	22.95	left, side (green ident. stripe)
69	Corvette (Spt. Cpe.) (2nd design),					
70-76	Corvette (Spt. Cpe.)	3966562	R.H.	22.95	right, side (green ident. stripe)
69	Corvette (2nd design),					
70-76	Corvette	3966565	L.H.	22.95	left, windshield side (3 slots)
69	Corvette (2nd design),					
70-76	Corvette	3966566	R.H.	22.95	right, windwhidle side (3 slots)
69	Corvette (Conv.) (2nd design),					
70-75	Corvette (Conv.)	3966569	L.H.	22.95	left, side (red ident. stripe)
69	Corvette (Conv.) (2nd design),					
70-75	Corvette (Conv.)	3966570	R.H.	22.95	right, side (red ident. stripe)
70-72	Corvette	3922439	4	.10	WASHER , windshield side weatherstrip screw— (14.190)
69-75	Corvette (Conv.)	3956077	L.H.	.31	WEDGE , left, side door glass rear
69-75	Corvette (Conv.)	3956078	R.H.	.31	WEDGE , right, side door glass rear

WINDSHIELD—DOORS—CONTROLS

10.694A PLUG, Weatherstrip, Door Opening

58-62	Corvette			weatherstrip attaching clip hole,
69-73	Corvette	4770719	A.R.	.11 door w/strip attaching hole

10.695 CLIP— FASTENER, Door Weatherstrip

69-76	Corvette	7657090	2	.15 windshield frame
56-62	Corvette	4653672	A.R.	.10 side door aux. w/strip
63	Corvette (Conv.)	(exc. aux. top) ..			strip,
64	Corvette	4841194	A.R.	.10 side door aux. w/strip
73-76	Corvette	4876498	2	.11 FASTENER , folding top header weatherstrip, roof panel weatherstrip, roof panel header weatherstrip

10.701 RUN ASSY.— SEAL ASSY., Corvette Door Window Glass

56-62	Corvette	3762678	2	2.45 front
56-62	Corvette	3723512	R.H.	8.60 right, rear
56-62	Corvette	3723511	L.H.	8.60 left, rear
63	Corvette (Spt. Cpe.)	(1st design),			
63-67	Corvette (Conv.)	3833307	L.H.	3.65 rear, left w/stop (w/2" bracket) (Note 1) ...
63	Corvette (Spt. Cpe.)	(1st design),			
63-67	Corvette (Conv.)	3833308	R.H.	3.65 rear, right w/stop (w/2" bracket) (Note 1) ..
<i>NOTE 1: When using 3833307-08 it will be necessary to use (2) 3711168 bumpers.</i>					
63-67	Corvette (Spt. Cpe.)	(2nd design)	3840595	L.H.	3.65 rear, left w/stop (w/3/4" bracket)
63-67	Corvette (Spt. Cpe.)	(2nd design)	3840596	R.H.	3.35 rear, right w/stop (w/3/4" bracket)
63-67	Corvette	3831887	L.H.	3.95 front, left (Note 2)
63-67	Corvette	3831888	R.H.	3.95 front, right (Note 2)
<i>NOTE 2: When using 3831887-88 it will be necessary to cut 20 from beveled end.</i>					
64-67	Corvette (Spt. Cpe.)	3888833	L.H.	left, upper

10.707 MOULDING, Front Door Window Reveal

59-62	Corvette	3762454	R.H.	2.83 right (18 ³ / ₃₂ " O.L.) 2 tabs on top edge
59-62	Corvette	3762453	L.H.	2.83 left (18 ³ / ₃₂ " O.L.) 2 tabs on top edge
68-76	Corvette	3954525	L.H.	4.00 glass trim
68-76	Corvette	3954526	R.H.	4.00 glass trim

10.708 END, Door Window Reveal Moulding

58-60	Corvette	3757152	R.H.	1.92 right, garnish and reveal mldg. (st. steel) ...
-------	----------	-------	----------------	------	--

10.710 SEAL ASSY.— MOULDING, Door Window Glass

56-62	Corvette	3725138	R.H.	6.50 outer
56-62	Corvette	3725137	L.H.	6.50 outer
56-62	Corvette	3725136	R.H.	6.50 inner
56-62	Corvette	3725135	L.H.	6.50 inner
63-67	Corvette (Spt. Cpe.)	3866480	R.H.	6.50 outer
63-67	Corvette (Spt. Cpe.)	3866479	L.H.	6.50 outer
63-67	Corvette (Conv.)	3826870	R.H.	6.50 outer
63-67	Corvette (Conv.)	3826869	L.H.	6.50 outer
63-67	Corvette (Spt. Cpe.)	3826872	R.H.	6.50 inner
63-67	Corvette (Spt. Cpe.)	3826871	L.H.	6.50 inner
63-66	Corvette (Conv.)	3826874	R.H.	6.50 inner
63-66	Corvette (Conv.)	3826873	L.H.	6.50 inner
67	Corvette (Conv.)	3903556	R.H.	6.50 inner
67	Corvette (Conv.)	3903555	L.H.	6.50 inner
68-69	Corvette	3937265	L.H.	6.50 inner
68-69	Corvette	3937266	R.H.	6.50 inner
68	Corvette	3937267	L.H.	6.50 outer (34 ¹ / ₂ ")
68	Corvette	3937268	R.H.	6.50 outer (34 ¹ / ₂ ")
69-75	Corvette	3963193	L.H.	6.50 side door inner
69-75	Corvette	3963194	R.H.	6.50 side door inner
69-75	Corvette (Conv.)	3954589	L.H.	6.50 side outer (34 ¹ / ₂ ")
69-75	Corvette (Conv.)	3954590	R.H.	6.50 side outer (34 ¹ / ₂ ")
69-76	Corvette (Spt. Cpe.)	3966642	R.H.	6.50 outer (36")
69-76	Corvette (Spt. Cpe.)	3966641	L.H.	6.50 outer (36")

10.716 BUMPER— BRACKET— CUSHION— NUT— STOP— WASHER, Door Window

63-67	Corvette	3711168	2	.15 glass stop, run assy.— (16.400)
65-67	Corvette (Conv.)	3711238	2	.13 upper stop bumper
63-67	Corvette (Conv.)	3830934	2	.17 BRACKET , window glass stop front
69-76	Corvette	3954529	4	1.25 CUSHION , anti-rattle
68	Corvette,				
70-74	Corvette	4801719	10	.17 NUT , side door window glass
63-67	Corvette (Conv.)	3822541	2	.15 STOP , upper
68-76	Corvette	3966153	A.R.	.43 STOP , side door window glass cam
63-67	Corvette (Conv.)	3824758	2	.36 STOP , window glass
63-66	Corvette (Conv.)	3718496	2	.10 WASHER , stop bracket— (3.425)

WINDSHIELD—DOORS—CONTROLS

10.721 MOULDING— RETAINER, Side Roof Rail and Body Lock Pillar

68-69 Corvette (Conv.)	3947084	1	12.75	roof panel rear garnish (paint as reqd.)
70-75 Corvette w/aux. top	333670		13.50	rear garnish (paint as reqd.)
63-67 Corvette w/aux. top	3827173	L.H.	2.24	MOULDING ASSY. , roof panel side rear garnish
65-67 Corvette w/aux. top	3827174	R.H.	2.24	MOULDING ASSY. , roof panel side rear garnish
63-67 Corvette w/aux. top	3831505	A.R.	.10	RETAINER , drip mldg. w/strip to frt. and side mldg.

10.726 BUMPER, Door Window Glass Roller

63-67 Corvette (Conv.)	3711238	2	.13	side door upper stop— (0.829)
-------------------------------	---------	---	-----	-------------------------------

10.728 GUIDE— NUT— ROLLER ASSY.— STUD— WASHER, Door Window

68 Corvette	4405500	A.R.	.15	side glass front guide cam— (10.670)
68-69 Corvette	193232	4	.06	NUT , glass frt. guide— (8.916)
68-76 Corvette	3919799	2	4.14	ROLLER ASSY. , side window guide
68-76 Corvette	9710689	2	4.01	ROLLER ASSY. , w/silder side window rear guide
68-69 Corvette	4405502	4	.11	STUD , quarter window rr. guide— (10.670)
68-73 Corvette	3704579	4	.12	WASHER , side door window glass roller— (8.143)
73 Corvette	7582188	4	.21	WASHER , guide cam to glass

10.777 SWITCH— CLIP— PLATE— SHIELD, Electric Window Lift Parts

56-62 Corvette	4634122	R.H.	4.84	frt. and rear (one button)
63-67 Corvette	4434589	1	8.60	
68-76 Corvette	4434584	2	8.15	
56-69 Corvette	4154886	A.R.	.22	CLIP , dr. switch retainer
63-67 Corvette	3824030	2	.29	PLATE , control switch shield anchor
63-67 Corvette	3824041	1	3.95	SHIELD , control switch

NOTE: For connectors see group 13.100.

10.778 CONDUIT, Front and Rear Door

68-76 Corvette w/elect. window	6294024	2	3.46	window regulator wiring harness
---------------------------------------	---------	---	------	---------------------------------

10.783 REGULATOR— ARMATURE UNIT— BOLT— BRACKET— BRUSH— GEAR— HOLDER— HOUSING ASSY.— MOTOR ASSY.— "O" RING— PLUG— RELAY ASSY.— SCREW— SHAFT— SPRING— WASHER, Front Door Window

59-62 Corvette (exc. elect. window)	3757666	R.H.	12.20	
59-62 Corvette (exc. elect. window)	3757665	L.H.	12.20	
63-67 Corvette (exc. elect. window)	3797291	L.H.	12.20	
63-67 Corvette (exc. elect. window)	3797292	R.H.	12.50	
63-67 Corvette w/elect. window	3825675	L.H.	21.25	less motor
68-76 Corvette (exc. elect. window)	9714096	R.H.	18.15	
68-76 Corvette (exc. elect. window)	9714097	L.H.	14.50	
68-74 Corvette w/elect. window	9714134	R.H.	30.50	
68-74 Corvette w/elect. window	9714135	L.H.	30.50	
59-74 Corvette w/elect. window	4909702	2	18.35	ARMATURE UNIT , door window elec. mtr. (sqr. mtr.)
68-74 Corvette w/elect. window	4916380	2	.13	BOLT , door window elec. mtr. hsg. tie
59-67 Corvette w/elect. window	4904212	A.R.	.05	BRACKET , brush holder (square motor)
68-74 Corvette w/elect. window	4918916	2	.28	BRUSH , door window elec. mtr. armature
58-67 Corvette w/elect. window	4900085	2	6.00	GEAR , regulator motor
59-74 Corvette w/elect. window	4917191	2	5.75	HOLDER , brush door window elec. mtr. (square motor)
68-76 Corvette (exc. elect. window)	3945241	L.H.	3.65	HOUSING ASSY. , regulator (remote) shaft (w/built-in bronze bushing)
68-76 Corvette (exc. elect. window)	3945242	R.H.	3.65	HOUSING ASSY. , regulator (remote) shaft (w/built-in bronze bushing)
56-74 Corvette w/elect. window	5045589	R.H.	47.00	MOTOR ASSY. (square)
56-74 Corvette w/elect. window	5045590	L.H.	47.00	MOTOR ASSY.
74-76 Corvette (exc. elec. window)	443147	2	.26	PIN , regulator (remote shaft) (⁵ / ₁₆ x ⁷ / ₈)
58-74 Corvette w/elect. window	5098080	A.R.	.14	PLUG , motor armature thrust
67 Corvette	1116990	1	6.20	RELAY ASSY. , electric window power— (13.095)
74 Corvette w/elect. window	5718404	2	1.30	SECTOR , plate and brush assy. window regulator
58-74 Corvette w/elect. window	5096732	A.R.	.43	SCREW , motor set (⁵ / ₁₆ "— 24 x ¹¹ / ₁₆ "
68-76 Corvette (exc. elect. window)	3921580	2	1.40	SHAFT , regulator (remote)
56-62 Corvette				
63-67 Corvette w/electric window	4025362	2	.74	SPRING , counter balance
58-67 Corvette w/elect. window	5097480	A.R.		WASHER , motor armature thrust plug

WINDSHIELD—DOORS—CONTROLS

10.792 BOLT—BUMPER—BUSHING—CAP—CHANNEL ASSY.—FILLER—NUT—PLATE—RAIL—WASHER, Door Window Regulator Manual or Electric

69-74	Corvette	8712549	4	.20	window lift channel
68-88	Corvette	7659791	8	.22	regulator cam to glass, 1/4" — 20 x 7/8"
75-78	Corvette	8778929	8		BOLT , wdo. lift channel
69-70	Corvette	7711527	4	.12	BUMPER , front and rear cam
68-73	Corvette	4491087	A.R.	.13	BUSHING , side door window lift channel— (11.007)
68-76	Corvette	7698790	2	.20	CAP , side door window glass bushing
68-76	Corvette	3915866	2	.75	CHANNEL ASSY. , side door window bal.
70-74	Corvette	4491088	A.R.	.15	NUT (1/4" — 20) lift channel
74-76	Corvette	4801719	A.R.	.17	NUT , window lift channel/window guide roller— (10.716)
68-76	Corvette	3966666	2	.72	PLATE , door window glass front guide cam mounting
68-74	Corvette	3797297	2	1.01	RAIL , upper guide
63-67	Corvette	3797422	2	.65	RAIL , lower guide
68-76	Corvette	4491085	A.R.	.10	WASHER , side door window lift channel & guide roller

10.797 HANDLE, Door Window Regulator

56-62	Corvette	3725377	2	4.10	(w/knob)
63-64	Corvette	4753531	2	4.10	
65-66	Corvette (exc. electric window)	4468651	A.R.	4.10	side
67	Corvette	7719273	2	3.60	(med. brt. blue)
67	Corvette	7889666	2	5.00	manual (white)
67	Corvette	9712064	2	3.65	manual (blue)
68	Corvette	9715957	2	3.85	(red)
68	Corvette	9715958	2	3.85	(med. brt. blue)
68	Corvette	9715959	2	3.85	(drk. brt. blue)
68	Corvette	9715960	2	3.85	(gunmetal)
68	Corvette	9715961	2	3.85	(tobacco)
68	Corvette	9715962	2	3.50	(drk. orange)
68	Corvette (Spt. Cpe.)	7767324	A.R.	3.95	HANDLE ASSY. (saddle)
68-76	Corvette	7752485	A.R.	6.10	HANDLE ASSY. , side door (black)— (16.270)

10.805 ESCUTCHEON—PLATE—SEAL, Door Window Regulator Handle

63-64	Corvette (exc. elec. window)	3820886	2	1.11	
65-67	Corvette (exc. elect. window)	3863688	2		
68-76	Corvette (exc. elect. window)	3945301	2	.90	ESCUTCHEON ASSY. , side door (black) (paint as reqd.)
56-61	Corvette		2		PLATE , bearing, front
65	Corvette (exc. elect. window control)		2		bearing, front and rear,
66-75	Corvette	4506696	A.R.	.15	handle— (10.515)
63-68	Corvette	3794076	2	.11	SEAL (10.665)

10.806 RETAINER, Window Regulator Handle Escutcheon Plate

56-61	Corvette	4168122	A.R.	.11	handle (snap-on type)— (10.513)
56-62	Corvette	4566746	A.R.	.20	front

10.997 HOSE—NIPPLE—SHIELD, Rear Quarter Ventilator and Back Window Drain

68-76	Corvette (Spt. Cpe.) (exc. A.C.)	3958729	2	.80	body rear vent. drain
68-70	Corvette (Conv.)	3928849	2	.85	body rear vent. drain
70	Corvette	3976515	2	.85	body rear drain
68-70	Corvette (Conv.)	3938107	L.H.	.43	SHIELD , body rear vent drain hose
68-76	Corvette (Spt. Cpe.) (exc. A.C.)	3930323	2	.75	SHIELD , body rear vent. drain hose

**GROUP 11.000
REAR QUARTER
WINDOW — SEAT
AND ADJUSTER**



REAR GLASS—SEAT AND ADJUSTER

11.007 BUSHING—WASHER, Side Door Window			
68-76	Corvette	4491087 A.R.	.13 lift chan. or guide roller
68-73	Corvette	4491085 A.R.	.10 WASHER , lift channel or guide roller— (10.792)
74	Corvette	7582188 A.R.	.21 WASHER , lift channel or guide roller
11.011 GLASS— KIT, Quarter Window (safety)			
56-60	Corvette w/Hardtop	3726330	2 16.00 stationary (Plexiglass)
53-72	Corvette	4226000 A.R.	10.40 KIT , adhesive caulking— (10.027)
11.015 CHANNEL, Quarter Window Glass Rubber			
56-57	Corvette w/Hardtop	3737720	1 31.75 stationary— (11.207)
56-62	Corvette w/Hardtop	3726381	1 5.65 left, front w/channel (steel and st. steel)
56-62	Corvette w/Hardtop	3726382	1 5.65 right, front w/channel (steel and st. steel)
11.031 MOULDING, Quarter Window Reveal			
61-62	Corvette w/Hardtop	3777972	1 5.35 right, rear— (11.208)
61-62	Corvette w/Hardtop	3777971	1 5.35 left, rear— (11.208)
11.032 BOLT— RETAINER, Quarter Window Reveal Midg.			
56-59	Corvette w/Hardtop	3725361	6 .15 retainer— (11.209)
11.044 HANDLE, Quarter Window Regular			
63-64	Corvette	4753531	2 4.10 (10.797)
11.120 MOULDING, Back Window Garnish			
63-67	Corvette w/Hardtop	3837697	1 10.25 left (Note 1)
63-67	Corvette w/Hardtop	3837698	1 10.25 right (Note 1)
<i>NOTE 1 When using 3837697-98 in place of 3827177-78, back window garnish moulding assy. 3837696 must also be used.</i>			
63-67	Corvette w/Hardtop	3837696	1 10.25
64-67	Corvette (Spt. Cpe.)	3899328	1 9.75 right, side (paint as required)
64-67	Corvette (Spt. Cpe.)	3899327	1 9.75 left side (paint as required)
11.133 CAP— RETAINER, Garnish Moulding			
63-67	Corvette w/aux. top	3834764 A.R.	.10 RETAINER , back window
11.175 PLATE, Side Door Sill			
63-66	Corvette	3797499	2 7.20
67	Corvette	3894542	2 6.70
68-76	Corvette	3912660	2 7.50
11.204 GLASS— FRAME— GUIDE— KIT— PLATE— PRIMER— SPACER, Back Window (Safety)			
56-60	Corvette w/Hardtop	3815211	1 68.75 plastic
61-62	Corvette w/Hardtop	3777966	1 68.75 (plexiglass)
63-67	Corvette w/Hardtop	3824779	1 81.75
63-67	Corvette (exc. Spt. Cpe.)	3825816	1 20.60 folding top rear
64-67	Corvette (Spt. Cpe.)	3847840	1 74.30 (clear)
64-67	Corvette (Spt. Cpe.)	3847841	1 81.10 (tinted)
68-75	Corvette w/aux. top	3912934	1 38.80
68-72	Corvette (Spt. Cpe.)	3912933	1 21.45 (tinted)
68-69	Corvette (Spt. Cpe.)	3912931	1 16.15 (clear)
68-75	Corvette (Conv.)	3914593	1 10.40
73-76	Corvette (Spt. Cpe.)	327696	1 18.40
68-69	Corvette (Spt. Cpe.)	3938097	1 48.75 (clear)
68-72	Corvette (Spt. Cpe.)	3938098	1 54.75 (tinted)
73-76	Corvette (Spt. Cpe.)	327667	1 5.00 FRAME
69-72	Corvette (Spt. Cpe.)	3964145	2 .28 GUIDE , lock wedge plate
53-72	Corvette	4226000 A.R.	10.40 KIT , adhesive caulking— (10.027)
68-72	Corvette (Spt. Cpe.)	3964144	2 .26 PLATE , lock wedge
53-72	Corvette	4226001 A.R.	PRIMER , painted surface (1 pint cans)— (10.027)
64-67	Corvette (Spt. Cpe.)	4459429	6 .17 SPACER , adhesive caulked glass ($\frac{9}{16}$ " x $\frac{1}{2}$ " x 1)— (10.027)
64-67	Corvette (Spt. Cpe.),		
68-72	Corvette w/aux. top	4871330 A.R.	.10 SPACER , adhesive caulked glass ($\frac{11}{32}$ " x $\frac{7}{16}$ " x 1) lower spacer— (10.027)
72	Corvette w/aux. top	4877156	5 .10 SPACER , back window glass— (10.096)
11.207 CHANNEL— LOCK ASSY.— TAPE— WEATHERSTRIP— WEDGE, Back Window Glass (rubber)			
56-60	Corvette w/Hardtop	3737720	1 31.75 ($\frac{87^{25}}{32}$ " dev. length at belt line)
68-69	Corvette (Spt. Cpe.) (1st design)	3930329	1 10.75 LOCK ASSY. (front and rear attach)
69-72	Corvette (Spt. Cpe.) (2nd design)	3963103	2 7.50 LOCK ASSY. (rear attach only)
63-67	Corvette w/Hardtop	3827053	1 5.80 WEATHERSTRIP , window

REAR GLASS—SEAT AND ADJUSTER

11.207 CHANNEL— LOCK ASSY.— TAPE— WEATHERSTRIP— WEDGE, Back Window Glass (rubber) (Con't)

68-72	Corvette (Spt. Cpe.)	3964140	1	7.20	WEATHERSTRIP
68-72	Corvette (Spt. Cpe.)	3919768	2	.98	WEDGE, back window locating

11.208 MOULDING— CAP, Back Window Glass Reveal

56-62	Corvette w/Hardtop	3726323	1	7.50	upper
61-62	Corvette w/Hardtop	3777972	R.H.	5.35	lower
61-62	Corvette w/Hardtop	3777971	L.H.	5.35	lower
63	Corvette (Spt. Cpe.)	3825015	L.H.	6.05	upper
63	Corvette (Spt. Cpe.)	3825016	R.H.	6.05	upper
63-67	Corvette w/Hardtop	3827179	L.H.	4.25	upper
63-67	Corvette w/Hardtop	3827180	R.H.	4.25	upper
63-67	Corvette w/Hardtop	3827181	L.H.	4.85	lower
63-67	Corvette w/Hardtop	3827182	R.H.	4.85	lower
64-67	Corvette (Spt. Cpe.)	3847981	1	6.00	upper
64-67	Corvette (Spt. Cpe.)	3847982	1	5.20	lower
64-67	Corvette (Spt. Cpe.)	3841687	L.H.	8.80	outer
64-67	Corvette (Spt. Cpe.)	3841688	R.H.	8.80	outer
68-75	Corvette w/aux. top	3912833	L.H.	7.55	upper
68-75	Corvette w/aux. top	3912834	R.H.	7.55	upper
68-75	Corvette w/aux. top	3912835	L.H.	5.75	lower
68-75	Corvette w/aux. top	3912836	R.H.	5.75	lower
61-62	Corvette w/Hardtop	3777974	1	1.90	CAP, lower mldg.
63-67	Corvette w/Hardtop	3827183	1	2.20	CAP, lower center reveal moulding
63-67	Corvette w/Hardtop	3828307	L.H.	1.15	CAP, left, lower side reveal
63-67	Corvette w/Hardtop	3828308	R.H.	1.15	CAP, right, lower side reveal
64-67	Corvette (Spt. Cpe.)	3841679	2	1.75	CAP, outer upper corner

11.209 ESCUTCHEON— BOLT— BUMPER— CLIP— COVER— NUT— RETAINER, Back Window Glass Reveal Moulding

56-62	Corvette w/Hardtop	3726874	2	1.25	upper
56-62	Corvette w/Hardtop	3725361	A.R.	.15	BOLT, lower and side
69-71	Corvette (Spt. Cpe.)	3963106	2	1.25	BUMPER, back window lock
64-66	Corvette (Spt. Cpe.)	4871329	A.R.	.13	CLIP, upper, lower, outer reveal mldg.
68-69	Corvette (Spt. Cpe.) (1st design)	3935641	L.H.	1.50	COVER, left, back window lock trim (Note 1)
68-69	Corvette (Spt. Cpe.) (1st design)	3935642	R.H.	1.50	COVER, right, back window lock trim (Note 1)
69-71	Corvette (Spt. Cpe.) (2nd design)	3963101	L.H.	1.50	COVER, left, lock trim (Note 1)
63-67	Corvette w/Hardtop	3828353	A.R.	.54	RETAINER, lower mldg., lower, side & center cap, upper inner mounting plate
63-67	Corvette w/Hardtop	3834764	1	.10	RETAINER, upper— (11.133)
63-67	Corvette w/Hardtop	3832861	A.R.	.06	RETAINER, upper
63	Corvette (Spt. Cpe.)	3826880	A.R.	.13	RETAINER, lower, outer, upper and corner cap

NOTE 1 2nd design has attaching holes 3/4" apart. 1st design has 1/2" frt. holes.

11.358 PANEL ASSY., Seat Back

65-66	Corvette	3863442	2	10.75	back (black)
67	Corvette	3903571	2	10.95	(black)
67	Corvette	3903910	2	10.95	(comb. 450, 455) (white)
68	Corvette (1st design)	3930463	2	9.15	paint as reqd. (Note 1)
68-69	Corvette (2nd design)	3945351	2	9.30	(black) paint as reqd.
68-69	Corvette (2nd design)	3945354	2	8.80	(saddle)
70-76	Corvette	333387	2	10.00	(black)

NOTE 1 Seat catch located 11 1/2" from top of seat.

11.368 SPACER, Side Seat Back, Side Panels

68-69	Corvette	3926225	A.R.	.05	seat back bumper
-------	----------	---------	------	-----	------------------

11.373 ESCUTCHEON— NUT, Seat Back with Springs (less Cushion)

70-75	Corvette (Spt. Cpe.),				
70-75	Corvette (Conv.) w/Deluxe				
	Shoulder Harness	3976549	L.H.	3.16	rr.
70-74	Corvette (Spt. Cpe.),				
70-75	Corvette (Conv.) w/Deluxe				
	Shoulder Harness	3976550	R.H.	3.16	rr.
70-74	Corvette (Spt. Cpe.),				
70-75	Corvette (Conv.) w/Deluxe				
	Shoulder Harness	3976551	L.H.	3.16	front
70-74	Corvette (Spt. Cpe.),				
70-75	Corvette (Conv.) w/Deluxe				
	Shoulder Harness	3976552	R.H.	3.16	front
70-76	Corvette (Spt. Cpe.),				

REAR GLASS—SEAT AND ADJUSTER

11.373 ESCUTCHEON— NUT, Seat Back with Springs (less Cushion) (Con't)

70-75	Corvette (Conv.) (exc. Deluxe Shoulder Harness)	3976548	2	3.16	front
63-74	Corvette	3828546	A.R.	.30	NUT, moulding rear anc.

11.373A CUSHION UNIT, Side Seat Back with Frame, Springs, and Padding (less trim cover)

70-75	Corvette	6260949	1	46.65	(less-trim)
--------------	----------------	----------------	---	-------	-------------------

11.375 BUSHING— HINGE— SCREW, Side Seat Hinge Arm

74	Corvette	339166	4	.30	BUSHING, seat back hinge
68-73	Corvette	339167	2	4.79	HINGE, left, seat back
68-73	Corvette	3913102	2		HINGE, right, seat back
63-66	Corvette	3863373	2	5.25	HINGE ASSY., left, seat back
74-76	Corvette	339168	2	4.96	HINGE, right, seat back
74-76	Corvette	339167	2	4.79	HINGE, left, seat back
63-76	Corvette	339165	4	.31	SCREW, seat back pivot (5/16" — 18)

11.376 ESCUTCHEON— BRACKET, Seat Headrest

66-69	Corvette	7842729	2	1.18	front seat headrest panel support
66-67	Corvette (exc. Astro. seat)	3888272	2	.43	BRACKET, headrest guide upper

11.381 BUMPER— BOLT ASSY.— SHIM— WASHER, Seat Back

63-67	Corvette	3832010	4	.15	
67-69	Corvette	7712536	2	.20	
70-72	Corvette	400765	2	.48	
73-76	Corvette	3973998	4	.53	BOLT ASSY., seat bumper
73-76	Corvette	3974077	4	.26	SHIM
73-76	Corvette	3977789	4	.10	WASHER, st. back bumper

11.390 LOCK ASSY.— BRACKET— BUMPER— BUTTON— CATCH— CLIP— COVER— CRANK— ESCUTCHEON— FORK— KNOB ASSY.— LEVER— ROD— SCREW— SHIM— SPACER— SPRING, Seat Back Lock

70-76	Corvette	9722796	2	16.50	
68-76	Corvette	3930417	L.H.	.20	BRACKET, left, panel
68-76	Corvette	3930418	R.H.	.20	BRACKET, right, panel
71-72	Corvette (Conv.)	3919164	4	.15	BUMPER, release button escutcheon
73-75	Corvette (Conv.)	6263557	2	.68	BUMPER, fldg. top compt. lid
69-76	Corvette	3976505	2	1.95	BUTTON, seat back lock rel.
69	Corvette	3956195	2	.90	CATCH, seat back lock fork
68-69	Corvette	3926219	2	.43	CATCH ASSY.
68-69	Corvette	3915627	2	1.01	ESCUTCHEON, release lever
70-75	Corvette	3997229	2	1.40	ESCUTCHEON, lock release button
67	Corvette	3903580	2	1.08	FORK
68-69	Corvette	3956196	2	.96	FORK
68	Corvette	7661259	A.R.	1.52	KNOB ASSY., driver and pass.
67	Corvette	3903570	2	1.13	KNOB ASSY., release
67	Corvette	3903577	2	.31	LEVER, release
69	Corvette	3945341	2	.43	LEVER, release
67	Corvette	3911151	2	.10	ROD, seat back locking
73-76	Corvette	3977788	2	.26	SHIM
68-69	Corvette	3926224	4	.10	SPACER, lock catch
68-69	Corvette	3913093	2	.10	SPRING, fork
68-69	Corvette	3928816	2	.20	SPRING, fork catch

11.419 FRAME ASSY., Seat Bottom, with Springs (less cushion)

11.419A CUSHION, Seat Bottom, with Frame, Springs, and Padding (less trim cover)

70-74	Corvette	6258386	1	55.20	
75	Corvette	360049	1	55.20	

11.561 ADJUSTER ASSY.— BRACKET— SCREW, Front Seat

NOTE. 1963-6 Corvette Seat adj. are not serviced separately. See group 11.419.

67	Corvette	3899247	2	13.25	left
67	Corvette	3899248	2	16.50	right
68-71	Corvette	3913069	2	12.25	left
68-73	Corvette	3913070	2	12.25	right
72-74	Corvette	3996859	2	12.25	left
72-74	Corvette	342218	2	12.25	right
75	Corvette	345489	1	12.25	left (driver st.)
75	Corvette	345490	1	12.25	right (driver st.)
75	Corvette	355393	1	12.25	ADJUSTER ASSY., left (pass. st.)
75	Corvette	355394	1	12.25	ADJUSTER ASSY., right (pass. st.)
64-66	Corvette	3846885	4	.15	BRACKET, seat adjuster retainer

REAR GLASS—SEAT AND ADJUSTER

11.561 ADJUSTER ASSY.— BRACKET— SCREW, Front Seat (Con't)

68-74	Corvette	3932939	2	1.13	BRACKET , seat adjuster handle guide
75-76	Corvette	355383	2	1.05	BRACKET , seat adjuster handle guide
63-66	Corvette	3833220	4	.11	SCREW , seat back cushion spring and frame adjuster (⁵ / ₁₆ "— 18 x 1 ¹ / ₄ ")

11.581 SPRING, Front Seat Adjuster

67	Corvette	3844727	2	.29	lock lower
68-74	Corvette	3918611	1	.43	lower, guide

11.588 HANDLE— KNOB, Front Seat Adjuster

64-66	Corvette	3863278	2	3.20	driver and pass. adjuster
65-72	Corvette	3846934	2	2.78	KNOB , driver and pass— (10.512)

11.927 REFLECTOR— BRACKET— HOUSING— NUT— PLATE— SOCKET ASSY., Dome Lamp

63-67	Corvette	4237256	A.R.		dome lamp— (11.928)
69-73	Corvette	4826802	A.R.	8.50	side roof rail lamp w/socket, rear compt. lamp, rr. compt. courtesy lamp
69-70	Corvette (Spt. Cpe.)	3954550	1	.39	BRACKET , rear comp. lamp mounting
68	Corvette (Spt. Cpe.)	3940637	1	1.35	BRACKET ASSY. , left, housing
68	Corvette (Spt. Cpe.)	3940638	1	1.35	BRACKET ASSY. , right, housing
68	Corvette (Spt. Cpe.)	3935511	1	.80	HOUSING , left
68	Corvette (Spt. Cpe.)	3935512	1	.90	HOUSING , right
74	Corvette	6270493	1	.90	HOUSING , rr. compt. courtesy lamp
68	Corvette (Spt. Cpe.)	3926341	1	.14	NUT , housing (anchor)
68	Corvette (Spt. Cpe.)	9704563	2		PLATE , housing
71-73	Corvette	3995088	1	.46	PLATE , rear compt. lamp mtg.
74-75	Corvette	339629	1	.46	PLATE , rear compt. lp. mounting
76	Corvette	362969	1		PLATE , rear compt. lamp mtg.
63-67	Corvette	4234956	A.R.	2.15	SOCKET ASSY. , side roof rail lamp

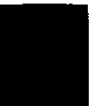
11.928 LENS, Dome Lamp

63-67	Corvette (Spt. Cpe.)				
69-73	Corvette	4837868	A.R.	.96	side roof rail dome lamp, rear compt. lamp ..
68	Corvette (Spt. Cpe.)	3926436	2	2.29	
74	Corvette	336201	1	.33	rear compt. courtesy lamp

11.950 SWITCH, Dome Lamp Door Jamb

63-67	Corvette	3843463	1	1.01	front compt. lamp (w/ ³ / ₈ " thread)
68-75	Corvette	3928753	2	1.12	SWITCH ASSY. , courtesy and key warning ..
68-72	Corvette				SWITCH ASSY. , door ajar warning lamp, ..
69-74	Corvette	3929804	A.R.	1.18	hood open warning
73	Corvette	402451	2		SWITCH ASSY. , door ajar warning lamp ..
74-76	Corvette	6258295	2	.78	SWITCH ASSY. , door ajar warning lamp ..

GROUP 12.000
METAL TRIM —
PANELS AND CLIPS



METAL TRIM—CLIPS AND PANELS

12.009 COVER—RETAINER, Ash Receiver			
68-76	Corvette	3947951	1 1.30 ash tray
68-76	Corvette	3977862	1 2.15 RETAINER, ash tray cover
12.016 CLIP— GUIDE, Ash Receiver Mounting			
68-75	Corvette	3942119	1 .13 ash tray cover
68-76	Corvette	3915676	2 .17 GUIDE, ash tray cover
12.030 TRAY ASSEMBLY, Ash			
53-56	Corvette		door arm rest,
57-62	Corvette	3781773	1 5.65 in tunnel
63-76	Corvette	3823400	1 2.50
12.048 ESCUTCHEON, Ash Tray			
53-55	Corvette	4146967	2 .65 in tunnel
12.075 MOULDING— MOULDING ASSY.— CAP— SCREW— STRIP, Roof Drip			
63-67	Corvette w/Hardtop	3887443	L.H. 15.50 left, side rear
63-67	Corvette w/Hardtop	3827050	R.H. 6.25 right, side front
63-67	Corvette w/Hardtop	3827049	L.H. 6.25 left, side front
63-67	Corvette w/Hardtop	3827170	R.H. 6.35 right, side front garnish
63-67	Corvette w/Hardtop	3827172	R.H. 8.25 right, side center garnish
66-67	Corvette w/Hardtop	3887443	L.H. 15.50 left side rear
64-66	Corvette (Spt. Cpe.)	3846953	L.H. 1.76 left, garnish
64-66	Corvette (Spt. Cpe.)	3846954	R.H. 1.76 right, garnish
68-75	Corvette (Conv.) w/aux. top	3926408	1 12.05 front
68-75	Corvette (Conv.) w/aux. top	3912798	R.H. 3.92 right, side front
68-75	Corvette (Conv.) w/aux. top	3912797	L.H. 3.92 left, side front
68-69	Corvette (Spt. Cpe.)	3934934	R.H. 6.10 right, rear roof
68-69	Corvette (Spt. Cpe.)	3934933	L.H. 6.10 left, rear roof
68-76	Corvette (Spt. Cpe.)	3972304	R.H. 4.60 right front roof panel side
68-76	Corvette (Spt. Cpe.)	3972303	L.H. 4.60 left front roof panel side
68-75	Corvette (Spt. Cpe.)	3972308	R.H. 6.45 right rear roof
70-75	Corvette (Spt. Cpe.)	3972307	L.H. 6.45 left rear roof
68-75	Corvette (Spt. Cpe.)	3935667	L.H. 5.75 MOULDING ASSY., left, front roof panel front
68-75	Corvette (Spt. Cpe.)	3935668	R.H. 5.75 MOULDING ASSY., right, front roof panel front
63-67	Corvette w/Hardtop	3827014	R.H. 3.68 CAP, right, side mldg.
63-67	Corvette w/Hardtop	3827013	L.H. 3.68 CAP, left, side mldg.
68-76	Corvette	3972306	R.H. 1.33 CAP, right, roof panel drip mldg.
68-76	Corvette	3972305	L.H. 1.33 CAP, left, roof panel drip mldg.
64-71	Corvette	588546	A.R. .10 SCREW, side roof front and rear (No. 8 18 x 7/16")— (12.118)
70-71	Corvette (Spt. Cpe.)	9431792	6 .08 SCREW, rear roof mldg.
69-73	Corvette (Conv.) w/aux. top	3958736	2 .20 STRIP, rf. drip side mldg.
69-74	Corvette	7647551	2 2.95 STRIP, frt. roof pillar side drip mldg. sealing
12.080 RETAINER— CLIP, Scalp Vinyl Roof Panel Cover			
<i>For Retainers and Clip see group 13.348.</i>			
12.110 NUT, Cowl Belt			
58	Corvette	4644959	A.R. .10 windshield lower frame
12.112 MOULDING ASSY., Corvette Side Door			
56-61	Corvette	3730114	R.H. 4.36 right, lower (st. steel)
56-61	Corvette	3730113	L.H. 4.36 left, lower (st. steel)
56-61	Corvette	3730112	R.H. 4.36 right, upper (st. steel)
56-61	Corvette	3730111	L.H. 4.36 left, upper (st. steel)
56-61	Corvette	3730115	2 2.03 end (st. steel)
12.118 CLIP, Belt Moulding			
53-62	Corvette	4603364	A.R. .17 fldg. top compt. lid outer moulding
12.118A NUT ASSY.— SCREW— BOLT ASSY., Rear Door and Quarter Moulding			
53-72	Corvette	9419761	A.R. .10 rear fender peak mldg. (1/8") metal— (8.147)
53-72	Corvette	9420202	A.R. .10 rear fender peak mldg. (1/8") fiber— (8.921)
64-75	Corvette	588546	A.R. .10 SCREW, rear of rear fender moulding rr. of rr. fender mldg., rr. of fndr. pinchweld mldg. (No. 8— 18 x 7/16")
56-60	Corvette	3730104	A.R. .17 BOLT ASSY., upr., lwr., end mldg.— (8.133)
12.121 STUD— SCREW, Corvette Body Rear Panel			
56-62	Corvette	3726873	2 .72 roof panel (9/16"— 18 x 1)
56-75	Corvette w/Aux. Top	3727973	4 .37 SCREW, roof panel (1/4"— 28 x 9/16") (st. steel)

METAL TRIM—CLIPS AND PANELS

12.170 LID ASSY.— BOLT— BUMPER— BUSHING— CABLE ASSY.— GROMMET— PANEL— PLATE— SPACER— SUPPORT ASSY., Folding Top Compartment

68-75	Corvette	3986610	1	124.75	
70-75	Corvette	3976451	4	.10	BOLT, lid lock pin hsg.
62-69	Corvette	4573914	2	.22	BUMPER, lid— (10.587)
70-75	Corvette	3948108	2	1.01	BUMPER, lid
70-75	Corvette	3976442	2	.26	BUSHING, lid lock pin hsg.
63-73	Corvette	3797115	2	1.43	CABLE ASSY., lid lock remote control— (8.075)
63-75	Corvette	3839173	2	.10	GROMMET, lid lock remote control cable— (8.077)
63-67	Corvette	3846389	L.H.	12.45	PANEL, left, linkage cover
63-67	Corvette	3846390	R.H.	12.45	PANEL, right linkage cover
63-70	Corvette	4426757	1	.31	PLATE, lid wedge— (10.584)
63-71	Corvette	3832531	2	.40	PLATE, lid wedge tapping
63-75	Corvette	3928830	2	.31	PLATE, lid lock wear
68-72	Corvette	4523881	A.R.	.10	SPACER, lid wge. plt. shim— (10.584)
70-75	Corvette	3995065	L.H.	.85	SUPPORT ASSY., left lid lock pin hsg.
70-75	Corvette	3995066	R.H.	.85	SUPPORT ASSY., right lid lock pin hsg.

12.182 EMBLEM— BEZEL— LETTER UNIT— MOULDING— NUT ASSY.— PLATE— SEAL, Rear Compartment Lid and Rear End Panel

56-57	Corvette	3725754	1	6.50	body rear— (8.055)
58-62	Corvette	3796462	1	6.50	body rear— (8.055)
56-57	Corvette	3725755	1	4.95	BEZEL, body rear emblem— (8.055)
58-62	Corvette	3740239	1	4.95	BEZEL, body emblem— (8.055)
68-73	Corvette	3927979	1	7.95	LETTER UNIT, body rear ("Corvette")
74-75	Corvette	6260519	1	7.95	LETTER UNIT, body rear (Corvette)— (8.055)
61-62	Corvette	3779884	R.H.	5.01	MOULDING, right, folding top compt. lid ...
53-72	Corvette	9419761	A.R.	.10	NUT ASSY., name plate, emblem and ornament metal (1/8")— (8.147)
53-72	Corvette	9420202	A.R.	.10	NUT ASSY., name plate, emblem and ornament (1/8") fiber— (8.921)
57	Corvette w/F.I.	3742212	2	1.86	PLATE ("Fuel Injection")— (8.147)
58-61	Corvette	3740240	1	4.75	PLATE, body emblem backing— (8.055) ...
62	Corvette	3796464	1	1.20	PLATE, body emblem backing— (8.055) ...
63-65	Corvette	3797414	1	3.16	PLATE, body rear name
66-67	Corvette	3873776	1	4.75	PLATE, body rear name— (8.055)
58-62	Corvette	3753163	1	.45	SEAL, body emblem— (8.055)

12.184 HINGE— NUT— REINFORCEMENT ASSY.— SHIM— SPACER, Rear Compartment

68-69	Corvette (Conv.)	3930348	2	6.39	folding top compt. lid
70-75	Corvette (Conv.)	3995021	2	6.20	lid
63-75	Corvette (Conv.)	3968893	2	.33	NUT, fldg. top compt. lid hinge anchor
68-70	Corvette (Conv.)	3921524	R.H.	1.35	REINFORCEMENT ASSY., folding top hinge support
68-70	Corvette (Conv.)	3921523	L.H.	1.58	REINFORCEMENT ASSY., folding top hinge support
71-75	Corvette (Conv.)	3995025	L.H.	1.40	REINFORCEMENT ASSY., folding top hinge support
71-75	Corvette (Conv.)	3995026	R.H.	1.40	REINFORCEMENT ASSY., folding top hinge support
63-74	Corvette (Conv.)	3825694	A.R.	.14	SHIM, fldg. top compt. lid hinge support ...
71-75	Corvette (Conv.)	3995024	1	2.00	SPACER, fldg. top hinge support reinforcement

12.195 RING— GASKET, Door Handle Push Button

68	Corvette	4168356	A.R.	.24	lock bottom stop
70-76	Corvette	4587931	2	.21	GASKET, door lock cyl.— (12.249)

12.237 PLATE, Rear Compartment Lid Lock

61-62	Corvette	4753882	1	.41	PLATE, lock striker retainer
-------	----------	---------	---	-----	-----------------------------------

12.237A STRIKER— NUT— PLATE— SEAT ASSY.— SPACER, Folding Top Compartment Lid Lock

63-75	Corvette	3778599	2	.96	(16.335)
63-75	Corvette	3918539	2	.58	NUT, striker anchor
63-67	Corvette	4843705	2	.36	PLATE, fldg. top compt. lid wedge— (10.584)
60-62	Corvette	3767846	1	.39	SEAT ASSY., pop-up spring— (8.085)
63-75	Corvette	3778601	4	.20	SPACER, striker

METAL TRIM—CLIPS AND PANELS

12.242 LOCK ASSY.— SCREW, Rear Compartment Lid

59-60	Corvette	4671282	1	8.75	rear compartment
61-62	Corvette	4753019	1	7.35	rear compartment
59-60	Corvette	4577250	3	.10	SCREW, rear compt. lid (1/4" — 20 x 5/8")

12.242A LOCK ASSY.— BOLT— CABLE ASSY.— CONTROL ASSY.— GUIDE— SEAT ASSY.— SPRING, Folding Top Compartment Lid

63-75	Corvette	3915781	2	6.50	
58-62	Corvette	3782560	1	.65	BOLT, folding top compartment lock (3 3/4" long)— (8.085)
67-73	Corvette	3797115	2	1.43	CABLE ASSY., remote control lid lock— (8.075) (Note 1)
63-75	Corvette	3945236	1	4.00	CONTROL ASSY., lock remote control
63-71	Corvette	3796374 A.R.		.16	GUIDE, lock remote control cable stop— (3.431)
60-62	Corvette	3767846	1	.39	SEAT ASSY., pop-up spring— (8.085)
63-64	Corvette				
69-73	Corvette	3795387	1	.54	SPRING, lock remote control— (12.945)
69-74	Corvette	3926212	1	.72	SPRING, lock remote control

NOTE 1 Cut to required lg. and rework as required.

12.246 NUT, Rear Compartment Emblem

58-59	Corvette	9419763 A.R.		.10	lid mldg. (3/16"), rear emblem and name plate— (8.147)
-------	----------	--------------	--	-----	--

12.247 FERRULE, Rear Compartment Lid Lock

53-62	Corvette	4154732	1	1.15	fldg. top compt. (1 I.D. x 1 1/2" O.D.)
-------	----------	---------	---	------	--

12.249 SPRING— SPRING UNIT— ESCUTCHEON— GASKET— HOUSING— RETAINER— RETAINER UNIT— TUMBLER UNIT, Rear Compartment Lid Lock

61-62	Corvette	7001087	1	.32	cylinder coil
53-72	Corvette	3901067 A.R.		1.20	SPRING UNIT (contains 100 pcs.)— (10.553)
56-75	Corvette	3724481	1	1.95	ESCUTCHEON, cylinder
	Not required in this group. See group 12.195				
		4587931	1	.21	GASKET
53-62	Corvette	7015899	1	.35	HOUSING, lock cylinder
56-60	Corvette	3724482	1	.92	RETAINER, lock cylinder
53-72	Corvette	601261 A.R.		.61	RETAINER UNIT (contains 12 retainer)— (10.553)
53-72	Corvette	3901063 A.R.		2.75	TUMBLER UNIT, No. 3 (contains 100 tumblers)— (10.553)
53-72	Corvette	3901061 A.R.		2.75	TUMBLER UNIT, No. 1 (contains 100 pcs.)— (10.553)
53-72	Corvette	3901062 A.R.		2.75	TUMBLER UNIT, No. 2 (contains 100 pcs.)— (10.553)
53-72	Corvette	3901064 A.R.		2.75	TUMBLER UNIT, No. 4 (contains 100 pcs.)— (10.553)
67-72	Corvette	3901065 A.R.		2.75	TUMBLER UNIT, No. 5 (contains 100 pcs.)— (10.553)

12.251 KEY BLANK, Rear Compartment Lock Handle

53-66	Corvette	3694624 A.R.		.15	(octagon head)— (2.187)
-------	----------	--------------	--	-----	-------------------------

12.252 SHAFT, Rear Compartment Lock Handle

61-62	Corvette	3788294	1	.26	(3 7/8" long)
-------	----------	---------	---	-----	---------------

12.269 WEATHERSTRIP, Rear Compartment Lid

53-62	Corvette	3814213 A.R.		6.75	(160" long) (rubber)— (13.352)
-------	----------	--------------	--	------	--------------------------------

12.579 TRAY— WASHER, Spare Tire Cover

63-67	Corvette	3841700	1	22.90	spare wheel
68-76	Corvette	3914225	1	23.50	spare wheel
68-72	Corvette	3790768	1	.11	WASHER, spare wheel latch lock bolt

12.800 PANEL— GRILLE— WEATHERSTRIP, Cowl Ventilator

68-72	Corvette	3938153	1	35.00	air inlet grill
63-67	Corvette	3797077	1	7.60	GRILLE, air intake, left
63-67	Corvette	3797078	1	7.60	GRILLE, air intake, right
73-76	Corvette	331805	1	8.05	GRILLE, hood air inlet
53-62	Corvette	3706914	1	2.10	WEATHERSTRIP

12.801 WEATHERSTRIP, Hood Ledge (Cowl)

53-57	Corvette	3814213	1	6.75	(rubber)— (13.352)
58-62	Corvette	3749819	1	2.95	(rubber) 29" long "V"

METAL TRIM—CLIPS AND PANELS

12.801 WEATHERSTRIP, Hood Ledge (Cowl) (Con't)

63-76 Corvette 3914293 1 2.95 (approx. length 65")

12.803 PANEL, Cowl and Dash

SPECIAL NOTE Does not include w/s Inner and Outer Side Frames, w/s Inner Upper Frame, Front Body Hinge Pillar or Instrument Panel.

68-76 Corvette 342294 1 18.85 plenum center (Note 2)

NOTE 2: When used on models prior to 1973 add holes as required.

68-74 Corvette 342257 1 dash

75 Corvette 345477 1 86.40 dash

12.804 PANEL— BRACE— COVER— COVER ASSY.— GUTTER— SEAL, Cowl Side

58-62 Corvette 3749209 L.H. 19.35 cowl side trim (plastic laminate)

67 Corvette 3897401 L.H. 8.50 plenum side

68-69 Corvette 3918593 L.H. 3.36 plenum side extension

68-69 Corvette 3918594 R.H. 3.36 plenum side extension

68-74 Corvette 3922346 R.H. 1.05 front fender to plenum filler

68-74 Corvette 3922345 L.H. 1.05 front fender to plenum filler

68-75 Corvette 339171 L.H. 9.00 plenum side

68-76 Corvette 339172 R.H. 9.00 plenum side

68-76 Corvette 3996845 L.H. 6.00 dash extension

68-76 Corvette 3996846 R.H. 6.00 dash extension

68-72 Corvette w/C.A.C. 336109 1 7.85 center, plenum panel filler— (9.262)

70-72 Corvette 3963174 R.H. 3.25 plenum side ext.

70-72 Corvette 3963173 L.H. 3.25 plenum side ext.

69-76 Corvette 334793 L.H. 4.70 **BRACE**, body hinge pillar

69-76 Corvette 334794 R.H. 4.70 **BRACE**, body hinge pillar

68-76 Corvette 333421 L.H. 4.55 **COVER**, pillar to dash trim kick pad (paint as required)

68-76 Corvette 333422 R.H. 4.55 **COVER**, pillar to dash trim kick pad (paint as required)

63-67 Corvette 3862647 L.H. 6.15 **COVER ASSY.**, pillar to dash trim (black) ..

65-66 Corvette 3880147 L.H. **COVER ASSY.**, pillar to dash trim (saddle) ..

63-67 Corvette (exc. C.A.C.) 3797372 2 .11 **SEAL**, ventilation air outlet

12.804A ROD— BRACKET— REINFORCEMENT— SUPPORT, Corvette Front Top Panel

63-67 Corvette 3828405 1 .64 hinge pillar brace to dash panel

63-67 Corvette 3797461 2 .24 **REINFORCEMENT**, plenum side panel support

68-76 Corvette 3911109 2 .24 **REINFORCEMENT**, plenum side panel support

63-67 Corvette 3837516 2 .63 **SUPPORT**, plenum side panel

68-76 Corvette 3904998 2 1.35 **SUPPORT**, plenum side panel

12.807 FRAME ASSY.— SCREW— SPACER, Windshield Upper & Lower

68-74 Corvette 3930888 1 12.65 lower

73-75 Corvette 6258542 1 11.30 lower outer

68 Corvette (Conv.) (2nd design),

69-75 Corvette 3936231 1 14.75 upper (Note 1)

NOTE 1: When using on the Cpe. model, cut out a 6²³/₃₂" x 1 section at inner center location to attach center strut assy.

73 Corvette (Conv.) **SCREW**, fldg. top compt. lid loc pin,

69-76 Corvette 3958726 A.R. .26 head guide

69-75 Corvette (Conv.) w/aux. top 3958727 A.R. .26 **SCREW**, head guide

68-69 Corvette (Conv.) w/aux. top 3935509 2 1.22 **SPACER**, head guide

12.808 FRAME— FRAME ASSY., Windshield Side

58-62 Corvette 3762680 R.H. 25.75 right

63-67 Corvette 3829252 R.H. 11.95 right

68-72 Corvette 3930890 R.H. 9.85 **FRAME ASSY.**, lower corner

68-72 Corvette 3930889 L.H. 9.85 **FRAME ASSY.**, lower corner

68-75 Corvette 3936228 R.H. 5.90 **FRAME ASSY.**, upper corner

68-75 Corvette 3936227 L.H. 5.90 **FRAME ASSY.**, upper corner

73-75 Corvette 6258543 L.H. 8.80 **FRAME ASSY.**, lower corner

73-75 Corvette 6258544 R.H. 8.80 **FRAME ASSY.**, lower corner

12.810 PANEL— PANEL ASSY.— BAG ASSY.— BRACKET— CAP— CLIP— FILLER ASSY.— HOUSING ASSY.— LOCK— LOCK ASSY.— MOULDING— NUT— PIN— REINFORCEMENT— RETAINER— SEALER— SHIM— SPACER— STRIP— SUPPORT ASSY.— SUPPORT— WASHER— WEATHERSTRIP ASSY., Corvette Top Roof Outer

66-67 Corvette (Spt. Cpe.) 3888209 L.H. 62.45 left, rear repair

66-67 Corvette (Spt. Cpe.) 3888210 R.H. 62.45 right, rear repair

68-74 Corvette (Spt. Cpe.) 3935563 L.H. left rear inner center

68-74 Corvette (Spt. Cpe.) 3935564 R.H. right, rear inner center

METAL TRIM—CLIPS AND PANELS

12.810 PANEL—PANEL ASSY.—BAG ASSY.—BRACKET—CAP—CLIP—FILLER ASSY.—HOUSING ASSY.—LOCK—LOCK ASSY.—MOULDING—NUT—PIN—REINFORCEMENT—RETAINER—SEALER—SHIM—SPACER—STRIP—SUPPORT ASSY.—SUPPORT—WASHER—WEATHERSTRIP ASSY., Corvette Top Roof Outer (Con't)

75-76	Corvette (Spt. Cpe.)	345466 R.H.	3.29	inner rear center
75-76	Corvette (Spt. Cpe.)	345485 L.H.	4.60	inner rear center
68	Corvette (Spt. Cpe.)	3935662 R.H.	6.90	PANEL ASSY., right roof inner rear
68	Corvette (Spt. Cpe.)	3935661 L.H.	6.90	PANEL ASSY., left, rear roof inner rear
68-71	Corvette (Spt. Cpe.)	3964560 R.H.	100.50	PANEL ASSY., right, roof repair
68-71	Corvette (Spt. Cpe.)	3964559 L.H.	94.90	PANEL ASSY., left, roof repair
68-73	Corvette (Spt. Cpe.)	327669 1	198.00	PANEL ASSY., rear
74-76	Corvette (Spt. Cpe.) w/C.A.C.	336168 1	209.00	PANEL ASSY., rear
75-76	Corvette (Spt. Cpe.)	345467 L.H.	10.30	PANEL ASSY., rear roof inner rear
75-76	Corvette (Spt. Cpe.)	345468 R.H.	10.30	PANEL ASSY., rear roof inner rear
68-76	Corvette (Spt. Cpe.)	333325 2	15.65	BAG ASSY., roof panel stor. (comb. 411, 412, 414, 415) (med. blue)
68	Corvette (Spt. Cpe.)	3942755 2		BAG ASSY., roof panel stor. (comb. 435, 436) (tobacco)
68-69	Corvette (Spt. Cpe.)	3942756 2		BAG ASSY., roof panel stor. (comb. 411, 412) (dk. blue)
68-69	Corvette (Spt. Cpe.)	3942758 2		BAG ASSY., roof panel stor. (comb. 420, 421) (saddle)
69	Corvette	3963159 1		BAG ASSY., roof panel stor. (comb. 427, 428) (green)
70	Corvette (Spt. Cpe.)	3966377 2	14.05	BAG ASSY., pnl. stor. (medium saddle) (comb. 418, 424)
70	Corvette (Spt. Cpe.)	3966530 2	14.05	BAG ASSY., pnl. stor. (dark green) (comb. 422)
68-76	Corvette (Spt. Cpe.)	3935599 2	.36	BRACKET, rear roof panel hdng. trim
68-76	Corvette (Spt. Cpe.)	3942737 L.H.	.44	BRACKET, left rear roof panel hdng. trim
68-76	Corvette (Spt. Cpe.)	3942738 R.H.	.36	BRACKET, right rear roof panel hdng. trim
68	Corvette (Conv.) w/aux. top	3942741 L.H.	4.40	CAP, left, roof panel
68	Corvette (Conv.) w/aux. top	3942742 R.H.	4.55	CAP, right, roof panel
69-75	Corvette (Conv.) w/aux. top	3966792 R.H.	5.15	CAP, right, roof panel
69-75	Corvette (Conv.) w/aux. top	3966791 L.H.	5.15	CAP, left, roof panel
68-76	Corvette (Spt. Cpe.)	3932979 A.R.	.14	CLIP, frt. roof center lower support holding
73-76	Corvette	331861 L.H.	2.15	FILLER ASSY., w/s lwr. corner outer frame
73-76	Corvette	331862 R.H.	2.15	FILLER ASSY., w/s lwr. corner outer frame
68-75	Corvette (Spt. Cpe.)	3932971 L.H.	2.95	HOUSING ASSY., left, front rf. center lock front
68-76	Corvette (Spt. Cpe.)	3932972 R.H.	2.95	HOUSING ASSY., right, front rf. center lock front
68-76	Corvette (Spt. Cpe.)	3932973 L.H.	2.95	HOUSING ASSY., left, front rf. center lock rear
68-76	Corvette (Spt. Cpe.)	3932974 R.H.	2.95	HOUSING ASSY., right, front rf. center lock rear
68-76	Corvette (Spt. Cpe.)	3932968 4	2.05	LOCK, front roof center
68-76	Corvette (Spt. Cpe.)	3962805 A.R.	11.20	LOCK ASSY., roof panel (rear R.H., front L.H.)
68-76	Corvette (Spt. Cpe.)	3962806 R.H.	11.20	LOCK ASSY., roof panel (rear L.H., front R.H.)
68-76	Corvette (Spt. Cpe.)	3935508 2	2.30	MOULDING, rear roof lower
68-74	Corvette (Spt. Cpe.)	3966658 1	50.25	MOULDING, rr. center supt. reveal (Note 2)
75-76	Corvette (Spt. Cpe.)	345446 1	50.25	MOULDING, roof center support reveal
<i>NOTE 2 It is necessary to use two 396660 brkts. Drill two 3/8 counter sunk holes in each head (cor. mldg. using outer holes of ctr. mldg. as Tmpl.)</i>				
69-70	Corvette (Spt. Cpe.)	442497 6	.10	NUT, roof mldg.—10-32 CZ—(8.925)
70-76	Corvette (Spt. Cpe.)	3935686 4	.25	NUT, storage strap hngr.
68-76	Corvette (Spt. Cpe.)	3934929 2	1.75	PIN, front roof wedge
68-75	Corvette (Spt. Cpe.)	3935566 R.H.	4.75	REINFORCEMENT, right, rear roof panel front
68-75	Corvette (Spt. Cpe.)	3935565 L.H.	4.75	REINFORCEMENT, left, rear roof panel front
74-76	Corvette (Spt. Cpe.)			REINFORCEMENT, roof panel, rear
74-75	Corvette (Conv.)	336187 1	21.20	body rear upper panel
75-76	Corvette (Spt. Cpe.)	345448 1	20.65	REINFORCEMENT, rr. rf. pnl. frt.
68-76	Corvette (Spt. Cpe.)	3926266 R.H.	.39	RETAINER, right, front rf. lock wedge top plate
68-76	Corvette (Spt. Cpe.)	3926265 L.H.	.39	RETAINER, left, front rf. lock wedge top plate
70-76	Corvette (Spt. Cpe.)	3966777 L.H.	4.20	RETAINER, w/weatherstrip frt. roof panel
70-76	Corvette (Spt. Cpe.)	3966778 R.H.	4.20	RETAINER, w/weatherstrip frt. roof panel
70-72	Corvette (Spt. Cpe.)	3995061 A.R.	1.30	SEALER, foam core between roof mldg. and roof panel
68-74	Corvette (Spt. Cpe.)	3932969 A.R.	.10	SHIM, front roof center lock

METAL TRIM—CLIPS AND PANELS

12.810 PANEL— PANEL ASSY.— BAG ASSY.— BRACKET— CAP— CLIP— FILLER ASSY.— HOUSING ASSY.— LOCK— LOCK ASSY.— MOULDING— NUT— PIN— REINFORCEMENT— RETAINER— SEALER— SHIM— SPACER— STRIP— SUPPORT ASSY.— SUPPORT— WASHER— WASHBOARD ASSY., Corvette Top Roof Outer (Con't)

73-76	Corvette (Spt. Cpe.)	3781287	8	.13	SPACER, storage strap hngr.
63-67	Corvette (Spt. Cpe.)	3841906	R.H.	4.50	STRIP, right, pnl. side frt. bonding (Note 1)
<i>NOTE 1 On 63 mdl's. rework frt. inner corner as required.</i>					
68-76	Corvette (Spt. Cpe.)	3935539	1	3.25	STRIP, front roof center upper support bond
68-74	Corvette (Spt. Cpe.)	3932950	1	13.45	SUPPORT ASSY., frt. roof center upper
68-74	Corvette (Spt. Cpe.)	3948146	1	10.50	SUPPORT ASSY., frt. roof center lower
75-76	Corvette (Spt. Cpe.)	345470	1	10.50	SUPPORT, frt. roof center lower
75-76	Corvette (Spt. Cpe.)	345447	1	14.00	SUPPORT, frt. roof center upper
70-75	Corvette	3922439	A.R.	.10	WASHER, roof panel side weatherstrip— (12.840)
70-75	Corvette (Spt. Cpe.)	3966796	6	.13	WASHER, rear roof mldg.
68	Corvette (Spt. Cpe.)	3935521	L.H.		WEATHERSTRIP ASSY., left, front roof panel
68	Corvette (Spt. Cpe.)	3935522	R.H.	21.95	WEATHERSTRIP ASSY., right, front roof panel
69	Corvette (Spt. Cpe.)	3965151	L.H.	25.00	WEATHERSTRIP ASSY., left, front roof panel
69	Corvette (Spt. Cpe.)	3965152	R.H.	25.00	WEATHERSTRIP ASSY., right, front roof panel
70-75	Corvette (Spt. Cpe.)	3966572	R.H.	25.00	WEATHERSTRIP ASSY., right front panel
70-75	Corvette (Spt. Cpe.)	3966571	L.H.	25.00	WEATHERSTRIP ASSY., left, front panel

12.810A PLATE— SLEEVE, Corvette Top Roof Inner

68-76	Corvette (Spt. Cpe.)	3926263	1	.80	front roof locating wedge tappet
68-76	Corvette (Spt. Cpe.)	3947910	R.H.	1.50	right, front roof locating wedge cover
68-76	Corvette (Spt. Cpe.)	3947909	L.H.	1.50	left, front roof locating wedge cover
68-76	Corvette (Spt. Cpe.)	3948067	L.H.	4.00	left, rear roof inner panel striker (Note 1)
<i>NOTE 1: When using 3948067 it may be necessary to remove outer upr. frt. flg. or rr. Headlining Trim Asm. for clearance.</i>					
68-76	Corvette (Spt. Cpe.)	3948068	R.H.	4.00	right, rear roof inner panel striker
70-72	Corvette (Spt. Cpe.)	3781287	A.R.	.13	SLEEVE, storage strap hanger

12.811 MOTOR UNIT— FAN ASSY.— GRILLE— GRILLE ASSY.— HOSE— SCREW, Roof Ventilation

64-65	Corvette (Spt. Cpe.)	4914906	1	21.63	blower— (8.855)
64-65	Corvette (Spt. Cpe.)	3905776	1	4.34	FAN ASSY., blower— (8.857)
64-65	Corvette (Spt. Cpe.)	3850823	L.H.	5.15	GRILLE, left, upper
64-65	Corvette (Spt. Cpe.)	3850825	L.H.	5.15	GRILLE, left, lower
64-65	Corvette (Spt. Cpe.)	3850824	R.H.	5.15	GRILLE ASSY., right, upper
64-65	Corvette (Spt. Cpe.)	3850826	R.H.	5.15	GRILLE ASSY., right, lower
64-65	Corvette (Spt. Cpe.)	3849219	1	1.97	HOSE, drain
64-65	Corvette (Spt. Cpe.)	3849790	2	.07	SCREW, grille attaching

12.815 CARRIER UNIT— CAP— NUT— NUT ASSY.— PIN— PLATE— RACK ASSY.— SCREW— SUPPORT— WASHER, Luggage Deck Lid

70-75	Corvette	994628	1	55.00	
67-73	Corvette	3931559	A.R.	.26	CAP, tube closure (Note 2)
<i>NOTE 2 Used with 987195.</i>					
73-78	Corvette w/rr. window defroster	528846	3	.25	NUT ASSY., rr. wdo. defg. blo.
74-75	Corvette	342271	6	.20	NUT, deck lid lugg. carr. sealing
66-68	Corvette	3900398	2	.85	PIN, ski rack lk.
66	Corvette	3874282	4	1.50	PLATE, mounting
66-68	Corvette	3900396	2	11.30	RACK ASSY., ski
65-67	Corvette (Spt. Cpe.)	3875083	2	1.98	SCREW, front support (10— 16 x 8)
66-70	Corvette	3895152	4	.15	SCREW (1/4" — 20 x 3/4")
66-66	Corvette (Conv.)	3874284	2	1.50	SUPPORT, frt. (1/4" long)
65-67	Corvette (Spt. Cpe.)	3875082	2	3.09	SUPPORT, frt. decklid carr.
74-75	Corvette	342273	6	.10	WASHER, deck lid lugg. carr.

12.840 PILLAR— PILLAR ASSY.— BRACE— BRACKET— BRACKET ASSY.— GUSSET ASSY.— EXTENSION— PLATE ASSY.— REINFORCEMENT— SCREW— STRIP— SUPPORT— WASHER, Front Body Hinge

63-67	Corvette	3797105	L.H.	15.40	left
68-76	Corvette	3942748	R.H.	5.00	right, body hinge
69-76	Corvette	3942747	L.H.	5.00	left body hinge
63-67	Corvette	3910119	L.H.	21.30	PILLAR ASSY., left
68-72	Corvette	3936230	R.H.	26.65	PILLAR ASSY., right
68-74	Corvette	6258637	L.H.	23.80	PILLAR ASSY., body hge.
73-74	Corvette	6258638	R.H.	23.80	PILLAR ASSY., body hge.

METAL TRIM—CLIPS AND PANELS

12.840 PILLAR—PILLAR ASSY.—BRACE—BRACKET—BRACKET ASSY.—GUSSET ASSY.—EXTENSION—PLATE ASSY.—REINFORCEMENT—SCREW—STRIP—SUPPORT—WASHER, Front Body Hinge (Con't)

68-69	Corvette (Conv.) (exc. C.A.C.)	3942732	1	1.28	BRACE , w/b to body hge. plr. gusset (19 ³ / ₄ " O.L.)
68-75	Corvette (Conv.) w/C.A.C.	3947940	1	7.05	BRACE , u/b to body hinge plr. gusset
69-75	Corvette (Conv.) (2nd design) (exc. C.A.C.)	3962659	1	1.28	BRACE , u/b to body hge. plr. gusset
69-75	Corvette (Conv.)	3962657	1	.20	BRACKET , u/b to body hge. plr. gusset brace
69-75	Corvette (Conv.)	3962658	1	.26	BRACKET , strg. column support to u/b brace
68-75	Corvette (Conv.)	3942735	1	1.28	BRACKET ASSY. , body hge. plr. to brace
68-72	Corvette (Spt. Cpe.)				
73-76	Corvette	3942730	R.H.	2.56	GUSSET ASSY. , right, pillar to w/s frm. lower
68-72	Corvette (Spt. Cpe.)				
73-76	Corvette	3942729	L.H.	.85	GUSSET ASSY. , left, pillar to w/s frm. lower
63-74	Corvette	3824485	2	.15	EXTENSION , pillar support rear (Note 1)
	<i>NOTE 1 When using in place or 3908189-3919637-38-39, 3926484 cut and add holes as required.</i>				
68-75	Corvette (Conv.) w/C.A.C.	3947941	1	1.07	PLATE ASSY. , u/b to body hinge pillar gusset brace
68-76	Corvette	6258237	2	.15	PLATE & WIRE ASSY. , dr. ajar warn lp. sw. mt.
68-69	Corvette	3912682	R.H.	3.46	REINFORCEMENT , right, inst. pnl. body hinge pillar
68-69	Corvette	3912681	L.H.	3.27	REINFORCEMENT , left, inst. pnl. body hinge pillar
70	Corvette	3974011	A.R.	.22	REINFORCEMENT , inst. panel body hinge—(10.230)
65-66	Corvette	3834926	1	.10	SCREW , hinge pillar to windshield frame red—(2.729)
	<i>NOTE 2 On 63 mdls. rework as necessary.</i>				
68-71	Corvette	3996839	L.H.	2.44	STRIP , left, windshield lwr. otr. frame to frt. fender bonding
68-72	Corvette	3996840	R.H.	2.44	STRIP , windshield lwr. otr. frame to frt. fender upper bonding
73-76	Corvette	327689	L.H.	2.41	STRIP , w/s lwr. otr. frm. to frt. fdr. upr. bond
73-76	Corvette	327690	R.H.	2.41	STRIP , w/s lwr. otr. frm. to frt. fdr. upr. bond
68-76	Corvette	3914542	R.H.	3.09	SUPPORT , right, body hinge pillar front
68-76	Corvette	3914541	L.H.	3.09	SUPPORT , left, body hinge pillar front
73	Corvette	6263591	L.H.	7.75	SUPPORT , body lock pillar brace
73	Corvette	6263592	R.H.		SUPPORT , body lock pillar brace
74	Corvette	3824485	2	.15	SUPPORT , body hge. pillar rear
	Not required in this group. See Group 12.810-10.093				
		3922439	A.R.	.10	WASHER

12.934 PANEL—EXTENSION—EXTENSION ASSY.—PLUG—PLATE—SILL, Corvette Rocker (plastic-laminate)

68-76	Corvette	3919724	R.H.	1.84	right, door sill filler
68-76	Corvette	3919723	L.H.	1.84	left, door sill filler
68-75	Corvette	3918676	R.H.	3.44	EXTENSION , right, door sill
68-75	Corvette	3918675	L.H.	3.44	EXTENSION , left, door sill
72-74	Corvette	3996875	L.H.	2.71	EXTENSION ASSY. , left door sill reinforcement
72-74	Corvette	3996876	R.H.	2.71	EXTENSION ASSY. , right door sill reinforcement
75	Corvette	345431	L.H.	2.82	EXTENSION ASSY. , door sill reinf.
75	Corvette	345432	R.H.	2.82	EXTENSION ASSY. , door sill reinf.
64-67	Corvette (Spt. Cpe.)				PLUG , No. 2 body mtg. hole in dr. sill reinf., door sill gage pin holes
68-73	Corvette	3825676	A.R.	.10	
68-71	Corvette (Conv.)				
72-75	Corvette (Conv.) w/C.A.C.	3942746	1	.20	PLATE , underbody to dash pnl. br.
63-67	Corvette	3899336	R.H.	33.50	SILL , right, door (includes rocker panel section)
63-67	Corvette	3899335	L.H.	33.50	SILL , left, door (includes rocker pnl. section)
68-71	Corvette	3966701	L.H.	33.50	SILL , left
68-71	Corvette	3966702	R.H.	33.50	SILL , right
72-74	Corvette	3996857	L.H.	26.75	SILL , left
72-74	Corvette	3996858	R.H.	26.75	SILL , right
75	Corvette	345423	L.H.	26.75	SILL
75	Corvette	345424	R.H.	26.75	SILL
76	Corvette	362964	R.H.		SILL

METAL TRIM—CLIPS AND PANELS

**12.934 PANEL— EXTENSION— EXTENSION ASSY.— PLUG— PLATE— SILL,
Corvette Rocker (plastic-laminate) (Con't)**

76 Corvette 362963 L.H. SILL

12.940 PANEL— FLANGE, Rear Quarter Side Outer (Outer panel only)

70-72 Corvette 3977871 L.H. rr. qtr.
 70-73 Corvette 334750 R.H. 53.50 rr. qtr.
 73 Corvette 334749 L.H. 53.50 rr. qtr.
 56-60 Corvette 3751461 L.H. 78.10 left, laminated plastic

61-62 Corvette 3773952 R.H. 26.80 right

61-62 Corvette 3773951 L.H. 26.80 left

63-67 Corvette 3797020 R.H. 53.15 right

63-67 Corvette 3797019 L.H. 53.15 left

68-69 Corvette 3936380 R.H. 46.25 right

68-69 Corvette 3936379 L.H. 46.25 left

69 Corvette w/side exhaust 3948135 L.H. 38.50 left, outer

69 Corvette w/side exhaust 3948136 R.H. 38.50 right, outer

74-76 Corvette 336169 L.H. 34.40 left, rear

74-76 Corvette 336170 R.H. 34.40 right, rear

69 Corvette w/side exhaust 3948137 L.H. 3.50 FLANGE, left panel

69 Corvette w/side exhaust 3948138 R.H. 3.50 FLANGE, right panel

12.941 BAFFLE— PLENUM— RETAINER— SCREEN ASSY., Rear Quarter Side Inner

68-70 Corvette (Conv.) 3947981 1 6.25 rear body vent. plenum

71-75 Corvette (Conv.) 3994808 1 6.00 rr. vent. plenum

68-76 Corvette (Spt. Cpe.) (exc. C.A.C.) 3956054 R.H. 6.25 PLENUM, right, body rear vent

68-76 Corvette (Spt. Cpe.) (exc. C.A.C.) 3956053 L.H. 6.25 PLENUM, left, body rear vent

68-70 Corvette (Conv.) 3940587 L.H. 2.15 PLENUM, left, rr. body vent

68-70 Corvette (Conv.) 3940588 R.H. 2.00 PLENUM, right, rr. body vent

68-70 Corvette (Conv.) 3958889 1 11.05 PLENUM, rear vent center

68-76 Corvette (Spt. Cpe.) 339160 1 13.80 PLENUM, body rr. vent. center

71-75 Corvette (Conv.) (exc. C.A.C.) 3994807 1 13.00 PLENUM, rr. body vent.

71-75 Corvette (exc. C.A.C.) 3977897 1 6.00 RETAINER, body rr. vent. plenum

73-76 Corvette 327691 L.H. 3.35 SCREEN ASSY., plenum side panel

73-76 Corvette 327692 R.H. 3.35 SCREEN ASSY., plenum side panel

12.942 PANEL— PILLAR— PILLAR ASSY.— PLATE— REINFORCEMENT— STRIP— SUPPORT, Rear Body Lock Pillar

63-67 Corvette 3797379 L.H. 9.15 left, to underbody filler

63-67 Corvette 3797380 R.H. 9.15 right, to underbody filler

68-76 Corvette 3912892 R.H. 8.05 right, to underbody filler

68-76 Corvette 3912891 L.H. 8.05 left, to underbody filler

68-69 Corvette (Conv.) 3964168 R.H. PILLAR, right body lock

68-75 Corvette (Spt. Cpe.) 3996833 L.H. 18.40 PILLAR, left body lock

68-75 Corvette (Spt. Cpe.) 3996834 R.H. 18.40 PILLAR, right body lock

68-75 Corvette (Conv.) 3996835 L.H. 19.90 PILLAR, left body lock

70-75 Corvette (Conv.) 3996836 R.H. 19.90 PILLAR, body lock

76 Corvette 347904 R.H. 19.15 PILLAR, body lock

76 Corvette 347903 L.H. 19.15 PILLAR, body lock

63-67 Corvette 3846387 L.H. 18.85 PILLAR ASSY., left (Note 1)

63-67 Corvette 3846388 R.H. 18.85 PILLAR ASSY., right (Note 1)

NOTE 1 On Spt. Cpe. it will be necessary to rework top section as required.

63-67 Corvette (Conv.) 3850683 L.H. 37.95 PILLAR ASSY., left, side door lock (Note 2)

NOTE 2 It will be necessary to relocate body mounting hole of support assembly and cut approx. 3 inches off inside corner of gusset, when using on 1964 models.

On 1963 and 1965 models rework body lock pillar in the body lock pillar reinforcement areas as required.

NOTE 3 On 1963 models, rework body mounting hole of support assembly.

68-74 Corvette (Conv.) 3974360 R.H. 25.30 PILLAR ASSY., right, side door lock

68-74 Corvette (Conv.) 3974359 L.H. 25.30 PILLAR ASSY., left, side door lock

68-74 Corvette (Spt. Cpe.) 6260957 L.H. 28.00 PILLAR ASSY., left side door lock

68-74 Corvette (Spt. Cpe.) 6260958 R.H. 28.00 PILLAR ASSY., right side door lock

69-74 Corvette (Conv.) 3966892 2 .26 PLATE, body lock inner reinforcement

69-70 Corvette (Conv.) 3954521 L.H. .43 REINFORCEMENT, left, inner

69-70 Corvette (Conv.) 3954522 R.H. .43 REINFORCEMENT, right inner

69-72 Corvette 3974086 R.H. 2.16 STRIP, right water dvtr.

69-72 Corvette 3974085 L.H. 2.16 STRIP, left water dvtr.

68-71 Corvette 3933083 L.H. 7.75 SUPPORT, left, body lock pillar brace

72-75 Corvette 6263591 L.H. 7.75 SUPPORT, left, body lock pillar brace

68-75 Corvette 6263592 R.H. 7.75 SUPPORT, right, body lock pillar brace

68-76 Corvette 334795 L.H. .58 SUPPORT, body lock pillar reinforcement ..

68-76 Corvette 334796 R.H. .58 SUPPORT, body lock pillar reinforcement ..

NOTE: When using steel part in place of aluminum, it may be necessary to drill required holes. Part must be painted after drilling to prevent possible metal reaction.

METAL TRIM—CLIPS AND PANELS

12.944 SHIELD, Wheelhouse

63-67	Corvette	3971165 L.H.	9.05	SHIELD, left, rear qtr. splash (laminated plastic) (Note 1)
63-67	Corvette	3971166 R.H.	9.05	SHIELD, right, rear qtr. splash (laminated plastic) (Note 1)
<i>NOTE 1 When using these parts in place of the production parts add two 29/64" holes for attaching remote control antenna.</i>				
68-69	Corvette	3928822 R.H.	5.05	SHIELD, right, rear quarter splash
68-69	Corvette	3928821 L.H.	5.00	SHIELD, left, rear qtr. splash (laminated plastic)
70-73	Corvette	3976445 L.H.	6.15	SHIELD, left, rear quarter splash
70-73	Corvette	3976446 R.H.	6.15	SHIELD, right, rear quarter splash
74-76	Corvette	336173 L.H.	6.05	SHIELD, left, rear quarter splash
74-76	Corvette	336174 R.H.	6.05	SHIELD, right, rear quarter splash

12.945 COVER— BALL— BEZEL— BUMPER— BUSHING— CATCH— DECAL— DOOR— EMBLEM UNIT— HINGE— HOUSING ASSY.— NUT— PIN— SCREW— SPRING, Gas Tank Filler Neck Compartment

63-67	Corvette (Spt. Cpe.) w/36 gal. tank	3907828	1	204.00	gas tank compt.
68-70	Corvette	3915632	2	.19	BALL, fuel tank filler door bezel
64-67	Corvette (Conv.)	3839710	1	2.75	BEZEL, opening (concealed hinge type)
68-70	Corvette	3954576	1	8.95	BEZEL ASSY., fuel tank filler door
71-76	Corvette	3977829	1	8.95	BEZEL ASSY., fuel tank filler door
69-76	Corvette	3954561	1	.13	BUMPER, door
71-76	Corvette	3977834	2	.13	BUSHING, filler dr. hinge pin
63-67	Corvette	3839712	1	.54	CATCH, door (concealed hinge type)
75-76	Corvette	355375	1	2.20	DECAL, fuel filler door (black)
75-76	Corvette	355377	1	2.20	DECAL, fuel filler door (White)
63-67	Corvette	3874528	1	24.25	DOOR
68	Corvette	3926497	1		DOOR
69-70	Corvette	3954544	1	7.45	DOOR
71-74	Corvette	339116	1	7.45	DOOR
75-76	Corvette	347913	1	7.45	DOOR
68-73	Corvette	3957809	1	4.70	EMBLEM UNIT, door
75	Corvette	358737	1	16.15	EMBLEM UNIT, door
71-76	Corvette	3977832	1	.60	HINGE, fuel tank fil. dr.
63-67	Corvette (Spt. Cpe.)	3829703	1	23.95	HOUSING ASSY.
69-73	Corvette	446618	2	.13	NUT, filler door emblem
71-76	Corvette	3977835	1	.14	PIN, tank fil. dr.
61	Corvette	3789871	1	.10	SCREW, door to housing— (2.688)
61	Corvette	3782562	1	.33	SPRING, door hinge (1 ⁵ / ₁₆ " long-20 coils)— (8.085)
65-75	Corvette (Conv.)	3795387	1	.54	SPRING, door hinge and hood lock release
63-67	Corvette	2336771	1	.61	SPRING, door catch— (4.864)
68-70	Corvette	3915633	2	.19	SPRING, door bezel
71-76	Corvette	3977836	1	.39	SPRING, fil. dr. hinge

12.952 BOW ASSY., Roof

68-74	Corvette (Spt. Cpe.)	6258454	1	8.75	BOW ASSY.
-------	----------------------	---------	---	------	-----------

12.964 PANEL ASSY.— FRAME, Back Window Inner

68-76	Corvette (Spt. Cpe.)	339159	1	42.50	b/w trim (paint as required)
-------	----------------------	--------	---	-------	------------------------------

12.966 PANEL— EXTENSION, Body Back Lower (Rear End)

63-67	Corvette (Conv.)	3887499 R.H.	61.75	right, upper	
63-67	Corvette (Conv.)	3830277 L.H.	61.75	left, upper	
66-67	Corvette (Conv.)	3874726	1	66.60	upper
68-73	Corvette (Conv.)	3977863	1	128.25	rr. upper
68-71	Corvette	3936329 L.H.	66.85	left, upper repair	
68-71	Corvette	3936330 R.H.	66.85	right, upper repair	
74-75	Corvette (Conv.)	336167	1	100.50	rear upper
63-67	Corvette (Conv.)	3832813 L.H.	17.20	EXTENSION, left, upper	
68-72	Corvette	3936331 L.H.	6.25	EXTENSION, left, upper repair	

12.980 BRACKET— BUMPER— INSULATOR— INSULATION ASSY.— INSULATION— PLATE— PLUG— RETAINER— SHIELD— SHIELD ASSY.— SUPPORT— TRAY, Floor (less rear compartment floor pan)

64-67	Corvette	3846937 L.H.	.87	underbody splash shield, L.H.— (1.287)	
68-72	Corvette	3976514 A.R.	.15	underbody splash shield— (1.287)	
69-72	Corvette	3840474	2	1.21	BRACKET, underbody splash shield— (8.857)
69-70	Corvette (Spt. Cpe.)	3972536	2	.15	BUMPER, back window storage tray
71-72	Corvette (Spt. Cpe.)	3827411	2	.10	BUMPER, back window storage tray— (10.242)

69-70 Corvette w/C.A.C.,

METAL TRIM—CLIPS AND PANELS

**12.980 BRACKET— BUMPER— INSULATOR— INSULATION ASSY.—
INSULATION— PLATE— PLUG— RETAINER— SHIELD— SHIELD ASSY.—
SUPPORT— TRAY, Floor (less rear compartment floor pan) (Con't)**

63-76	Corvette	3912670	1	8.15	INSULATOR, underbody tunnel heat
68-76	Corvette	3912669	1	.31	INSULATOR, underbody tunnel front, rear, center
68-69	Corvette	3943663	L.H.	8.25	INSULATOR, toepan and underbody tun. heat
68-69	Corvette	3943664	R.H.	8.25	INSULATOR, toepan and underbody tun. heat
68	Corvette	3943665	L.H.	6.25	INSULATOR, underbody stor. and bat. compt.
68	Corvette	3943666	R.H.	6.25	INSULATOR, underbody stor. and bat. compt.
74	Corvette	342223	2	8.25	INSULATOR, underbody resonator heat
69	Corvette w/Side Mtd. Exh.	3958881	2	2.56	INSULATOR ASSY., body sill heat
64-72	Corvette	3852972	A.R.	34.15	INSUALTION, floor carpet (4 ft. x 10 ft. roll)
68-72	Corvette	3954527	2	.64	PLATE, frt. roof panel and back window stor. tray brkt. tap
68-76	Corvette	3935659	1	.15	PLATE, body lock plr. supt. to u/b/tap
63-74	Corvette	4805844	4	.20	PLUG, drain holes in underbody panel
63-76	Corvette	3834985	4	.10	RETAINER, underbody tunnel heat insulator
72	Corvette	3937912	1	.10	RETAINER, cyl. and case— (10.267)
64-68	Corvette	3846935	1	1.08	SHIELD, underbody splash, L.H.— (1.287)
64-68	Corvette	3922440	1	1.92	SHIELD, underbody splash, R.H.— (1.287)
68-70	Corvette	3958019	A.R.	2.35	SHIELD, underbody insulation— (1.287) (Note 1)

NOTE 1 On 1969 model, when using 3958019 in place of 3958074 cut as required.

68	Corvette,				
69	Corvette (exc. C.A.C.)	3963112	R.H.	1.65	SHIELD, right, underbody splash— (1.287) (Note 2)

NOTE 2 When using 3963112 in place of 3947978 cut as required for exhaust pipe clearance.

69	Corvette	3947977	L.H.		SHIELD, left, underbody splash— (1.287)
69-76	Corvette	336110	1	4.96	SHIELD, underbody tunnel heat
69-72	Corvette	3958886	1		SHIELD, underbody to frame
70-71	Corvette	3976545	L.H.		SHIELD, underbody splash L.H.— (1.287)
70-71	Corvette (exc. C.A.C.)	3976546	R.H.		SHIELD, underbody splash R.H.— (1.287)
72	Corvette	6263551	L.H.	1.71	SHIELD, left underbody splash— (1.287)
72	Corvette	6263552	R.H.	1.71	SHIELD, right underbody splash— (1.287)
73-76	Corvette	336111	2	.70	SHIELD ASSY., u/b to frm.
69-72	Corvette w/C.A.C.	3976544	R.H.		SHIELD ASSY., underbody splash R.H.— (1.287)
73	Corvette	3994806	R.H.	7.15	SUPPORT, body rear upper panel
68-70	Corvette (Spt. Cpe.)	3972537	1	10.50	TRAY, back window stor.
71-73	Corvette (Spt. Cpe.)	3997243	1	11.65	TRAY, back window storage

**12.981 PANEL— BEZEL ASSY.— BONDING STRIP— BRACE ASSY.— BRACKET—
BRACKET ASSY.— BUMPER— BUSHING— CLIP— COMPARTMENT—
COMPARTMENT ASSY.— CONSOLE ASSY.— COVER— COVER ASSY.—
DOOR— DOOR ASSY.— ESCUTCHEON— HANDLE— HANDLE ASSY.—
HINGE ASSY.— NUT— PLATE— PLUG— REINFORCEMENT—
REINFORCEMENT ASSY.— RING— RIVET— SEAL— SHIELD— STRAP
ASSY.— STRIKER— STRIP— SUPPORT, Rear Compartment Floor**

63-67	Corvette (Spt. Cpe.)	3797228	1	10.50	closing
63-64	Corvette	3797190	1	33.80	body rear lower filler
64-65	Corvette	3877059	1	54.00	body rr. lower filler
66-67	Corvette (exc. Dual Mounted Side Exhaust)	3874799	1	28.50	lower fill
65-67	Corvette w/side mounted exhaust	3863752	1	38.75	body rr. lwr. filler
68-76	Corvette	3918571	1	5.20	underbody storage compt. filler
68-70	Corvette (Spt. Cpe.)	3914552	1	9.70	underbody closing
68-70	Corvette (Conv.)	3914553	1	9.70	underbody closing
68-75	Corvette w/3-Spd., A.T.	3935699	1	6.95	underbody tun. trans. filler
68-69	Corvette (exc. side mtd. exhaust)	3947974	1	43.95	body rear lower filler (Note 1)

NOTE 1 When using 3947974 in place of 3936378 add two openings for back-up lamps, using old part and lamp assy. as guide.

69	Corvette w/side mtd. exhaust	3948133	1	32.25	body rear lower filler
70-73	Corvette	3977870	1	35.50	body rear lower filler
71-73	Corvette (Conv.)	3994801	L.H.	5.45	underbody closing
71-72	Corvette (Conv.)	3994802	R.H.	5.45	underbody closing
71-75	Corvette (Conv.)	3994803	1	27.25	underbody closing center
71-73	Corvette (Spt. Cpe.)	3994809	L.H.	10.05	underbody closing
71-73	Corvette (Spt. Cpe.)	3994810	R.H.	10.05	underbody closing
71-73	Corvette (Spt. Cpe.)	3994811	1	18.15	underbody closing center upr.
71-72	Corvette (Spt. Cpe.)	3994812	1		underbody closing center lower

METAL TRIM—CLIPS AND PANELS

12.981	PANEL— BEZEL ASSY.— BONDING STRIP— BRACE ASSY.— BRACKET— BRACKET ASSY.— BUMPER— BUSHING— CLIP— COMPARTMENT— COMPARTMENT ASSY.— CONSOLE ASSY.— COVER— COVER ASSY.— DOOR— DOOR ASSY.— ESCUTCHEON— HANDLE— HANDLE ASSY.— HINGE ASSY.— NUT— PLATE— PLUG— REINFORCEMENT— REINFORCEMENT ASSY.— RING— RIVET— SEAL— SHIELD— STRAP ASSY.— STRIKER— STRIP— SUPPORT, Rear Compartment Floor (Con't)	
72-73 Corvette	3996825 1 278.00	underbody
73-75 Corvette (Spt. Cpe.)	327668 1 29.00	u/b closing lwr.
74-75 Corvette	339101 1 278.00	underbody
74-75 Corvette (Spt. Cpe.)	336179 L.H.	underbody closing
74-75 Corvette (Spt. Cpe.)	336180 R.H.	underbody closing
74-75 Corvette (Conv.)	336191 L.H.	underbody closing
74-75 Corvette (Conv.)	336192 R.H.	underbody closing
74-75 Corvette (Spt. Cpe.)	336186 1 18.15	underbody closing ctr upper
68-74 Corvette	6258826 1 1.80	BEZEL ASSY., u/b tun. rear
63-67 Corvette (Spt. Cpe.)		BONDING STRIP, left rr. qtr. to roof and body rr. lwr. panel, rr. qtr. to body rr. upper and lwr. panel
63-66 Corvette (exc. Spt. Cpe.)	3797091 1 13.50	BONDING STRIP, right rr. qtr. to roof and body rr. lwr. panel
63-67 Corvette	3797092 1 13.50	BONDING STRIP, rr. qtr. to body rr. lwr. panel
63 Corvette	3797154 R.H.	BONDING STRIP, rr. qtr. to body rr. lwr. panel
63 Corvette	3797153 L.H.	BONDING STRIP, rr. qtr. to body rr. lwr. panel
65-67 Corvette	3841538 R.H.	BONDING STRIP, rr. qtr. to body rr. lwr. panel
65-67 Corvette	3841537 L.H.	BONDING STRIP, rr. qtr. to body rr. lwr. panel
68-72 Corvette	3996837 L.H.	BONDING STRIP, rr. qtr. to roof and body rr lower panel
68-72 Corvette	3996838 R.H.	BONDING STRIP, rr. qtr. to roof and body rr. lower panel
68-73 Corvette	3922304 2 .49	BRACE ASSY., body rear lower filler pnl.
64-67 Corvette	3846937 L.H.	BRACKET, underbody splash shield
68-72 Corvette (Spt. Cpe.)	3926303 L.H.	BRACKET, back window stor. tray to tray
68-72 Corvette (Spt. Cpe.)	3926304 R.H.	BRACKET, front roof panel and back window storage tray hinge, and back window tray to tray
69-72 Corvette (Spt. Cpe.)	3976399 2 .67	BRACKET ASSY., b/w stor. tray to underbody
68-71 Corvette	3919775 6 .12	BUMPER, underbody storage compt. tray
68-76 Corvette	3918670 4 .12	BUMPER, underbody storage compt. cover door
72 Corvette (Spt. Cpe.)	3922010 2 .10	BUSHING, b/w stor. tray bracket— (10.130)
68-70 Corvette (Spt. Cpe.)	3926403 2 .25	CLIP, back window stor. tray
68-72 Corvette (Spt. Cpe.)	3926346 1 .49	CLIP, back window stor. tray rear
68 Corvette (Spt. Cpe.)	3941995 1 1.15	CLIP, frt. roof panel and b/wind. stor. tray
69-71 Corvette (Spt. Cpe.)	3956001 1 1.15	CLIP, frt. roof panel and b/wind. stor. tray
68-76 Corvette	333498 1 6.05	COMPARTMENT, u/b storage
68-76 Corvette	3926236 1 1.70	COMPARTMENT ASSY., underbody storage center
68-76 Corvette	333588 1 17.10	CONSOLE ASSY., underbody tunnel rear
68-69 Corvette	3922211 1 75.80	CONSOLE ASSY., underbody tunnel front (comb. 407, 408) (red)
68-69 Corvette	3935616 1 75.80	CONSOLE ASSY., underbody tunnel front (comb. 420, 421) (saddle)
68-69 Corvette	3922214 1 75.80	CONSOLE ASSY., underbody tunnel front (comb. 416, 417, 442) (gunmetal)
68-69 Corvette	3922216 1	CONSOLE ASSY., underbody tunnel front (comb. 411, 412) (dk. brt. blue)
69 Corvette	3947990 1 81.85	CONSOLE ASSY., underbody tunnel front (comb. 435, 436) (tobacco)
68-70 Corvette	3963151 1 94.75	CONSOLE ASSY., u/body tunnel front (black)
70 Corvette	3966736 1 94.75	CONSOLE ASSY., u/body tunnel (front) (med. saddle)
70 Corvette	3966729 1 94.75	CONSOLE ASSY., u/body tunnel (front) (dk. brown)
70 Corvette	3966739 1 94.75	CONSOLE ASSY., u/body tunnel (front) (bright blue)
70 Corvette	3966728 1 94.75	CONSOLE ASSY., u/body tunnel (front) (red) (407)
70 Corvette	3966749 1 94.75	CONSOLE ASSY., u/body tunnel (front) (dr. green)

METAL TRIM—CLIPS AND PANELS

12.981 PANEL— BEZEL ASSY.— BONDING STRIP— BRACE ASSY.— BRACKET— BRACKET ASSY.— BUMPER— BUSHING— CLIP— COMPARTMENT— COMPARTMENT ASSY.— CONSOLE ASSY.— COVER— COVER ASSY.— DOOR— DOOR ASSY.— ESCUTCHEON— HANDLE— HANDLE ASSY.— HINGE ASSY.— NUT— PLATE— PLUG— REINFORCEMENT— REINFORCEMENT ASSY.— RING— RIVET— SEAL— SHIELD— STRAP ASSY.— STRIKER— STRIP— SUPPORT, Rear Compartment Floor (Con't)

71-72	Corvette	6263512	1	93.95	CONSOLE ASSY., underbody tunnel front (dk. saddle) (417, 420)
71-76	Corvette	333380	1	75.80	CONSOLE ASSY., underbody tunnel front (black) (Note 4)
71	Corvette	3995074	1	93.95	CONSOLE ASSY., underbody tunnel front (black)
71-72	Corvette	6263510	1		CONSOLE ASSY., underbody tunnel front (red) (407)
68-75	Corvette	333578	1	5.45	COVER, underbody storage compt.
67	Corvette	3894541	1	12.30	COVER ASSY., underbody tunnel (black) (paint as reqd.)
67	Corvette	3899234	1		COVER ASSY., underbody tunnel (comb. 407, 408) (red)
67	Corvette	3899273	1		COVER ASSY., underbody tunnel (comb. 414, 415) (brt. blue)
67	Corvette	3899275	1		COVER ASSY., underbody tunnel (comb. 418, 419) (teal blue)
68-75	Corvette	336142	R.H.	9.55	DOOR, underbody storage (comb. 400) (paint as reqd.)
73-74	Corvette (2nd design) (Thermo)	336143	1		DOOR ASSY., underbody storage center compt. (comb. 400) (black)
73-74	Corvette (2nd design) (Thermo)	336144	1		DOOR ASSY., underbody storage center compt. (comb. 425) (oxblood)
73-75	Corvette (2nd design) (Thermo)	336145	1	5.75	DOOR ASSY., underbody storage center compt. (comb. 404) (black)
73-74	Corvette (2nd design) (Thermo)	336146	1		DOOR ASSY., underbody storage center compt. (comb. 413) (mid. blue)
73-74	Corvette (2nd design) (Thermo)	336147	1		DOOR ASSY., underbody storage center compt. (comb. 415) (med. saddle)
73-75	Corvette (2nd design) (Thermo)	336148	1	5.75	DOOR ASSY., underbody storage center compt. (comb. 416) (med. saddle)
73	Corvette (2nd design)	336149	1	5.75	DOOR ASSY., underbody storage center compt. (comb. 418) (dk. saddle)
73-75	Corvette (2nd design)	336151	1	5.75	DOOR ASSY., underbody storage center compt. (comb. 422) (dk. saddle)
68-76	Corvette (2nd design) (Thermo)	347801	L.H.	9.90	DOOR ASSY., underbody storage compt. (comb. 400) (black)
73-75	Corvette (2nd design) (Thermo)	347802	R.H.	9.90	DOOR ASSY., underbody storage compt. (comb. 400) (black)
73-74	Corvette (2nd design) (Thermo)	336129	L.H.		DOOR ASSY., underbody storage compt. (comb. 415) (med. saddle)
73-74	Corvette (2nd design) (Thermo)	336130	R.H.		DOOR ASSY., underbody storage compt. (comb. 415) (med. saddle)
73-75	Corvette (2nd design) (Thermo)	336131	L.H.	9.55	DOOR ASSY., underbody storage compt. (comb. 416) (med. saddle)
73-75	Corvette (2nd design) (Thermo)	336132	R.H.	9.55	DOOR ASSY., underbody storage compt. (comb. 416) (med. saddle)
73-74	Corvette (2nd design) (Thermo)	336133	L.H.		DOOR ASSY., underbody storage compt. (comb. 413) (mid. blue)
73-74	Corvette (2nd design)	336134	R.H.		DOOR ASSY., underbody storage compt. (comb. 413) (mid. blue)
73	Corvette (2nd design)	336135	L.H.	9.55	DOOR ASSY., underbody storage compt. (comb. 418) (dk. saddle)
73	Corvette (2nd design)	336136	R.H.	9.55	DOOR ASSY., underbody storage compt. (comb. 418) (dk. saddle)
73-75	Corvette (2nd design)	336137	L.H.	9.55	DOOR ASSY., underbody storage compt. (comb. 422) (dk. saddle)
73-75	Corvette (2nd design)	336138	R.H.	9.55	DOOR ASSY., underbody storage compt. (comb. 422) (dk. saddle)
73-74	Corvette (2nd design) (Thermo)	336139	L.H.		DOOR ASSY., underbody storage compt. (comb. 425) (oxblood)
73-74	Corvette (2nd design) (Thermo)	336140	R.H.		DOOR ASSY., underbody storage compt. (comb. 425) (oxblood)
73-75	Corvette (2nd design) (Thermo)	336141	L.H.	9.55	DOOR ASSY., underbody storage compt. (comb. 404) (black)
74-75	Corvette	347880	1	9.55	DOOR ASSY., underbody stor. ctr. compt. (406) (silver)
74-76	Corvette	341888	1	5.75	DOOR ASSY., underbody stor. ctr. compt. (407) (silver)

METAL TRIM—CLIPS AND PANELS

12.981	PANEL— BEZEL ASSY.— BONDING STRIP— BRACE ASSY.— BRACKET— BRACKET ASSY.— BUMPER— BUSHING— CLIP— COMPARTMENT— COMPARTMENT ASSY.— CONSOLE ASSY.— COVER— COVER ASSY.— DOOR— DOOR ASSY.— ESCUTCHEON— HANDLE— HANDLE ASSY.— HINGE ASSY.— NUT— PLATE— PLUG— REINFORCEMENT— REINFORCEMENT ASSY.— RING— RIVET— SEAL— SHIELD— STRAP ASSY.— STRIKER— STRIP— SUPPORT, Rear Compartment Floor (Con't)			
74-75	Corvette	347815 L.H.	9.55 DOOR ASSY., underbody stor. compt. (406) (silver)
74-75	Corvette	347816 R.H.	9.55 DOOR ASSY., underbody stor. compt. (406) (silver)
74-75	Corvette	341695 L.H.	9.55 DOOR ASSY., underbody stor. compt. (407) (silver)
74-75	Corvette	341696 R.H.	9.55 DOOR ASSY., underbody stor. compt. (407) (silver)
74-75	Corvette	347819 L.H.	9.55 DOOR ASSY., underbody stor. compt. (408) (neutral)
74-75	Corvette	347820 R.H.	9.55 DOOR ASSY., underbody stor. compt. (408) (neutral)
75	Corvette	347823 L.H.	9.90 DOOR ASSY., underbody storage compt. (comb. 415) (med. saddle)
75	Corvette	347824 R.H.	6.60 DOOR ASSY., underbody storage compt. (comb. 415) (med. saddle)
75	Corvette	347879 1	6.00 DOOR ASSY., underbody storage compt. center (comb. 415) (med. saddle)
75	Corvette	347827 1	6.00 DOOR ASSY., underbody storage compt. ctr. (comb. 400) (black)
75	Corvette	347805 L.H.	9.90 DOOR ASSY., underbody storage compt. (comb. 413) (mid. blue)
75	Corvette	347806 R.H.	9.90 DOOR ASSY., underbody storage compt. (comb. 413) (mid. blue)
75	Corvette	347831 1	6.00 DOOR ASSY., underbody storage compt. ctr. (comb. 413) (mid. blue)
75	Corvette	347809 L.H.	9.90 DOOR ASSY., underbody storage compt. (comb. 425) (dk. oxblood)
75	Corvette	347810 R.H.	9.90 DOOR ASSY., underbody storage compt. (comb. 425) (dk. oxblood)
75	Corvette	347828 1	6.00 DOOR ASSY., underbody storage compt. ctr. (comb. 425) (dk. oxblood)
75	Corvette	347832 1	6.00 DOOR ASSY., underbody storage compt. ctr. (comb. 408) (mid. neutral)
70-76	Corvette	3930305 4	.20 ESCUTCHEON, underbody stor. compt. dr. lock
69-71	Corvette (Spt. Cpe.)	3956004 1	2.60 HANDLE, back window storage tray
69-72	Corvette	3962623 3	.99 HANDLE ASSY., underbody storage compt. door pull (black)
69-72	Corvette	3962624 A.R.	.99 HANDLE ASSY., underbody storage compt. door pull (comb. 407, 408) (red)
69	Corvette	3962625 3	.99 HANDLE ASSY., underbody storage compt. door pull (comb. 411, 412) (br. blue)
69	Corvette	3962626 3	.97 HANDLE ASSY., underbody storage compt. door pull (comb. 416, 417) (gunmetal)
69	Corvette	3962627 3	.99 HANDLE ASSY., underbody storage compt. door pull (comb. 420, 421) (saddle)
69	Corvette	3962628 3	HANDLE ASSY., underbody storage compt. door pull (427, 428) (green)
70	Corvette	3964194 3	.99 HANDLE ASSY., u/body stor. compt. pull (dk. brown)
70	Corvette	3966502 3	.99 HANDLE ASSY., u/body stor. compt. pull (dk. green)
71-72	Corvette	3994867 3	HANDLE ASSY., underbody storage compt. door pull (dark saddle) (417, 420)
71	Corvette	3994945 3	.99 HANDLE ASSY., underbody storage compt. door pull (dk. green) (423)
71-72	Corvette	3994831 3	.99 HANDLE ASSY., underbody storage compt. door pull (dk. bright blue) (412)
73-76	Corvette	333364 3	.99 HANDLE ASSY., u/b storage compt. dr. pull (comb. 400, 404, 191) (black)
73-75	Corvette	333377 3	.99 HANDLE ASSY., u/b storage compt. dr. pull (comb. 425) (oxblood)
73-75	Corvette	333378 3	.99 HANDLE ASSY., u/b storage compt. dr. pull (comb. 413) (midnight blue)
73	Corvette	333379 3	.99 HANDLE ASSY., u/b storage compt. dr. pull (comb. 418, 422) (dk. saddle)
73-75	Corvette	333572 1	.99 HANDLE ASSY., u/b storage compt. dr. pull (comb. 415, 416) (med. saddle)

METAL TRIM—CLIPS AND PANELS

12.981		PANEL— BEZEL ASSY.— BONDING STRIP— BRACE ASSY.— BRACKET— BRACKET ASSY.— BUMPER— BUSHING— CLIP— COMPARTMENT— COMPARTMENT ASSY.— CONSOLE ASSY.— COVER— COVER ASSY.— DOOR— DOOR ASSY.— ESCUTCHEON— HANDLE— HANDLE ASSY.— HINGE ASSY.— NUT— PLATE— PLUG— REINFORCEMENT— REINFORCEMENT ASSY.— RING— RIVET— SEAL— SHIELD— STRAP ASSY.— STRIKER— STRIP— SUPPORT, Rear Compartment Floor (Con't)			
74-75	Corvette	341682	3	.99	HANDLE ASSY., underbody stor. compt. dr. pull (408) (neutral)
74-76	Corvette	341850	3	.99	HANDLE ASSY., underbody stor. compt. dr. pull (406/407, 141) (silver)
68-76	Corvette	3962615	1	1.15	HINGE ASSY., underbody storage compt. center door
68-76	Corvette	3962614	2	1.15	HINGE ASSY., underbody storage compt. door
63-72	Corvette	3828546	1	.30	NUT, seat mounting underbody rear anchor— (11.373)
68-73	Corvette	3926327	A.R.	.12	NUT, underbody stor. compt.
68-76	Corvette	3919678	1	.49	PLATE, underbody storage compt. tap
68-72	Corvette (Spt. Cpe.)	3956003	1	.86	PLATE, frt. roof panel and b/window stor. tray
68-76	Corvette	3947935	3	.12	PLATE, underbody stor. compt. door lock striker tap
68-76	Corvette	3948148	1	.55	PLUG, underbody storage compt. drain
64-70	Corvette (exc. 36-gal. tank)	3850114	1	.75	REINFORCEMENT, underbody pnl. (Note 2)
<i>NOTE 2 It may be necessary to cut and add holes as required.</i>					
63-67	Corvette	3868744	R.H.	11.35	REINFORCEMENT, door sill
63-66	Corvette	3868743	L.H.	11.35	REINFORCEMENT, door sill
67	Corvette	3914539	1	1.05	REINFORCEMENT, underbody tun. cvr.
68-72	Corvette (Spt. Cpe.)	3997245	1	3.85	REINFORCEMENT, back window storage tray
67	Corvette	3897379	1	1.60	REINFORCEMENT ASSY., underbody cvr. to park brace
68-74	Corvette	3908124	R.H.	1.70	REINFORCEMENT ASSY., seat mtg. underbody front
68-74	Corvette	3908123	L.H.	1.70	REINFORCEMENT ASSY., seat mtg. underbody front
68-76	Corvette	339170	1	1.60	REINFORCEMENT ASSY., underbody tunnel rear console front
68-76	Corvette	3918664	1	1.25	REINFORCEMENT ASSY., underbody tunnel rear console rear
68-69	Corvette	3930336	R.H.	18.50	REINFORCEMENT ASSY., door sill
68-69	Corvette	3930335	L.H.	18.50	REINFORCEMENT ASSY., door sill
71-74	Corvette	3977759	L.H.	18.50	REINFORCEMENT ASSY., door sill
70-74	Corvette	3977760	R.H.	18.50	REINFORCEMENT ASSY., door sill
71-75	Corvette	336195	1	29.00	REINFORCEMENT ASSY., underbody closing panel ctr.
75	Corvette	347925	L.H.	2.20	REINFORCEMENT ASSY, St. Mt. U/B Frt.
75	Corvette	347926	R.H.	2.20	REINFORCEMENT ASSY., st. mt. u/b frt.
75-76	Corvette	345425	L.H.	18.40	REINFORCEMENT ASSY., door sill
75-76	Corvette	345426	R.H.	18.40	REINFORCEMENT ASSY, door sill
67	Corvette	3897369	1	1.90	RING, underbody tun. cvr. trim
68-76	Corvette	3918667	1	1.90	RING, underbody tunnel rr. console park brake lever trim
68-72	Corvette	3966348	1	3.90	RING, center w/b stor. compt. dr. trim (saddle) (Note 3)
73	Corvette	333689	1	3.95	RING, u/b storage ctr. compt. door tr. (Note 3)
<i>NOTE 3 Paint as required, rework front upper corner as required.</i>					
68-70	Corvette (Spt. Cpe.)	3947966	2	.12	RIVET, underbody storage compt. cover door
68-70	Corvette (Spt. Cpe.)	3947968	2	.12	RIVET, back window stor. tray front clip
68-76	Corvette	3918669	1	.24	SEAL, u/b storage compt.
68-76	Corvette	3926239	AR	.17	SHIELD, underbody storage center compt. lp.
68-70	Corvette (Spt. Cpe.)	3977747	2	11.65	STRAP ASSY., roof panel storage (black)
68-70	Corvette (Spt. Cpe.)	3977749	2	10.30	STRAP ASSY., roof panel storage (comb. 407, 408) (red)
68-70	Corvette (Spt. Cpe.)	3977753	2	10.60	STRAP ASSY., roof pnl. storage (comb. 411, 412, 414, 415) (med. br. blue)
70	Corvette	3977755	2	11.00	STRAP ASSY., roof panel storage (med. saddle)
70	Corvette	3977757	2	10.40	STRAP ASSY., roof panel storage (green)
70	Corvette	3977751	2	10.40	STRAP ASSY., roof panel storage (dk. brown)

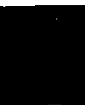
METAL TRIM—CLIPS AND PANELS

12.981		PANEL— BEZEL ASSY.— BONDING STRIP— BRACE ASSY.— BRACKET— BRACKET ASSY.— BUMPER— BUSHING— CLIP— COMPARTMENT— COMPARTMENT ASSY.— CONSOLE ASSY.— COVER— COVER ASSY.— DOOR— DOOR ASSY.— ESCUTCHEON— HANDLE— HANDLE ASSY.— HINGE ASSY.— NUT— PLATE— PLUG— REINFORCEMENT— REINFORCEMENT ASSY.— RING— RIVET— SEAL— SHIELD— STRAP ASSY.— STRIKER— STRIP— SUPPORT, Rear Compartment Floor (Con't)			
71-72	Corvette (Spt. Cpe.)	3994864	1		STRAP ASSY., roof panel storage (dk. bright blue) (412)
71-72	Corvette (Spt. Cpe.)	3994921	1		STRAP ASSY., roof panel storage (dk. saddle) (417, 420)
71	Corvette (Spt. Cpe.)	3994980	1	10.95	STRAP ASSY., roof panel storage (dk. green) (423)
71-72	Corvette (Spt. Cpe.)	3995069	1		STRAP ASSY., roof panel storage (red) (407)
73-75	Corvette (Spt. Cpe.)	333326	1	11.55	STRAP ASSY., roof panel storage (comb. 413) (midnight blue)
73	Corvette (Spt. Cpe.)	333327	1	11.55	STRAP ASSY., roof panel storage (comb. 418, 422) (dk. saddle)
71-76	Corvette (Spt. Cpe.)	333328	1	11.55	STRAP ASSY., roof panel storage (comb. 400, 404, 191) (black)
73-75	Corvette (Spt. Cpe.)	333329	1	11.55	STRAP ASSY., roof panel storage (comb. 425) (oxblood)
73-75	Corvette (Spt. Cpe.)	334703	1	11.55	STRAP ASSY., roof panel storage (comb. 415, 416) (med. saddle)
74-75	Corvette (Spt. Cpe.)	341640	1	11.55	STRAP ASSY., rf. panel stor. (comb. 406/407) (silver)
74-75	Corvette (Spt. Cpe.)	341641	1	11.55	STRAP ASSY., rf. panel stor. (comb. 408) (neutral)
68-76	Corvette	3945644	3	.33	STRIKER, underbody stor. compt. door lock
71-73	Corvette (Spt. Cpe.)	3996897	1	1.15	STRIKER, back window storage tray
69-73	Corvette	3996838	R.H.	7.65	STRIP, roof panel qtr.
68-73	Corvette	3996837	L.H.	7.65	STRIP, roof panel qtr.
74	Corvette	336171	L.H.		STRIP, rear quarter bond
74	Corvette	336172	R.H.		STRIP, rear quarter bond
75-76	Corvette	345415	L.H.	7.15	STRIP, rear quarter bond
75-76	Corvette	345416	R.H.	7.15	STRIP, rear quarter bond
68-75	Corvette	3918565	1	13.15	SUPPORT, underbody storage compt.

NOTE 4: When used in 1971 models, cut openings for instl. fibre optics, and paint as reqd.

12.986		PANEL— BONDING STRIP— FILLER— NUT— REINFORCEMENT— SUPPORT, Body Rear End (plastic laminate)			
63-66	Corvette	3878896	1	50.75	body rear lower
67	Corvette	3897425	1	50.75	body rear lwr.
68-73	Corvette	3977864	1	48.25	rear lower
63-67	Corvette (Conv.)				BONDING STRIP, body rr. upper to body rr. lwr. panel
63-67	Corvette (Spt. Cpe.)	3897426	1	15.40	roof to body rr. lwr. panel
63	Corvette	3825871	L.H.	3.45	BONDING STRIP, body rr. lwr. filler panel
68-73	Corvette	3912899	1	10.75	BONDING STRIP, body rear upper lower panel
63-67	Corvette	3843259	2	6.10	FILLER, upper panel rear supt. to underbody
68-69	Corvette (Conv.)	3915778	R.H.	1.05	FILLER, body rear upper panel support
63-67	Corvette (exc. Spt. Cpe.)	3824444	1	4.35	REINFORCEMENT, body rr. upper panel rr. supt.
68-71	Corvette (Conv.)	3912874	R.H.	2.61	REINFORCEMENT, body rr. upper panel rr. supt.
68-71	Corvette (Conv.)	3912873	L.H.	2.79	REINFORCEMENT, body rear upper panel
68-70	Corvette (Conv.)	3958888	1	12.50	SUPPORT, body rear upr. panel
71-73	Corvette (Conv.)	3994805	L.H.	5.70	SUPPORT, body rear upper panel
71-73	Corvette (Conv.)	3994806	R.H.	7.15	SUPPORT, body rear upper panel
74-75	Corvette (Conv.)	336193	L.H.	8.50	SUPPORT, body rear upper panel
74-75	Corvette (Conv.)	336194	R.H.	8.50	SUPPORT, body rear upper panel

GROUP 13.000
BODY WIRING



BODY WIRING—FOLDING TOP TRIM

**13.090 HARNESS—CLIP—WIRE ASSY., Body Wiring, Electrical Equipment Wiring
(See Group 2.480 for Chassis Wiring Harness and Extension)**

63-67	Corvette w/elect window	2986102	1	16.15	window regulator wiring
65	Corvette (exc. C. and C. Equipment)	2988868	1	37.25	
67	Corvette	6291167	1	37.25	body wiring
68	Corvette w/elect. window	6295075	1	31.25	wind. regulator wiring
68	Corvette	6295248	1	79.90	body wiring
69	Corvette	6297545	1	85.50	body wiring
70	Corvette	8901531	1	100.00	
69	Corvette w/elect. window	6297547	1	49.50	window regulator wiring
70-74	Corvette w/elect. window	8901971	1	30.80	window regulator wiring
71	Corvette	8901903	1	139.00	body wiring
72	Corvette	8908177	1	81.25	eng wrg.
73	Corvette	8914526	1	81.25	body wrg.
74	Corvette	8908379	1	81.00	body wiring
75	Corvette	8919822	1	102.00	body wiring
75-76	Corvette w/elect. window	8908478	1	49.80	window regulator wiring
75	Corvette	1724843	1	7.75	seat belt warning light
75	Corvette	8919168	1		seat belt warning
68-76	Corvette	3923961	2	.10	CLIP, harness to rocker panel, w/h cup
68-76	Corvette	3935510	3	.10	CLIP, harness to u/body and to cowl side panel
68	Corvette (Conv.)	6295078	1	2.87	WIRE ASSY., rear compt. lamp
72-73	Corvette w/4-Spd.	8908188	1	4.95	WIRE ASSY., st. blt. wrn. & park. brk. relay jpr.
74	Corvette w/4 Spd.	8908421	1	15.10	WIRE ASSY., st belt warning and park brk. relay jumper

13.095 CIRCUIT BREAKER— LOGIC ASSY.— RELAY ASSY.— SWITCH ASSY.

65-67	Corvette	4849850	1	3.11	headlamp motor, elect. wind.
67-74	Corvette w/elect. wind.	4850166	1	3.04	
74-75	Corvette	9736651	1	46.68	LOGIC ASSY., ignition interlock system
64-67	Corvette	1116990	1	6.20	RELAY ASSY., headlamp motor actuator
68-76	Corvette w/elect. wind.	7729602	1	4.58	RELAY ASSY., electric
73	Corvette	3961573	1	2.59	RELAY ASSY., seat belt warning— (4.075)
74-75	Corvette	1997426	1	7.15	RELAY ASSY., seat belt starter motor interlock
74-75	Corvette	1243384	1	4.95	RELAY ASSY., seat belt interlock override
75	Corvette	494882	1	4.00	RELAY ASSY., st. belt warning and park. brake
72-74	Corvette	6273358	1	7.60	SWITCH ASSY., st. belt warning

13.100 CONNECTOR AND TERMINAL ASSY., Body Wiring

75	Corvette	8911978	1	4.07	seat belt interlock
----	----------	---------	---	------	---------------------

13.250 TRIM ASSY., Roof Panel (Exterior)

67	Corvette	3900344	1	49.30	black
68-76	Corvette w/vinyl top	3912804	1	54.10	black

13.342 CLIP, Fldg. Top, Bow Binding End

All	Corvette (Conv.)	7614749	2	.22	
-----	------------------	---------	---	-----	--

13.346 TOP ASSY., Folding

NOTE: Corvette Top Assemblies do not include all parts necessary for initial installation.

63-67	Corvette	3831866	1	381.00	black
63-67	Corvette	3831867	1	381.00	white
68-72	Corvette (Conv.)	3977790	1	381.00	black (Note 1)
68-75	Corvette (Conv.)	333440	1	381.00	white (Note 1)
73-75	Corvette (Conv.)	333439	1	381.00	fldg. compt. black

NOTE 1 When used on 1968 & 1st design 1969 models it will be required to use one each 3958703-04 guide and 4-3958726 atch. screws.

13.346A TOP ASSY.— BOLT— BRACKET— BUMPER— COVER ASSY.— ESCUTCHEON— FERRULE— MOULDING— NUT— PANEL ASSY.— PLATE— REINFORCEMENT— RETAINER— SCREW— SPACER— WASHER— WEATHERSTRIP, Hardtop

68-75	Corvette w/aux. top	6259648	1		(Note 3)
<i>NOTE 3: Includes all hardware, glass and trim. Paint as reqd.</i>					
65-75	Corvette (Conv.) w/aux. top	3828264	1	.26	BOLT, roof panel mtg. (1" long)
63-67	Corvette	3828265	1	1.65	BRACKET, left, roof panel rear
63-73	Corvette (Conv.)	3828266	1	1.65	BRACKET, right, roof panel rear
68-75	Corvette (Conv.) w/aux. top	3912778	2	1.85	BRACKET, roof panel
69-75	Corvette (Conv.) w/aux. top	3962670	1	2.02	BRACKET ASSY., roof panel center
65-75	Corvette (Conv.) w/aux. top	3830940	1	.10	BUMPER, roof panel mtg. bolt

BODY WIRING—FOLDING TOP TRIM

**13.346A TOP ASSY.— BOLT— BRACKET— BUMPER— COVER ASSY.—
ESCUTCHEON— FERRULE— MOULDING— NUT— PANEL ASSY.—
PLATE— REINFORCEMENT— RETAINER— SCREW— SPACER—
WASHER— WEATHERSTRIP, Hardtop (Con't)**

68-75	Corvette (Conv.) w/aux. top	3940627	2	1.08	COVER ASSY. , rf. panel frt. mtg. bracket trim (paint as reqd.)
57-62	Corvette	3739311	1	.53	ESCUTCHEON , header mldg. (stainless steel)
65-75	Corvette (Conv.) w/aux. top	3830938	1	.59	FERRULE , roof panel center
63-67	Corvette	3827166	1	19.95	MOULDING , roof header garnish
56-75	Corvette (Conv.) w/aux. top	3727928	2	1.68	NUT , roof panel to body
63-66	Corvette	9423925	6	.06	NUT , roof panel side rail rr. weatherstrip (No. 4— 32)— (8.923)
68-75	Corvette	3981803	L.H.	107.25	PANEL ASSY. , left front roof (Note 2, 4)
68-75	Corvette	3981804	R.H.	107.25	PANEL ASSY. , right front roof (Note 2, 4)
<i>NOTE 2: Paint as required.</i>					
<i>NOTE 4: When used on 1968 and some 1969 models it will also be required to use 1-3956391 guide and 2-3968726 atch. screws.</i>					
56-62	Corvette	3732377	1	.80	PLATE , mounting rear bracket (stainless steel)
63-67	Corvette	3839636	1		REINFORCEMENT , right roof panel rear
63-67	Corvette	3830939	2	.31	RETAINER , roof panel mounting bolt
63-67	Corvette	3887430	6	.11	RETAINER , panel side with weatherstrip nut
65-73	Corvette (Conv.) w/aux. top	3727973	2	.37	SCREW , roof panel (1/4"— 28 x 9/16")— (12.121)
63-67	Corvette	3837282	2	.96	SCREW , bk. wind. glass mtg. plate (No. 10— 24 x 7/32")
69-75	Corvette (Conv.) w/aux. top	3958748	4	.45	SPACER , rr. bow lock stud
63-67	Corvette	3831541	2	.10	WASHER , roof panel mtg. bolt (1/2"— rubber)
64-67	Corvette w/Hardtop	3827499	2	.10	WASHER , roof pnl. mtg. bolt (3/8")
63-67	Corvette	3827481	1	9.95	WEATHERSTRIP , roof bow (center)
68-75	Corvette (Conv.) w/aux. top	3919691	1	25.25	WEATHERSTRIP ASSY. , roof panel rr.

13.347 TRIM ASSY., Folding Top Cover

NOTE. When ordering trim assy., the color of the top or cover assy. must be specified.

61-62	Corvette	3796068	1		white (w/back window)
68-72	Corvette (Conv.)	3915713	1	108.75	black
73-74	Corvette (Conv.)	6258960	1	108.75	fldg. top (black)
68-74	Corvette (Conv.)	6258961	1	108.75	fldg. top (white)

13.352 WEATHERSTRIP, Folding Top Cover (on side belt rail)

53-60	Corvette	3814213	1	6.75	compt. lid (160 long)
63-74	Corvette (Conv.)	3828967	1	6.75	compt. lid

13.365 HINGE— SCREW— WASHER, Fldg. Top Frame Riveted

68-75	Corvette (Conv.) w/aux. top	3914586	R.H.	11.45	
68-75	Corvette (Conv.) w/aux. top	3977793	L.H.	11.45	
56-61	Corvette	431806	A.R.		WASHER , link (all locations) (3/8")— (8.928)

13.389 WINDOW ASSY., Rear

68-74	Corvette	6258959	1	47.75	white
72-74	Corvette (Conv.)	6258958	1	47.75	(black)

**14.000 GROUP
INTERIOR TRIM**



FOLDING TOP PARTS—INTERIOR TRIM

14.050 HEADER—BRACKET—NUT—PANEL ASSY.—SCREW, Folding Top Front Roof

63-67 Corvette w/Hardtop	3827468	1	10.25	roof panel lower
68 Corvette (Conv.)	3930359	1	.92	BRACKET , center, frt. head trim panel
68-75 Corvette (Conv.)	3930361	2	.17	BRACKET , outer, frt. head trim panel
69-75 Corvette	3966660	2	.31	BRACKET , w/s header mldg. support
68-69 Corvette (Spt. Cpe.)	3926358	4	.11	NUT , frt. roof inner panel fstn. (2 ³ / ₄ " O.L.)
68-75 Corvette (Spt. Cpe.)	3926357	8	.65	NUT , frt. roof inner panel fstn. (2 ³ / ₈ " O.L.)
63-67 Corvette	3826230	1	21.90	PANEL ASSY. , front header
68-74 Corvette (Conv.)	3958708	1	36.70	PANEL ASSY. , front header
68-75 Corvette (Conv.)	333549	1	38.15	PANEL ASSY. , front header trim
68-73 Corvette (Conv.)	588546	A.R.	.10	SCREW , header trim panel, header trim panel outer bracket— (12.118)

14.060 WEATHERSTRIP— CLIP— FASTENER— RETAINER, Folding and Hard Top Front Roof Rail

56-62 Corvette w/Hardtop	3762539	1	2.75	roof panel hdr. (rubber)
56-62 Corvette	3762521	1	11.95	header (rubber) (Note 1)
<i>NOTE 1 When using 3762521 on 1956-1959 models it will be necessary to also use the following parts. (1) 3762523 and (1) 3762524 w/strips, (1) 3762521 w/strip, (1) 3762691 and (1) 3762692 retainers, (4) 9414039 nut, (4) 9420489 and (2) 164359 screws. It may also be necessary to relocate new w/strip and retainer attaching holes.</i>				
59-62 Corvette	3762697	L.H.	11.95	left, header filler
59-62 Corvette	3762698	R.H.	11.95	right, header filler
63-67 Corvette	3846179	1	11.95	header
63-67 Corvette	3828214	2	8.50	side center
63-75 Corvette	6258083	1	6.75	fldg. top frt. header panel trim (black)
63-75 Corvette	6258084	1	6.75	fldg. top frt. header panel trim (white)
68-75 Corvette (Conv.) w/aux. top	3974087	1	14.95	roof panel header
68-72 Corvette (Conv.) (exc. aux. top),				
74-75 Corvette	3974084	1	14.95	fldg. top header
68-70 Corvette (Conv.)	3926406	1	6.75	fldg. top frt. header pnl. trim (sandalwood)
73 Corvette (Conv.)	334737	R.H.	14.95	fldg. top header
56-62 Corvette w/Hardtop	3726386	A.R.	.16	CLIP , roof panel hdr. w/strip
70-72 Corvette	4876498	2	.11	FASTENER , weatherstrip— (10.695)
56-62 Corvette	3762692	R.H.	.96	RETAINER , right, side front rail weatherstrip
56-62 Corvette	3762531	1	3.20	RETAINER , header weatherstrip
56-62 Corvette	3762691	L.H.	.96	RETAINER , left, side front rail weatherstrip
63-67 Corvette w/Hardtop	3828544	R.H.	.31	RETAINER , right, roof bow w/strip outer
65-67 Corvette w/Hardtop	3831505	A.R.	.10	RETAINER , roof panel header w/strip— (10.721)

14.080 BOLT— HOUSING— STUD, Folding Top Front Roof Rail

68-75 Corvette (Conv.)	3976592	A.R.	1.41	hd. lock w/rubber insert
68-75 Corvette (Conv.)	3940635	2	1.75	rear bow lock (Note 2)
68-75 Corvette (Conv.) w/aux. top	3958897	2	4.55	HOUSING , rr. bow lock bolt (Note 1)
68-75 Corvette (Conv.) w/aux. top	3918684	1	.84	HOUSING , roof panel lock
68-75 Corvette (Conv.)	3958895	2	4.55	HOUSING , rr. bow lock bolt (Note 1)
<i>NOTE 1 When using in place of old numbers procure and use/1/3940635 bolt.</i>				
70-75 Corvette (Conv.)	3995063	L.H.	.64	HOUSING , left comp. lid lock pin (Note 2)
70-75 Corvette (Conv.)	3995064	R.H.	.64	HOUSING , right comp. lid lock pin (Note 2)
69-75 Corvette (Conv.) w/aux. top	3942769	2	1.20	STUD , rear bow lock
<i>NOTE 2 When using 3940635 in place of 3915794 redrill and retap hole in old housing or use new housing 3940640 or 3940688.</i>				

14.080A PLATE— BRACKET ASSY.— BUMPER— CLAMP— COVER— GASKET— LOCK ASSY.— PIN— SCREW— SPRING— WASHER, Lock Parts, Folding and Hardtop

56-62 Corvette				left, header lock
61-62 Corvette w/Hardtop	3716391	1	.65	left, roof panel header lock
56-62 Corvette				right, header lock
61-62 Corvette w/Hardtop	3716392	1	.68	right, roof panel header lock
68-75 Corvette (Conv.)	3948107	A.R.	.64	BRACKET ASSY. , compt. lid lock cable
70-74 Corvette (Conv.)	3995062	2	3.28	BUMPER , fldg. top compt. lid
63-67 Corvette	3820406	2	.26	CLAMP , rear bow lock
68-75 Corvette (Conv.)	3918587	2	2.39	COVER , rear bow lock
63-67 Corvette	3838259	2	.33	GASKET , rear bow lock
68-75 Corvette (Conv.)	3915817	2	.11	GASKET , rear bow lock cover
56-62 Corvette w/Hardtop	3889789	L.H.	9.95	LOCK ASSY. , left, roof panel header
56-62 Corvette w/Hardtop	3889790	R.H.	9.95	LOCK ASSY. , right, roof panel header
56-62 Corvette	3749530	2	19.25	LOCK ASSY. , rear bow
56-62 Corvette	3716389	L.H.	9.95	LOCK ASSY. , left, header
56-62 Corvette	3716390	R.H.	9.95	LOCK ASSY. , right, header
63-67 Corvette	3825178	R.H.	9.95	LOCK ASSY. , right, header
63-67 Corvette	3825177	L.H.	9.95	LOCK ASSY. , left, header

FOLDING TOP PARTS—INTERIOR TRIM

14.080A PLATE— BRACKET ASSY.— BUMPER— CLAMP— COVER— GASKET— LOCK ASSY.— PIN— SCREW— SPRING— WASHER, Lock Parts, Folding and Hardtop (Con't)

64-67	Corvette	3838257	2	9.95	LOCK ASSY., rear bow
68-75	Corvette (Conv.)	3942775	L.H.	9.95	LOCK ASSY., left, rear bow
68-75	Corvette (Conv.)	3942776	R.H.	9.95	LOCK ASSY., right, rear bow
68-75	Corvette (Conv.)	3962602	R.H.	9.95	LOCK ASSY., right, header
68-75	Corvette (Conv.)	3962601	L.H.	9.95	LOCK ASSY., left, header
68-75	Corvette (Conv.) w/aux. top	3962610	R.H.	9.95	LOCK ASSY., right, roof panel header
68-75	Corvette (Conv.) w/aux. top	3962609	L.H.	9.95	LOCK ASSY., left, roof panel header
63-67	Corvette	3822946	R.H.	6.00	PIN, right, rear bow lock (steel)
63-67	Corvette	3822945	L.H.	6.00	PIN, left, rear bow lock (steel)
70-75	Corvette (Conv.)	3966723	L.H.	.98	PIN, left fldg. top compt. lid lock
70-75	Corvette (Conv.)	3966724	R.H.	.98	PIN, right fldg. top compt. lid lock
70-72	Corvette (Conv.)	3958726	6	.26	SCREW, folding top compt. lid lock pin— (12.807)
56-59	Corvette	445504	A.R.	.05	SCREW (1/4"— 20 x 5/8")— (8.909)
63-64	Corvette	456757	A.R.	.07	SCREW, rear bow lock clamp— (8.913)
68-72	Corvette (Conv.),				
75	Corvette (Conv.)	3942773	L.H.	.68	SPRING, rear bow lock assy.
68-72	Corvette (Conv.),				
75	Corvette (Conv.)	3942774	R.H.	.68	SPRING, rear bow lock assy.
69-75	Corvette (Conv.) w/aux. top	3942766	2	.26	WASHER, rr. bow lock stud

14.090 PLATE— GUIDE— INSERT— STRIKER, Folding Top Roof Rail

63-67	Corvette	3831693	2	.17	side front rail wedge
68	Corvette (Conv.)	3913984	2	.15	side front rail wedge
68-75	Corvette (Spt. Cpe.)	3976314	R.H.	2.46	front roof lock wedge
68-75	Corvette (Spt. Cpe.)	3976313	L.H.	2.46	front roof lock wedge
63-67	Corvette	3826370	R.H.	3.21	GUIDE, fldg. top header
63-67	Corvette	3826369	L.H.	3.21	GUIDE, fldg. top header
63-67	Corvette w/Hardtop	3863878	R.H.	3.04	GUIDE, roof panel header
63-67	Corvette w/Hardtop	3863875	L.H.	3.04	GUIDE, roof panel header
68-75	Corvette (Spt. Cpe.)	3956391	L.H.	1.70	GUIDE, header
68-75	Corvette (Spt. Cpe.)	3956392	R.H.	1.70	GUIDE, header
68-69	Corvette w/Hardtop	3913978	R.H.	.53	GUIDE, header
68-69	Corvette w/Hardtop	3913977	L.H.	.53	GUIDE, header
69-75	Corvette (Conv.)	3958703	L.H.	.53	GUIDE, header
69-75	Corvette (Conv.)	3958704	R.H.	.53	GUIDE, header
68-72	Corvette (Spt. Cpe.)	452620	4	.20	INSERT, frt. roof panel— (8.914)
63-67	Corvette	3826367	L.H.	3.20	STRIKER, w/bushing, header lock
63-67	Corvette	3826368	R.H.	3.20	STRIKER, w/bushing, header lock

14.100 RAIL, Folding Top Side Roof— Front

68-75	Corvette	3914562	R.H.	14.15	RAIL ASSY.
68-75	Corvette	3914561	L.H.	14.15	RAIL ASSY.

14.102 CABLE ASSY., Folding Top Trim Hold Down

68-75	Corvette (Conv.)	3942764	R.H.	2.28	
68-75	Corvette (Conv.)	3942763	L.H.	2.28	
73-75	Corvette	3977787	A.R.	2.28	fldg. top

14.120 WEATHERSTRIP, Folding Top Side Roof Rail— Front

63-67	Corvette	3846176	R.H.	19.95	header ext. and side front rail
63-67	Corvette	3846175	L.H.	19.95	header ext. and side front rail
63-67	Corvette w/Hardtop	3846178	R.H.	19.95	roof panel header ext. and side rail
68-69	Corvette (Spt. Cpe.)	3935528	R.H.	4.95	roof panel side
68-69	Corvette (Spt. Cpe.)	3935527	L.H.	4.95	roof panel side
68-72	Corvette (Conv.)	3945281	L.H.	4.35	
68-72	Corvette (Conv.)	3945282	R.H.	4.35	
68-75	Corvette (Conv.)	3972329	L.H.	4.35	
68-75	Corvette (Conv.)	3972330	R.H.	4.35	

14.140 LINK, Folding Top Side Roof Rail Control

68-75	Corvette (Conv.)	3915616	R.H.	3.50	right, control
68-75	Corvette (Conv.)	3915615	L.H.	3.50	left, control

14.155 SCREW, Folding Top Side Roof Rail Control Link

63-73	Corvette	4591016	4	.11	rear bow pivot bracket (1/4"— 12— 20 x 9/16")— (10.474)
65-73	Corvette (Conv.)	9418559	4	.11	top No. 1 and 2 bow assy. (2 1/2"— 20 x 9/16")— (8.977)

14.157 NUT, Folding Top Side Roof Rail

63-67	Corvette	3828336	2	.29	rail link and bow assy. to fldg. top front head panel anchor
-------	----------	---------	---	-----	--

FOLDING TOP PARTS—INTERIOR TRIM

14.160 BUSHING, Folding Top Side Roof Rail

62	Corvette w/hyd. top	4613551 A.R.	.15	top hinge to upr. aux. link
66-75	Corvette (Conv.)	4726864 2	.11	rr. bow to male hinge, rr. bow connecting link to rr. rail

14.162 WASHER, Folding Top Side Roof Rail

56-62	Corvette	4574152 2	.11	fldg. top compt. cover bow
-------	----------	-----------	-----	----------------------------

14.170 RAIL, Folding Top Side Roof— Center

68-75	Corvette (Conv.)	3914568 R.H.	15.25	RAIL ASSY.
68-75	Corvette (Conv.)	3914567 L.H.	15.25	RAIL ASSY.

14.190 WEATHERSTRIP— WASHER, Folding Top Side Roof Center

56-62	Corvette	3762526 R.H.	2.75	side ctr. rail (Neoprene) (Note 1)
56-62	Corvette	3762525 L.H.	2.75	side ctr. rail (Neoprene) (Note 1)

NOTE 1 It may be necessary to use (1) 3762693 and (1) 3762694 retainers together with (6) 9414039 nuts and (6) 9420489 screws.

It may also be necessary to relocate new weatherstrip and retainer attaching holes.

63-67	Corvette w/Hardtop	3833130 1	5.50	roof drip mldg. (46 ⁷ / ₈ ")
68-75	Corvette (Conv.)	3945283 L.H.	4.50	center rail
68-75	Corvette (Conv.)	3945284 R.H.	4.50	center rail
68-75	Corvette w/aux. top	3964136 R.H.	11.95	roof panel side
68-75	Corvette w/aux. top	3964135 L.H.	11.95	roof panel side
68-72	Corvette w/aux. top	3922439 A.R.	.10	WASHER, roof panel side weatherstrip

14.260 WEATHERSTRIP— WEATHERSTRIP ASSY., Folding Top Side Roof Rail— Rear

56-60	Corvette	3716407 L.H.	6.50	left, side rr. rail lwr.
56-60	Corvette	3716408 R.H.	6.50	right, side rr. rail lwr.
56-62	Corvette	3762529 L.H.	6.50	left, side rr. rail upr. (Neoprene) (Note 1)

NOTE 1 When using 3762529 it may be necessary to use (1) 3716407 and (1) 3762695.

NOTE 2 When using 3762530 it may be necessary to use (1) 3716408 and (1) 3762696.

61-62	Corvette	3783358 R.H.	6.50	side rear rail lwr.
61-62	Corvette	3783357 L.H.	6.50	side rear rail lwr.
63-67	Corvette	3830654 R.H.	6.50	lower
63-67	Corvette	3830653 L.H.	6.50	lower
68-75	Corvette (Conv.)	3919616 R.H.	6.50	WEATHERSTRIP ASSY., rear rail
68-75	Corvette (Conv.)	3919615 L.H.	6.50	WEATHERSTRIP ASSY., rear rail
68-74	Corvette	3935580 R.H.	6.50	WEATHERSTRIP ASSY., lower frt.
68-73	Corvette	3935579 L.H.	6.50	WEATHERSTRIP ASSY., lower frt.

14.310 SUPPORT— BRACKET, Folding Top

68-75	Corvette (Conv.)	3914592 R.H.	3.92	BRACKET, rear bow pivot
68-70	Corvette (Conv.)	3914591 L.H.	3.92	BRACKET, rear bow pivot

14.340 BOW— BUSHING— LEVER— LINK— MATERIAL— PROTECTOR— RAIL ASSY.— RETAINER— RIVET— ROD— SCREW— SHIM— STOP— WEATHERSTRIP, Folding Top— Rear

68-75	Corvette (Conv.)	3932923 1	56.10	rear
63-67	Corvette	3824345 1	18.25	BOW ASSY., No. 3
68-75	Corvette (Conv.)	3914559 1	16.05	BOW ASSY., No. 1
68-75	Corvette (Conv.)	3914587 1	19.25	BOW ASSY., No. 2
68-75	Corvette (Conv.)	3914588 1	22.10	BOW ASSY., No. 3
56-75	Corvette (Conv.)	3716293 A.R.	1.38	BUSHING (nylon) (used w/side rr. rail ext.) front control link to side front rail, front rail assy., to side center rail assy., side front control link to side rr. rail
68-75	Corvette (Conv.)	3914575 L.H.	6.45	LINK, left, rear control
63-75	Corvette	3794229 2	.31	PROTECTOR, auto topping material rr. bow
68-75	Corvette (Conv.)	3914578 R.H.	20.05	RAIL ASSY., right side rear (includes support)
68-75	Corvette (Conv.)	3914577 L.H.	20.05	RAIL ASSY., left side rear (includes support)
68-69	Corvette (Conv.)	3914594 1	248.75	RAIL ASSY. (includes link and bow)
70-75	Corvette (Conv.)	3977794 1	248.75	RAIL ASSY. (includes link and bow)
59-62	Corvette	3762693 L.H.	.65	RETAINER, left, side ctr. rail weatherstrip
59-62	Corvette	3762694 R.H.	.58	RETAINER, right, side ctr. rail weatherstrip
63-75	Corvette	3794088 2	.48	RETAINER, stay strap
63-74	Corvette	4759260 2	.30	RIVET, side rr. rail and supt.
68-75	Corvette (Conv.)	3941815 L.H.	1.12	ROD, rr. bow lock
68-75	Corvette (Conv.)	3915885 1	.10	ROD, bow lock center
70-75	Corvette (Conv.)	3995067 1	.58	SCREW, top compt. lid bumper (Note 1)

NOTE 1 When using 3995067 in place of 3966684 it will be necessary to use 1/3995062 bumper.

68-75	Corvette (Conv.)	3942777 1	2.22	SCREW ASSY., rear bow lock center lvr.
68-75	Corvette (Conv.)	3935690 2	.10	SHIM, fldg. top rr. bow lock bolt housing
68-75	Corvette (Conv.)	3941817 2	.48	STOP, rr. bow lock rod

FOLDING TOP PARTS—INTERIOR TRIM

**14.340 BOW— BUSHING— LEVER— LINK— MATERIAL— PROTECTOR— RAIL
ASSY.— RETAINER— RIVET— ROD— SCREW— SHIM— STOP—
WEATHERSTRIP, Folding Top— Rear (Con't)**

61-62	Corvette	3781126	1	5.01	WEATHERSTRIP, cover bow
63-67	Corvette	3873761	1	6.75	WEATHERSTRIP, rear bow
68-75	Corvette (Conv.)	3935574	1	6.75	WEATHERSTRIP ASSY., rear bow
68-75	Corvette	3932924	1	.58	LEVER, f/top rr. bow lk. ctr.

14.478 PIN, Folding Top Clevis

68-73	Corvette	4550594	1	.10	(³ / ₁₆ " x 1 ³ / ₁₆ ")
-------	----------	---------	---	-----	--

14.482 BUSHING— GROMMET— SEAL, Folding Top Motor and Pump

56-61	Corvette	4613551	1	.15	hyd. lift upper support clevis pin— (14.180)
56-62	Corvette	3698109	4	.22	GROMMET, mounting bracket (rbr.) (1/2)
56-62	Corvette	4868618	2	.53	SEAL, hyd. pump mtr. shaft "O" ring (rbr.) (⁵ / ₁₆ " I.D.)

14.630 PANEL, Cowl Trim

58-61	Corvette	3749209	L.H.	19.35	left (painted)— (12.804)
-------	----------	---------	------	-------	--------------------------

14.640 TRIM ASSY., Headlining

NOTE 1 When using 3900334 and 3888216 for service paint as required.

14.640A TRIM ASSY., Front Roof Panel Headlining

68-72	Corvette (Spt. Cpe.)	3934941	L.H.	37.25	left (comb. 407, 408) (red)
70	Corvette (Spt. Cpe.)	3932983	L.H.		left (comb. 414) (dk. brown)
71-72	Corvette (Spt. Cpe.)	3994853	L.H.	36.90	(dk. bright blue) (412)
71	Corvette (Spt. Cpe.)	3932964	1		(dk. green) (423)
68-75	Corvette (Spt. Cpe.)	333313	L.H.	33.25	left (comb. 400, 404, 407, 408, 415, 416, 413, 418, 422, 425) (black)
68-75	Corvette (Spt. Cpe.)	333314	R.H.	33.25	right (comb. 400, 404, 407, 408, 415, 416, 413, 418, 422, 425) (black)

14.640B TRIM ASSY., CENTER ROOF Panel Headlining

68-72	Corvette (Spt. Cpe.)	3953017	1	29.00	(black)
68-75	Corvette (Spt. Cpe.)	333321	1	34.50	(comb. 400, 404, 407, 408) (black) paint as reqd.

14.640C TRIM ASSY., Upper Headlining

70-75	Corvette (Conv.) w/aux. top	333301	1	127.00	(comb.) (black) (paint as reqd.)
-------	-----------------------------	--------	---	--------	----------------------------------

14.640D TRIM ASSY., Lower Headlining

68-74	Corvette (Conv.) w/aux. top	333306	R.H.	31.80	right (paint as reqd.)
68-74	Corvette (Conv.) w/aux. top	333305	L.H.	31.80	left (paint as reqd.)
71-72	Corvette (Conv.) w/aux. top	3994913	L.H.	43.55	(dk. saddle) (417, 420, 421)

**14.640E TRIM ASSY.— PANEL— PANEL ASSY.— REINFORCEMENT, Rear Roof
Panel Headlining**

71-72	Corvette (Spt. Cpe.)	3977801	L.H.	40.80	(black) (paint as reqd.)
71-72	Corvette (Spt. Cpe.)	3977802	R.H.	40.80	(black) (paint as reqd.)
73-75	Corvette (Spt. Cpe.)	327675	L.H.	13.25	black (paint as reqd.)
73-75	Corvette (Spt. Cpe.)	327676	R.H.	13.25	black (paint as reqd.)
63-67	Corvette (Spt. Cpe.)	3846951	1	18.65	PANEL (laminated plastic)
68-74	Corvette (Spt. Cpe.)	3935661	L.H.	6.90	PANEL ASSY., left rear roof inner rear
68-73	Corvette (Spt. Cpe.)	3935662	R.H.	6.90	PANEL ASSY., right rear roof inner rear
74	Corvette	336187	1	21.20	REINFORCEMENT, body rear upper panel

**14.655 PAD— CLIP— COVER— EYELET— INSERT— POCKET ASSY.— SPRING,
Instrument Panel**

58-62	Corvette	3783248	1	110.75	(Note 1)
-------	----------	---------	---	--------	----------

NOTE 1: When using on 1958-59 models, order screen 3771917 in Group 10.256 to complete installation.

Paint as required.

NOTE 2 It may be necessary to relocate two holes for attaching hole insert.

68	Corvette	3930472	R.H.	67.80	right, lower (black)
68-69	Corvette	3932869	1	70.80	upper (black)
68	Corvette	3947019	L.H.	75.00	left, lower (comb. 414, 415) (med. brt. blue)
68	Corvette	3930478	R.H.	60.50	right, lower (comb. 414, 415) (med. brt. blue)
68-69	Corvette	3932871	1	70.80	upper (comb. 411, 412, 414, 415) (med. brt. blue)
68-69	Corvette	3932872	1	70.80	upper (comb. 420, 421) (saddle)
69	Corvette	3947911	L.H.	116.75	left, lower (black)
69	Corvette	3948156	R.H.	104.00	right, lower (black)
70-75	Corvette	333388	1	95.00	upper 400, 404, 412 (black) (paint as reqd.)
70	Corvette	3963141	R.H.	95.00	right, lower (black)
70	Corvette	3966743	L.H.	95.00	left, lower (comb. 418, 424) (med. saddle)

FOLDING TOP PARTS—INTERIOR TRIM

14.655 PAD— CLIP— COVER— EYELET— INSERT— POCKET ASSY.— SPRING, Instrument Panel (Con't)

71-75	Corvette	333398	R.H.	95.00	right, lwr. 400, 404 (black) (paint as reqd.)
71-72	Corvette	3995082	R.H.	95.00	right, lwr. (comb. 407) (red)
73	Corvette	333397	L.H.	95.00	lower (paint as reqd.)
74-75	Corvette w/C.A.C.	339119	L.H.	95.00	left lower (comb. 400, 404) (black)
74-75	Corvette w/o C.A.C.	339121	L.H.	95.00	left lower (comb. 400, 404) (black)
63-67	Corvette	3824160	26	.10	CLIP, instr. panel pad
68-75	Corvette (Conv.) w/C.A.C.	333560	R.H.	12.50	COVER, side trim 400, 404 (black) (paint as reqd.)
53-64	Corvette	4592059	A.R.	.10	EYELET, pillar to dash trim cover— (14.685)
63-65	Corvette	3861370	1	1.50	INSERT, pad assist hole (med. dk. saddle) (Note 3)
69-75	Corvette	333428	1	19.05	POCKET ASSY., pad map (comb. 425) (red)
69-70	Corvette	3962863	1	19.05	POCKET ASSY., pad map (comb. 411, 412) (brt. blue)
71-73	Corvette	333430	1	19.55	POCKET ASSY., pad map (dk. saddle) (comb. 417, 418, 420, 421, 422)
69-75	Corvette	333427	1	19.05	POCKET ASSY., pad map (comb. 400, 404) (black)
73-75	Corvette	333429	1	19.55	POCKET ASSY., pad map (comb. 413) (med. blue)
73-75	Corvette	333694	1	19.05	POCKET ASSY., pad map (comb. 415, 416) (med. saddle)
74-75	Corvette	341655	1	19.55	POCKET ASSY., pad map (comb. 408)
74-75	Corvette	341849	1	19.55	POCKET ASSY., pad map (comb. 406, 407) (silver)
69-75	Corvette	3962616	1	.10	SPRING, pad map pocket

NOTE 3 Paint as required.

14.683 CLIP— EYELET, Front Door Trim Binding Strip Replacement

68-75	Corvette (Spt. Cpe.)	3935638	4	.10	rf. pnl. frt. hdng. trim
65-67	Corvette	3866051	16	.10	trim panel
68	Corvette	3932808	R.H.	.11	door trim upper rear
68-75	Corvette	3932809	4	.11	side door trim panel lower
53-67	Corvette	4592059	A.R.	.10	EYELET, door panel lower

14.685 TRIM ASSY.— EYELET— FASTENER— PANEL ASSY.— PLATE— SCREW, Front Door

NOTE: For 1970 to 1975 colors not listed, use black and paint as reqd.

NOTE It may be necessary to punch holes in trim assy. to insure proper fit.

69	Corvette	3964102	R.H.	49.55	(side door pnl. (black)
69	Corvette	3964101	L.H.	49.55	(side door pnl. (black)
69-71	Corvette	3871421	A.R.	.11	EYELET, side door trim panel
70-73	Corvette	3918654	8	.31	FASTENER, side door trim panel— (10.056)
70	Corvette	3977785	L.H.	95.00	PANEL ASSY., deluxe side dr. trim left (med. saddle) (424)
70-72	Corvette	3963161	L.H.	75.00	PANEL ASSY., side door trim (black) (std.)
70-72	Corvette	3963162	R.H.	75.00	PANEL ASSY., side door trim (black) (std.)
70-72	Corvette	3966754	R.H.	75.00	PANEL ASSY., side door trim (red)
70-75	Corvette	333343	L.H.	75.00	PANEL ASSY., side door trim (black)
70	Corvette	3966761	L.H.		PANEL ASSY., side door trim (paint to match)
70-75	Corvette	333344	R.H.	75.00	PANEL ASSY., side door trim (med. bright blue)
71-72	Corvette	3985007	L.H.	95.00	PANEL ASSY. (deluxe) side dr. trim left (dk. saddle) (420, 421)
71-72	Corvette	3995008	R.H.	95.00	PANEL ASSY. (deluxe) side dr. trim right (dk. saddle) (420, 421)
71-72	Corvette	3994870	R.H.	75.00	PANEL ASSY., side dr. trim right (dk. bright blue) (412)
71-72	Corvette	3994926	1	75.00	PANEL ASSY., side dr. trim right (dk. saddle) (417) (std.)
70-75	Corvette	333342	R.H.	95.00	PANEL ASSY., deluxe side door trim (black) (404)
70-75	Corvette	333341	L.H.	95.00	PANEL ASSY., deluxe side door trim (black) (404)
73-75	Corvette	334709	L.H.	95.00	PANEL ASSY., deluxe side trim (comb. 416, 652) (med. saddle)
73-75	Corvette	334710	R.H.	95.00	PANEL ASSY., deluxe side trim (comb. 416) (med. saddle) (leather)
73-75	Corvette	333343	L.H.	75.00	PANEL ASSY., side trim (comb. 400) (black)
73-75	Corvette	333344	R.H.	75.00	PANEL ASSY., side trim (comb. 400) (black)

FOLDING TOP PARTS—INTERIOR TRIM

14.685 TRIM ASSY.— EYELET— FASTENER— PANEL ASSY.— PLATE— SCREW, Front Door (Con't)

73	Corvette	333350	R.H.	75.00	PANEL ASSY., side trim (comb. 418) (dk. saddle)
73	Corvette	333351	L.H.	75.00	PANEL ASSY., side trim (comb. 422) (dk. saddle)
73	Corvette	333352	R.H.	75.00	PANEL ASSY., side trim (comb. 422) (dk. saddle)
74-75	Corvette	341652	R.H.	95.00	PANEL ASSY., deluxe side door trim (silver) (407)
74-75	Corvette	341653	L.H.	95.00	PANEL ASSY., deluxe side door trim (silver) (407)
75	Corvette	359662	R.H.	87.00	PANEL ASSY., deluxe side door trim (comb. 262) (dk. blue)
75	Corvette	359661	L.H.	87.00	PANEL ASSY., deluxe side door trim (comb. 262) (dk. blue)
75	Corvette	359666	R.H.	87.00	PANEL ASSY., deluxe side door trim (comb. 732) (oxblood)
75	Corvette	359665	L.H.	87.00	PANEL ASSY., deluxe side door trim (comb. 732) (oxblood)
70	Corvette	9431536	10	.06	SCREW, side dr. trim panel insert

14.686 REST ASSY., Front Door Arm

62-64	Corvette	4332259	2	8.70	left or right (comb. 872)
-------	----------	---------	---	------	---------------------------

14.688 NUT ASSY., Door Arm Rest and Trim Pad

53-69	Corvette	9419761	A.R.	.10	door trim reflector (1/8")— (8.921)
-------	----------	---------	------	-----	-------------------------------------

14.690 PLATE, Door Arm Rest Trim

62-74	Corvette	3880196	2	.23	anchor
-------	----------	---------	---	-----	--------

14.691 HANDLE ASSY.— PLATE— SCREW, Front Door Trim Finish

65	Corvette				left side,
69	Corvette	3956218	L.H.		side door inside pull (paint as required)
66-67	Corvette	3876569	L.H.	4.25	side door inside pull (chrome)
66-67	Corvette	3876570	R.H.	4.25	side door inside pull (chrome)
68	Corvette	7770614	2	4.25	side door pull (black)
68	Corvette	8712165	2	4.50	side door pull (comb. 420, 421) (med. saddle)
68	Corvette	9719132	2	4.25	side door pull (comb. 407) (red)
68	Corvette	9719133	2	4.25	side door pull (comb. 414, 415) (med. blue)
68	Corvette	9719134	2	4.25	side door pull (comb. 411) (dk. blue)
68	Corvette	9719135	2	4.25	side door pull (comb. 442) (gun metal)
65-75	Corvette	333535	1	4.25	(Note 1)
65-75	Corvette	333536	1	4.25	(Note 2)
70	Corvette	9431911	2	.05	SCREW, side door carpet midg.— (8.977)

NOTE 1: Use as right hand on 65-68 Models, left hand on 69-75.

NOTE 2: Use as left hand on 65-68 Models, right hand on 69-75.

14.730 SCREW— NUT, Trim Body Center Pillar (With Metal Inner Panel)

63-71	Corvette (Spt. Cpe.)	588546	4	.10	finish lace cap— (12.118)
63	Corvette (Conv.)	3762562	2	.31	NUT, finish lace cap— (10.219)

14.800 TRIM ASSEMBLY, Bucket Seat Back (Driver or Passenger)

NOTE. Excludes front seat back curved hard panel. See Group 11.358 for back panel.

68-69	Corvette	3913105	2	36.70	driver and pass. (black)
70-75	Corvette	333381	2	39.85	seat back cushion (comb. 400) (black/vinyl)
70-72	Corvette	3976556	2	49.95	seat back cushion (red)
70	Corvette	3976558	2	48.65	seat back cushion (med. saddle/vinyl)
70	Corvette	3976557	2	49.95	seat back cushion (bright blue)
70-71	Corvette	3976562	2	92.00	seat back cushion (black/leather)
70	Corvette	3976563	2	89.60	seat back cushion (med. saddle/leather)
71	Corvette	3994987	2	47.15	seat back (dk. green) (423)
71-72	Corvette	3994872	2	47.15	seat back cushion (dk. bright blue) (comb. 412) (vinyl)
71-72	Corvette	3994929	2	42.10	seat back cushion (dk. saddle) (vinyl) (comb. 417)
72	Corvette	6263502	2	83.30	seat back cushion (black) (leather) (comb. 404)
72	Corvette	6263504	2	83.30	seat back cushion (dk. saddle) (leather) (comb. 421)
73-75	Corvette	333382	2	48.40	seat back cushion (comb. 425) (oxblood) (vinyl)
73-75	Corvette	333383	2	45.70	seat back cushion (comb. 413) (med. blue) (vinyl)

FOLDING TOP PARTS—INTERIOR TRIM

14.800 TRIM ASSEMBLY, Bucket Seat Back (Driver or Passenger) (Con't)						
73	Corvette	333384	2	39.75	seat back cushion (comb. 418) (saddle) (vinyl)
73-74	Corvette	333385	2	91.00	seat back cushion (comb. 404) (black) (leather)
73	Corvette	333386	2	91.00	seat back cushion (comb. 422) (saddle) (leather)
73-75	Corvette	334717	2	45.70	seat back cushion (comb. 415, 65V) (saddle) (vinyl)
73-74	Corvette	334718	2	91.00	seat back cushion (comb. 416) (saddle) (leather)
74-75	Corvette	341659	2	46.15	seat back cushion (comb. 406, 14V) (silver) (vinyl)
74-75	Corvette	341660	2	112.50	seat back cushion (comb. 407, 142) (silver) (leather)
74-75	Corvette	341661		46.15	seat back cushion (comb. 408, 60I) (neutral) (vinyl)
75-76	Corvette	345443	2	117.00	seat back cushion (comb. 404, 192) (black) (leather)
75	Corvette	345444	2	112.75	seat back cushion (comb. 416, 652) (saddle) (leather)
75	Corvette	359667	2		seat back cushion (comb. 732) (dark oxblood) (leather)
75	Corvette	358668	2		seat back cushion (comb. 262) (dark blue) (leather)
 14.802 PAD, Front Seat Back						
73-75	Corvette	333360	2	20.65	seat back, foam
 14.804 INSERT, Seat Cushion and Trim						
70-75	Corvette	3995087	L.H.	1.66	seat back frame
70-75	Corvette	3995088	R.H.	1.66	seat back frame
 14.818 MOULDING— CLIP, Front Seat Side Trim						
56-62	Corvette	3725597	1	1.18	left, seat separator, lower (st. steel-chr. plate)
56-62	Corvette	3725598	1	1.18	right, seat separator, lower (st. steel-chr. plate)
56-62	Corvette	3725601	1	1.81	left, seat separator, upper (st. steel-chr. plate)
56-62	Corvette	3725602	1	1.81	right, seat separator, upper (st. steel-chr. plate)
56-62	Corvette	3725609	1	3.31	left, seat separator compartment door
56-62	Corvette	3725610	1	3.31	right, seat separator compartment door
56-62	Corvette	3728727	4	.10	CLIP , seat separator compt. dr. mldg.
65-75	Corvette	3869582	26	.10	CLIP , seat back cushion trim

FOLDING TOP PARTS—INTERIOR TRIM

14.875 BELT ASSY.— STRAP UNIT— HARNESS ASSY.— HARNESS UNIT, Seat and Shoulder

1958-1967 CORVETTE

YEAR	BLACK	BLUE	RED	SADDLE	GREEN
58-67 63-67 64-66 65-67 66-67	3955692	3955695* 3955694#	3955693	3955696	3955697

#Brt. Blue
*Med. Blue

1968 CORVETTE

BLACK	SADDLE	GUN METAL	BRIGHT BLUE	DARK ORANGE
3957819*	3957821*	3957823*	3957825*	3957826*

**NOTE: To comply with legal requirements instruction sheet 3934273 MUST BE included with each seat belt sold as a service replacement item.*

1969 CORVETTE

	BLACK
L.H. R.H.	3977635* 3977636*

**NOTE: To comply with legal requirements instruction sheet 3960121 MUST BE INCLUDED with each seat belt sold as a service replacement item.*

1970 CORVETTE

BLACK	RED	BRIGHT BLUE	MED. SADDLE	DARK BROWN	DARK GREEN
3996627	3996628	3996629	3996630	3996631	3996632

1971 CORVETTE

BLACK	RED	DK. BRT. BLUE	DARK SADDLE	GREEN
3996627	3996628	3996633	3996634	3996635

1972 CORVETTE

BLACK	RED	DK. BRT. BLUE	DK. SADDLE
6272016	6272017	6272018	6272019

FOLDING TOP PARTS—INTERIOR TRIM

1973 CORVETTE

MED. SADDLE	BLACK	DK. OXBLOOD	MIDN. BLUE	DK. SADDLE
6258618	6258619	6258620	6258621	6258622

HARNESS ASSY.— HARNESS UNIT, Shoulder

1966-1967 CORVETTE

YEAR	BLACK	BRT. BLUE	SADDLE	SILVER	GREEN	RED	MED. BLUE
66	3955698	3957800 3922048	3957802	3955687	3957803	3922047	3922049
66-67 67							
66-67 67	3922046		3922050		3922051		

1968 CORVETTE

BLACK	RED	SADDLE	MED. BRT. BLUE	TOBACCO	DK. BRT. BLUE	DARK ORANGE
3957811*	3957812*	3957813*	3957814*	3957816*	3957817*	3957818*

**NOTE: To comply with legal requirements instruction sheet 3936258 MUST BE INCLUDED with each harness assy. sold as a service replacement item.*

1969 CORVETTE

BLACK	3977639*

**NOTE: To comply with legal requirements instruction sheet 3960121 MUST BE INCLUDED with each harness assy. sold as a service replacement item.*

1970 CORVETTE

BLACK	RED	MED. BLUE	MED. SADDLE	DARK BROWN	DARK GREEN
6272021	6272022	3988903	3988904	3988905	3988906

1971 CORVETTE

BLACK	RED	BRIGHT BLUE	DARK SADDLE	DARK GREEN
6272021	6272022	6272023		3996649

1972 CORVETTE

BLACK	RED	BRIGHT BLUE	DARK SADDLE
6272021	6272022	6272023	6272024

FOLDING TOP PARTS—INTERIOR TRIM

1973 CORVETTE

BLACK	OXBLOOD	MIDN. BLUE	DK. SADDLE	MED. SADDLE
6258623	6258624	6258625	6258626	6258627

1974 CORVETTE

	Seat Belt	Units	Harness Units Shoulder	Harness Units Seat Belt & Shoulder	Harness Units Seat Belt & Shoulder
	Latch End	Buckle End		(L.H.) Latch End	(R.H.) Latch End
Black	344437	344458	344443	345157	345158
Med. Blue	344439	344459	344445	345159	345160
Saddle	344440	344461	344446	345163	345164
Neutral	344441	344463	344447	345167	345168
Silver	344442	344462	344448	345165	345166
Oxblood	344438	344460	344444	345161	345162

1975 CORVETTE

	Seat Belt	Units	Harness Units Shoulder	Harness Units Seat Belt & Shoulder	Harness Units Seat Belt & Shoulder
	Latch End	Buckle End		(R.H.) Latch End	(L.H.) Latch End
Black	357201	356881	357213	356856	356855
Mid. Blue	357202	356883	357214	356858	356857
Med. Saddle	357204	356885	357216	356862	356861
Lgt. Neutral	357206	356888	357218	356866	356865
Silver	357205	356887	357217	356864	356863
Dk. Oxblood	357203	356884	357215	356860	356859

**14.875A RETAINER— BOLT— BOOT— BRACKET— BUZZER— CABLE ASSY.—
CLIP— CONTAINER— COVER— ESCUTCHEON— GUIDE— PLATE ASSY.—
PLUG— REINFORCEMENT— REINFORCEMENT ASSY.— RETAINER—
SPACER— WASHER, Belt Assy. and Strap Unit**

67	Corvette	3897381	1	2.74	seat belt stowage
63-68	Corvette w/shoulder harness	3797486	4	.48	BOLT, seat belt to floor (7/16" — 20 x 7/8")
69-74	Corvette	3956042	2	.48	BOLT, shldr. harn. anchor plate reinf.
70-75	Corvette	3977719	2	.59	BOLT, shoulder harness boot retractor
73-74	Corvette	3996889	2	.07	BOLT, seat lap belt mtg. plate
75	Corvette	355344	2	.95	BOLT, seat lap belt mtg. plate
74-75	Corvette (Spt. Cpe.)	342221	2	.93	BOLT, shoulder harness
70-75	Corvette	333529	2	.76	BOOT, shoulder harness (paint as reqd.)
70	Corvette	3976587	2	.73	BOOT, shoulder harness (bright blue)
70	Corvette	3976589	2	.65	BOOT, shoulder harness (dk. brown)
74	Corvette	345193	2	1.85	BOOT, lap belt and shoulder harness assy. buckle (black)
74	Corvette (Spt. Cpe.)	345194	2	.83	BOOT, lap belt and shoulder harness upper (black)
65-66	Corvette	3897385	1	1.01	BRACKET, seat belt stowage
65-73	Corvette	3892275	1	1.30	BRACKET, seat belt cable
67	Corvette	3897408	1	.48	BRACKET, seat belt stowage
72-74	Corvette	6273366	1	.17	BRACKET, seat belt warn & park brake relay
74-75	Corvette	339734	1	1.57	BRACKET, seat belt cable
72	Corvette	6262663	1	3.02	BUZZER, seat belt warning— (2.195)
73	Corvette	6270699	1	2.91	BUZZER, seat belt warning— (2.195)
74	Corvette	6258257	1	3.11	BUZZER, seat belt warning— (2.195)
65-69	Corvette	3863625	1	4.94	CABLE ASSY., seat belt, inner
66-67	Corvette (Spt. Cpe.)	3907827	1	5.60	CABLE ASSY., shoulder harness
70-74	Corvette	3977713	1	4.94	CABLE ASSY., seat belt, inner
75	Corvette	359601	1	5.25	CABLE ASSY., seat belt, inner
69-72	Corvette	3958725	2	1.97	CLIP, seat belt
74-75	Corvette	9729050	2	.15	CLIP, front seat shoulder strap (plastic)
67-69	Corvette w/shldr. harn. deluxe	3983187	1	1.33	CONTAINER, shoulder harness buckle stowage (prime and paint as reqd.)
72-73	Corvette	333533	L.H.	2.46	COVER, seat belt retractor

FOLDING TOP PARTS—INTERIOR TRIM

14.875A RETAINER— BOLT— BOOT— BRACKET— BUZZER— CABLE ASSY.— CLIP— CONTAINER— COVER— ESCUTCHEON— GUIDE— PLATE ASSY.— PLUG— REINFORCEMENT— REINFORCEMENT ASSY.— RETAINER— SPACER— WASHER, Belt Assy. and Strap Unit (Con't)

72-73	Corvette	333534 R.H.	2.46	COVER, seat belt retractor
74	Corvette	339199 L.H.	2.46	COVER, seat belt retractor
74	Corvette	339200 R.H.	2.46	COVER, seat belt retractor
75	Corvette	345452 R.H.	2.46	COVER, seat belt retractor
75	Corvette	345451 L.H.	2.46	COVER, seat belt retractor
70-72	Corvette (Spt. Cpe.), Corvette (Conv.) w/Deluxe Shoulder harness	3976549 L.H.	3.16	ESCUTCHEON, left seat back rear— (11.373)
70-72	Corvette (Spt. Cpe.), Corvette (Conv.) w/Deluxe Shoulder harness	3976550 R.H.	3.16	ESCUTCHEON, right seat back rear— (11.373)
70-72	Corvette (Spt. Cpe.), Corvette (Conv.) w/Deluxe Shoulder harness	3976551 L.H.	3.16	ESCUTCHEON, left seat back front— (11.373)
70-72	Corvette (Spt. Cpe.), Corvette (Conv.) w/Deluxe Shoulder harness	3976552 R.H.	3.16	ESCUTCHEON, right seat back front— (11.373)
70-72	Corvette (Conv.) (exc. Deluxe Shoulder harness)	3976548 2	3.16	ESCUTCHEON, seat back front— (11.373)
69	Corvette w/shoulder harness	3965113 L.H.	2.08	GUIDE, shoulder harness
69	Corvette w/shoulder harness	3965114 R.H.	2.21	GUIDE, shoulder harness
72-74	Corvette	3996874 2	2.21	GUIDE, seat belt
75	Corvette	345455 2	2.03	GUIDE, seat belt
<i>NOTE 2 It may be necessary to add a 9/16 diameter mounting hole.</i>				
65-69	Corvette	3863621 L.H.	2.81	PLATE ASSY., left, inner seat belt mount
65-69	Corvette	3863622 R.H.	2.81	PLATE ASSY., right, inner seat belt mount
70-74	Corvette	3977715 1	4.74	PLATE ASSY., seat belt mounting inner
72-73	Corvette	3996883 L.H.	2.51	PLATE ASSY., left, seat belt anchor
72-73	Corvette	3996884 R.H.	2.51	PLATE ASSY., right, seat belt anchor
74	Corvette	339181 L.H.	2.51	PLATE ASSY., seat belt anchor
74	Corvette	339182 R.H.	2.51	PLATE ASSY., seat belt anchor
75	Corvette	345454 R.H.	2.35	PLATE ASSY., seat belt anchor
75	Corvette	345453 L.H.	2.35	PLATE ASSY., seat belt anchor
75	Corvette	355391 1	11.15	PLATE ASSY., seat belt mounting inner
75	Corvette	345449 2	.17	PLATE, seat belt anchor retractor cover
69-72	Corvette (Conv.)	3930651 2	.33	PLUG, shoulder harness anchor plate reinforcement— (16.714)
68	Corvette	3943691 L.H.		REINFORCEMENT, seat belt guide to underbody
68	Corvette	3943692 R.H.		REINFORCEMENT, seat belt guide to underbody
69	Corvette	3966693 L.H.	3.74	REINFORCEMENT, seat belt guide to under body
68-69	Corvette	3952487 L.H.	.95	REINFORCEMENT ASSY., seat belt
68-69	Corvette	3952488 R.H.	1.01	REINFORCEMENT ASSY., seat belt
70-74	Corvette	3966707 L.H.	.95	REINFORCEMENT ASSY., shldr. harn. anchor plate
70-74	Corvette	3966708 R.H.	.95	REINFORCEMENT ASSY., shldr. harn. anchor plate
75	Corvette	1668380 2	.11	RETAINER, frt. seat shoulder strap frt. clip
72-73	Corvette	3996877 2	.59	SPACER, seat belt retractor
75	Corvette	342222 2	.63	SPACER, seat belt retractor
69-74	Corvette (Conv.)	3954735 2	.12	WASHER, shoulder harness anchor plate reinforcement— (16.714)

14.880 TRIM ASSY., Front Seat Cushion (Driver or Passenger)

69-71	Corvette	3948181 2	81.30	(comb. 402) (black) (leather)
69-72	Corvette	3977813 2	41.10	(black) (vinyl)
69-72	Corvette	3977814 2	48.40	(comb. 407) (red) (vinyl)
69-70	Corvette	3977815 2	48.40	(comb. 411) (br. blue) (vinyl)
70	Corvette	1700414 2	118.00	(med. saddle) (leather)
71-72	Corvette	3994928 2	42.10	seat cushion (dk. saddle) (vinyl) (comb. 417)
71-72	Corvette	3994871 2	47.15	seat cushion (dk. bright blue) (vinyl) (comb. 412)
71	Corvette	3995011 2	83.30	seat cushion (dk. saddle) (leather) (420)
72	Corvette	6263501 2	83.30	(comb. 404) (black) (leather)
72	Corvette	6263503 2	83.30	(comb. 421) (dk. saddle) (leather)
73-75	Corvette	333353 2	42.45	(comb. 400) (black) (vinyl)

FOLDING TOP PARTS—INTERIOR TRIM

14.880 TRIM ASSY., Front Seat Cushion (Driver or Passenger) (Con't)

73-75	Corvette	333354	2	40.20	(comb. 425) (dk. oxblood) (vinyl)
73-75	Corvette	333355	2	36.00	(comb. 413) (med. blue) (vinyl)
73	Corvette	333356	2	36.00	(comb. 418) (saddle) (vinyl)
73-74	Corvette	333357	2	70.80	(comb. 404) (black) (leather)
73	Corvette	333358	2	73.65	(comb. 422) (saddle) (leather)
73-75	Corvette	334715	2	41.40	(comb. 415) (saddle) (vinyl)
73-74	Corvette	334716	2	71.70	(comb. 416) (saddle) (leather)
74-75	Corvette	341656	2	35.65	(silver) (vinyl) (comb. 406)
74-75	Corvette	341657	2	90.30	(silver) (leather) (comb. 407)
74-75	Corvette	341658	2	35.65	(neutral) (vinyl) (comb. 408)
74-75	Corvette	345441	2	91.50	TRIM ASSY. (black leather)
74-75	Corvette	345442	2	87.25	TRIM ASSY. (med. saddle leather)

14.890 PAD ASSY., Front Seat Cushion (rubber)

68-72	Corvette	3913109	2	9.15	seat cush.
73-75	Corvette	333359	2	9.70	seat cush.

14.896 SEAT ASSY, Front

Corvette bucket seats are available from production during the current model year only. Orders for these seats are to be submitted to dealers normal shipping PDC for forwarding to GMPD-Flint, Attn: Engineering -NPN Department. When ordering it is necessary that the following information is included—

1. Year and Model
2. Trim Combination Number
3. Seat RPO Number

14.924 COVER ASSY.— HEAD RESTRAINT ASSY.— PAD, Front Seat Back Head Restraint

NOTE Head Restraint Assemblies listed in this group have a dual post. For single post head restraints use component parts listed in this group. Parts needed for single post, pad w/panel assy., cover for head restraint attaching parts, see group 11.376.

68-69	Corvette	3932815	2	39.30	HEAD RESTRAINT ASSY. (black) (paint to match)
68-69	Corvette	3932818	2	40.30	HEAD RESTRAINT ASSY. (comb. 411, 412, 414, 415) (med. brt. blue)
68-69	Corvette	3932821	2	39.30	HEAD RESTRAINT ASSY. (comb. 411, 412) (dk. brt. blue)
67	Corvette	3899208	2	5.80	PAD

14.928 SHIELD, Seat

See Groups 14.878 and 14.799 for Cushions and Backs.

63-64	Corvette	3832962	2	1.20	seat back cushion
--------------	----------	-------	----------------	---	------	-------------------

GROUP 15.000
REAR SEAT —
MATS — YARDAGE



REAR TRIM—MATS—YARDAGE

15.286 CARPET— CARPET MATERIAL— MAT, Front Floor (Con't)

73	Corvette	333419 L.H.	47.80	(comb. 418) (dk. saddle)
73	Corvette	333420 R.H.	35.75	(comb. 418) (dk. saddle)
73	Corvette	333441 L.H.	50.75	(comb. 422) (dk. saddle)
73	Corvette	333452 R.H.	38.65	(comb. 422) (dk. saddle)
73	Corvette	333593 L.H.	47.80	(comb. 415) (med. saddle)
73-74	Corvette	341824 R.H.	36.80	(comb. 416) (med. saddle) (cut pile)
73-74	Corvette	347835 L.H.	44.65	(comb. 400) (black) (loop pile)
73-74	Corvette	347840 R.H.	35.05	(comb. 400) (black) (loop pile)
73-74	Corvette	341801 L.H.	46.50	(comb. 404) (black) (cut pile)
73-74	Corvette	341802 R.H.	36.80	(comb. 404) (black) (cut pile)
73-74	Corvette	347837 L.H.	44.65	(comb. 425) (oxblood) (loop pile)
73-74	Corvette	347842 R.H.	35.05	(comb. 425) (oxblood) (loop pile)
73-74	Corvette	347841 L.H.	44.65	(comb. 413) (mid. blue) (loop pile)
73-74	Corvette	347844 R.H.	35.05	(comb. 413) (mid. blue) (loop pile)
74	Corvette	347843 L.H.	44.65	(comb. 406) (silver) (loop pile)
74	Corvette	347848 R.H.	35.05	(comb. 406) (silver) (loop pile)
74	Corvette	347845 L.H.	44.65	(comb. 415) (saddle) (loop pile)
73-74	Corvette	347858 R.H.	35.05	(comb. 415) (saddle) (loop pile)
74	Corvette	341818 R.H.	36.80	(comb. 407) (silver) (cut pile)
74	Corvette	341817 L.H.	46.50	(comb. 407) (silver) (cut pile)
73-74	Corvette	341823 L.H.	46.50	(comb. 416) (saddle) (cut pile)
74	Corvette	347847 L.H.	44.65	(comb. 408) (neutral) (loop pile)
74	Corvette	347860 R.H.	35.05	(comb. 408) (neutral) (loop pile)
75	Corvette	347994 R.H.	32.65	(comb. 406) (silver) (loop pile)
75	Corvette	347979 L.H.	44.45	(comb. 406) (silver) (loop pile)
75	Corvette	347992 R.H.	32.65	(comb. 413) (mid. blue) (loop pile)
75	Corvette	347977 L.H.	44.45	(comb. 413) (mid. blue) (loop pile)
75	Corvette	347988 R.H.	32.65	(comb. 408) (neutral) (loop pile)
75	Corvette	347975 L.H.	44.45	(comb. 408) (neutral) (loop pile)
75	Corvette	347984 R.H.	32.65	(comb. 425) (oxblood) (loop pile)
75	Corvette	347973 L.H.	44.45	(comb. 425) (oxblood) (loop pile)
75	Corvette	347980 R.H.	32.65	(comb. 415) (saddle) (loop pile)
75	Corvette	347971 L.H.	44.45	(comb. 415) (saddle) (loop pile)
75	Corvette	347972 R.H.	35.95	(comb. 416) (saddle) (cut pile)
75	Corvette	347967 L.H.	48.10	(comb. 416) (saddle) (cut pile)
75	Corvette	347968 R.H.	35.95	(comb. 407) (silver) (cut pile)
75	Corvette	347965 L.H.	48.10	(comb. 407) (silver) (cut pile)
75	Corvette	347976 R.H.	43.40	(comb. 192) (black) (cut pile)
75	Corvette	347969 L.H.	57.20	(comb. 192) (black) (cut pile)
75	Corvette	347962 R.H.	39.15	(comb. 19V) (black) (loop pile)
75	Corvette	347963 L.H.	53.45	(comb. 19V) (black) (loop pile)
75	Corvette	359650 R.H.		CARPET (732) (oxblood)
75	Corvette	359649 L.H.		CARPET (732) (oxblood)
75	Corvette	359646 R.H.		CARPET (262) (dk. blue)
75	Corvette	359645 L.H.		CARPET (262) (dk. blue)
74-75	Corvette	360005 A.R.	36.35	CARPET MATERIAL (black)
74-75	Corvette	994401	8.20	MAT UNIT (contour)

NOTE: When using above parts on conventional transmission models without suspended pedals, it will be necessary to cut a hole for clutch pedal.

15.294 BINDING, Corvette Luggage Compartment and Wheelhouse Carpet

65-72	Corvette	3862804 A.R.	FT/.11	carpet (1 in.) (comb. 407, 408) (red) (Note 4 & 5)
67	Corvette,			
69	Corvette	3953876 1	FT/.11	carpet (green) (1 in.) (comb. 427, 428, 430) (Note 4 & 5)
68-70	Corvette,			
75	Corvette	3996661 A.R.	FT/.11	(dk. saddle) (comb. 417, 420, 421)
70	Corvette	3986002 A.R.	FT/.11	carpet (med. bright blue) (Note 4 & 5)
70	Corvette	3974316 1	FT/.11	carpet (dk. green)
71-72	Corvette,			
68-72	Corvette	3996662 A.R.	FT/.11	(dk. green) (comb. 423)
73-75	Corvette	6258682 A.R.	FT/.11	carpet (comb. 400, 404) (black)
73-75	Corvette	6258683 A.R.	FT/.11	carpet (comb. 425) (oxblood)
73-75	Corvette	6258684 A.R.	FT/.11	carpet (comb. 413) (midnight blue)
73	Corvette	6258685 A.R.	FT/.11	carpet (comb. 418) (dk. saddle)
73-75	Corvette	9632395 A.R.	FT/.10	carpet (comb. 416) (med. saddle)
74-75	Corvette	6260811 A.R.	FT/.10	carpet (grey)
74-75	Corvette	6260812 A.R.	FT/.10	carpet (neutral)

NOTE 3: Without rubber backing.

NOTE 4: Used on floor carpet, wheelhouse trim cover, pillar to dash trim cover, and jack storage comp. cover.

NOTE 5: Comes in quantity of 250 yds. on a 1 1/2" x 4 1/2" spool.

15.099 COVER ASSY.—EYELET, Wheelhouse Panel

65-67	Corvette (Spt. Cpe.)	3876444 R.H.	8.80	trim, right (black)
65-67	Corvette (Spt. Cpe.)	3887409 L.H.	8.80	trim left wheelhouse (black)
63-64	Corvette (Spt. Cpe.)	4592059 2	.10	EYELET, trim cover— (14.685)

NOTE 1 It may be necessary to trim rear center section as required.

15.100 PANEL ASSY.— BRACKET— EXTENSION— INSERT— PAD— RETAINER, Rear Quarter Trim

NOTE It may be necessary to punch holes in trim assy. to insure proper fit.

68-69	Corvette (Conv.)	3935520 R.H.	39.55	(paint as reqd.)
68-69	Corvette (Conv.)	3935519 L.H.	37.40	(paint as reqd.)
70-73	Corvette (Conv.)	333337 L.H.	39.55	(black) (paint as reqd.)
68-73	Corvette (Conv.)	333338 R.H.	39.55	(black)
69-73	Corvette (Spt. Cpe.)	333333 L.H.	52.70	(paint as reqd.)
69-73	Corvette (Spt. Cpe.)	333334 R.H.	52.70	(paint as reqd.)
74-76	Corvette (Spt. Cpe.)	342245 L.H.	52.70	(paint as reqd.)
74-76	Corvette (Spt. Cpe.)	342246 R.H.	52.70	(paint as reqd.)
74-75	Corvette (Conv.)	339127 L.H.	33.40	
74-75	Corvette (Conv.)	339128 R.H.	33.40	
68-72	Corvette	3930345 L.H.	.64	BRACKET, trim panel lower
68-72	Corvette	3930348 R.H.	.64	BRACKET, trim panel lower
68-74	Corvette (Spt. Cpe.)	3934927 L.H.	.31	BRACKET, rr. qtr. trim
68-74	Corvette (Spt. Cpe.)	3934928 R.H.	.31	BRACKET, rr. qtr. trim
68-73	Corvette (Spt. Cpe.)	3974063 L.H.	1.64	EXTENSION, rear qtr. trim panel
68-73	Corvette (Spt. Cpe.)	3974064 R.H.	1.64	EXTENSION, rear qtr. trim panel
74-76	Corvette (Spt. Cpe.)	339129 L.H.	1.64	EXTENSION, trim panel
74-76	Corvette (Spt. Cpe.)	339130 R.H.	1.64	EXTENSION, trim panel
74-76	Corvette (Spt. Cpe.)	342269 L.H.	.45	INSERT, trim panel extension
74-76	Corvette (Spt. Cpe.)	342270 R.H.	.45	INSERT, trim panel extension
68-75	Corvette (Conv.)	3976309 L.H.	.90	RETAINER, trim panel upper
68-75	Corvette (Conv.)	3976310 R.H.	.90	RETAINER, trim panel upper
68-76	Corvette (Spt. Cpe.)	3930916 L.H.	.90	RETAINER, trim panel upper
68-76	Corvette (Spt. Cpe.)	3930916 R.H.	.90	RETAINER, trim panel upper
68-76	Corvette	3930917 L.H.	1.55	RETAINER, trim panel lower
68-76	Corvette	3930918 R.H.	1.55	RETAINER, trim panel lower
70-75	Corvette (Conv.)	3974006 2	.20	RETAINER, trim panel upper
74-76	Corvette (Spt. Cpe.)	342267 2	.21	RETAINER, trim panel upper

15.103 PANEL, Front Compartment Rear

61-62	Corvette (exc. fldg. top hyd.)	3779068 1	2.27	rear compartment division (black) (Note 1)
-------	--------------------------------	-----------	------	--

NOTE 1 Panel can be painted to obtain desired color.

15.222 MAT, Rear Compartment

TRUNK FLOOR

61-62	Corvette	3782772 1	15.60	black
61-62	Corvette	3783635 1	14.60	red

15.280 MAT ASSY.— COVER— FASTENER— INSULATOR, Dash Panel

68-76	Corvette	333392	6.00	MAT ASSY.
69-72	Corvette	3956189 1	1.13	COVER, panel mat
53-56	Corvette	3692752 A.R.	.06	FASTENER (9/16" head diameter x 1 3/8" long)
69-72	Corvette	3956230 1	2.40	INSULATOR, mat
68-76	Corvette	333565 L.H.	.51	INSULATOR, plenum panel
68-76	Corvette	333566 R.H.	2.18	INSULATOR, plenum panel
76	Corvette	359605 L.H.		INSULATOR, plenum panel

15.286 CARPET— CARPET MATERIAL— MAT, Front Floor

69-72	Corvette	3977843 L.H.	62.00	left (red)
69-72	Corvette	3977730 R.H.	55.60	right (red)
69	Corvette	3958847 L.H.	55.60	left (med. bright blue)
70-72	Corvette	3977845 L.H.	55.35	left (black) (deluxe)
70-72	Corvette	3977732 R.H.	54.80	right (black) (deluxe)
70	Corvette	3977741 L.H.	61.40	left (med. saddle) (deluxe)
70	Corvette	3977742 R.H.	61.40	right (med. saddle) (deluxe)
69-72	Corvette	3977841 L.H.	65.05	left front floor (black) (std.)
69-72	Corvette	3977728 R.H.	62.00	right front floor (black) (std.)
71-72	Corvette	3994819 L.H.	60.80	left (dk. brt. blue) (comb. 412)
71-72	Corvette	3994875 L.H.	60.80	left (dk. saddle) (comb. 417) (vinyl)
71-72	Corvette	3994876 R.H.	60.80	right (dk. saddle) (comb. 417) (vinyl)
71-72	Corvette	3994993 L.H.	60.80	left (dk. saddle) (comb. 420, 421) (deluxe leather)
71-72	Corvette	3994994 R.H.	60.80	right (dk. saddle) (comb. 420, 421) (deluxe leather)