

**GM**

**F85**  
**OLDSMOBILE**  
**PARTS CATALOGUE**

---

# **GROUP 14.000**

# **INDEX**

1- 2 Convertible Top Parts

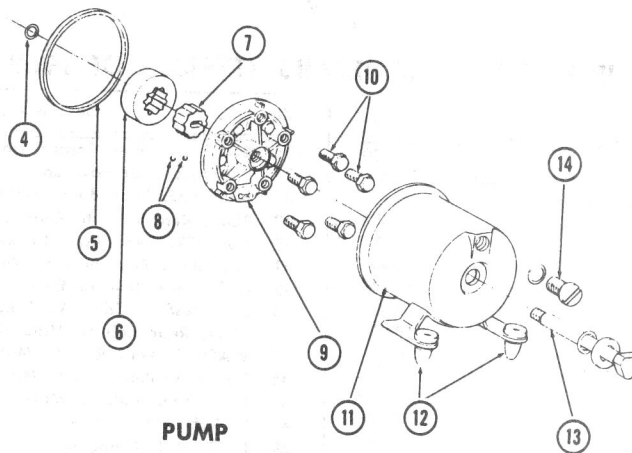
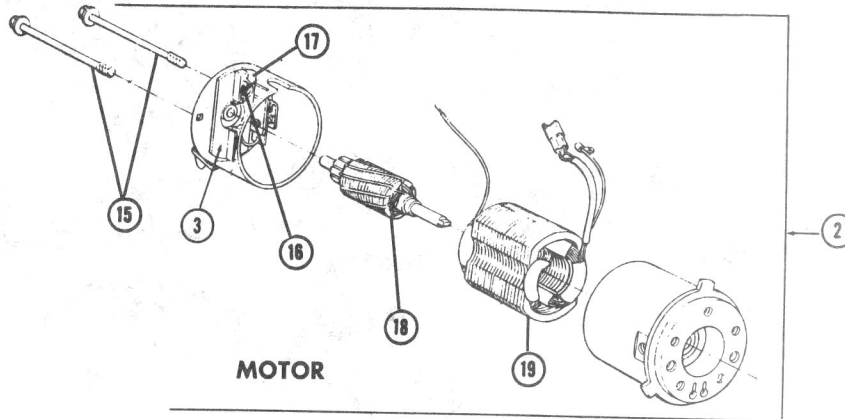
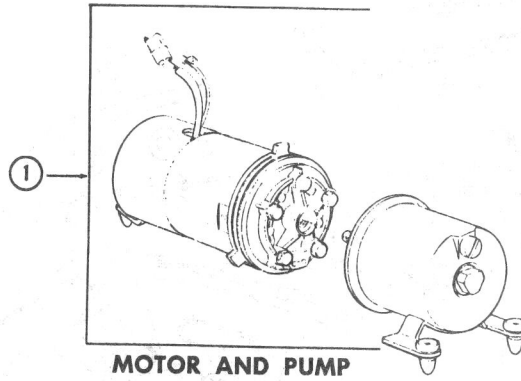
3 Front Seat Centre Arm Rest

4- 5 Seat Belt Buckles

6-53 Interior Trim

54-59 Seats

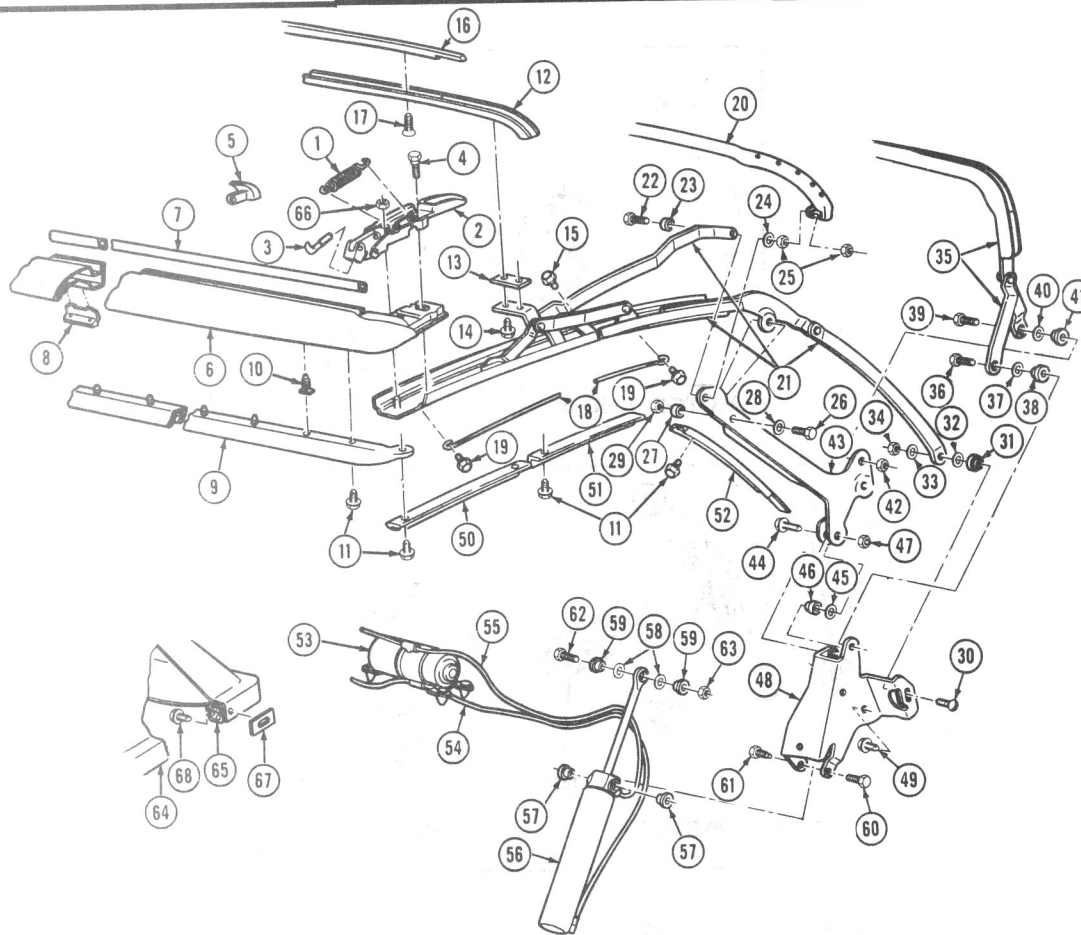




**1964 CONVERTIBLE TOP MOTOR AND PUMP  
 TYPICAL OF 1965-72**

Key	Description	Group
1	Motor and Pump, Convertible Top Hydraulic	14.481
2	Motor, Convertible Top	14.481
3	Holder and Case, Convertible Top Motor	14.482
4	Seal, Convertible Top Motor	14.482
5	Seal, Convertible Top Pump	14.482
6	Rotor, Convertible Top Pump—Outer	14.482
7	Rotor, Convertible Top Pump—Inner	14.482
8	Ball, Convertible Top Hydraulic Pump Control	14.482
9	Plate, Convertible Top Hydraulic Pump Cover	14.482
10	Cover Bolts	N.S.S.

Key	Description	Group
11	Reservoir, Convertible Top Hydraulic Pump	14.486
12	Grommet, Convertible Top Motor and Hydraulic Pump Mounting Bracket	14.482
13	Bolt, Convertible Top Hydraulic Pump Reservoir	14.486
14	Plug, Convertible Top Hydraulic Pump Reservoir Filler	14.486
15	Through Bolts	N.S.S.
16	Spring, Convertible Top Motor Brush	14.482
17	Brush, Convertible Top Motor	14.482
18	Armature, Convertible Top Motor	14.482
19	Field, Convertible Top Motor	14.482

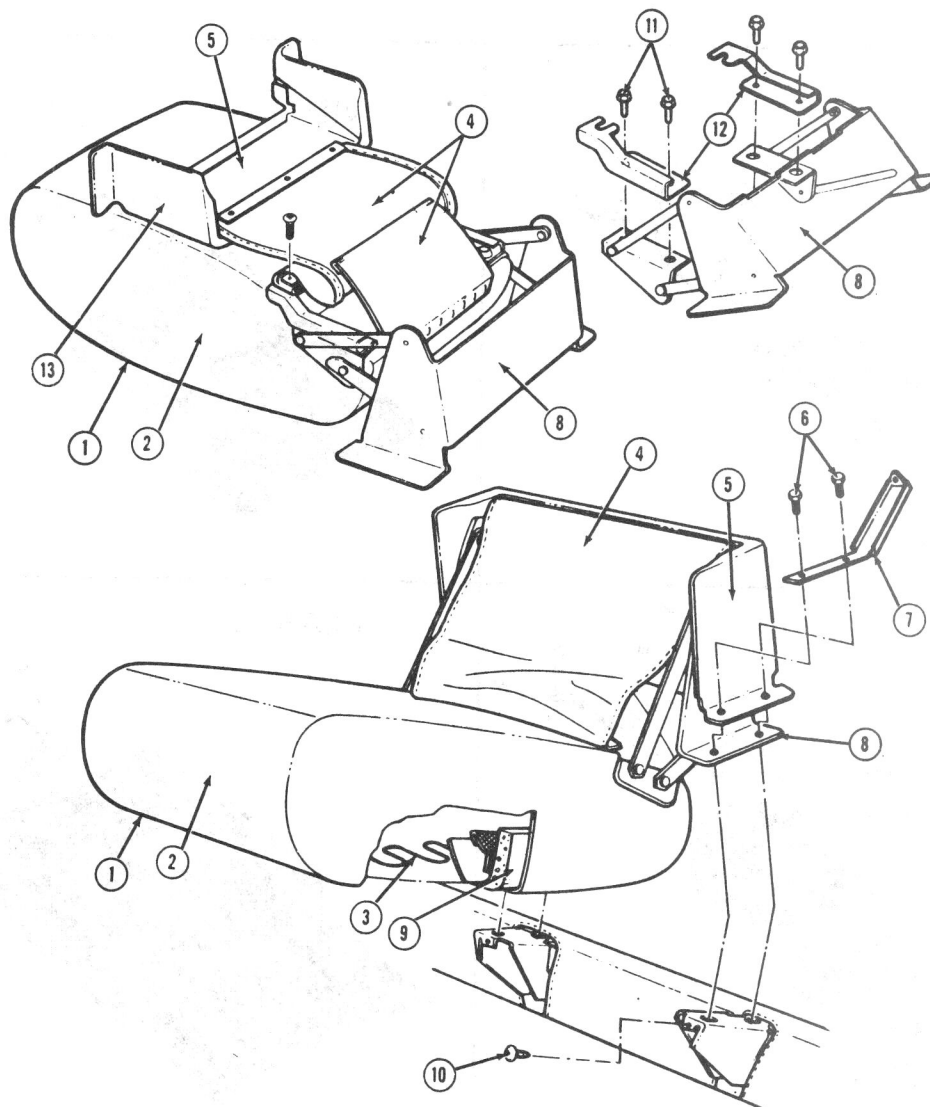


**1968 CONVERTIBLE TOP FRAME DETAILS (TYPICAL OF 1969 THRU 1972)**

Key	Description	Group
1	SPRING, Front Roof Rail Lock	14.080
2	LOCK & HANDLE ASSY., Front Roof Rail (Incl. Items 1-3)	14.080
3	HOOK, Front Roof Rail Lock Handle (Comp. of Item 2)	14.080
4	BOLT, Front Roof Rail Handle & Lock	14.080
5	STRIKER, Lock	14.080
6	RAIL ASSY., Front Roof	14.050
7	LACE, Front Roof Rail Rear	14.650
8	SPACER, Front Roof Rail Center	14.090
9	WEATHERSTRIP ASSY., Front Roof Rail	14.060
10	FASTENER, Front Roof Rail Weatherstrip	14.060
11	SCREW, Roof Rail Weatherstrip to Rail	N.L.
12	BOW ASSY., Front	14.130
13	SPACER, Front Bow	14.130
14	SCREW, Front Bow to Rail	14.155
15	SCREW, Side Roof Front Rail Hinge Set	14.155
16	RETAINER, Front Bow Material	14.130
17	SCREW, Front Bow Material Retainer	N.L.
18	CABLE ASSY. Material Hold Down	14.102
19	SCREW, Material Hold Down Cable	N.L.
20	BOW ASSY., Center	14.215
21	RAIL ASSY., Side Roof Front and Center	14.100
22	BOLT, Control Link to Rear Rail	14.155
23	BUSHING, Control Link to Rear Rail	14.160
24	WASHER, Control Link to Rear Rail	14.162
25	NUT, Control Link to Rear Rail	N.L.
26	BOLT, Center Rail to Rear Rail	14.155
27	BUSHING, Center Rail to Rear Rail	14.160
28	WASHER, Center Rail to Rear Rail	14.162
29	NUT, Center Rail to Rear Rail	N.L.
30	BOLT, Center Rail to Male Hinge	14.155
31	BUSHING, Center Rail to Male Hinge	14.160
32	WASHER, Center Rail to Male Hinge Spring	14.162
33	WASHER, Center Rail to Male Hinge Flat	N.L.
34	NUT, Center Rail to Male Hinge	14.157
35	BOW ASSY., Rear	14.340

Key	Description	Group
36	BOLT, Rear Bow Control Link to Male Hinge	14.155
37	WASHER, Rear Bow Control Link to Male Hinge	N.L.
38	BUSHING, Rear Bow Control Link to Male Hinge	14.160
39	BOLT, Rear Bow to Rear Rail	14.155
40	WASHER, Rear Bow to Rear Rail	N.L.
41	BUSHING, Rear Bow to Rear Rail	14.160
42	NUT, Rear Bow to Rear Rail	14.157
43	RAIL ASSY., Side Roof Rear	14.170
44	BOLT, Rear Rail to Male Hinge	14.155
45	WASHER, Rear Rail to Male Hinge	14.162
46	BUSHING, Rear Rail to Male Hinge	14.160
47	NUT, Rear Rail to Male Hinge	14.157
48	HINGE ASSY., Male	14.310
49	BOLT, Male Hinge to Mounting Support	14.155
50	WEATHERSTRIP ASSY., Side Roof Rail Front	14.120
51	WEATHERSTRIP ASSY., Side Roof Rail Center	14.190
52	WEATHERSTRIP ASSY., Side Roof Rail Rear	14.260
53	MOTOR & PUMP ASSY., Hydraulic (See Motor and Pump Illustration for Components)	14.481
54	HOSE ASSY., Pump to Bottom of Lift	14.472
55	HOSE ASSY., Pump to Top of Lift	14.472
56	LIFT ASSY., Hydraulic	14.475
57	BUSHING, Hydraulic Lift to Male Hinge	14.160
58	WASHER, Hydraulic Lift to Rear Rail	14.162
59	BUSHING, Hydraulic Lift to Rear Rail	14.160
60	BOLT, Lift to Male Hinge	14.155
61	BOLT, Lift to Male Hinge Shoulder	14.155
62	BOLT, Lift to Rear Rail	14.155
63	NUT, Lift to Rear Rail	14.157
64	TRIMSTICK, Quarter Belt Rail Front	12.946
65	TRIMSTICK, Quarter Belt Rail Rear	12.946
66	NUT, Front Rail Lock Handle	N.L.
67	FILLER, Trimstick to Panel	N.L.
68	SCREW, Trimstick	N.L.





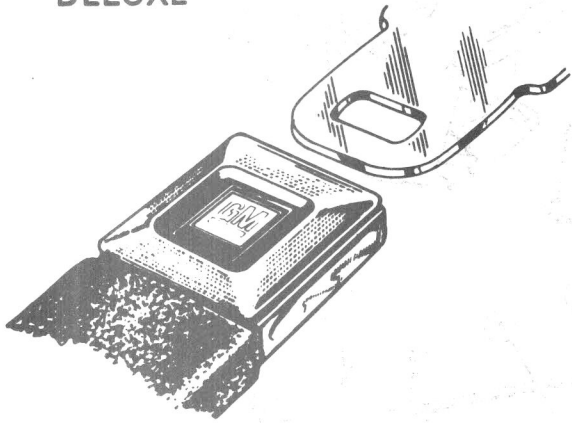
**1966 FRONT SEAT CENTER ARM REST  
(TYPICAL OF 1967 THRU 1973)**

Key	Description	Group
1	ARM REST ASSY., Front Seat Center .....	14.899
2	COVER ASSY., Front Seat Center Arm Rest Trim .....	14.900
3	SPRING & PANEL, Front Seat Center Arm Rest .....	11.374
4	CURTAIN ASSY., Front Seat Center Arm Rest (Rear) ....	14.900
5	PANEL, Front Seat Center Arm Rest Trim .....	11.373
6	SCREW, Front Seat Trim Panel Finishing Cover to Frame ..	N.S...
7	COVER, Front Seat Center Arm Rest Trim Panel Finishing (Conceal Attaching Arm Rest Assy. Bolts) .....	14.900
8	SUPPORT, Front Seat Center Arm Rest (Hinged) .....	11.373

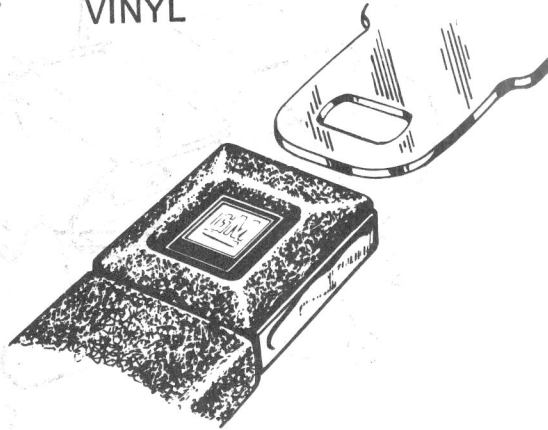
Key	Description	Group
9	PAD, Front Seat Center Arm Rest Rubber .....	14.900
10	FASTENER, Front Seat Center Arm Rest Finishing Cover (Ref. Item 7) .....	14.900
11	SCREW, Front Seat Center Arm Rest Panel Finishing Cover .....	N.S...
12	COVER, Front Seat Center Arm Rest Panel Finishing (Conceal Hinge Arms) .....	14.900
13	COVER, Front Seat Center Arm Rest Trim Panel (Metal Panel Group 11.374) .....	14.900

**1974-75 SEAT BELT BUCKLES**

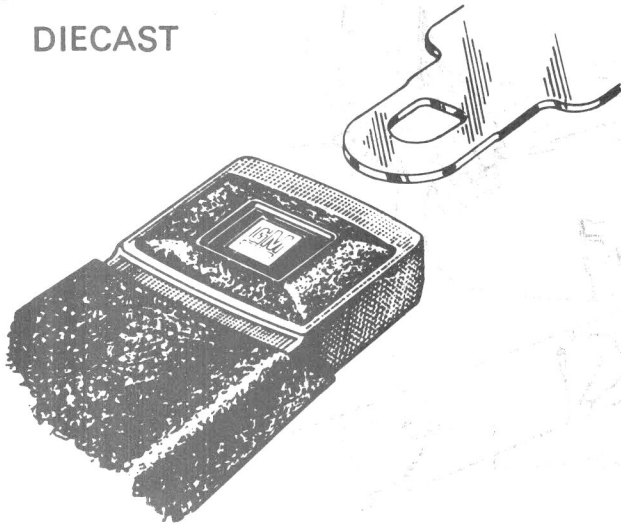
**DELUXE**



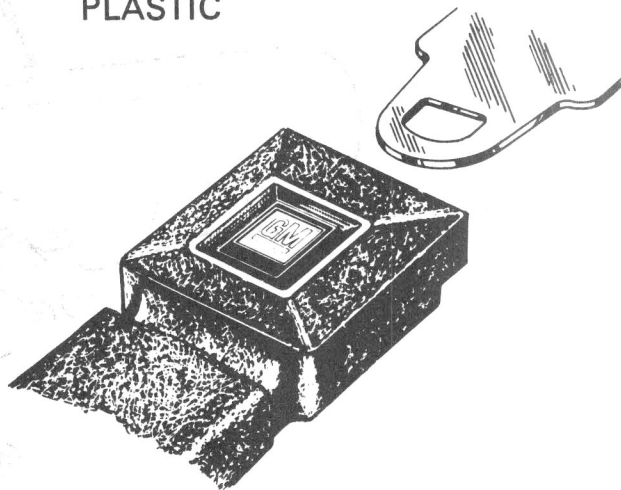
**VINYL**



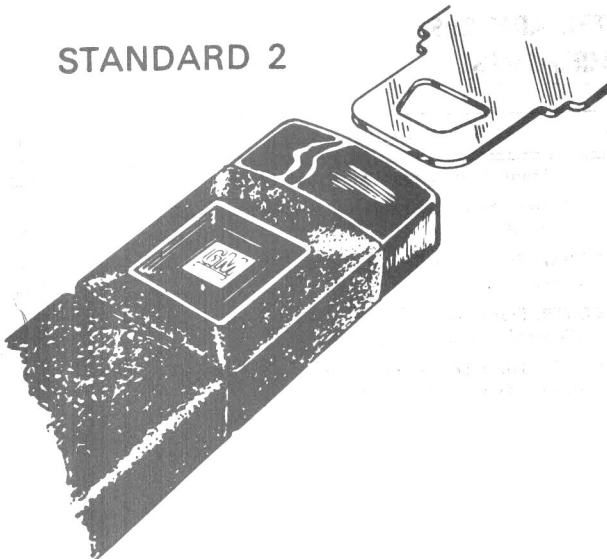
**DIECAST**



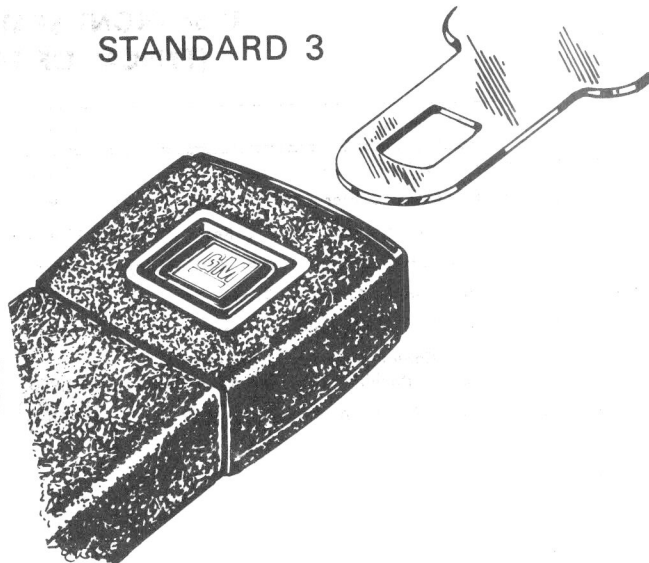
**PLASTIC**



**STANDARD 2**

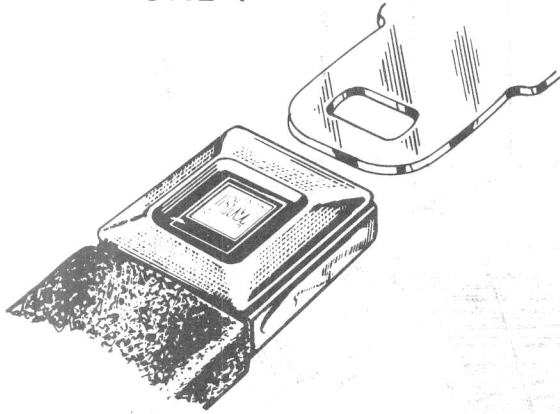


**STANDARD 3**

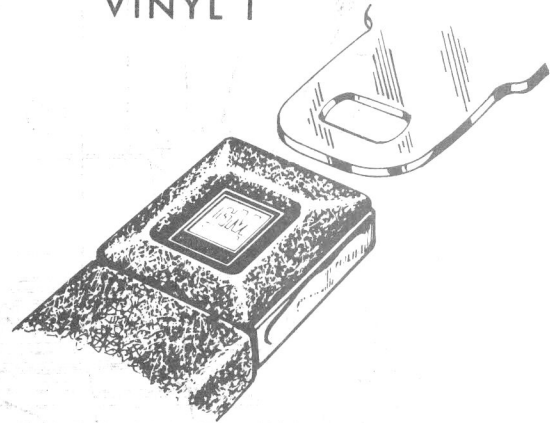


1976 SEAT BELT BUCKLES

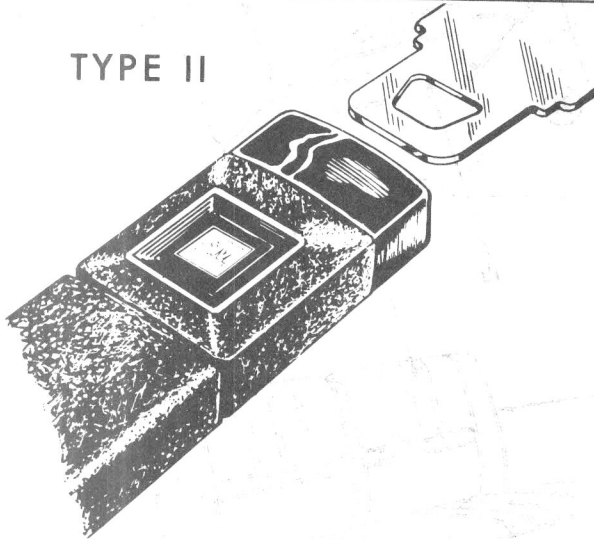
DELUXE I



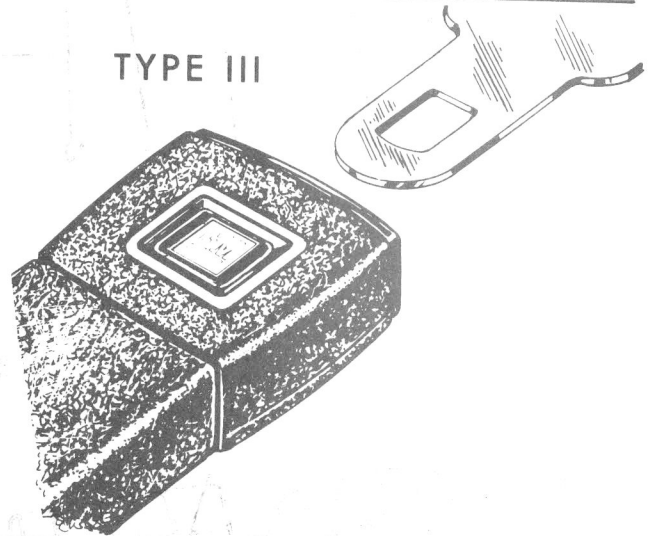
VINYL I



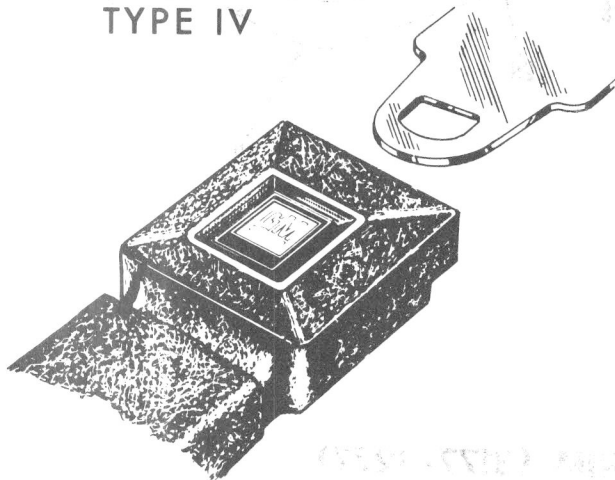
TYPE II



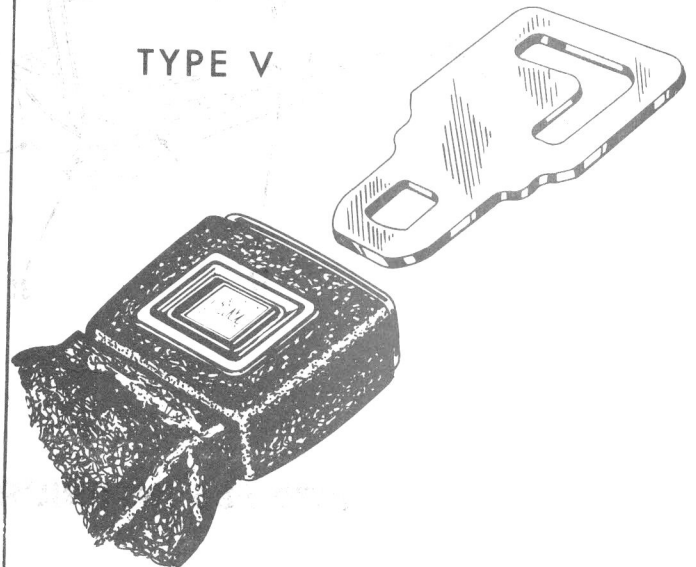
TYPE III

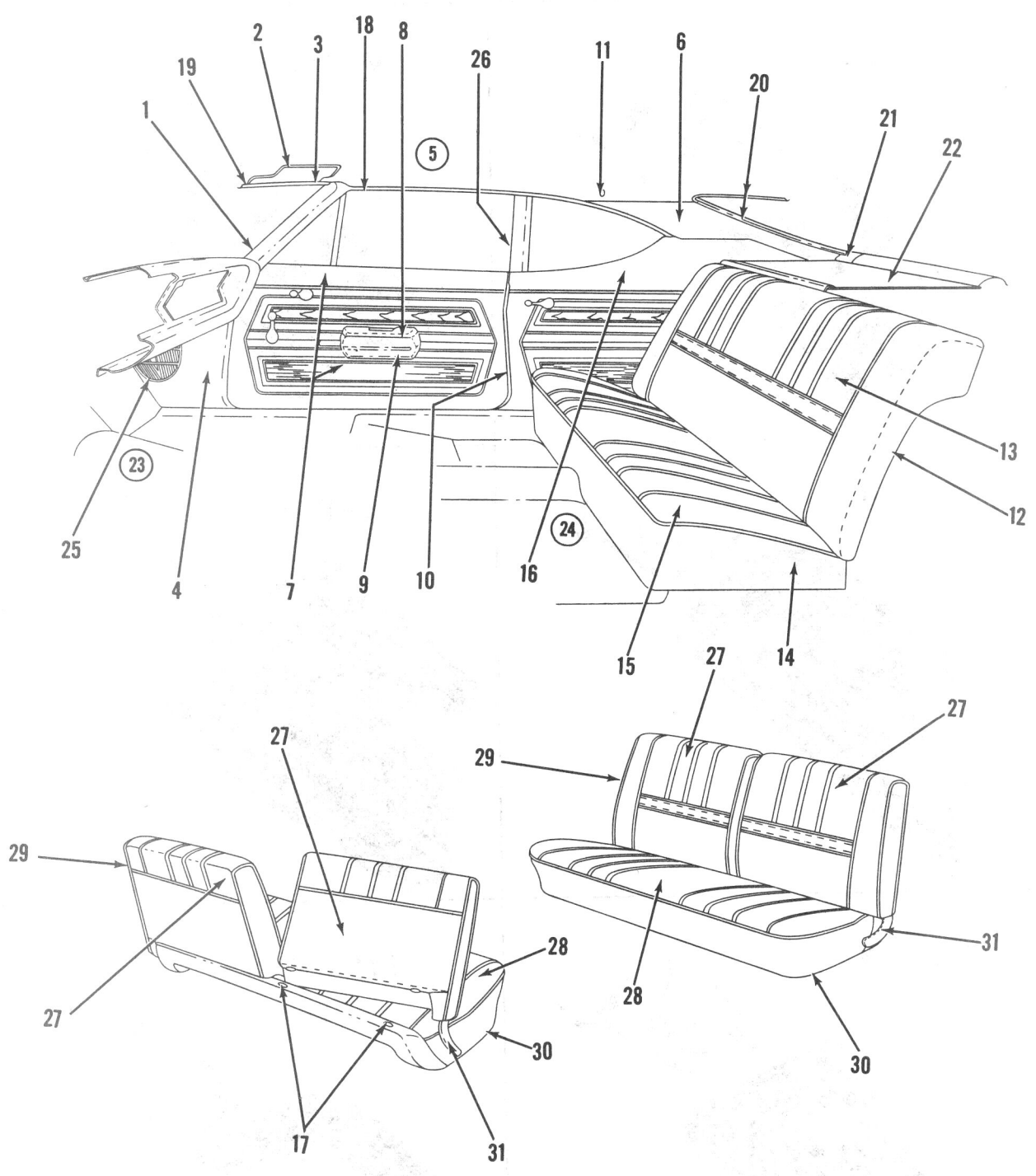


TYPE IV



TYPE V





**1970 F85 INTERIOR TRIM (3177-3277)**

**1970 F-85 INTERIOR TRIM (3177-3277)**

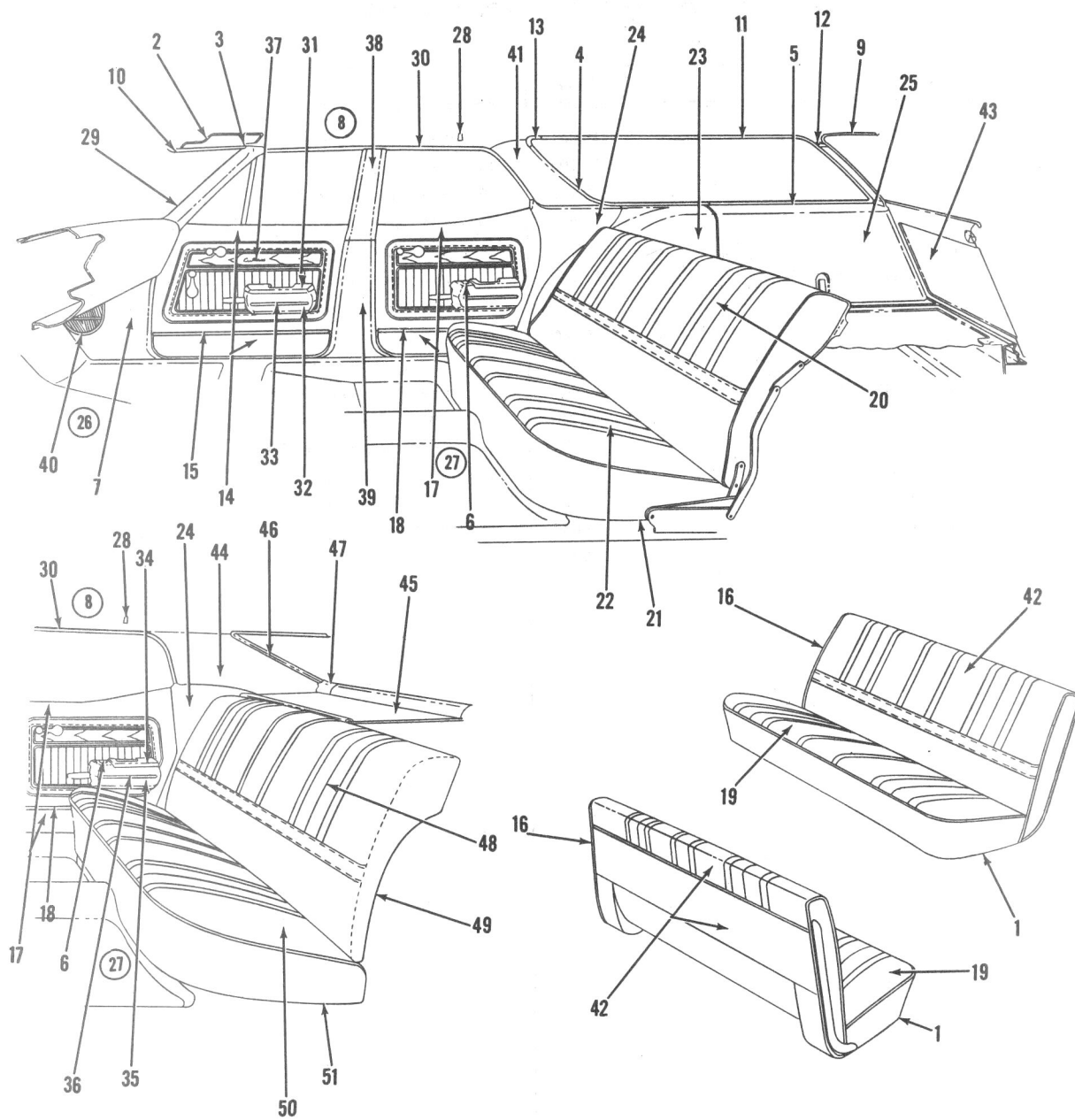
GROUPS SHOWN ARE TYPICAL FOR PAST MODEL APPLICATION

Key	Description	Group
1	MOULDING, Windshield Side Garnish .....	10.051
2	SUNSHADE, Trimmed .....	10.203
3	SUPPORT, Sunshade .....	10.219
4	PANEL, Shroud Plastic .....	14.630
5	HEADLINING, Less Listing Wires .....	14.640
6	TRIM, Rear Quarter Upper Above Belt .....	14.645
7	TRIM, Front Door .....	14.685
8	COVER, Front Door Arm Rest .....	14.686
9	BASE, Front Door Arm Rest .....	14.686
10	WINDLACE, Body Lock Pillar .....	14.735
11	HOOK, Coat .....	15.388
12	BACK, Rear Seat .....	14.998
13	COVER, Rear Seat Back .....	15.000
14	CUSHION, Rear Seat .....	15.033
15	COVER, Rear Seat Cushion .....	15.035
16	TRIM, Rear Quarter .....	15.100

Key	Description	Group
17	BUMPER, Front Seat Back Frame .....	11.381
18	LACE, Side Roof Rail Trim Finish .....	14.650
19	LACE, Windshield Upper Trim Finish .....	14.650
20	LACE, Back Window Upper and Side Trim Finish .....	14.650
21	ESCUTCHEON, Back Window Lower Corner Finish Lace ..	14.650
22	TRIM, Rear Seat to Back Window Panel .....	15.024
23	MAT, Front Floor .....	15.286
24	MAT, Rear Floor .....	15.306
25	GRILLE, Shroud Panel .....	9.789
26	MOULDING, Quarter Window Garnish Front .....	11.119
27	COVER, Front Seat Back .....	14.800
28	COVER, Front Seat Cushion .....	14.880
29	BACK, Front Seat .....	14.799
30	CUSHION, Front Seat .....	14.878
31	COVER, Front Seat Back Outer Hinge Arm .....	11.375

**GM**

**F85**  
**OLDSMOBILE**  
**PARTS CATALOGUE**



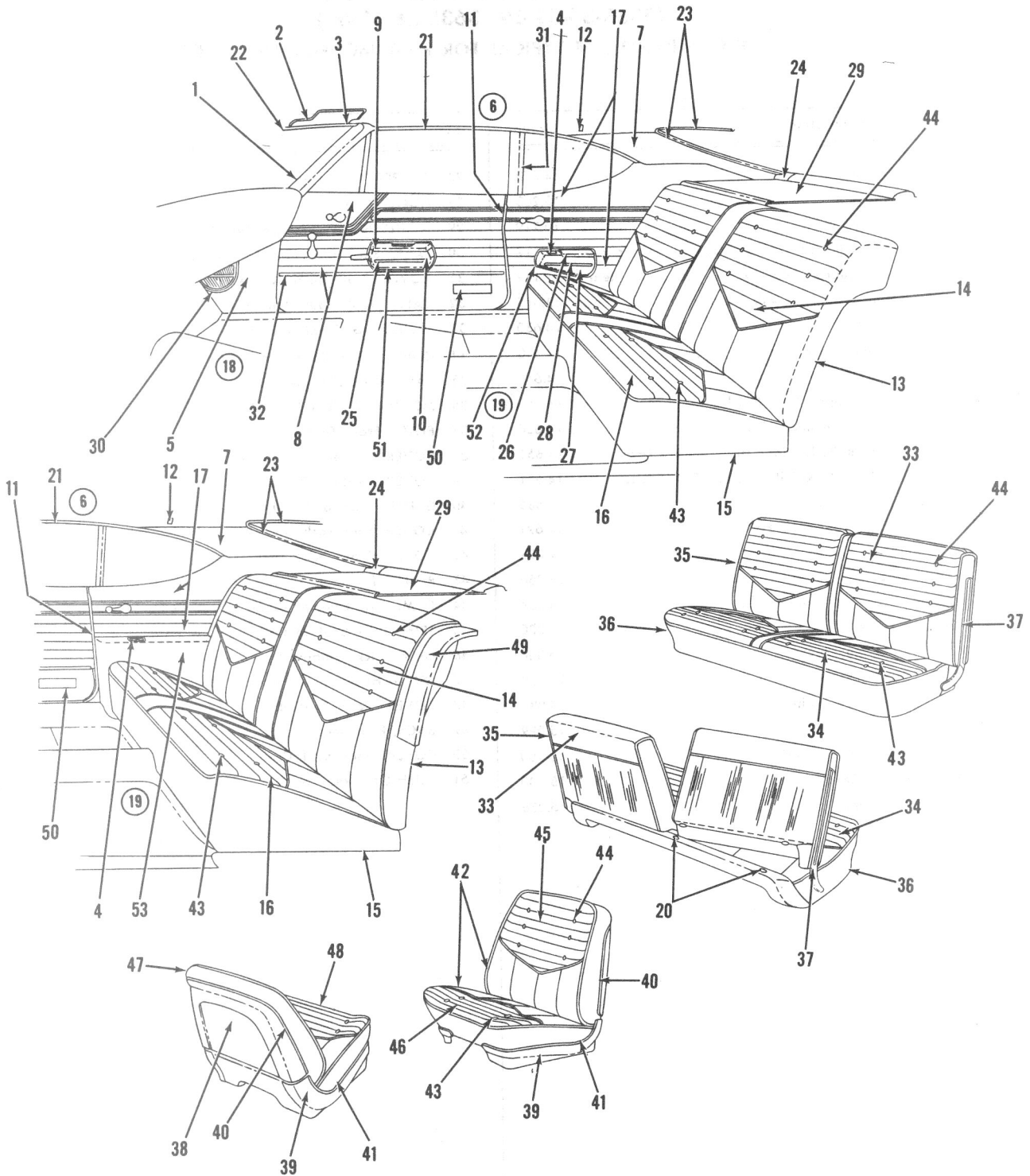
**1970 CUTLASS INTERIOR TRIM**  
**(3535-36-39-69, 3635-36-39-69)**

**1970 CUTLASS INTERIOR TRIM**  
**(3535-36-39-69, 3635-36-39-69)**

GROUPS SHOWN ARE TYPICAL FOR PAST MODEL APPLICATION

Key	Description	Group
1	CUSHION, Front Seat .....	14.878
2	SUNSHADE, Trimmed .....	10.203
3	SUPPORT, Sunshade .....	10.219
4	MOULDING, Rear Quarter Window Garnish Lower Front .....	11.119
5	MOULDING, Rear Quarter Window Garnish Lower Rear .....	11.119
6	TRAY, Rear Door Arm Rest Ash .....	12.045
7	PANEL, Shroud Plastic .....	14.630
8	HEADLINING, Less Listing Wires .....	14.640
9	LACE, Tail Gate Opening Finish .....	14.650
10	LACE, Windshield Upper Trim Finish .....	14.650
11	LACE, Rear Quarter Window Finishing .....	14.650
12	ESCUTCHEON, Back Body Pillar Upper Finish Lace .....	14.651
13	ESCUTCHEON, Body Lock Pillar Upper Finish Lace .....	14.651
14	TRIM, Front Door .....	14.685
15	MOULDING, Front Door Trim Pad .....	14.691
16	BACK, Front Seat .....	14.799
17	TRIM, Rear Door .....	14.760
18	MOULDING, Rear Door Trim Pad .....	14.764
19	COVER, Front Seat Cushion .....	14.880
20	COVER, Second Seat Back .....	15.000
21	CUSHION, Second Seat .....	15.033
22	COVER, Second Seat Cushion .....	15.035
23	TRIM, Wheelhouse Cover Panel .....	15.099
24	PANEL, Quarter Inner Finish .....	15.100
25	TRIM, Spare Tire Cover Panel .....	15.100
26	CARPET, Front Floor .....	15.286

Key	Description	Group
27	CARPET, Rear Floor .....	15.306
28	HOOK, Coat .....	15.388
29	MOULDING, Windshield Side Garnish .....	10.051
30	LACE, Side Roof Rail Trim Finish .....	14.650
31	COVER, Front Door Arm Rest .....	14.686
32	BASE, Front Door Arm Rest .....	14.686
33	MOULDING, Front Door Arm Rest .....	14.688
34	COVER, Rear Door Arm Rest .....	14.762
35	BASE, Rear Door Arm Rest .....	14.762
36	MOULDING, Rear Door Arm Rest .....	14.688
37	PLATE, Front Door Trim Pad Name Cutlass .....	14.691
38	COVER, Center Pillar Upper .....	14.730
39	COVER, Center Pillar Lower .....	14.730
40	GRILLE, Shroud Panel .....	9.789
41	COVER, Body Lock Pillar Above Belt .....	14.645
42	COVER, Front Seat Back .....	14.800
43	PANEL, Tail Gate Inner Cover .....	12.195
44	TRIM, Rear Quarter Upper Above Belt .....	14.645
45	TRIM, Rear Seat to Back Window Panel .....	15.024
46	LACE, Back Window Upper and Side Trim Finish .....	14.650
47	ESCUTCHEON, Back Window Lower Corner Finish Lace .....	14.650
48	COVER, Rear Seat Back .....	15.000
49	BACK, Rear Seat .....	14.998
50	COVER, Rear Seat Cushion .....	15.035
51	CUSHION, Rear Seat .....	15.033



**1970 CUTLASS & 442 INTERIOR TRIM**  
**(3577-87, 3677-87, 4477-87)**

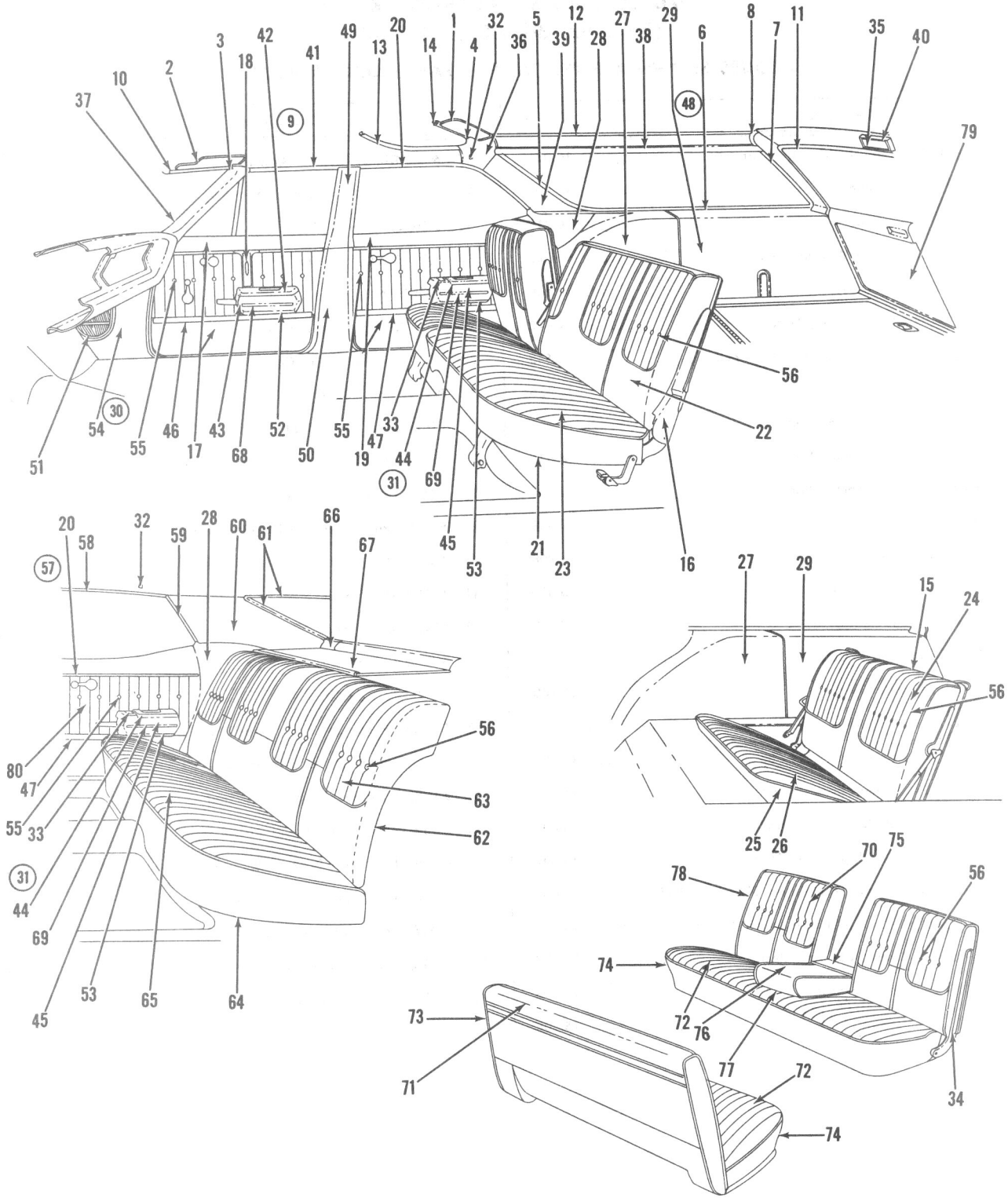


**1970 CUTLASS & 442 INTERIOR TRIM**  
**(3577-87, 3677-87, 4477-87)**

GROUPS SHOWN ARE TYPICAL FOR PAST MODEL APPLICATION

Key	Description	Group
1	MOULDING, Windshield Side Garnish .....	10.051
2	SUNSHADE, Trimmed .....	10.203
3	SUPPORT, Sunshade .....	10.219
4	TRAY, Rear Quarter Arm Rest Ash .....	12.045
5	PANEL, Shroud Plastic .....	14.630
6	HEADLINING, Less Listing Wires .....	14.640
7	TRIM, Rear Quarter Upper Above Belt .....	14.645
8	TRIM, Front Door .....	14.685
9	COVER, Front Door Arm Rest .....	14.686
10	BASE, Front Door Arm Rest .....	14.686
11	WINDLACE, Body Lock Pillar .....	14.735
12	HOOK, Coat .....	15.388
13	BACK, Rear Seat .....	14.998
14	COVER, Rear Seat Back .....	15.000
15	CUSHION, Rear Seat .....	15.033
16	COVER, Rear Seat Cushion .....	15.035
17	PAD, Rear Quarter Trim .....	15.100
18	CARPET, Front Floor .....	15.286
19	CARPET, Rear Floor .....	15.306
20	BUMPER, Front Seat Back Frame .....	11.381
21	LACE, Side Roof Rail Trim Finish .....	14.650
22	LACE, Windshield Upper Trim Finish .....	14.650
23	LACE, Back Window Upper and Side Trim Finish .....	14.650
24	ESCUTCHEON, Back Window Lower Corner Finish Lace ..	14.650
25	MOULDING, Front Door Arm Rest .....	14.688
26	COVER, Quarter Arm Rest .....	15.108
27	BASE, Quarter Arm Rest .....	15.108

Key	Description	Group
28	MOULDING, Quarter Arm Rest .....	15.101
29	TRIM, Rear Seat to Back Window Panel .....	15.024
30	GRILLE, Shroud Panel .....	9.789
31	MOULDING, Quarter Window Garnish Front .....	11.119
32	MOULDING, front Door Trim Pad .....	14.691
33	COVER, Front Seat Back .....	14.800
34	COVER, Front Seat Cushion .....	14.880
35	BACK, Front Seat .....	14.799
36	CUSHION, Front Seat .....	14.878
37	MOULDING, Front Seat Back Side Outer .....	14.818
38	PANEL, Passenger and Driver Seat Back .....	11.358
39	PANEL, Passenger and Driver Seat Inner and Outer .....	11.377
40	MOULDING, Seat Back Panel Finish .....	14.818
41	MOULDING, Seat Side Panel Finish .....	14.818
42	SEAT, Driver and Passenger Complete .....	N.S.
43	BUTTON, Seat Cushion .....	14.804
44	BUTTON, Seat Back .....	14.804
45	COVER, Passenger and Driver Seat Back .....	14.800
46	COVER, Passenger and Driver Seat Cushion .....	14.880
47	BACK, Passenger and Driver Seat .....	14.799
48	CUSHION, Passenger and Driver Seat .....	14.878
49	FILLER, Rear Seat Back to Quarter Panel .....	11.629
50	REFLECTOR, Front Door Trim Pad .....	14.688
51	PLATE, Front Door Arm Rest Finish .....	14.688
52	PLATE, Quarter Arm Rest Finish .....	15.101
53	REST, Quarter Arm Complete .....	15.108



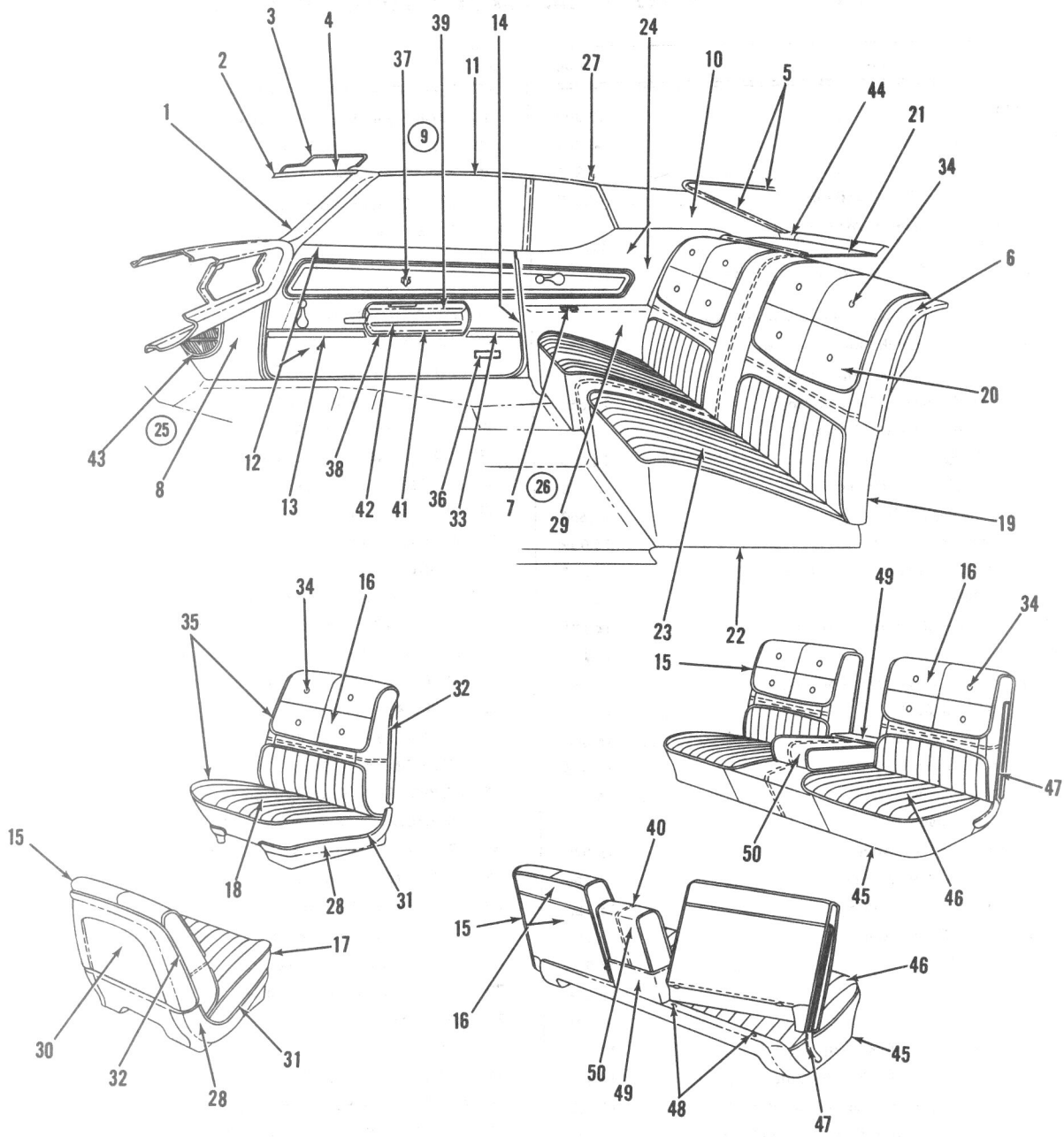
**1970 CUTLASS SUPREME & VISTA CRUISER**  
**INTERIOR TRIM (4239, 4855- 56-65-66)**

## 1970 CUTLASS SUPREME & VISTA CRUISER INTERIOR TRIM (4239, 4855-56-65-66)

GROUPS SHOWN ARE TYPICAL FOR PAST MODEL APPLICATION

Key	Description	Group
1	SUNSHADE, Front Skylight .....	10.203
2	SUNSHADE, Trimmed .....	10.203
3	SUPPORT, Windshield Sunshade .....	10.219
4	SUPPORT, Front Skylight Sunshade .....	10.219
5	MOULDING, Rear Quarter Window Garnish Lower Front .....	11.119
6	MOULDING, Rear Quarter Window Garnish Lower Rear .....	11.119
7	MOULDING, Rear Quarter Window Garnish Rear .....	11.119
8	MOULDING, Side Skylight Rear Garnish .....	11.130
9	HEADLINING, Less Listing Wires Front .....	14.640
10	LACE, Windshield Upper Trim Finish .....	14.650
11	LACE, Tail Gate Opening Finish .....	14.650
12	LACE, Side Skylight Finish Upper .....	14.650
13	LACE, Front Skylight Finish Front .....	14.650
14	LACE, Front Skylight Finish Rear .....	14.650
15	BACK, Folding Third Seat .....	15.059
16	COVER, Folding Second Seat Outer Link .....	11.620
17	TRIM, Front Door .....	14.685
18	MOULDING, Front Door Trim Pad Upper .....	14.691
19	TRIM, Rear Door .....	14.760
20	MOULDING, Rear Door Trim Pad Upper .....	14.764
21	CUSHION, Second Seat .....	15.033
22	COVER, Second Seat Back .....	15.000
23	COVER, Second Seat Cushion .....	15.035
24	COVER, Third Seat Back .....	15.060
25	CUSHION, Third Seat .....	15.069
26	COVER, Third Seat Cushion .....	15.070
27	TRIM, Wheelhouse Cover Panel .....	15.099
28	PANEL, Quarter Inner Finishing .....	15.100
29	TRIM, Spare Tire Cover Panel .....	15.100
30	CARPET, Front Floor .....	15.286
31	CARPET, Rear Floor .....	15.306
32	HOOK, Coat .....	15.388
33	TRAY, Rear Door Arm Rest Ash .....	12.045
34	MOULDING, Front Seat Back Side Outer .....	14.818
35	LENS, Back Body Opening Header Courtesy Lamp .....	11.928
36	MOULDING, Front Skylight Side Rear Finishing .....	11.130
37	MOULDING, Windshield Side Garnish .....	10.051
38	MOULDING, Rear Quarter Window Upper Garnish .....	11.119
39	COVER, Body Lock Pillar above belt .....	10.721
40	REFLECTOR, Back Body Opening Header Courtesy Lamp .....	11.927

Key	Description	Group
41	LACE, Side Roof Rail Trim Finishing .....	14.650
42	COVER, Front Door Arm Rest .....	14.686
43	BASE, Front Door Arm Rest .....	14.686
44	COVER, Rear Door Arm Rest .....	14.762
45	BASE, Rear Door Arm Rest .....	14.762
46	MOULDING, Front Door Trim Pad Lower .....	14.691
47	MOULDING, Rear Door Trim Pad Lower .....	14.764
48	HEADLINING, Less Listing Wires Rear .....	14.630
49	COVER, Center Pillar Upper .....	14.730
50	COVER, Center Pillar Lower .....	14.730
51	GRILLE, Shroud Panel .....	9.789
52	PLATE, Front Door Arm Rest Finish .....	14.688
53	PLATE, Rear Door Arm Rest Finish .....	14.764
54	PANEL, Shroud Plastic .....	14.630
55	BUTTON, Door Trim Pad .....	14.804
56	BUTTON, Seat Back .....	14.804
57	HEADLINING, Less Listing Wires .....	14.640
58	MOULDING, Side Roof Rail Front .....	14.651
59	MOULDING, Side Roof Rail Rear .....	14.651
60	TRIM, Rear Quarter Upper Above Belt .....	14.645
61	LACE, Back Window Upper & Side Trim Finish .....	14.650
62	BACK, Rear Seat .....	14.998
63	COVER, Rear Seat Back .....	15.000
64	CUSHION, Rear Seat .....	15.033
65	COVER, Rear Seat Cushion .....	15.035
66	ESCUTCHEON, Back Window Lower Corner Finish Lace .....	14.650
67	TRIM, Rear Seat to Back Window Panel .....	15.024
68	MOULDING, Front Door Arm Rest .....	14.688
69	MOULDING, Rear Door Arm Rest .....	14.688
70	COVER, Passenger & Driver Seat Back .....	14.800
71	COVER, Front Seat Back .....	14.800
72	COVER, Front Seat Cushion .....	14.880
73	BACK, Front Seat .....	14.799
74	CUSHION, Front Seat .....	14.878
75	COVER, Front Seat Center Arm Rest Trim Panel Finish .....	14.900
76	COVER, Front Back Center Arm Rest .....	14.900
77	REST, Front Seat Center Arm (See Illustration For Details) .....	14.899
78	BACK, Passenger & Driver Seat .....	14.799
79	PANEL, Tail Gate Inner Cover .....	12.195
80	TRIM, Rear Door Less Mouldings .....	14.760



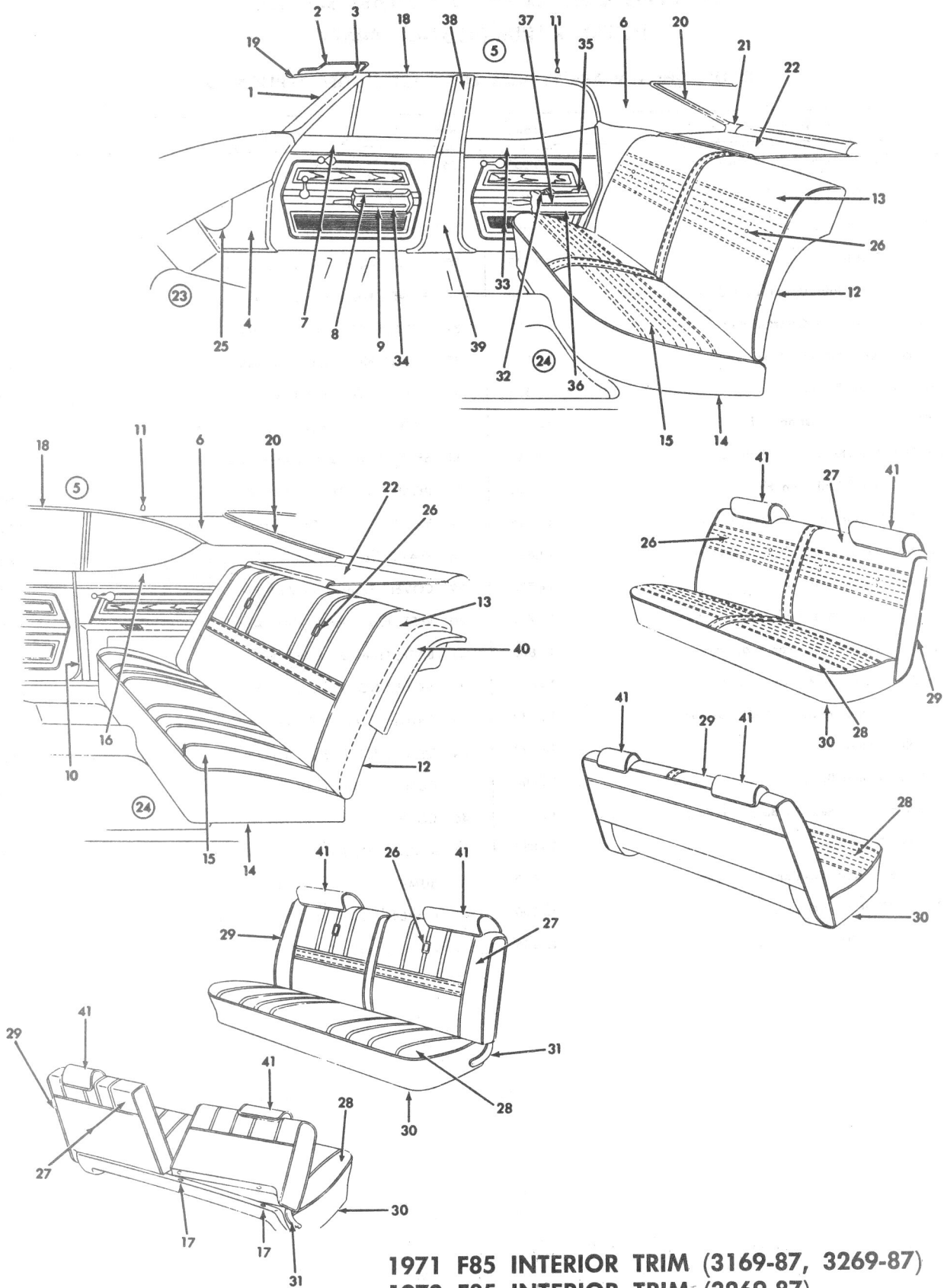
**1970 F85 CONVERTIBLE & CUTLASS SUPREME  
INTERIOR TRIM (4257-67,4467)**

**1970 F-85 CONVERTIBLE & CUTLASS SUPREME**  
**INTERIOR TRIM (4257-67, 4467)**

GROUPS SHOWN ARE TYPICAL FOR PAST MODEL APPLICATION

Key	Description	Group
1	MOULDING, Windshield Side Garnish .....	10.051
2	LACE, Windshield Upper Trim Finish .....	14.650
3	SUNSHADE, Trimmed .....	10.203
4	SUPPORT, Sunshade .....	10.219
5	LACE, Back Window Upper and Side Trim Finish .....	14.650
6	FILLER, Seat Back to Quarter Panel .....	11.629
7	TRAY, Rear Quarter Arm Rest Ash .....	12.045
8	PANEL, Shroud Plastic .....	14.630
9	HEADLINING, Less Listing Wires .....	14.640
10	TRIM, Rear Quarter Upper Above Belt .....	14.645
11	LACE, Side Roof Rail Trim Finish .....	14.650
12	TRIM, Front Door Less Mouldings .....	14.685
13	MOULDING, Front Door Trim Pad Front .....	14.691
14	WINDLACE, Body Lock Pillar .....	14.735
15	BACK, Passenger & Driver Seat .....	14.799
16	COVER, Passenger & Driver Seat Back .....	14.800
17	CUSHION, Passenger & Driver Seat .....	14.878
18	COVER, Passenger & Driver Seat Cushion .....	14.880
19	BACK, Rear Seat .....	14.998
20	COVER, Rear Seat Back .....	15.000
21	TRIM ASSY., Rear Seat to Back Window .....	15.024
22	CUSHION, Rear Seat .....	15.033
23	COVER, Rear Seat Cushion .....	15.035
24	PAD, Rear Quarter Trim .....	15.100
25	CARPET, Front Floor .....	15.286

Key	Description	Group
26	CARPET, Rear Floor .....	15.306
27	HOOK, Coat .....	15.388
28	PANEL, Passenger & Driver Seat Inner & Outer .....	11.377
29	REST, Quarter Arm Complete .....	15.108
30	PANEL, Passenger & Driver Seat Back .....	11.358
31	MOULDING, Seat Side Panel Finish .....	14.818
32	MOULDING, Seat Back Panel Finish .....	14.818
33	MOULDING, Front Door Trim Pad Rear .....	14.691
34	BUTTON, Seat Back .....	14.804
35	SEAT, Driver & Passenger Complete .....	N.S
36	REFLECTOR, Front Door Trim Pad .....	14.688
37	EMBLEM, Front Door Trim Pad .....	14.691
38	PLATE, Front Door Arm Rest Finish .....	14.688
39	COVER, Front Door Arm Rest .....	14.686
40	REST, Front Seat Center Arm See Illustration for Details) .....	14.899
41	BASE, Front Door Arm Rest .....	14.686
42	MOULDING, Front Door Arm Rest .....	14.688
43	GRILLE, Shroud Panel .....	9.789
44	ESCUTCHEON, Back Window Lower Corner Finish Lace .....	14.650
45	CUSHION, Front Seat .....	14.878
46	COVER, Front Seat Cushion .....	14.880
47	MOULDING, Front Seat Back Side Outer .....	14.818
48	BUMPER, Front Seat Back Frame .....	11.381
49	COVER, Front Seat Center Arm Rest Trim Panel Finish .....	14.900
50	COVER, Front Seat Center Arm .....	14.900

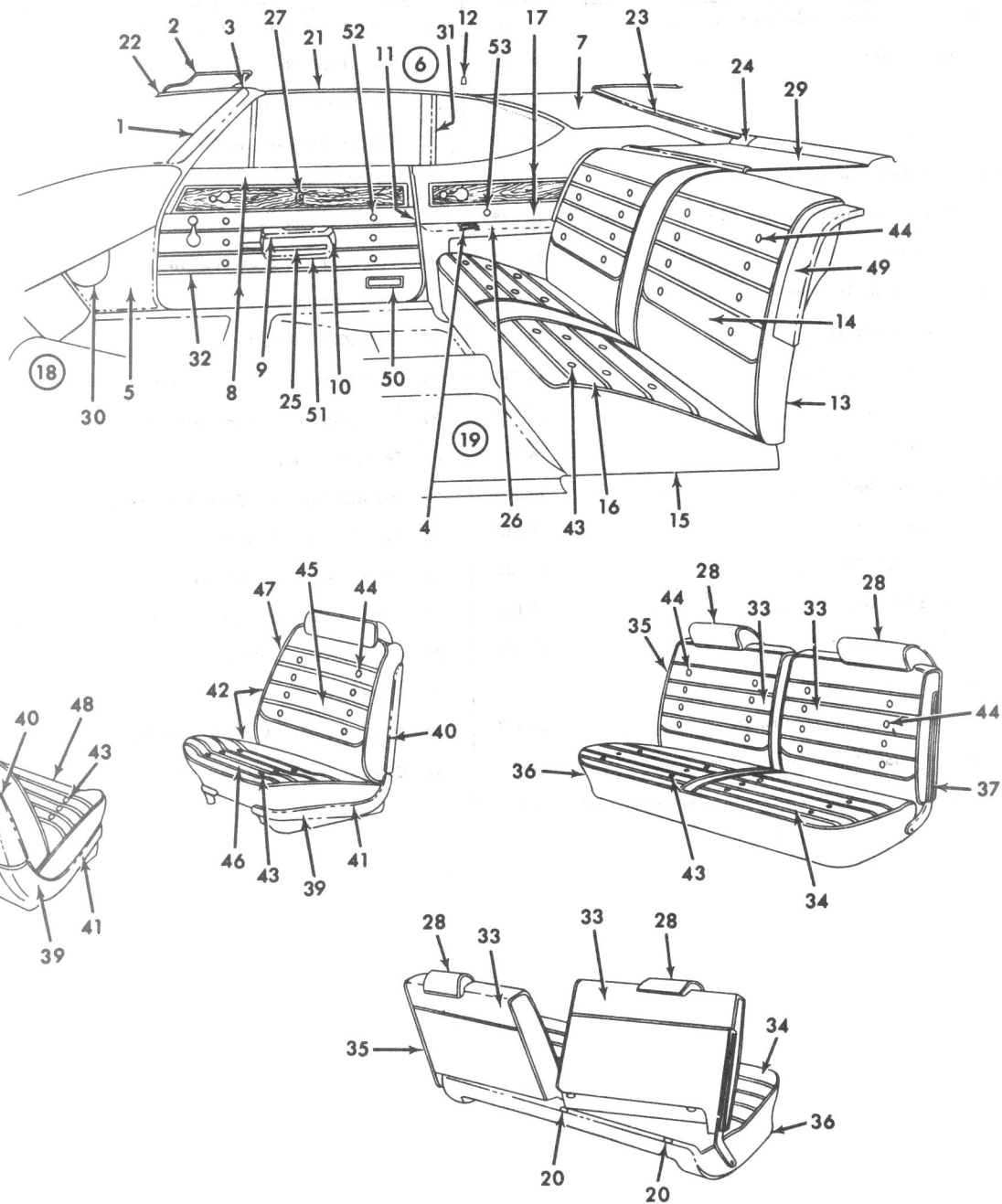




**1971 F-85 INTERIOR TRIM (3169-87, 3269-87)**  
**1972 F-85 INTERIOR TRIM (3269-87)**

Key	Description	Group
1	MOULDING, Windshield Side Garnish .....	10.051
2	SUNSHADE, Trimmed .....	10.203
3	SUPPORT, Sunshade .....	10.219
4	PANEL, Shroud .....	14.630
5	HEADLINING, Less Listing Wires .....	14.640
6	TRIM, Rear Quarter Upper Above Belt .....	14.645
7	TRIM, Front Door .....	14.685
8	COVER, Front Door Arm Rest .....	14.686
9	BASE, Front Door Arm Rest .....	14.686
10	WINDLACE, Body Lock Pillar .....	14.735
11	HOOK, Coat .....	15.388
12	BACK, Rear Seat .....	14.998
13	COVER, Rear Seat Back .....	15.000
14	CUSHION, Rear Seat .....	15.033
15	COVER, Rear Seat Cushion .....	15.035
16	PAD, Rear Quarter Trim .....	15.100
17	BUMPER, Front Seat Back Frame .....	11.381
18	LACE, Side Roof Rail Trim Finish .....	14.650
19	LACE, Windshield Upper Trim Finish .....	14.650
20	LACE, Back Window Upper & Side Trim Finish .....	14.650
21	ESCUTCHEON, Back Window Lower Corner Finish Lace ..	14.650

Key	Description	Group
22	TRIM, Rear Seat to Back Window Panel .....	15.024
23	MAT, Front Floor .....	15.286
24	MAT, Rear Floor .....	15.306
25	GRILLE, Shroud Panel .....	9.789
26	BUTTON, Seat Back .....	14.804
27	COVER, Front Seat Back .....	14.800
28	COVER, Front Seat Cushion .....	14.880
29	BACK, Front Seat .....	14.799
30	CUSHION, Front Seat .....	14.878
31	COVER, Front Seat Back Outer Hinge Arm .....	11.375
32	TRAY, Rear Door Arm Rest Ash .....	12.045
33	TRIM, Rear Door .....	14.760
34	MOULDING, Front Door Arm Rest .....	14.688
35	COVER, Rear Door Arm Rest .....	14.762
36	BASE, Rear Door Arm Rest .....	14.762
37	MOULDING, Rear Door Arm Rest .....	14.688
38	COVER, Center Pillar Upper .....	14.730
39	COVER, Center Pillar Lower .....	14.730
40	FILLER, Seat Back to Quarter Panel .....	11.629
41	COVER, Front Seat Back Headrest .....	14.924



**1971 CUTLASS & 442 INTERIOR TRIM**  
(3577-87, 3677-87, 4487)  
**1972 CUTLASS INTERIOR TRIM**  
(3677-87)



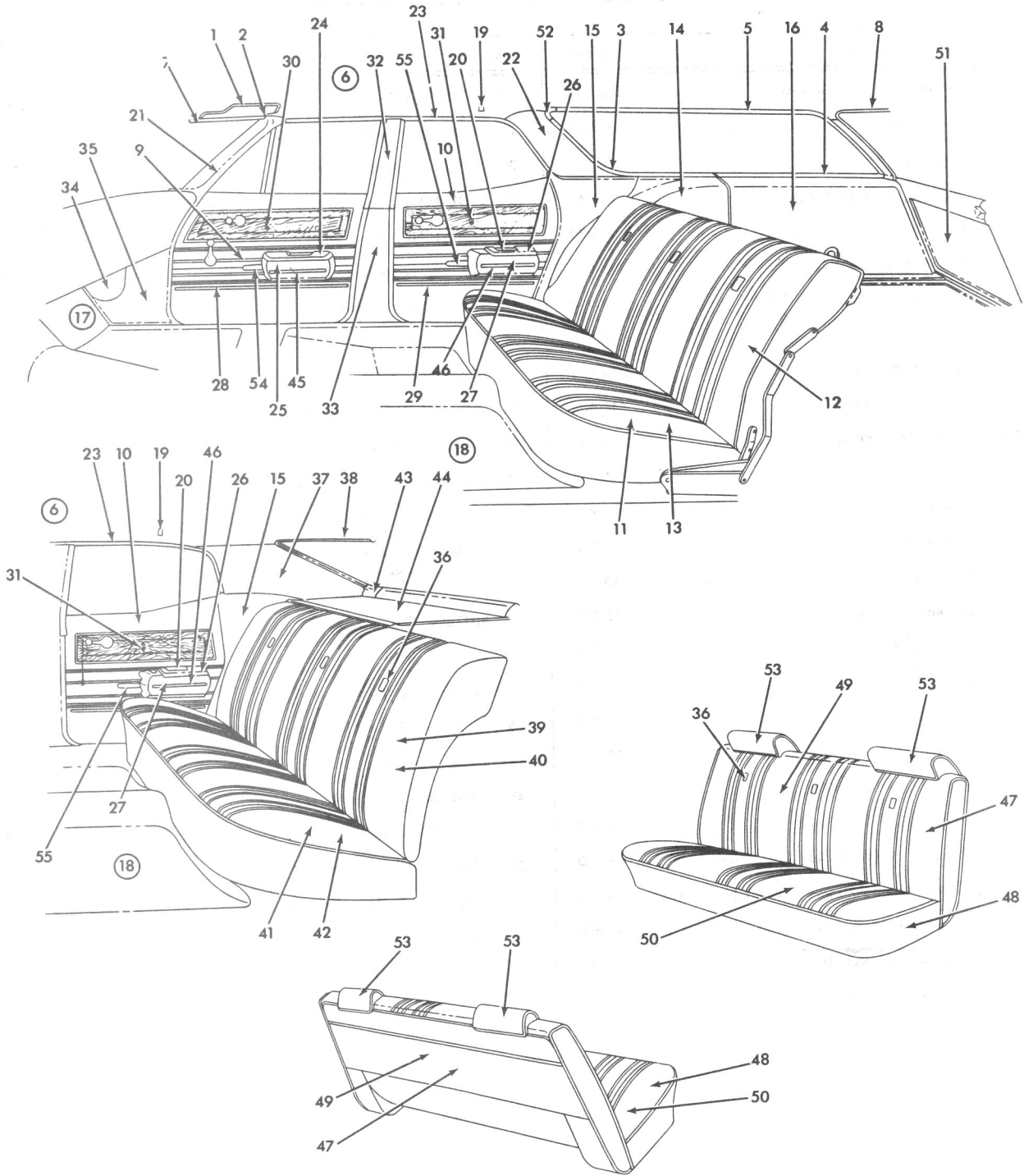


**1971 CUTLASS & 442 INTERIOR TRIM (3577-87, 3677-87, 4487)**

**1972 CUTLASS INTERIOR TRIM (3677-87)**

Key	Description	Group
1	MOULDING, Windshie'd Side Garnish .....	10.051
2	SUNSHADE, Trimmed .....	10.203
3	SUPPORT, Sunshade .....	10.219
4	TRAY, Rear Quarter Arm Rest Ash .....	12.045
5	PANEL, Shrould Plastic .....	14.630
6	HEADLINING, Less Listing Wires .....	14.640
7	TRIM, Rear Quarter Upper Above Belt .....	14.645
8	TRIM, Front Door .....	14.685
9	COVER, Front Door Arm Rest .....	14.686
10	BASE, Front Door Arm Rest .....	14.686
11	WINDLACE, Body Lock Pillar .....	14.735
12	HOOK, Coat .....	15.388
13	BACK, Rear Seat .....	14.998
14	COVER, Rear Seat Back .....	15.000
15	CUSHION, Rear Seat .....	15.033
16	COVER, Rear Seat Cushion .....	15.035
17	PAD, Rear Quarter Trim .....	15.100
18	CARPET, Front Floor .....	15.286
19	CARPET, Rear Floor .....	15.306
20	BUMPER, Front Seat Back Frame .....	11.381
21	LACE, Side Roof Rail Trim Finish .....	14.650
22	LACE, Windshield Upper Trim Finish .....	14.650
23	LACE, Back Window Upper & Side Trim Finish .....	14.650
24	ESCUTCHEON, Back Window Lower Corner Finish Lace ....	14.650
25	MOULDING, Front Door Arm Rest .....	14.688
26	PANEL, Rear Quarter Arm Rest Trim .....	15.108
27	EMBLEM, Front Door Trim Pad .....	14.691

Key	Description	Group
28	HEAD RESTRAINT ASSY., (See Illustration for Details) ...	14.924
29	TRIM, Rear Seat to Back Window Panel .....	15.024
30	GRILLE, Shrould Panel .....	9.789
31	MOULDING, Quarter Window Garnish Front .....	11.119
32	MOULDING, Front Door Trim Pad .....	14.691
33	COVER, Front Seat Back .....	14.800
34	COVER, Front Seat Cushion .....	14.880
35	BACK, Front Seat .....	14.799
36	CUSHION, Front Seat .....	14.878
37	MOULDING, Front Seat Back Side Outer .....	14.818
38	PANEL, P/D Seat Back .....	11.358
39	PANEL, P/D Seat Inner & Outer .....	11.377
40	MOULDING, Seat Back Panel Finish .....	14.818
41	MOULDING, Seat Side Panel Finish .....	14.818
42	SEAT, P/D Complete (Order Component) .....	N.S.
43	BUTTON, Seat Cushion .....	14.804
44	BUTTON, Seat Back .....	14.804
45	COVER, P/D Seat Back .....	14.800
46	COVER, P/D Seat Cushion .....	14.880
47	BACK, P/D Seat .....	14.799
48	CUSHION, P/D Seat .....	14.878
49	FILLER, Rear Seat Back to Quarter Panel .....	11.629
50	REFLECTOR, Front Door Trim Pad .....	14.688
51	PLATE, Front Door Arm Rest Finish .....	14.688
52	BUTTON, Front Door .....	14.804
53	BUTTON, Quarter .....	14.804

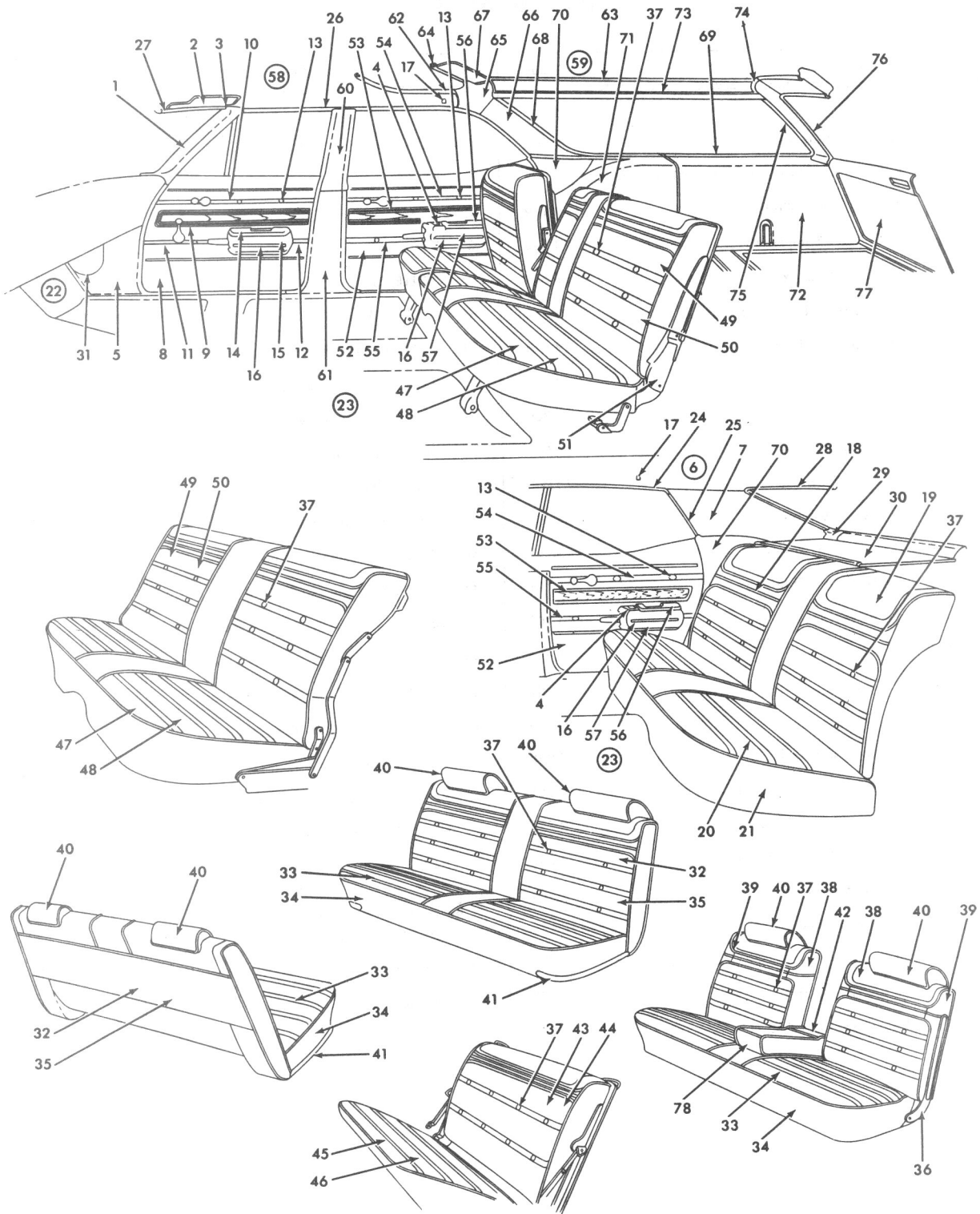


**1971 CUTLASS INTERIOR TRIM (3636-69)**  
(TYPICAL OF 1972)

**1971 CUTLASS INTERIOR TRIM (3636-69)  
(TYPICAL OF 1972)**

Key	Description	Group
1	SUNSHADE, Trimmed .....	10.203
2	SUPPORT, Windshield Sunshade .....	10.219
3	MOULDING, Rear Quarter Window Garnish Lower Front ..	11.119
4	MOULDING, Rear Quarter Window Garnish Lower Rear ..	11.119
5	LACE, Quarter Window Trim Finish .....	14.650
6	HEADLINING, Less Listing Wires .....	14.640
7	LACE, Windshield Upper Trim Finish .....	14.650
8	LACE, Tail Gate Opening Finish .....	14.650
9	TRIM, Front Door .....	14.685
10	TRIM, Rear Door .....	14.760
11	CUSHION, Second Seat .....	15.033
12	COVER, Second Seat Back .....	15.000
13	COVER, Second Seat Cushion .....	15.035
14	TRIM, Wheelhouse Cover Panel .....	15.099
15	PANEL, Rear Quarter Inner Finishing .....	15.101
16	TRIM, Spare Tire Cover Panel .....	15.100
17	CARPET, Front Floor .....	15.286
18	CARPET, Rear Floor .....	15.306
19	HOOK, Coat .....	15.388
20	TRAY, Rear Door Arm Rest Ash .....	12.045
21	MOULDING, Windshield Side Garnish .....	10.051
22	COVER, Body Lock Pillar Above Belt .....	10.721
23	LACE, Side Roof Rail Trim Finishing .....	14.650
24	COVER, Front Door Arm Rest .....	14.686
25	BASE, Front Door Arm Rest .....	14.686
26	COVER, Rear Door Arm Rest .....	14.762
27	BASE, Rear Door Arm Rest .....	14.672
28	MOULDING, Front Door Trim Pad Lower .....	14.691

Key	Description	Group
29	MOULDING, Rear Door Trim Pad Lower .....	14.764
30	EMBLEM, Front Door Trim Pad .....	14.691
31	EMBLEM, Rear Door Trim Pad .....	14.764
32	COVER, Centre Pillar Upper .....	14.730
33	COVER, Centre Pillar Lower .....	14.730
34	GRILLE, Shroud Panel .....	9.789
35	PANEL, Shroud Plastic .....	14.630
36	BUTTON, Seat Back .....	14.804
37	TRIM, Rear Quarter Upper Above Belt .....	14.645
38	LACE, Back Window Upper & Side Trim Finish .....	14.650
39	BACK, Rear Seat .....	14.998
40	COVER, Rear Seat Back .....	15.000
41	CUSHION, Rear Seat .....	15.033
42	COVER, Rear Seat Cushion .....	15.035
43	ESCUTCHEON, Back Window Lower Corner Finish Lace ..	14.650
44	TRIM, Rear Seat to Back Window Panel .....	15.024
45	MOULDING, Front Door Arm Rest .....	14.688
46	MOULDING, Rear Door Arm Rest .....	14.688
47	COVER, Front Seat Back .....	14.800
48	COVER, Front Seat Cushion .....	14.880
49	PAD ASSY., Front Seat Back .....	14.802
50	CUSHION, Front Seat .....	14.878
51	PANEL, Tail Gate Inner Cover .....	12.195
52	<b>ESCUTCHEON, Back Body Pillar Upper Finish Lace</b> .....	14.651
53	COVER, P/D Seat Back Head Rest .....	14.924
54	HANDLE, Front Door Lock Remote Control .....	10.512
55	HANDLE, Rear Door Lock Remote Control .....	10.512



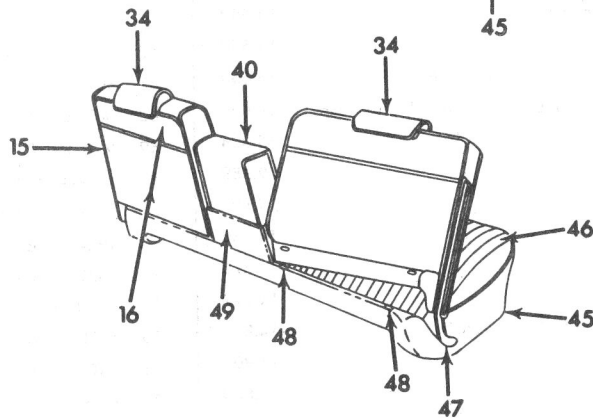
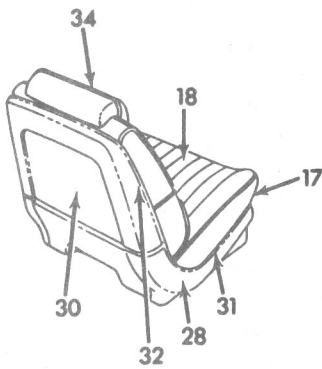
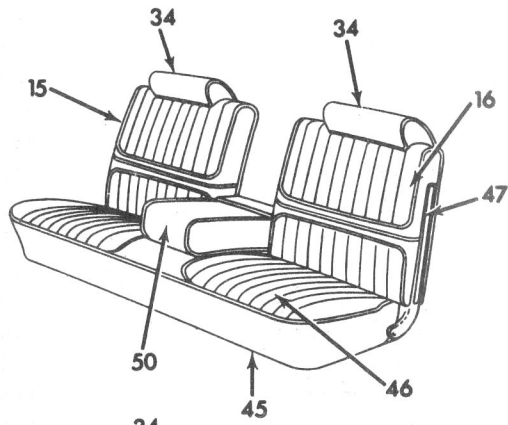
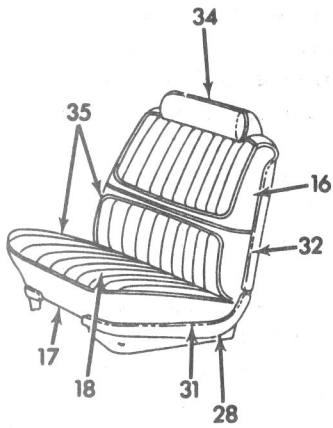
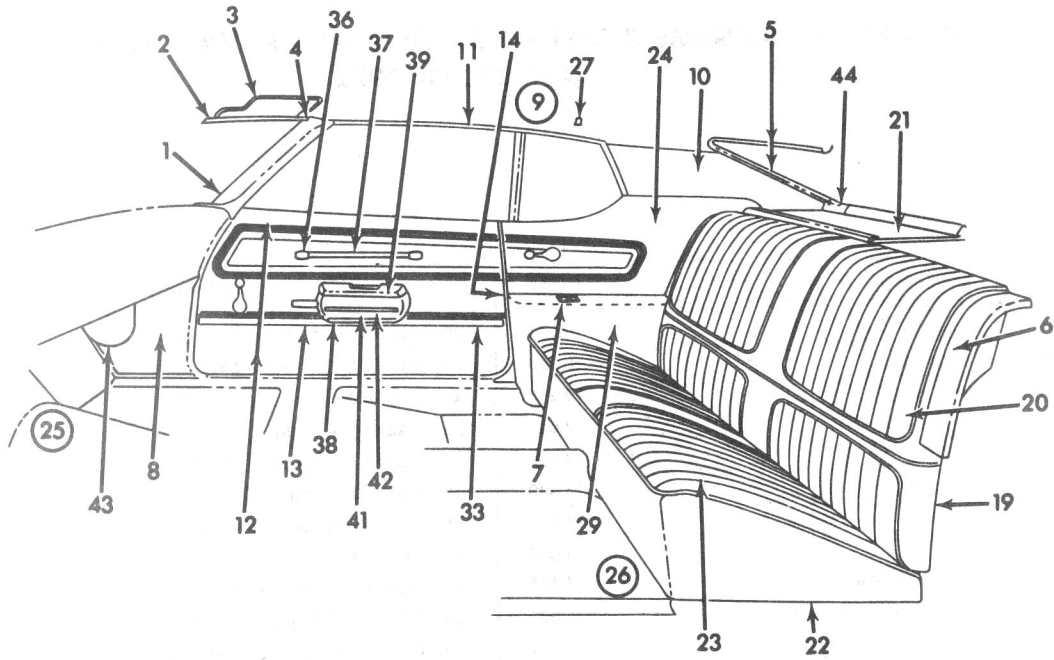
**1971 CUTLASS SUPREME & VISTA CRUISER INTERIOR TRIM (4239, 4856-66)**  
 (TYPICAL OF 1972)



**1971 CUTLASS SUPREME & VISTA CRUISER INTERIOR TRIM (4239, 4856-66)**  
**(TYPICAL OF 1972)**

Key	Description	Group
1	MOULDING, Windshield Side Garnish	10.051
2	SUNSHADE, Trimmed	10.203
3	SUPPORT, Sunshade	10.219
4	TRAY, Rear Door Arm Rest Ash	12.045
5	PANEL, Shroud Plastic	14.630
6	HEADLINING, Less Listing Wires	14.640
7	TRIM, Rear Quarter Upper Above Belt	14.645
8	TRIM, Front Door	14.685
9	PANEL, Front Door Trim Finish	<b>14.685</b>
10	MOULDING, Trim Pad Front Door Upper	14.691
11	MOULDING, Trim Pad Front Door Lower Front	14.691
12	MOULDING, Trim Pad Front Door Lower Rear	14.691
13	BUTTON, Front & Rear Door	14.804
14	COVER, Front Door Arm Rest	14.686
15	BASE, Front Door Arm Rest	14.686
16	MOULDING, Front & Rear Door Arm Rest	14.688
17	HOOK, Coat	15.388
18	BACK, Rear Seat	14.998
19	COVER, Rear Seat Back	15.000
20	CUSHION, Rear Seat	15.033
21	COVER, Rear Seat Cushion	15.035
22	CARPET, Front Floor	15.286
23	CARPET, Rear Floor	15.306
24	MOULDING, Side Roof Rail Front	14.651
25	MOULDING, Side Roof Rail Rear	14.651
26	LACE, Side Roof Rail Trim Finish	14.650
27	LACE, Window Upper Trim Finish	14.650
28	LACE, Back Window Upper and Side Trim Finish	14.650
29	ESCUTCHEON, Back Window Lower Corner Trim Finish	14.650
30	TRIM, Rear Seat to Back Window Panel	15.024
31	GRILLE, Shroud Panel	9.789
32	COVER, Front Seat Back	14.800
33	COVER, Front Seat Cushion	14.880
34	CUSHION, Front Seat	14.878
35	BACK, Front Seat	14.799
36	MOULDING, P D Seat Back Side Outer	14.818
37	BUTTON, Seat Back	14.804
38	COVER, P D Seat Back	14.800
39	BACK, P D Seat	14.799

Key	Description	Group
40	COVER, P/D Seat Back Head Rest	14.924
41	<b>MOULDING, Front Seat Trim Finish</b>	11.362
42	CURTAIN, Front Seat Center Arm Rest	14.900
43	<b>BACK, Third Seat</b>	15.059
44	COVER, Third Seat Back	15.060
45	CUSHION, Third Seat	15.069
46	COVER, Third Seat Cushion	15.070
47	CUSHION, Second Seat	15.033
48	COVER, Second Seat Cushion	15.035
49	BACK, Folding Second Seat	14.998
50	COVER, Folding Second Seat Back	15.000
51	<b>COVER, Second Seat Outer Link</b>	11.620
52	<b>TRIM, Rear Door Upper</b>	14.760
53	PANEL, Rear Door Trim Finish	<b>14.760</b>
54	<b>MOULDING, Rear Door Trim Finish—Upper</b>	14.764
55	<b>MOULDING, Rear Door Trim Finish—Lower</b>	14.764
56	COVER, Rear Door Arm Rest	14.762
57	BASE, Rear Door Arm Rest	14.762
58	HEADLINING, Less Listing Wires Front	14.640
59	HEADLINING, Less Listing Wires Rear	14.640
60	COVER, Center Pillar Upper	14.730
61	COVER, Center Pillar Lower	14.730
62	LACE, Front Skylight Finish Front	14.650
63	LACE, Side Skylight Finish Upper	14.650
64	LACE, Front Skylight Finish Rear	14.650
65	MOULDING, Front Skylight Rear Finish	11.130
66	COVER, Body Lock Pillar Above Belt	<b>10.721</b>
67	SUNSHADE, Front Skylight	10.203
68	MOULDING, Rear Quarter Window Garnish Lower Front	11.119
69	MOULDING, Rear Quarter Window Garnish Lower Rear	11.119
70	<b>PANEL, Rear Quarter Inner Finish</b>	15.101
71	TRIM, Wheelhouse Cover Panel	15.099
72	<b>TRIM, Spare Tire Cover</b>	15.100
73	MOULDING, Rear Quarter Window Upper Garnish	11.119
74	MOULDING, Side Skylight Rear Garnish	11.130
75	MOULDING, Rear Quarter Window Garnish Rear	11.119
76	LACE, Tail Gate Opening Finish	14.650
77	PANEL, Tail Gate Inner Cover	12.195
78	COVER, Front Seat Center Arm Rest	14.900

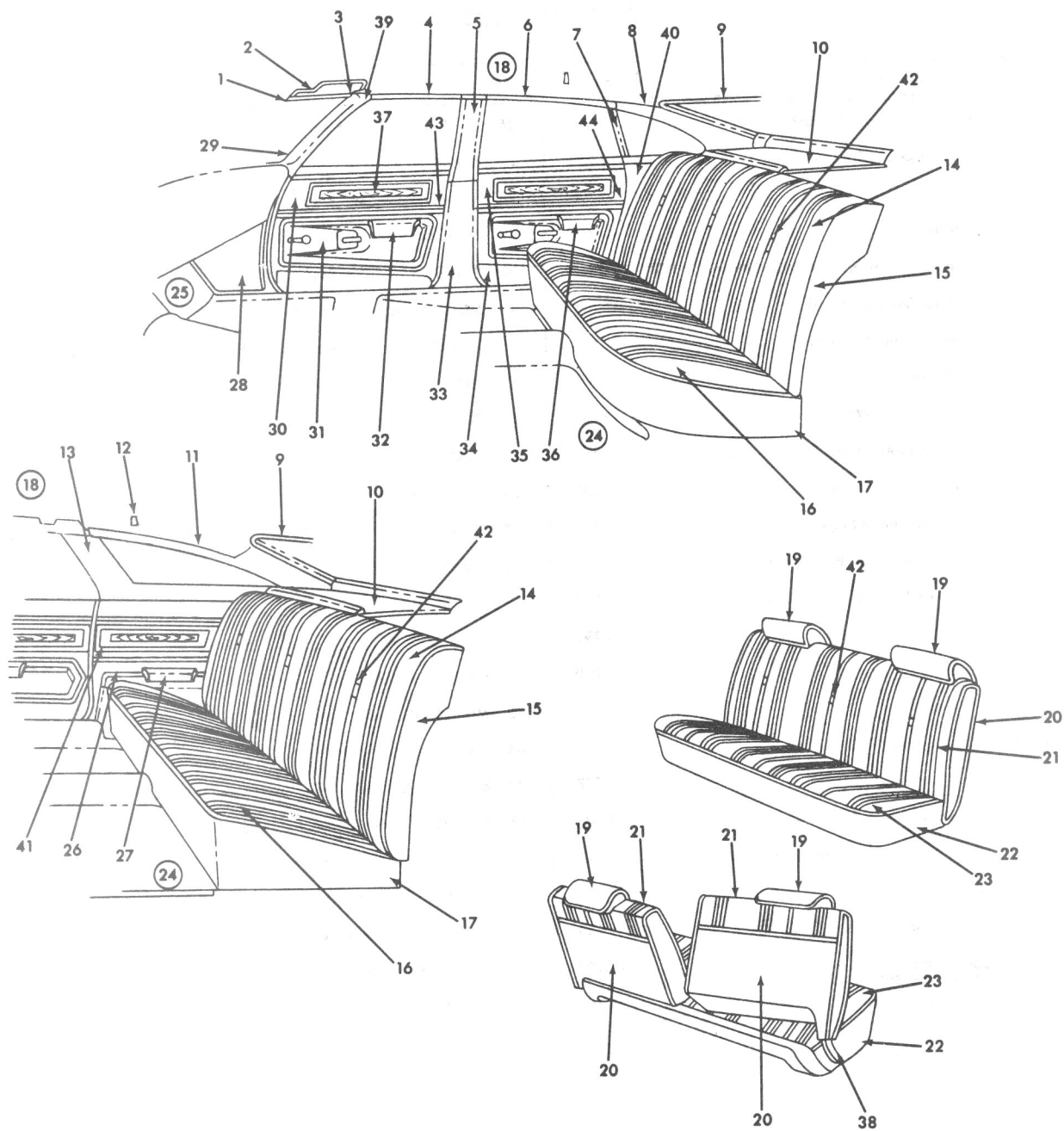


**1971 CONVERTIBLE & CUTLASS SUPREME INTERIOR TRIM**  
**(4257-67, 4467)**  
**(TYPICAL OF 1972)**

**1971 CONVERTIBLE & CUTLASS SUPREME INTERIOR TRIM (4257-67, 4467)  
(TYPICAL OF 1972)**

Key	Description	Group
1	MOULDING, Windshield Side Garnish .....	10.051
2	LACE, Windshield Upper Trim Finish .....	14.650
3	SUNSHADE, Trimmed .....	10.203
4	SUPPORT, Sunshade .....	10.219
5	LACE, Back Window Upper & Side Trim Finish .....	14.650
6	FILLER, Seat Back to Quarter Panel .....	11.629
7	TRAY, Rear Quarter Arm Rest Ash .....	12.045
8	PANEL, Shroud Plastic .....	14.630
9	HEADLINING, Less Listing Wires .....	14.640
10	TRIM, Rear Quarter Upper Above Belt .....	14.645
11	LACE, Side Roof Rail Trim Finish .....	14.650
12	TRIM, Front Door Less Mouldings .....	14.685
13	MOULDING, Front Door Trim Pad Front .....	14.691
14	WINDLACE, Body Lock Pillar .....	14.735
15	BACK, P/D Seat .....	14.799
16	COVER, P/D Seat Back .....	14.800
17	CUSHION, P/D Seat .....	14.878
18	COVER, P/D Seat Cushion .....	14.880
19	BACK, Rear Seat .....	14.998
20	COVER, Rear Seat Back .....	15.000
21	TRIM ASSY., Rear Seat to Back Window .....	15.024
22	CUSHION, Rear Seat .....	15.033
23	COVER, Rear Seat Cushion .....	15.035
24	<u>PAD, Rear Quarter Trim</u> .....	15.100
25	CARPET, Front Floor .....	15.286

Key	Description	Group
26	CARPET, Rear Floor .....	15.306
27	HOOK, Coat .....	15.388
28	PANEL, P/D Seat Inner & Outer .....	<u>11.377</u>
29	REST, Quarter Arm Complete .....	15.108
30	PANEL, P/D Seat Back .....	11.358
31	MOULDING, Seat Side Panel Finish .....	14.818
32	MOULDING, Seat Back Panel Finish .....	14.818
33	MOULDING, Front Door Trim Pad Rear .....	14.691
34	COVER, P/D Seat Back Headrest .....	14.924
35	SEAT, P/D Complete .....	N.S.
36	ESCUTCHEON, Front Door Pull Strap .....	14.691
37	STRAP, Front Door Pull .....	14.691
38	PLATE, Front Door Arm Rest Finish .....	14.688
39	COVER, Front Door Arm Rest .....	14.686
40	ARM REST, Front Seat Center (See Illustration for Details) .....	14.899
41	BASE, Front Door Arm Rest .....	14.686
42	MOULDING, Front Door Arm Rest .....	14.688
43	GRILLE, Shroud Panel .....	9.789
44	ESCUTCHEON, Back Window Lower Corner Finish Lace .....	14.650
45	CUSHION, Front Seat .....	14.878
46	COVER, Front Seat Cushion .....	14.880
47	MOULDING, Front Seat Back Side Outer .....	14.818
48	BUMPER, Front Seat Back Frame .....	11.381
49	COVER, Front Seat Center Arm Rest Trim Panel Finish .....	14.900
50	COVER, Front Seat Center Arm Rest .....	14.900



**1973 INTERIOR TRIM  
 (AF37, AG29)**

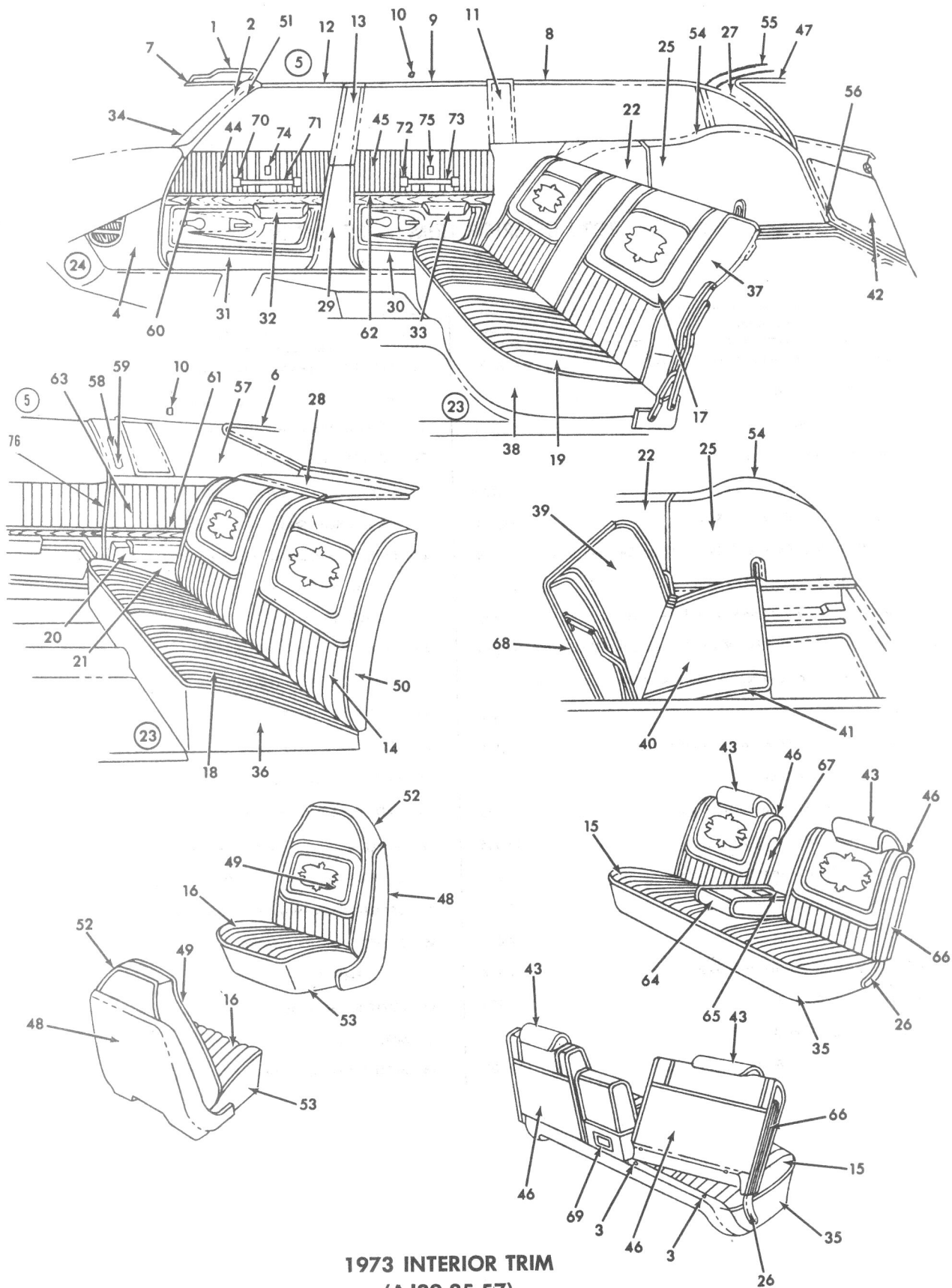




**1973 INTERIOR TRIM (AF37, AG29)**

Key	Description	Group
1	MOULDING, Windshield Upper Garnish .....	10.051
2	SUNSHADE, Trimmed .....	10.203
3	SUPPORT, Sunshade .....	10.219
4	MOULDING, Side Roof Rail Front .....	14.651
5	COVER, Center Pillar Upper .....	14.730
6	MOULDING, Side Roof Rail Rear .....	14.651
7	MOULDING, Rear Quarter Window Front Channel Inner ...	11.119
8	PANEL, Rear Quarter Inner Finish .....	15.101
9	MOULDING, Back Window Garnish—Upper .....	11.120
10	FOUNDATION AND TRIM, Rear Compartment Shelf .....	15.024
11	MOULDING, Rear Quarter Window Garnish .....	11.119
12	HOOK, Coat .....	15.388
13	MOULDING, Quarter Window Front Garnish .....	11.119
14	COVER, Rear Seat Back .....	15.000
15	FRAME & SPRING, Rear Seat Back .....	11.628
16	COVER, Rear Seat Cushion .....	15.035
17	SPRING, & FRAME, Rear Seat Cushion .....	11.610
	PAD, Rear Seat Cushion .....	15.036
18	HEADLINING .....	14.640
19	COVER, Front Seat Back Headrest .....	14.924
20	PANEL, Front Seat Back .....	11.373
	PAD, Front Seat Back .....	14.802
21	COVER, Front Seat Back .....	14.800

Key	Description	Group
22	SPRING & FRAME, Front Seat Cushion .....	11.419
	PAD & WIRE, Front Seat Bottom .....	14.890
23	COVER, Front Seat Cushion .....	14.880
24	CARPET, Rear Floor .....	15.306
25	CARPET, Front Floor .....	15.286
26	PANEL, Rear Quarter Arm Rest Trim .....	15.108
27	PAD, Rear Quarter Arm Rest Trim Finishing Panel .....	15.108
28	PANEL, Shroud Side .....	14.630
29	MOULDING, Windshield Side Garnish .....	10.051
30	TRIM, Front Door Upper .....	14.685
31	TRIM, Front Door Lower .....	14.685
33	COVER, Centre Pillar Lower .....	14.730
34	TRIM, Rear Door Lower .....	14.760
35	TRIM, Rear Door Upper .....	14.760
36	PAD, Rear Door Arm Rest .....	14.762
37	EMBLEM, Door Trim Pad—Front Upper .....	14.691
38	COVER, Front Seat Back Outer Hinge Arm .....	11.375
39	ESCUTCHEON, Windshield Upper Corner Garnish Moulding	10.051
40	PANEL, Rear Quarter Inner .....	12.941
41	PAD, Rear Quarter Trim .....	15.100
42	BUTTON, Seat Back Trim .....	14.804
43	MOULDING, Front Door Trim Finishing .....	14.691
44	MOULDING, Rear Door Trim Finishing .....	14.764



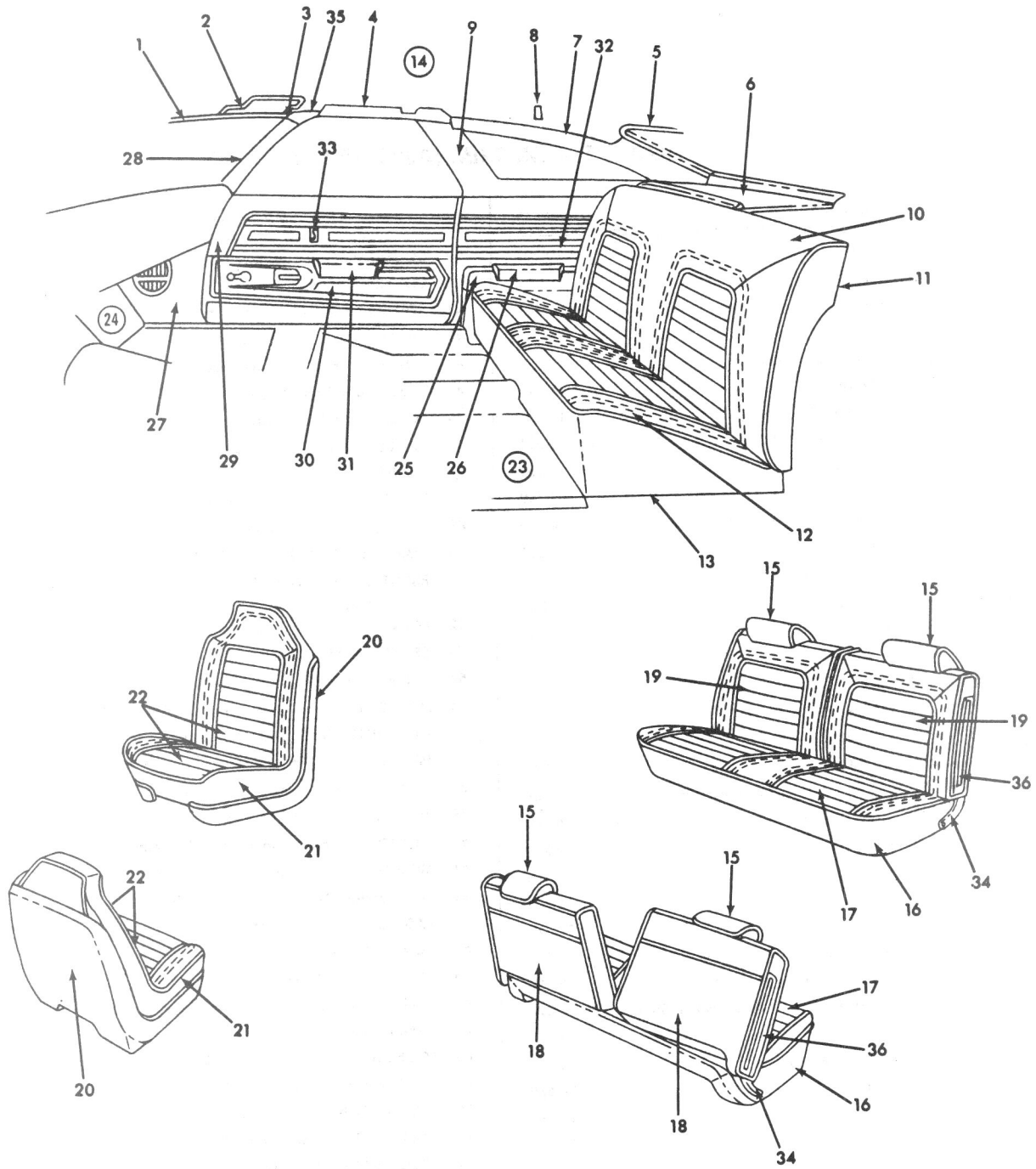
**1973 INTERIOR TRIM**  
**(AJ29-35-57)**



### 1973 INTERIOR TRIM (AJ29-35-57)

Key	Description	Group
1	SUNSHADE, Trimmed .....	10.203
2	SUPPORT, Sunshade .....	10.219
3	BUMPER Front Seat Back Frame .....	11.381
4	PANEL, Shroud Side .....	14.630
5	<b>HEADLINING, Less Listing Wires</b> .....	14.640
6	<b>MOULDING, b/w Garnish</b> .....	11.120
7	MOULDING, w/s Upper Garnish .....	10.051
8	MOULDING, Roof Inner Side — Rear .....	14.651
9	MOULDING, Roof Inner Side — Center .....	14.651
10	HOOK, Coat .....	15.388
11	<b>COVER, Centre Pillar — Above Belt</b> .....	14.730
12	MOULDING, Roof Inner Side — Front .....	14.651
13	COVER, Roof Inner Side — Front .....	14.651
13	COVER, Center Pillar Upper .....	14.730
14	COVER, Rear Seat Back .....	15.000
15	COVER, Front Seat Cushion .....	14.880
16	COVER, p/d Front Seat Cushion .....	14.880
17	COVER, 2nd Seat Back .....	15.000
18	COVER, Rear Seat Cushion .....	15.035
19	COVER, 2nd Seat Cushion .....	15.035
20	PAD, Rear Quarter Arm Rest Trim Finish Panel .....	15.108
21	PANEL, Quarter Arm Rest Trim .....	15.108
22	PANEL, Wheelhouse .....	12.944
23	CARPET, Rear Floor .....	15.306
24	CARPET, Front Floor .....	15.286
25	PANEL, Spare Tire Cover .....	12.579
26	<b>COVER, Front Seat Back Outer Hinge Arm</b> .....	11.375
27	MOULDING, Back Body Pillar Upper Finish .....	12.180
28	<b>FOUNDATION AND TRIM, Rear Compartment Shelf</b> .....	15.024
29	COVER, Center Pillar Lower .....	14.730
30	<b>PANEL, Rear Door Trim Finish</b> .....	14.760
31	PANEL, Front Door Lower .....	14.685
32	PAD, Front Door Arm Rest .....	14.686
33	PAD, Rear Door Arm Rest .....	14.762
34	MOULDING, w/s Side Garnish .....	10.051
35	<b>SPRING &amp; FRAME, Front Seat Cushion</b> .....	11.419
36	<b>SPRING &amp; FRAME, Right Rear Seat Cushion</b> .....	11.610
37	<b>SPRING &amp; FRAME, 2nd Seat Back Cushion</b> .....	11.628
38	<b>SPRING &amp; FRAME, Folding 2nd Seat Cushion</b> .....	11.610

Key	Description	Group
39	COVER, 3rd Seat Back .....	15.060
40	COVER, 3rd Seat Cushion .....	15.070
41	<b>SPRING &amp; FRAME, 3rd Seat Cushion</b> .....	11.610
42	PANEL, Tailgate Inner Cover .....	12.195
43	COVER, Front Seat Back Head Restraint .....	14.924
44	TRIM, Front Door Upper .....	14.685
45	TRIM, Rear Door Upper .....	14.760
46	<b>PANEL, Front Seat Back</b> .....	11.373
47	MOULDING, Tailgate Window Garnish .....	12.180
48	PANEL, p/d Front Seat Back Finish .....	11.358
49	COVER, Front Seat Back .....	14.800
50	FRAME & SPRING, Rear Seat Back .....	11.628
51	<b>ESCUTCHEON, Windshield Upper Corner Garnish</b> <b>Moulding</b> .....	10.051
52	FRAME ASSY., p/d Seat Back .....	11.373
53	<b>SPRING &amp; FRAME, Front Seat Cushion</b> .....	11.419
54	EXTENSION, Spare Tire Cover Panel .....	12.579
55	MOULDING, Back Body Opening Finish—Upper .....	12.180
56	MOULDING, Back Body Pillar Lower Finish .....	12.180
57	<b>PANEL, Rear Quarter Upper Trim Finish—above Belt</b> .....	14.645
58	LENS, Quarter Corner Lamp (Snap-On) .....	11.928
59	REFLECTOR, Quarter Corner Lamp (Snap-On) .....	11.927
60	<b>MOULDING, Front Door Trim Finishing</b> .....	14.691
61	MOULDING, Rear Quarter Trim Pad .....	15.101
62	<b>MOULDING, Rear Door Trim Finishing</b> .....	14.764
63	<b>PAD, Rear Quarter Trim</b> .....	15.100
64	COVER, Front Seat Center Arm Rest .....	14.900
65	CURTAIN, Front Seat Center Arm Rest—Rear .....	14.900
66	PANEL, Seat Back Side Outer .....	11.358
67	PANEL, Seat Back Side Inner Trim .....	11.358
68	FOUNDATION, 3rd Seat Back Formed .....	11.628
69	TRAY, Front Seat Back Center Arm Rest Ash .....	12.045
70	ESCUTCHEON, Front Door Pull Strap .....	14.691
71	STRAP ASSY., Front Door Pull .....	14.691
72	ESCUTCHEON, Rear Door Pull Strap .....	14.691
73	STRAP ASSY. Rear Door Pull .....	14.691
74	EMBLEM, Front Door Upper Trim Pad .....	14.691
75	EMBLEM, Rear Door Upper Trim Pad .....	14.691
76	MOULDING, Body Lock Pillar Pinch Weld Finishing .....	14.731

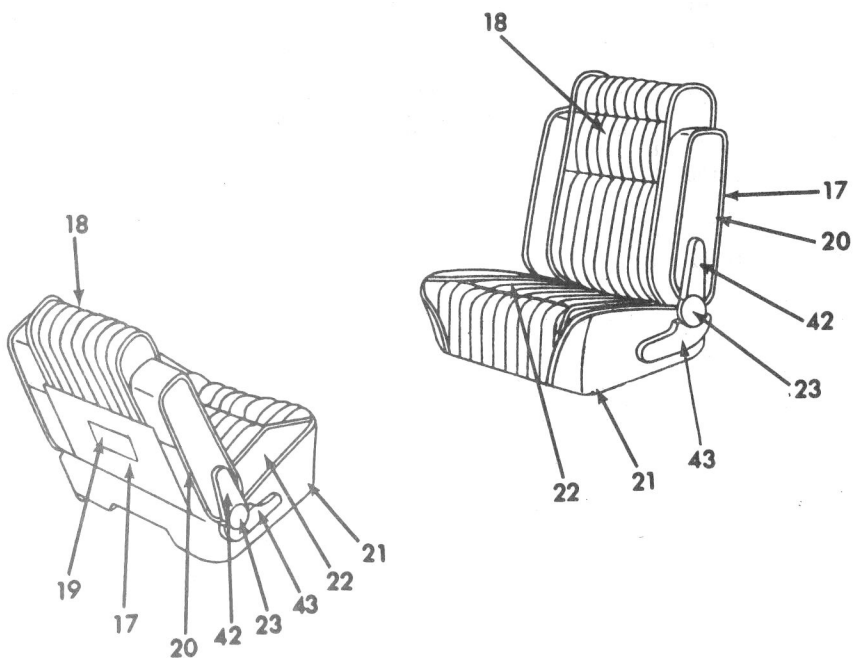
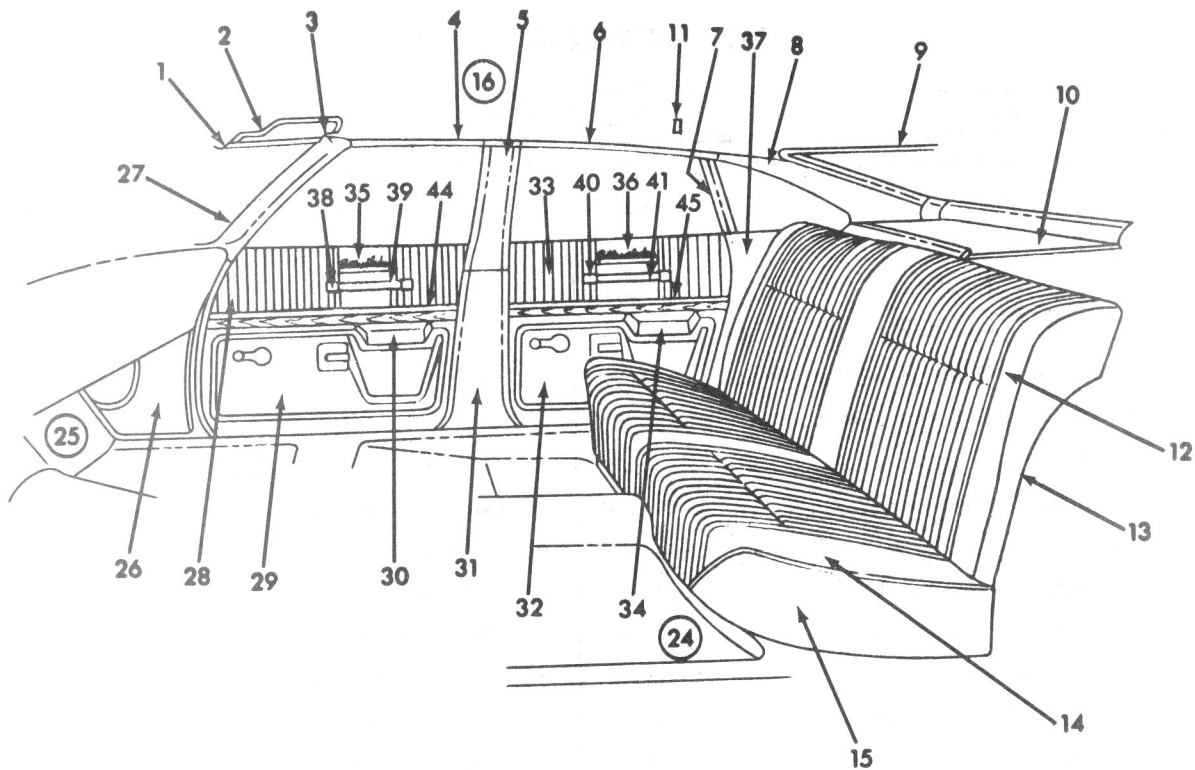


**1973 INTERIOR TRIM  
(AG37)**



**1973 INTERIOR TRIM (AG37)**

Key	Description	Group	Key	Description	Group
1	MOULDING, Windshield Upper Garnish .....	10.051	19	COVER, Front Seat Back .....	14.800
2	SUNSHADE, Trimmed .....	10.203	20	PANEL, Front Seat Back Finish .....	11.358
3	SUPPORT, Sunshade .....	10.219		PAD & WIRE, Front Seat Back .....	14.802
4	MOULDING, Side Roof Rail Front .....	14.651	21	PAD & WIRE, Front Seat Cushion .....	14.890
5	MOULDING, Back Window Garnish .....	11.120	22	COVER, Front Seat Cushion & Back .....	14.800
6	FOUNDATION PAD TRIM, Rear Compartment Shelf .....	15.024	23	CARPET, Rear Floor .....	15.306
7	MOULDING, Rear Quarter Window Garnish .....	11.119	24	CARPET, Front Floor .....	15.286
8	HOOK, Coat .....	15.388	25	PANEL, Rear Quarter Arm Rest Trim .....	15.108
9	MOULDING, Quarter Window Front Garnish .....	11.119	26	PAD, Rear Quarter Arm Rest Trim Finishing .....	15.108
10	COVER, Rear Seat Back .....	15.000	27	PANEL, Shroud Side .....	14.630
11	FRAME & SPRING, Rear Seat Back .....	11.628	28	MOULDING, Windshield Side Garnish .....	10.051
	PAD, Rear Seat Back .....	15.002	29	TRIM, Front Door Upper .....	14.685
12	COVER, Rear Seat Cushion .....	15.035	30	TRIM, Front Door Lower .....	14.685
13	SPRING & FRAME, Rear Seat Cushion .....	11.610	31	PAD, Front Door Arm Rest .....	14.686
	PAD, Rear Seat Cushion .....	15.036	32	TRIM, Quarter Upper .....	15.100
14	HEADLINING .....	14.640	33	EMBLEM, Door Trim Pad .....	14.691
15	COVER, Front Seat Back Head Rest .....	14.924	34	COVER, Front Seat Back Outer Hinge Arm .....	11.375
16	SPRING & FRAME, Front Seat Cushion .....	11.419	35	ESCUTCHEON, Windshield Upper Corner Moulding .....	10.051
	PAD & WIRE, Front Seat Cushion .....	14.890	36	MOULDING, Seat Back Side Trim .....	14.818
17	COVER, Front Seat Cushion .....	14.880			
18	PANEL, Front Seat Back .....	11.373			
	PAD, Front Seat Back .....	14.802			



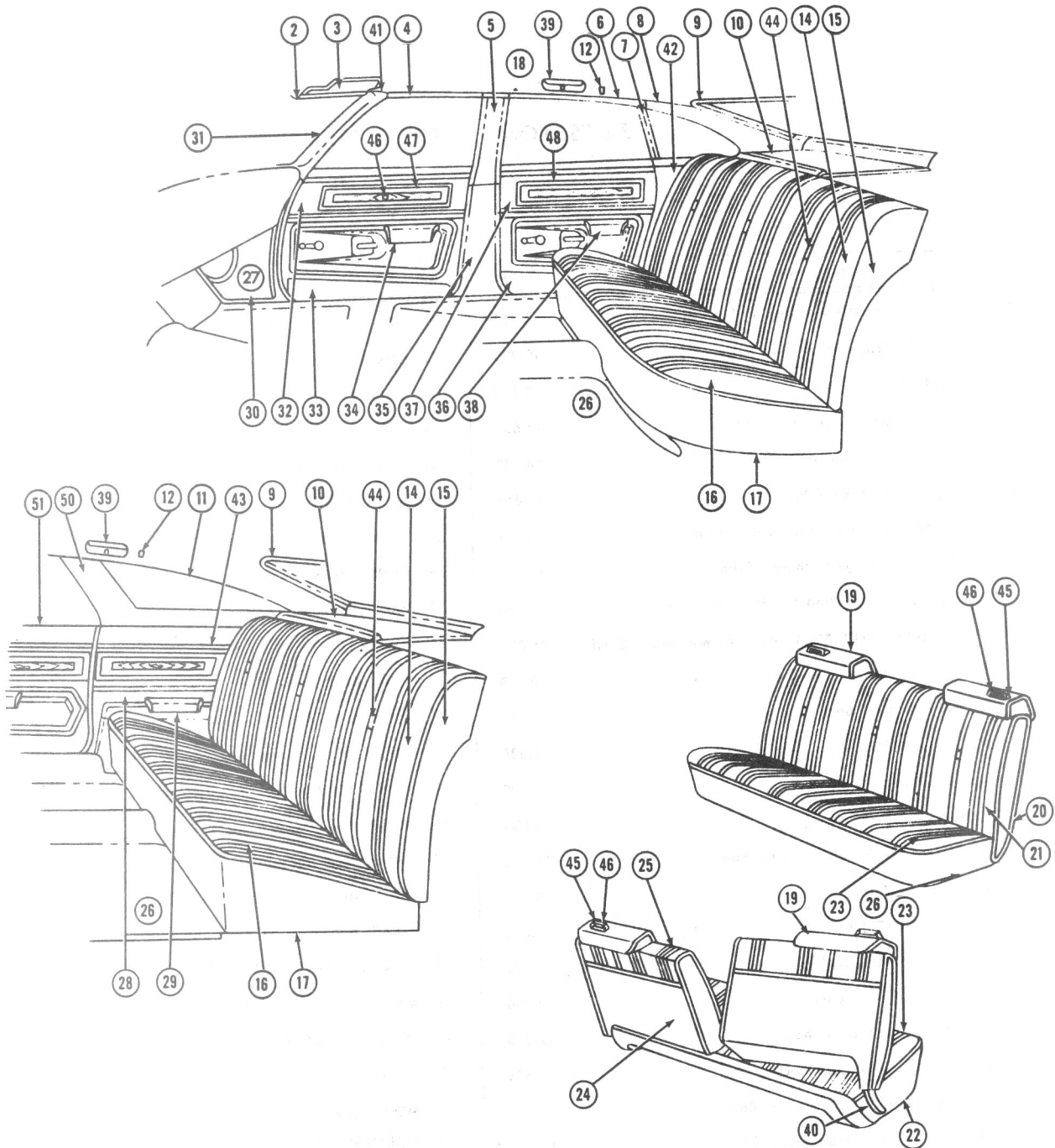
**1973 "SALON" INTERIOR TRIM  
 (AJ29)**



**1973 "SALON" INTERIOR TRIM (AJ29)**

Key	Description	Group
1	MOULDING, Windshield Upper Garnish .....	10.051
2	SUNSHADE, Trimmed .....	10.203
3	SUPPORT, Sunshade .....	10.219
4	MOULDING, Side Roof Rail Front .....	14.651
5	COVER, Center Pillar Upper .....	14.730
6	MOULDING, Side Roof Rail Rear .....	14.651
7	MOULDING, Quarter Upper Trim Finish .....	15.101
8	PANEL, Rear Quarter Inner Finish .....	15.101
9	MOULDING, Back Window Garnish—Upper .....	11.120
10	FOUNDATION AND TRIM, Rear Compartment Shelf .....	15.024
11	HOOK, Coat .....	15.388
12	COVER Rear Seat Back .....	15.000
13	FRAME & SPRING, Rear Seat Back .....	11.628
	PAD, Rear Seat Back .....	15.002
14	COVER, Rear Seat Cushion .....	15.035
15	SPRING & FRAME, Rear Seat Cushion .....	11.610
	PAD, Rear Seat Cushion .....	15.036
16	HEADLINING .....	14.640
17	PANEL, Front Seat Back .....	11.373
18	COVER, Front Seat Back .....	14.800
19	TRAY, Front Seat Back Ash .....	12.045
20	FRAME ASSY., Front Seat Back .....	11.373
	PAD & WIRE ASSY., Front Seat Back .....	14.802
21	FRAME & SPRING, Front Seat Bottom .....	11.419
	PAD & WIRE ASSY., Front Seat Back .....	14.890

Key	Description	Group
22	COVER, Front Seat Cushion .....	14.8
23	KNOB, Front Seat Adjuster—Passenger .....	11.5
24	CARPET, Rear Floor .....	15.3
25	CARPET, Front Floor .....	15.2
26	PANEL, Shroud Plastic .....	14.6
27	MOULDING, Windshield Side Garnish .....	10.0
28	TRIM, Front Door Upper .....	14.6
29	PANEL, Front Door Lower .....	14.6
30	PAD, Front Door Arm Rest .....	14.6
31	COVER, Center Pillar Lower .....	14.7
32	TRIM, Rear Door Lower .....	14.7
33	TRIM, Rear Door Upper .....	14.7
34	PAD, Rear Door Arm Rest .....	14.7
35	PLATE, Front Door Trim Pad Name .....	14.6
36	PLATE, Rear Door Trim Pad Name .....	14.7
37	PANEL, Rear Quarter Inner .....	12.9
38	ESCUTCHEON, Front Door Pull Strap .....	14.6
39	STRAP ASSY., Front Door Pull .....	14.6
40	ESCUTCHEON, Rear Door Pull Strap .....	14.6
41	STRAP ASSY., Rear Door Pull .....	14.6
42	COVER, Upper Outer Hinge Arm .....	11.3
43	COVER, Lower Outer Hinge Arm .....	11.3
44	MOULDING, Front Door Trim Finishing—Upper .....	14.6
45	MOULDING, Rear Door Trim Finishing—Upper .....	14.7



1974 CUTLASS INTERIOR TRIM (AF37, AG29)

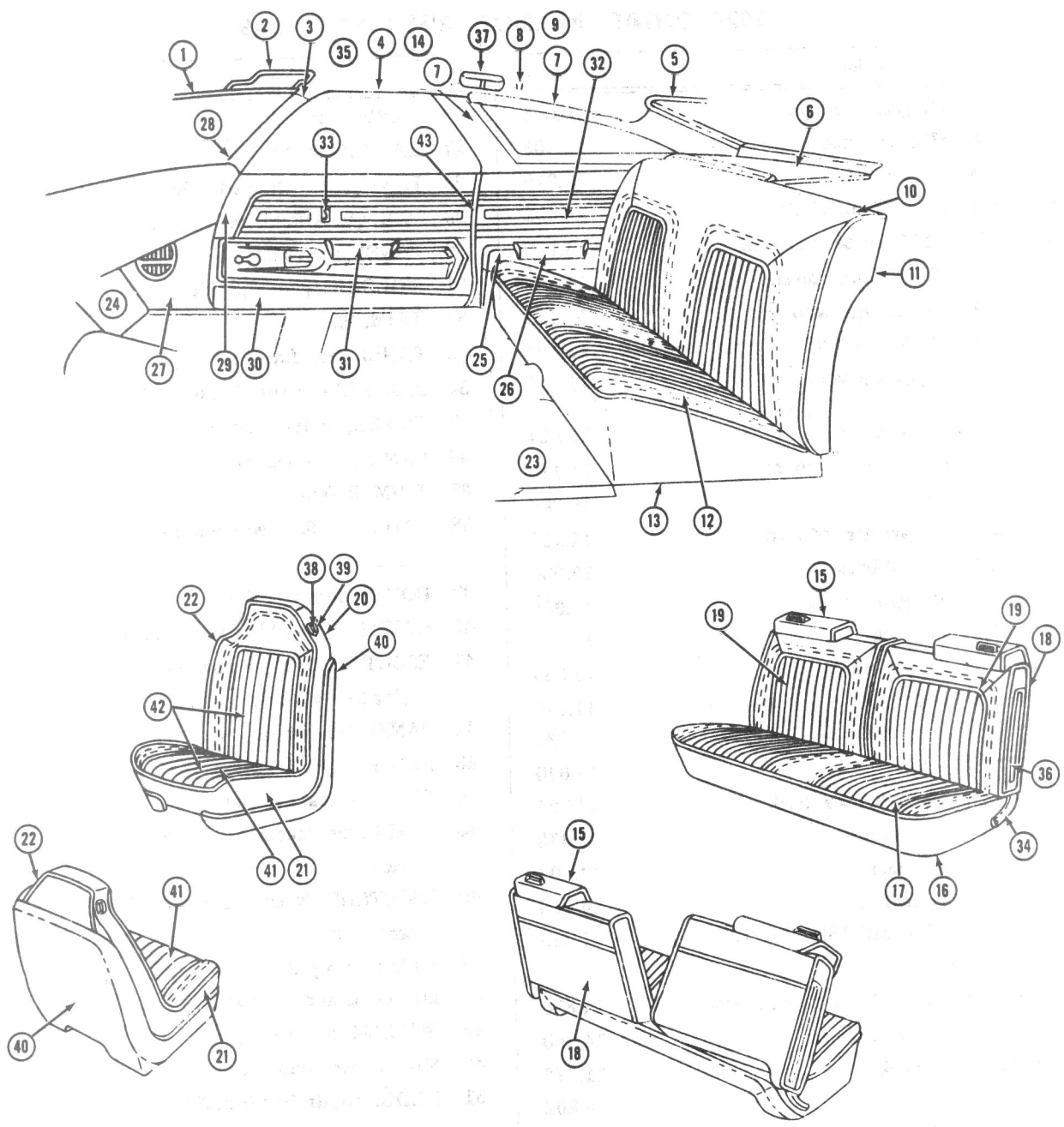




### 1974 CUTLASS INTERIOR TRIM (AF37, AG29)

Key	Description	Group
1	MOLDING, garn W/S upr.	10.051
2	SUNSHADE, trimmed	10.203
3	SUPPORT, sunshade	10.219
4	MOLDING, roof inr. sd. frt.	14.651
5	COVER ASM., center pillar upr.	14.730
6	MOLDING, roof inr. side rr.	14.651
7	MOLDING, garn qtr. wdo. frt.	11.119
8	PANEL, REAR QUARTER Inner Finish	15.101
9	MOLDING, garn B/W upr.	11.120
10	FOUNDATION AND TRIM, rear compartment shelf	15.024
11	MOLDING, garn qtr. wdo. rr.	11.119
12	HOOK, coat	15.388
13	MOLDING, garn qtr. wdo. frt.	11.119
14	COVER, rr. seat back	15.000
15	FRM. ASM., R/seat back	11.628
	PAD, R/seat back	15.002
16	COVER, rr. seat cushion	15.035
17	SPG. & FRM. ASM., rr. seat bottom	11.610
18	PAD, rr. seat cushion	15.036
	HEADLINING	14.640
19	COVER, P/D H/Rst seat back	14.924
20	PANEL, frt. seat back	11.373
	PAD, frt. seat back	14.802
21	COVER, frt. seat back	14.800
22	SPRING & FRAME ASM., frt. seat bottom	11.419
	PAD & WIRE ASSY., frt. seat bottom	14.890
23	COVER, frt. seat cushion	14.880
24	PANEL, P/D back	11.373
	PAD, P/D seat back	14.802
25	COVER, P/D seat back	14.800

Key	Description	Group
26	CARPET, rr. flr.	15.306
27	CARPET, frt. flr.	15.286
28	PANEL, qtr. A/Rst trim fin.	15.108
29	PAD, qtr. A/Rst trim fin. pnl.	15.108
30	PANEL, cowl sd. fin.	14.630
31	MOLDING, garn W/S side	10.051
32	TRIM, F/D upr.	14.685
33	PANEL, trim fin. F/D lwr.	14.685
34	PAD, F/D lwr. trim fin. pnl. A/Rst	14.686
35	COVER, center pillar lwr.	14.730
36	PANEL, rear door trim	14.760
37	TRIM, R/D upr.	14.760
38	PAD ASM., R/D lwr. trim fin. pnl. A/Rst	14.762
39	COVER, retractor shoulder strap	14.875
40	COVER, P/D seat back outer hinge	11.375
41	ESCUTCHEON, W/S upr. cor. mldg. (for 37 style only)	10.051
42	PANEL, fin. qtr. inr. lwr.	12.941
43	PAD, rear quarter trim	15.100
44	BUTTON, seat back trim	14.804
45	GUIDE, shoulder strap, P/D seat back	14.875
46	ESCUTCHEON, shoulder strap P/D seat back	14.875
47	MLDG., trm pad F/D upr.	14.691
48	MLDG., trim pad R/D upr.	14.764
49	EMBLEM, trim pad F/D upr.	14.691
50	MLDG., qtr. wind. frt.	11.119
51	MLDG., frt. dr. belt trim finish	11.075



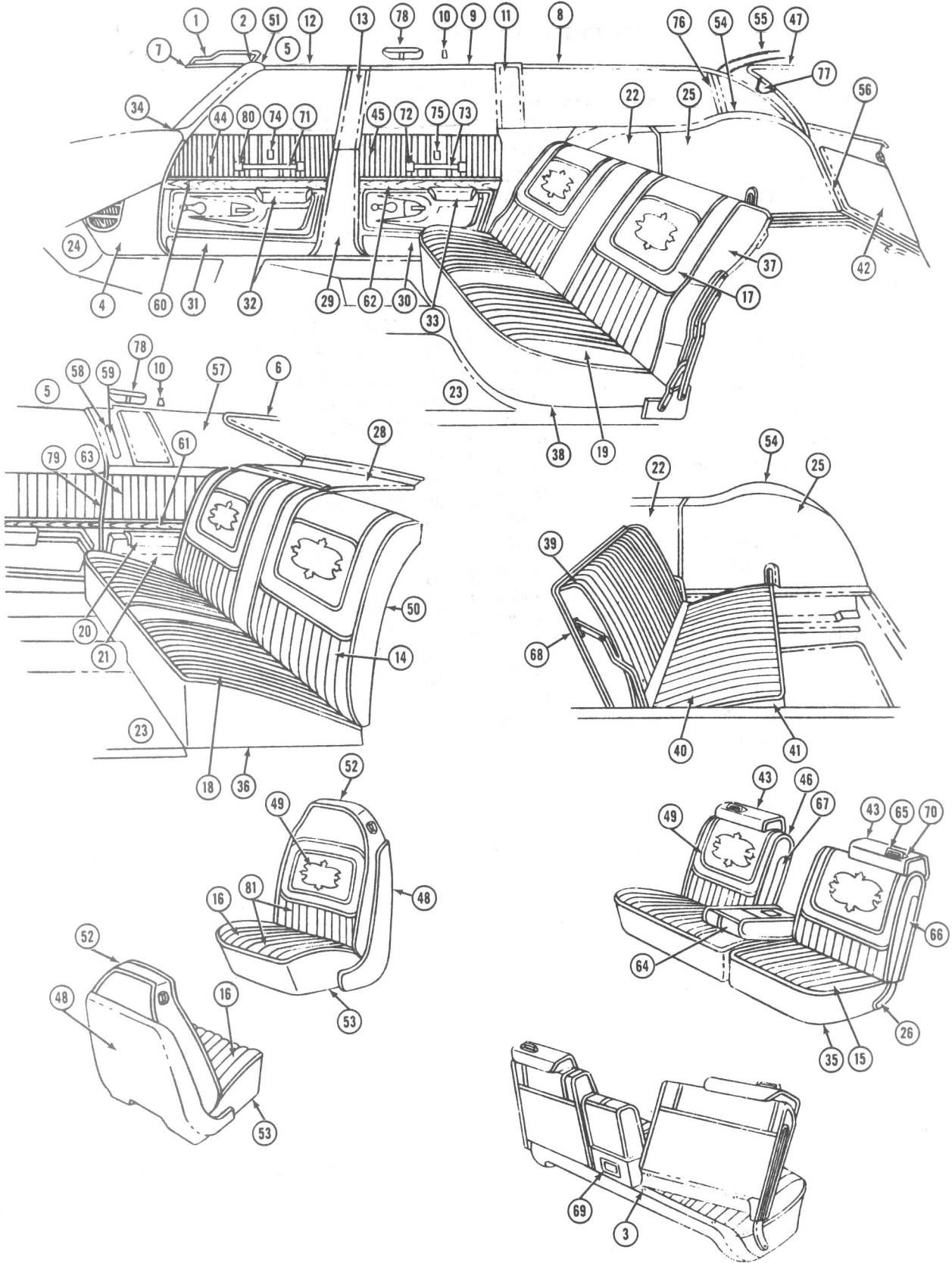
**1974 CUTLASS INTERIOR TRIM (AG37)**



**1974 CUTLASS INTERIOR TRIM (AG37)**

Key	Description	Group
1	MOLDING, garn. w/s upr.	10.051
2	SUNSHADE, trimmed	10.203
3	SUPPORT, sunshade	10.219
4	MLDG., roof inr. side frt.	14.651
5	MLDG., garn. b/w upr.	11.120
6	FOUNDATION AND TRIM, rear compartment shelf	15.024
7	MLDG., garn. qtr. wdo. rr. & frt.	11.119
8	HOOK, coat	15.388
9	MLDG., garn. qtr. wdo. frt.	11.119
10	COVER, rr. seat back	15.000
11	BACK ASSY., r/seat back	11.628
	PAD, r/seat back	15.002
12	COVER, rr. seat cushion	15.035
13	SPG. & FRM. ASM., r/st. btm.	11.610
	PAD, r/st. cush.	15.036
14	HEADLINING	14.640
15	COVER ASM., P/D h/rst. seat back	14.924
16	SPRING & FRAME ASM., f/st. btm.	11.419
	PAD & WIRE ASSY., f/st. btm.	14.890
17	COVER, frt. seat cushion	14.880
18	PANEL, P/D seat back	11.373
	PAD ASSEMBLY, P/D seat back	14.802
19	COVER, P/D seat back	14.800
20	PANEL, fin. P/D seat back	11.358
	PAD & WIRE, P/D seat back	14.802

Key	Description	Group
21	SPRING & FRAME, P/D seat cushion /	11.419
22	COVER, P/D seat back	14.800
23	CARPET, rr. flr.	15.306
24	CARPET, frt. flr.	15.286
25	PANEL, qtr. a/rst. trim fin.	15.108
26	PAD, qtr. a/rst. trim fin. pnl.	15.108
27	PANEL, cowl side fin.	14.630
28	MLDG., garn. w/s side	10.051
29	TRIM, F/D upr.	14.685
30	PANEL, trim fin. F/D lwr.	14.685
31	PAD ASM., F/D lwr. tr. fin. pnl. a/rst.	14.686
32	TRIM, qtr. upr.	15.100
33	EMBLEM, F/D upr. trim pad	14.691
34	COVER, P/D seat back outer hinge	11.375
35	ESCUTCHEON, w/s upr. cor. mldgs.	10.051
36	MLDG., P/D seat back outer	14.818
37	CVR., retractor shoulder strap	14.875
38	GUIDE, shoulder strap P/D seat back	14.875
39	ESCUTCHEON, shoulder strap P/D seat back	14.875
40	PANEL, fin. P/D seat back	11.358
41	COVER, P/D seat cush.	14.880
42	SEAT, complete P/D less trim	N.S.
43	MLDG., rr. body lock pillar pinchweld finish	14.731



**1974 CUTLASS SUPREME INTERIOR TRIM (AJ29-35-57)**

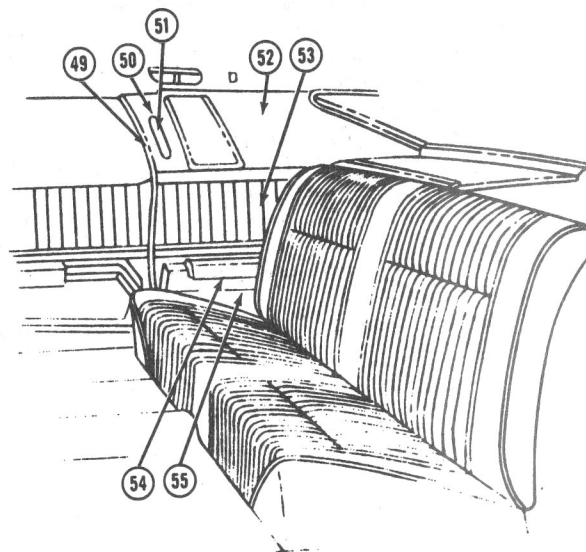
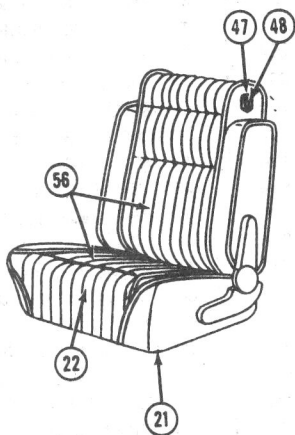
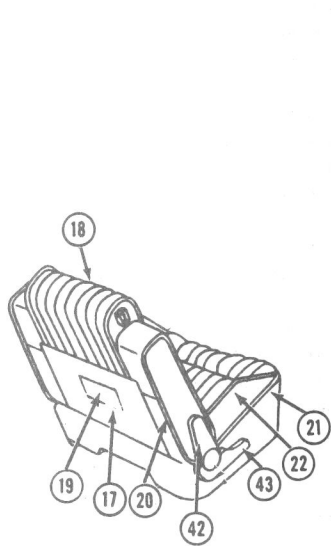
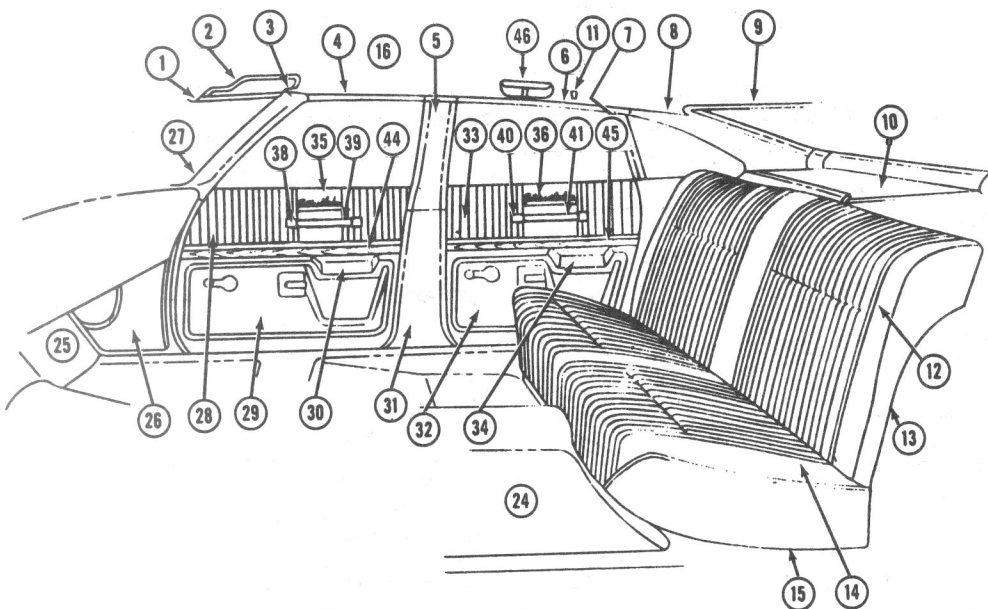


## 1974 CUTLASS SUPREME INTERIOR TRIM (AJ29-35-57)

Key	Description	Group	Key	Description	Group
1	SUNSHADE, trimmed .....	10.203	42	PANEL, tailgate inner cover .....	12.195
2	SUPPORT, sunshade .....	10.219	43	COVER, P/D headrest seat back .....	14.924
3	BUMPER, front seat back frame .....	11.381	44	TRIM, F/D upper .....	14.685
4	PANEL, cowl side finish .....	14.630	45	PANEL, rear door trim finish .....	14.760
5	HEADLINING .....	14.640	46	PANEL, P/D seat back .....	11.373
6	MOLDING, garnish back window upper .....	11.120	47	MOLDING, tailgate window garnish .....	12.180
7	MOLDING, garnish windshield upper .....	10.051	48	PANEL, finish P/D seat back .....	11.358
8	MOLDING, roof inner side rear .....	14.651	49	COVER, P/D seat back .....	14.800
9	MOLDING, roof inner side center .....	14.651	50	FRAME ASSEMBLY, rear seat back .....	11.628
10	HOOK, coat .....	15.388	51	ESCUTCHEON, windshield upper corner molding (57 style only) .....	10.051
11	COVER, body lock pillar above belt .....	10.721	52	FRAME, P/D seat back .....	11.373
12	MOLDING, roof inner side front .....	14.651	53	SPRING & FRAME, P/D seat bottom support .....	11.419
13	COVER ASSEMBLY, center pillar .....	14.730	54	EXTENSION, spare tire cover panel .....	12.579
14	COVER, rear seat back .....	15.000	55	MOLDING, back body opening upper finish .....	12.180
15	COVER, front seat cushion .....	14.880	56	MOLDING, finish back body pillar lower .....	12.180
16	COVER, P/D seat cushion .....	14.880	57	PANEL, rear quarter upper trim .....	14.645
17	COVER, second seat back .....	15.000	58	LENS, quarter corner lamp .....	11.928
18	COVER, rear seat cushion .....	15.035	59	REFLECTOR, quarter corner lamp .....	11.927
19	COVER, 2nd seat cushion .....	15.035	60	MOLDING, trim pad F/D upper .....	14.691
20	PAD, rear quarter arm rest trim finish panel .....	15.108	61	MOLDING, rear quarter trim pad .....	15.101
21	PANEL, rear quarter arm rest trim .....	15.108	62	MOLDING, trim pad R/D upper .....	14.764
22	PANEL, wheelhouse cover .....	12.944	63	PAD, rear quarter trim .....	15.100
23	CARPET, rear floor .....	15.306	64	COVER, f/seat ctr arm rest .....	14.900
24	CARPET, front floor .....	15.286	65	GUIDE, P/D seat back shoulder strap .....	14.875
25	PANEL, spare tire cover .....	12.579	66	PANEL, seat side .....	11.358
26	COVER, P/D seat back outer hinge .....	11.375	67	PANEL, P/D seat back side inner trim .....	11.358
27	MOLD, back body pillar finish upper .....	12.180	68	FOUNDATION, 3rd seat back formed .....	11.628
28	FOUNDATION AND TRIM, rear compartment shelf .....	15.024	69	TRAY, ash front seat back center arm rest .....	12.045
29	COVER ASSEMBLY, center pillar .....	14.730	70	ESCUTCHEON, P/D seat back shoulder strap .....	14.875
30	PANEL, trim finish R/D lower .....	14.760	71	STRAP, door pull — front .....	14.691
31	PANEL, trim finish F/D lower .....	14.685	72	ESCUTCHEON, R/D pull strap .....	14.764
32	PAD, F/D lower trim finish panel arm rest .....	14.686	73	STRAP, R/D pull .....	14.764
33	PAD, R/D lower trim finish panel arm rest .....	14.762	74	EMBLEM, trim pad F/D .....	14.691
34	MOLDING, garnish windshield side .....	10.051	75	EMBLEM, trim pad R/D .....	14.764
35	SPRING & FRAME, front seat cushion .....	11.419	76	MOLDING, rear quarter window garnish .....	11.119
36	SPRING & FRAME, rear seat cushion .....	11.610	77	FILLER, back body opening .....	12.968
37	FRAME ASSY., folding 2nd seat back .....	11.628	78	COVER, retractor shoulder strap .....	14.875
38	SPRING & FRAME, folding second seat cushion .....	11.610	79	MOLDING, body lock pillar upper finish .....	14.731
39	COVER, third seat back .....	15.060	80	ESCUTCHEON, F/D pull strap .....	14.691
40	COVER, third seat cushion .....	15.070	81	SEAT, complete P/D less trim .....	N.S.
41	SPRING & FRAME, folding third seat cushion .....	11.610			

GM

F85  
OLDSMOBILE  
PARTS CATALOGUE



1974 CUTLASS SUPREME "SALON" INTERIOR TRIM (AJ29-57)

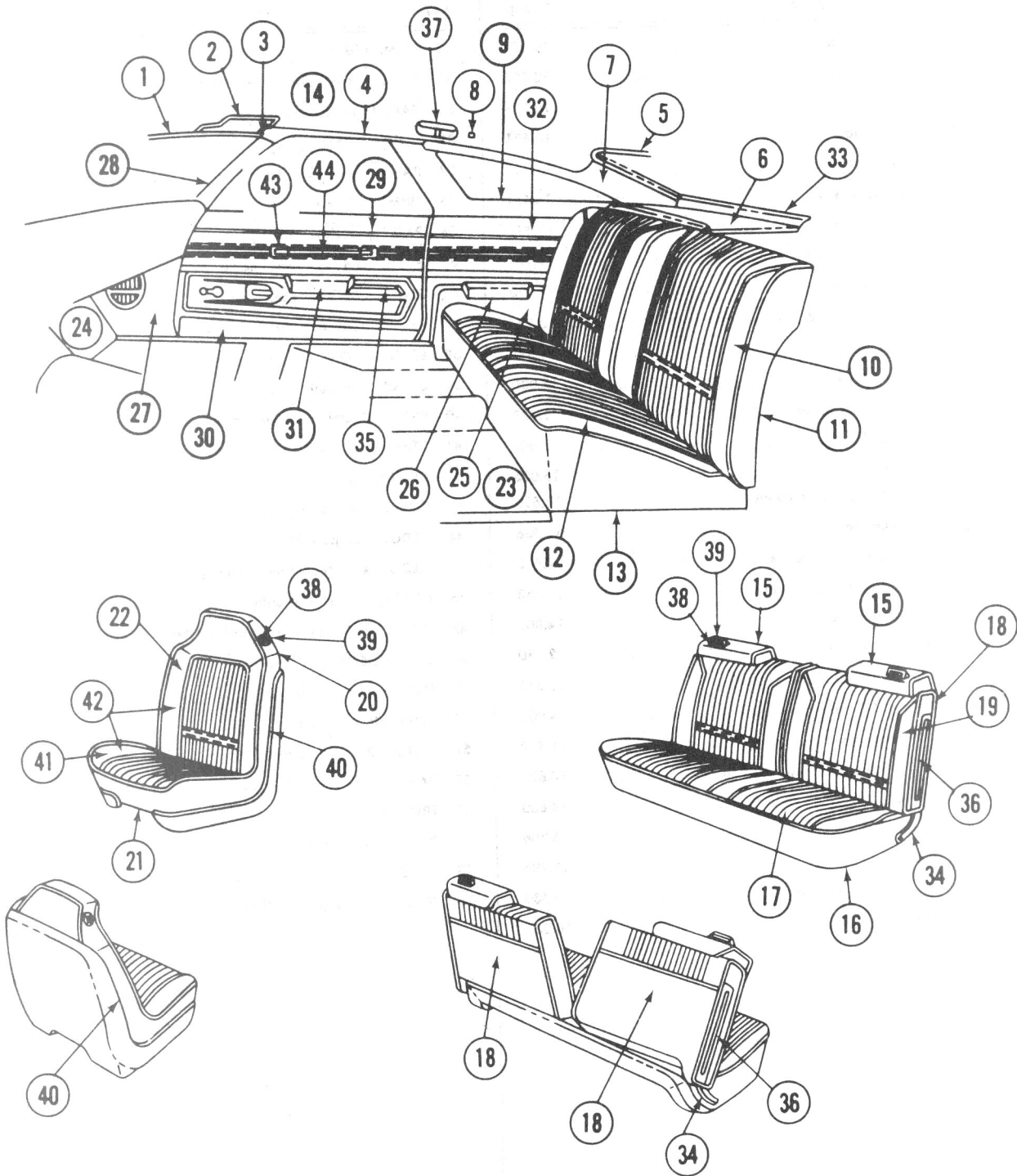


1974 CUTLASS SUPREME "SALON" INTERIOR TRIM (AJ29-57)

Key	Description	Group
1	MLDG., garn w/s upr .....	10.051
2	SUNSHADE, trimmed .....	10.203
3	SUPPORT, sunshade .....	10.219
4	MLDG., roof inr. side frt. ....	14.651
5	COVER, center pillar, .....	14.730
6	MLDG., roof inr. side rr .....	14.651
7	MLDG., rear qtr wdo garnish .....	11.119
8	PANEL, qtr inr upr finish .....	15.101
9	MLDG., garn b/w upr .....	11.120
10	FOUNDATION AND TRIM, rear compartment shelf .....	15.024
11	HOOK, coat .....	15.388
12	COVER, rr. seat back .....	15.000
13	BACK, rear seat (less cover) .....	11.628
13	PAD, rr. seat back .....	15.002
14	COVER, rr. seat cushion .....	15.035
15	SPRING & FRAME, rr. seat cushion .....	11.610
15	PAD, rr. seat cushion .....	15.036
16	HEADLINING, less listing wires .....	14.640
17	PANEL ASM, p/d seat back finish .....	11.358
18	COVER, p/d seat back .....	14.800
19	TRAY ASH, frt. seat back .....	12.030
20	FRAME AND SPRING, p/d seat back .....	11.373
20	PAD & WIRE ASSY., p/d seat back .....	14.802
21	FRAME & SPRING, front seat cushion .....	11.419
21	PAD & WIRE ASSY., p/d seat cushion .....	14.890
22	COVER, p/d cushion .....	14.880
24	CARPET, rear flr .....	15.306
25	CARPET, frt. flr .....	15.286
26	PANEL, shroud side finishing .....	14.630
27	MLDG., garn w/s side .....	10.051

Key	Description	Group
28	TRIM, f/d upr .....	14.685
29	PANEL, front door trim finish .....	14.685
30	PAD, front door arm rest .....	14.686
31	COVER, center pillar .....	14.730
32	PANEL, rear door trim finish .....	14.760
33	TRIM, r/d upr .....	14.760
34	PAD, rear door arm rest .....	14.762
35	PLATE, f/d trim pad name .....	14.691
36	PLATE, r/d trim pad name .....	14.764
37	PANEL, rear quarter inner .....	12.941
38	ESCUTCHEON, f/d pull strap .....	14.691
39	STRAP, f/d pull .....	14.691
40	ESCUTCHEON, r/d pull strap .....	14.764
41	STRAP, r/d pull .....	14.764
42	COVER, upr otr hge arm .....	11.375
43	COVER, lwr otr hge arm .....	11.375
44	MLDG, trim pad f/d .....	14.691
45	MLDG, rear door trim finishing .....	14.764
46	COVER, retractor shoulder strap .....	14.875
47	GUIDE, p/d seat back shoulder strap .....	14.875
48	ESCUTCHEON p/d seat back shoulder strap .....	14.875
49	MLDG., fin body lk plr .....	14.731
50	LENS, qtr corner lamp .....	11.928
51	REFLECTOR, qtr corner lamp .....	11.927
52	PANEL, rear quarter upper trim finish—above bslt .....	14.645
53	TRIM, qtr upr .....	15.100
54	PAD, qtr a/rest trim fin panel .....	15.108
55	PANEL, qtr. a/rest trim fin .....	15.108
56	SEAT complete p & d (less trim) .....	N.S.





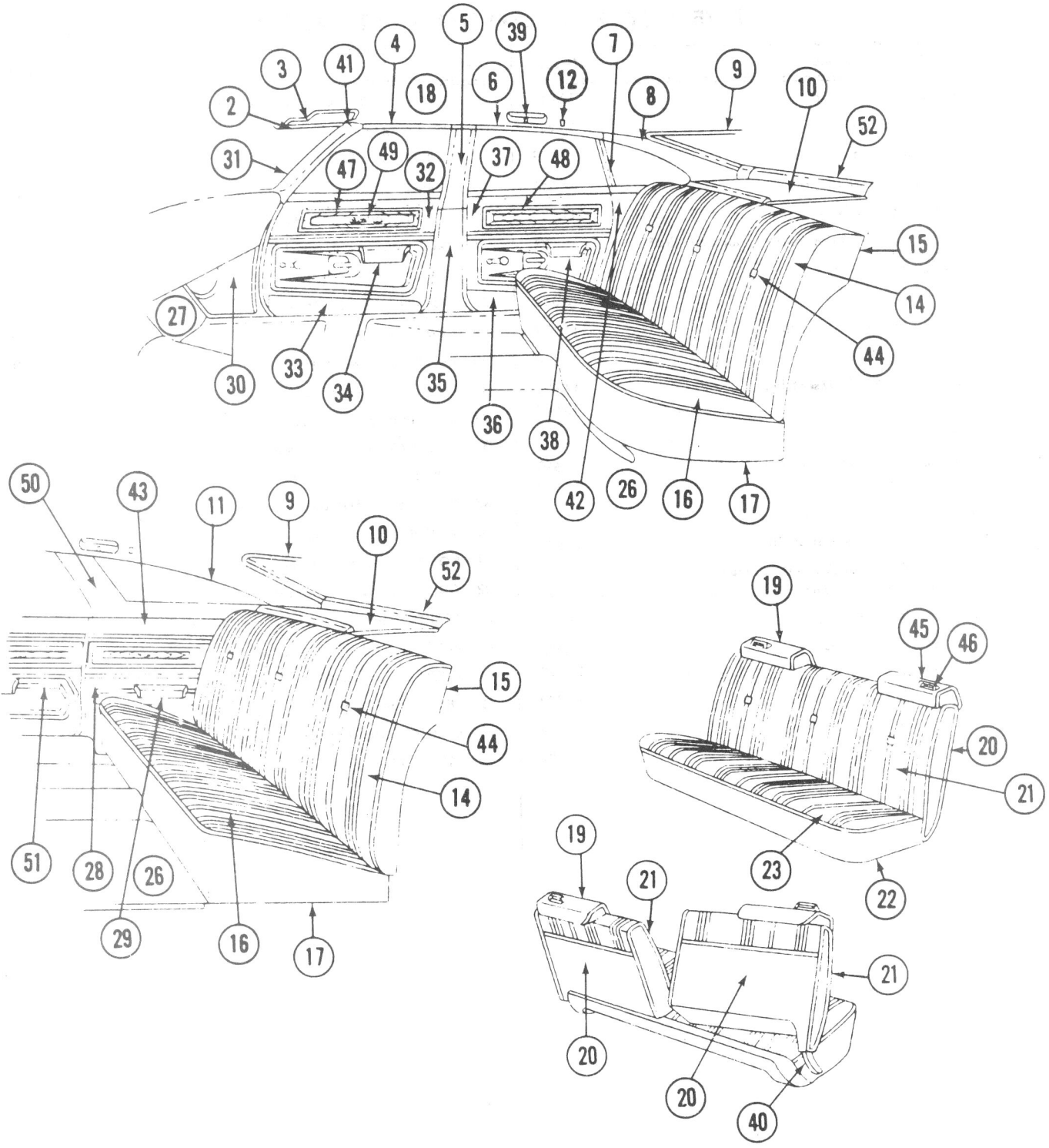
1975 CUTLASS INTERIOR TRIM (AG37)



## 1975 CUTLASS INTERIOR TRIM (AG37)

Key	Description	Group
1	MOLDING, garn. w/s upr. ....	10.051
2	SUNSHADE, trimmed .....	10.203
3	SUPPORT, sunshade .....	10.219
4	MOLDING, roof inr. sd. frt. ....	14.651
5	MOLDING, garn. b/w upr. ....	11.120
6	FOUNDATION AND TRIM, rear compartment shelf .....	15.024
7	MOLDING, rr. qtr.wdo. ....	11.119
8	HOOK, coat .....	15.388
9	MOLDING qtr. wdo. frt garn. ....	11.119
10	COVER, rr. st. bk. ....	15.000
11	FRAME AND SPRING, r/seat bk. ....	11.628
	PAD, r/seat bk. ....	15.002
12	COVER, rr. st. cush. ....	15.035
13	SPRING & FRAME ASSY., r/st. cushion .....	11.610
	PAD, r/st. cush. ....	15.036
14	HEADLINING .....	14.640
15	COVER ASSY., p/d h/rest st. bk. ....	14.924
16	SPRING & FRAME ASSY., f/st. cushion .....	11.419
	PAD ASSY., f/st. btm. wire .....	14.890
17	COVER, frt. st. cush. ....	14.880
18	PANEL ASSY., p/d st. bk. ....	11.373
	PAD ASSY., p/d st. bk. ....	14.802
19	COVER, p/d st. bk. ....	14.800
20	PANEL, bucket seat back .....	11.358
20	PAD & WIRE, p/d st. bk. ....	14.802

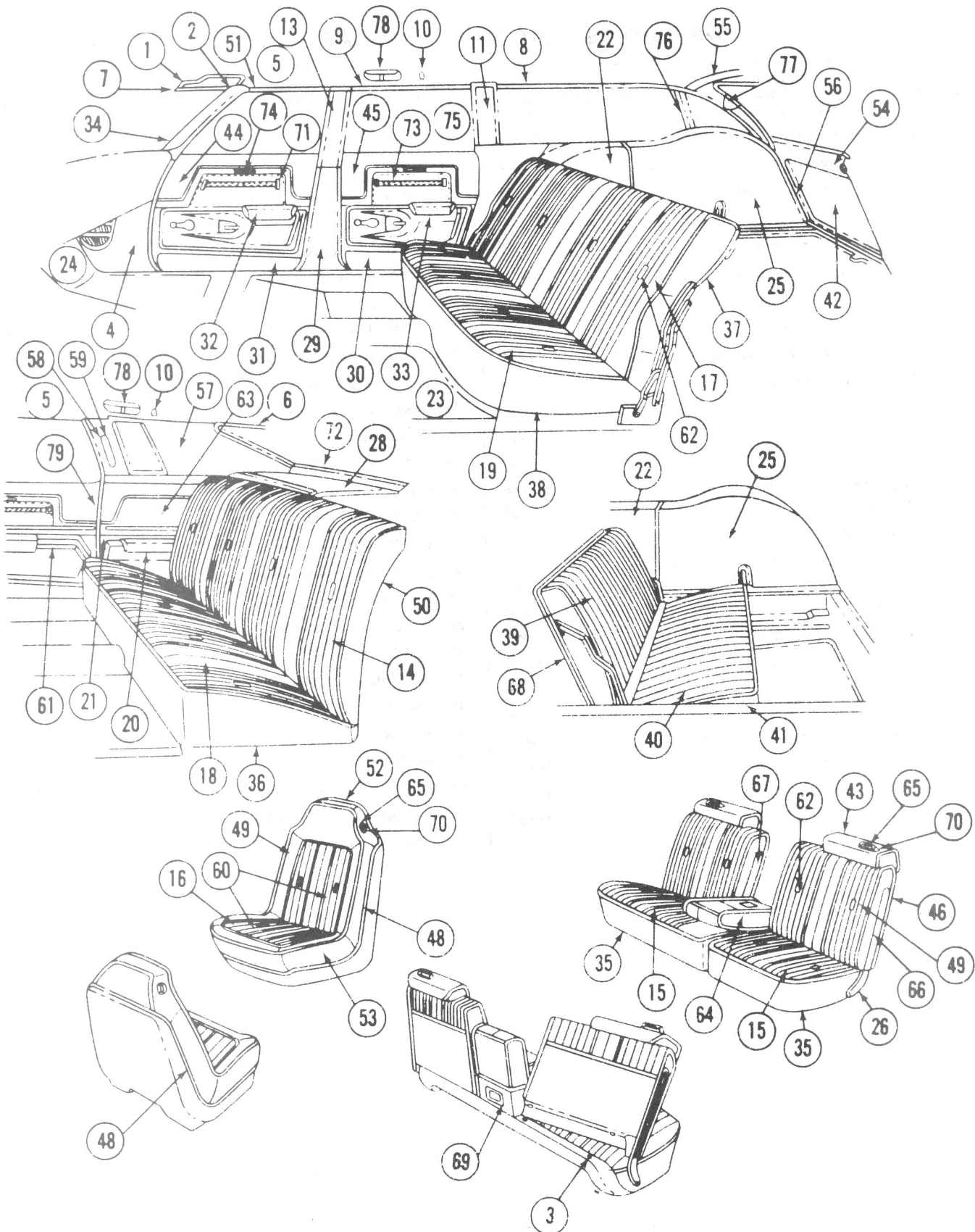
Key	Description	Group
21	SPRING & FRAME, front seat cushion .....	11.419
22	COVER, p/d st. bk. ....	14.800
23	CARPET, rr. flr. ....	15.306
24	CARPET, frt. plr. ....	15.286
25	PANEL, rear, qtr. a/rest trim fin. pnl. ....	15.108
26	PAD, rear, qtr. a/rest trim fin. pnl. ....	15.108
27	PANEL, shroud sd. fin. ....	14.630
28	MOLDING, garn. w/s sd. ....	10.051
29	TRIM, f/d upr. ....	14.685
30	PANEL, f/d lwr. trim fin. ....	14.685
31	PAD ASSY., f/d a/rest lwr. tr. fin. pnl. ....	14.686
32	PAD, rear quarter trim .....	15.100
33	MOLDING, bk. wdo. garn. ....	11.120
34	COVER, p/d st. bk. otr. hge. ....	11.375
35	TRAY ASSY., f/d arm rest ash .....	12.045
36	MOLDING, st. bk. panel finishing .....	14.818
37	COVER, retractor shoulder strap .....	14.875
38	GUIDE, p/d st. bk. shoulder strap .....	14.875
39	ESCUTCHEON, p/d st. bk. shoulder strap .....	14.875
40	PANEL, p/d st. bk. fin. ....	11.358
41	COVER, p/d seat cush. ....	14.880
42	SEAT, complete p/d less trim .....	N.S.
43	ESCUTCHEON, f/d pull strap .....	14.691
44	STRAP, f/d pull .....	14.691



1975 CUTLASS INTERIOR TRIM (AF37-AG29)

## 1975 CUTLASS INTERIOR TRIM (AF37-AG29)

Key	Description	Group	Key	Description	Group
1	MOLDING, garn, w/s upr. ....	10.051	25	COVER, p/d st. bk. ....	14.800
2	SUNSHADE, trimmed ....	10.203	26	CARPET, rr. flr. ....	15.306
3	SUPPORT, sunshade ....	10.219	27	CARPET, frt. flr. ....	15.286
4	MOLDING, roof, inr. sd. frt. ....	14.651	28	PANEL, rear qtr. a/rest trim ....	15.108
5	COVER, c/plr. upr. ....	14.730	29	PAD, rear qtr. a/rest trim fin. pnl. ....	15.108
6	MOLDING, roof inr. side rr. ....	14.651	30	PANEL, shroud sd. fin. ....	14.630
7	MOLDING, rear qtr. wdo. garn. ....	11.119	31	MOLDING, garn. w/s sd. ....	10.051
8	PANEL, rear, qtr. inr. fin. ....	15.101	32	TRIM, f/d upr. ....	14.685
9	MOLDING, garn. b/w ....	11.120	33	PANEL, f/d lwr. trim fin. ....	14.685
10	FOUNDATION & TRIM, rear compartment shelf ....	15.024	34	PAD ASSY., f/d a/rest lwr. tr. fin. pnl. ....	14.686
11	MOLDING, qtr. wdo. garn. ....	11.119	35	COVER, c/plr. lwr. ....	14.730
12	HOOK, coat ....	15.388	36	PANEL, r/d, trim fin. ....	14.760
13	MOLDING, qtr. wdo. garn. ....	11.119	37	TRIM, r/d upr. ....	14.760
14	COVER, rr. st. bk. ....	15.000	38	PAD, r/d a/rest lwr. tr. fin. pnl. ....	14.762
15	FRAME ASSY., r/seat bk. ....	11.628	39	COVER, shoulder strap retractor ....	14.875
	PAD, r/seat bk. ....	15.002	40	COVER, p/d st. bk. otr. hge. ....	11.375
16	COVER, rr. st. cush. ....	15.035	41	ESCUTCHEON, w/s upr. cor. mldg. (for 37 style only) ..	10.051
17	SPRING & FRAME ASSY., r/st. cushion ....	11.610	42	PANEL, rear quarter inner ....	12.941
	PAD, r/st. cush. ....	15.036	43	PAD, rear quarter trim ....	15.100
18	HEADLINING ....	14.640	44	BUTTON, seat bk. trim ....	14.804
19	COVER, p/d st. bk. h/rest ....	14.924	45	GUIDE, p/d st. bk. shoulder strap ....	14.875
20	PANEL, f/st. bk. ....	11.373	46	ESCUTCHEON, shoulder strap p/d st. bk. ....	14.875
	PAD, f/st. bk. ....	14.802	47	MOLDING, trim pad f/d ....	14.691
21	COVER, frt. st. bk. ....	14.800	48	MOLDING, r/d trim pad ....	14.764
22	SPRING & FRAME ASSY., f/st. cush. ....	11.419	49	EMBLEM ASSY., door trim pad ....	14.691
23	COVER, frt. st. cush. ....	14.880	50	MOLDING, qtr. wdo. garn. ....	11.119
24	PANEL, p/d bk. ....	11.373	51	TRAY ASSY., f/d arm rest ash ....	12.045
	PAD, p/d st. bk. ....	14.802	52	MOLDING, bk. wdo. garn. ....	11.120



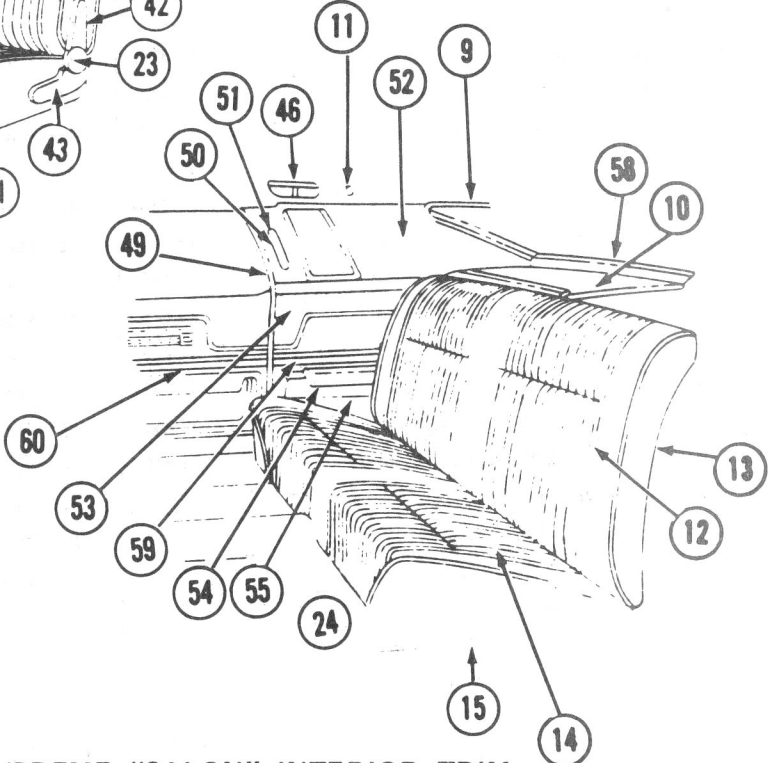
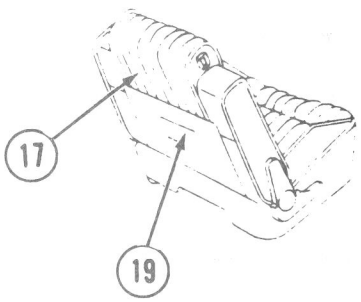
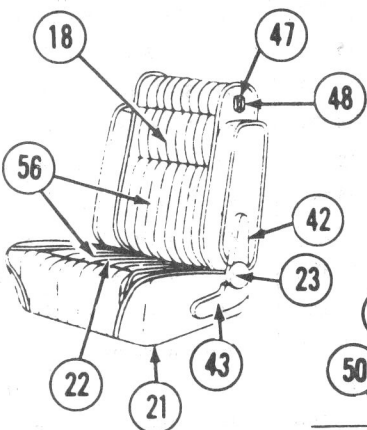
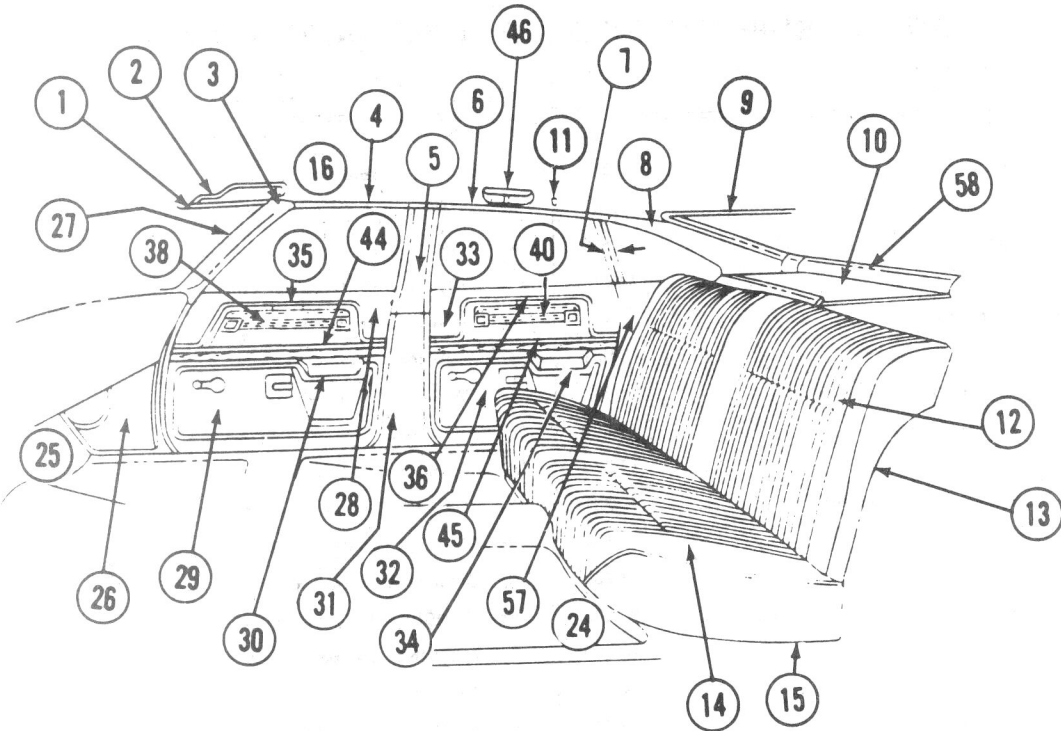
1975 CUTLASS SUPREME INTERIOR TRIM (AJ29-35-57, AH35)



**1975 CUTLASS SUPREME INTERIOR TRIM (AJ29-35-57, AH35)**

Key	Description	Group
1	SUNSHADE, trimmed	10.203
2	SUPPORT, sunshade	10.219
3	BUMPER, frt. st. bk. frm.	11.381
4	PANEL, shroud side fin.	14.630
5	HEADLINING	14.640
6	MOLDING, b/w garn. upr.	11.120
7	MOLDING, garn. w/s upr.	10.051
8	MOLDING, roof inr. sd. rr.	14.651
9	MOLDING, roof inr. side center	14.651
10	HOOK, coat	15.388
11	COVER ASSY., bdy. lk. plr. above blt.	10.721
12	MOLDING, roof inr. si. frt.	14.651
13	COVER, c/plr.	14.730
14	COVER, rr. st. bk.	15.000
15	COVER, frt. st. cush.	14.880
16	COVER, p/d seat cush.	14.880
17	COVER, second st. back	15.000
18	COVER, rr. st. cush.	15.035
19	COVER, 2nd st. cush.	15.035
20	PAD, rear quarter a/rest trim fin. pnl.	15.108
21	PANEL, rear qtr. a/rest trim	15.108
22	PANEL, w/h cvr.	12.944
23	CARPET, r/flr.	15.306
24	CARPET, r/flr.	15.286
25	PANEL, spa. tire cvr.	12.579
26	COVER, p/d st. bk. otr. hge.	11.375
27	MOLDING, bk. bdy. plr. fin. upr.	12.180
28		15.024
29	COVER, c/plr.	14.730
30	PANEL, f/d tr. fin.	14.760
31	PANEL, f/ tr. fin.	14.685
32	PAD, f/d a/rest lwr. tr. fin. pnl.	14.686
33	PAD, r/d a/rest wr. tr. fin. pnl.	14.762
34	MOLDING, garn. w/s side	10.051
35	SPRING & FRAME ASSY., f/st. cushion	11.419
36	SPRING & FRAME ASSY., r/seat cushion	11.610
37	FRAME ASSY., 2nd st. bk.	11.628
38	SPRING & FRAME, 2nd st. cush.	11.610
39	COVER, 3rd st. bk.	15.060
40	COVER, 3rd st. cush.	15.070

Key	Description	Group
41	SPRING & FRAME, 3rd st. cush.	11.610
42	PANEL, t/gate inr. cvr.	12.195
43	COVER, p/d h/rest st. bk.	14.924
44	TRIM, f/d upr.	14.685
45	TRIM, r/d upr.	14.760
46	PANEL, p/d st. bk.	11.373
47	MOLDING, t/gate wdo. garn.	12.180
48	PANEL, p/d st. bk.	11.358
49	COVER, p/ st. bk.	14.800
50	FRAME & SPRING, r/st. bk.	11.628
51	ESCUTCHEON, w/s upr. cor. mldg. (57 style only)	10.051
52	FRAME & SPRING, p/d seat back	11.373
53	SPRING & FRAME, p/d st. cush.	11.419
54	HANDLE ASSY., pull t/s t/gate	12.242
55	MOLDING, bk. bdy. opng. upr. fin.	12.180
56	MOLDING, back bdy. pillar lwr. fin.	12.180
57	PANEL, rear qtr. upper/abv. belt trim fin.	14.645
58	LENS, qtr. corner lamp	11.928
59	REFLECTOR, qtr. corner lamp	11.927
60	SEAT, complete p/d less trim	N.S.
61	TRAY ASSY., t/d arm rest ash	12.045
62	BUTTON, seat frt. & rr.	14.804
63	TRIM, qtr. upr.	15.100
64	COVER, f/st ctr. a/rest	14.900
65	GUIDE, p/d st. bk. shoulder strap	14.875
66	PANEL, seat side	11.358
67	PANEL, p/d st. bk. side inr. trim	11.358
68	FOUNDATION, 3rd st. back formed	11.628
69	COVER, p/d st. a/rest trim fin. pnl.	14.900
70	ESCUTCHEON, shoulder strap p/d st. bk.	14.875
71	STRAP, f/d pull	14.691
72	MOLDING, bk. wdo. garn. lwr.	11.120
73	STRAP, r/d pull	14.764
74	EMBLEM, trim pad f/d	14.691
75	EMBLEM, trim pad r/d	14.764
76	MOLDING, rear quarter window garnish—vent	11.119
77	FILLER, bk. bdy. opng.	12.968
78	COVER, shoulder strap retractor	14.875
79	MOLDING, bdy. lk. plr. pinched fin.	14.731



1975 CUTLASS SUPREME "SALON" INTERIOR TRIM  
(AJ29-57)

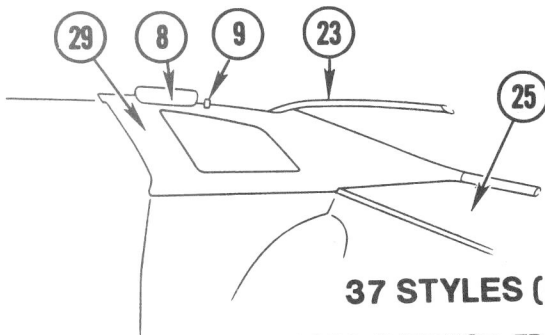
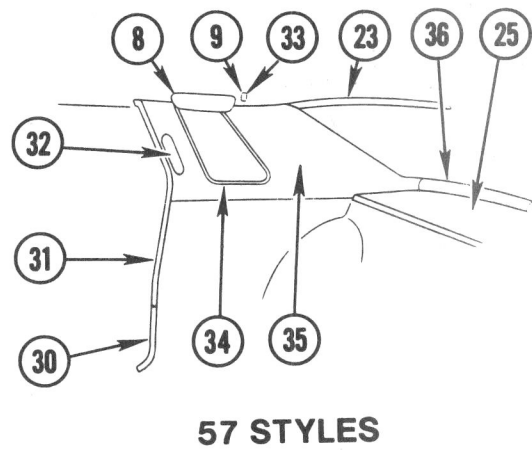
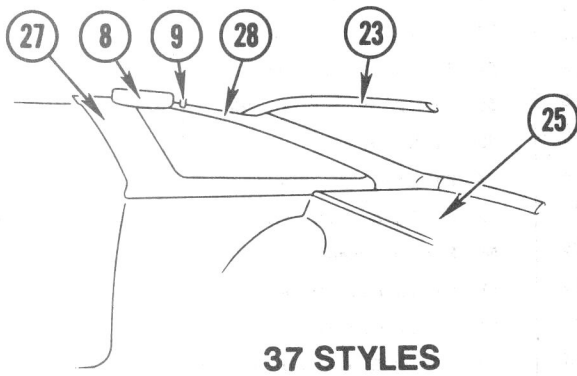
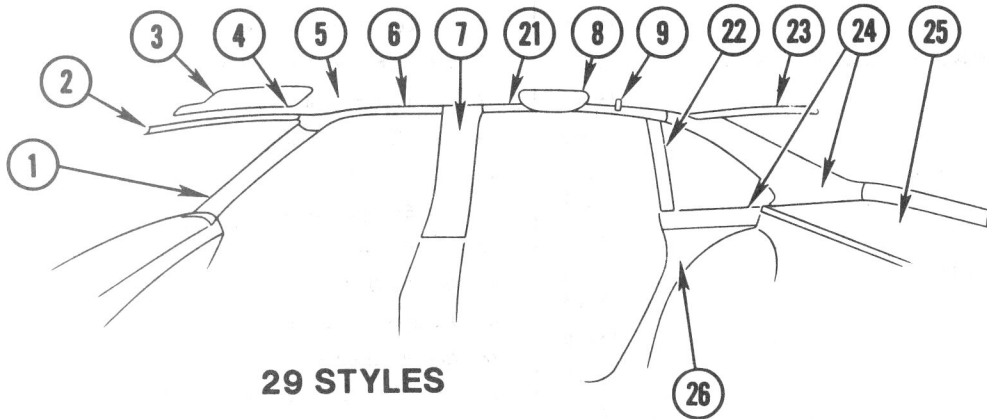
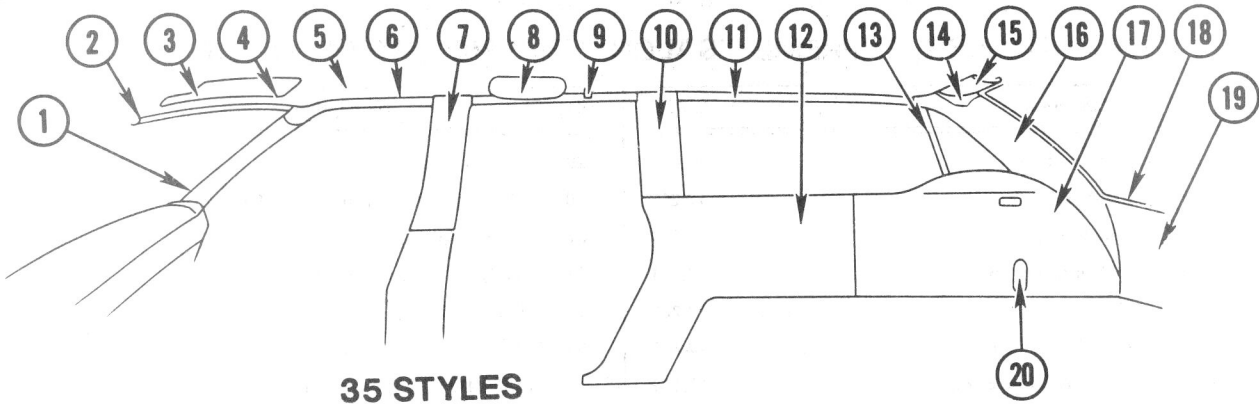


**1975 CUTLASS SUPREME "SALON" INTERIOR TRIM (AJ29-57)**

Key	Description	Group
1	MOLDING, garn. w/s upr. ....	10.051
2	SUNSHADE, trimmed ....	10.203
3	SUPPORT, sunshade ....	10.219
4	MOLDING, roof inr. sd. frt. ....	14.651
5	COVER, c/plr. ....	14.730
6	MOLDING, roof inr. sd. rr. ....	14.651
7	MOLDING, rear qtr. wdo. garn. ....	11.119
8	PANEL, fin. qtr. inr. upr. ....	15.101
9	MOLDING, b/w garn. ....	11.120
10	FOUNDATION & TRIM, rear compartment shelf ....	15.024
11	HOOK, coat ....	15.388
12	COVER, rr. st. bk. ....	15.000
13	FRAME & SPRING, r/st. bk. ....	11.628
	PAD, r/st. bk. ....	15.002
14	COVER, r/st. cush. ....	15.035
15	SPRING & FRAME ASSY., r/st. btm. ....	11.610
	PAD, r/st. cush. ....	15.036
16	HEADLINING ....	14.640
17	PANEL, p/d st. bk. ....	11.358
18	COVER, p/d st. bk. ....	14.800
19	TRAY ASH ASSY., f/st. bk. ....	12.030
20	FRAME ASSY., p/d st. bk. ....	11.373
	PAD, p/d st. bk. wire ....	14.802
21	SPRING & FRAME ASSY., p/d st. cush. ....	11.419
	PAD, p/d st. cush. ....	14.890
22	COVER, p/d cush. ....	14.880
23	KNOB, p/st. adj. ....	11.588
24	CARPET, rear flr. ....	15.306
25	CARPET, frt. flr. ....	15.286
26	PANEL, shroud sd. fin. ....	14.630
27	MOLDING, garn. w/s sd. ....	10.051
28	TRIM, f/d upr. ....	14.685

Key	Description	Group
29	PANEL, f/d trim fin. ....	14.685
30	PAD ASSY., f/d a/rest lwr. tr. fin. pnl. ....	14.686
31	COVER, c/plr. ....	14.730
32	PANEL, front door trim fin. ....	14.760
33	TRIM, r/d upr. ....	14.760
34	PAD, r/d a/rest lwr. tr. fin. pnl. ....	14.762
35	PLATE NAME ASSY., f/d trim pad ....	14.691
36	PLATE NAME ASSY., r/d trim pad ....	14.764
37	PANEL, fin. qtr. inr. lwr. ....	12.941
38	ESCUTCHEON, f/d pull strap ....	14.691
39	STRAP, f/d pull ....	14.691
40	ESCUTCHEON, r/d pull strap ....	14.764
41	STRAP, r/d pull ....	14.764
42	COVER, upr. otr. hge. arm ....	11.375
43	COVER, lwr. otr. hge. arm ....	11.375
44	MOLDING, f/d trim pad ....	14.691
45	MOLDING, r/d trim pad ....	14.764
46	COVER, shoulder strap retractor ....	14.875
47	GUIDE, p/d st. bk. shoulder strap ....	14.875
48	ESCUTCHEON, p/d st. bk. shoulder strap ....	14.875
49	MOLDING, bdy. lk. plr. pinched fin. ....	14.731
50	LENS, qtr. corner lamp ....	11.928
51	REFLECTOR, qtr. corner lamp ....	11.927
52	PANEL, rear qtr. upr. trim fin. above belt ....	14.645
53	TRIM, qtr. upr. ....	15.100
54	PAD, rear qtr. a/rest trim fin. pnl. ....	15.108
55	PANEL, rear qtr. a/rest trim ....	15.108
56	SEAT, complete p/d (less trim) ....	N.S.
57	PANEL, rear qtr. inr. fin. ....	15.101
58	MOLDING, garn. bk. wdo. lwr. ....	11.120
59	MOLDING, rear qtr. trim pad ....	15.101
60	TRAY ASSY., f/d arm rest ash ....	12.045





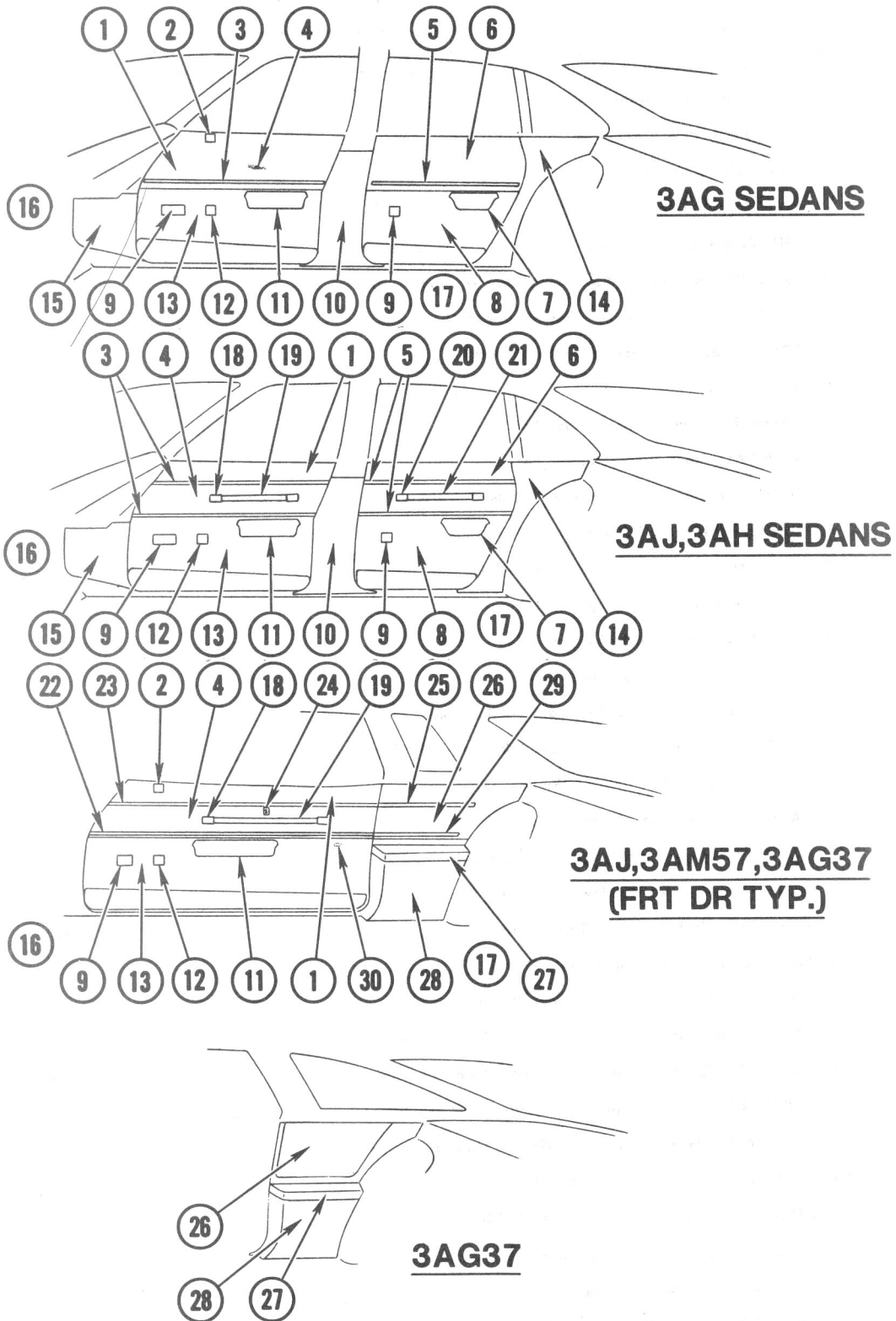
**1976 INTERIOR TRIM (Above Belt)**





### 1976 INTERIOR TRIM (Above Belt)

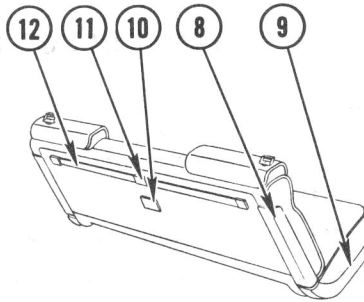
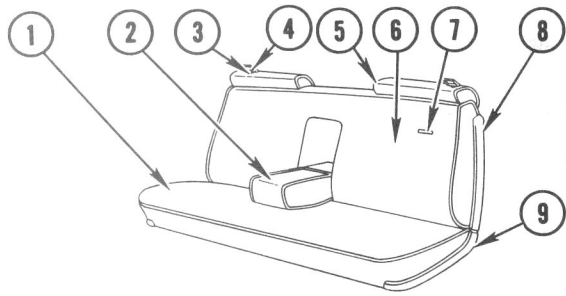
Item	Description	Group
1	MOULDING, W/S Garnish — Side .....	10.051
2	MOULDING, W/S Garnish — Upper .....	10.051
3	SUNSHADE ASSEMBLY .....	10.203
4	SUPPORT, Sunshade .....	10.219
5	TRIM ASSEMBLY, Headlining .....	14.640
6	MOULDING ASSEMBLY, Roof Inner Side — Front .....	14.651
7	COVER ASSEMBLY, Centre Pillar — Upper .....	14.730
8	COVER ASSEMBLY, Shoulder Strap Retractor .....	14.875
9	HOOK, Coat .....	15.383
10	COVER, Body Lock Pillar — Above Belt .....	14.731
11	MOULDING, Roof Inner Side — Rear .....	14.651
12	PANEL, Wheelhouse Cover — R.H. Side .....	12.944
	PANEL, Wheelhouse Outer Front — L.H. Side .....	12.944
13	MOULDING, Quarter Vent Div. Channel Garnish .....	11.119
14	FILLER, Back Body Opening .....	12.968
15	MOULDING, Back Body Opening Upper Finish .....	12.968
16	MOULDING, Back Body Pillar Finish .....	12.180
17	PANEL ASSEMBLY, Spare Tire Cover — R.H. Side .....	12.579
	PANEL ASSEMBLY, Wheelhouse Cover Rear — L.H. Side .....	12.944
18	CHANNEL ASSEMBLY, Tailgate Window Glass .....	12.180
19	PANEL, Tailgate Inner Cover .....	12.195
20	CATCH ASSEMBLY, Spare Tire Cover Panel .....	12.579
22	MOULDING, Quarter Window Front Sash Channel Finish .....	11.119
23	MOULDING, Back Window Garnish Upper .....	11.120
24	PANEL, Quarter Inner Upper Finish .....	15.101
25	TRIM ASSEMBLY, Rear Seat to Back Window .....	15.024
26	PANEL, Quarter Inner Lower Finish Moulding .....	12.941
27	MOULDING, Quarter Stationary Window Front Garnish .....	11.119
28	MOULDING, Quarter Stationary Window Rear Garnish .....	11.119
29	MOULDING, Quarter Stationary Window Garnish (Pontiac Only) .....	11.119
30	MOULDING, Body Lock Pillar Lower Finish .....	14.731
31	MOULDING, Body Lock Pillar Upper Finish .....	14.731
32	REFLECTOR, Quarter Courtesy Lamp .....	11.927
	LENS, Quarter Courtesy Lamp .....	11.928
33	ESCUTCHEON, Coat Hook (57-Style) .....	15.388
34	LACE, Quarter Trim — Above Belt .....	14.650
35	PANEL, Quarter Upper — Above Belt — Trim Finish .....	14.645
36	MOULDING, Back Window Lower Garnish .....	11.120



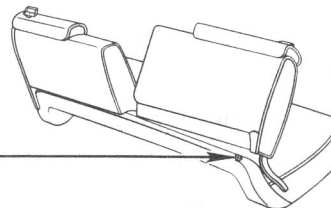
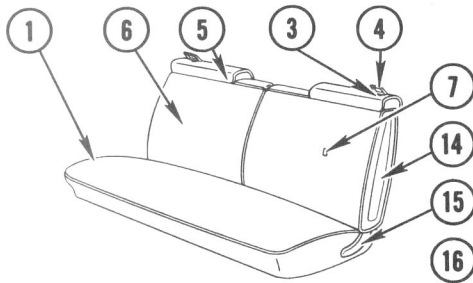
1976 INTERIOR TRIM (Below Belt)

## 1976 INTERIOR TRIM — BELOW BELT

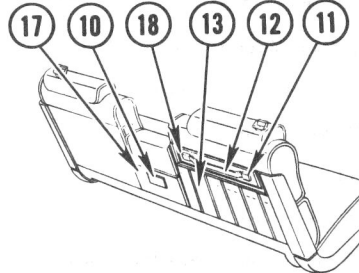
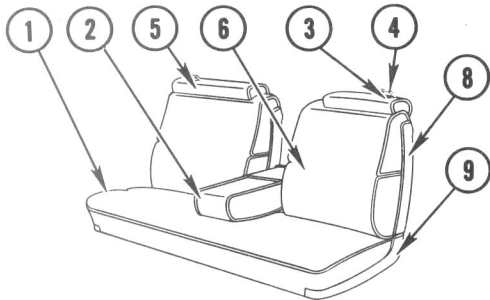
Item	Description	Group
1	TRIM, Front Door Upper .....	14.685
2	ESCUTCHEON, Outside Rear View Mirror Control .....	10.186
3	MOULDING, Front Door Trim Pad — Upper .....	14.691
4	NAME PLATE, Front Door Trim Pad — Upper .....	14.691
5	MOULDING, Rear Door Trim Pad — Upper .....	14.764
6	TRIM, Rear Door Upper .....	14.760
7	PAD, Rear Door Arm Rest .....	14.762
8	TRIM, Rear Door Lower .....	14.760
9	SWITCH & ESCUTCHEON, Electric Front Door Window .....	10.777
10	COVER, Centre Pillar Lower .....	14.730
11	PAD, Front Door Arm Rest .....	14.686
12	SWITCH, Front Door Lock .....	10.485
13	TRIM, Front Door Lower .....	14.685
14	PANEL, Finish Quarter Inner Lower .....	15.101
15	PANEL, Cowl Trim .....	14.630
16	CARPET, Front Floor .....	15.286
17	CARPET, Rear Floor .....	15.306
18	ESCUTCHEON, Front Door Upper Pull Strap .....	14.691
19	STRAP, Front Door Upper Pull .....	14.691
20	ESCUTCHEON, Rear Door Upper Pull Strap .....	14.764
21	STRAP, Rear Door Upper Pull .....	14.764
22	MOULDING, Front Door Trim Pad — Upper .....	14.691
23	MOULDING, Front Door Trim Pad — Lower .....	14.691
24	EMBLEM, Front Door Trim Pad — Upper .....	14.691
25	MOULDING, Rear Quarter Trim Pad — Upper .....	15.101
26	TRIM, Quarter Upper Below Belt .....	15.100
27	PAD, Rear Quarter Arm Rest Finish Panel .....	15.108
28	PANEL, Rear Quarter Arm Rest Trim Finish .....	15.108
29	MOULDING, Rear Quarter Trim Pad — Lower .....	15.101
30	TRAY, Front Door Arm Rest Ash .....	12.045



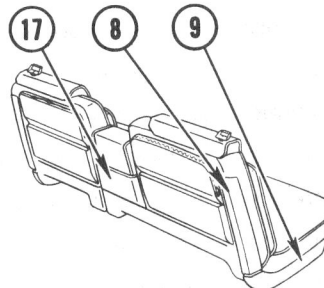
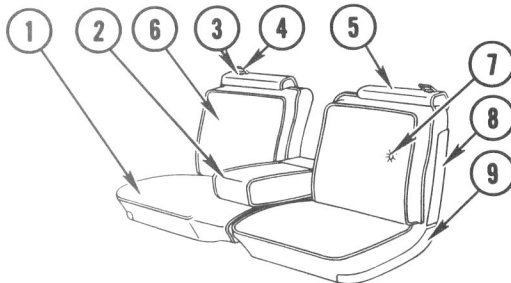
**FRONT SEAT - SEDANS**



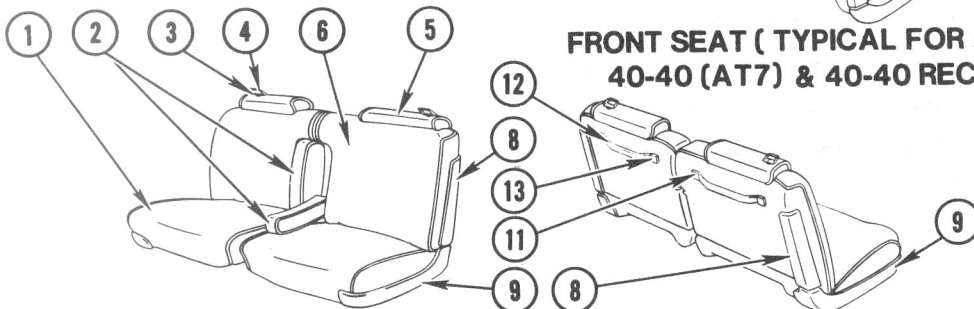
**FRONT SEAT - COUPES**



**FRONT SEAT - SPLIT NOTCHBACK (A65)**



**FRONT SEAT ( TYPICAL FOR 60-40 (AM6),  
40-40 (AT7) & 40-40 RECLINING (AN5)**



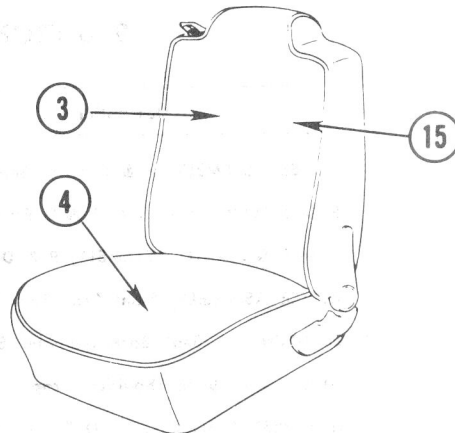
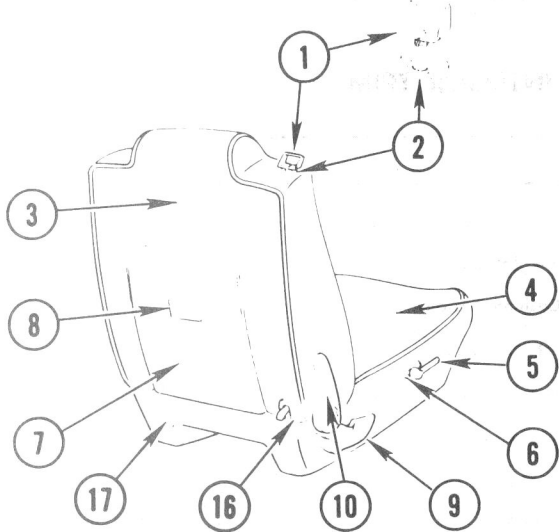
**FRONT SEAT ( TYPICAL FOR 50-50 ADJ PASS. RECLINING  
(AT8) & 50-50 EXC. PASS. RECLINING (AV7)**

**1976 FRONT SEAT INTERIOR TRIM**

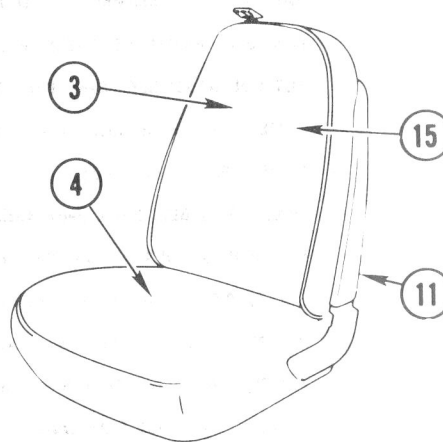
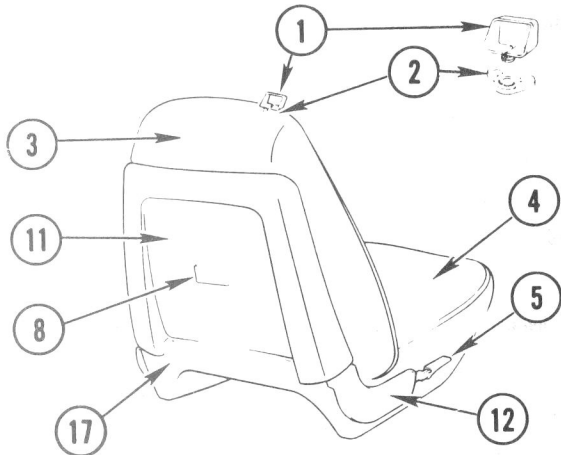


## 1976 FRONT SEAT INTERIOR TRIM

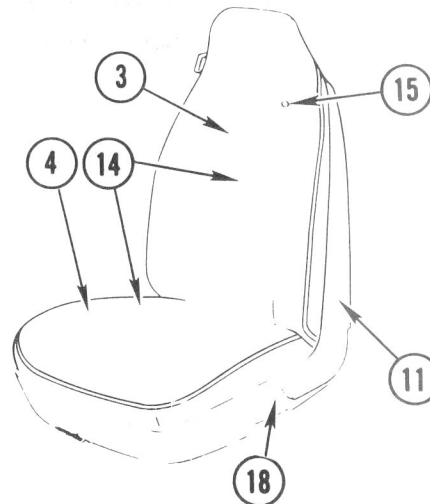
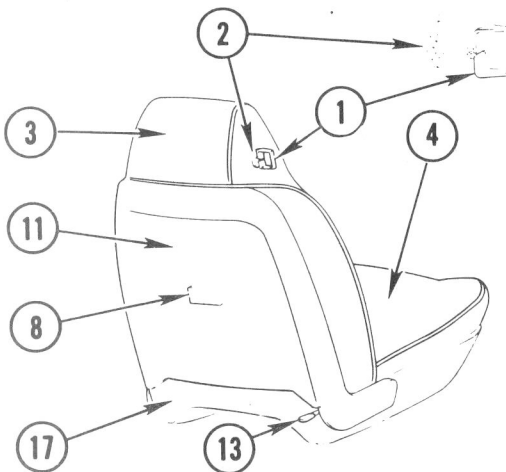
Item	Description	Group
1	COVER ASSEMBLY, P & D Front Seat Cushion .....	14.880
	PAD & WIRE ASSEMBLY, P & D Front Seat Cushion Bottom .....	14.880
	FRAME & SPRING ASSEMBLY, P & D Front Seat Cushion Bottom .....	11.419
2	COVER ASSEMBLY, Front Seat Back Centre Armrest .....	14.900
3	ESCUTCHEON, Seat Back Shoulder Strap Guide .....	14.875
4	GUIDE, Seat Back Shoulder Strap .....	14.875
5	HEADREST ASSEMBLY, P & D Front Seat Back .....	14.924
	COVER ASSEMBLY, P & D Front Seat Back Head Restraint .....	14.924
6	COVER ASSEMBLY, P & D Front Seat Back .....	14.800
	PAD & WIRE ASSEMBLY, P & D Front Seat Back .....	14.802
	FRAME or PANEL ASSEMBLY, P & D Front Seat Back .....	11.373
7	BUTTON ASSEMBLY, Seat Back Trim .....	14.804
8	PANEL, Front Seat Back Side — Outer .....	11.358
9	PANEL, Front Seat Side .....	11.362
10	TRAY ASSEMBLY, Front Seat Back Ash .....	12.030
11	ESCUTCHEON, P & D Front Seat Back Assist Strap .....	11.898
12	STRAP, P & D Front Seat Back Assist .....	11.898
13	INSERT, P & D Front Seat Back Assist Strap Escutcheon .....	11.898
14	PANEL, P & D Seat Back Side Inner and Outer .....	11.358
	MLDG., Front Seat Side Outer .....	14.818
15	COVER, P & D Seat Back Outer Hinge Arm .....	11.375
16	BUMPER, P & D Seat Back Frame .....	11.381
17	COVER, Front Seat Centre Armrest Trim Finish Panel .....	14.900
18	PANEL ASSEMBLY, P & D Seat Back Side Trim Finish .....	11.358



**EUROPEAN STYLE RECLINING BUCKET SEAT (AR9)**



**PASSENGER RECLINING BUCKET SEAT (AQ9)**

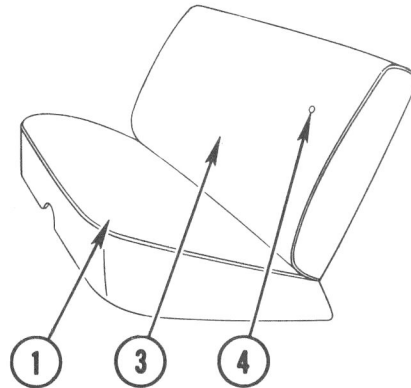
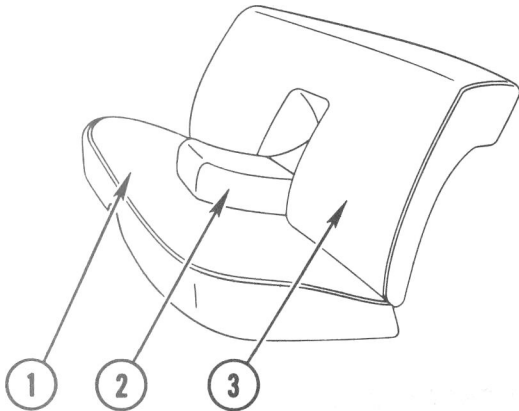


**BUCKET SEAT (TYPICAL)(A5 1& AN7)**

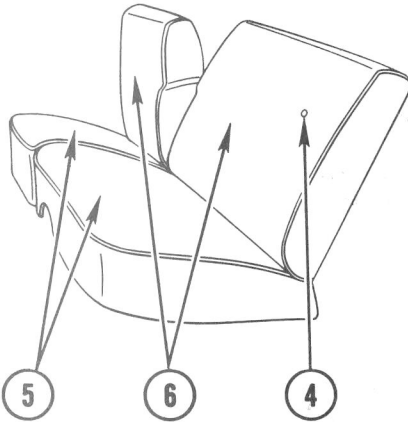
1976 BUCKET SEATS

### 1976 BUCKET SEATS

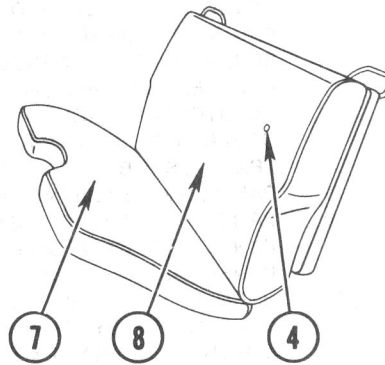
Item	Description	Group
1	GUIDE, P&D Seat Back Shoulder Strap .....	14.875
2	ESCUTCHEON, P&D Seat Back Shoulder Strap Guide .....	14.875
3	COVER ASSEMBLY, P&D Seat Back .....	14.800
	FRAME ASSEMBLY, P&D Seat Back .....	11.373
	PAD & WIRE ASSEMBLY, P&D Seat Back .....	11.358
4	COVER ASSEMBLY, P&D Seat Cushion .....	14.880
	PAD & WIRE ASSEMBLY, P&D Seat Bottom .....	14.890
	SPRING & FRAME ASSEMBLY, P&D Seat Bottom .....	11.419
5	HANDLE, P&D Seat Back Reclining Control .....	11.377
6	ESCUTCHEON, P&D Seat Reclining Control Handle .....	11.390
7	COVER ASSEMBLY, P&D Seat Back Rear Centre .....	14.810
8	TRAY ASSEMBLY, P&D Seat Back Ash .....	12.045
9	PANEL, P&D Reclining Seat Side Lower .....	11.377
10	PANEL, P&D Reclining Seat Side Upper .....	11.377
11	PANEL, Seat Back Upper Finish .....	11.358
12	PANEL, Seat Back Lower .....	11.358
13	HANDLE, Seat Back Lock .....	11.390
14	SEAT ASSEMBLY, Front Bucket — Complete — Use Components .....	N.S.
	COVER ASSEMBLY, P&D Seat Complete (Swivel Seat Only) .....	14.800
15	BUTTON ASSEMBLY, Seat Back Trim .....	14.804
16	ESCUTCHEON, P&D Seat Back Lock .....	11.390
17	COVER, Front Seat Bottom Frame Rear Bar .....	14.810
18	PANEL, Front Seat Bottom (at Rear) — "T" Car Only .....	14.810



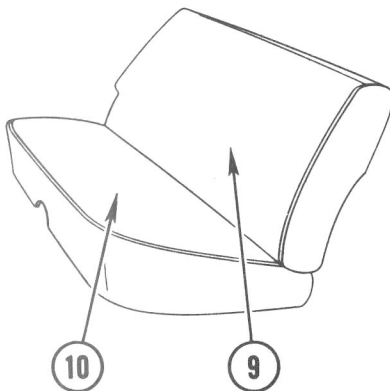
**REAR SEATS WITH & EXCEPT CENTER ARM REST**



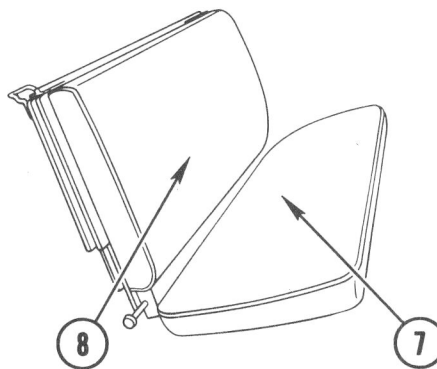
**FOLDING 2ND 1/3RD &  
2/3RD SEATS**



**FOLDING 3RD SEAT  
("B" WAGONS)**



**FOLDING 2ND SEAT**



**FOLDING 3RD SEAT  
("A" WAGONS)**

**1976 REAR 2nd AND 3rd SEAT**



## 1976 REAR SEAT, FOLDING 2nd AND 3rd SEAT

Item	Description	Group
1	COVER ASSEMBLY, Rear Seat Cushion .....	15.035
	SPRING & FRAME ASSEMBLY, Rear Seat Bottom .....	11.628
	PAD ASSEMBLY, Rear Seat Bottom .....	15.036
2	COVER ASSEMBLY, Rear Back Centre Arm Rest .....	15.040
3	FOUNDATION OR FRAME ASSEMBLY, Rear Seat Back Formed .....	11.628
	COVER ASSEMBLY, Rear Seat Back .....	15.000
	PAD & WIRE ASSEMBLY, Rear Seat Back .....	15.002
4	BUTTON ASSEMBLY, Seat Back Trim .....	14.804
5	COVER ASSEMBLY, Fldg. 2nd $\frac{1}{3}$ or $\frac{2}{3}$ Seat Cushion .....	15.035
	SPRING & FRAME ASSEMBLY, Fldg. 2nd $\frac{1}{3}$ or $\frac{2}{3}$ Seat .....	11.610
	PAD ASSEMBLY, Fldg. 2nd $\frac{1}{3}$ or $\frac{2}{3}$ Seat Bottom .....	15.036
6	COVER ASSEMBLY, Fldg. 2nd $\frac{1}{3}$ or $\frac{2}{3}$ Seat Back .....	15.000
	FRAME ASSEMBLY, Fldg. 2nd $\frac{1}{3}$ or $\frac{2}{3}$ Seat Back .....	11.628
	PAD ASSEMBLY, Fldg. 2nd $\frac{1}{3}$ or $\frac{2}{3}$ Seat Back .....	15.002
7	SPRING & FRAME ASSEMBLY, Fldg. 3rd Seat Cushion .....	11.610
	PAD & WIRE ASSEMBLY, Fldg. 3rd Seat Cushion .....	15.036
	COVER ASSEMBLY, Fldg. 3rd Seat Cushion .....	15.070
8	COVER ASSEMBLY, Fldg. 3rd Seat Back .....	15.060
	FOUNDATION, Fldg. 3rd Seat Back .....	11.628
	PAD ASSEMBLY, Fldg. 3rd Seat Back .....	15.002
9	COVER ASSEMBLY, Fldg. 2nd Seat Back .....	15.000
	FRAME ASSEMBLY, Fldg. 2nd Seat Back .....	11.628
	PAD ASSEMBLY, Fldg. 2nd Seat Back .....	15.002
10	COVER ASSEMBLY, Fldg. 2nd Seat Cushion .....	15.035
	FRAME ASSEMBLY, Fldg. 2nd Seat Cushion .....	11.610
	PAD ASSEMBLY, Fldg. 2nd Seat Cushion .....	15.036